

## REPAIR SHEET

BRAND

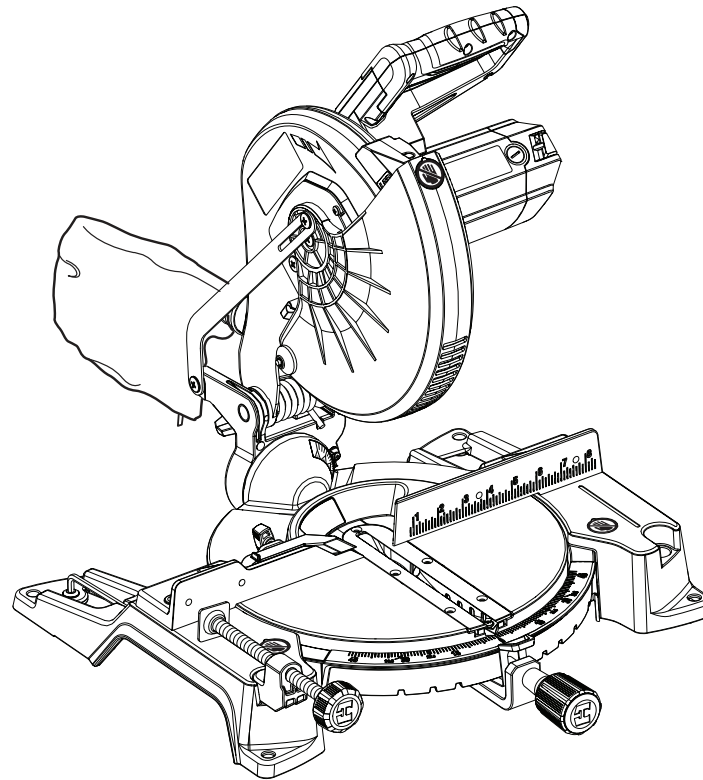
**HART**

MODEL NO.

**HTMS33**

DESCRIPTION

**10 in. Compound Miter Saw**



**HART CONSUMER PRODUCTS, INC.**

P.O. Box 1348, Anderson, SC 29622 ■ 1-800-776-5191 ■ [www.HARTtools.com](http://www.HARTtools.com)

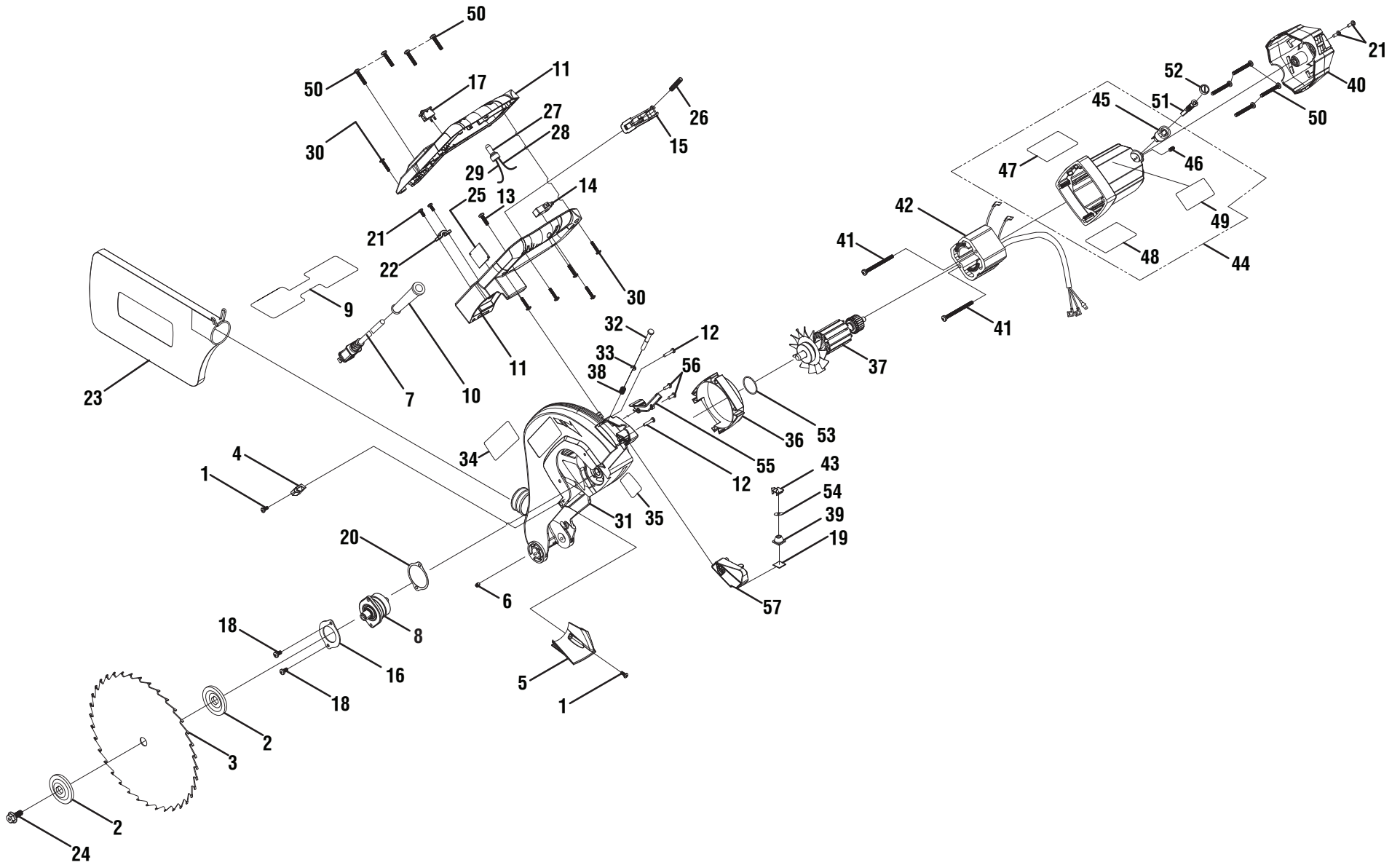
2-22-21 (Rev:02)

*The model number and manufacturing location will be found on a label attached to the product. Always mention this information in all communications regarding this product and when ordering parts.*



HTMS33

FIGURE A





# HTMS33

## PARTS LIST – FIGURE A

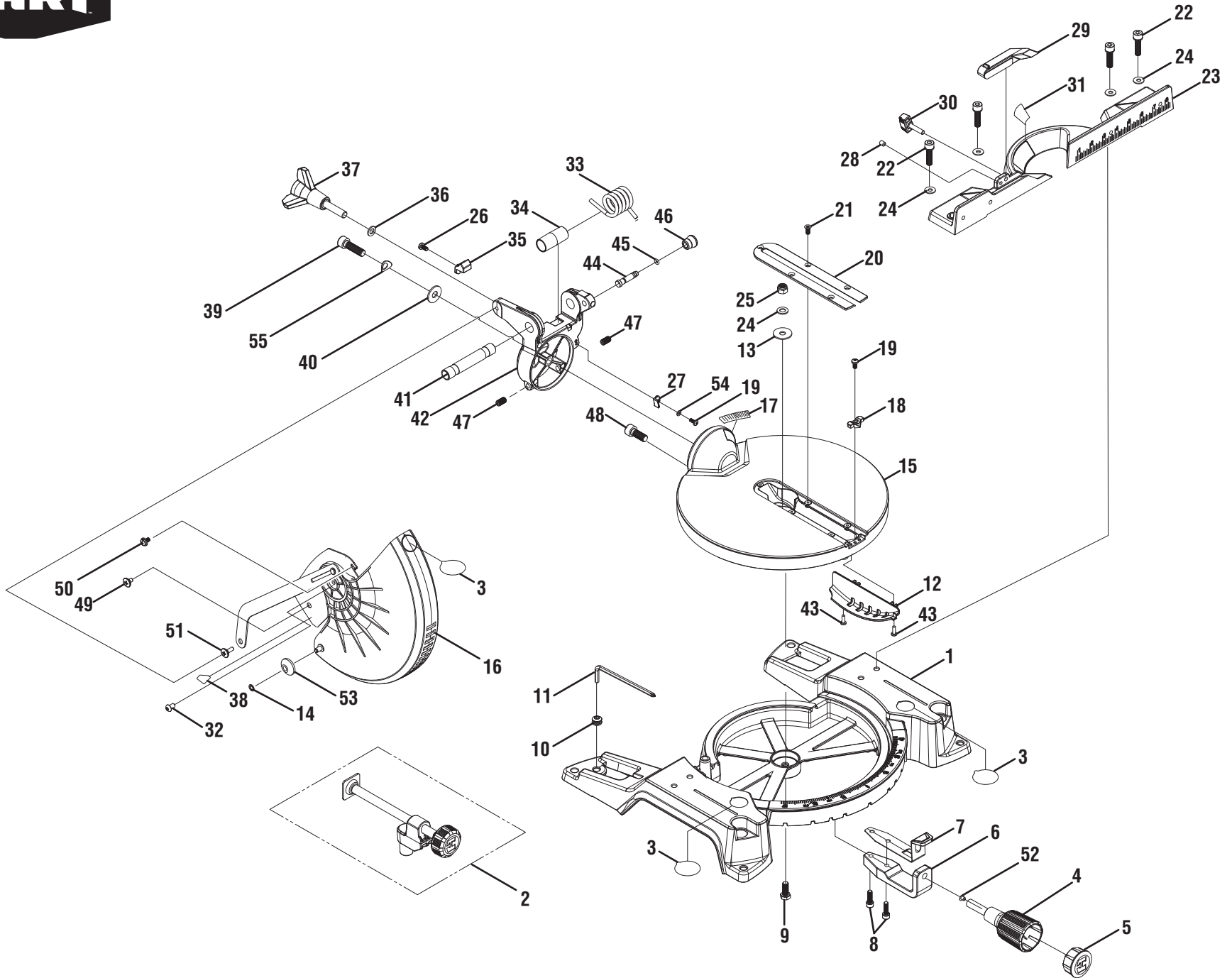
KEY NO.	PART NO.	DESCRIPTION	QTY.
1	089006017015	Screw (M4 x 12 mm, Pan Hd.)	1
2	089006017043	Blade Washer (4.5t)	2
3	089240059907	Blade (10 in. x 5/8 in. x 24T)	1
4	089006017117	Lower Guard Stop Block	1
5	089006017046	Dust Cover	1
6	089006017047	Set Screw (M5 x 8 mm)	2
7	089041013022	Power Cord Assembly (Inc. Key No. 9)	1
8	089006017704	Arbor Assembly	1
9	089240022912	Cord Wrap Warning Label	1
10	089006017049	Bend Relief	1
11	089240059708	Handle Assembly	1
12	089006017051	Screw (M4 x 16 mm, Pan Hd.)	2
13	089006017057	Screw (M5 x 20 mm, Pan Hd.)	1
14	089006017053	Main Switch	1
15	089240059709	Trigger Assembly	1
16	089006017101	Bearing Plate (1.5t)	1
17	089006017056	LED Switch	1
18	089006017107	Screw (M5 x 20 mm, Pan Hd.)	2
19	089041013008	LED Lens	1
20	089006017108	Gasket	1
21	089006017061	Screw (M4 x 12 mm, Round Hd.)	4
22	089006017062	Cord Clamp	1
23	089240059905	Dust Bag	1
24	089006017064	Blade Bolt (M8 x 20 mm, Left Hand Threads)	1
25	089240022008	LED Transformer	1
26	089240031027	Compression Spring (Trigger)	1
27	089240031015	Wire Connector	1
28	089240031031	Switch Wire (150 mm)	1
29	089240031017	Switch Wire (330 mm)	1
30	089240059018	Screw (M4 x 15 mm, Pan Hd.)	6

KEY NO.	PART NO.	DESCRIPTION	QTY.
31	089240059706	Upper Guard Assembly (Inc. Key Nos. 34-35)	1
32	089006017102	Pin (D10 x 50 mm)	1
33	089006017104	E-Ring	1
34	089240059904	Logo Label (Large)	1
35	080006014908	Cap Warning Label	1
36	089006017084	Baffle	1
37	089006017710	Armature Assembly	1
38	089006017103	Compression Spring (D0.5 x 13)	1
39	089240022004	Collimator	1
40	089240059908	End Cap (Motor)	1
41	089006017087	Screw w/Washer (M5 x 65 mm, Pan Hd.)	2
42	089006017702	Field Assembly	1
43	089240031026	Collimator Insulator	1
44	089240059707	Motor Housing Assembly (Inc. Key Nos. 45-49)	1
45	089006017091	Brush Holder	2
46	089240031020	Set Screw (M4 x 8 mm)	2
47	089240059903	Data Label	1
48	089240059901	Motor Warning Label	1
49	089240059902	Logo Label (Motor)	1
50	089006017089	Screw w/Washer (M5 x 40 mm)	8
51	089006017092	Brush	2
52	089006017093	Brush Cap	2
53	089006017094	O-Ring (D29.78 x D1.78 mm)	1
54	089240022005	LED	1
55	089240059020	Wire Cap	1
56	089041013006	Screw (M4 x 10 mm)	2
57	089240059021	LED Cap	1
	<b>Not Shown:</b>		
	995000874	Operator's Manual (089240059911)	



HTMS33

FIGURE B



**HTMS33****PARTS LIST – FIGURE B**

KEY NO.	PART NO.	DESCRIPTION	QTY.
1	089240059704	Base Assembly (Inc. Key No. 3)	1
2	089240059703	Base Clamp Assembly	1
3	089240059909	No Hands Label	3
4	089240059002	Miter Lock Handle	1
5	089240059003	Miter Lock Handle Cap	1
6	089240049006	Miter Lock Support	1
7	089240059004	Miter Detent Spring	1
8	089240049005	Screw w/Washer (M6 x 30 mm, Hex Socket Hd. )	2
9	089006017007	Bolt (M8 x 20 mm, Hex Hd.)	1
10	089006017008	Grommet (Hex Key Holder)	1
11	089006017009	Wrench w/Screw Driver (5 mm)	1
12	089240031006	Blade Barrier	1
13	089240059025	Washer (D8.25 x D21.9 x 1.5t)	1
14	089006017077	Retaining Ring (D5)	1
15	089240059705	Table Assembly (Inc. Key No. 17)	1
16	089240059701	Lower Guard Assembly (Inc. Key Nos. 3, 14, 38 & 56)	1
17	089240059906	Bevel Scale	1
18	089240059006	Miter Indicator	1
19	089006017015	Screw (M4 x 12 mm, Pan Hd.)	2
20	089240059007	Throat Plate	1
21	089006017017	Screw (M4 x 8 mm, Flat Hd.)	5
22	089006017018	Screw w/Washer (M8 x 30 mm, Hex Socket Hd.)	4
23	089240059710	Fence Assembly (Inc. Key Nos. 22, 24 & 28-31)	1
24	089006017020	Washer (D8 x D16 x 1.5t)	5
25	089006017021	Lock Nut (M8)	1
26	089006017022	Screw (M5 x 12 mm, Pan Hd.)	1
27	089240059009	Bevel Indicator	1
28	089240031023	Set Screw (M6 x 12 mm)	1

KEY NO.	PART NO.	DESCRIPTION	QTY.
29	089240059010	Sliding Fence	1
30	089240059011	Miter Lock Knob	1
31	089240031902	Sliding Fence Warning Label	1
32	080016005107	Screw (M6 x 16 mm, Pan Hd.)	1
33	089006017029	Main Torsion Spring	1
34	089006017030	Knuckle Shaft Spring Spacer	1
35	089006017031	Positioning Block	1
36	089006017032	Washer (D8 x D16 x 2t)	1
37	089240059012	Bevel Lock Knob	1
38	089100207051	Screw Direction Label	1
39	089006017034	Screw (M10 x 40 mm, Hex Socket Hd.)	1
40	089006017035	Washer (D10 x D26 x D2t)	1
41	089006017036	Knuckle Shaft ( D16 x 95 mm)	1
42	089041009710	Knuckle Assembly (Inc. Key Nos. 44-46)	1
43	089041013006	Screw (M4 x 10 mm, Pan Hd.)	2
44	089006017026	Upper Guard Lock Pin (D10 x 39 mm)	1
45	089006017027	O-Ring	1
46	089006017116	Upper Guard Lock Pin Knob	1
47	089006017119	Set Screw (M6 x 28 mm)	2
48	089006017039	Hex Socket Screw (M10 x 10 mm)	1
49	089006017040	Screw (M5, Round Hd.)	1
50	089006017041	Screw (M4 x 10 mm, Truss Hd.)	1
51	089006017042	Screw (M6, Round Hd.)	1
52	089006017004	Lock Bushing	1
53	089006017076	Lower Guard Wheel	1
54	089006017066	Washer (D4 x D8 X 1T)	1
55	089006017068	Arc Washer (D10)	1

