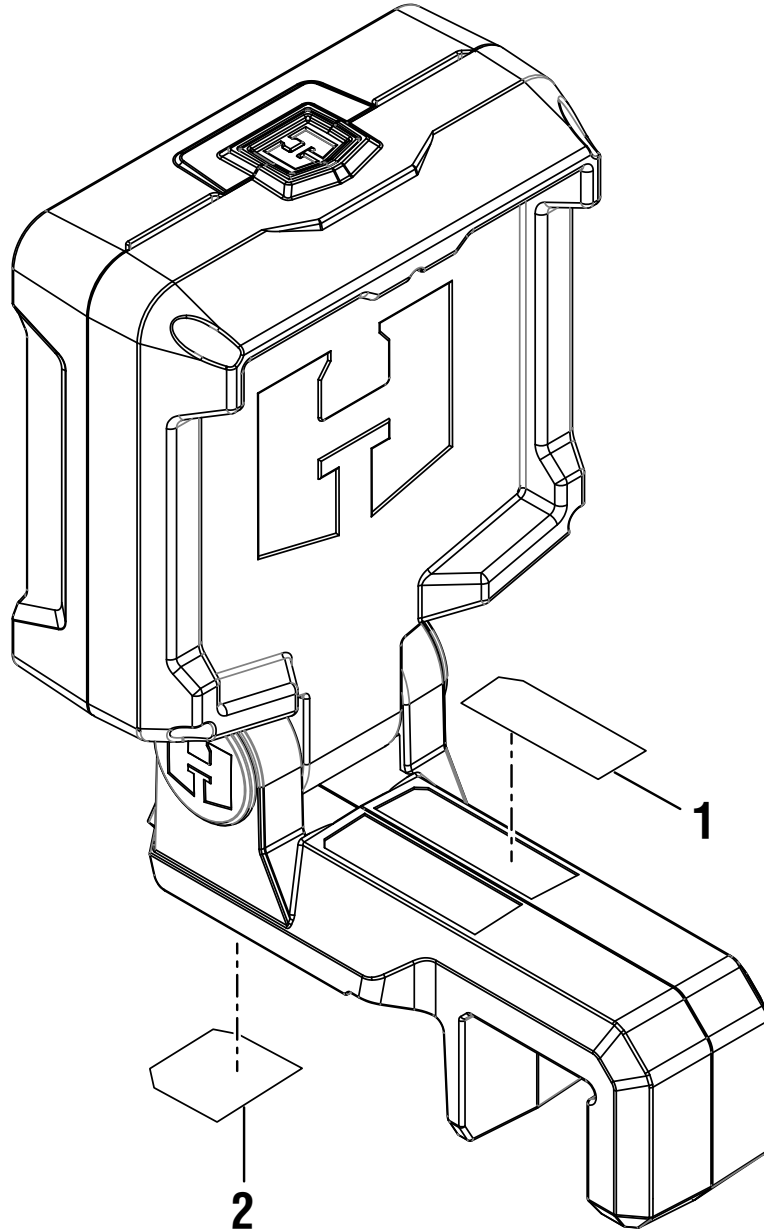


HART
20 Volt LED Work Light
Model Number HPWL01
Repair Sheet

Hart Consumer Products, Inc.
P.O. Box 1348, Anderson, SC 29622
Phone 1-800-776-5191
www.HARTtools.com

HART 20V LED WORK LIGHT- MODEL NUMBER HPWL01

The model number will be found on a label attached to the lower body housing. Always mention the model number in all correspondence regarding your **WORK LIGHT** or when ordering repair parts.



KEY NO.	PART NUMBER	DESCRIPTION	QTY
1	01907200102K	Warning Icons Label	1
2	01907200101K	Data Label	1

Not Shown:

998000036 Operator's Manual (01907200101Q)
 3-5-20
 (Rev:01)