

REPAIR SHEET

BRAND

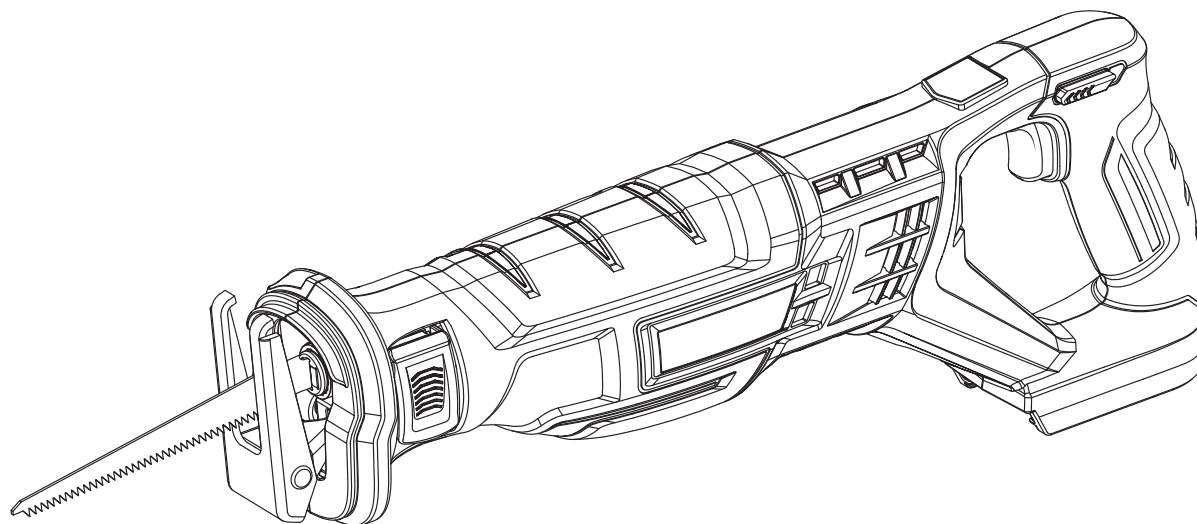
HART

DESCRIPTION

20 Volt Reciprocating Saw

MODEL NO.

HPRS03



HART CONSUMER PRODUCTS, INC.

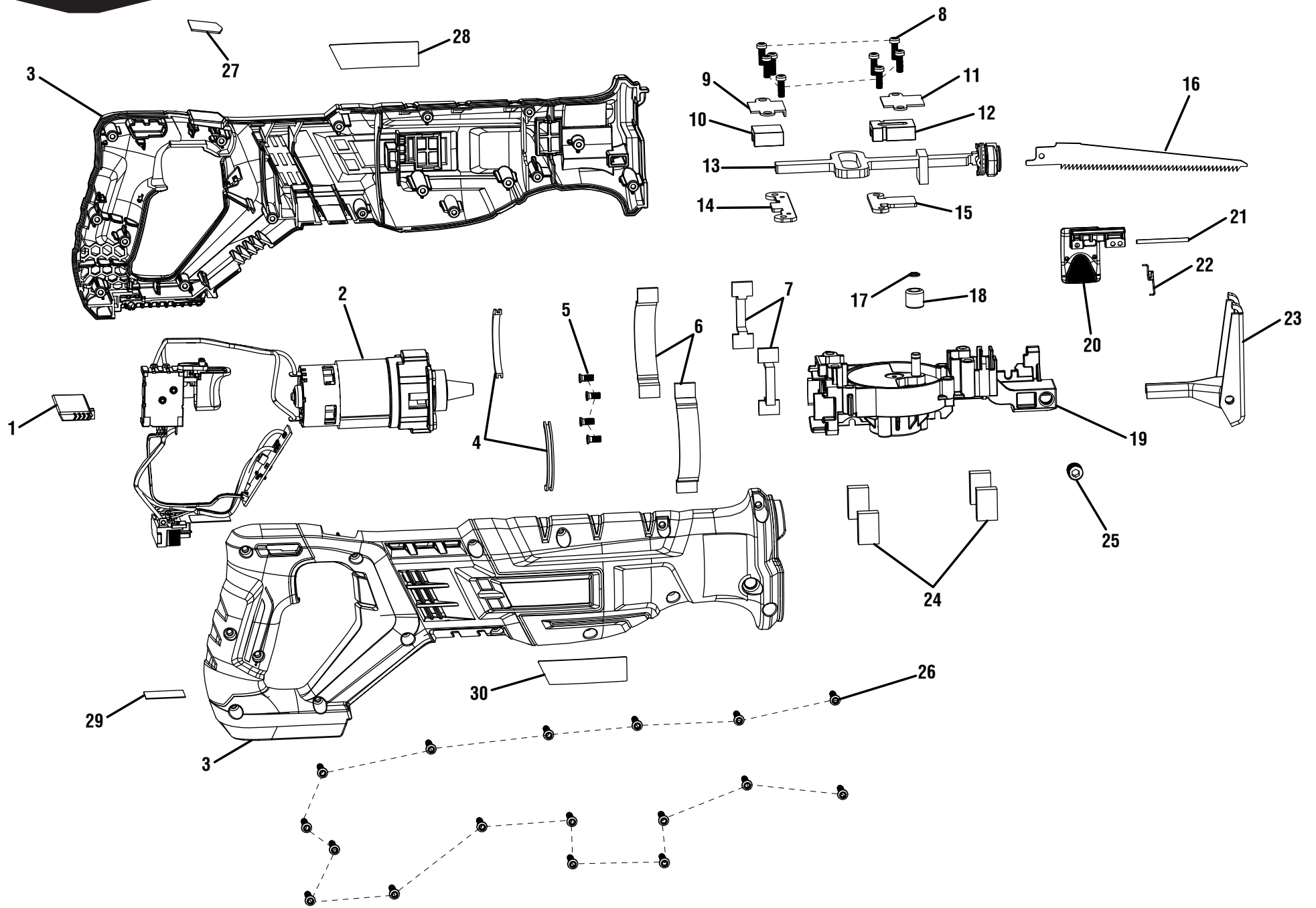
P.O. Box 1348, Anderson, SC 29622 ■ 1-800-776-5191 ■ www.HARTtools.com

12-1-20 (Rev:01)

The model number and manufacturing location will be found on a label attached to the product. Always mention this information in all communications regarding this product and when ordering parts.



HPRS03





HPRS03

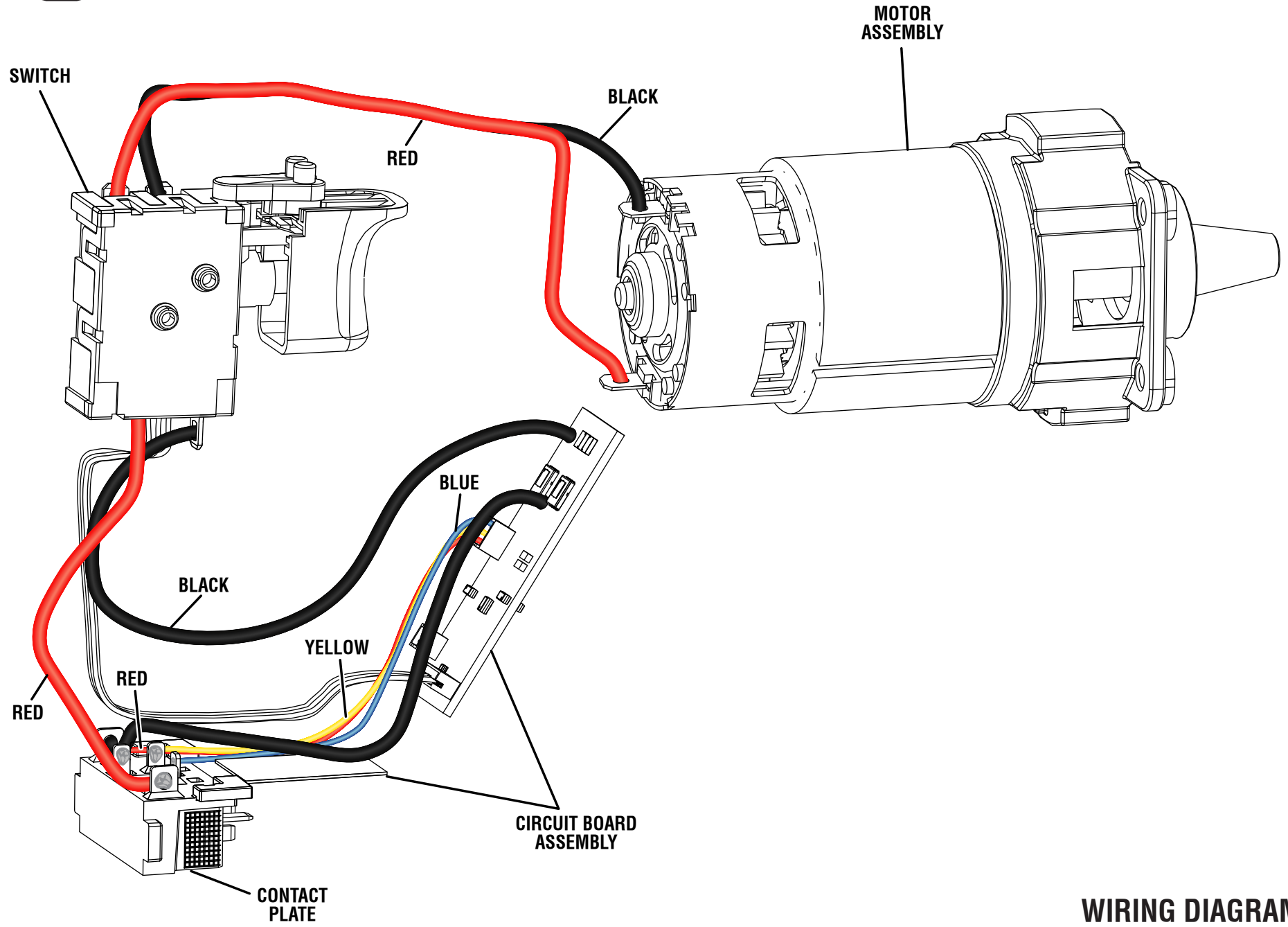
PARTS LIST

KEY NO.	PART NO.	DESCRIPTION	QTY.
1	370402001	Trigger Lock Button	1
2	206131002	Motor and Circuit Board Assembly	1
3	204131004	Housing Assembly (Inc. Key Nos. 27-30)	1
4	570264001	Rubber Cushion	2
5	660211050	Screw (M3 x 12 mm)	4
6	565715001	Foam	2
7	565714001	Foam	2
8	661064001	Screw (M4 x 12 mm, T20 Torx Hd.)	8
9	690349001	Cover Plate 2	1
10	690356001	Guiding Block	1
11	690342001	Cover Plate 1	1
12	610730001	Guide Block Front	1
13	304003010	Output Shaft Assembly	1
14	635224001	Rear Plate (2.3 mm)	1
15	635222001	Front Plate (2.3 mm)	1
16	682507001	Wood Cutting Blade	1

KEY NO.	PART NO.	DESCRIPTION	QTY.
17	670704001	Retaining Ring	1
18	680296001	Needle Bearing	1
19	206131003	Gear Box Assembly	1
20	370012001	Release Lever	1
21	690518001	Pin	1
22	690502001	Spring	1
23	315185001	Shoe Assembly	1
24	560703001	Rubber Pad	4
25	660170001	Screw (M10 x 10 mm)	1
26	660031017	Screw (M3.5 x 16 mm, Torx Pan Hd.)	17
27	941114311	H Shield Logo	1
28	941114287	Logo Label	1
29	941120573	Battery Statement Label	1
30	941122995	Data Label	1
	Not Shown:		
	998000190	Operator's Manual	



HPRS03



WIRING DIAGRAM