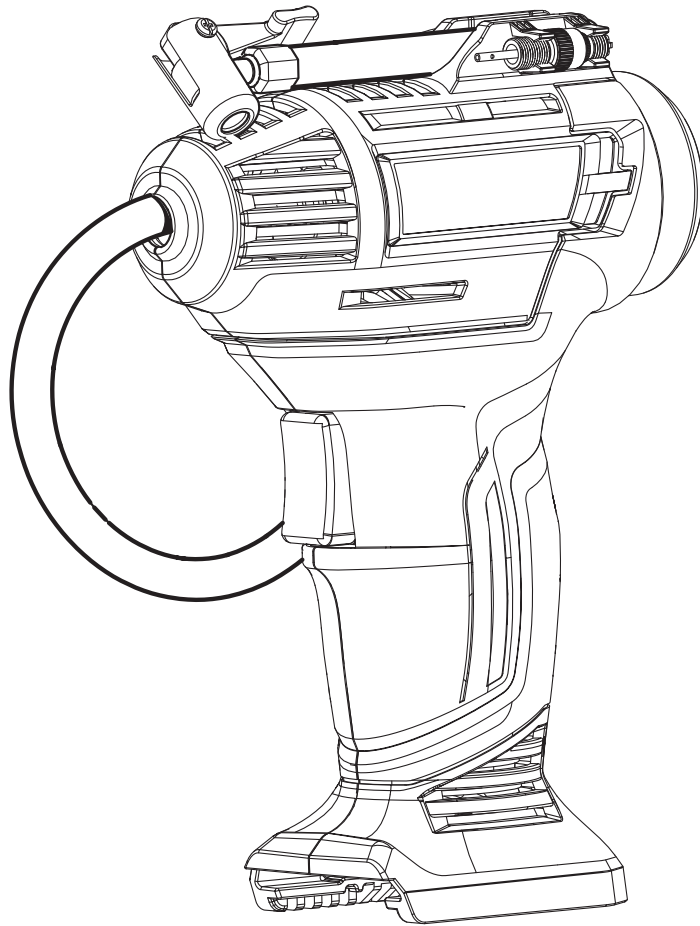


# HART™

## HPIF01/HPIF01TW 20V Inflator with Digital Gauge Gonflage avec Manomètre Numérique Inflador con Manómetro Digital



### OPERATOR'S MANUAL

General Safety Rules	2-3
Specific Safety Rules	3-4
Symbols	4
Features	5
Assembly	5
Operation	5-6
Maintenance	7
Illustrations	8-9
Parts/Service	
Back page	

### MANUEL D'UTILISATION

Règles de sécurité générales	2-3
Règles de sécurité particulières	3-4
Symboles	4-5
Caractéristiques	5
Assemblage	5
Utilisation	5-7
Entretien	7
Illustrations	8-9
Commande de pièces et dépannage	
Page arrière	

### MANUAL DEL OPERADOR

Reglas de seguridad generales	2-3
Reglas de seguridad específicas	3-4
Símbolos	4-5
Características	5
Armado	5
Funcionamiento	5-7
Mantenimiento	7
Ilustraciones	8-9
Pedidos de piezas y servicio	
Pág. posterior	

THIS INSTRUCTION BOOKLET CONTAINS **IMPORTANT** SAFETY INFORMATION. PLEASE READ AND KEEP FOR FUTURE REFERENCE.

**⚠ WARNING:** To reduce the risk of injury, the user must read and understand the operator's manual before using this product.

CE LIVRET D'INSTRUCTIONS CONTIENT DES CONSIGNES DE SÉCURITÉ **IMPORTANTES**. VEUILLEZ LE LIRE ET LE CONSERVER POUR TOUTE RÉFÉRENCE FUTURE.

**⚠ AVERTISSEMENT :** Pour réduire les risques de blessures, l'utilisateur doit lire et veiller à bien comprendre le manuel d'utilisation avant d'employer ce produit.

ESTE FOLLETO DE INSTRUCCIONES CONTIENE INFORMACIÓN DE SEGURIDAD **IMPORTANTE**. LÉALO Y CONSÉRVELO PARA REFERENCIA FUTURA.

**⚠ ADVERTENCIA:** Para reducir el riesgo de lesiones, el usuario debe leer y comprender el manual del operador antes de usar este producto.

# GENERAL SAFETY RULES

## WARNING!

### **READ AND UNDERSTAND ALL INSTRUCTIONS.**

Failure to follow all instructions listed below, may result in electric shock, fire and/or serious personal injury.

## WARNING!

When using electric appliances, basic precautions should always be followed, including the following:

## SAVE THESE INSTRUCTIONS

### WORK AREA

- **Keep your work area clean and well lit.** Cluttered benches and dark areas invite accidents.
- **Keep bystanders, children, and visitors away while operating an inflator.** Distractions can cause you to lose control.
- **Operate inflator in an open area at least 18 in. away from any wall or object that could restrict the flow of fresh air to ventilation openings.**

### ELECTRICAL SAFETY

- **To reduce the risk of electrical shock, do not put inflator in water or other liquid.** Do not place or store appliance where it can fall or be pulled into a tub or sink.
- **Use this product only with batteries and chargers listed in tool/appliance/battery pack/charger correlation supplement 995000850.**

### PERSONAL SAFETY

- **Stay alert, watch what you are doing and use common sense when operating an inflator. Do not use inflator while tired or under the influence of drugs, alcohol, or medication.** A moment of inattention while operating inflator may result in serious personal injury.
- **Dress properly. Do not wear loose clothing or jewelry. Contain long hair. Keep your hair, clothing, and gloves away from moving parts.** Loose clothes, jewelry, or long hair can be caught in moving parts.
- **Do not overreach. Keep proper footing and balance at all times.** Proper footing and balance enable better control of the inflator in unexpected situations.
- **Use safety equipment. Always wear eye protection.** Dust mask, non-skid safety shoes, hard hat, or hearing protection must be used for appropriate conditions.
- **Eye protection is required to guard against flying fasteners and debris which could cause severe eye injury.**
- **Do not wear loose clothing or jewelry. Contain long hair.** Loose clothes, jewelry, or long hair can be drawn into air vents.

- **Do not use on a ladder or unstable support.** Stable footing on a solid surface enables better control of the inflator in unexpected situations.
- **Do not disassemble the inflator.**
- **Do not operate inflator near flammable liquids or in gaseous or explosive atmospheres.** Internal sparks may ignite fumes.
- **Do not store your inflator in a damp or wet location. Do not store in locations where the temperature is less than 50°F or more than 100°F.** Do not store in outside sheds or in vehicles.

### INFLATOR USE AND CARE

- **Check hoses for weak or worn condition before each use, making certain all connections are secure.** Do not use if defect is found. Purchase a new hose or notify an authorized service center for examination or repair.
- **Release all pressures within the system slowly.** Dust and debris may be harmful.
- **Do not use inflator if switch does not turn it on or off.** An inflator that cannot be controlled with the switch is dangerous and must be repaired.
- **Place the switch off position before making any adjustments, changing accessories, or storing the inflator.** Such preventive safety measures reduce the risk of starting the inflator accidentally.
- **Store idle inflators out of reach of children and other untrained persons.** Inflators are dangerous in the hands of untrained users.
- **Check for misalignment or binding of moving parts, breakage of parts, and any other condition that may affect the inflator's operation. If damaged, have the inflator serviced before using.** Many accidents are caused by poorly maintained tools.
- **Use only accessories that are recommended by the manufacturer for your model.** Accessories that may be suitable for one inflator may create a risk of injury when used on another inflator.
- **Keep the inflator and its handle dry, clean and free from oil and grease.** Always use a clean cloth when cleaning. Never use brake fluids, gasoline, petroleum-based products, or any strong solvents to clean your inflator. Following this rule will reduce the risk of loss of control and deterioration of the enclosure plastic.
- **Never point any inflator toward yourself or others.**
- **Keep the exterior of the inflator dry, clean, and free from oil and grease.** Always use a clean cloth when cleaning. Never use brake fluids, gasoline, petroleum-based products, or any strong solvents to clean the unit. Following this rule will reduce the risk of deterioration of the enclosure plastic.
- **Do not exceed the pressure rating of any component in the system.**

# GENERAL SAFETY RULES

- **Protect material lines and air lines from damage or puncture.** Keep hose and power cord away from sharp objects, chemical spills, oil, solvents, and wet floors.

## SERVICE

- **Inflator service must be performed only by qualified repair personnel.** Service or maintenance performed by unqualified personnel may result in a risk of injury.

# SPECIFIC SAFETY RULES




- **Know your inflator.** Read operator's manual carefully. Learn its applications and limitations, as well as the specific potential hazards related to this tool. Following this rule will reduce the risk of electric shock, fire, or serious injury.
- **Risk of bursting.** Do not operate inflator to result in output pressure greater than marked maximum pressure of item to be inflated. Do not use at pressure greater than 150 PSI.
- **To reduce the risk of electric shock,** do not expose to rain. Store indoors.
- **Inspect unit for cracks, pin holes, or other imperfections that could cause inflator to become unsafe.** Never cut or drill holes in the inflator.
- **Make sure the hose is free of obstructions or snags.** Entangled or snarled hoses can cause loss of balance or footing and may become damaged.
- **Use the inflator only for its intended use. Do not alter or modify the unit from the original design or function.**
- **Always be aware that misuse and improper handling of this inflator can cause injury to yourself and others.**
- **Never leave an inflator unattended with the nozzle attached to the item being inflated.**
- **Do not continue to use a inflator or nozzle that leaks air or does not function properly.**
- **Always disconnect the battery pack before making adjustments, servicing an inflator, or when an inflator is not in use.**
- **Do not attempt to pull or carry the inflator by the hoses.**
- **Always follow all safety rules recommended by the manufacturer of your inflator, in addition to all safety rules for the inflator.** Following this rule will reduce the risk of serious personal injury.
- **Household use only.**
- **Do not use inflator as a breathing device.**
- **Never direct a jet of compressed air toward people or animals. Take care not to blow dust and dirt towards yourself or others.** Following this rule will reduce the risk of serious injury.
- **When servicing an inflator, use only identical replacement parts. Follow instructions in the Maintenance section of this manual.** Use of unauthorized parts or failure to follow Maintenance Instructions may create a risk of shock or injury.
- **Protect your lungs.** Wear a face or dust mask if the operation is dusty. Following this rule will reduce the risk of serious personal injury.
- **Do not use this inflator to spray chemicals.** Your lungs can be damaged by inhaling toxic fumes.
- **Check damaged parts. Before further use of the inflator or air tool, a guard or other part that is damaged should be carefully checked to determine that it will operate properly and perform its intended function.**
- **Check for alignment of moving parts, binding of moving parts, breakage of parts, mounting, and any other conditions that may affect its operation. A guard or other part that is damaged should be properly repaired or replaced by an authorized service center.** Following this rule will reduce the risk of shock, fire, or serious injury.
- **Risk of bursting.** Carefully monitor objects during inflation.
- **To reduce the risk of over inflation,** use a reliable pressure gauge periodically during inflation.
- **Never leave the inflator unattended during inflation.**
- **Never block the inflating or deflating outlets while operating.**
- **Do not use a battery pack that is damaged or modified.** Damaged or modified batteries may exhibit unpredictable behavior resulting in fire, explosion or risk of injury.
- **Do not modify or attempt to repair a battery pack that has been damaged.**
- **Do not expose a battery pack or appliance to fire or excessive temperature.** Exposure to fire or temperature above 265°F may cause explosion.
- **Follow all charging instructions and do not charge the battery pack or appliance outside of the temperature range specified in the instructions.** Charging improperly or at temperatures outside of the specified range may damage the battery and increase the risk of fire.
- **Have servicing performed by a qualified repair person using only identical replacement parts.** This will ensure that the safety of the product is maintained.

# SPECIFIC SAFETY RULES








- **Allow pump to cool** for five (5) minutes after each five (5) minutes of continuous use. Never block the inflating or deflating outlets while operating.
- **Save these instructions.** Refer to them frequently and use them to instruct others who may use this inflator. If you loan someone this inflator, loan them these instructions also.

## SYMBOLS

The following signal words and meanings are intended to explain the levels of risk associated with this product.

SYMBOL	SIGNAL	MEANING
	<b>DANGER:</b>	Indicates a hazardous situation, which, if not avoided, will result in death or serious injury.
	<b>WARNING:</b>	Indicates a hazardous situation, which, if not avoided, could result in death or serious injury.
	<b>CAUTION:</b>	Indicates a hazardous situation, that, if not avoided, may result in minor or moderate injury.
	<b>NOTICE:</b>	(Without Safety Alert Symbol) Indicates information considered important, but not related to a potential injury (e.g. messages relating to property damage).

Some of the following symbols may be used on this product. Please study them and learn their meaning. Proper interpretation of these symbols will allow you to operate the product better and safer.

SYMBOL	NAME	DESIGNATION/EXPLANATION
	<b>Safety Alert</b>	Indicates a potential personal injury hazard.
	<b>Read Operator's Manual</b>	To reduce the risk of injury, user must read and understand operator's manual before using this product.
	<b>Eye Protection</b>	Always wear eye protection with side shields marked to comply with ANSI Z87.1.
	<b>Wet Conditions Alert</b>	Do not expose to rain or use in damp locations.
	<b>Hot Surface</b>	To reduce the risk of injury or damage, avoid contact with any hot surface.
	<b>Risk of Bursting</b>	Do not operate inflator to result in output pressure greater than marked maximum pressure of attachment. Do not use at pressure greater than 150 PSI.
	<b>Recycle Symbol</b>	This product uses lithium-ion (Li-ion) batteries. Local, state or federal laws may prohibit disposal of batteries in ordinary trash. Consult your local waste authority for information regarding available recycling and/or disposal options.
V	<b>Volts</b>	Voltage
min	<b>Minutes</b>	Time
==	<b>Direct Current</b>	Type or a characteristic of current
n <sub>0</sub>	<b>No Load Speed</b>	Rotational speed, at no load
.../min	<b>Per Minute</b>	Revolutions, strokes, surface speed, orbits etc., per minute

# FEATURES

## PRODUCT SPECIFICATIONS

Hose Length .....20 in.  
Maximum Pressure..... 150 PSI

Duty Cycle ..... 5 minutes On/5 minutes Off  
Gauge..... Digital Readout (PSI)

## ASSEMBLY

### **WARNING:**

Do not use this product if it is not completely assembled or if any parts appear to be missing or damaged. Use of a product that is not properly and completely assembled or with damaged or missing parts could result in serious personal injury.

### **WARNING:**

Do not attempt to modify this product or create accessories or attachments not recommended for use with this product. Any such alteration or modification is misuse and could result in a hazardous condition leading to possible serious personal injury.

If any parts are damaged or missing, please call 1-800-776-5191 for assistance.

## OPERATION

### **WARNING:**

Do not allow familiarity with this product to make you careless. Remember that a careless fraction of a second is sufficient to inflict serious injury.

### **WARNING:**

Always wear eye protection with side shields marked to comply with ANSI Z87.1. Failure to do so could result in objects being thrown into your eyes resulting in possible serious injury.

### **WARNING:**

Do not use any attachments or accessories not recommended by the manufacturer of this tool. The use of attachments or accessories not recommended can result in serious personal injury.

### **WARNING:**

Do not leave items to be inflated unattended while inflator is in use. These items can burst and could cause serious injury.

### **NOTICE:**

The inflator is not designed for continuous use. For every five minutes of inflator use, five minutes of cool down time are required.

### **WARNING:**

Since the pressure gauge is not calibrated, and is therefore not binding for exact values, tire pressure must be checked using a reliable measuring device before driving a vehicle with vehicle tires inflated with the inflator. Driving a vehicle with improperly inflated tires could result in serious injury.

### **NOTICE:**

The inflator is capable of inflating to 150 PSI. To avoid over inflation, carefully follow instructions on items to be inflated. To avoid product damage, never exceed recommended pressures.

## APPLICATIONS

You may use this inflator for the purpose listed below:

- Inflating items such as motorcycle, car, and bicycle tires

**NOTE:** The inflator is not designed for commercial applications.

### **WARNING:**

Battery tools are always in operating condition. Always remove battery pack from your tool when you are assembling parts, making adjustments, cleaning, or when not in use. Removing battery pack will prevent accidental starting that could cause serious personal injury.

## INSTALLING/REMOVING BATTERY PACK

See Figure 1, page 8.

- Insert the battery pack into the battery port as shown.
- Make sure the latch on the battery pack snaps into place and the battery pack is secured in the product before beginning operation.
- Depress the latch and pull to release and remove the battery pack.

For complete charging instructions, see the operator's manuals for your battery pack and charger.



# OPERATION

## AIR HOSE AND ACCESSORY STORAGE

See Figures 2 - 3, page 8.

When the inflator is not in use, press the hose into the storage area on top of the tool.

The inflator can be hung on a pegboard by the holes on top of the tool housing.

When not in use, adaptors and needles provided with the inflator can be placed in the storage area on the base of the tool.

## DIGITAL GAUGE

See Figure 4, page 9.

The digital gauge on the inflator serves as a pressure gauge and monitors the amount of pressure being applied to the item being inflated.

To turn the digital gauge on, install the battery pack and squeeze the switch trigger.

**NOTE:** The digital gauge will automatically shut off when not in use for 30 seconds.

## USING THE INFLATOR

See Figures 5 - 6, page 9.

- Install the battery pack.
- Position air chuck clamp in the unlock position perpendicular to the air hose.
- Place the air chuck on the valve stem.
- Push the air chuck down so that the threaded section of the valve stem is inside the air chuck.
- Clamp the end of the air chuck down onto the valve stem by pressing air chuck clamp down until it stops or is parallel with the air hose.

### **WARNING:**

Improperly attached hoses or accessories can become detached under pressure and cause serious injury. Possible air leaks can cause faulty pressure readings. Make sure all connections are tightly secured.

- Squeeze the switch trigger and a readout will appear on the gauge.

**NOTE:** The pressure readout on the gauge while inflating is a measurement of the fluctuating pressure between the item and the air hose. To get an accurate reading, release the switch trigger and wait for the readout to adjust.

- The gauge will indicate the pressure in PSI. When the desired pressure is reached, release the switch trigger and disconnect the inflator.

**NOTE:** Maximum PSI for this unit is 150 PSI.

### **NOTICE:**

Always leave the hose free of obstructions when the tool is not in use. Overheating could occur if the hose is blocked.

## ACCESSORIES

See Figures 7 - 9, page 9.

The supplied accessories perform a variety of functions. The tapered adaptor can be used on smaller pinch valves to inflate small items like floats and children's toys, which usually require the user to inflate them by blowing air into them. The sport ball needle can be used to inflate any type of sports ball or any other item that requires an inflation sport ball needle.

**NOTE:** When inflating items of 10 PSI or less, inflate in short bursts and check after each burst by feel or with a calibrated measuring device to determine accurate pressure.

### SPORT BALL NEEDLE

#### **NOTICE:**

Insert the sport ball needle only until its base is flush with the surface of the air chuck. Do not insert the sport ball needle all the way into the chuck. Installing the sport ball needle incorrectly can damage the gauge, air chuck, or other parts of the inflator.

- Insert sport ball needle into sports ball valve and inflate.
- Remove sport ball needle after inflation.

**NOTE:** Pressure required for most sports balls is too low for accurate reading on tool gauge.

### PRESTA VALVE ADAPTOR

Before inflating a tire with a Presta valve, loosen the locking nut on the valve stem to inflate. Once inflation is complete, tighten the locking nut to seal the tire valve.

- Loosen the Presta valve locking nut.
- Thread the Presta valve adaptor onto the valve stem with the larger open end toward the wheel.
- Position the air chuck clamp in the unlock position.
- Clamp the end of the air chuck down onto the Presta valve adaptor by pressing air chuck clamp down until it locks into place.
- After inflation, remove air chuck and tighten locking nut.

# MAINTENANCE

## **WARNING:**

When servicing, use only identical replacement parts. Use of any other parts can create a hazard or cause product damage.

## **WARNING:**

Always wear eye protection with side shields marked to comply with ANSI Z87.1. Failure to do so could result in objects being thrown into your eyes resulting in possible serious injury.

## GENERAL MAINTENANCE

Avoid using solvents when cleaning plastic parts. Most plastics are susceptible to damage from various types of commercial solvents and may be damaged by their use. Use clean cloths to remove dirt, dust, oil, grease, etc.

## **WARNING:**

Do not at any time let brake fluids, gasoline, petroleum based products, penetrating oils, etc., come in contact with plastic parts. Chemicals can damage, weaken or destroy plastic which can result in serious personal injury.

**NOTE: ILLUSTRATIONS START ON PAGE 8  
AFTER FRENCH AND SPANISH LANGUAGE SECTIONS.**

# RÈGLES DE SÉCURITÉ GÉNÉRALES

## **⚠ AVERTISSEMENT !**

**LIRE ET VEILLER À BIEN COMPRENDRE TOUTES LES INSTRUCTIONS.** Le non-respect de toutes les instructions ci-dessous peut entraîner un choc électrique, un incendie et/ou des blessures graves.

## **⚠ AVERTISSEMENT !**

Au moment d'utiliser les appareils électriques, les précautions de base doivent être prises, y compris ce qui suit :

## CONSERVER CES INSTRUCTIONS

### LIEU DE TRAVAIL

- **Maintenir l'espace de travail propre et bien éclairé.** Les établis encombrés et les endroits sombres sont propices aux accidents.
- **Garder les badauds, enfants et visiteurs à l'écart pendant l'utilisation de l'accessoire de gonflage.** Les distractions peuvent causer une perte de contrôle.
- **Utiliser l'accessoire de gonflage dans un endroit dégagé, à au moins 457 mm (18 po) de toute paroi ou objet risquant de gêner l'entrée de l'air dans les ouvertures de ventilation.**

### SÉCURITÉ ÉLECTRIQUE

- **Pour réduire le risque d'un choc électrique, ne pas mettre le gonflage dans l'eau ou autre liquide.** Ne pas placer ou entreposer l'appareil dans un endroit où il peut tomber ou être entraîné dans une baignoire ou un évier.
- **Utiliser ce produit seulement avec la piles et le chargeurs indiqués dans le supplément de raccordement pour chargeur/outils/piles/appareil n° 995000850.**

### SÉCURITÉ PERSONNELLE

- **Rester en alerte, attentif à la tâche et faire preuve de bon sens lors de l'utilisation de l'accessoire de gonflage. Ne pas utiliser cet accessoire de gonflage en état de fatigue ou sous l'influence de l'alcool, de drogues ou de médicaments.** Un moment d'inattention pendant l'utilisation de l'accessoire de gonflage peut entraîner des blessures graves.
- **Porter une tenue appropriée. Ne porter ni vêtements amples, ni bijoux. Attacher ou couvrir les cheveux longs. Garder les cheveux, les vêtements et les gants à l'écart des pièces en mouvement.** Les vêtements amples, bijoux et cheveux longs peuvent être pris dans les pièces en mouvement.
- **Ne pas travailler hors de portée. Toujours se tenir bien campé et en équilibre.** Une bonne tenue et un bon équilibre permettent de mieux contrôler l'accessoire de gonflage en cas de situation imprévue.
- **Utiliser l'équipement de sécurité. Toujours porter une protection oculaire.** Suivant les conditions, le port d'un masque filtrant, de chaussures de sécurité, d'un casque ou d'une protection auditive est recommandé.

- **Une protection oculaire est requise, car les dispositifs d'attache et débris projetés peuvent causer des lésions oculaires graves.**
- **Ne porter ni vêtements amples, ni bijoux. Attacher ou couvrir les cheveux longs.** Les vêtements amples, bijoux et cheveux longs peuvent se prendre dans les ouïes d'aération.
- **Ne pas utiliser l'accessoire sur une échelle ou un support instable.** Une bonne tenue et un bon équilibre permettent de mieux contrôler l'accessoire de gonflage en cas de situation imprévue.
- **Ne pas démonter l'accessoire de gonflage.**
- **Ne pas utiliser de gonflage ou le chargeur à proximité de liquides explosifs, en présence de gaz ou dans une atmosphère explosive.** Les étincelles internes peuvent enflammer les vapeurs.
- **Ne pas recharger un outil fonctionnant sur piles dans un endroit humide ou mouillé. Ne pas utiliser, remiser ou charger le bloc-piles ou produits dans des emplacements où la température est inférieure 10 °C (50 °F) à ou supérieure à 38 °C (100 °F).** Ne pas ranger l'outil à l'extérieur ou dans un véhicule.

## UTILISATION ET ENTRETIEN L'ACCESSOIRE DE GONFLAGE

- **Avant chaque utilisation, s'assurer que les flexibles ne sont pas affaiblis ou endommagés et vérifier tous les branchements.** Ne pas utiliser si des dommages sont observés. Acheter de nouveaux flexibles ou contacter un centre de réparations agréé, pour les faire inspecter ou réparer.
- **Relâcher toutes les pressions du système lentement.** La projection de poussières et de débris peut être dangereuse.
- **Ne pas utiliser l'accessoire de gonflage si le commutateur ne permet pas de le mettre en marche et de l'arrêter.** Un accessoire de gonflage qui ne peut pas être contrôlé par le commutateur est dangereux et doit être réparé.
- **Mettre le gâchette de commutateur en position d'arrêt avant d'effectuer des réglages, de changer d'accessoire ou de ranger l'outil.** Ces mesures de sécurité réduisent les risques de démarrage accidentel de l'outil.
- **Ranger les accessoires de gonflage non utilisés hors de la portée des enfants et des personnes n'ayant pas reçu des instructions adéquates.** Dans les mains de personnes n'ayant pas reçu des instructions adéquates, les accessoires de gonflage sont dangereux.
- **Vérifier qu'aucune pièce mobile n'est mal alignée, grippée ou brisée et s'assurer qu'aucun autre problème ne risque d'affecter le bon fonctionnement de l'accessoire de gonflage. En cas de dommages, faire réparer l'accessoire de gonflage avant de l'utiliser de nouveau.** Beaucoup d'accidents sont causés par des outils mal entretenus.
- **Utiliser exclusivement les accessoires recommandés par le fabricant pour le modèle d'outil.** Des accessoires appropriés pour un accessoire de gonflage peuvent être dangereux s'ils sont utilisés avec un autre accessoire de gonflage.



# RÈGLES DE SÉCURITÉ GÉNÉRALES

- **Garder l'accessoire de gonflage et sa poignée exempts d'huile ou de graisse.** Toujours utiliser un chiffon propre pour le nettoyage. Ne jamais utiliser de liquide de freins, d'essence ou de produits à base de pétrole pour nettoyer l'accessoire de gonflage. Le respect de cette consigne permet de réduire les risques de perte de contrôle et d'endommagement du boîtier en plastique.
- **Ne pas pointer un accessoire de gonflage quel qu'il soit vers soi ou d'autres personnes.**
- **Garder l'extérieur de l'accessoire de gonflage sec, propre et exempt d'huile ou de graisse.** Toujours utiliser un chiffon propre pour le nettoyage. Ne jamais utiliser de liquide de freins, d'essence, de produits à base de pétrole ou de solvants puissants pour nettoyer l'outil. Le respect de cette règle permet de réduire les risques de perte de contrôle et d'endommagement du boîtier en plastique.
- **Ne pas dépasser les pressions nominales des composants du système.**

- **Protéger les flexibles d'alimentation et de l'outil contre les dommages et les risques de perforation.** Garder le flexible et le cordon d'alimentation électrique à l'écart des objets pointus, des produits chimiques, de l'huile, des solvants et sols mouillés.

## DÉPANNAGE

- **Le dépannage de l'accessoire de gonflage doit être confié exclusivement à un personnel qualifié.** Les réparations ou entretiens effectués par des personnes non qualifiées présentent des risques de blessures.
- **Utiliser exclusivement des pièces identiques à celles d'origine pour les réparations. Se conformer aux instructions de la section Entretien de ce manuel.** L'utilisation de pièces non autorisées ou le non-respect des instructions peut présenter des risques de choc électrique ou de blessures.

# RÈGLES DE SÉCURITÉ PARTICULIÈRES

- **Apprendre à connaître l'accessoire de gonflage.** Lire attentivement le manuel d'utilisation. Apprendre les applications et les limites de l'outil, et connaître les dangers spécifiques relatifs à son utilisation. Le respect de cette règle permet de réduire les risques d'incendie, de choc électrique et de blessures.
- **Risque d'éclatement.** Ne pas faire fonctionner le gonfleur de manière à éviter une sortie de pression plus élevée que la pression maximale de l'article à gonfler. Ne pas utiliser une pression de plus de 0,5 PSI.
- **Pour réduire les risques de chocs électriques,** ne pas exposer à la pluie. Remiser à l'intérieur.
- **Inspecter chaque pour vérifier qu'il n'y a pas de fissures, de piqûres ou d'autres imperfections pouvant altérer la sécurité de l'accessoire de gonflage.** Ne jamais couper ou percer des trous dans l'accessoire de gonflage.
- **S'assurer que le flexible n'est ni bloqué, ni accroché.** Un flexible emmêlé ou entortillé peut causer une perte d'équilibre et être endommagé.
- **L'accessoire de gonflage ne doit être utilisé que pour les applications pour lesquelles il est conçu. Ne pas altérer ou modifier l'accessoire de gonflage ou l'utiliser pour des applications pour lesquelles il n'est pas conçu.**
- **Ne jamais oublier qu'un usage incorrect ou abusif de cet accessoire de gonflage peut mettre l'opérateur et les autres personnes présentes en danger.**
- **Ne jamais laisser l'appareil de gonflage sans supervision lorsque la buse est fixée à l'article en cours de gonflage.**
- **Ne pas utiliser un accessoire de gonflage qui présente des fuites d'air ou ne fonctionne pas correctement.**
- **Toujours débrancher le bloc-pile avant d'effectuer des réglages ou entretiens et lorsque l'accessoire de gonflage n'est pas utilisé.**
- **Ne jamais laisser l'accessoire de gonflage sans surveillance avec le flexible d'air branché à être gonflé.**




- **Toujours respecter les consignes de sécurité du fabricant de l'accessoire de gonflage, ainsi que toutes les règles de sécurité d'utilisation de l'accessoire de gonflage.** Le respect de cette consigne permet de réduire les risques de blessures graves.
- **Pour usage domestique seulement.**
- **Ne pas utiliser cet accessoire de gonflage comme un appareil de respiration.**
- **Ne jamais diriger le jet d'air comprimé vers des personnes ou des animaux. Veiller à ne pas projeter de la poussière ou de la saleté vers soi-même ou d'autres personnes.** Le respect de cette règle permet de réduire les risques de blessures graves.
- **Protection respiratoire.** Porter un masque facial ou respiratoire si le travail produit de la poussière. Le respect de cette règle permet de réduire les risques de blessures graves.
- **Ne pas utiliser cet accessoire de gonflage pour la pulvérisation de produits chimiques.** L'inhalation de vapeurs toxiques peut causer des lésions pulmonaires.
- **Vérifier l'état des pièces. Avant d'utiliser l'accessoire de gonflage de nouveau, examiner soigneusement les pièces et dispositifs de protection qui semblent endommagés afin de déterminer s'ils fonctionnent correctement et remplissent les fonctions prévues.**
- **Vérifier l'alignement des pièces mobiles, s'assurer qu'aucune pièce n'est bloquée ni cassée, vérifier la fixation de chaque pièce et s'assurer qu'aucun autre problème ne risque d'affecter le bon fonctionnement de l'outil. Toute protection ou pièce endommagée doit être correctement réparée ou remplacée dans un centre de réparations agréé.** Le respect de cette consigne permet de réduire les risques de choc électrique, d'incendie et de blessures graves.
- **Risque d'éclatement.** Surveiller les objets pendant l'inflation.

# RÈGLES DE SÉCURITÉ PARTICULIÈRES






- **Pour réduire les risques de manière excessive**, utiliser un manomètre étaloné régulièrement pendant l'inflation. Affichage de la pression de gonflage à titre indicatif seulement et pouvant indiquer des valeurs non exactes.
- **Ne jamais laisser un gonfleur en fonctionnement sans surveillance.**
- **Ne jamais bloquer les sorties de gonflage ou de dégonflage au moment de l'utilisation.**
- **Ne pas utiliser un bloc-piles endommagé ou modifié.** Le bris ou la modification du bloc-piles peut causer un comportement imprévisible et causer un incendie, une explosion ou des blessures.
- **Ne pas modifier ou tenter de réparer un bloc-piles ayant été endommagé.**
- **Ne pas exposer le bloc-piles ou l'outil à un feu ou à des températures excessives.** Une exposition à un incendie ou à une température supérieure à 130 °C (265 °F) peut provoquer une explosion.
- **Suivre toutes les instructions afférentes à la recharge et ne pas recharger le bloc-piles ou l'appareil hors des températures spécifiées dans les instructions.** Une recharge incorrecte ou hors des températures spécifiées peut endommager la pile et augmenter les risques de feu.
- **Demander à un réparateur qualifié d'effectuer la réparation en utilisant des pièces de rechange identiques.** Ceci assurera la bonne sécurité du produit réparé.
- **Laisser refroidir la pompe** pendant cinq (5) minutes après chaque cinq (5) minutes d'utilisation. Ne jamais bloquer les sorties de gonflage ou de dégonflage au moment de l'utilisation.
- **Conserver ces instructions.** Les consulter fréquemment et les utiliser pour instruire les autres utilisateurs éventuels. Si cet outil est prêté, il doit être accompagné de ces instructions.

## SYMBOLES

Les termes de mise en garde suivants et leur signification ont pour but d'expliquer le degré de risques associé à l'utilisation de ce produit.



SYMBOLE	SIGNAL	SIGNIFICATION
	<b>DANGER :</b>	Indique une situation dangereuse qui, si elle n'est pas évitée, aura pour conséquences des blessures graves ou mortelles.
	<b>AVERTISSEMENT :</b>	Indique une situation dangereuse qui, si elle n'est pas évitée, pourrait entraîner des blessures graves ou mortelles.
	<b>ATTENTION :</b>	Indique une situation dangereuse qui, si elle n'est pas évitée, pourrait entraîner des blessures légères ou de gravité modérée.
	<b>AVIS :</b>	(Sans symbole d'alerte de sécurité) Indique les informations jugées importantes sans toutefois représenter un risque de blessure (ex. : messages concernant les dommages matériels).

Certains des symboles ci-dessous peuvent être utilisés sur produit. Veiller à les étudier et à apprendre leur signification. Une interprétation correcte de ces symboles permettra d'utiliser produit plus efficacement et de réduire les risques.

SYMBOLE	NOM	DÉSIGNATION / EXPLICATION
	<b>Symbole d'alerte de sécurité</b>	Indique un risque de blessure potentiel.
	<b>Lire manuel d'utilisation</b>	Pour réduire les risques de blessures, l'utilisateur doit lire et veiller à bien comprendre le manuel d'utilisation avant d'utiliser ce produit.
	<b>Protection oculaire</b>	Toujours porter une protection oculaire avec écrans latéraux certifiée conforme à la norme ANSI Z87.1.
	<b>Avertissement concernant l'humidité</b>	Ne pas exposer à la pluie ou l'humidité.
	<b>Surface brûlante</b>	Pour éviter les risques de blessures ou de dommages, éviter tout contact avec les surfaces brûlantes.

# SYMBOLES

Certains des symboles ci-dessous peuvent être utilisés sur produit. Veiller à les étudier et à apprendre leur signification. Une interprétation correcte de ces symboles permettra d'utiliser produit plus efficacement et de réduire les risques.

SYMBOLE	NOM	DÉSIGNATION / EXPLICATION
	Risque d'éclatement	Ne pas faire fonctionner le gonfleur de manière à éviter une sortie de pression plus élevée que la pression maximale de l'article à gonfler. Ne pas utiliser une pression de plus de 150 PSI.
	Symboles de recyclage	Ce produit utilise les piles de lithium-ion (Li-ion). Les réglementations locales ou gouvernementales peuvent interdire de jeter les piles dans les ordures ménagères. Consulter les autorités locales compétentes pour les options de recyclage et/ou l'élimination.
V	Volts	Tension
min	Minutes	Temps
==	Courant continu	Type ou caractéristique du courant
n <sub>0</sub>	Vitesse à vide	Vitesse de rotation à vide
.../min	Par minute	Révolutions, coups, vitesse périphérique, orbites, etc., par minute

## CARACTÉRISTIQUES

### FICHE TECHNIQUE

Longueur du flexible..... 508 mm (20 po)

Pression maximum..... 150 PSI

Cycle de service..... 5 min en marche/5 min d'arrêt

Manomètre .....Affichage numérique (PSI)

## ASSEMBLAGE

### AVERTISSEMENT :

Ne pas utiliser le produit s'il n'est pas complètement assemblé ou si des pièces semblent manquantes ou endommagées. L'utilisation d'un produit dont l'assemblage est incorrect ou incomplet ou comportant des pièces endommagées ou absentes représente un risque de blessures graves.

### AVERTISSEMENT :

Ne pas essayer de modifier cet outil ou de créer des pièces et accessoires non recommandés. De telles altérations ou modifications sont considérées comme un usage abusif et peuvent créer des conditions dangereuses, risquant d'entraîner des blessures graves.

Si des pièces manquent ou sont endommagées, veuillez appeler au 1-800-776-5191 pour obtenir de l'aide.

## UTILISATION

### AVERTISSEMENT :

La familiarité avec l'outil ne doit pas faire oublier la vigilance. Ne pas oublier qu'une fraction de seconde d'inattention peut entraîner des blessures graves.

### AVERTISSEMENT :

Toujours porter une protection oculaire avec écrans latéraux certifiée conforme à la norme ANSI Z87.1. Ne pas suivre cette directive pourrait entraîner des blessures graves, par exemple si l'appareil projetait des objets dans vos yeux.

### AVERTISSEMENT :

Ne pas utiliser d'outils ou d'accessoires non recommandés par le fabricant de l'outil. L'utilisation de pièces et accessoires non recommandés peut entraîner des blessures graves.

### AVERTISSEMENT :

Ne pas laisser les articles à gonfler sans surveillance lorsque l'accessoire de gonflage est utilisé. Ces articles peuvent éclater et provoquer de graves blessures.

# UTILISATION

## AVIS :

L'accessoire de gonflage n'est pas conçu pour une application continue. Toutes les dix minutes d'utilisation, arrêter l'accessoire de gonflage et le laisser refroidir pendant dix minutes.

## AVERTISSEMENT :

L'affichage de pression n'étant pas étalonné et pouvant indiquer des valeurs non exactes, la pression des pneus doit être vérifiée à l'aide d'un manomètre étaloné avant de conduire un véhicule dont les pneus ont été gonflés avec l'accessoire de gonflage. La conduite d'un véhicule avec des pneus mal gonflés peut entraîner de graves blessures.

## AVIS :

L'accessoire de gonflage peut gonfler jusqu'à 150 PSI. Pour éviter le surgonflage, suivre avec soin les instructions indiquées sur les articles à gonfler. Pour éviter d'endommager les produits, ne jamais les gonfler au-delà des pressions recommandées.

## APPLICATIONS

Cet accessoire de gonflage peut être utilisé pour les applications ci-dessous :

- Gonfle les articles comme les pneus de motocyclettes, de voitures et de bicyclettes

**NOTE :** L'accessoire de gonflage n'est pas conçu pour une application commerciale.

## AVERTISSEMENT :

Les outils à piles sont toujours en état de fonctionnement. Toujours retirer la pile de l'outil au moment d'assembler des pièces, d'effectuer des réglages et de procéder au nettoyage, ou lorsque l'outil n'est pas utilisé. Le fait de retirer la pile permet d'empêcher un démarrage accidentel pouvant entraîner des blessures graves.

## INSTALLATION/RETRAIT DU BLOC-PILES

Voir la figure 1, page 8.

- Verrouiller la gâchette en mettant le sélecteur de sens de rotation en position centrale.
- Insérer la pile dans l'outil comme illustré.
- S'assurer que le loquet du bloc-piles s'enclenchent correctement et que le bloc-pile est sécurisé au l'outil avant de mettre sous tension.
- Appuyer sur le loquet et tirer pour libérer et retirer le bloc-piles.

Pour prendre connaissance des consignes de chargement, consulter le manuel d'utilisation des piles et des chargeurs.

## RANGEMENT DES TUYAU À AIR ET ACCESSOIRES

Voir les figures 2 et 3, page 8.

Lorsque le gonfleur n'est pas utilisé, insérer le boyau dans le compartiment de rangement situé sur le dessus de l'outil.

Le gonfleur peut être suspendu à un panneau perforé en

utilisant les trous situés sur le dessus du logement de l'outil.

Les accessoires (adaptateur et aiguilles) fournis avec l'accessoire de gonflage peuvent être placés dans le compartiment de rangement situé sur le côté juste de l'outil.

## MANOMÈTRE NUMÉRIQUE

Voir la figure 4, page 9.

La manomètre numérique sur le gonfleur sert de manomètre et surveille la pression exercée sur l'objet qui est gonflé.

Pour mettre le manomètre numérique en marche, installer le bloc-pile et appuyer sur la gâchette.

**NOTE:** La manomètre numérique s'arrêtera automatiquement lorsqu'elle est inactive pendant 30 secondes.

## UTILISATION DE GONFLAGE

Voir les figures 5 et 6, page 9.

- Installer le bloc-pile.
- Placer l'attache du mandrin pneumatique en position déverrouillée perpendiculairement au flexible.
- Placer le mandrin sur la tige de valve.
- Pousser le mandrin vers le bas de sorte que la section filetée de la tige soit à l'intérieur du mandrin.
- Attacher l'extrémité du mandrin vers le bas sur la tige en pressant l'attache du mandrin vers le bas jusqu'à ce qu'elle s'arrête ou soit parallèle au flexible pneumatique.

## AVERTISSEMENT :

Des accessoires ou des conduits mal attachés peuvent se détacher sous la pression et causer de graves blessures. Des fuites d'air possibles peuvent causer des résultats de pression erronés. S'assurer que toutes les connexions sont bien serrées.

- Appuyer sur la gâchette et une mesure s'affichera sur la jauge.

**NOTE :** Lors du gonflage, la mesure de pression indiquée sur la jauge représente la pression fluctuante entre l'objet et le tuyau d'air. Pour obtenir une mesure précise, relâcher la gâchette et attendre que la mesure s'ajuste.

- Le manomètre indiquera la pression en PSI. Lorsque la pression voulue est atteinte, relâcher la gâchette et débrancher le gonfleur.

**NOTE :** La pression maximale de cet appareil est de 150 PSI.

## AVIS :

Toujours laisser le flexible basse pression dégagé de toute obstruction lorsqu'il n'est pas utilisé. Une surchauffe peut avoir lieu lorsque le flexible basse pression est obstrué.

## ACCESSOIRES

Voir les figures 7 à 9, page 9.

Les accessoires fournis permettent d'effectuer une variété de fonctions. L'adaptateur effilé de soupape peut être utilisé sur les valves à pincement plus petites pour gonfler des articles tels que flotteurs ou jouets, qui nécessitent en général d'être

# UTILISATION

gonflés par l'utilisateur. L'aiguille arborer la balle peut être utilisée pour gonfler tout type de ballons de sport et tout autre article nécessitant une aiguille arborer la balle de gonflage.

**NOTE :** Pour le gonflage d'articles de 10 PSI ou moins, gonfler par petites pulsations et vérifier après chacune d'entre elles au toucher ou avec un manomètre étalonné pour déterminer la pression précise.

## L'AIGUILLE ARBORER LA BALLE

### AVIS :

Insérer l'aiguille du ballon de sport seulement lorsque sa base affleure la surface du mandrin à air. Ne pas insérer l'aiguille du ballon de sport entièrement dans le mandrin. Une mauvaise pose de l'aiguille peut endommager la jauge, le mandrin à air ou d'autres pièces du gonfleur.

- Insérer l'aiguille arborer la balle dans la valve du ballon de sport et gonfler.
- Retirer l'aiguille arborer la balle après le gonflage.

**NOTE :** La pression requise pour la plupart des ballons de sport est trop faible pour une lecture précise sur le manomètre.

## ADAPTATEUR DE VALVE PRESTA

Avant de gonfler un pneu avec valve Presta, desserrer l'écrou de blocage sur la tige de la valve pour gonfler. Une fois le gonflage terminé, serrer l'écrou de blocage pour fermer la valve du pneu.

- Desserrer l'écrou de blocage de la valve Presta.
- Fileter l'adaptateur de valve Presta sur la tige de la valve avec l'ouverture la plus grande vers la roue.
- Placer l'attache du mandrin pneumatique en position verrouillée.
- Attacher l'extrémité du mandrin pneumatique sur l'adaptateur de valve Presta en appuyant sur l'attache du mandrin pneumatique jusqu'à ce qu'elle se verrouille en place.
- Après le gonflage, retirer le mandrin et serrer l'écrou de blocage.

# ENTRETIEN

## ⚠ AVERTISSEMENT :

Utiliser exclusivement des pièces d'origine pour les réparations. L'usage de toute autre pièce pourrait créer une situation dangereuse ou endommager l'produit.

## ⚠ AVERTISSEMENT :

Toujours porter une protection oculaire avec écrans latéraux certifiée conforme à la norme ANSI Z87.1. Ne pas suivre cette directive pourrait entraîner des blessures graves, par exemple si l'appareil projetait des objets dans vos yeux.

## ENTRETIEN GÉNÉRAL

Éviter d'utiliser des solvants pour le nettoyage des pièces en plastique. La plupart des matières plastiques peuvent être endommagées par divers types de solvants du commerce. Utiliser un chiffon propre pour éliminer la saleté, la poussière, l'huile, la graisse, etc.

## ⚠ AVERTISSEMENT :

Ne jamais laisser de liquides tels que le fluide de freins, l'essence, les produits à base de pétrole, les huiles pénétrantes, etc., entrer en contact avec les pièces en plastique. Les produits chimiques peuvent endommager, affaiblir ou détruire le plastique, ce qui peut entraîner des blessures graves.

**NOTE : ILLUSTRATIONS COMMENÇANT SUR 8 DE PAGE APRÈS LA SECTION ESPAGNOL.**



# REGLAS DE SEGURIDAD GENERALES

## ⚠ ¡ADVERTENCIA!

**LEA Y COMPRENDA TODAS LAS INSTRUCCIONES.** El incumplimiento de las instrucciones señaladas abajo puede causar descargas eléctricas, incendios y lesiones serias.

## ⚠ ¡ADVERTENCIA!

Siempre se deben tomar precauciones básicas al usar aparatos eléctricos, incluidas las siguientes:

## GUARDE ESTAS INSTRUCCIONES

### ÁREA DE TRABAJO

- **Mantenga limpia y bien iluminada el área de trabajo.** Una mesa de trabajo mal despejada y una mala iluminación son causas comunes de accidentes.
- **Mantenga alejados a los circunstantes, niños y demás presentes mientras se utiliza el inflador.** Toda distracción puede causar la pérdida del control de la herramienta.
- **Utilice el inflador en un área abierta por lo menos a 457 mm (18 pulg.) de cualquier pared u objeto que pudiera restringir el flujo de aire fresco a las aberturas de ventilación.**

### SEGURIDAD EN EL MANEJO DE EQUIPO ELÉCTRICO

- **Para reducir el riesgo de descarga eléctrica, no ponga el inflador en el agua ni en otro líquido.** No coloque ni guarde el aparato donde pueda caer o ser arrastrado a una bañera, lavamanos o fregadero.
- **Usar este producto únicamente con la baterías y el cargadores indicados en el folleto de la herramienta/aparato/paquete de baterías/cargador complementario 995000850.**

### SEGURIDAD PERSONAL

- **Permanezca alerta, preste atención a lo que esté haciendo y aplique el sentido común al utilizar un inflador. No utilice el inflador si está cansado o se encuentra bajo los efectos de alguna droga, alcohol o medicamento.** Un segundo de inatención mientras se acciona el inflador puede ocasionar lesiones corporales graves.
- **Vístase adecuadamente. No vista ropas holgadas ni joyas. Recójase el cabello si está largo. Mantenga el cabello, la ropa y los guantes alejados de las piezas móviles.** Las ropas holgadas, las joyas y el cabello largo pueden engancharse en las piezas móviles.
- **No estire el cuerpo para alcanzar un distancia mayor a la natural. Mantenga una postura firme y buen equilibrio en todo momento.** La postura firme y el buen equilibrio permiten un mejor control del inflador portátil en situaciones inesperadas.
- **Use equipo de seguridad. Siempre póngase protección ocular.** Cuando lo exijan las circunstancias debe ponerse careta contra el polvo, zapatos de seguridad antiderrapantes, casco o protección auditiva.

- **Se requiere protección ocular contra sujetadores y desechos que salgan disparados, los cuales pueden causar lesiones oculares graves.**
- **No vista ropas holgadas ni joyas. Recójase el cabello si está largo.** Las ropas holgadas y las joyas, así como el cabello largo, pueden resultar atraídas hacia el interior de las aberturas de ventilación.
- **No utilice la unidad al estar en una escalera o en un soporte inestable.** Una postura estable sobre una superficie sólida permite un mejor control del inflador portátil en situaciones inesperadas.
- **No desarme el inflador.**
- **No utilice el inflador cerca de líquidos inflamables ni en entornos gaseosos o explosivos.** Las chispas internas pueden inflamar las emanaciones.
- **No cargue herramientas de baterías en lugares mojados o húmedos. No lo utilice, guarde o cargue la paquete de baterías o la unidad en lugares donde la temperatura sea inferior a 10 °C (50 °F) o superior a 38 °C (100 °F).** No guarde la herramienta a la intemperie ni en el interior de vehículos.

### EMPLEO Y CUIDADO DEL INFLADOR

- **Antes de usar la unidad revise las mangueras para ver muestran daños o desgaste, asegurándose de que estén seguras todas las conexiones.** No utilice la unidad si encuentra algún defecto. Adquiera una manguera nueva o lleve la unidad a un centro de servicio autorizado para que la examinen y reparen.
- **Purgue lentamente todas las presiones internas del sistema.** El polvo y la basura pueden ser dañinos.
- **No utilice el inflador si el interruptor no enciende o no apaga.** Un inflador que no pueda controlarse con el interruptor es peligroso y debe repararse.
- **Ponga el interruptor en la posición de apagado antes de efectuar ajustes, cambiar accesorios o guardar el inflador.** Tales medidas preventivas de seguridad reducen el riesgo de poner en marcha accidentalmente el inflador.
- **Guarde los infladores desocupados fuera del alcance de los niños y de toda persona no capacitada.** Los infladores son peligrosos en manos de personas no capacitadas en su uso.
- **Verifique si las piezas móviles están desalineadas o atascadas, si hay piezas rotas o si existe cualquier otra irregularidad que pueda afectar el funcionamiento del inflador. Si se daña el inflador, hágalo reparar antes de volver a utilizarlo.** Numerosos accidentes son causados por herramientas mal cuidadas.
- **Sólo utilice accesorios recomendados por el fabricante para cada modelo en particular.** Los accesorios que pueden ser adecuados para un inflador pueden producir lesiones si se usan con otro.
- **Mantenga el inflador y su mango secos, limpios y sin restos de aceite o grasa.** Siempre utilice un paño limpio para limpiar la unidad. Nunca utilice fluidos para frenos, gasolina, productos a base de petróleo ni solventes fuertes para limpiar el inflador. Con el cumplimiento de esta regla

# REGLAS DE SEGURIDAD GENERALES

se reduce el riesgo de una pérdida de control y el deterioro del alojamiento de plástico de la unidad.

- **Nunca apunte el inflador hacia sí mismo u otras personas.**
- **Mantenga el exterior del inflador seco, limpio y sin restos de aceite o grasa.** Siempre utilice un paño limpio para la limpieza de la unidad. Nunca utilice fluidos para frenos, gasolina, productos a base de petróleo ni solventes fuertes para limpiar la unidad. Con el cumplimiento de esta regla se reduce el riesgo de deterioro del alojamiento plástico de la unidad.
- **No sobrepase la presión nominal de ningún componente del sistema.**
- **Proteja de daños y perforaciones los conductos de material y de aire.** Mantenga la manguera y el cordón de alimentación lejos de objetos afilados, productos químicos derramados, aceite, solventes y pisos mojados.

# REGLAS DE SEGURIDAD ESPECÍFICAS

- **Familiarícese con el inflador.** Lea cuidadosamente el manual del operador. Aprenda sus usos y limitaciones, así como los posibles peligros específicos de esta herramienta. Con el cumplimiento de esta regla se reduce el riesgo de una descarga eléctrica, incendio o lesión seria.
- **Riesgo de estallido.** No preajuste el inflador de modo que la presión de salida resulte mayor que la máxima presión indicada para el artículo que se va a inflar. No use una presión superior a 150 PSI.
- **Para reducir el riesgo de una descarga eléctrica,** no exponga la unidad a la lluvia. Guarde la unidad en el interior.
- **Inspeccione el herramienta para verificar grietas, agujeros u otras imperfecciones que puedan tornar inseguro el uso del inflador.** Nunca recortar ni hacer orificios en el inflador.
- **Asegúrese de que la manguera no esté obstruida ni enganchada.** Si la manguera se enreda o engancha puede causar una pérdida del equilibrio o postura y puede dañarse.
- **Use el inflador sólo para su fin indicado. No altere ni modifique la unidad con respecto a su diseño y funcionamiento originales.**
- **Siempre tenga presente que el uso y manejo indebidos de este inflador puede ocasionarles lesiones a usted y a otras personas.**
- **Nunca deje desatendido el inflador con la manguera de aire conectada con el tema inflado.**
- **No continúe usando infladores o mangueras que tenga fugas de aire o que no funcionen correctamente.**
- **Siempre desconecte el suministro de aire y el de energía eléctrica antes de efectuar ajustes o dar servicio al inflador o cuando no lo esté usando.**
- **No intente tirar del inflador o transportarlo por la manguera.**

## SERVICIO

- **El servicio del inflador sólo debe ser efectuado por personal de reparación calificado.** Todo servicio o mantenimiento efectuado por personal no calificado puede significar un riesgo de lesiones.
- **Al dar servicio al inflador, utilice sólo piezas de repuesto idénticas. Siga las instrucciones señaladas en la sección Mantenimiento de este manual.** El empleo de piezas no autorizadas o el incumplimiento de las instrucciones de mantenimiento puede significar un riesgo de descarga eléctrica o de lesiones.

- **Siempre siga todas las reglas de seguridad recomendadas por el fabricante del inflador, además de todas las reglas de seguridad del inflador.** Con el cumplimiento de esta regla se reduce el riesgo de lesiones serias.
- **Para uso doméstico únicamente.**
- **No utilice este inflador cuando un dispositivo que respira.**
- **Nunca dirija un chorro de aire comprimido hacia personas o animales. Tenga cuidado de no soplar polvo o tierra hacia sí u otras personas.** Con el cumplimiento de esta regla se reduce el riesgo de posibles lesiones serias.
- **Protéjase los pulmones.** Use una careta o mascarilla contra el polvo si la operación genera mucho polvo. Con el cumplimiento de esta regla se reduce el riesgo de lesiones corporales serias
- **No utilice este inflador para rociar productos químicos.** Pueden resultar afectados los pulmones debido a la inhalación de emanaciones tóxicas.
- **Revise para ver si hay piezas dañadas. Antes de seguir utilizando el inflador o la herramienta neumática, es necesario inspeccionar cuidadosamente toda protección o pieza que esté dañada para determinar si puede funcionar correctamente y desempeñar su función correspondiente.**
- **Verifique la alineación de las partes móviles, que no haya atoramiento de las mismas, que no haya piezas rotas, el montaje de las piezas y cualquier otra condición que pudiera afectar su funcionamiento. Toda protección o pieza que esté dañada debe repararse apropiadamente o reemplazarse en un centro de servicio autorizado.** Con el cumplimiento de esta regla se reduce el riesgo de una descarga eléctrica, incendio o lesión grave.
- **Riesgo de estallido.** Preste atención a objetos durante la inflación.

# REGLAS DE SEGURIDAD ESPECÍFICAS

- **Para reducir el riesgo de excesos en la presión de inflado,** usar un medidor calibrado periódicamente durante la inflación. La manómetro integrado solamente debe tomarse como referencia y no arroja necesariamente valores exactos.
- **Nunca deje desatendida la inflador funcionando.**
- **Nunca bloquee las salidas de inflado o desinflado mientras opere la máquina.**
- **No utilice un paquete de baterías que esté dañado o modificado.** Las baterías dañadas o modificadas pueden tener un funcionamiento impredecible que provoque incendios, explosiones o riesgo de lesiones.
- **No modifique o intente reparar un paquete de baterías que esté dañado.**
- **No exponga el paquete de baterías o el artefacto al fuego o a temperaturas excesivas.** La exposición al fuego o a temperatura sobre los 130 °C (265 °F) puede provocar explosiones.
- **Siga todas las instrucciones de carga y no cargue el paquete de baterías ni el aparato fuera del rango de temperaturas especificado en las instrucciones.** Si realiza la carga en forma incorrecta o fuera de las temperaturas del rango especificado puede dañar la batería y aumentar el riesgo de incendios.
- **Verifique que un técnico de reparación calificado haga el mantenimiento usando solo repuestos idénticos.** De esta manera se mantiene la seguridad del product.
- **Deje enfriar la bomba** durante cinco (5) minutos cada cinco (5) de uso continuo. Nunca bloquee las salidas de inflado o desinflado mientras opere la máquina.
- **Guarde estas instrucciones.** Consúltelas con frecuencia y empléelas para instruir a otras personas que puedan utilizar esta herramienta. Si presta a alguien esta herramienta, facilítele también las instrucciones.

## SÍMBOLOS

Las siguientes palabras de señalización y sus significados tienen el objeto de explicar los niveles de riesgo relacionados con este producto.



SÍMBOLO	SEÑAL	SIGNIFICADO
	<b>PELIGRO:</b>	Indica una situación peligrosa, la cual, si no se evita, causará la muerte o lesiones serias.
	<b>ADVERTENCIA:</b>	Indica una situación peligrosa, la cual, si no se evita, podría causar la muerte o lesiones serias.
	<b>PRECAUCIÓN:</b>	Indica una situación peligrosa, la cual, si no se evita, podría causar lesiones menores o leves.
	<b>AVISO:</b>	(Sin el símbolo de alerta de seguridad) Indica la información que se considera importante, pero no relacionada con lesiones potenciales (por ej. en relación a daños a la propiedad).

Es posible que se empleen en este producto algunos de los siguientes símbolos. Le suplicamos estudiarlos y aprender su significado. Una correcta interpretación de estos símbolos le permitirá utilizar mejor y de manera más segura el producto.

SÍMBOLO	NOMBRE	DENOMINACIÓN/EXPLICACIÓN
	<b>Alerta de seguridad</b>	Indica un peligro posible de lesiones personales.
	<b>Lea el manual del operador</b>	Para reducir el riesgo de lesiones, el usuario debe leer y comprender el manual del operador antes de usar este producto.
	<b>Protección ocular</b>	Siempre póngase protección ocular con protección lateral con la marca de cumplimiento de la norma ANSI Z87.1.
	<b>Alerta de condiciones húmedas</b>	No exponga la unidad a la lluvia ni la use en lugares húmedos.
	<b>Superficie caliente</b>	Para reducir el riesgo de lesiones corporales o daños materiales evite tocar toda superficie caliente.

# SÍMBOLOS

Es posible que se empleen en este producto algunos de los siguientes símbolos. Le suplicamos estudiarlos y aprender su significado. Una correcta interpretación de estos símbolos le permitirá utilizar mejor y de manera más segura el producto.

SÍMBOLO	NOMBRE	DENOMINACIÓN/EXPLICACIÓN
	<b>Riesgo de explosión</b>	No accione el inflador para producir una presión de salida superior a la presión máxima marcada en el elemento a inflar. No use una presión superior a 150 PSI.
	<b>Símbolo de reciclado</b>	Este producto utiliza baterías de iones de litio (Li-ion). Es posible que algunas leyes municipales, estatales o federales prohíban desechar las baterías en la basura normal. Consulte a las autoridades reguladoras de desechos para obtener información en relación con las alternativas de reciclado y desecho disponibles.
V	<b>Volts</b>	Voltaje
min	<b>Minutos</b>	Tiempo
≡	<b>Corriente continua</b>	Tipo o característica de corriente
n <sub>0</sub>	<b>Velocidad en vacío</b>	Velocidad de rotación, en vacío
.../min	<b>Por minuto</b>	Revoluciones, carreras, velocidad superficial, órbitas, etc., por minuto

## CARACTERÍSTICAS

### ESPECIFICACIONES DEL PRODUCTO

Longitud de la manguera de presión ..... 508 mm (20 pulg.)  
 Presión máxima..... 150 PSI

Ciclo de trabajo ..... 5 minutos Enc./5 minutos Apag  
 Manómetro ..... Indicador digital (PSI)

## ARMADO

### ADVERTENCIA:

No use este producto si no está totalmente ensamblado o si alguna pieza falta o está dañada. El uso de un producto que no está adecuadamente y completamente ensamblado o posee partes dañadas o faltantes puede resultar en lesiones personales graves.

### ADVERTENCIA:

No intente modificar este producto ni crear aditamentos o accesorios que no estén recomendados para usar con este producto. Dichas alteraciones o modificaciones constituyen un uso indebido y podrían provocar una situación de riesgo que cause posibles lesiones personales graves.

Si hay piezas dañadas o faltantes, le suplicamos llamar al 1-800-776-5191, donde le brindaremos asistencia.

## FUNCIONAMIENTO

### ADVERTENCIA:

No permita que su familiarización con este producto le vuelva descuidado. Tenga presente que un descuido de un instante es suficiente para infligir una lesión grave.

### ADVERTENCIA:

Siempre póngase protección ocular con protección lateral con la marca de cumplimiento de la norma ANSI Z87.1. Si no cumple esta advertencia, los objetos que salen despedidos pueden producirle lesiones serias en los ojos.

### ADVERTENCIA:

No utilice ningún aditamento o accesorio no recomendado por el fabricante de esta herramienta. El empleo de aditamentos o accesorios no recomendados podría causar lesiones serias.

### ADVERTENCIA:

No deje desatendidos los artículos que se inflan con el inflador en funcionamiento. Podrían explotar y ocasionar lesiones graves.

# FUNCIONAMIENTO

## AVISO:

El inflador no está diseñado para uso continuo. Por cada diez minutos de uso del inflador, se requieren diez minutos de tiempo de enfriamiento cuando el inflador no está en uso.

## ⚠️ ADVERTENCIA:

Ya que el indicador de presión no está calibrado y, por lo tanto, no arroja necesariamente valores exactos, debe verificarse la presión de los neumáticos con un medidor calibrado antes de conducir el vehículo correspondiente. Conducir un vehículo cuyos neumáticos no tengan al presión correcta puede ocasionar lesiones graves.

## AVISO:

El inflador es capaz de inflar a 150 PSI. Para evitar inflar demasiado, siga cuidadosamente las instrucciones del artículo que vaya a inflar. Para evitar dañar el producto, nunca sobrepase las presiones recomendadas.

## USOS

Este inflador puede emplearse para el fin señalado a continuación:

- Inflar artículos como los neumáticos de motocicletas, automóviles y bicicletas.

**NOTA:** El inflador no está diseñado para aplicación comercial.

## ⚠️ ADVERTENCIA:

Las herramientas de baterías siempre están en condiciones de funcionamiento. Retire siempre el paquete de baterías de la herramienta antes de instalar las piezas, realizar ajustes, limpiarla o cuando no la utilice. Retirar el paquete de baterías evitará que la unidad se accione accidentalmente y provoque lesiones graves.

## INSTALACIÓN/DESMONTAR DEL PAQUETE DE BATERÍAS

Vea la figura 1, página 8.

- Coloque el paquete de baterías en el producto como se muestra.
- Asegúrese de que el pestillo del paquete de baterías entre a presión en su lugar, y de que el paquete quede bien asegurado en el taladro antes de empezar a utilizar éste.
- Presione los pestillo y tire para déclenchement et quitar el paquete de baterías.

Para obtener instrucciones específicas de carga, lea el manual del operador que se incluye con el cargador y la batería.

## COMPARTIMIENTO DE MANGUERA DE AIRE Y ACCESORIOS

Vea las figuras 2 y 3, página 8.

Cuando no use el inflador, presione la manguera dentro el área de almacenamiento en la parte superior de la herramienta.

Se puede colgar el inflador en un tablero de clavijas desde los orificios en la parte superior de la carcasa de la herramienta.

Los accesorios (adaptadores y agujas) incluidos con el inflador pueden guardarse en el compartimiento, situado en el lado correcto de la herramienta.

## MANÓMETRO DIGITAL

Vea la figura 4, página 9.

El medidor digital en el inflador sirve como un manómetro y controla la cantidad de presión que se aplica al elemento que se está inflando.

Para encender el manómetro digital, instale de la herramienta y oprima el gatillo del interruptor.

**NOTA:** El medidor digital se apagará automáticamente cuando no se use durante 30 segundos.

## USANDO EL INFLADOR

Vea las figuras 5 y 6, página 9.

- Instale el paquete de baterías.
- Sitúe la abrazadera del conector de inflado en posición de traba perpendicular a la manguera de aire.
- Sitúe el conector de inflado en el vástago de válvula.
- Oprima el conector de inflado de modo que la sección roscada del vástago de válvula quede dentro del conector de inflado.
- Fije el extremo del conector de inflado sobre el vástago de válvula presionando la abrazadera de conector de inflado hacia abajo hasta que pare o quede paralela a la manguera de aire.

## ⚠️ ADVERTENCIA:

Si no se fijan correctamente las mangueras o los accesorios, se pueden soltar al someterse a presión y ocasionar lesiones graves. Las fugas de aire potenciales pueden ocasionar lecturas de presión erradas. Cerciórese de que todas las conexiones estén firmes.

- Oprima el gatillo del interruptor y una lectura aparecerá en el medidor.

**NOTA:** La lectura de presión en el medidor mientras se infla es una medida de la presión fluctuante entre el elemento y la manguera de aire. Para obtener una lectura precisa, suelte el gatillo del interruptor y espere a que la lectura se ajuste.

- El manómetro indicará la presión en PSI. Cuando se alcance la presión deseada, suelte el interruptor disparador y desconecte el inflador.

**NOTA:** La PSI máxima para esta unidad es de 150 PSI.

## AVISO:

Cuando no esté en uso, siempre deje la manguera de baja presión libre de obstrucciones. Puede ocurrir sobrecalentamiento si la manguera de baja presión está bloqueada.



# FUNCIONAMIENTO

## ACCESORIOS

Veá las figuras 7 a 9, página 9.

Los accesorios suministrados cumplen una variedad de funciones. El adaptador conico la puede usarse en válvulas de presión más pequeñas para inflar artículos como, por ejemplo, flotadores y juguetes infantiles, los cuales normalmente exigen que el usuario los infle soplando en su interior. La Aguja pelota deportivo puede usarse para infla cualquier tipo de balón deportivo o cualquier artículo que requiera una Aguja pelota deportivo de inflado.

**NOTA:** Al inflar artículos a 10 PSI o menos, infle con descargas breves y, después de cada una, compruebe manualmente o con un medidor calibrado para determinar la presión exacta.

## AGUJA PELOTA DEPORTIVO

### AVISO:

Inserte la aguja de la pelota solo hasta que su base quede nivelada con la superficie del mandril de aire. No inserte la aguja de la pelota completamente en el mandril. Instalar la aguja de la pelota incorrectamente puede dañar el medidor, el mandril de aire u otras partes del inflador.

- Introduzca la aguja pelota deportivo en la válvula del balón deportivo e infle.
- Retire la agua al terminar de inflar.

**NOTA:** La presión que necesitan la mayoría de balones deportivos es demasiado baja para leerse en los manómetros con exactitud.

## ADAPTADOR DE VÁLVULA PRESTA

Antes de inflar un neumático con válvula Presta, suelte la contratuerca del vástago de válvula para poder inflar. Una vez inflado, apriete la contratuerca para cerrar la válvula del neumático.

- Suelte la contratuerca de la válvula Presta.
- Atornillar el adaptador de válvula Presta en el vástago de válvula con el extremo abierto más grande hacia la rueda.
- Ponga la abrazadera del conector de inflado en la posición de traba.
- Fije el extremo del conector de inflado en el adaptador de válvula Presta oprimiendo la abrazadera del conector de inflado hasta que se trabe en su lugar.
- Al terminar de inflar, retire el conector de inflado y apriete la contratuerca.

# MANTENIMIENTO

## ⚠ ADVERTENCIA:

Al dar servicio a la unidad, sólo utilice piezas de repuesto idénticas. El empleo de piezas diferentes puede causar un peligro o dañar el producto.

## ⚠ ADVERTENCIA:

Use siempre protección ocular con protección lateral con la marca de cumplimiento de la norma ANSI Z87.1. La inobservancia de esta advertencia puede causar el lanzamiento de objetos hacia los ojos y otras lesiones graves.

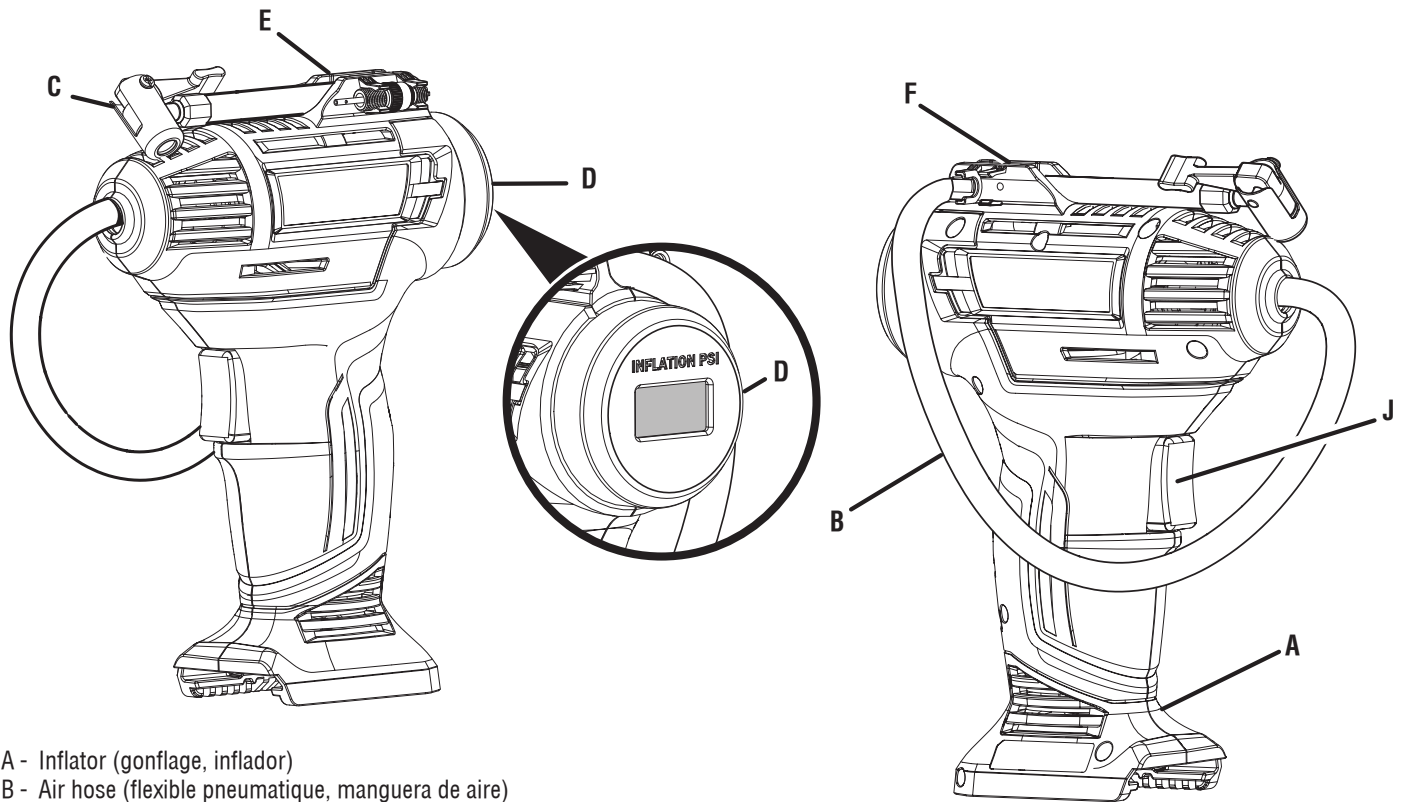
## MANTENIMIENTO GENERAL

Evite el empleo de solventes al limpiar piezas de plástico. La mayoría de los plásticos son susceptibles a diferentes tipos de solventes comerciales y pueden resultar dañados. Utilice paños limpios para eliminar la suciedad, el polvo, el aceite, la grasa, etc.

## ⚠ ADVERTENCIA:

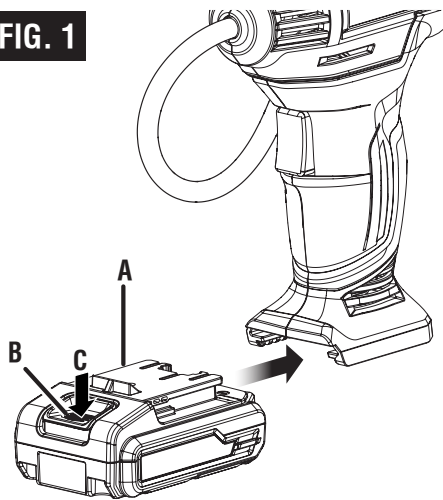
No permita en ningún momento que fluidos para frenos, gasolina, productos a base de petróleo, aceites penetrantes, etc., lleguen a tocar las piezas de plástico. Las sustancias químicas pueden dañar, debilitar o destruir el plástico, lo cual a su vez puede producir lesiones corporales serias.

# HPIF01/HPIF01TW



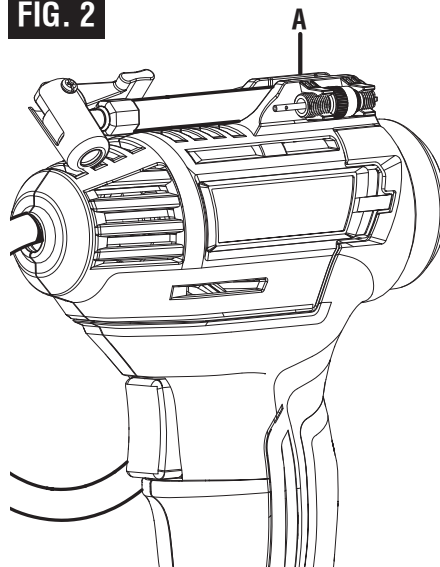
- A - Inflator (gonflage, inflador)
- B - Air hose (flexible pneumatique, manguera de aire)
- C - Air chuck (mandrin pneumatique, conector de inflado)
- D - Digital gauge (manomètre numérique, manómetro digital)
- E - Hose storage area (rangement des flexibles, compartimiento para mangueras)
- F - Accessory storage (rangement des accessoires, almacenamiento de accesorios)
- G - Tapered adaptor (adaptateur effilé, botón de adaptador cónico)
- H - Sport ball needle (aiguille arborer la balle, aguja para inflar pelotas deportivas)
- I - Presta valve adaptor (adaptateur de valve Presta, adaptador de válvula Presta)
- J - Switch trigger (gâchette, gatillo del interruptor)

**FIG. 1**



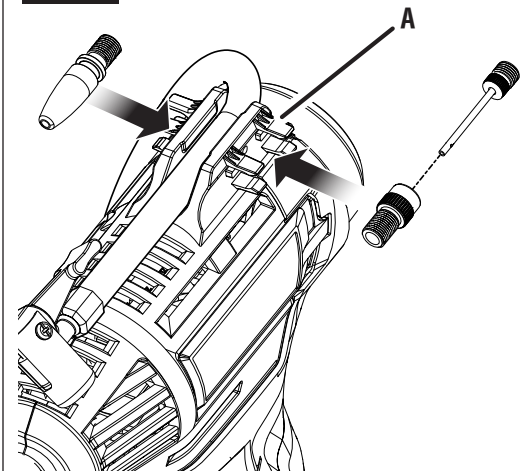
- A - Battery pack (bloc-piles, paquete de baterías)
- B - Latch (loquet, pestillo)
- C - Depress the latch and pull to release and remove the battery pack. (Appuyer sur le loquet et tirer pour libérer et retirer le bloc-piles, Presione los pestillo y tire para déclenchement et quitar el paquete de baterías)

**FIG. 2**

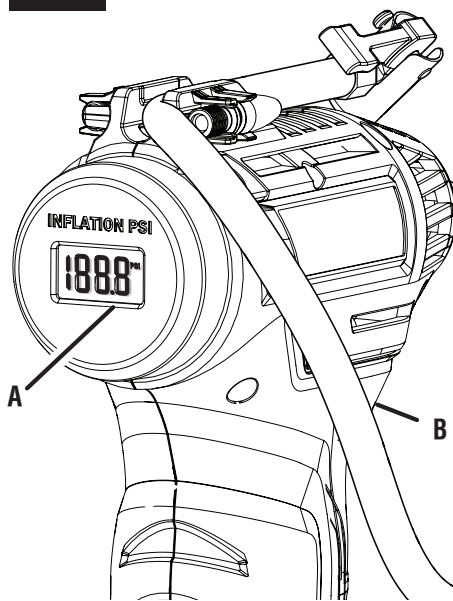


- A - Hose storage (rangement de flexibles pneumatique, compartimiento para manguera)

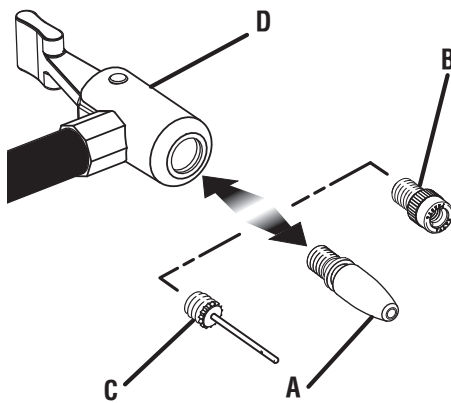
**FIG. 3**



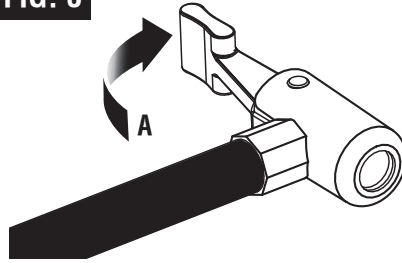
- A - Accessory storage (rangement pour accessoires, almacenamiento de accesorios)

**FIG. 4**

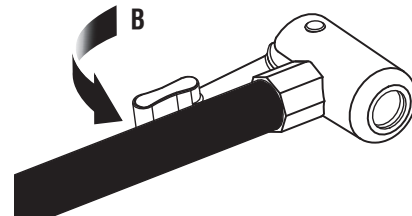
- A - Digital gauge (manomètre numérique, manómetro digital)  
 B - Switch trigger (gâchette, gatillo del interruptor)

**FIG. 7**

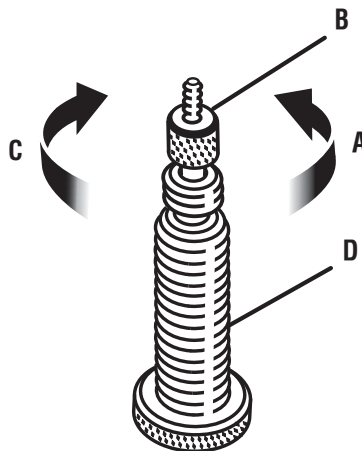
- A - Tapered adaptor (adaptateur effilé, botón de adaptador cónico)  
 B - Presta valve adaptor (adaptateur de valve Presta, adaptador de válvula Presta)  
 C - Sport ball needle (aiguille arborer la balle, aguja para inflar pelotas deportivas)  
 D - Air chuck (mandrin pneumatique, conector de inflado)

**FIG. 5**

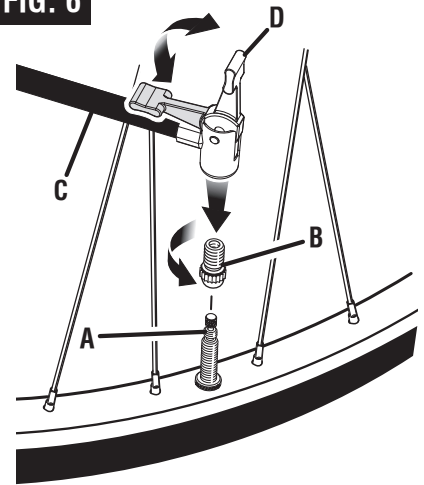
- A - Air chuck clamp in unlocked position (attache du mandrin pneumatique en position déverrouillée, abrazadera del conector de inflado en posición desbloquear)



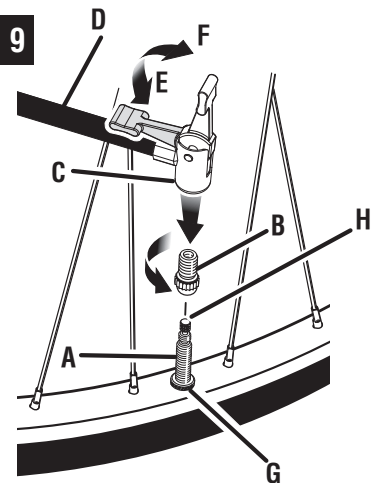
- B - Air chuck clamp in locked position (attache du mandrin pneumatique en position verrouillée, abrazadera del conector de inflado en posición trabada)

**FIG. 8**

- A - To loosen (pour desserrer, para aflojar)  
 B - Locking nut (écrou de blocage, contratuerca)  
 C - To tighten (pour serrer, para apretar)  
 D - Presta valve stem (tige de valve Presta, vástago de válvula Presta)

**FIG. 6**

- A - Valve stem (tige de valve, vástago de válvula)  
 B - Air chuck (mandrin pneumatique, conector de inflado)  
 C - Air hose (flexible pneumatique, manguera de aire)  
 D - Air chuck clamp (attache du mandrin pneumatique, abrazadera del conector de inflado)

**FIG. 9**

- A - Presta valve (valve Presta, válvula Presta)  
 B - Presta valve adaptor (adaptateur de valve Presta, adaptador de válvula Presta)  
 C - Air chuck (mandrin pneumatique, conector de inflado)  
 D - Air hose (flexible pneumatique, manguera de aire)  
 E - Air chuck clamp in locked position (attache du mandrin pneumatique en position verrouillée, abrazadera del conector de inflado en posición trabada)  
 F - Air chuck clamp in unlocked position (attache du mandrin pneumatique en position déverrouillée, abrazadera del conector de inflado en posición desbloquear)  
 G - Air chuck clamp (mandrin pneumatique, abrazadera del plato neumático)  
 H - Locking nut (écrou de blocage, contratuerca)









**HPIF01/HPIF01TW 20V**  
Inflator with Digital Gauge  
Gonflage avec Manomètre Numérique  
Inflador con Manómetro Digital

**Service  
Replacement parts  
Customer Support  
Technical Support  
Authorized Service Center Locations**

*Do not return this product to the store for missing parts or accessories.*

*When calling for service, please communicate  
the model and serial number located on the product data plate.*

*Register your product: <https://HARTtools.com/register>*

*Warranty details available at [www.HARTtools.com](http://www.HARTtools.com)*

*Proof of purchase is required to validate the 3-year limited Warranty.*

*HART, the HART logo and H logo  
are trademarks of Techtronic Cordless GP.*

**Service  
Pièces de rechange  
Soutien à la clientèle  
Soutien technique**

**Emplacements des centres de service autorisés**

*Ne pas retourner ce produit au magasin en cas de  
pièces ou accessoires manquants.*

*Lors de votre appel de service, veuillez transmettre le numéro  
de modèle et de série situés sur la plaquette de données du produit.*

*Enregistrer le produit : <https://HARTtools.com/register>*

*Les détails de la garantie sont disponibles sur [www.HARTtools.com](http://www.HARTtools.com)*

*Une preuve d'achat est requise pour valider la garantie limitée de 3 ans.*

*HART, le logo HART et le logo H sont des  
marques de commerce de Techtronic Cordless GP.*

**Servicio  
Piezas de repuesto  
Atención al cliente  
Soporte técnico  
Ubicaciones de centros de servicio autorizados**

*No devuelva este producto a la tienda si hay  
partes o accesorios faltantes.*

*Cuando llame para solicitar servicio, proporcione el modelo y número  
de serie ubicados en la placa de datos del producto.*

*Registre el producto: <https://HARTtools.com/register>*

*Los detalles de la garantía están disponibles en [www.HARTtools.com](http://www.HARTtools.com)*

*Para validar la garantía limitada de 3 años, se  
solicitará una prueba de compra.*

*HART, el logo de HART y el logo H son marcas  
de Techtronic Cordless GP.*

**[www.HARTtools.com](http://www.HARTtools.com)**

**1.800.776.5191**



**Hart Consumer Products, Inc.**  
P.O. Box 1348, Anderson, SC 29622