

REPAIR SHEET

BRAND

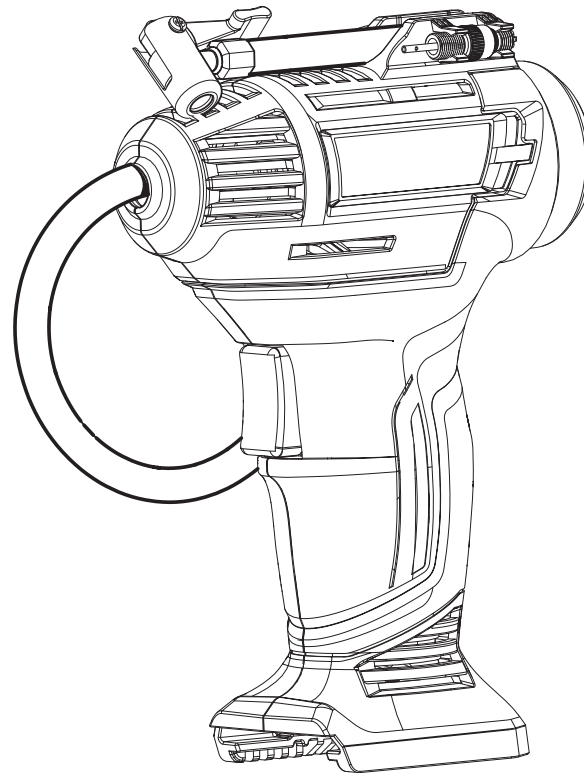
HART

DESCRIPTION

20 Volt Pistol Grip Inflator

MODEL NO.

HPIF01



HART CONSUMER PRODUCTS, INC.

P.O. Box 1348, Anderson, SC 29622 ■ 1-800-776-5191 ■ www.HARTtools.com

3-17-22 (Rev:03)

The model number and manufacturing location will be found on a label attached to the product. Always mention this information in all communications regarding this product and when ordering parts.



HPIF01

If a key number has multiple part numbers, please order the part that corresponds with the country of origin shown on the product's data label.
CN = China TW = Taiwan VN = Vietnam

PARTS LIST

KEY NO.	PART NO.	DESCRIPTION	QTY.
1	079077090904	Logo Label (HART)	1
2-CN	079077090901	Data Label	1
2-TW	079077106901	Data Label	1
2-VN	079077122901	Data Label	1
3	079077053906	Hose Wrap Label	1
4	079077090902	Warning Icons Label	1
5	079042004035	Tapered Adapter	1
6	079042001044	Ball Needle	1
7	079077093016	Presta Valve Adapter	1
Not Shown:			
	995000870	Operator's Manual (079077093905)	

