

REPAIR SHEET

BRAND

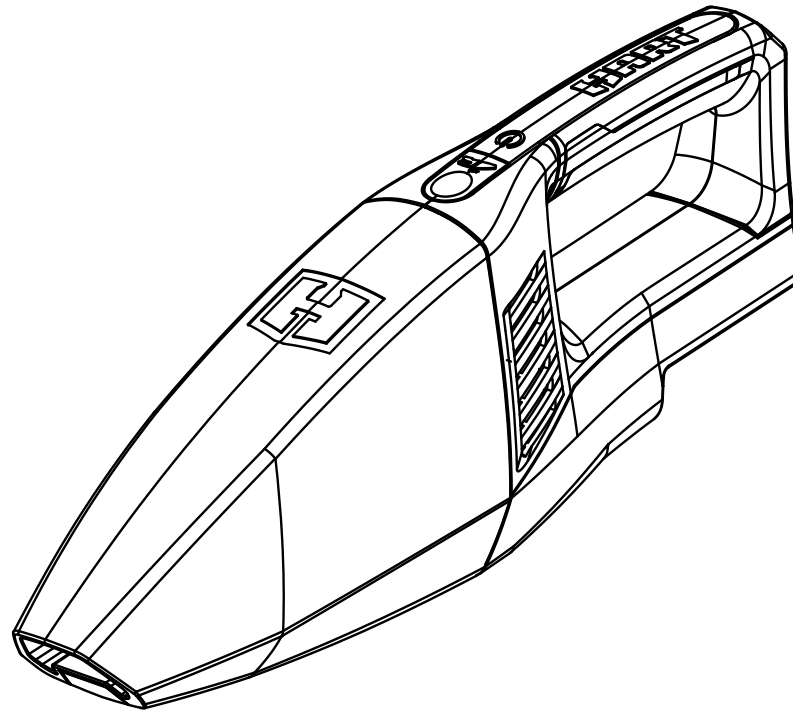
HART

DESCRIPTION

20 Volt Hand Vac

MODEL NO.

HPHV33



HART CONSUMER PRODUCTS, INC.

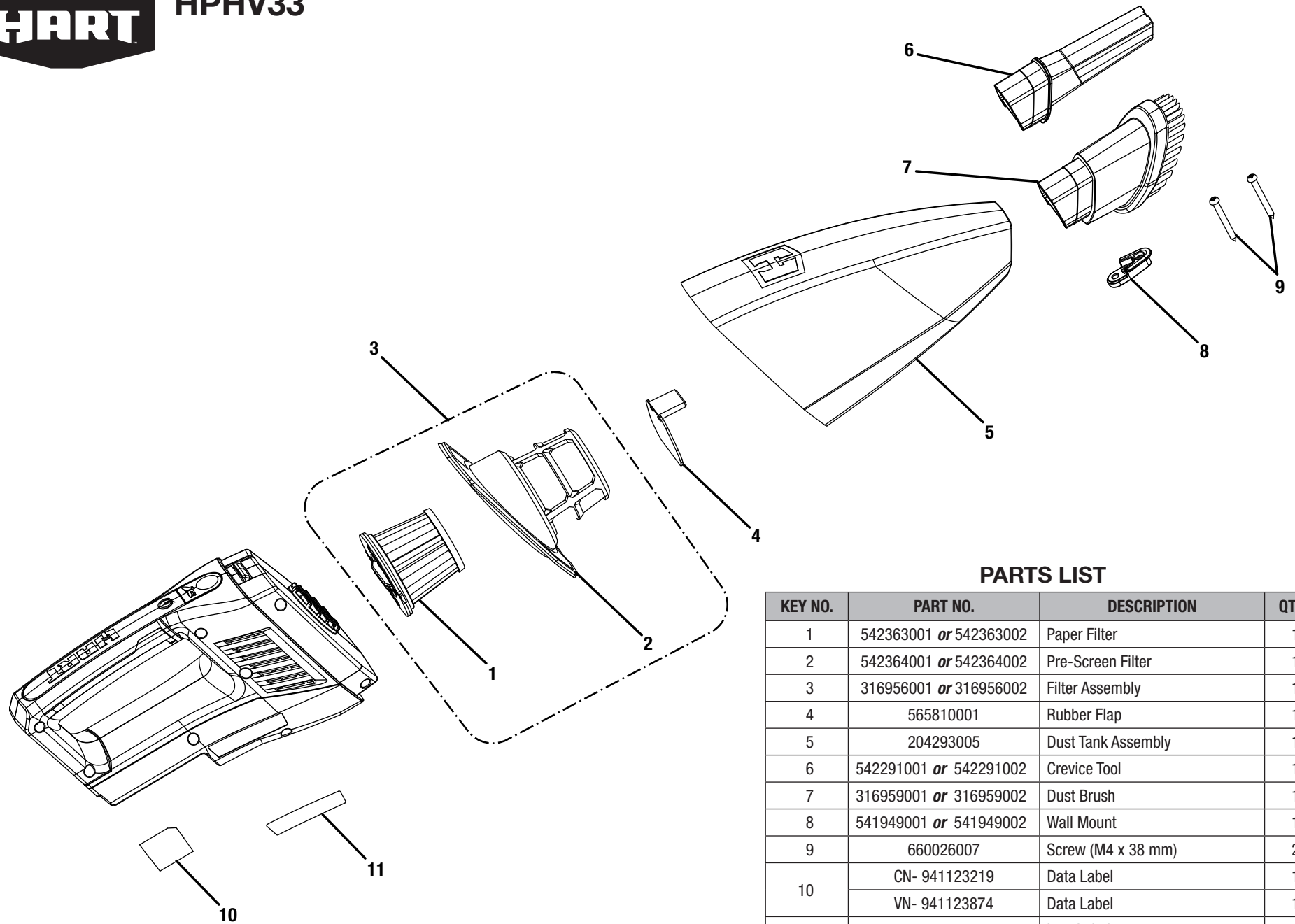
P.O. Box 1348, Anderson, SC 29622 ■ 1-800-776-5191 ■ www.HARTtools.com

10-18-23 (Rev:04)

The model number and manufacturing location will be found on a label attached to the product. Always mention this information in all communications regarding this product and when ordering parts.



HPHV33



PARTS LIST

KEY NO.	PART NO.	DESCRIPTION	QTY.
1	542363001 <i>or</i> 542363002	Paper Filter	1
2	542364001 <i>or</i> 542364002	Pre-Screen Filter	1
3	316956001 <i>or</i> 316956002	Filter Assembly	1
4	565810001	Rubber Flap	1
5	204293005	Dust Tank Assembly	1
6	542291001 <i>or</i> 542291002	Crevice Tool	1
7	316959001 <i>or</i> 316959002	Dust Brush	1
8	541949001 <i>or</i> 541949002	Wall Mount	1
9	660026007	Screw (M4 x 38 mm)	2
10	CN- 941123219	Data Label	1
	VN- 941123874	Data Label	1
11	941120698	Icon Label	1
Not Shown:			
	998000421	Operator's Manual (961153437)	