

**HART  
20 VOLT LED SPOTLIGHT  
MODEL NO. HPHL66  
REPAIR SHEET**

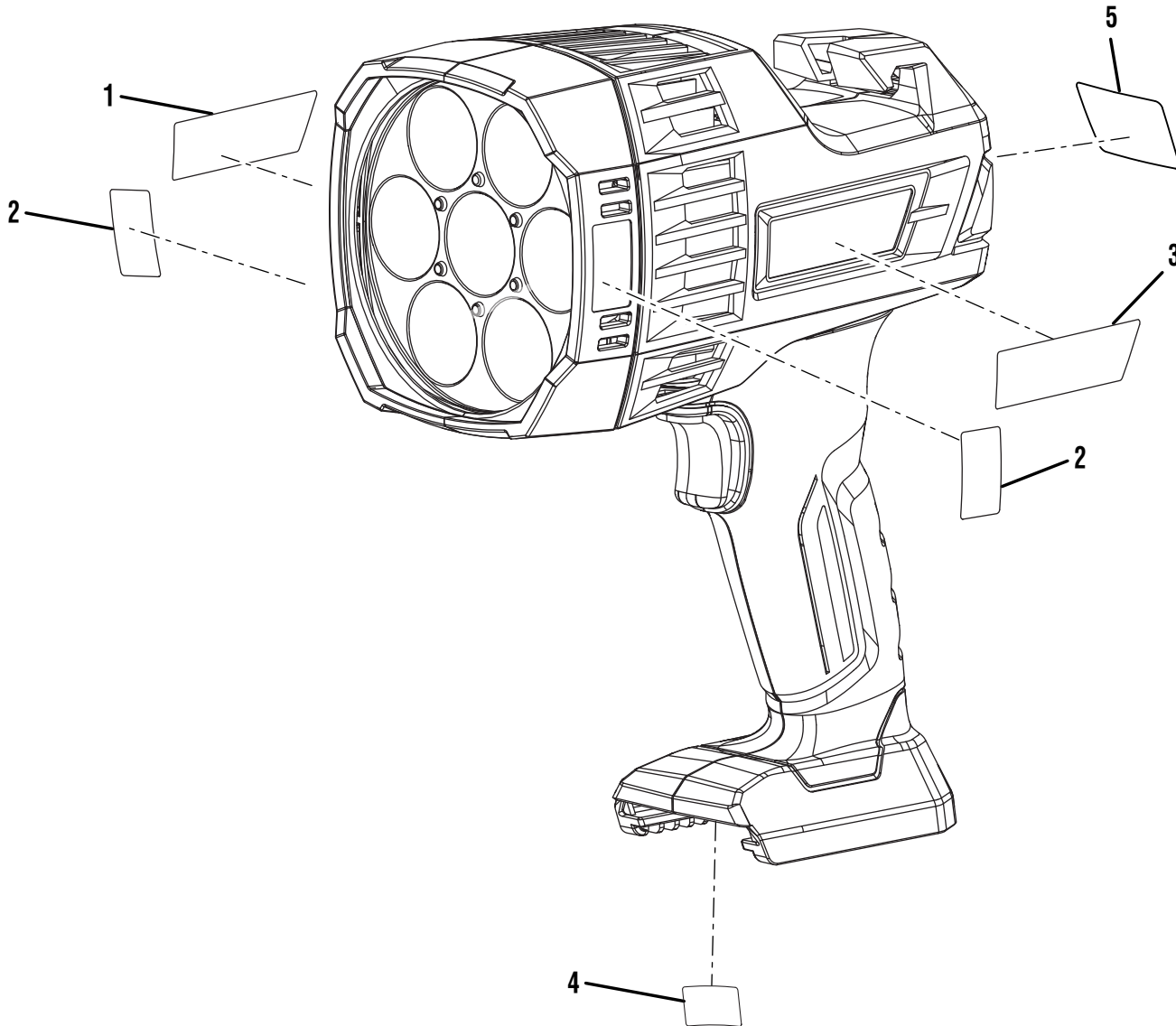
**Hart Consumer Products, Inc.**

P.O. Box 1348, Anderson, SC 29622

Phone 1-800-776-5191

[www.HARTtools.com](http://www.HARTtools.com)

HART 20V LED SPOTLIGHT – MODEL NO. HPHL66



## HART 20V LED SPOTLIGHT – MODEL NO. HPHL66

The model number will be found on a label attached to the housing. Always mention the model number in all correspondence regarding your **SPOTLIGHT** or when ordering replacement parts.

### PARTS LIST

KEY NO.	PART NUMBER	DESCRIPTION	QTY
1	01907400104K	Data Label .....	1
2	01907400105K	Lumen Callout Label .....	2
3	01907400101K	Logo Label .....	1
4	01906100104K	Battery Statement Label .....	1
5	01907400106K	H Shield Label .....	1
<b>Not Shown:</b>			
	998000035	Operator's Manual (01907400101Q)	
	12-12-12		
	(Rev:01)		