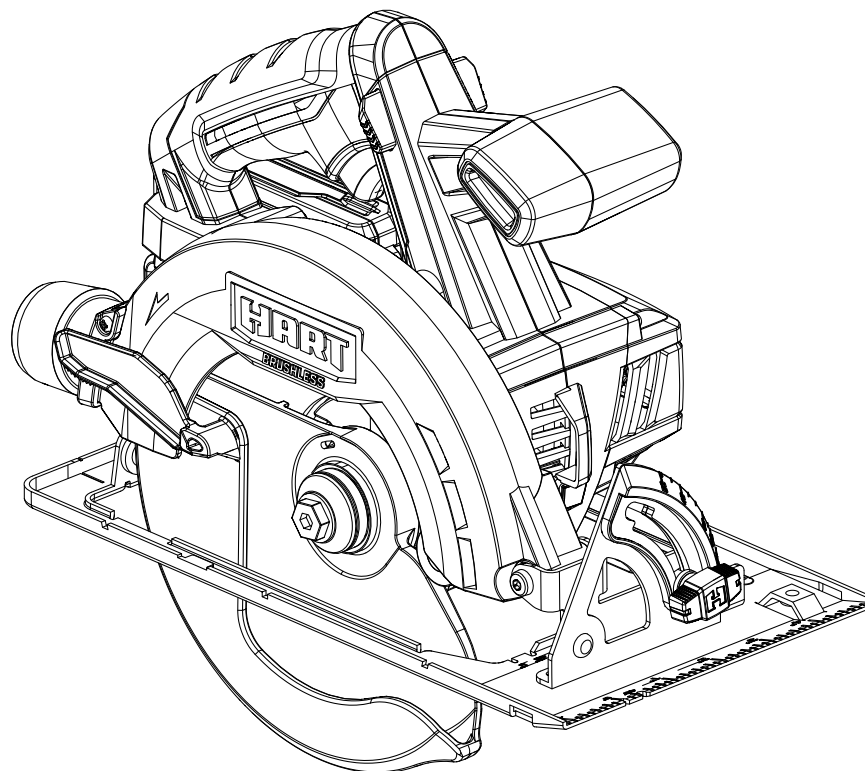


REPAIR SHEET

BRAND
HART

MODEL NO.
HPCS25

DESCRIPTION
20 Volt 7-1/4 in. Circular Saw



HART CONSUMER PRODUCTS, INC.

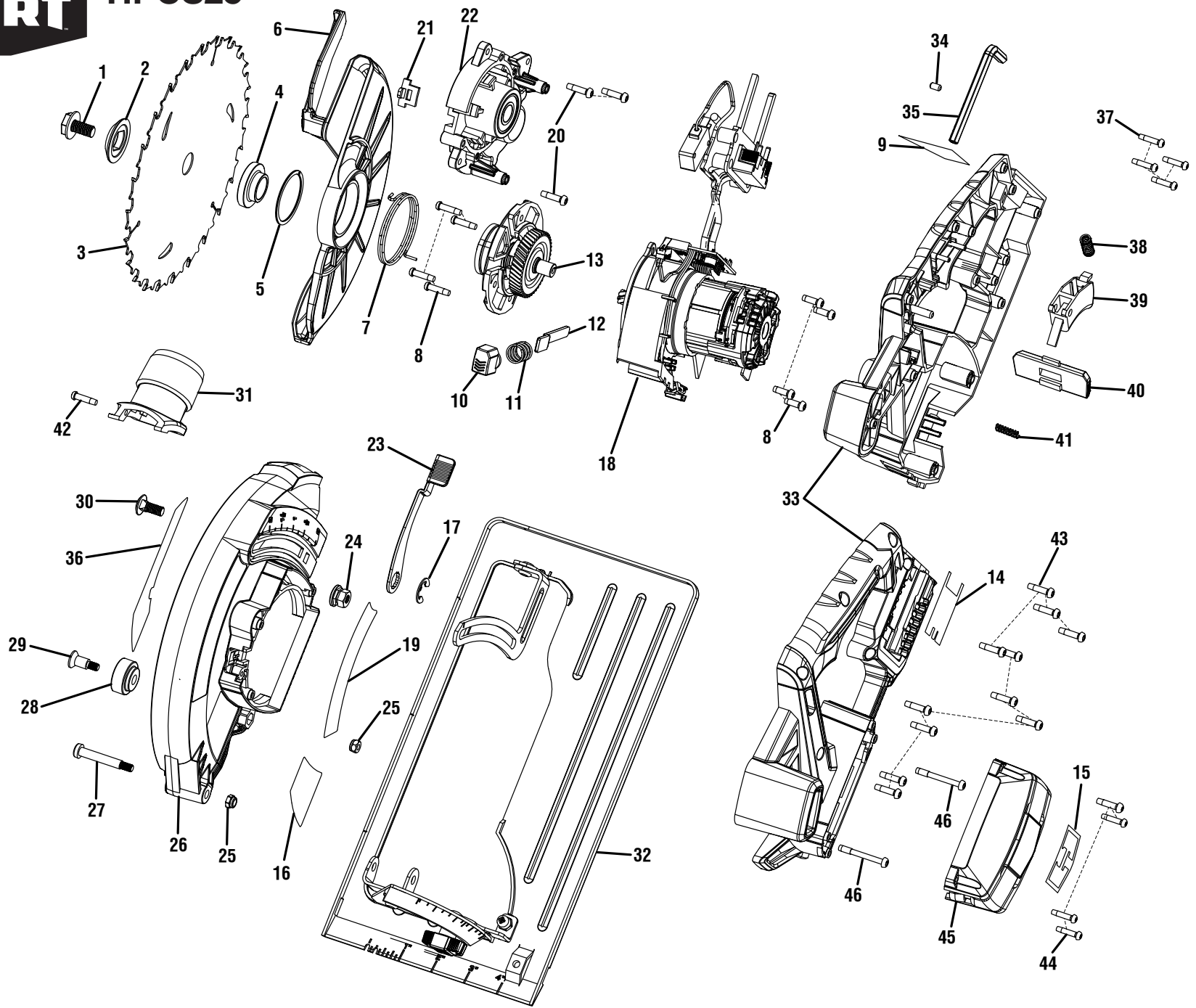
P.O. Box 1348, Anderson, SC 29622 ■ 1-800-776-5191 ■ www.HARTtools.com

5-21-21 (Rev:02)

The model number and manufacturing location will be found on a label attached to the product. Always mention this information in all communications regarding this product and when ordering parts.



HPCS25





HPCS25

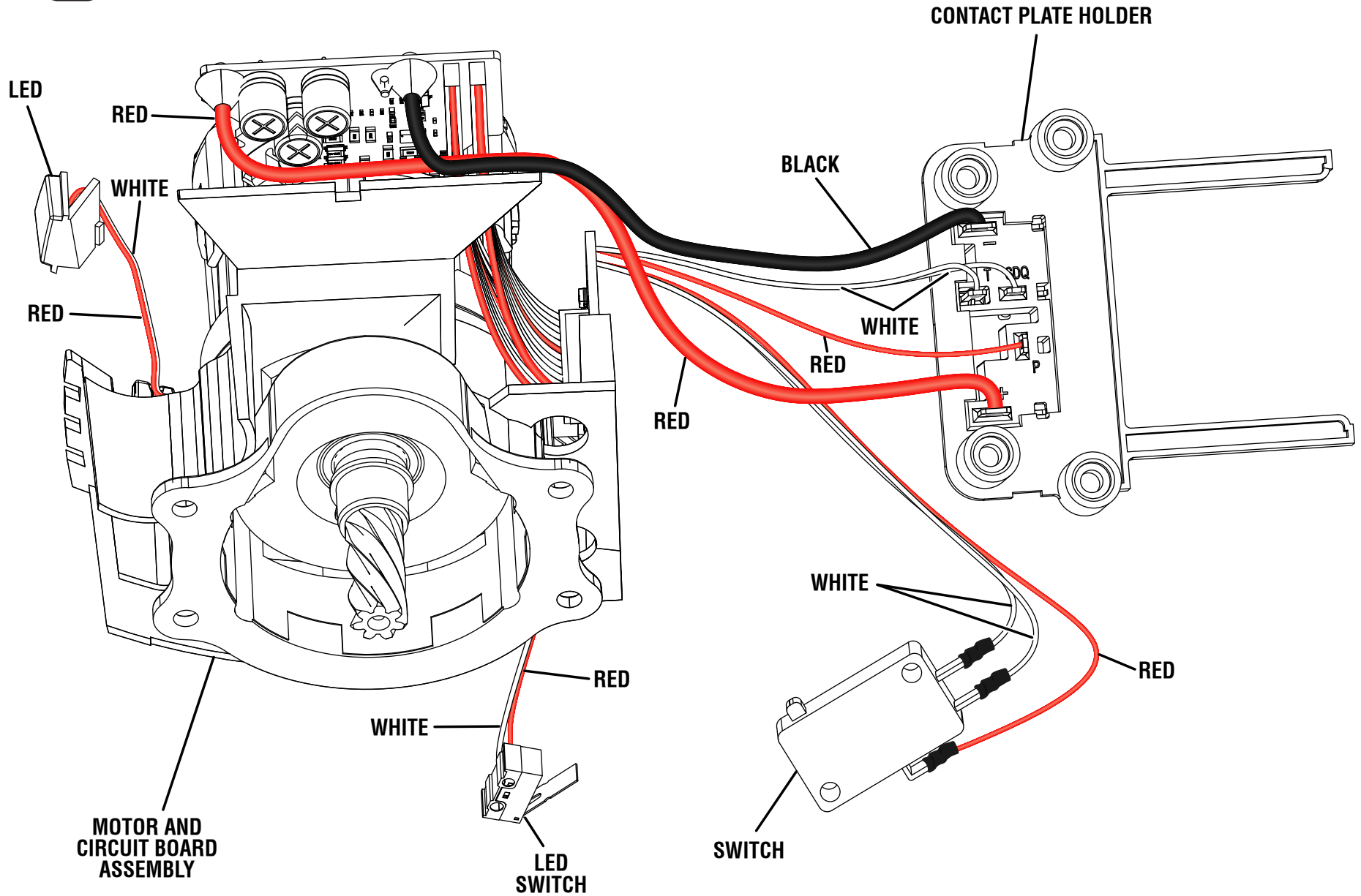
PARTS LIST

KEY NO.	PART NO.	DESCRIPTION	QTY.
1	693912001	Blade Clamping Bolt	1
2	692092001	Outer Flange	1
3	682142002	7-1/4 in. Blade (24T)	1
4	611791001	Inner Flange	1
5	693438003	External Retainer Ring	1
6	541117001 or 541117003	Lower Guard	1
7	680672015	Torsion Spring	1
8	660165011	Screw (M4 x 12 mm, T-20 Torx Pan Hd.)	8
9	941120615	Guard Warning Label	1
10	541116001	Spindle Lock Button	1
11	670056001	Spring	1
12	637761002	Spindle Lock Pin	1
13	206656003	Gear Box Assembly	1
14	941123067	Data Label	1
15	941114293	H Shield Label	1
16	941120614	Warning Label	1
17	634295001	E-Ring	1
18	206172002	Motor and Circuit Board Assembly	1
19	941120616	Blade Danger Label	1
20	660024028	Screw (M4 x 14 mm)	3
21	563468001	Dust Cover	1
22	204172002	Gear Case Assembly	1
23	659221001	Depth Adjustment Lever	1
24	612031001	Flange Nut	1

KEY NO.	PART NO.	DESCRIPTION	QTY.
25	670974003	Insert Nut (M5)	2
26	204172003	Upper Guard (Inc. Key Nos. 16, 19, & 36)	1
27	660145008	Screw (M5 x 40 mm)	1
28	561984001	Bumper Stopper	1
29	660193005	Screw (M5)	1
30	693616001	Connect Rod	1
31	541118001	Dust Port	1
32	316283001	Base Assembly	1
33	204172004	Housing Assembly (Inc. Key Nos. 9 & 14)	1
34	560219006	Rubber Stopper	1
35	696071001	Wrench (M6 #5)	1
36	941120617	Blade Warning Label	1
37	660031011	Screw (M3.5)	4
38	696072001	Trigger Spring	1
39	541114001	Switch Trigger	1
40	541115001	Safety Button	1
41	672552001	Spring	1
42	660208048	Screw (M4 x 16 mm)	1
43	660024018	Screw (M4)	11
44	660031017	Screw (M3.5 x 16 mm)	4
45	204172005	End Cap (Inc. Key No. 15)	1
46	661175004	Screw (M4)	2
	Not Shown:		
	998000038	Operator's Manual (961153416)	



HPCS25



WIRING DIAGRAM