

REPAIR SHEET

BRAND

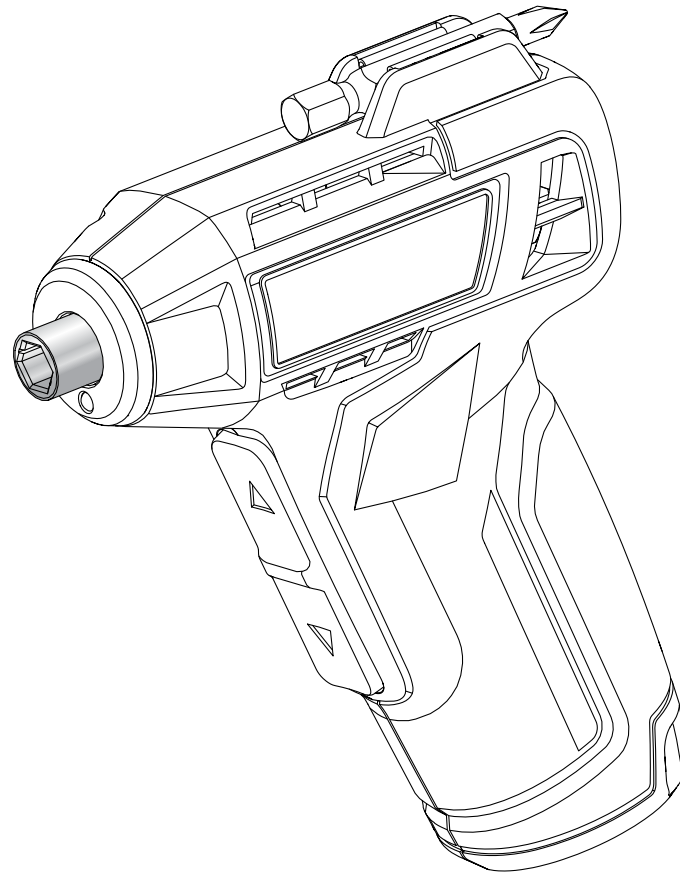
HART

DESCRIPTION

4 Volt Screwdriver

MODEL NO.

HFSD02



HART CONSUMER PRODUCTS, INC.

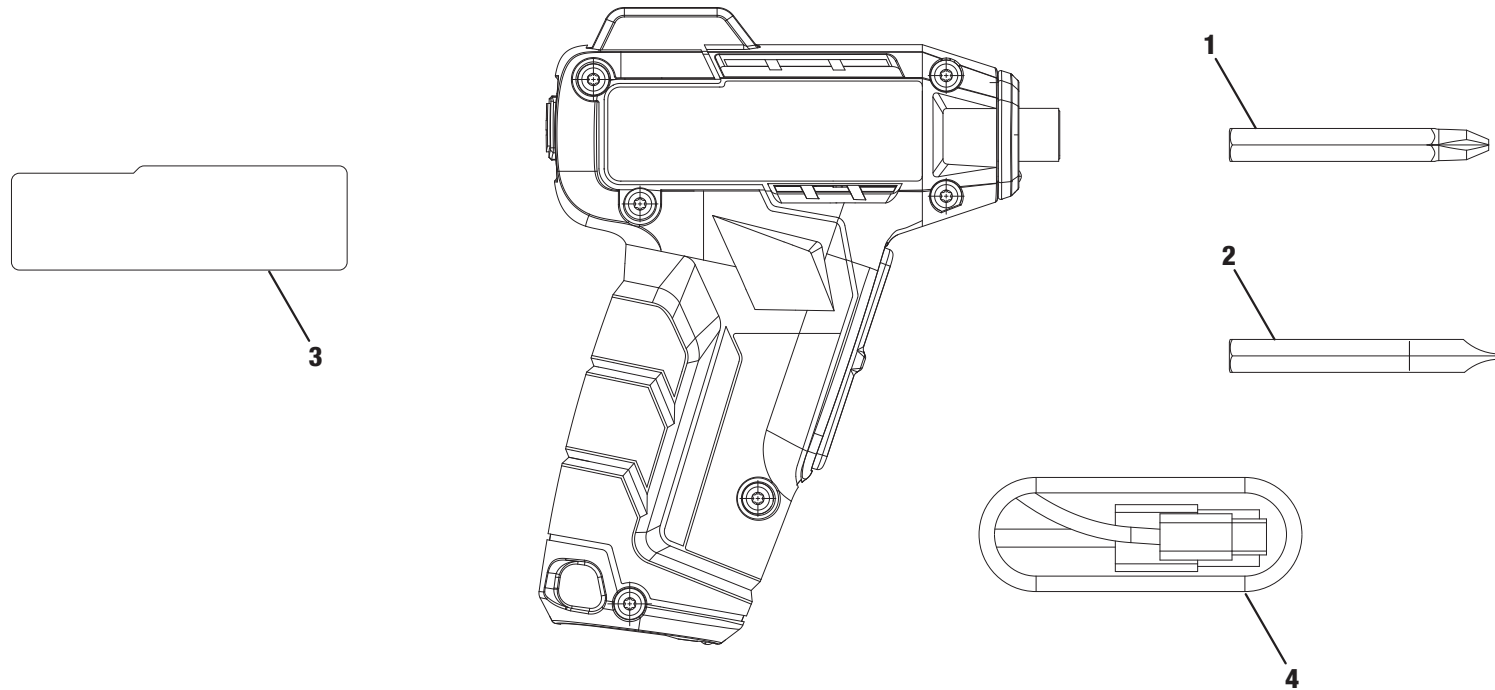
P.O. Box 1348, Anderson, SC 29622 ■ 1-800-776-5191 ■ www.HARTtools.com

5-16-23 (Rev:01)

The model number and manufacturing location will be found on a label attached to the product. Always mention this information in all communications regarding this product and when ordering parts.



HFSD02



PARTS LIST

KEY NO.	PART NO.	DESCRIPTION	QTY.
1	670802041	Single Bit Driver (PH2)	1
2	670802042	Single Slotted Bit	1
3	CN- 941124149	Data/Icon Label	1
	VN- 941124231	Data/Icon Label	1
4	292222004	USB Cable (500 mm)	1
	Not Shown:		
	998000963	Operator's Manual	