

# OPERATOR'S MANUAL

## MANUEL D'UTILISATION

## MANUAL DEL OPERADOR

### 4 in. WET/DRY TILE SAW

### SCIE À CARREAUX À SEC/SOUS

### EAU DE 105 mm (4 po)

### SIERRA DE LOSAS PARA TRABAJOS EN HÚMEDO/SECO de 105 mm (4 pulg.)

### TC401/TC4011

**REGISTER YOUR TOOLS**  
 <http://register.ryobitools.com>  
 1-800-525-2579

**EN MEXICO:**  
 PARA MÁS INFORMACIÓN  
**WWW.RYOBITOLS.MX**  
 CENTROS DE SERVICIO  
 800-843-1111



**INCLUDES:** Wet/Dry Tile Saw, Diamond Cutting Wheel, Arbor Wrenches (2), Water Supply Hose, Faucet Adaptor, Operator's Manual

#### TABLE OF CONTENTS

\*\*\*\*\*

- General Power Tool Safety Warnings .....2-3
- Tile Saw Safety Warnings.....3-5
- Symbols.....6
- Electrical.....7-8
- Features.....8
- Assembly.....9-10
- Operation.....10-12
- Maintenance.....13
- Illustrations .....15-17
- Parts Ordering / Service ..... Back Page

**INCLUT :** Wet/Dry Tile Saw, Diamond Cutting Wheel, Arbor Wrenches (2), Water Supply Hose, Faucet Adaptor, Operator's Manual

#### TABLE DES MATIÈRES

\*\*\*\*\*


- Avertissements généraux de sécurité en ce qui a trait aux outils électriques..... 2-3
- Avertissements de sécurité en ce qui a trait à la scie à carreaux .....3-5
- Symboles.....6
- Caractéristiques électriques.....7-8
- Caractéristiques .....8
- Assemblage.....9-10
- Utilisation.....10-12
- Entretien .....13
- Illustrations .....15-17
- Commande de pièces / réparation.....Page arrière

**INCLUYE:** Wet/Dry Tile Saw, Diamond Cutting Wheel, Arbor Wrenches (2), Water Supply Hose, Faucet Adaptor, Operator's Manual


#### ÍNDICE DE CONTENIDO

\*\*\*\*\*

- Advertencias de seguridad generales para el uso de herramientas eléctricas .....2-3
- Instrucciones de seguridad para operaciones con discos de trocear abrasivos.....3-5
- Símbolos .....6
- Aspectos eléctricos.....7-8
- Características .....8
- Armado.....9-10
- Funcionamiento.....10-12
- Mantenimiento.....13
- Ilustraciones .....15-17
- Pedidos de piezas / servicio..... Pág. posterior

 **WARNING:** To reduce the risk of injury, the user must read and understand the operator's manual before using this product.

 **AVERTISSEMENT :** Pour réduire les risques de blessures, l'utilisateur doit lire et veiller à bien comprendre le manuel d'utilisation avant d'employer ce produit.

 **ADVERTENCIA:** Para reducir el riesgo de lesiones, el usuario debe leer y comprender el manual del operador antes de usar este producto.

**SAVE THIS MANUAL FOR FUTURE REFERENCE**

**CONSERVER CE MANUEL POUR FUTURE RÉFÉRENCE**

**GUARDE ESTE MANUAL PARA FUTURAS CONSULTAS**

# GENERAL POWER TOOL SAFETY WARNINGS

## **WARNING!**

**Read all safety warnings and all instructions.** Failure to follow the warnings and instructions may result in electric shock, fire and/or serious injury.

### **Save all warnings and instructions for future reference.**

The term “power tool” in the warnings refers to your mains-operated (corded) power tool or battery-operated (cordless) power tool.

## **WORK AREA SAFETY**

- **Keep work area clean and well lit.** Cluttered or dark areas invite accidents.
- **Do not operate power tools in explosive atmospheres, such as in the presence of flammable liquids, gases, or dust.** Power tools create sparks which may ignite the dust or fumes.
- **Keep children and bystanders away while operating a power tool.** Distractions can cause you to lose control.

## **ELECTRICAL SAFETY**

- **Power tool plugs must match the outlet. Never modify the plug in any way. Do not use any adapter plugs with earthed (grounded) power tools.** Unmodified plugs and matching outlets will reduce risk of electric shock.
- **Avoid body contact with earthed or grounded surfaces such as pipes, radiators, ranges and refrigerators.** There is an increased risk of electric shock if your body is earthed or grounded.
- **Do not expose power tools to rain or wet conditions.** Water entering a power tool will increase the risk of electric shock.
- **Do not abuse the cord. Never use the cord for carrying, pulling or unplugging the power tool. Keep cord away from heat, oil, sharp edges, or moving parts.** Damaged or entangled cords increase the risk of electric shock.
- **When operating a power tool outdoors, use an extension cord suitable for outdoor use.** Use of a cord suitable for outdoor use reduces the risk of electric shock.
- **If operating a power tool in a damp location is unavoidable, use a ground fault circuit interrupter (GFCI) protected supply.** Use of a GFCI reduces the risk of electric shock.

## **PERSONAL SAFETY**

- **Stay alert, watch what you are doing and use common sense when operating a power tool. Do not use a power tool while you are tired or under the influence of drugs, alcohol or medication.** A moment of inattention while operating power tools may result in serious personal injury.

- **Use personal protective equipment. Always wear eye protection.** Protective equipment such as dust mask, nonskid safety shoes, hard hat, or hearing protection used for appropriate conditions will reduce personal injuries.
- **Prevent unintentional starting. Ensure the switch is in the off-position before connecting to power source and/or battery pack, picking up or carrying the tool.** Carrying power tools with your finger on the switch or energising power tools that have the switch on invites accidents.
- **Remove any adjusting key or wrench before turning the power tool on.** A wrench or a key left attached to a rotating part of the power tool may result in personal injury.
- **Do not overreach. Keep proper footing and balance at all times.** This enables better control of the power tool in unexpected situations.
- **Dress properly. Do not wear loose clothing or jewelry. Keep your hair, clothing, and gloves away from moving parts.** Loose clothes, jewellery or long hair can be caught in moving parts.
- **If devices are provided for the connection of dust extraction and collection facilities, ensure these are connected and properly used.** Use of dust collection can reduce dust-related hazards.
- **Do not wear loose clothing or jewelry. Contain long hair.** Loose clothes, jewelry, or long hair can be drawn into air vents.
- **Do not use on a ladder or unstable support.** Stable footing on a solid surface enables better control of the power tool in unexpected situations.

## **POWER TOOL USE AND CARE**

- **Do not force the power tool. Use the correct power tool for your application.** The correct power tool will do the job better and safer at the rate for which it was designed.
- **Do not use the power tool if the switch does not turn it on and off.** Any power tool that cannot be controlled with the switch is dangerous and must be repaired.
- **Disconnect the plug from the power source and/or the battery pack from the power tool before making any adjustments, changing accessories, or storing power tools.** Such preventive safety measures reduce the risk of starting the power tool accidentally.
- **Store idle power tools out of the reach of children and do not allow persons unfamiliar with the power tool or these instructions to operate the power tool.** Power tools are dangerous in the hands of untrained users.
- **Maintain power tools. Check for misalignment or binding of moving parts, breakage of parts and any other condition that may affect the power tool's operation. If damaged, have the power tool repaired before use.** Many accidents are caused by poorly maintained power tools.

# GENERAL POWER TOOL SAFETY WARNINGS

- **Keep cutting tools sharp and clean.** Properly maintained cutting tools with sharp cutting edges are less likely to bind and are easier to control.
- **Use the power tool, accessories and tool bits etc. in accordance with these instructions, taking into account the working conditions and the work to be performed.** Use of the power tool for operations different from those intended could result in a hazardous situation.

## SERVICE

- **Have your power tool serviced by a qualified repair person using only identical replacement parts.** This will ensure that the safety of the power tool is maintained.
- **When servicing a power tool, use only identical replacement parts. Follow instructions in the Maintenance section of this manual.** Use of unauthorized parts or failure to follow Maintenance instructions may create a risk of shock or injury.

# SAFETY INSTRUCTIONS FOR ABRASIVE CUTTING-OFF OPERATIONS

- **The guard provided with the tool must be securely attached to the power tool and positioned for maximum safety, so the least amount of wheel is exposed towards the operator. Position yourself and bystanders away from the plane of the rotating wheel.** The guard helps to protect operator from broken wheel fragments and accidental contact with wheel.
- **Use only diamond cut-off wheels for your power tool.** Just because an accessory can be attached to your power tool, it does not assure safe operation.
- **The rated speed of the accessory must be at least equal to the maximum speed marked on the power tool.** Accessories running faster than their rated speed can break and fly apart.
- **Wheels must be used only for recommended applications. For example: do not grind with the side of cut-off wheel.** Abrasive cut-off wheels are intended for peripheral grinding, side forces applied to these wheels may cause them to shatter.
- **Always use undamaged wheel flanges that are of correct diameter for your selected wheel.** Proper wheel flanges support the wheel thus reducing the possibility of wheel breakage.
- **The outside diameter and the thickness of your accessory must be within the capacity rating of your power tool.** Incorrectly sized accessories cannot be adequately guarded or controlled.
- **The arbour size of wheels and flanges must properly fit the spindle of the power tool.** Wheels and flanges with arbour holes that do not match the mounting hardware of the power tool will run out of balance, vibrate excessively and may cause loss of control.
- **Do not use damaged wheels. Before each use, inspect the wheels for chips and cracks. If power tool or wheel is dropped, inspect for damage or install an undamaged wheel. After inspecting and installing the wheel, position yourself and bystanders away from the plane of the rotating wheel and run the power tool at maximum no load speed for one minute.** Damaged wheels will normally break apart during this test time.
- **Wear personal protective equipment. Depending on application, use face shield, safety goggles or safety glasses. As appropriate, wear dust mask, hearing protectors, gloves and shop apron capable of stopping small abrasive or workpiece fragments.** The eye protection must be capable of stopping flying debris generated by various operations. The dust mask or respirator must be capable of filtering particles generated by your operation. Prolonged exposure to high intensity noise may cause hearing loss.
- **Keep bystanders a safe distance away from work area. Anyone entering the work area must wear personal protective equipment.** Fragments of workpiece or of a broken wheel may fly away and cause injury beyond immediate area of operation.
- **Hold the power tool by insulated gripping surfaces only, when performing an operation where the cutting accessory may contact hidden wiring or its own cord.** Cutting accessory contacting a “live” wire may make exposed metal parts of the power tool “live” and could give the operator an electric shock.
- **Position the cord clear of the spinning accessory.** If you lose control, the cord may be cut or snagged and your hand or arm may be pulled into the spinning wheel.
- **Never lay the power tool down until the accessory has come to a complete stop.** The spinning wheel may grab the surface and pull the power tool out of your control.
- **Do not run the power tool while carrying it at your side.** Accidental contact with the spinning accessory could snag your clothing, pulling the accessory into your body.

# SAFETY INSTRUCTIONS FOR ABRASIVE CUTTING-OFF OPERATIONS

- **Regularly clean the power tool's air vents.** The motor's fan will draw the dust inside the housing and excessive accumulation of powdered metal may cause electrical hazards.
- **Do not operate the power tool near flammable materials.** Sparks could ignite these materials.

## KICKBACK AND RELATED WARNINGS:

Kickback is a sudden reaction to a pinched or snagged rotating wheel. Pinching or snagging causes rapid stalling of the rotating wheel which in turn causes the uncontrolled power tool to be forced in the direction opposite of the wheel's rotation at the point of the binding.

For example, if an abrasive wheel is snagged or pinched by the workpiece, the edge of the wheel that is entering into the pinch point can dig into the surface of the material causing the wheel to climb out or kick out. The wheel may either jump toward or away from the operator, depending on direction of the wheel's movement at the point of pinching. Abrasive wheels may also break under these conditions.

Kickback is the result of power tool misuse and/or incorrect operating procedures or conditions and can be avoided by taking proper precautions as given below:

- **Maintain a firm grip on the power tool and position your body and arm to allow you to resist kickback forces. Always use auxiliary handle, if provided, for maximum control over kickback or torque reaction during start-up.** The operator can control torque reactions or kickback forces, if proper precautions are taken.
- **Never place your hand near the rotating accessory.** Accessory may kickback over your hand.
- **Do not position your body in line with the rotating wheel.** Kickback will propel the tool in direction opposite to the wheel's movement at the point of snagging.
- **Use special care when working corners, sharp edges etc. Avoid bouncing and snagging the accessory.** Corners, sharp edges or bouncing have a tendency to snag the rotating accessory and cause loss of control or kickback.
- **Do not attach a saw chain, woodcarving blade, segmented diamond wheel or toothed saw blade.** Such blades create frequent kickback and loss of control.
- **Do not "jam" the wheel or apply excessive pressure. Do not attempt to make an excessive depth of cut.** Overstressing the wheel increases the loading and susceptibility to twisting or binding of the wheel in the cut and the possibility of kickback or wheel breakage.
- **When wheel is binding or when interrupting a cut for any reason, switch off the power tool and hold the power tool motionless until the wheel comes to a complete stop. Never attempt to remove the wheel from the cut while the wheel is in motion otherwise kickback may occur.** Investigate and take corrective action to eliminate the cause of wheel binding.
- **Do not restart the cutting operation in the workpiece. Let the wheel reach full speed and carefully re-enter the cut.** The wheel may bind, walk up or kickback if the power tool is restarted in the workpiece.
- **Support panels or any oversized workpiece to minimize the risk of wheel pinching and kickback.** Large workpieces tend to sag under their own weight. Supports must be placed under the workpiece near the line of cut and near the edge of the workpiece on both sides of the wheel.
- **Use extra caution when making a "pocket cut" into existing walls or other blind areas.** The protruding wheel may cut gas or water pipes, electrical wiring or objects that can cause kickback.

## ADDITIONAL SAFETY RULES




- **Know your power tool. Read operator's manual carefully. Learn its applications and limitations, as well as the specific potential hazards related to this tool.** Following this rule will reduce the risk of electric shock, fire, or serious injury.
- **Always wear eye protection with side shields marked to comply with ANSI Z87.1.** Failure to do so could result in objects being thrown into your eyes, resulting in possible serious injury.
- **Protect your lungs. Wear a face or dust mask if the operation is dusty.** Following this rule will reduce the risk of serious personal injury.
- **Protect your hearing. Wear hearing protection during extended periods of operation.** Following this rule will reduce the risk of serious personal injury.
- **Inspect tool cords periodically and, if damaged, have repaired at your nearest authorized service center. Constantly stay aware of cord location.** Following this rule will reduce the risk of electric shock or fire.
- **To reduce the risk of electrocution, keep all connections dry and off the ground.** Keep the tool dry when applying water to the cutting wheel. Do not stand in water when operating the tool. Do not touch the plug with wet hands. Keep bystanders away from water and electricity.

# SAFETY INSTRUCTIONS FOR ABRASIVE CUTTING-OFF OPERATIONS








- **Check damaged parts.** Before further use of the tool, a guard or other part that is damaged should be carefully checked to determine that it will operate properly and perform its intended function. Check for alignment of moving parts, binding of moving parts, breakage of parts, mounting, and any other conditions that may affect its operation. A guard or other part that is damaged should be properly repaired or replaced by an authorized service center. Following this rule will reduce the risk of shock, fire, or serious injury.
- **Make sure your extension cord is in good condition.** When using an extension cord, be sure to use one heavy enough to carry the current your product will draw. A wire gauge size (A.W.G.) of at least 14 is recommended for an extension cord 25 feet or less in length. A cord exceeding 100 feet is not recommended. If in doubt, use the next heavier gauge. The smaller the gauge number, the heavier the cord. An undersized cord will cause a drop in line voltage resulting in loss of power and overheating.
- **If the power supply cord is damaged,** it must be replaced only by the manufacturer or by an authorized service center to avoid risk.
- **Save these instructions.** Refer to them frequently and use them to instruct others who may use this tool. If you loan someone this tool, loan them these instructions also.

# SYMBOLS

The following signal words and meanings are intended to explain the levels of risk associated with this product.

SYMBOL	SIGNAL	MEANING
	<b>DANGER:</b>	Indicates a hazardous situation, which, if not avoided, will result in death or serious injury.
	<b>WARNING:</b>	Indicates a hazardous situation, which, if not avoided, could result in death or serious injury.
	<b>CAUTION:</b>	Indicates a hazardous situation, that, if not avoided, may result in minor or moderate injury.
	<b>NOTICE:</b>	(Without Safety Alert Symbol) Indicates information considered important, but not related to a potential injury (e.g. messages relating to property damage).

Some of the following symbols may be used on this product . Please study them and learn their meaning. Proper interpretation of these symbols will allow you to operate the product better and safer.

SYMBOL	NAME	DESIGNATION/EXPLANATION
	Safety Alert	Indicates a potential personal injury hazard.
	Read Operator's Manual	To reduce the risk of injury, user must read and understand operator's manual before using this product.
	Eye Protection	Always wear eye protection with side shields marked to comply with ANSI Z87.1.
	Wet Conditions Alert	Do not expose to rain or use in damp locations.
	No Hands Symbol	Failure to keep your hands away from the cutting wheel will result in serious personal injury.
	Electrocution	Failure to properly ground can result in electrocution.
V	Volts	Voltage
A	Amperes	Current
Hz	Hertz	Frequency (cycles per second)
W	Watt	Power
min	Minutes	Time
~	Alternating Current	Type of current
$n_0$	No Load Speed	Rotational speed, at no load
	Class II Construction	Double-insulated construction
.../min	Per Minute	Revolutions, strokes, surface speed, orbits etc., per minute

# ELECTRICAL

## DOUBLE INSULATION

Double insulation is a concept in safety in electric power tools, which eliminates the need for the usual three-wire grounded power cord. All exposed metal parts are isolated from the internal metal motor components with protecting insulation. Double insulated tools do not need to be grounded.

### WARNING:

The double insulated system is intended to protect the user from shock resulting from a break in the tool's internal insulation. Observe all normal safety precautions to avoid electrical shock.

**NOTE:** Servicing of a product with double insulation requires extreme care and knowledge of the system and should be performed only by a qualified service technician. For service, we suggest you return the product to your nearest authorized service center for repair. Always use original factory replacement parts when servicing.

## ELECTRICAL CONNECTION

This product has a precision-built electric motor. It should be connected to a **power supply that is 120 volts (AC only normal household current), 60 Hz.** Do not operate this product on direct current (DC). A substantial voltage drop will cause a loss of power and the motor will overheat. If the product does not operate when plugged into an outlet, double-check the power supply.

## EXTENSION CORDS

When using a power tool at a considerable distance from a power source, be sure to use an extension cord that has the capacity to handle the current the product will draw. An undersized cord will cause a drop in line voltage, resulting in overheating and loss of power. Use the chart to determine the minimum wire size required in an extension cord. Only round jacketed cords listed by Underwriter's Laboratories (UL) should be used.

When working outdoors with a product, use an extension cord that is designed for outside use. This type of cord is designated with "WA" or "W" on the cord's jacket.

Before using any extension cord, inspect it for loose or exposed wires and cut or worn insulation.

\*\*Ampere rating (on product data plate)

0-2.0    2.1-3.4    3.5-5.0    5.1-7.0    7.1-12.0    12.1-16.0

Cord Length	Wire Size (A.W.G.)					
25'	16	16	16	16	14	14
50'	16	16	16	14	14	12
100'	16	16	14	12	10	—

\*\*Used on 12 gauge - 20 amp circuit.

**NOTE:** AWG = American Wire Gauge

### WARNING:

Keep the extension cord clear of the working area. Position the cord so that it will not get caught on lumber, tools, or other obstructions while you are working with a power tool. Failure to do so can result in serious personal injury.

### WARNING:

Check extension cords before each use. If damaged replace immediately. Never use the product with a damaged cord since touching the damaged area could cause electrical shock resulting in serious injury.

## GROUND FAULT CIRCUIT INTERRUPTER

See Figure 1, page 15.

This unit is equipped with a Ground Fault Circuit Interrupter (GFCI), which guards against the hazards of ground fault currents. An example of ground fault current is the current that would flow through a person who is using an appliance with faulty insulation and, at the same time, is in contact with an electrical ground such as a plumbing fixture, wet floor, or earth.

GFCI plugs do not protect against short circuits, overloads, or shocks.

**NOTE:** The GFCI plug provided will "open" each time that it is disconnected from the AC wall receptacle. To ensure readiness for use, press the reset button each time you connect the tool to the power supply.

The GFCI plug can be tested with the TEST and RESET buttons.

### To test:

- Depress the TEST button. This should cause the RESET button to pop out.
- To restore power, depress the RESET button.

Perform this test monthly to ensure proper operation of the GFCI.

### WARNING:

Do not operate tool without GFCI intact. Do not replace cord in order to bypass the GFCI. If the cord is damaged, do not use the product, take the product to an authorized service center for repair. Failure to do so can result in serious personal injury.

# ELECTRICAL

## POSITION OF THE TILE SAW

See Figure 2, page 15.

To avoid the possibility of the tool plug or outlet getting wet, position tile saw to one side of a wall-mounted outlet to prevent water from dripping onto the outlet or plug. The operator should arrange a “drip loop” in the cord connecting the saw to the outlet. The “drip loop” is that part of the cord below the level of the outlet, or the connector if an extension cord is used, to prevent water traveling along the cord and coming in contact with the outlet.

If the plug or outlet does get wet, DO NOT unplug the cord. Disconnect the fuse or circuit breaker that supplies power to the tool then unplug and examine for the presence of water in the outlet.

### **WARNING:**

To reduce the risk of electrocution, keep all connections dry and off the ground. Do not touch the plug with wet hands.

# FEATURES

## PRODUCT SPECIFICATIONS

Wheel Diameter (Included) ..... 4 in.  
Wheel Diameter (Max Capacity) ..... 4-3/8 in.  
Cutting wheel Arbor ..... 5/8 in.  
Cutting Depth at 0° ..... 1-5/32 in.

Cutting Depth at 45° ..... 3/4 in.  
No Load Speed ..... 13,700 r/min. (RPM)  
Wheel Type ..... Continuous Rim Diamond Wheel  
Input ..... 120 V, AC only, 60 Hz, 12 Amps

## KNOW YOUR TILE SAW

See Figure 3, page 15.

The safe use of this product requires an understanding of the information on the product and in this operator’s manual as well as a knowledge of the project you are attempting. Before use of this product, familiarize yourself with all operating features and safety rules.

## BEVEL ADJUSTMENT

The bevel adjustment feature allows you to make bevel cuts up to 45°.

## CONTINUOUS RIM DIAMOND WHEEL

The continuous rim diamond wheel provided with this saw is for wet cutting only. Dry cutting is possible with the use of an optional cutting wheel marked as usable for dry cutting (not included). This tile saw will accept either a 4” or a 4-3/8” (111 mm) continuous rim cutting wheel.

## DEPTH ADJUSTMENT

Change the depth of cut from 0 to 1-5/32 in. using the depth adjustment knob.

## ERGONOMIC DESIGN

The design provides comfort when operating in different positions and at different angles.

## GFCI PLUG

The saw is equipped with a GFCI plug to guard against the hazards of ground fault currents. This plug does not protect against short circuits, overloads, or shocks.

## LOCK-ON BUTTON

The lock-on button is convenient for continuous use for extended periods of time.

## WATER SUPPLY KIT

For wet tile cutting, install the water supply kit and connect to an appropriate water supply.



# ASSEMBLY

## UNPACKING

This product requires assembly.

- Carefully remove the product and any accessories from the box. Make sure that all items listed in the packing list are included.

### **WARNING:**

Items in this *Assembly* section are not assembled to the product by the manufacturer and require customer installation. Use of a product that may have been improperly assembled could result in serious personal injury.

- If any parts are damaged or missing, please call 1-800-525-2579 for assistance. In Mexico, please call 01-800-843-1111.

### **WARNING:**

If any parts are damaged or missing do not operate this product until the parts are replaced. Use of this product with damaged or missing parts could result in serious personal injury.

### **WARNING:**

Do not attempt to modify this product or create accessories not recommended for use with this product. Any such alteration or modification is misuse and could result in a hazardous condition leading to possible serious personal injury.

### **WARNING:**

Do not connect to power supply until assembly is complete. Failure to comply could result in accidental starting and possible serious personal injury.

## ATTACHING WATER SUPPLY KIT

See Figure 4, page 15.

The water supply must come from a fresh water main. NEVER turn the water supply on high. The water supply valve provides a convenient on/off control lever for starting and stopping the water flow onto the cutting wheel.

- Unplug the saw.
- Attach the water supply kit to the saw as shown using the screw provided. Tighten securely.
- With the faucet turned completely off, attach the faucet adaptor to a garden hose or outdoor faucet.
- Once the cutting wheel is installed, the tile saw is ready to be used.

**NOTE:** The tool is rated for a maximum water pressure of 60psi.

**NOTE:** For dry cutting, it is not necessary to install the water supply kit.

### **WARNING:**

A 4-3/8 in. (111 mm) wheel is the maximum wheel capacity of the saw. Also, never use a wheel that is too thick to allow outer cutting wheel washer to engage with the flat on the spindle. Larger wheels will come in contact with the wheel guards, while thicker wheels will prevent cutting wheel screw from securing wheel on spindle. Either of these situations could result in a serious accident.

### **WARNING:**

Do not use cutting wheels rated less than the no load speed of this tool. Failure to heed this warning could result in personal injury. Do not use wheel with cracks, gaps, or teeth.

### **WARNING:**

Do not use toothed or segmented wheels. Use only continuous rimmed diamond wheels suited for masonry materials.

# ASSEMBLY

## INSTALLING CUTTING WHEEL

See Figures 5 - 6, page 16.

- Unplug the saw.
- Hold the outer cutting wheel washer still using the hex box wrench.
- With your other hand, use the hex “T” wrench to remove the cutting wheel screw by turning it clockwise.
- Remove outer cutting wheel washer.

### **WARNING:**

If inner flange bushing has been removed, replace it before placing wheel on spindle. Failure to do so will prevent wheel from tightening properly and could result in serious personal injury.

- Check to see that the arrow on the wheel and the arrow on the saw are pointing in the same direction.
- Fit the cutting wheel inside the wheel guard between the two nozzles of the water supply and onto the inner flange bushing.
- Replace the outer cutting wheel washer.
- Hold the outer cutting wheel washer still using the hex box wrench.
- Align the outer cutting wheel washer with the inner cutting wheel bushing until it engages.
- Tighten cutting wheel screw securely by turning it counterclockwise with the hex “T” wrench.

**NOTE:** Never use a wheel that is too thick to allow the outer cutting wheel washer to engage with the flat on the spindle.

# OPERATION

### **DANGER:**

Keep hands away from cutting area and the cutting wheel. Keep your second hand on auxiliary handle, or motor housing. If both hands are holding the saw, they cannot be cut by the cutting wheel.

### **WARNING:**

Do not allow familiarity with this product to make you careless. Remember that a careless fraction of a second is sufficient to inflict serious injury.

### **WARNING:**

Always wear eye protection with side shield marked to comply with ANSI Z87.1. Failure to do so could result in objects being thrown into your eyes resulting in possible serious injury.

### **WARNING:**

Do not use any attachments or accessories not recommended by the manufacturer of this product. The use of attachments or accessories not recommended can result in serious personal injury.

### **NOTICE:**

Before each use, inspect the entire product for damaged, missing, or loose parts such as screws, cutting wheel washers, hoses, fittings, etc. Tighten securely all screws, washers and fittings and do not operate this product until all missing or damaged parts are replaced. Please call 1-800-525-2579 or contact an authorized service center for assistance.

## APPLICATIONS

You may use this product for the purpose listed below:

- Wet or dry cross cutting, rip cutting, and bevel cutting of man-made tile, pavers, and natural stone tile products

## CUTTING WHEELS

The best of cutting wheels will not cut efficiently if they are dull or badly worn. Using a dull wheel will place a heavy load on the saw. Keep extra wheels on hand, so that sharp wheels are always available.

### **WARNING:**

Since wheel is exposed on underside of work, keep hands and fingers away from cutting area. Any part of your body coming in contact with moving wheel may result in serious injury.

## STARTING/STOPPING THE SAW

See Figure 7, page 16.

**To start the saw:** Depress the switch trigger.

Always let the wheel reach full speed, then guide the saw into the workpiece.

# OPERATION

**To stop the saw:** Release the switch trigger.

After you release the switch trigger, allow the wheel to come to a complete stop. **DO NOT** remove the saw from the workpiece while the wheel is moving.

## LOCK-ON BUTTON

See Figure 7, page 16.

The saw is equipped with a lock-on feature, which is convenient for continuous use for extended periods of time.

**To lock-on:**

- Depress the switch trigger.
- Push in and hold the lock-on button, located on the side of the handle.
- Release the switch trigger.
- Release the lock-on button.
- To release the lock, depress and release the switch trigger.

## ADJUSTING CUTTING WHEEL DEPTH

See Figure 8, page 16.

Always keep correct wheel depth setting. The correct wheel depth setting for all cuts should not exceed 1/4 in. below the material being cut. More wheel depth will increase the chance of kickback and cause the cut to be rough.

**To adjust the wheel depth:**

- Unplug the saw.

### **WARNING:**

Failure to unplug the tool could result in accidental starting causing serious injury.

- Loosen depth lock knob by turning it counter-clockwise.
- Hold base flat against the workpiece and raise or lower saw until the desired depth of cut is reached.
- Tighten depth lock knob securely by turning it clockwise.

## OPERATING THE SAW

See Figures 9 - 10, page 16.

It is important to understand the correct method for operating the saw. Refer to the figures in this section to learn the correct and incorrect ways for handling the saw.

### **WARNING:**

To make sawing easier and safer, always maintain proper control of the saw. Loss of control could cause an accident resulting in possible serious injury.

### **WARNING:**

When lifting the saw from the workpiece, the wheel is exposed on the underside of the saw.

**To make the best possible cut:**

- Hold the saw firmly.
- Avoid placing your hand on the workpiece while making a cut.
- Support the workpiece so that the cut is always on your left.
- Support the workpiece near the cut.
- Clamp the workpiece securely so that the workpiece will not move during the cut.
- Avoid placing the saw on the part of the workpiece that will fall off when the cut is made.
- Place the workpiece with the “good” side down.
- Draw a guideline along the desired line of cut before beginning your cut.
- Keep the cord away from the cutting area. Always place the cord to prevent it from hanging up on the workpiece while making a cut.
- If wet cutting is desired, turn the water supply valve to start water flow.

### **DANGER:**

If the cord hangs up on the workpiece during a cut, release the switch trigger immediately and allow the wheel to come to a complete stop. Unplug the saw and reposition the cord to prevent it from hanging up again.

### **DANGER:**

Using a saw with a damaged cord could result in serious injury or death. If the cord has been damaged, have it replaced before using the saw again.

## MAKING CUTS

Always draw the line to be cut on the tile using a marker or grease pencil. If the tile is shiny and hard-to-mark, place masking tape on the tile and mark the tape.

A common problem when cutting tile is straying from the marked line. Once you've strayed from the mark, you can not force the wheel back to the line by twisting the tile. Instead, back up and recut the tile slicing off a small amount of tile until the wheel is back on track.

To avoid this problem, use a straight edge guide whenever possible for making cross cuts and miter cuts.

If wet cutting is desired, it should be performed outside.

## TO MAKE A CROSS CUT

See Figure 11, page 16.

Cross cuts are straight 90° cuts. The material is fed into the cut at a 90° angle to the wheel, and the wheel is vertical.

- Using a marker or grease pencil, mark the area to be cut on material.
- Secure the workpiece.

# OPERATION

- If wet cutting is desired, turn the water supply valve to start water flow.
- Depress the switch trigger to start the saw.
- Let the cutting wheel build up to full speed and wait for the wheel to get wet before moving the wheel into the material.
- When the cut is made, release the switch trigger. Wait for the cutting wheel to come to a complete stop before removing the saw from the material.
- Stop the water flow.

## TO MAKE A DIAGONAL CUT

See Figure 12, page 17.

Diagonal cuts are also referred to as “long point to long point cuts”.

- Using a marker or grease pencil, mark the area to be cut on material.
- Secure the workpiece.
- If wet cutting is desired, turn the water supply valve to start water flow.
- Depress the switch trigger to start the saw.
- Let the cutting wheel build up to full speed and wait for the wheel to get wet before moving the wheel into the material.
- When the cut is made, release the switch trigger. Wait for the cutting wheel to come to a complete stop before removing the saw from the material.
- Stop the water flow.

## TO MAKE A MITER CUT

See Figure 13, page 17.

Miter cuts are used for cutting outside and inside corners with the material at any angle to the wheel other than 90°. Miter cuts tend to “creep” during cutting. This can be controlled by holding the workpiece securely against a straight edge guide.

- Using a marker or grease pencil, mark the area to be cut on material.
- Secure the workpiece.
- If wet cutting is desired, turn the water supply valve to start water flow.
- Depress the switch trigger to start the saw.
- Let the cutting wheel build up to full speed and wait for the wheel to get wet before moving the wheel into the material.
- When the cut is made, release the switch trigger. Wait for the cutting wheel to come to a complete stop before removing the saw from the material.
- Stop the water flow.

## TO MAKE AN L-CUT

See Figure 14, page 17.

L-cuts are cuts that remove a piece of tile to fit in a corner, around a cabinet, or a piece of molding and are made by two separate cuts.

**NOTE:** Only overcut on the bottom or underneath side of the material being cut.

- Using a marker or grease pencil, mark the area to be cut on both sides of the material.
- Secure the workpiece.
- If wet cutting is desired, turn the water supply valve to start water flow.
- Depress the switch trigger to start the saw.
- Let the cutting wheel build up to full speed and wait for the wheel to get wet before moving the wheel into the material.
- Make the cut far enough into the material without overcutting.
- Release the switch trigger. Wait for the cutting wheel to come to a complete stop before removing the saw from the material.
- Turn the material over and make the cut along one of the marks. This time overcut the other line and the cut piece should separate from the rest of the material.
- Depress the switch trigger.
- Let the cutting wheel build up to full speed and wait for the wheel to get wet before moving the wheel into the material.
- When the cut is made, release the switch trigger. Wait for the cutting wheel to come to a complete stop before removing the saw from the material.
- Stop the water flow.

## TO MAKE A BEVEL CUT

See Figure 15, page 17.

Beveled 45° cuts can be made by adjusting the position of the motor head.

- Using a marker or grease pencil, mark the area to be cut on material.
- Secure the workpiece.
- Loosen the bevel lock knob on the front of the saw.
- Rotate the base until you reach the desired angle setting on the bevel scale.
- Tighten the bevel lock knob securely.
- If wet cutting is desired, turn the water supply valve to start water flow.
- Depress the switch trigger to start the saw.
- Let the cutting wheel build up to full speed and wait for the wheel to get wet before moving the wheel into the material.
- When the cut is made, release the switch trigger. Wait for the cutting wheel to come to a complete stop before removing the saw from the material.
- Stop the water flow.

# MAINTENANCE

## **WARNING:**

When servicing, use only identical replacement parts. Use of any other parts can create a hazard or cause product damage.

## **WARNING:**

Always wear eye protection with side shields marked to comply with ANSI Z87.1 during product operation. If operation is dusty, also wear a dust mask.

## GENERAL MAINTENANCE

Avoid using solvents when cleaning plastic parts. Most plastics are susceptible to damage from various types of commercial solvents and may be damaged by their use. Use clean cloths to remove dirt, dust, oil, grease, etc.

## **WARNING:**

Do not at any time let brake fluids, gasoline, petroleum-based products, penetrating oils, etc., come in contact with plastic parts. Chemicals can damage, weaken or destroy plastic which can result in serious personal injury.

Electric tools used on fiberglass material, wallboard, spackling compounds, or plaster are subject to accelerated wear and possible premature failure because the fiberglass chips and grindings are highly abrasive to bearings, brushes, commutators, etc. Consequently, we do not recommend using this product for extended work on these types of materials. However, if you do work with any of these materials, it is extremely important to clean the product using compressed air.

## LUBRICATION

All of the bearings in this product are lubricated with a sufficient amount of high grade lubricant for the life of the unit under normal operating conditions. Therefore, no further lubrication is required.

## POWER SUPPLY CORD REPLACEMENT

If replacement of the power supply cord is necessary, this must be done by an authorized service center in order to avoid a safety hazard.

## BRUSH REPLACEMENT

See Figure 16, page 17.

**NOTE:** This saw is equipped with two externally accessible brushes located on either side of the saw housing.

- Unplug the saw.

## **WARNING:**

Failure to unplug the tool could result in accidental starting causing possible serious injury.

- Remove brush caps using a screwdriver.
- Remove brush assemblies.
- Check for wear. Replace both brush assemblies when either has less than 1/4 in. length of carbon remaining.  
**NOTE:** Do not replace one side without replacing the other.
- Reassemble using new brush assemblies. Make sure curvature of brush matches curvature of motor and that brush moves freely in brush tube.
- Reassemble by reversing the steps listed above.
- Tighten brush caps securely. Do not over tighten.

## WHEEL MAINTENANCE

If wheel cutting ability deteriorates or becomes slow, the wheel may need resurfacing. Cutting a brick paver will resurface the wheel and improve wheel cutting ability.

**NOTE: ILLUSTRATIONS START ON PAGE 14  
AFTER FRENCH AND SPANISH LANGUAGE SECTIONS**

# AVERTISSEMENTS GÉNÉRAUX DE SÉCURITÉ EN CE QUI A TRAIT AUX OUTILS ÉLECTRIQUES



## AVERTISSEMENT !

Lire toutes les règles et toutes les instructions de sécurité. Ne pas suivre l'ensemble des avertissements et des instructions peut entraîner une électrocution, un incendie ou des blessures graves.

**Conserver les avertissements et les instructions à des fins de référence ultérieure.** Le terme « outil électrique » utilisé dans les avertissements fait référence aux outils électriques (avec fil) à alimentation sur secteur ou aux outils électriques (sans fil) alimentés par batterie.

## LIEU DE TRAVAIL

- **Garder le lieu de travail propre et bien éclairé.** Les endroits encombrés ou sombres sont propices aux accidents.
- **Ne pas utiliser d'outils électriques dans des atmosphères explosives, par exemple en présence de liquides, gaz ou poussières inflammables.** Les outils électriques produisent des étincelles risquant d'enflammer les poussières ou vapeurs.
- **Garder les enfants et badauds à l'écart pendant l'utilisation d'un outil électrique.** Les distractions peuvent causer une perte de contrôle.

## SÉCURITÉ ÉLECTRIQUE

- **Les fiches des outils électriques doivent correspondre à la prise secteur utilisée. Ne jamais modifier la fiche, de quelque façon que ce soit. Ne jamais utiliser d'adaptateurs de fiche avec des outils mis à la terre.** Les fiches et prises non modifiées réduisent le risque de choc électrique.
- **Éviter tout contact du corps avec des surfaces mises à la terre, telles que tuyaux, radiateurs, cuisinières et réfrigérateurs.** Le risque d'électrocution est accru lorsque le corps est mis à la terre.
- **Ne pas exposer les outils électriques à l'eau ou l'humidité.** La pénétration d'eau dans ces outils accroît le risque de choc électrique.
- **Ne pas maltraiter le cordon d'alimentation. Ne jamais utiliser le cordon d'alimentation pour transporter l'outil et ne jamais débrancher ce dernier en tirant sur le cordon. Garder le cordon à l'écart de la chaleur, de l'huile, des objets tranchants et des pièces en mouvement.** Un cordon endommagé ou emmêlé accroît le risque de choc électrique.
- **Pour les travaux à l'extérieur, utiliser un cordon spécialement conçu à cet effet.** Utiliser un cordon conçu pour l'usage extérieur réduit les risques de choc électrique.
- **S'il est nécessaire d'utiliser l'outil électrique dans un endroit humide, employer un dispositif interrupteur de défaut à la terre (GFCI).** L'utilisation d'un GFCI réduit le risque de décharge électrique.

## SÉCURITÉ PERSONNELLE

- **Rester attentif, prêter attention au travail et faire preuve de bon sens lors de l'utilisation de tout outil électrique. Ne pas utiliser cet outil en état de fatigue ou sous l'influence de l'alcool, de drogues ou de médicaments.** Un moment d'inattention pendant l'utilisation d'un outil électrique peut entraîner des blessures graves.
- **Utiliser l'équipement protectif blessures. Toujours porter une protection oculaire.** L'équipement protectif tel qu'un masque filtrant, de chaussures de sécurité, d'un casque ou d'une protection auditive, utilisé dans des conditions appropriées réduira le risque de blessures.
- **Empêcher les démarrages accidentels. S'assurer que la gâchette est en position d'arrêt avant de brancher l'outil à une source de courant ou d'insérer la batterie, de le ramasser ou de le transporter.** Le fait de transporter l'outil en gardant le doigt sur la gâchette ou de le brancher lorsque la gâchette est en position de marche favorise les accidents.
- **Retirer les clés de réglage avant de mettre l'outil en marche.** Une clé laissée sur une pièce rotative de l'outil peut causer des blessures.
- **Ne pas travailler hors de portée. Toujours se tenir bien campé et en équilibre.** Ceci permettra de mieux contrôler l'outil en cas de situation imprévue.
- **Porter une tenue appropriée. Ne porter ni vêtements amples, ni bijoux. Garder les cheveux, les vêtements et les gants à l'écart des pièces en mouvement.** Les vêtements amples, bijoux et cheveux longs peuvent se prendre dans les pièces en mouvement.
- **Si les outils sont équipés de dispositifs de dépoussiérage, s'assurer qu'ils sont connectés et correctement utilisés.** L'utilisation d'un dépoussiéreur peut réduire les risques liés à la poussière.
- **Ne porter ni vêtements amples, ni bijoux. Attacher ou couvrir les cheveux longs.** Les vêtements amples, bijoux et cheveux longs peuvent se prendre dans les ouïes d'aération.
- **Ne pas utiliser l'outil sur une échelle ou un support instable.** Une bonne tenue et un bon équilibre permettent de mieux contrôler l'outil en cas de situation imprévue.

## UTILISATION ET ENTRETIEN DE L'OUTILS MOTORISÉS

- **Ne pas forcer l'outil. Utiliser un outil approprié pour le travail.** Un outil approprié exécutera le travail mieux et de façon moins dangereuse s'il est utilisé dans les limites prévues.
- **Ne pas utiliser l'outil si le commutateur ne permet pas de le mettre en marche et de l'arrêter.** Tout outil qui ne peut pas être contrôlé par son commutateur est dangereux et doit être réparé.
- **Débrancher l'outil et / ou retirer le bloc de batteries avant d'effectuer des réglages, de changer d'accessoire ou de ranger l'outil.** Ces mesures de sécurité réduisent les risques de démarrage accidentel de l'outil.

# AVERTISSEMENTS GÉNÉRAUX DE SÉCURITÉ EN CE QUI A TRAIT AUX OUTILS ÉLECTRIQUES

- **Ranger les outils électriques hors de portée des enfants et ne laisser personne n'étant pas familiarisé avec le fonctionnement de l'outil ou ces instructions utiliser l'outil.** Dans les mains de personnes n'ayant pas reçu des instructions adéquates, les outils sont dangereux.
- **Veiller à entretenir les outils électriques. Vérifier qu'aucune pièce mobile n'est mal alignée, grippée ou brisée et s'assurer qu'aucun autre problème risque d'affecter le bon fonctionnement de l'outil. En cas de dommages, faire réparer l'outil avant de l'utiliser de nouveau.** Beaucoup d'accidents sont causés par des outils mal entretenus.
- **Garder les outils bien affûtés et propres.** Des outils correctement entretenus et dont les tranchants sont bien affûtés risquent moins de se bloquer et sont plus faciles à contrôler.
- **Utiliser l'outil électrique, les accessoires, les grains etc. conformément à ces instructions en tenant compte des conditions de travail et de la tâche à effectuer.** L'utilisation de cet outil électrique pour effectuer une opération pour laquelle il n'est pas conçu peut occasionner une situation dangereuse.

## DÉPANNAGE

- **Les réparations doivent être confiées à un technicien qualifié, utilisant exclusivement des pièces identiques à celles d'origine.** Ceci assurera le maintien de la sécurité de l'outil.
- **Utiliser exclusivement des pièces identiques à celles d'origine pour les réparations. Se conformer aux instructions de la section Entretien de ce manuel.** L'usage de pièces non autorisées ou le non-respect des instructions peut présenter des risques de choc électrique ou de blessures.

# AVERTISSEMENTS DE SÉCURITÉ EN CE QUI A TRAIT À LA SCIE À CARREAUX

- **Le protège-meule doit être fixé solidement à l'outil électrique et positionné de manière à garantir une sécurité optimale et qu'une plus petite partie de la meule soit dirigée vers l'utilisateur. Éloigner le corps et les spectateurs du plan de rotation de la meule.** Le protège-meule aide à protéger l'utilisateur contre la projection de fragments de meule brisés et le contact accidentel avec la meule.
- **Utiliser seulement des meules diamants avec cet outil électrique.** Le simple fait qu'un accessoire puisse être installé sur l'outil électrique ne signifie pas qu'il peut être utilisé en toute sécurité.
- **La vitesse de rotation nominale de l'accessoire doit au moins être égale à la vitesse maximale indiquée sur l'outil électrique.** Les accessoires utilisés à une vitesse supérieure à leur vitesse de rotation nominale peuvent se briser et se détacher.
- **Utiliser seulement les meules pour effectuer les opérations pour lesquelles elles sont conçues. Par exemple : Ne pas utiliser le côté d'une meule pour tronçonner.** Les meules à tronçonner sont conçues pour la rectification périphérique et l'application d'une force latérale sur les meules peut provoquer leur bris.
- **Toujours utiliser des meules à collerettes intactes et de diamètre conforme à la meule choisie.** Les collerettes de meule conformes soutiennent la meule tout en minimisant les risques de bris de la meule.
- **Le diamètre extérieur et l'épaisseur de l'accessoire doivent être conformes à la puissance nominale de l'outil électrique.** Il est impossible de protéger ou de contrôler adéquatement un accessoire de dimension inappropriée.
- **Le diamètre de l'arbre des meules et des collerettes doivent être parfaitement adaptés à la broche de l'outil électrique.** Les meules et collerettes équipées d'alésages centraux ne correspondant pas à la quincaillerie de montage de l'outil se déstabiliseront, vibreront de façon excessive et pourront causer une perte de contrôle.
- **Ne pas utiliser des meules endommagées. Avant chaque utilisation, vérifier et s'assurer que les meules ne sont pas brisées et ne comportent pas de fissures. Si l'outil électrique ou l'accessoire est échappé, s'assurer qu'il n'est pas endommagé ou installer une meule intacte. Après avoir effectué cette opération, éloigner le corps et les spectateurs de l'accessoire en rotation et faire fonctionner l'outil à sa vitesse à vide maximale pendant une minute.** Les meules endommagées se brisent généralement lors de cet essai.
- **Porter un équipement de protection personnel. Selon le travail à effectuer, porter un écran facial, des lunettes de sécurité ou des lunettes étanches. Au besoin, porter également un masque antipoussière, un protecteur d'oreilles, des gants et un tablier d'atelier résistant aux petits fragments abrasifs ou aux fragments provenant des pièces à travailler.** Le protecteur oculaire utilisé doit résister aux débris projetés par diverses opérations. Le masque antipoussière ou le respirateur doit pouvoir empêcher l'infiltration de particules produites par le travail. Une exposition prolongée à un bruit fort peut provoquer une perte auditive.

# AVERTISSEMENTS DE SÉCURITÉ EN CE QUI A TRAIT À LA SCIE À CARREAUX

- **S'assurer qu'aucun spectateur ne se tient à proximité du lieu de travail. Toute personne entrant sur le lieu de travail doit porter l'équipement de protection personnel.** Des fragments provenant d'une pièce à travailler ou d'un accessoire brisé peuvent être projetés et causer des blessures, même à des personnes se tenant à une certaine distance du lieu de travail immédiat.
- **Lorsque l'outil est utilisé pour un travail risquant de le mettre en contact avec des fils électriques cachés ou avec son propre cordon d'alimentation, le tenir par les surfaces de prise isolées.** Tout contact avec un fil sous tension électrifierait les parties métalliques de l'outil, et causerait un choc électrique.
- **Tenir le cordon loin de l'accessoire en rotation.** En cas de perte de contrôle, le cordon peut se couper ou être tiré, et la main ou le bras de l'utilisateur risquent d'entrer en contact avec l'accessoire en rotation.
- **Ne jamais déposer l'outil électrique avant l'arrêt complet de l'accessoire.** La meule en rotation peut gripper la surface et occasionner une perte de contrôle de l'outil électrique.
- **Ne jamais faire fonctionner l'outil électrique en le transportant à ses côtés.** L'accessoire en rotation peut s'accrocher accidentellement aux vêtements et entrer en contact avec l'utilisateur.
- **Nettoyer régulièrement les grilles d'aération de l'outil électrique.** Le ventilateur du moteur aspire la poussière dans le bâti et crée une accumulation excessive de métal fritté, ce qui peut causer un danger électrique.
- **Ne pas faire fonctionner l'outil électrique à proximité de matériaux inflammables.** Les étincelles peuvent enflammer ces matériaux.
- **Tenir fermement l'outil électrique, placer le corps et le bras de manière à pouvoir résister aux rebonds. Toujours utiliser la poignée auxiliaire, s'il y en a une, pour assurer un contrôle optimal en cas de rebond ou de couple de réaction lors du démarrage de l'outil.** L'utilisateur peut contrôler les rebonds et les couples de réactions s'il respecte les précautions prescrites.
- **Ne jamais placer les mains à proximité de l'accessoire en rotation.** En cas de rebond, l'accessoire peut dévier sur celles-ci.
- **Ne pas aligner le corps avec la meule en rotation.** Un rebond propulsera l'outil dans le sens opposé au mouvement de la meule au moment où elle a atteint le point de grippage.
- **Faire preuve d'une extrême prudence au moment d'utiliser l'outil sur des coins ou des rebords tranchants et éviter les rebondissements et le grippage de l'accessoire.** Les coins, les arêtes vives et les surfaces rebondissantes ont tendance à se gripper à l'accessoire en rotation et à causer une perte de contrôle ou un rebond.
- **Ne pas installer une chaîne coupante, une lame à sculpter le bois, une meule diamant segmentée, ou une pale dentée.** De telles lames provoquent de nombreux rebonds et la perte de contrôle.
- **S'assurer que la meule à tronçonner ne se coince pas et éviter d'appliquer une pression excessive. Éviter de tronçonner sur une profondeur excessive.** Une surcharge sur la meule augmente le collage, la tendance à la torsion ou au coincement de la meule pendant la coupe et les risques de rebond ou de bris de la meule.
- **Si la meule se coince ou si l'opération de coupe est interrompue pour une raison quelconque, éteindre l'outil électrique et le maintenir immobile jusqu'à ce que la meule s'arrête complètement. Ne jamais tenter de retirer la meule de la pièce tronçonnée tant que la meule tourne pour éviter le rebond.** Déterminer et résoudre la cause du coincement de la lame..
- **Ne pas reprendre le tronçonnage directement sur la pièce à travailler. Permettre à la meule d'atteindre sa vitesse maximale puis la réinsérer soigneusement dans le trait de coupe.** La meule risque de se coincer, de se soulever ou de rebondir si cette précaution n'est pas prise.
- **Soutenir les panneaux et toute pièce à travailler surdimensionnée afin de minimiser les risques de pincement et de rebond de la meule.** Les pièces à travailler de grandes dimensions ont tendance à fléchir sous leur propre poids. Il importe donc de disposer des supports sous la pièce à travailler, près du trait de coupe et au bord de la pièce à travailler, des deux côtés de la meule.
- **Redoubler de prudence lors de la découpe d'évidements dans des cloisons ou autres endroits sans visibilité arrière.** La partie en saillie de la meule peut couper les conduites d'eau ou de gaz, le câblage électrique et tout autre objet pouvant provoquer un rebond.

## REBOND ET AVERTISSEMENTS COMPLÉMENTAIRES :

Le rebond est une réaction soudaine occasionnée par une meule en rotation se pinçant ou se grippant. Le pincement ou le grippage provoque le blocage immédiat de la meule en rotation qui, à son tour, entraîne l'outil incontrôlé dans le sens opposé à la rotation de l'accessoire, à l'endroit du pincement.

Par exemple, lorsque la meule se grippe ou se coince dans la pièce à travailler, le bord de la meule pénétrant dans le point de pincement peut creuser la surface du matériau et provoquer son élévation ou sa déviation. La meule peut bondir vers l'avant ou s'éloigner de l'utilisateur selon la direction du mouvement de la meule au moment où elle a atteint le point de pincement. Dans ces conditions d'utilisation, les meules peuvent également se briser.

Un rebond est causé par à une mauvaise utilisation de l'outil ou au non-respect des procédures ou des conditions d'utilisation et peut être évité en respectant les précautions prescrites ci-dessous :






# AVERTISSEMENTS DE SÉCURITÉ EN CE QUI A TRAIT À LA SCIE À CARREAUX

## RÈGLES DE SÉCURITÉ SUPPLÉMENTAIRES








- **Apprendre à connaître l'outil.** Lire attentivement le manuel d'utilisation. Apprendre les applications et les limites de l'outil, ainsi que les risques spécifiques relatifs à son utilisation. Le respect de cette consigne réduira les risques d'incendie, de choc électrique et de blessures graves.
- **Toujours porter une protection oculaire avec écrans latéraux certifiée conforme à la norme ANSI Z87.1.** Si cette précaution n'est pas prise, des objets peuvent être projetés dans les yeux et causer des lésions graves.
- **Protection respiratoire.** Porter un masque facial ou un masque anti-poussière si le travail produit de la poussière. Le respect de cette consigne réduira les risques de blessures graves.
- **Protection auditive.** Porter une protection auditive lors de l'utilisation prolongée. Le respect de cette règle réduira les risques de blessures graves.
- **Inspecter régulièrement les cordons d'alimentation des outils et s'ils sont endommagés, les confier au centre de réparations agréé le plus proche. Toujours être conscient de l'emplacement du cordon.** Le respect de cette règle réduira les risques de choc électrique et d'incendie.
- **Garder le raccordement de la rallonge au sec et loin du sol pour réduire le risque d'électrocution.** Garder l'outil au sec lorsque vous appliquez de l'eau sur la meule. Ne pas vous tenir debout dans l'eau lorsque vous opérez l'outil. Ne pas toucher à la prise avec les mains mouillées. Garder les personnes à l'écart de l'eau et de l'électricité.
- **Vérifier l'état des pièces.** Avant d'utiliser l'outil de nouveau examiner soigneusement les pièces et dispositifs de protection qui semblent endommagés afin de déterminer s'ils fonctionnent correctement et s'ils remplissent les fonctions prévues. Vérifier l'alignement des pièces mobiles, s'assurer qu'aucune pièce n'est bloquée ou cassée, vérifier la fixation de chaque pièce et s'assurer qu'aucun autre problème ne risque d'affecter le bon fonctionnement de l'outil. Toute protection ou pièce endommagée doit être correctement réparée ou remplacée dans un centre de réparations agréé. Le respect de cette consigne réduira les risques de choc électrique, d'incendie et de blessures graves.
- **S'assurer que le cordon prolongateur est en bon état.** Si un cordon prolongateur est utilisé, s'assurer que sa capacité est suffisante pour supporter le courant de fonctionnement de l'outil. Un calibre de fil (A.W.G) d'au minimum 14 est recommandé pour un cordon prolongateur de 7,6 m (25 pi) ou moins. L'usage d'un cordon de plus de 30 m (100 pi) est déconseillé. En cas de doute, utiliser un cordon du calibre immédiatement supérieur. Moins le numéro de calibre est élevé, plus la capacité du fil est grande. Un cordon de capacité insuffisante causerait une baisse de la tension de ligne, entraînant une perte de puissance et une surchauffe.
- **Si le cordon d'alimentation est endommagé,** il doit être remplacé uniquement par le fabricant ou par un centre de réparation agréé pour éviter tout risque.
- **Conserver ces instructions.** Les consulter fréquemment et les utiliser pour instruire les autres utilisateurs éventuels. Si cet outil est prêté, il doit être accompagné de ces instructions.

# SYMBOLES

Les termes de mise en garde suivants et leur signification ont pour but d'expliquer le degré de risques associé à l'utilisation de ce produit.

SYMBOLE	SIGNAL	SIGNIFICATION
	<b>DANGER :</b>	Indique une situation dangereuse qui, si elle n'est pas évitée, aura pour conséquences des blessures graves ou mortelles.
	<b>AVERTISSEMENT :</b>	Indique une situation dangereuse qui, si elle n'est pas évitée, pourrait entraîner des blessures graves ou mortelles.
	<b>ATTENTION :</b>	Indique une situation dangereuse qui, si elle n'est pas évitée, pourrait entraîner des blessures légères ou de gravité modérée.
	<b>AVIS :</b>	(Sans symbole d'alerte de sécurité) Indique les informations jugées importantes sans toutefois représenter un risque de blessure (ex. : messages concernant les dommages matériels).

Certains des symboles ci-dessous peuvent être présents sur le produit. Veiller à les étudier et à apprendre leur signification. Une interprétation correcte de ces symboles permettra d'utiliser l'outil plus efficacement et de réduire les risques.

SYMBOLE	NOM	DÉSIGNATION / EXPLICATION
	Symbole d'alerte de sécurité	Indique un risque de blessure potentiel.
	Lire le manuel d'utilisation	Pour réduire les risques de blessures, l'utilisateur doit lire et veiller à bien comprendre le manuel d'utilisation avant d'utiliser ce produit.
	Protection oculaire	Toujours porter une protection oculaire avec écrans latéraux certifiée conforme à la norme ANSI Z87.1.
	Avertissement concernant l'humidité	Ne pas exposer l'outil à la pluie ni à l'humidité.
	Symbole garder les mains à l'écart	Tenir les mains près de la meule représente un risque de blessures graves.
	Électrocution	Une mauvaise mise à la terre peut causer une électrocution.
V	Volts	Tension
A	Ampères	Intensité
Hz	Hertz	Fréquence (cycles par seconde)
W	Watts	Puissance
min	Minutes	Temps
~	Courant alternatif	Type de courant
$n_0$	Vitesse à vide	Vitesse de rotation à vide
	Construction de classe II	Construction à double isolation
.../min	Par minute	Tours, coups, vitesse périphérique, orbites, etc., par minute

# CARACTÉRISTIQUES ÉLECTRIQUES

## DOUBLE ISOLATION

La double isolation est un dispositif de sécurité utilisé sur les outils à moteur électriques, éliminant le besoin pour un cordon d'alimentation trois fil avec prise de terre habituel. Toutes les pièces métalliques exposées sont isolées des composants internes du moteur. Les outils à double isolation ne nécessitent pas de mise à la terre.

### AVERTISSEMENT :

Le système à double isolation est conçu pour protéger l'utilisateur contre les chocs électriques causés par une rupture du câblage interne de l'outil. Prendre toutes les précautions de sécurité normales pour éviter les chocs électriques.

**NOTE:** Le dépannage d'un outil à double isolation exigeant des précautions extrêmes et la connaissance du système, il ne doit être confié qu'à un technicien de service qualifié. En ce qui concerne les réparations, nous recommandons de confier l'outil au centre de réparation le plus proche. Utiliser exclusivement des pièces d'origine pour les réparations.

## CONNEXION ÉLECTRIQUE

Ce produit est équipé d'un moteur électrique de précision. Il doit être branché sur une **alimentation 120 V, 60 Hz, c.a. uniquement (courant résidentiel standard)**. Ne pas utiliser cet outil sur une source de courant continu (c.c.). Une chute de tension importante causerait une perte de puissance et une surchauffe du moteur. Si l'outil ne fonctionne pas une fois branché, vérifier l'alimentation électrique.

## CORDONS PROLONGATEURS

Lors de l'utilisation d'un outil électrique à grande distance d'une prise secteur, veiller à utiliser un cordon prolongateur d'une capacité suffisante pour supporter le prélèvement de courant du moteur. Un cordon de capacité insuffisante causerait une baisse de la tension de ligne, entraînant une perte de puissance et une surchauffe. Se reporter au tableau ci-dessous pour déterminer la taille de fils requise pour un cordon donné. Utiliser exclusivement des cordons homologués par Underwriter's Laboratories (UL).

Pour les travaux à l'extérieur, utiliser un cordon spécialement conçu à cet effet. La gaine des cordons de ce type porte l'inscription « WA » ou « W ».

Avant d'utiliser un cordon prolongateur, vérifier que les fils ne sont ni détachés ni exposés et que l'isolation n'est ni coupée, ni usée.

\*\*Intensité nominale (sur la plaquette signalétique de l'outil)

0-2,0 2,1-3,4 3,5-5,0 5,1-7,0 7,1-12,0 12,1-16,0

Longueur du cordon	Calibre des fils (A.W.G.)					
	16	16	16	16	14	14
25'	16	16	16	14	14	12
50'	16	16	14	12	10	—
100'	16	16	14	12	10	—

\*\*Utilisé sur circuit de calibre 12 – 20 A

**NOTE :** AWG = American Wire Gauge

### AVERTISSEMENT :

Maintenir le cordon prolongateur à l'écart de la zone de travail. Lors du travail avec un cordon électrique, placer le cordon de manière à ce qu'il ne risque pas de se prendre dans les pièces de bois, outils et autres obstacles. Ne pas prendre cette précaution peut entraîner des blessures graves.

### AVERTISSEMENT :

Vérifier l'état des cordons prolongateurs avant chaque utilisation. Remplacer immédiatement tout cordon endommagé. Le fait de ne jamais utiliser un outil dont le cordon d'alimentation est endommagé car tout contact avec une partie dénudée pourrait causer un choc électrique et des blessures graves.

## DISJONCTEUR DE FUITE À LA TERRE

Voir la figure 1, page 15.

Cette unité est équipée d'un disjoncteur de fuite à la terre qui protège des dangers de courants de défaut à la terre. Un exemple de courant de défaut à la terre est le courant qui passerait par une personne utilisant un appareil dont l'isolation serait défectueuse, et qui serait en même temps en contact avec une mise électrique à la terre, telle qu'un dispositif de plomberie, un sol mouillé ou la terre.

Les prises protégées par un disjoncteur de fuite à la terre ne protègent pas des court-circuits, des surcharges et des chocs électriques.

**NOTE :** The GFCI plug proficed will "open" each time that it is disconnected from the AC wall recepticle. Pour s'assurer que le produit est toujours prêt à être utilisé, appuyer sur le bouton « Reset » (Réinitialisation) chaque fois que le produit est branché à la source d'alimentation.

Les prises protégées par un disjoncteur de fuite à la terre fiche testées au moyen des boutons TEST et RESET (Réinitialisation).

### Pour tester :

- Appuyer sur le bouton TEST. Ceci doit faire sortir le bouton « Reset » (Réinitialiser).

# CARACTÉRISTIQUES ÉLECTRIQUES

- Pour restaurer l'alimentation, appuyer sur le bouton « Reset » (Réinitialiser).

Effectuer ce test chaque mois pour assurer un bon fonctionnement du disjoncteur de fuite à la terre.

## AVERTISSEMENT :

Ne pas opérer l'outil sans disjoncteur de fuite à la terre approprié. Ne pas remplacer le cordon pour tenter de contourner le disjoncteur de fuite à la terre. Si le cordon est endommagé, ne pas utiliser le produit et l'apporter à un centre de service autorisé pour réparation. Ne pas prendre cette précaution peut causer des blessures graves.

## PLACER DE LA SCIE À CARREAUX

Voir la figure 2, page 15.

Afin d'éviter de mouiller la fiche de l'appareil ou la prise de courant, placer la scie à carreaux du côté d'une prise de

courant murale afin d'empêcher l'eau de s'égoutter dans la prise ou la fiche. L'utilisateur doit arranger une boucle d'égouttement dans le cordon reliant la scie à la prise de courant. La boucle d'égouttement est la partie du cordon qui se trouve sous le niveau de la prise, ou du connecteur dans le cas d'utilisation d'une rallonge, pour empêcher l'eau de s'égoutter le long du cordon et d'entrer en contact avec la prise.

Si la fiche ou la prise entrent en contact avec de l'eau NE PAS débrancher le cordon. Débrancher le fusible ou le disjoncteur qui alimentent l'outil. Ensuite, débrancher l'appareil et vérifier s'il y a de l'eau dans la prise.

## AVERTISSEMENT :

Pour réduire le risque d'électrocution, garder toutes les connexions sèches et dégagées du sol. Ne pas toucher à la fiche lorsque les mains sont mouillées.

# CARACTÉRISTIQUES

## FICHE TECHNIQUE

Diamètre de la meule (Compris) ..... 105 mm (4 po)  
Diamètre de la meule (Capacité Max) ..... 111 mm (4-3/8 po)  
Meule de coupe axe ..... 16 mm (5/8 po)  
Profondeur de coupe à 0° ..... 29.3 mm (1-5/32 po)

Profondeur de coupe à 45° ..... 19 mm (3/4 po)  
Vitesse à vide ..... 13 700 r/min (RPM)  
Type de meule ..... Meule diamant avec jante continue  
Alimentation ..... 120 V, c.a. seulement, 60 Hz, 12 A

## APPRENDRE À CONNAÎTRE LA SCIE À CARREAUX

Voir la figure 3, page 15.

L'utilisation sûre de ce produit exige une compréhension des renseignements figurant sur l'outil et contenus dans le manuel d'utilisation, ainsi qu'une bonne connaissance du projet entrepris. Avant d'utiliser ce produit, se familiariser avec toutes ses caractéristiques et règles de sécurité.

## RÉGLAGE DU BISEAU

La fonction de réglage du biseau permet d'effectuer des coupes en biseau allant jusqu'à 45°.

## MEULE DIAMANT AVEC JANTE CONTINUE

La meule diamant avec jante continue fournie avec la scie est conçue pour effectuer des coupes sous eau seulement. La coupe à sec est possible en utilisant une meule en option marquée pour une telle utilisation (non incluse). Cette scie à carreaux accepte une lame circulaire de 111 mm (4-3/8 po).

## RÉGLAGE DE LA PROFONDEUR

Modifier la profondeur de coupe de 0 mm à 29.3 mm (0 po à 1-5/32 po) à l'aide de la fonction de réglage de la profondeur.

## CONCEPTION ERGONOMIQUE

L'outil est conçu pour procurer du confort à l'utilisateur lorsque celui-ci doit le manipuler à des positions différentes et à des angles différents.

## FICHE À DISJONCTEUR DE FUITE À LA TERRE

La scie est dotée d'une fiche à disjoncteur de fuite à la terre qui la protège contre les risques associés au courant de défaut de mise à la terre. Toutefois, cette fiche n'offre aucune protection contre les courts-circuits, les surcharges ou les décharges.

## BOUTON DE VERROUILLAGE

Le bouton de verrouillage de la gâchette permet pratique pour un fonctionnement continu pendant des périodes prolongées.

## ENSEMBLE ALIMENTATION EN EAU

Pour effectuer des coupes sous eau, installer l'ensemble alimentation en eau et le raccorder à une alimentation en eau appropriée.

# ASSEMBLAGE

## DÉBALLAGE

Ce produit nécessite un assemblage.

- Avec précaution, sortir le produit et les accessoires de la boîte. S'assurer que toutes les pièces figurant sur la liste de contrôle sont incluses.

### AVERTISSEMENT :

Items in this Assembly section are not assembled to the product by the manufacturer and require customer installation. Use of a product that may have been improperly assembled could result in serious personal injury.

- Si des pièces manquent ou sont endommagées, appeler le 1-800-525-2579. Au Mexique, veuillez composer le numéro 01-800-843-1111.

### AVERTISSEMENT :

Si des pièces manquent ou sont endommagées, ne pas utiliser cet outil avant qu'elles aient été remplacées. Le fait d'utiliser ce produit même s'il contient des pièces endommagées ou s'il lui manque des pièces peut entraîner des blessures graves.

### AVERTISSEMENT :

Ne pas essayer de modifier cet outil ou de créer des accessoires non recommandés pour cet outil. De telles altérations ou modifications sont considérées comme un usage abusif et peuvent créer des conditions dangereuses pouvant entraîner des blessures graves.

### AVERTISSEMENT :

Ne pas brancher sur le secteur avant d'avoir terminé l'assemblage. Le non-respect de cet avertissement peut causer un démarrage accidentel, entraînant des blessures graves.

## FIXATION DE L'ENSEMBLE ALIMENTATION EN EAU

Voir la figure 4, page 15.

L'alimentation en eau doit comprendre un système principal d'alimentation en eau fraîche. NE JAMAIS régler l'alimentation en eau au niveau élevé. La valve d'alimentation en eau comprend un interrupteur « On/Off » (Marche/arrêt) levier de commande qui permet d'activer et d'arrêter l'écoulement de l'eau sur la meule.

- Débrancher la scie.
- Fixer l'ensemble alimentation en eau sur la scie tel qu'indiqué à l'aide de la vis fournie. Serrer solidement.

- En gardant le robinet complètement fermé, fixer l'adaptateur pour robinet sur un boyau de jardin ou sur un robinet extérieur.
- Une fois la meule installée, la scie à carreaux est prête à être utilisée.

**NOTE:** L'outil est évalué pour usage avec une pression d'eau maximale de 60 psi.

**NOTE :** Il n'est pas nécessaire d'installer l'ensemble alimentation en eau pour effectuer des coupes à sec.

### AVERTISSEMENT :

La taille maximum de meule pouvant être utilisée sur cette scie est de 111 mm (4-3/8 po). Ne jamais utiliser une meule trop épaisse pour permettre à la rondelle extérieure de la meule de coupe de s'engager sur les méplats de la broche. Des meules de trop grand diamètre toucheraient les protections de meules et des meules trop épaisses empêcheraient que le vis puisse maintenir la meule sur la broche. Ces deux situations peuvent causer un accident grave.

### AVERTISSEMENT :

Ne pas utiliser de meules dont la vitesse à vide de rotation nominale est inférieure à celle de l'outil. Le non-respect de cet avertissement pourrait entraîner des blessures graves. Ne jamais utiliser des meules qui ont des ouvertures, des rainures, ou des dents sur cet outil.

### AVERTISSEMENT :

Ne pas utiliser de meules dentelées ou segmentées. Utiliser uniquement des meules diamant avec jante continue conçues pour les matériaux de maçonnerie.

## INSTALLATION DE LA MEULE

Voir les figures 5 et 6, page 16.

- Débrancher la scie.
- Tenir la rondelle extérieure de la meule de coupe en utilisant la clé hexagonale fermée.
- À l'aide de l'autre main, utiliser la clé hexagonale à manche en T pour retirer la vis de la meule de coupe en la tournant dans le sens horaire.
- Retirer la rondelle extérieure de la meule de coupe.

### AVERTISSEMENT :

Si la douille à collerette intérieure a été retirée, la remettre en place avant d'installer la meule sur la broche. Le non-respect de cette mise en garde peut empêcher le serrage correct de la meule et entraîner des blessures graves.

# ASSEMBLAGE

- S'assurer que la flèche se trouvant sur la meule et la flèche se trouvant sur la scie pointent dans la même direction.
- Insérer la lame à l'intérieur du protège-meule, entre les deux buses de l'alimentation en eau et sur la douille de collerette intérieure.
- Replacer la rondelle extérieure de la meule de coupe.
- Tenir la rondelle extérieure de la meule de coupe en utilisant la clé hexagonale fermée.
- Aligner la rondelle de meule extérieure avec la douille de meule intérieure jusqu'à ce qu'elle s'insère.
- Serrer solidement la vis de la meule de coupe en la tournant dans le sens antihoraire à l'aide de la clé hexagonale à manche en T.

**NOTE :** Ne jamais utiliser une meule trop épaisse afin de permettre à la rondelle extérieure de la meule de coupe de s'engager sur le méplat de la broche.

# UTILISATION

## DANGER :

**Garder les mains à l'écart de la zone de coupe et de la meule de coupe. Garder la deuxième main sur la poignée auxiliaire ou le boîtier du moteur.** Lorsque les deux mains sont utilisées pour tenir la scie, elles ne risquent pas d'être blessées par la meule de coupe.

## AVERTISSEMENT :

Ne pas laisser la familiarité avec ce produit faire oublier la prudence. Ne pas oublier qu'une fraction de seconde d'inattention peut entraîner des blessures graves.

## AVERTISSEMENT :

Toujours porter une protection oculaire certifiée conforme à la norme ANSI Z87.1. Si cette précaution n'est pas prise, des objets peuvent être projetés dans les yeux et causer des lésions graves.

## AVERTISSEMENT :

Ne pas utiliser d'accessoires ou d'outils non recommandés par le fabricant de cet outil. L'utilisation de pièces et accessoires non recommandés peut entraîner des blessures graves.

## **AVIS :**

Avant chaque utilisation, inspecter complètement l'appareil et s'assurer qu'aucune pièce, telle que les vis, écrous, boulons, chapeaux, etc., n'est endommagée, manquante ou desserrée. Serrer fermement toutes les vis, les pièces de fixation et les capuchons et ne pas utiliser le produit tant que toutes les pièces manquantes ou endommagées n'ont pas été remplacées. Veuillez appeler au 1 800-525-2579 ou communiquez avec un centre de service autorisé pour obtenir de l'assistance.

## APPLICATIONS

Ce produit peut être utilisé pour la application ci-dessous :

- Pour effectuer des coupes transversales, des coupes longitudinales, des coupes en biseau et des découpes d'ouvertures sec ou sous eau dans des carreaux faits à la main, des pavés et des carreaux de pierre naturelle.

## MEULE DE COUPES

Aucune meule, même la meilleure, ne permettra d'effectuer des coupes efficaces si elle est émoussée ou très usée. L'usage d'une meule de coupe émoussée impose une forte charge sur la scie. Garder des meule de coupes de rechange à portée de la main afin de toujours disposer d'un outil affûté.

## AVERTISSEMENT :

De ce fait, il est impératif de garder les mains à l'écart de la zone de coupe et de la meule. Le contact de toute partie du corps avec la meule peuvent causer des blessures graves.

## MISE EN MARCHÉ ET ARRÊT DE LA SCIE

*Voir la figure 7, page 16.*

**Pour mettre la scie en marche :** Appuyer sur la gâchette. Toujours laisser la meule parvenir à sa vitesse maximum avant de l'engager dans le bois.

**Pour arrêter la scie :** Relâcher la gâchette.

Une fois la gâchette relâchée laisser la meule parvenir à l'arrêt complet. NE PAS retirer la scie de la pièce avant l'arrêt complet de la meule.

## BOUTON DE VERROUILLAGE

*Voir la figure 7, page 16.*

Cette scie est dotée d'un bouton de verrouillage de gâchette, commode pour continu prolongé.

### Verrouillage :

- Appuyer et tenir sur la gâchette.
- Maintenir le bouton de verrouillage, situé sur le côté de la poignée, enfoncé.

# UTILISATION

- Relâcher la gâchette.
- Relâcher le bouton de verrouillage.
- Pour désengager le verrouillage, appuyer sur la gâchette, puis la relâcher.

## RÉGLAGE DE LA PROFONDEUR DE COUPE

Voir la figure 8, page 16.

Toujours maintenir un réglage de profondeur de coupe correct. La meule ne doit pas dépasser de plus de 6,35 mm (1/4 po) au-dessous de la planche coupée. Un dépassement plus important augmente le risque de rebond et nuit à la netteté de la coupe.

### Pour régler la profondeur de coupe :

- Débrancher la scie.

#### **AVERTISSEMENT :**

Ne pas débrancher l'outil peut causer un démarrage accidentel, entraînant des blessures graves.

- Desserrez la poignée de profondeur verrouillage en la tournant dans le sens contraire à celui des aiguilles d'une montre.
- Maintenir la base à plat contre la pièce à travailler, puis soulever ou abaisser la scie jusqu'à la profondeur de coupe désirée.
- Serrer fermement le profondeur bouton en le tournant vers la droite.

## UTILISATION DE LA SCIE

Voir les figures 9 et 10, page 16.

Il est essentiel de comprendre la méthode correcte d'utilisation de la scie. Voir les illustrations de cette section montrant les façons correctes et incorrectes d'utiliser la scie.

#### **AVERTISSEMENT :**

Toujours garder le contrôle de la scie pour faciliter le travail et assurer la sécurité. Une perte de contrôle peut entraîner des blessures graves.

#### **AVERTISSEMENT :**

Lorsque la scie est retirée de la planche, la partie inférieure de la meule reste exposée.

### Pour obtenir une qualité de coupe maximum :

- Tenir la scie fermement.
- Éviter de placer la main sur la pièce pendant la coupe.
- Soutenir la planche de manière à ce qu'elle se trouve toujours à gauche.
- Soutenir la pièce à couper près du trait de scie.

- Assujettir la pièce solidement, afin qu'elle ne risque pas de bouger pendant la coupe.
- Éviter de placer sur la partie de la pièce qui tombera une fois la coupe effectuée.
- Placer la pièce avec la « bonne » face vers le bas.
- Tracer la ligne de coupe désirée avant de commencer le travail.
- Garder le cordon d'alimentation à l'écart de la zone de coupe. Toujours placer le cordon d'alimentation de manière à ce qu'il ne pende pas sur la pièce pendant la coupe.
- Au moment d'effectuer des coupes sous eau, régler la valve d'alimentation en eau de manière à activer l'écoulement d'eau.

#### **DANGER :**

Si le cordon d'alimentation se pose sur la pièce pendant la coupe, relâcher la gâchette immédiatement et permettre à la meule parvenir à l'arrêt complet. Débrancher la scie et repositionner le cordon, de manière à ce que le problème ne se reproduise plus.

#### **DANGER :**

L'utilisation d'une scie dont le cordon est endommagé pourrait causer un choc électrique et des blessures graves ou mortelles. Si le cordon est endommagé, le faire remplacer avant d'utiliser la scie de nouveau.

## EXÉCUTION DE COUPES

Toujours dessiner la ligne être coupée sur le carreaux utilisant un crayon de borne ou graisse. Si le carreaux est brillant et dur-à-la-marque, le lieu masquant la bande sur le carreau et marque la bande.

Un problème commun en coupant le carreaux erre de la ligne marquée. Une fois vous avez erré de la marque, vous ne pouvez pas forcer la meule de retour à la ligne en tordant le carreaux. Plutôt, la sauvegarde et recut que le carreaux coupant en tranches d'une petite quantité de carreau jusqu'à ce que la meule est arrière sur la piste.

Pour éviter ce problème, utiliser le guide de chant déchirure quand possible. Utiliser le guide de chant en faisant les coupes transversale et les coupes d'onglet et le bois de biseau pour biseaute des coupures.

Effectuer les coupes sous eau à l'extérieur.

### POUR EFFECTUER UNE COUPE TRANSVERSALE

Voir la figure 11, page 16.

Les coupes transversale sont directement 90° les coupures. Le matériel est nourri dans la coupure à un 90° l'angle à la roue, et la meule est verticale.

# UTILISATION

- L'utilisation d'un crayon de borne ou graisse, marquer le secteur être coupé sur le matériel.
- Immobiliser la pièce à travailler.
- Au moment d'effectuer des coupes sous eau, régler la valve d'alimentation en eau de manière à activer l'écoulement d'eau.
- Appuyer sur la gâchette pour mettre en marche la scie.
- Laissez le muele de coupe atteindre son régime maximum et attendre le muele pour obtenir mouillé avant d'avancer le meule vers le matériau.
- Une fois la coupe effectuée, relâcher la gâchette. Attendre que la meule s'arrête complètement avant de retirer la scie du matériau.
- Arrêter la circulation d'eau.

## POUR EFFECTUER UNE COUPE EN DIAGONALE

*Voir la figure 12, page 17.*

Les coupes diagonales sont aussi connues sous le nom de « coupes de long point à long point ».

- L'utilisation d'un crayon de borne ou graisse, marquer le secteur être coupé sur le matériel.
- Immobiliser la pièce à travailler.
- Au moment d'effectuer des coupes sous eau, régler la valve d'alimentation en eau de manière à activer l'écoulement d'eau.
- Appuyer sur la gâchette pour mettre en marche la scie.
- Laissez le muele de coupe atteindre son régime maximum et attendre le muele pour obtenir mouillé avant d'avancer le meule vers le matériau.
- Une fois la coupe effectuée, relâcher la gâchette. Attendre que la meule s'arrête complètement avant de retirer la scie du matériau.
- Arrêter la circulation d'eau.

## POUR EFFECTUER UNE COUPE D'ONGLET

*Voir la figure 13, page 17*

Une coupe d'onglet pour couper les coins intérieures et extérieures de tuiles avec le matériel à n'importe quel angle à la roue autrement que 90°. Les coupes d'onglet ont tendance à « ramper » pendant la coupe. Cela peut être contrôlé en maintenant solidement la pièce à travailler contre un guide de bords droit.

- L'utilisation d'un crayon de borne ou graisse, marquer le secteur être coupé sur le matériel.
- Immobiliser la pièce à travailler.
- Au moment d'effectuer des coupes sous eau, régler la valve d'alimentation en eau de manière à activer l'écoulement d'eau.
- Appuyer sur la gâchette pour mettre en marche la scie.
- Laissez le muele de coupe atteindre son régime maximum et attendre le muele pour obtenir mouillé avant d'avancer le meule vers le matériau.
- Une fois la coupe effectuée, relâcher la gâchette. Attendre que la meule s'arrête complètement avant de retirer la scie du matériau.
- Arrêter la circulation d'eau.

## POUR EFFECTUER UNE COUPE EN L

*Voir la figure 14, page 17.*

Une coupe en L est une section de la matériaux q'on retire et qu'on utilise lorsqu'on coupe un morceau de matériaux afin de l'ajuster dans le coin d'une armoire ou une boiserie et sont fait par deux coupures séparées.

**NOTE :** Seulement overcut dessous ou au-dessous du côté du matériel est coupé.

- L'utilisation d'un crayon de borne ou graisse, marquer le secteur être coupé sur le matériel.
- Immobiliser la pièce à travailler.
- Au moment d'effectuer des coupes sous eau, régler la valve d'alimentation en eau de manière à activer l'écoulement d'eau.
- Appuyer sur la gâchette pour mettre en marche la scie.
- Laissez le muele de coupe atteindre son régime maximum et attendre le muele pour obtenir mouillé avant d'avancer le meule vers le matériau.
- Faire la coupe loin assez dans le matériel sans surcoupe.
- Relâcher la gâchette. Attendre que la meule s'arrête complètement avant de retirer la scie du matériau.
- Tourner le matériel sur et faire la coupe le long d'une des marques. Ce surcoupe de temps l'autre ligne et le morceau de coupure doivent séparer du reste du matériel.
- Appuyer sur la gâchette.
- Laissez le muele de coupe atteindre son régime maximum et attendre le muele pour obtenir mouillé avant d'avancer le meule vers le matériau.
- Une fois la coupe effectuée, relâcher la gâchette. Attendre que la meule s'arrête complètement avant de retirer la scie du matériau.
- Arrêter la circulation d'eau.

## POUR EFFECTUER UNE COUPE BISEAU

*Voir la figure 15, page 17.*

Il est possible d'effectuer des coupes en biseau de 45° en ajustant la position de la tête du moteur.

- L'utilisation d'un crayon de borne ou graisse, marquer le secteur être coupé sur le matériel.
- Immobiliser la pièce à travailler.
- Desserrer le bouton de verrouillage du levier de réglage du biseau situé à l'avant de la scie.
- Tourner la base jusqu'au réglage d'inclinaison désiré sur l'échelle d'angle de biseau.
- Serrer solidement le bouton de verrouillage du levier de réglage du biseau.
- Au moment d'effectuer des coupes sous eau, régler la valve d'alimentation en eau de manière à activer l'écoulement d'eau.
- Appuyer sur la gâchette pour mettre en marche la scie.
- Laissez le muele de coupe atteindre son régime maximum et attendre le muele pour obtenir mouillé avant d'avancer le meule vers le matériau.
- Une fois la coupe effectuée, relâcher la gâchette. Attendre que la meule s'arrête complètement avant de retirer la scie du matériau.
- Arrêter la circulation d'eau.



# ENTRETIEN

## AVERTISSEMENT :

Utiliser exclusivement des pièces identiques à celles d'origine pour les réparations. L'usage de toute autre pièce pourrait créer une situation dangereuse ou endommager l'outil.

## AVERTISSEMENT :

Toujours porter une protection oculaire avec écrans latéraux certifiée conforme à la norme ANSI Z87.1. Si cette précaution n'est pas prise, des objets peuvent être projetés dans les yeux et causer des lésions graves.

## ENTRETIEN GÉNÉRAL

Éviter d'utiliser des solvants pour le nettoyage des pièces en plastique. La plupart des matières plastiques peuvent être endommagées par divers types de solvants du commerce. Utiliser un chiffon propre pour éliminer la saleté, la poussière, l'huile, la graisse, etc.

## AVERTISSEMENT :

Ne jamais laisser de liquides tels que le fluide de freins, l'essence, les produits à base de pétrole, les huiles pénétrantes, etc., entrer en contact avec les pièces en plastique. Les produits chimiques peuvent endommager, affaiblir ou détruire le plastique, ce qui peut entraîner des blessures graves.

Les outils électriques utilisés sur la fibre de verre, le placoplâtre, les mastics de bouchage ou le plâtre s'usent plus vite et sont susceptibles de défaillance prématurée, car les particules et les éclats de fibre de verre sont fortement abrasifs pour les roulements, balais, commutateurs, etc. Toutefois, si l'outil a été utilisé sur l'un de ces matériaux, il est extrêmement important de le nettoyer à l'air comprimé.

## LUBRIFICATION

Tous les roulements de ce produit sont enduits d'une quantité suffisante de lubrifiant de haute qualité pour la durée de vie de l'outil, dans des conditions d'utilisation normales. Aucune autre lubrification n'est donc nécessaire.

## REPLACEMENT DU CORDON D'ALIMENTATION

S'il y a lieu, le cordon d'alimentation doit être remplacé par un centre de réparation agréé afin d'éviter tout risque.

## REPLACEMENT DES BALAIS

Voir la figure 16, page 17.

**NOTE :** La scie est dotée de deux balais accessibles par l'extérieur et situés de chaque côté du logement de la scie.

- Débrancher la scie.

## AVERTISSEMENT :

Ne pas débrancher la scie peut causer un démarrage accidentel, entraînant des blessures graves.

- Retirer les capuchons de balais à l'aide d'un tournevis.
- Retirer les balais.
- Regarder s'ils sont usés. Remplacer les deux balais lorsque la longueur du carbone est de 6,4 mm (1/4 po) ou moins.

**NOTE :** Ne jamais remplacer un seul balai.

- Installer les nouveaux balais. S'assurer que la courbure des balais correspond à celle du moteur et que les balais tournent librement dans leurs tubes.
- Réinstaller les balais en reprenant la procédure de démontage ci-dessus à l'inverse.
- Serrer fermement les capuchons de balais. Ne pas trop serrer.

## ENTRETIEN DE LA MEULE

Si la meule ralentit ou si sa capacité de coupe se détériore elle nécessite peut-être un polissage. Le fait de couper un pavé en brique permet de polir la meule et d'accroître son rendement.

**NOTE : ILLUSTRATIONS COMMENÇANT SUR 14 DE PAGE APRÈS LA SECTION ESPAGNOL**

# ADVERTENCIAS DE SEGURIDAD GENERALES PARA EL USO DE HERRAMIENTAS ELÉCTRICAS



## ADVERTENCIA:

Lea todas las advertencias de seguridad y todas las instrucciones. La inobservancia de las advertencias e instrucciones puede causar descargas eléctricas, incendios o lesiones graves.

Guarde todas las advertencias e instrucciones para consultarlas en el futuro. El término “herramienta eléctrica” en las advertencias se refiere a las herramientas eléctricas que funcionan con corriente (con cordón) o las que funcionan con batería (inalámbricas).

## ÁREA DE TRABAJO

- **Mantenga limpia y bien iluminada el área de trabajo.** Un área de trabajo mal despejada o mal iluminada propicia accidentes.
- **No utilice herramientas motorizadas en atmósferas explosivas, como las existentes alrededor de líquidos, gases y polvos inflamables.** Las herramientas eléctricas generan chispas que pueden encender el polvo y los vapores inflamables.
- **Mantenga alejados a los niños y circunstantes al maniobrar una herramienta eléctrica.** Toda distracción puede causar la pérdida del control de la herramienta.

## SEGURIDAD ELÉCTRICA

- **Las clavijas de las herramientas eléctricas deben corresponder a las tomas de corriente donde se conectan. Nunca modifique la clavija de ninguna forma. No utilice ninguna clavija adaptadora con herramientas eléctricas dotadas de contacto a tierra.** Conectando las clavijas originales en las tomas de corriente donde corresponden se disminuye el riesgo de una descarga eléctrica.
- **Evite el contacto del cuerpo con las superficies de objetos conectados a tierra, como las tuberías, radiadores, estufas y refrigeradores.** Existe un mayor riesgo de descargas eléctricas si el cuerpo está haciendo tierra.
- **No exponga las herramientas eléctricas a la lluvia ni a condiciones de humedad.** La introducción de agua en una herramienta eléctrica aumenta el riesgo de descargas eléctricas.
- **No maltrate el cordón eléctrico. Nunca utilice el cordón para trasladar, desconectar o tirar de la herramienta eléctrica. Mantenga el cordón lejos del calor, aceite, bordes afilados y piezas móviles.** Los cordones eléctricos dañados o enredados aumentan el riesgo de descargas eléctricas.
- **Al utilizar una herramienta eléctrica a la intemperie, use un cordón de extensión apropiado para el exterior.** Usando un cordón adecuado para el exterior se disminuye el riesgo de descargas eléctricas.
- **Si debe operar una herramienta en lugares húmedos, use un suministro protegido por un interruptor de circuito con pérdida a tierra (GFCI).** El uso de un GFCI reduce el riesgo de descargas eléctricas.

## SEGURIDAD PERSONAL

- **Permanezca alerta, preste atención a lo que esté haciendo y aplique el sentido común al utilizar herramientas eléctricas. No utilice la herramienta eléctrica si está cansado o se encuentra bajo los efectos de alguna droga, alcohol o medicamento.** Un momento de inatención al utilizar una herramienta eléctrica puede causar lesiones corporales serias.
- **Utilice protección el equipo otros. Siempre póngase protección ocular.** El uso de equipo protector como mascarilla para el polvo, calzado de seguridad, casco y protección para los oídos en las circunstancias donde corresponda disminuye el riesgo de lesiones.
- **Evite que la herramienta se active accidentalmente. Asegúrese de que el interruptor esté en la posición de apagado antes de conectar la herramienta a un suministro de corriente o paquete de baterías. Tome esta precaución también antes de levantar o trasladar la unidad.** Transportar herramientas eléctricas con el dedo en el interruptor o enchufar herramientas eléctricas que tienen el interruptor encendido puede ocasionar accidentes.
- **Retire toda llave o herramienta de ajuste antes de encender la herramienta eléctrica.** Toda llave o herramienta de ajuste dejada en una pieza giratoria de la herramienta eléctrica puede causar lesiones.
- **No estire el cuerpo para alcanzar mayor distancia. Mantenga una postura firme y buen equilibrio en todo momento.** De esta manera se logra un mejor control de la herramienta eléctrica en situaciones inesperadas.
- **Vístase adecuadamente. No vista ropas holgadas ni joyas. Mantenga el cabello, la ropa y los guantes alejados de las piezas móviles.** Las ropas holgadas y las joyas, así como el cabello largo, pueden engancharse en las piezas móviles.
- **Si se suministran dispositivos para conectar mangueras de extracción y captación de polvo, asegúrese de que éstas estén bien conectadas y se usen correctamente.** El uso de la captación de polvo puede reducir los peligros relacionados con éste.
- **No vista ropas holgadas ni joyas. Recójase el cabello si está largo.** Las ropas holgadas y las joyas, así como el cabello largo, pueden resultar atraídas hacia el interior de las aberturas de ventilación.
- **No utilice la unidad al estar en una escalera o en un soporte inestable.** Una postura estable sobre una superficie sólida permite un mejor control de la herramienta eléctrica en situaciones inesperadas.

## EMPLEO Y CUIDADO DE LA HERRAMIENTA ELÉCTRICA

- **No fuerce la herramienta eléctrica. Utilice la herramienta eléctrica adecuada para cada trabajo.** La herramienta eléctrica adecuada efectúa mejor y de manera más segura el trabajo, si además se maneja a la velocidad para la que está diseñada.
- **No utilice la herramienta si el interruptor no enciende ni se apaga.** Cualquier herramienta eléctrica que no pueda controlarse con el interruptor es peligrosa y debe repararse.

# ADVERTENCIAS DE SEGURIDAD GENERALES PARA EL USO DE HERRAMIENTAS ELÉCTRICAS

- **Desconecte la clavija del suministro de corriente o retire el paquete de pilas de la herramienta eléctrica, según sea el caso, antes de efectuarle cualquier ajuste, cambiarle accesorios o guardarla.** Tales medidas preventivas de seguridad reducen el riesgo de poner en marcha accidentalmente la herramienta eléctrica.
- **Guarde las herramientas eléctricas desocupadas fuera del alcance de los niños y no permita que las utilicen personas no familiarizadas con las mismas o con estas instrucciones.** Las herramientas son peligrosas en manos de personas no capacitadas en el uso de las mismas.
- **Preste mantenimiento a las herramientas eléctricas. Revise para ver si hay desalineación o atoramiento de piezas móviles, ruptura de piezas o toda otra condición que pueda afectar el funcionamiento de la herramienta eléctrica. Si está dañada la herramienta eléctrica, permita que la reparen antes de usarla.** Numerosos accidentes son causados por herramientas eléctricas mal cuidadas.
- **Mantenga las herramientas de corte afiladas y limpias.** Las herramientas de corte bien cuidadas y con bordes bien afilados, tienen menos probabilidad de atascarse en la pieza de trabajo y son más fáciles de controlar.
- **Utilice la herramienta eléctrica, los accesorios y las brocas de la herramienta, etc. de acuerdo con estas instrucciones, teniendo en cuenta las condiciones de trabajo y la tarea que realizará.** El uso de la herramienta eléctrica en trabajos para los cuales no fue diseñada puede originar una situación peligrosa.

## SERVICIO

- **Permita que un técnico de reparación calificado preste servicio a la herramienta eléctrica, y sólo con piezas de repuesto idénticas.** De esta manera se mantiene la seguridad de la herramienta eléctrica.
- **Al dar servicio a una herramienta eléctrica, sólo utilice piezas de repuesto idénticas. Siga las instrucciones señaladas en la sección Mantenimiento de este manual.** El empleo de piezas no autorizadas o el incumplimiento de las instrucciones de mantenimiento puede significar un riesgo de descarga eléctrica o de lesiones.

# INSTRUCCIONES DE SEGURIDAD PARA OPERACIONES CON DISCOS DE TROCEAR ABRASIVOS

- **La protección provista con la herramienta eléctrica debe fijarse firmemente a esta y colocarse para brindar la máxima seguridad posible, de manera que el disco quede expuesto lo menos posible en dirección al operador. Ubíquese y ubique a las personas presentes lejos del plano del disco en movimiento.** La protección ayuda a resguardar al operador de los fragmentos de disco roto y del contacto accidental con el disco.
- **Use solamente discos de trocear diamantados con la herramienta eléctrica.** El simple hecho de que un accesorio pueda acoplarse a la herramienta eléctrica no garantiza una operación segura.
- **La velocidad nominal del accesorio debe ser, al menos, igual a la velocidad máxima que se indica en la herramienta eléctrica.** Los accesorios que funcionan a una velocidad superior a la nominal pueden romperse y salir despedidos.
- **Los discos se deben emplear solamente para los usos recomendados. Por ejemplo: no esmerile con el costado de un disco de trocear.** Los discos de trocear abrasivos están diseñados para el esmerilado periférico, y si se aplican fuerzas laterales a estos discos, pueden romperse.
- **Use siempre bridas de discos que no estén dañadas y que sean del diámetro correcto para el disco seleccionado.** Las bridas de discos adecuadas sostienen el disco y, de esa manera, reducen la posibilidad de que se rompa.
- **El diámetro externo y el grosor del accesorio deben estar dentro de la capacidad nominal de la herramienta eléctrica.** Los accesorios de tamaño incorrecto no se pueden proteger ni controlar adecuadamente.
- **El tamaño de mandril de los discos y las bridas debe ajustarse adecuadamente al husillo de la herramienta eléctrica.** Los discos y las bridas con orificios para mandril que no coinciden con las piezas de montaje de la herramienta eléctrica se desequilibran, vibran en exceso y pueden causar la pérdida del control.
- **No utilice discos dañados. Antes de cada uso, inspeccione los discos para detectar desportilladuras y grietas. Si la herramienta eléctrica o el disco se caen, controle que no tengan daños o instale un disco no dañado. Luego de inspeccionar e instalar el disco, ubíquese y ubique a las personas presentes lejos del plano del disco en movimiento y opere la herramienta eléctrica a velocidad máxima sin carga durante un minuto.** Los discos dañados generalmente se quiebran durante este tiempo de prueba.
- **Utilice un equipo de protección personal. Según la aplicación, use una careta protectora completa, gafas protectoras o anteojos de seguridad. Según sea apropiado, utilice una máscara antipolvo, protectores auditivos, guantes y un delantal de trabajo a fin de detener pequeños fragmentos abrasivos o de piezas de trabajo.** La protección ocular debe detener los fragmentos suspendidos generados por las distintas operaciones. La máscara antipolvo o el respirador deben filtrar las partículas que se generen durante la operación. La exposición prolongada a ruidos de alta intensidad puede producir pérdida auditiva.

# INSTRUCCIONES DE SEGURIDAD PARA OPERACIONES CON DISCOS DE TROCEAR ABRASIVOS

- **Mantenga a las personas presentes a una distancia prudente del área de trabajo. Toda persona que ingrese al área de trabajo debe utilizar equipos de protección personal.** Los fragmentos de las piezas de trabajo o de un disco roto pueden salir disparados y provocar lesiones fuera del área inmediata de operación..
- **Sujete la herramienta por las superficies aisladas de sujeción al efectuar una operación en la cual la herramienta de corte pueda entrar en contacto con cables ocultos o con su propio cordón eléctrico.** Todo contacto de una herramienta de corte con un cable cargado carga las piezas metálicas expuestas de la herramienta y da una descarga eléctrica al operador.
- **Coloque el cable lejos del accesorio giratorio.** Si usted pierde el control, el cable puede cortarse o enredarse, y pueden quedarle atrapados la mano o el brazo en el disco giratorio.
- **Nunca coloque la herramienta eléctrica sobre una superficie hasta que el accesorio se haya detenido por completo.** El disco giratorio puede engancharse en la superficie y hacerle perder el control de la herramienta eléctrica.
- **No utilice la herramienta eléctrica mientras la lleve a su lado.** Si el accesorio giratorio toca accidentalmente la ropa, podría atorarse y engancharse en el cuerpo.
- **Limpie regularmente las aberturas de ventilación de la herramienta eléctrica.** El ventilador del motor atraerá el polvo dentro del alojamiento y la acumulación excesiva del metal en polvo puede provocar riesgos eléctricos.
- **No utilice la herramienta eléctrica cerca de materiales inflamables.** Las chispas podrían encender estos materiales.
- **Sujete la herramienta eléctrica firmemente y coloque el cuerpo y los brazos de manera que resista las fuerzas del contragolpe. Siempre use el mango auxiliar, si la herramienta cuenta con uno, para tener el máximo control en caso de contragolpe o reacción del par de torsión durante el arranque.** El operador puede controlar las reacciones del par de torsión o las fuerzas del contragolpe, si se toman las medidas de precaución adecuadas.
- **Nunca coloque la mano cerca del accesorio en movimiento.** Es posible que se produzca un contragolpe del accesorio sobre la mano.
- **Retírese de la línea de corte del disco en movimiento.** El contragolpe impulsará la herramienta en la dirección opuesta al movimiento del disco en el punto de atoramiento.
- **Preste especial atención al trabajar en ángulos, bordes afilados, etc. Evite que el accesorio rebote y se enganche.** Los ángulos, los bordes afilados o la acción de rebote tienden a hacer que el accesorio en movimiento se atore y provocan la pérdida del control o el contragolpe..
- **No acople una cadena de sierra, de tallar hoja madera, un disco diamantado segmentado o con una hoja de sierra dentada.** Dichas hojas suelen crear con frecuencia contragolpes y la consiguiente pérdida del control.
- **Evite “trabar” el disco o aplicar demasiada presión. No intente realizar un corte excesivamente profundo.** Al forzar demasiado el disco, aumentan la carga y la propensión de que este se doble o se atasque durante el corte. También es posible que se produzca un contragolpe o daño en el disco.
- **Cuando el disco se atasca o cuando se interrumpe el corte por cualquier motivo, debe apagar la herramienta eléctrica y mantenerla inmóvil hasta que el disco se detenga por completo. Nunca intente quitar el disco del corte mientras esté en movimiento; si lo hace, se puede producir un contragolpe.** Investigue y tome las medidas correctivas pertinentes para eliminar la causa del atasco del disco.
- **No reinicie la operación de corte en la pieza de trabajo. Permita que el disco alcance la máxima velocidad y vuelva a introducirlo en el corte cuidadosamente.** El disco puede atascarse, moverse hacia atrás o producirse contragolpe si la herramienta eléctrica se vuelve a encender en la pieza de trabajo.
- **Sujete los paneles o cualquier pieza de trabajo demasiado grande para minimizar el riesgo de atoramiento y contragolpe del disco.** Las piezas de trabajo grandes tienden a pandearse por su propio peso. Se deben colocar soportes debajo de la pieza de trabajo, cerca de la línea de corte y cerca del borde de la pieza de trabajo a ambos lados del disco.
- **Tenga especial cuidado al efectuar cortes en cavidad en paredes existentes o en otras partes ciegas (sin vista por ambos lados).** El disco que sobresale podría cortar tuberías de gas o agua, cables eléctricos u objetos que pueden provocar el contragolpe.

## CONTRAGOLPE Y ADVERTENCIAS RELACIONADAS:

El contragolpe es una reacción súbita de un disco en movimiento pellizcado o atorado. El pellizcamiento o atoramiento hacen que el disco en movimiento se detenga repentinamente; esto, a la vez, hace que la herramienta eléctrica fuera de control sea despedida en dirección opuesta a la rotación del disco en el punto del atascamiento.

Por ejemplo, si un disco abrasivo se engancha o se atora en la pieza de trabajo, el borde del disco que entra en el punto de atoramiento puede hundirse en la superficie del material y hacer que el disco se salga o sea expulsado. El disco puede saltar hacia el operador o en la dirección contraria a este, según la dirección del movimiento del disco en el punto de atoramiento. Los discos abrasivos también pueden romperse en estas condiciones.

El contragolpe es el resultado del uso incorrecto de la herramienta eléctrica o de procedimientos o condiciones de trabajo incorrectos, y puede evitarse si se toman las medidas de precaución adecuadas, como las señaladas abajo:




# INSTRUCCIONES DE SEGURIDAD PARA OPERACIONES CON DISCOS DE TROCEAR ABRASIVOS

## REGLAS DE SEGURIDAD ADICIONALES








- **Familiarícese con su herramienta eléctrica.** Lea cuidadosamente el manual del operador. Aprenda sus usos y limitaciones, así como los posibles peligros específicos de esta herramienta. Con el cumplimiento de esta regla se reduce el riesgo de una descarga eléctrica, incendio o lesión seria.
- **Siempre póngase protección ocular con protección lateral con la marca de cumplimiento de la norma ANSI Z87.1.** Si no cumple esta advertencia, los objetos que salen despedidos pueden producirle lesiones serias en los ojos.
- **Protéjase los pulmones. Use una careta o mascarilla contra el polvo si la operación genera mucho polvo.** Con el cumplimiento de esta regla se reduce el riesgo de lesiones serias.
- **Protéjase los oídos. Durante períodos prolongados de utilización del producto, póngase protección d'oreille.** Con el cumplimiento de esta regla se reduce el riesgo de lesiones corporales serias.
- **Inspeccione periódicamente los cordones eléctricos de las herramientas, y si están dañados, permita que los reparen en el centro de servicio autorizado más cercano de la localidad. Observe constantemente la ubicación del cordón eléctrico.** Con el cumplimiento de esta regla se reduce el riesgo de una descarga eléctrica o incendio.
- **Para reducir el riesgo de electrocución, mantenga todas las conexiones secas y lejos del suelo.** Mantenga la herramienta seca al aplicar agua al disco de corte. No se pare sobre suelo mojado cuando opere esta herramienta. No toque el enchufe con las manos mojadas. Mantenga a las personas presentes alejadas del agua y la electricidad.
- **Revise para ver si hay piezas dañadas.** Antes de seguir utilizando la herramienta, es necesario inspeccionar cuidadosamente toda protección o pieza dañada para determinar si funcionará correctamente y desempeñará la función a la que está destinada. Verifique la alineación de las partes móviles, que no haya atoramiento de partes móviles, que no haya piezas rotas, el montaje de las piezas y cualquier otra condición que pudiera afectar su funcionamiento. Toda protección o pieza que esté dañada debe repararse apropiadamente o reemplazarse en un centro de servicio autorizado. Con el cumplimiento de esta regla se reduce el riesgo de una descarga eléctrica, incendio o lesión grave.
- **Asegúrese de que esté en buen estado el cordón de extensión.** Al utilizar un cordón de extensión, utilice uno del suficiente calibre para soportar la corriente que consume el producto. Se recomienda que los conductores sean de calibre 14 (A.W.G.) por lo menos, para un cordón de extensión de 7,6 m (25 pies) de largo o menos. No se recomienda utilizar un cordón con más de 30 m (100 pies) de largo. Si tiene dudas, utilice un cordón del calibre más grueso siguiente. Cuanto menor es el número de calibre, mayor es el grueso del cordón. Un cordón de un calibre insuficiente causa una caída en el voltaje de línea, y produce recalentamiento y pérdida de potencia.
- **Si está dañado el cordón de corriente,** debe ser reemplazado únicamente por el fabricante o en un centro de servicio autorizado para evitar riesgos.
- **Guarde estas instrucciones.** Consúltelas con frecuencia y empléelas para instruir a otras personas que puedan utilizar esta herramienta. Si presta a alguien esta herramienta, facilítele también las instrucciones.

# SÍMBOLOS

Las siguientes palabras de señalización y sus significados tienen el objeto de explicar los niveles de riesgo relacionados con este producto.

SÍMBOLO	SEÑAL	SIGNIFICADO
	<b>PELIGRO:</b>	Indica una situación peligrosa, la cual, si no se evita, causará la muerte o lesiones serias.
	<b>ADVERTENCIA:</b>	Indica una situación peligrosa, la cual, si no se evita, podría causar la muerte o lesiones serias.
	<b>PRECAUCIÓN:</b>	Indica una situación peligrosa, la cual, si no se evita, podría causar lesiones menores o leves.
	<b>AVISO:</b>	(Sin el símbolo de alerta de seguridad) Indica la información que se considera importante, pero no relacionada con lesiones potenciales (por ej. en relación a daños a la propiedad).

Es posible que se empleen en este producto algunos de los siguientes símbolos. Le suplicamos estudiarlos y aprender su significado. Una correcta interpretación de estos símbolos le permitirá utilizar mejor y de manera más segura el producto.

SÍMBOLO	NOMBRE	DENOMINACIÓN/EXPLICACIÓN
	Alerta de seguridad	Indica un peligro posible de lesiones personales.
	Lea el manual del operador	Para reducir el riesgo de lesiones, el usuario debe leer y comprender el manual del operador antes de usar este producto.
	Protección ocular	Siempre póngase protección ocular con protección lateral con la marca de cumplimiento de la norma ANSI Z87.1.
	Alerta de condiciones húmedas	No exponga la unidad a la lluvia ni la use en lugares húmedos.
	Símbolo de no acercar las manos	No mantenerlas manos alejadas de la muela de corte puede causar lesiones personales graves.
	Electrocución	El incumplimiento de conectar correctamente a tierra puede resultar en electrocución.
V	Volts	Voltaje
A	Amperios	Corriente
Hz	Hertz	Frecuencia (ciclos por segundo)
W	Watt	Potencia
min	Minutos	Tiempo
~	Corriente alterna	Tipo de corriente
n <sub>0</sub>	Velocidad en vacío	Velocidad de rotación, en vacío
	Fabricación Clase II	Fabricación con doble aislamiento
.../min	Por minuto	Revoluciones, carreras, velocidad superficial, órbitas, etc., por minuto

# ASPECTOS ELÉCTRICOS

## DOBLE AISLAMIENTO

El doble aislamiento es una característica de seguridad de las herramientas eléctricas, la cual elimina la necesidad de usar el típico cordón eléctrico de tres conductores con conexión a tierra. Todas las partes metálicas expuestas están aisladas de los componentes metálicos internos del motor por medio de aislamiento de protección. No es necesario conectar a tierra las herramientas con doble aislamiento.

### ADVERTENCIA:

El sistema de doble aislamiento está destinado a proteger al usuario contra las descargas eléctricas resultantes de la ruptura del aislamiento interno de la herramienta. Observe todas las precauciones de seguridad para evitar descargas eléctricas.

**NOTA:** El mantenimiento de una herramienta con doble aislamiento requiere sumo cuidado y conocimiento del sistema, y únicamente deben realizarlo técnicos de servicio calificados. Para el servicio de la herramienta, le sugerimos llevarla al centro de servicio autorizado más cercano para toda reparación. Siempre utilice piezas de repuesto de la fábrica original al dar servicio a la unidad.

## CONEXIÓN ELÉCTRICA

Este producto dispone de un motor eléctrico fabricado con precisión. Debe conectarse únicamente a **una línea de voltaje de 120 Volts, 60 Hertz, de corr. alt. solamente (corriente normal para uso doméstico)**. No utilice esta herramienta con corriente continua (c.c.). Una caída considerable de voltaje causa una pérdida de potencia y el recalentamiento del motor. Si la herramienta no funciona al conectarla en una toma de corriente, vuelva a verificar el suministro de voltaje.

## CORDONES DE EXTENSIÓN

Al utilizar una herramienta eléctrica a una distancia considerable de la fuente de voltaje, asegúrese de utilizar un cordón de extensión con la suficiente capacidad para soportar la corriente de consumo de la herramienta. Un cordón de un calibre insuficiente causa una caída en el voltaje de línea, la cual a su vez produce recalentamiento y pérdida de potencia. Básese en la tabla suministrada para determinar el grosor mínimo requerido del cordón de extensión. Solamente deben utilizarse cordones con forro redondo registrados en Underwriter's Laboratories (UL).

Al trabajar a la intemperie con una herramienta, utilice un cordón de extensión fabricado para uso en el exterior. Este tipo de cordón lleva las letras "WA" o "W" en el forro.

Antes de utilizar un cordón de extensión, inspecciónelo para ver si tiene conductores flojos o expuestos y aislamiento cortado o gastado.

\*\*Amperaje (aparece en la placa de datos de la herramienta)

0-2,0 2,1-3,4 3,5-5,0 5,1-7,0 7,1-12,0 12,1-16,0

Longitud del cordón	Calibre conductores (A.W.G.)					
	16	16	16	16	14	14
25'	16	16	16	16	14	14
50'	16	16	16	14	14	12
100'	16	16	14	12	10	—

\*\*Se usa en los circuitos de calibre 12, 20 amp.

**NOTA:** AWG = American Wire Gauge

### ADVERTENCIA:

Mantenga el cordón de extensión fuera del área de trabajo. Al trabajar con una herramienta eléctrica, coloque el cordón de tal manera que no pueda enredarse en la madera, herramientas ni en otras obstrucciones. La inobservancia de esta advertencia puede causar lesiones serias.

### ADVERTENCIA:

Inspeccione los cordones de extensión cada vez antes de usarlos. Si están dañados reemplácelos de inmediato. Nunca utilice la herramienta con un cordón dañado, ya que si toca la parte dañada puede producirse una descarga eléctrica, y las consecuentes lesiones serias.

## INTERRUPTOR DE CIRCUITO ACCIONADO POR FALLA DE CONEXIÓN A TIERRA

*Vea la figura 1, página 15.*

Esta unidad se equipa de un interruptor del circuito accionado por falla de conexión a tierra (GFCI), el cual protege contra los peligros de las corrientes desarrolladas al presentarse tal falla. Un ejemplo de una corriente debida a una falla de conexión a tierra es la que fluiría a través de una persona que está utilizando un aparato con aislamiento defectuoso, y al mismo tiempo está en contacto con una tierra eléctrica como una parte de la plomería, suelo húmedo o tierra.

Los plugs protegidos con GFCIs no protegen contra cortos circuitos, sobrecargas ni descargas eléctricas.

**NOTA:** The GFCI plug proficed will "open" each time that it is disonnected from the AC wall recepticle. Para asegurarse de que está listo para el uso, presione el botón de reajuste cada vez que conecte la herramienta al suministro de corriente.

Los plugs con GFCIs pueden probarse con los botones TEST [PRUEBA] y RESET [REAJUSTE].

### Para efectuar una prueba:

- Oprima el botón TEST. Esto debe hacer salir el botón Reset (Reajustar).
- Para restablecer la corriente, oprima el botón RESET.

Realice mensualmente esta prueba para asegurarse del buen funcionamiento del GFCI.

# ASPECTOS ELÉCTRICOS

## ADVERTENCIA:

No utilice la herramienta si el GFCI no está intacto. No cambie el cable para evitar el GFCI. Si el cable se daña, no utilice el producto, lleve el producto a un centro de servicio autorizado para su reparación. No seguir esta advertencia puede causar lesiones graves.

## POSICIONAR DEL SIERRA DE LOSAS

Vea la figura 2, página 15.

Para evitar que el tomacorriente o enchufe del accesorio se humedezcan, coloque la sierra de losas hacia un lado del tomacorriente que se encuentra en la pared, para que el agua no caiga sobre ésta o el enchufe. El usuario debería realizar

una “vuelta de goteo” en el cable que conecta la sierra al tomacorriente. La “vuelta de goteo” es la parte del cable por debajo del nivel del tomacorriente, o el conector si se utiliza un cable de extensión, que evita que el agua se deslice por el cable y entre en contacto con el tomacorriente.

Si el enchufe o el tomacorriente se humedecieren, no desenchufe el cable. Desconecte el fusible o el interruptor automático que suministra electricidad a la herramienta. Luego desenchúfela y revise si hay agua en el tomacorriente.

## ADVERTENCIA:

Para reducir el riesgo de electrocución, mantenga todas las conexiones secas y lejos del suelo. No toque el enchufe con las manos majadas.

# CARACTERÍSTICAS

## ESPECIFICACIONES DEL PRODUCTO

Diámetro de la meula (Incluidos) ..... 105 mm (4 pulg.)  
Diamètre de la meule (Capacidad Máximo) 111 mm (4-3/8 po)  
Árbol Disco de cortar ..... 16 mm (5/8 pulg.)  
Profundidad de corte a 0° ..... 29.3 mm (1-5/32 po)

Profundidad de corte a 45° ..... 19 mm (3/4 po)  
Velocidad sin Carga ..... 13 700/min (RPM)  
Tipo de meula ..... Muela diamantada de borde continuo  
Corriente de entrada ..... 120 V, sólo corr. alt., 60 Hz, 12 A

## FAMILIARÍCESE CON LA SIERRA DE LOSAS

Vea la figura 3, página 15.

Para usar este producto con la debida seguridad se debe comprender la información indicada en la herramienta misma y en este manual, y se debe comprender también el trabajo que intenta realizar. Antes de usar este producto, familiarícese con todas las características de funcionamiento y normas de seguridad del mismo.

## AJUSTE DE BISEL

La característica de ajuste de bisel le permite realizar cortes a bisel de hasta 45°.

## MUELA DIAMANTADA DE BORDE CONTINUO

La muela diamantada de borde continuo suministrada con esta sierra está diseñada para cortes en húmedo únicamente. El corte en seco es posible con el uso de un disco de corte opcional indicado como apto para el corte en seco (dicho disco no está incluido). Esta sierra de losas utiliza discos de corte de borde continuo de hasta 111 mm (4 3/8”).

## AJUSTE DE PROFUNDIDAD

Cambie la profundidad de corte de 0 mm a 29.3 mm (0 pulg. a 1-5/32 pulg.) con la característica de ajuste de profundidad.

## DISEÑO ERGONÓMICO

El diseño proporciona comodidad al utilizar la herramienta en posiciones diferentes y en ángulos distintos.

## CLAVIJA GFCI

La sierra de losas está equipada con una clavija GFCI como protección contra los riesgos de las redes eléctricas con fallas de conexión a tierra. Esta clavija no protege contra los cortocircuitos, las sobrecargas ni las descargas eléctricas.

## BOTÓN DEL SEGURO DE ENCENDIDO

El botón del seguro de encendido útil para uso continuo durante períodos de tiempo prolongados.

## JUEGO DE SUMINISTRO DE AGUA

Para cortes de losas en húmedo, instale el juego de suministro de agua y conéctelo al suministro de agua correspondiente.



# ARMADO

## DESEMPAQUETADO

Este producto requiere armarse.

- Extraiga cuidadosamente de la caja la producto y los accesorios. Asegúrese de que estén presentes todos los artículos enumerados en la lista de empaquetado.

### ADVERTENCIA:

Las piezas incluidas en esta sección de Armado no vienen ensambladas en el producto de fábrica y requieren la instalación por parte del cliente. El uso de un producto que pueda haber sido armado de manera incorrecta podría provocar lesiones personales graves.

- Si hay alguna pieza dañada o faltante, llame al 1-800-525-2579, donde le brindaremos asistencia. En México, llame al 01-800-843-1111.

### ADVERTENCIA:

Si hay piezas dañadas o faltantes, no utilice esta herramienta sin haber reemplazado las piezas dañadas o faltantes. Usar este producto con partes dañadas o faltantes puede causar lesiones serias al operador.

### ADVERTENCIA:

No intente modificar esta herramienta ni hacer accesorios no recomendados para la misma. Cualquier alteración o modificación constituye maltrato y puede causar una condición peligrosa, y como consecuencia posibles lesiones corporales graves.

### ADVERTENCIA:

No conecte la unidad al suministro de corriente sin haber terminado de armarla. De lo contrario la unidad puede ponerse en marcha accidentalmente, con el consiguiente riesgo de lesiones corporales serias.

## CONEXIÓN DEL JUEGO DE SUMINISTRO DE AGUA

Vea la figura 4, página 15.

El suministro de agua debe venir de la tubería principal de agua dulce. NUNCA abra al máximo el suministro de agua. La válvula de suministro de agua ofrece un práctico encendido/apagado palanca de control para abrir y cerrar el flujo de agua a la muela para cortar.

- Desconecte la sierra.
- Conecte el juego de suministro de agua a la sierra, como se muestra, utilizando el tornillo suministrado. Apriételo firmemente.

- Con el grifo completamente apagado, conecte el adaptador del grifo a una manguera de jardín o grifo exterior.
- Una vez instalada la muela para cortar, la sierra de losas está lista para usar.

**NOTA:** La herramienta está clasificada para una presión de agua máxima de 60 psi.

**NOTA:** Para cortes en seco, no es necesario instalar el juego de suministro de agua.

### ADVERTENCIA:

La máxima capacidad de diámetro de meula para cortar es 111 mm (4-3/8 pulg). También, nunca utilice una meula tan gruesa que no pueda acoplarse la arandela exterior disco de cortar en la parte plana del husillo. Las meulas más grandes tocan las protecciones de la meula, y las más gruesas impiden asegurarlas con el tornillo correspondiente en el husillo. Cualquiera de estas dos situaciones puede causar un accidente serio.

### ADVERTENCIA:

Asegúrese de usar únicamente muelas con velocidad en vacío nominal mínima inferior a la de esta herramienta. La inobservancia de esta advertencia podría causar posibles lesiones serias. Nunca utilice muelas que tengan orificios, muescas, o dientes con esta herramienta.

### WARNING:

No use muelas dentadas ni segmentadas. Use únicamente muelas diamantadas de borde continuo aptas para materiales de mampostería.

## INSTALACIÓN DE LA MUELA PARA CORTAR

Vea las figuras 5 y 6, página 16.

- Desconecte la sierra.
- Utilizando la llave de anillo hexagonal, sujete la arandela exterior disco de cortar para que no se mueva.
- Con la otra mano, use la llave en "T" hexagonal para retirar el tornillo disco de cortar girándolo hacia la derecha.
- Retire la arandela exterior disco de cortar.

### ADVERTENCIA:

Si el buje de brida interior ha sido retirado, vuelva a colocarlo antes de instalar la hoja en el husillo. De lo contrario puede impedirse el apriete correcto disco de cortar, con el consiguiente riesgo de lesiones serias.

# ARMADO

- Revise para ver si la flecha de la muela y la flecha de la sierra están apuntando en la misma dirección.
- Coloque el disco de corte dentro de la protección del disco entre las dos boquillas del suministro de agua y sobre el buje interior de la brida.
- Vuelva a colocar la arandela exterior disco de cortar.
- Sujete la arandela exterior disco de cortar firmemente utilizando la llave de anillo hexagonal.
- Alinee la arandela del disco de corte externo con el buje interior del disco de corte hasta que se encastre.
- Apriete firmemente el perno disco de cortar; para ello, gírelo hacia la derecha con la llave en "T" hexagonal.  
**NOTA:** Nunca utilice una muela tan gruesa que no permita que pueda acoplarse la arandela exterior disco de cortar en la parte plana del husillo.

# FUNCIONAMIENTO

## PELIGRO:

Mantenga las manos alejadas del área de corte y de la hoja. Mantenga su mano menos hábil sobre la manija auxiliar, o sobre el alojamiento del motor. Si sostiene la sierra con ambas manos, no existe posibilidad alguna de sufran cortes accidentales.

## ADVERTENCIA:

No permita que su familiarización con este producto lo vuelva descuidado. Tenga presente que un descuido de un instante es suficiente para causar una lesión grave.

## ADVERTENCIA:

Siempre póngase protección ocular con protección lateral con la marca de cumplimiento de la norma ANSI Z87.1. Si no cumple esta advertencia, los objetos que salen despedidos pueden producirle lesiones serias en los ojos.

## ADVERTENCIA:

Siempre desconecte la herramienta al cambiar los ajustes de funcionamiento o al tenerla desocupada. Si no se desconecta la herramienta puede ponerse en marcha accidentalmente, con el consiguiente riesgo de lesiones graves.

## **AVISO:**

Antes de cada uso, inspeccione todo el producto para detectar algún daño, piezas faltantes o flojas, como tornillos, arandelas del disco de corte, mangueras, accesorios, etc. Apriete con fuerza todos los tornillos, arandelas y accesorios, y no ponga en funcionamiento este producto hasta que todas las piezas faltantes o dañadas sean reemplazadas. Llame al 1-800-525-2579 o comuníquese con un centro de servicio autorizado para recibir asistencia

## USOS

Este producto puede emplearse para el fin enumerados abajo:

- Cortes transversales y al hilo, cortes a bisel y cortes en cavidad en húmedo o en seco de losas industriales, adoquines y losas de piedra natural'

## DISCO DE CORTAR

Incluso las mejores muelas para cortar no cortan eficientemente si están desafiladas o muy desgastadas. Si se utiliza una meula desafilada, se le impone una carga muy pesada a la sierra. Mantenga meulas extra a la mano, de manera que siempre haya meulas afiladas disponibles.

## PELIGRO:

Puesto que la hoja queda expuesta por la parte inferior de la pieza de trabajo, mantenga las manos y los dedos alejados del área de corte. Cualquier parte del cuerpo que toque la hoja en movimiento puede resultar lesionada seriamente.

## ENCENDIDO Y APAGADO DE LA SIERRA

Vea la figura 7, página 16.

**Para arrancar la sierra:** Oprima el gatillo del interruptor.

Siempre permita que la meula alcance su velocidad máxima, y después guíe la sierra introduciéndola en la pieza de trabajo.

**Para apagar la sierra:** Suelte el gatillo del interruptor.

Después de soltar el gatillo del interruptor permita que se detenga completamente la meula de corte. NO retire la sierra de la pieza de trabajo mientras continúe en movimiento la meula.

## BOTÓN DEL SEGURO DE ENCENDIDO

Vea la figura 7, página 16.

La sierra está equipado de un seguro de encendido, el cual es muy útil cuando se requiere para uso continuo durante períodos de tiempo prolongados.

**Para poner el seguro de encendido:**

# FUNCIONAMIENTO

- Oprima y sostener el gatillo del interruptor.
- Empuje hacia adentro y no deje salir el botón del seguro de encendido, el cual está situado en el costado del mango.
- Suelte el gatillo del interruptor.
- Suelte el botón del seguro de encendido.
- Para quitar el seguro, oprima el gatillo del interruptor y suéltelo.

## AJUSTE DE LA PROFUNDIDAD DISCO DE CORTAR

Vea la figura 8, página 16.

Siempre mantenga la meula a un ajuste de profundidad correcto. El ajuste de profundidad para todo tipo de cortes no debe sobrepasar 6,35 mm (1/4 pulg.) por abajo de la pieza de trabajo. Cuanto mayor es la profundidad de la meula mayor es la posibilidad de un contragolpe y de un corte áspero.

**Para ajustar la profundidad de la meula de corte:**

- Desconecte la sierra.

### ADVERTENCIA:

Si no se desconecta la herramienta puede ponerse en marcha accidentalmente, con el consiguiente riesgo de lesiones serias.

- Afloje la profundidad perilla de fijación girándola hacia la izquierda.
- Sujete la base horizontal contra la pieza de trabajo y suba o baje la sierra hasta alcanzar la profundidad de corte deseada.
- Apriete profundidad firmemente la perilla de fijación girándola hacia la derecha.

## UTILIZACIÓN DE LA SIERRA

Vea las figuras 9 y 10, página 16.

Es importante comprender la forma correcta de utilizar la sierra. Consulte las figuras de esta sección para ver las formas correctas e incorrectas de manejar la sierra.

### ADVERTENCIA:

Para efectuar los cortes de forma más fácil y más segura, siempre mantenga un control adecuado de la sierra. La pérdida de control podría causar un accidente, y como consecuencia posibles lesiones corporales serias.

### ADVERTENCIA

Al levantar la sierra de la pieza de trabajo, la meula queda expuesta en la parte inferior de la sierra.

**Para efectuar el mejor corte que sea posible, siga estas útiles sugerencias:**

- Sujete la sierra firmemente.
- Evite colocar la mano sobre la pieza de trabajo al efectuar un corte.
- Apoye la pieza de trabajo de manera que el corte le quede siempre a la derecha.

- Apoye la pieza de trabajo cerca del corte.
- Sujete firmemente la pieza de trabajo con prensas de manera que no se mueva durante el trabajo.
- Evite colocar la sierra en la parte de la pieza de trabajo que vaya a caer una vez terminado el corte.
- Coloque la pieza de trabajo con el lado “bueno” hacia abajo.
- Trace una línea guía a lo largo de la línea de corte antes de iniciar éste.
- Mantenga el cordón eléctrico alejado del área del corte. Siempre coloque el cordón de tal manera que le impida engancharse en la pieza de trabajo al efectuar un corte.
- Si desea realizar cortes en húmedo, abra el suministro de agua para iniciar el flujo de agua.

### PELIGRO:

Si el cordón se engancha en la pieza de trabajo durante un corte, suelte de inmediato el gatillo del interruptor y permita que se detenga completamente la meula de corte. Desconecte la sierra y cambie la posición del cordón para evitar que vuelva a engancharse.

### PELIGRO:

Si utiliza la sierra con el cordón dañado puede causarse lesiones serias e incluso la muerte. Si se daña el cordón, permita que lo repare un técnico antes de volver a utilizar la sierra.

## COUPES

Siempre dibuje la línea para ser cortada en el mosaico que utiliza un lápiz de marcador o grasa. Si la losa es brillante y duro a la marca, cinta adhesiva protectora de lugar en la losa y marca la cinta.

Un problema común al cortar losa se desvía de la línea marcada. Una vez que usted se ha desviado de la marca, usted no puede forzar la espalda de la rueda a la línea torciendo el losa. En vez de eso, atrás arriba y recut el mosaico que corta una pequeña cantidad de losa hasta que la rueda regrese en el vestigio.

Para evitar este problema, utilice la guía recta de bordes siempre que posible. Utilice la guía recta de bordes al hacer la corte transversal e cortes a inglete y el bloque de bisel para cortes biselados.

Si desea realizar cortes en húmedo, debe realizarlos en el exterior.

## PARA EFECTUAR CORTES TRANSVERSALES

Vea la figura 11, página 16.

Los cortes transversal son directamente 90° los cortes. La materia es alimentada en el corte en un 90° el ángulo a la rueda, y la rueda son verticales.

- Utilizar un lápiz de marcador o grasa, marca el área para ser cortada en la material.
- Asegure la pieza de trabajo.
- Si desea realizar cortes en húmedo, abra el suministro de agua para iniciar el flujo de agua.
- Oprima el gatillo del interruptor para arrancar la sierra.

# FUNCIONAMIENTO

- Deje que la muela para cortar adquiera velocidad y espere para la muela para mojar antes de mover la mesa de inglete para alimentar la muela a la pieza de trabajo.
- Cuando el corte esté listo, suelte el gatillo del interruptor. Espere a que la muela para cortar se detenga por completo antes de retirar la sierra del material.
- Detenga el flujo de agua.

## PARA EFECTUAR CORTES DIAGONALE

*Vea la figura 12, página 17.*

Los cortes diagonales también son llamados “cortes de punta a punta”.

- Utilizar un lápiz de marcador o grasa, marca el área para ser cortada en la material.
- Asegure la pieza de trabajo.
- Si desea realizar cortes en húmedo, abra el suministro de agua para iniciar el flujo de agua.
- Oprima el gatillo del interruptor para arrancar la sierra.
- Deje que la muela para cortar adquiera velocidad y espere para la muela para mojar antes de mover la mesa de inglete para alimentar la muela a la pieza de trabajo.
- Cuando el corte esté listo, suelte el gatillo del interruptor. Espere a que la muela para cortar se detenga por completo antes de retirar la sierra del material.
- Detenga el flujo de agua.

## PARA EFECTUAR CORTES A INGLETE

*Vea la figura 13, página 17.*

Los cortes a inglete se usan para cortar esquinas internans y externans de cerámica de base con la materia en cualquier ángulo a la rueda de otra manera que 90°. Los cortes a inglete tienden a “arrastrar” durante cortar. Esto puede controlarse sosteniendo firmemente la pieza de trabajo contra una guía para cantos recta.

- Utilizar un lápiz de marcador o grasa, marca el área para ser cortada en la material.
- Asegure la pieza de trabajo.
- Si desea realizar cortes en húmedo, abra el suministro de agua para iniciar el flujo de agua.
- Oprima el gatillo del interruptor para arrancar la sierra.
- Deje que la muela para cortar adquiera velocidad y espere para la muela para mojar antes de mover la mesa de inglete para alimentar la muela a la pieza de trabajo.
- Cuando el corte esté listo, suelte el gatillo del interruptor. Espere a que la muela para cortar se detenga por completo antes de retirar la sierra del material.
- Detenga el flujo de agua.

## PARA EFECTUAR CORTES EN L

*Vea la figura 14, página 17.*

Una corte en L es una sección que se saca de la material y se una al cortar la material que entrará en un rincón de un mueble o pieza de moldura y son hechos por dos cortes separados.

**NOTA:** Sólo overcut en el fondo o debajo del lado de la materia para ser cortado.

- Utilizar un lápiz de marcador o grasa, marca el área para ser cortada en la material.
- Asegure la pieza de trabajo.
- Si desea realizar cortes en húmedo, abra el suministro de agua para iniciar el flujo de agua.
- Oprima el gatillo del interruptor para arrancar la sierra.
- Deje que la muela para cortar adquiera velocidad y espere para la muela para mojar antes de mover la mesa de inglete para alimentar la muela a la pieza de trabajo.
- Haga el corte suficiente distante en la materia sin haga lo mismo.
- Suelte el gatillo del interruptor. Espere a que la muela para cortar se detenga por completo antes de retirar la sierra del material.
- Gire la materia sobre y haga el corte por uno de las marcas. Este haga lo mismo del tiempo que la otra línea y el piezo del corte deben separar del resto de la materia.
- Oprima el gatillo del interruptor.
- Deje que la muela para cortar adquiera velocidad y espere para la muela para mojar antes de mover la mesa de inglete para alimentar la muela a la pieza de trabajo.
- Cuando el corte esté listo, suelte el gatillo del interruptor. Espere a que la muela para cortar se detenga por completo antes de retirar la sierra del material.
- Detenga el flujo de agua.

## PARA EFECTUAR CORTES EN BISEL

*Vea la figura 15, página 17.*

Si se ajusta la posición del cabezal del motor se pueden realizar cortes biselados de 45°.

- Utilizar un lápiz de marcador o grasa, marca el área para ser cortada en la material.
- Asegure la pieza de trabajo.
- Afloje la perilla de fijación de bisel en la parte delantera de la sierra.
- Rote la base hasta que alcance el ángulo deseado en la escala de biseles.
- Apriete firmemente la perilla de fijación de bisel.
- Si desea realizar cortes en húmedo, abra el suministro de agua para iniciar el flujo de agua.
- Oprima el gatillo del interruptor para arrancar la sierra.
- Deje que la muela para cortar adquiera velocidad y espere para la muela para mojar antes de mover la mesa de inglete para alimentar la muela a la pieza de trabajo.
- Cuando el corte esté listo, suelte el gatillo del interruptor. Espere a que la muela para cortar se detenga por completo antes de retirar la sierra del material.
- Detenga el flujo de agua.

# MANTENIMIENTO

## ADVERTENCIA:

Al dar servicio a la unidad, sólo utilice piezas de repuesto idénticas. El empleo de piezas diferentes puede presentar un peligro o causar daños al producto.

## ADVERTENCIA:

Siempre póngase protección ocular con protección lateral con la marca de cumplimiento de la norma ANSI Z87.1. Si no cumple esta advertencia, los objetos que salen despedidos pueden producirle lesiones serias en los ojos.

## MANTENIMIENTO GENERAL

Evite el empleo de solventes al limpiar piezas de plástico. La mayoría de los plásticos son susceptibles a diferentes tipos de solventes comerciales y pueden resultar dañados. Utilice paños limpios para eliminar la suciedad, el polvo, el aceite, la grasa, etc.

## ADVERTENCIA:

No permita en ningún momento que fluidos para frenos, gasolina, productos a base de petróleo, aceites penetrantes, etc., lleguen a tocar las piezas de plástico. Las sustancias químicas pueden dañar, debilitar o destruir el plástico, lo cual a su vez puede producir lesiones corporales serias.

Las herramientas eléctricas que se utilizan en materiales de fibra de vidrio, paneles de yeso para paredes, compuestos de resina o yeso, están sujetas a desgaste acelerado y posible fallo prematuro porque las partículas y limaduras de fibra de vidrio son altamente abrasivas para los cojinetes, escobillas, conmutadores, etc. Por consiguiente, no recomendamos el uso de esta herramienta durante períodos prolongados de trabajo en estos tipos de materiales. Sin embargo, si usted trabaja con cualquiera de estos materiales, es sumamente importante limpiar la herramienta con aire comprimido.

## LUBRICACIÓN

Todos los cojinetes de este producto están lubricados con suficiente cantidad de aceite de alta calidad para toda la vida útil de la unidad en condiciones normales de funcionamiento. Por lo tanto, no se necesita lubricación adicional.

## REEMPLAZO DEL CORDÓN DE CORRIENTE

Un centro de servicio autorizado deben cambiar el cordón de corriente, en caso de que sea necesario, para evitar peligros.

## REEMPLAZO DE LAS ESCOBILLAS

Veá la figura 16, página 17.

**NOTA:** Esta sierra está equipada con dos escobillas accesibles ubicadas externamente a ambos lados del alojamiento de la sierra.

- Desconecte la sierra.

## ADVERTENCIA:

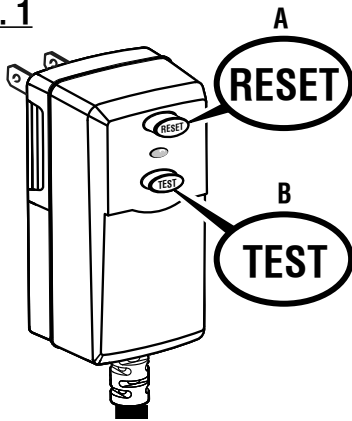
Si no se desconecta la herramienta puede ponerse en marcha accidentalmente, con el consiguiente riesgo de lesiones serias.

- Retire las tapas de las escobillas con un destornillador.
- Retire los conjuntos de las escobillas.
- Efectúe una inspección para ver si hay desgaste. Reemplace ambos conjuntos de las escobillas cuando uno u otro tenga menos de 6,4 mm (1/4 pulg.) de carbón restante.  
**NOTA:** No reemplace un solo lado sin reemplazar el otro.
- Vuelva a armar la unidad empleando conjuntos de escobillas nuevos. Asegúrese de que la curvatura de la escobillas corresponda a la del motor y de que las escobillas se muevan libremente en los tubos de las mismas.
- Vuelva a armar la unidad; para ello, siga en sentido inverso los pasos enumerados arriba.
- Apriete firmemente la tapas de las dos escobillas. No aplique un apriete excesivo.

## MANTENIMIENTO DE LA MUELA

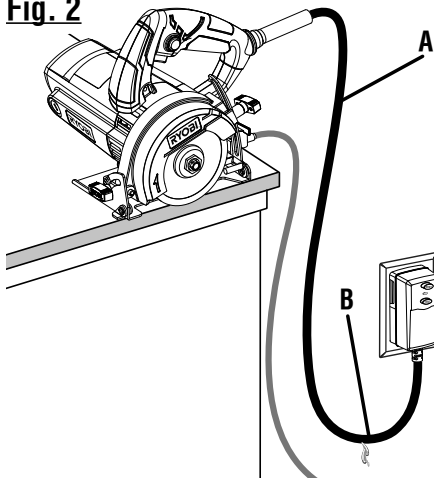
Si la capacidad de corte de la muela se deteriora o se reduce, la muela puede necesitar un nuevo afilado. Cortar un adoquín afilará nuevamente la muela y mejorará la capacidad de corte de la muela.

**Fig. 1**



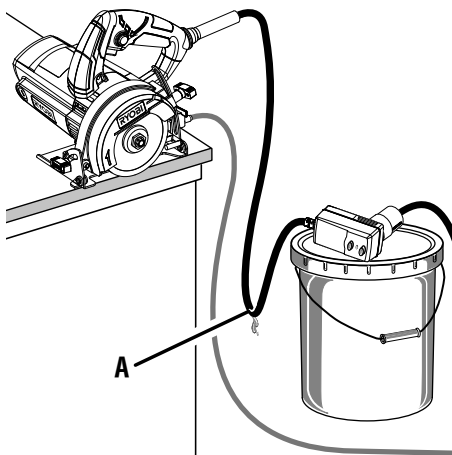
- A - Reset button (bouton de réinitialisation, botón de reajuste)
- B - Test button (bouton de test, botón de prueba)

**Fig. 2**



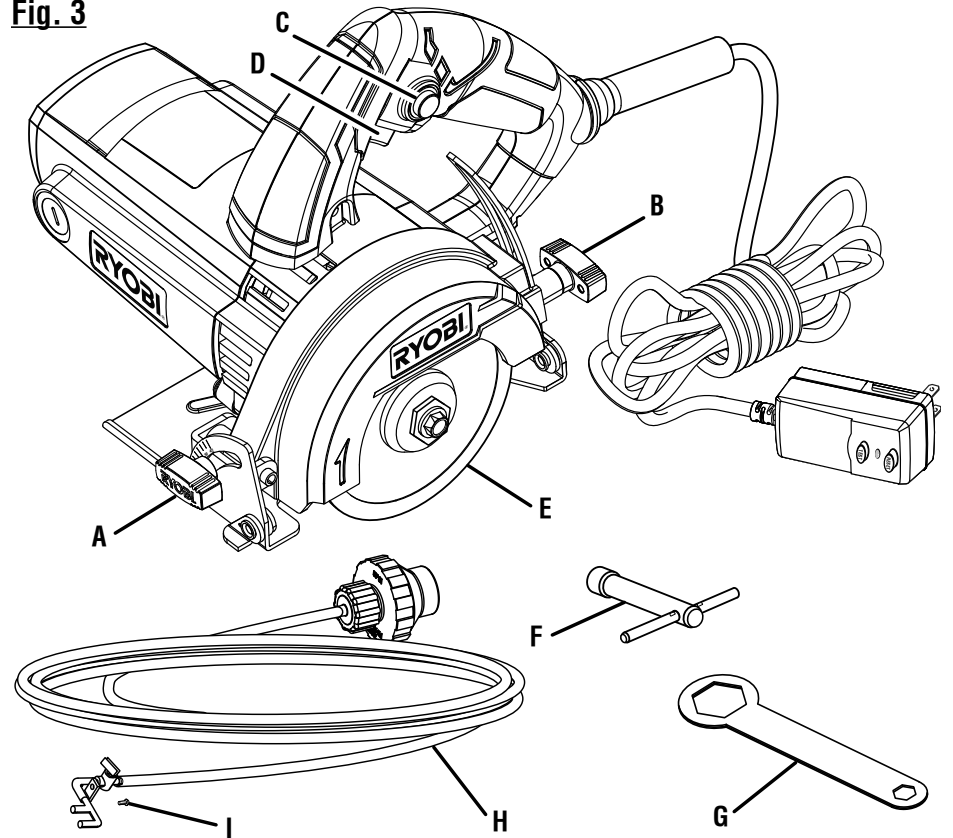
- A - Power cord (cordon d'alimentation, cordón de corriente)
- B - Drip loop (boucle d'égouttement, vuelta de goteo)

**PROPER POSITION WHEN USING EXTENSION CORDS (DISPOSER ADÉQUAT EMENT LES CORDONS PROLONGATEURS AU MOMENT DE LES UTILISER, POSICIÓN CORRECTA AL UTILIZAR CORDONES DE EXTENSIÓN)**



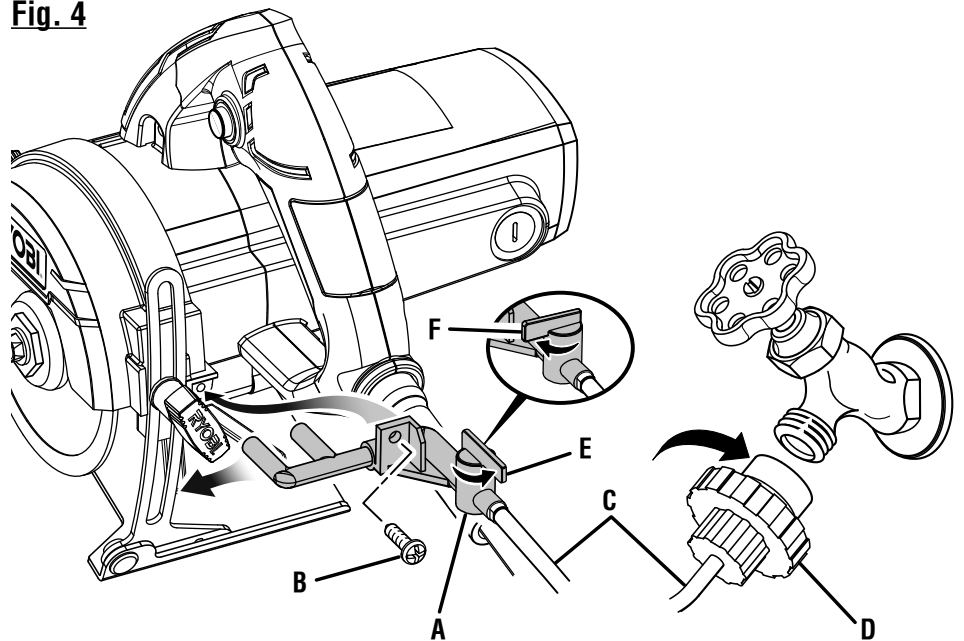
- A - Drip loop (boucle d'égouttement, vuelta de goteo)

**Fig. 3**



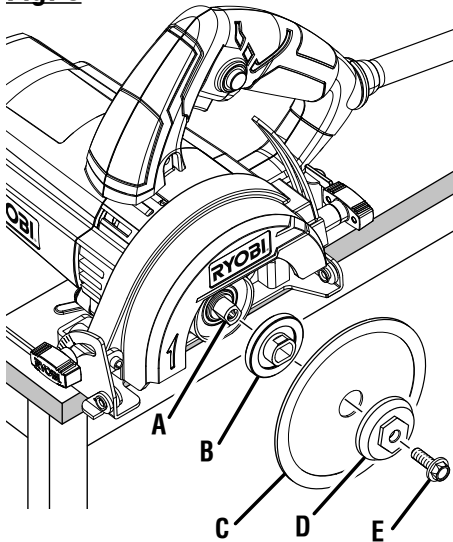
- A - Bevel lock knob (bouton de verrouillage biseau, perilla de fijación de bisel)
- B - Depth lock knob (bouton de verrouillage profondeur, perilla de fijación profundidad)
- C - Lock-on button (bouton de blocage, boton de bloqueo en marcha)
- D - Switch trigger (gâchette, gatillo del interruptor)
- E - Cutting wheel (meule de coupe, disco de cortar)
- F - Hex "T" wrench (clé hexagonale à manche en T, llave en "T" hexagonal)
- G - Hex box wrench (clé hexagonale fermée, llave de anillo hexagonal)
- H - Water supply kit (ensemble alimentation en eau, juego de suministro de agua)
- I - Screw (vis, tornillo)

**Fig. 4**



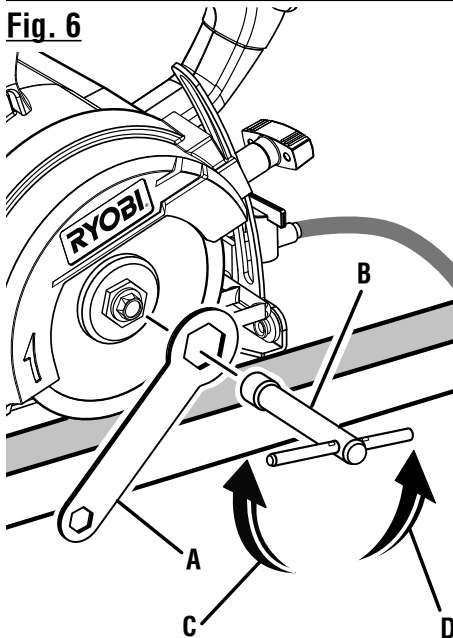
- A - Water supply valve (arroser la soupape de provision, válvula de suministro de agua)
- B - Screw (vis, tornillo)
- C - Water hose (boyau d'arrosage, manguera de agua)
- D - Faucet adaptor (adaptateur pour robinet, adaptador para grifo)
- E - Open position (position ouvert, posición abierto)
- F - Closed position (position fermé, posición cerrado)

**Fig. 5**



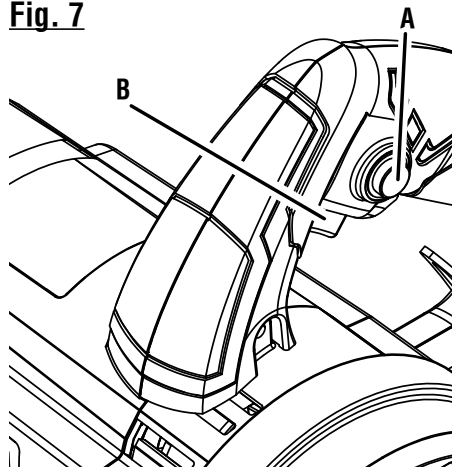
- A - Spindle (broche, husillo)
- B - Inner flange bushing (douille à collette intérieure, buje de brida interior)
- C - Wheel (meule, meula)
- D - Outer cutting wheel washer (rondelle meule de coupe extérieure, arandela disco de cortar)
- E - Cutting wheel screw (vis meule de coupe, perno disco de cortar)

**Fig. 6**



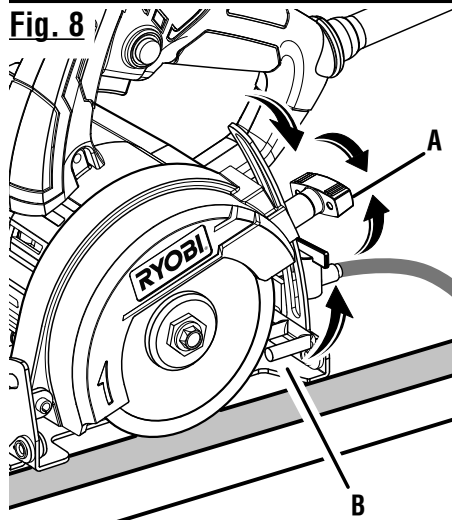
- A - Hex box wrench (clé hexagonale fermée, llave de anillo hexagonal)
- B - Hex "T" wrench (clé hexagonale à manche en T, llave en "T" hexagonal)
- C - To loosen (pour desserrer, para aflojar)
- D - To tighten (pour serrer, para apretar)

**Fig. 7**



- A - Lock-on button (bouton de blocage, boton de bloqueo en marcha)
- B - Switch trigger (gâchette, gatillo del interruptor)

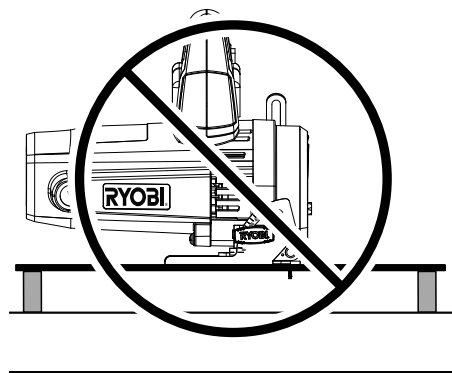
**Fig. 8**



- A - Depth lock knob (bouton de verrouillage profond, perilla de fijación profundidad)
- B - Base (base, base)

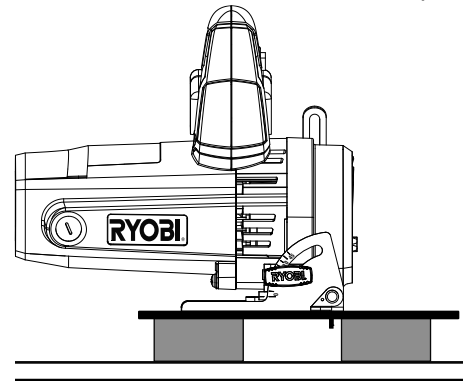
**Fig. 9**

**INCORRECT METHOD OF SUPPORT  
(MÉTHODE DE SUPPORT INCORRECTE,  
MÉTODO DE SOPORTE INCORRECTO)**



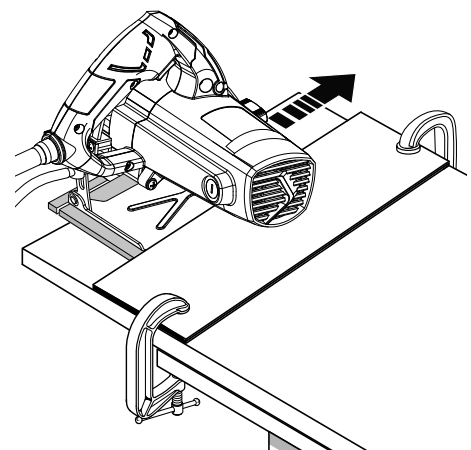
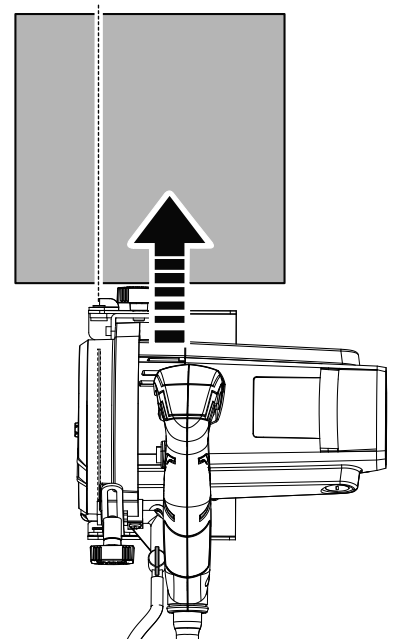
**Fig. 10**

**CORRECT METHOD OF SUPPORT  
(MÉTHODE DE SUPPORT CORRECTE,  
MÉTODO DE SOPORTE CORRECTO)**

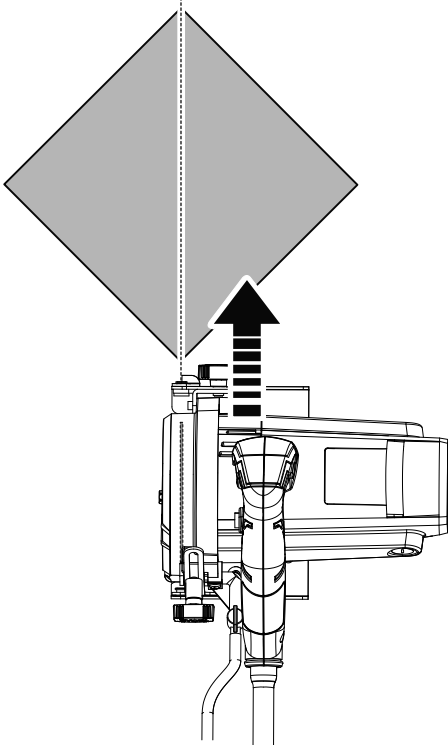


**Fig. 11**

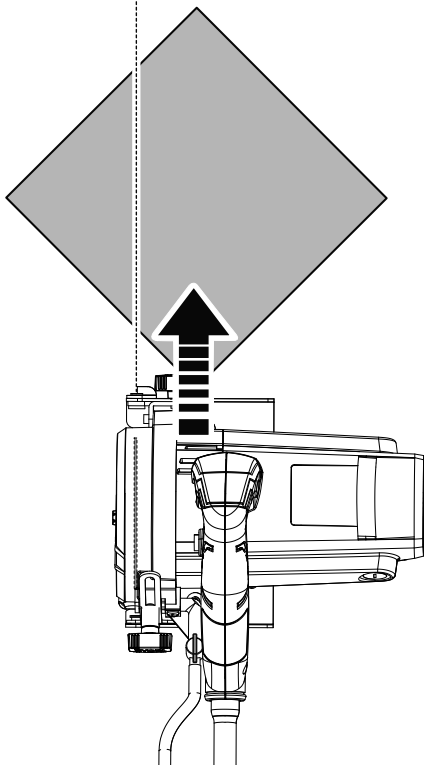
**CROSS CUT  
(COUPE TRANSVERSALE,  
CORTES TRANSVERSALES)**



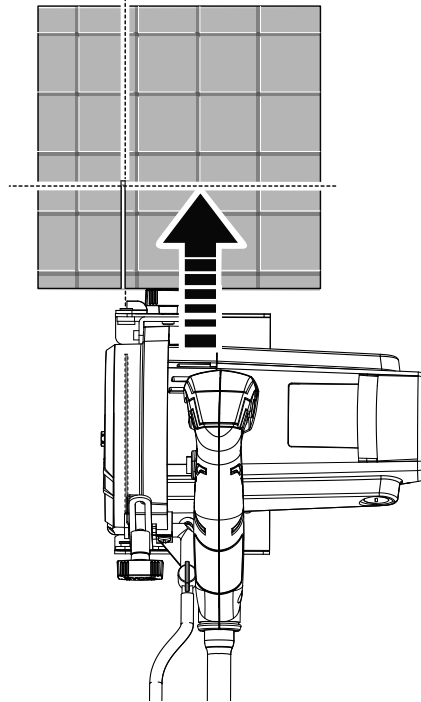
**Fig. 12** **DIAGONAL CUT**  
(COUPE EN DIAGONALE,  
CORTE DIAGONALE)



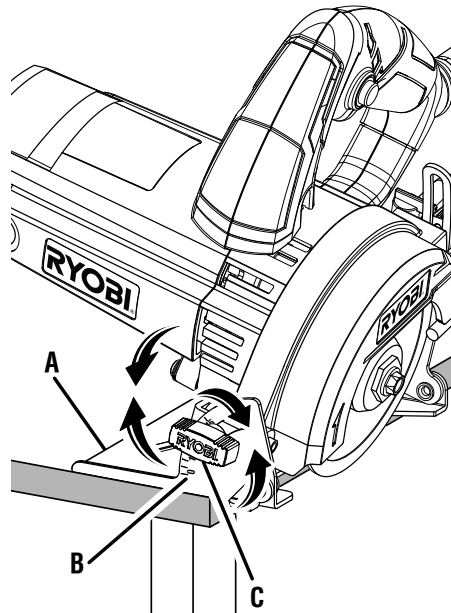
**Fig. 13** **MITER CUT**  
(COUPE D'ONGLET,  
CORTE A INGLETE)



**Fig. 14** **L-CUT**  
(L COUPE, CORTE L)

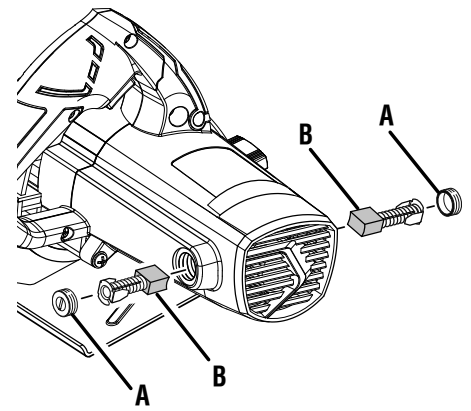


**Fig. 15** **BEVEL CUT**  
(COUPE EN BISEAU,  
CORTE EN BISEL)



- A - Base (base, base)
- B - Bevel scale (échelle de biseau, escala de biseles)
- C - Bevel lock knob (bouton de verrouillage de biseau, perilla de bloqueo de biseles)

**Fig. 16**



- A - Brush cap (couvercle de balai, tapa de escobilla)
- B - Brush assembly (balai, conj. de la escobilla)











**OPERATOR'S MANUAL / 4 in. WET/DRY TILE SAW**  
**MANUEL D'UTILISATION/TC401 SCIE À CARREAUX À SEC/SOUS EAU DE**  
**105 mm (4 po)**  
**MANUAL DEL OPERADOR/TC401 SIERRA DE LOSAS PARA TRABAJOS EN**  
**HÚMEDO/SECO DE 105 mm (4 pulg.)**

**TC401/TC4011**

To request service, purchase replacement parts,  
locate an Authorized Service Center or obtain Customer or Technical Support:  
Visit **www.ryobitools.com** or call **1-800-525-2579**

If any parts or accessories are damaged or missing, do not return this product to the store.  
Call **1-800-525-2579** for immediate service.

Please obtain your model and serial number from the product data plate.  
**This product is covered under a 3-year limited Warranty. Proof of purchase is required.**

MODEL NUMBER\* \_\_\_\_\_ SERIAL NUMBER \_\_\_\_\_

*\*Model number on product may have additional letters at the end. These letters designate manufacturing information and should be provided when calling for service.*

RYOBI is a trademark of Ryobi Limited and is used pursuant to a license granted by Ryobi Limited.

Pour faire une demande de réparations ou obtenir des pièces de rechange, trouver un  
Centre de réparations agréé pour obtenir un soutien technique ou le Service à la clientèle :  
Visiter **www.ryobitools.com** ou en téléphonant au **1-800-525-2579**

Si des pièces ou accessoires sont manquantes ou endommagées, ne pas retourner  
ce produit au magasin. Appeler immédiatement au **1-800-525-2579** pour obtenir de l'aide.

Inscrire les numéros de modèle et de série inscrits sur la plaque d'identification du produit.  
**Ce produit est couvert par une garantie limitée de trois (3) ans. Une preuve d'achat est exigée.**

NUMÉRO DE MODÈLE\* \_\_\_\_\_ NUMÉRO DE SÉRIE \_\_\_\_\_

*\*Le numéro de modèle sur le produit peut contenir des lettres supplémentaires à la fin. Ces lettres désignent les informations du fabricant et doivent être fournies lors d'un appel de demande de service.*

RYOBI est une marque de Ryobi Limited et est utilisée en vertu d'une licence accordée par Ryobi Limited.

Para obtener servicio, comprar piezas de repuesto, localizar un centro de servicio autorizado  
y obtener Servicio o Asistencia Técnica al Consumidor:

Visite **www.ryobitools.com** (en la EE.UU.) o **www.ryobitools.mx** (en México)  
o llame al **1-800-525-2579** (en la EE.UU.) o **800-843-1111** (en México).

Si hay alguna pieza o accesorios dañada o faltante, no devuelva este producto a la tienda.  
Llame al **1-800-525-2579** (en la EE.UU.) o **800-843-1111** (en México) para servicio técnico inmediato.

Obtenga su modelo y número de serie de la placa de datos del producto.  
**Este producto está cubierto con una garantía limitada de 3 años. Se solicita prueba de la compra.**

NÚMERO DE MODELO\* \_\_\_\_\_ NÚMERO DE SERIE \_\_\_\_\_

*\*El número de modelo que figura en el producto podría tener letras adicionales al final. Estas designan información de fabricación y deben suministrarse cuando llame para obtener asistencia o servicio.*

RYOBI es una marca de Ryobi Limited y se utiliza conforme a una licencia otorgada por Ryobi Limited.

**ONE WORLD TECHNOLOGIES, INC.**

P.O. Box 1288, Anderson, SC 29622 • Phone 1-800-525-2579  
États-Unis, Téléphone 1-800-525-2579 • USA, Teléfono 1-800-525-2579

**www.ryobitools.com**