

**RYOBI
SDS+ HAMMER DRILL
DOUBLE INSULATED
MODEL NO. SDS65
REPAIR SHEET**

RYOBI SDS+ HAMMER DRILL - MODEL NUMBER SDS65

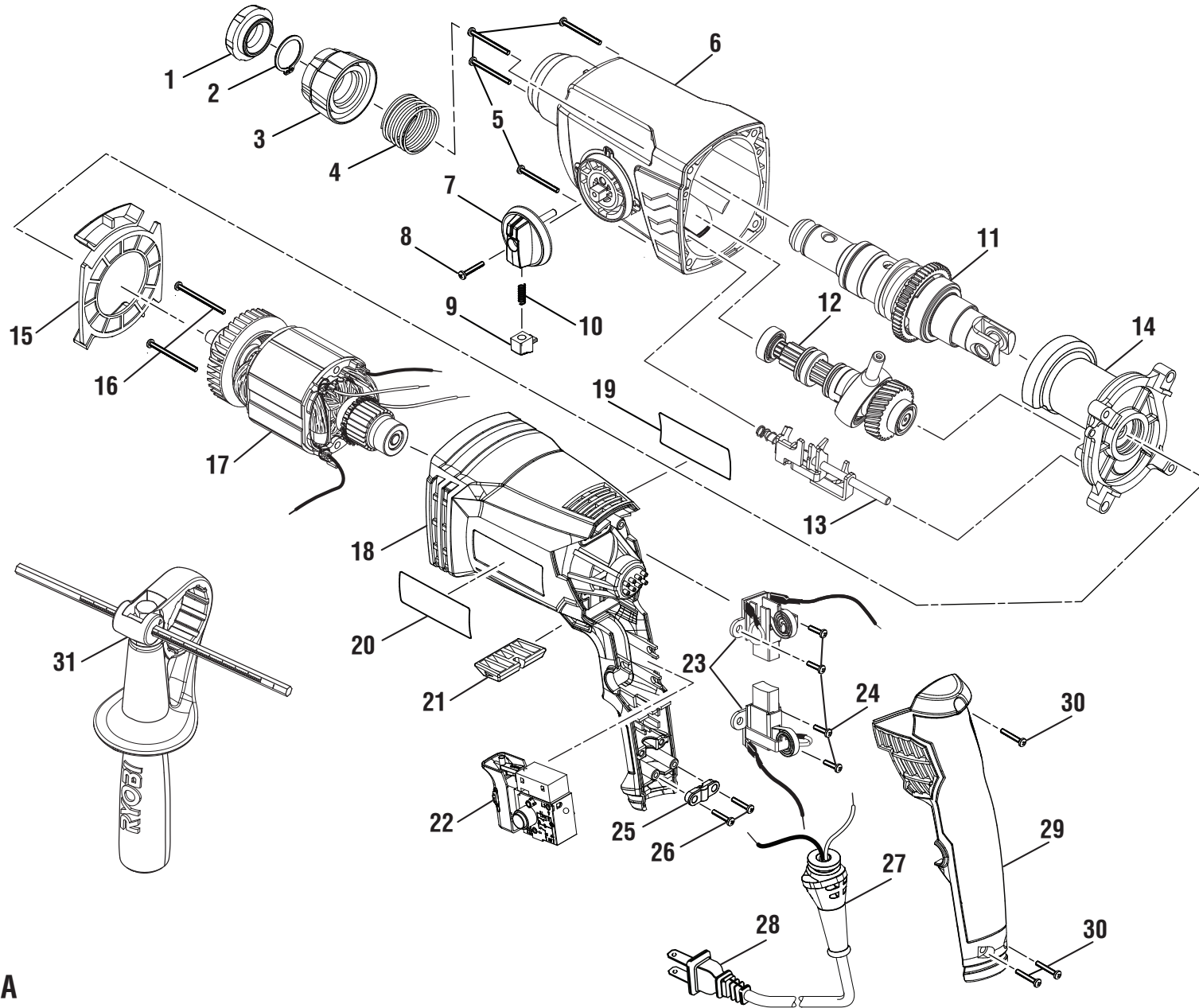


FIGURE A

WARNING: Improper repair of a double insulated tool can result in damage to the double insulation system possibly causing electrical shock or electrocution. Any repairs requiring disassembly of your tool requires safety testing and should only be performed by a Ryobi Authorized Service Center. For the service center nearest you call 1-800-525-2579.

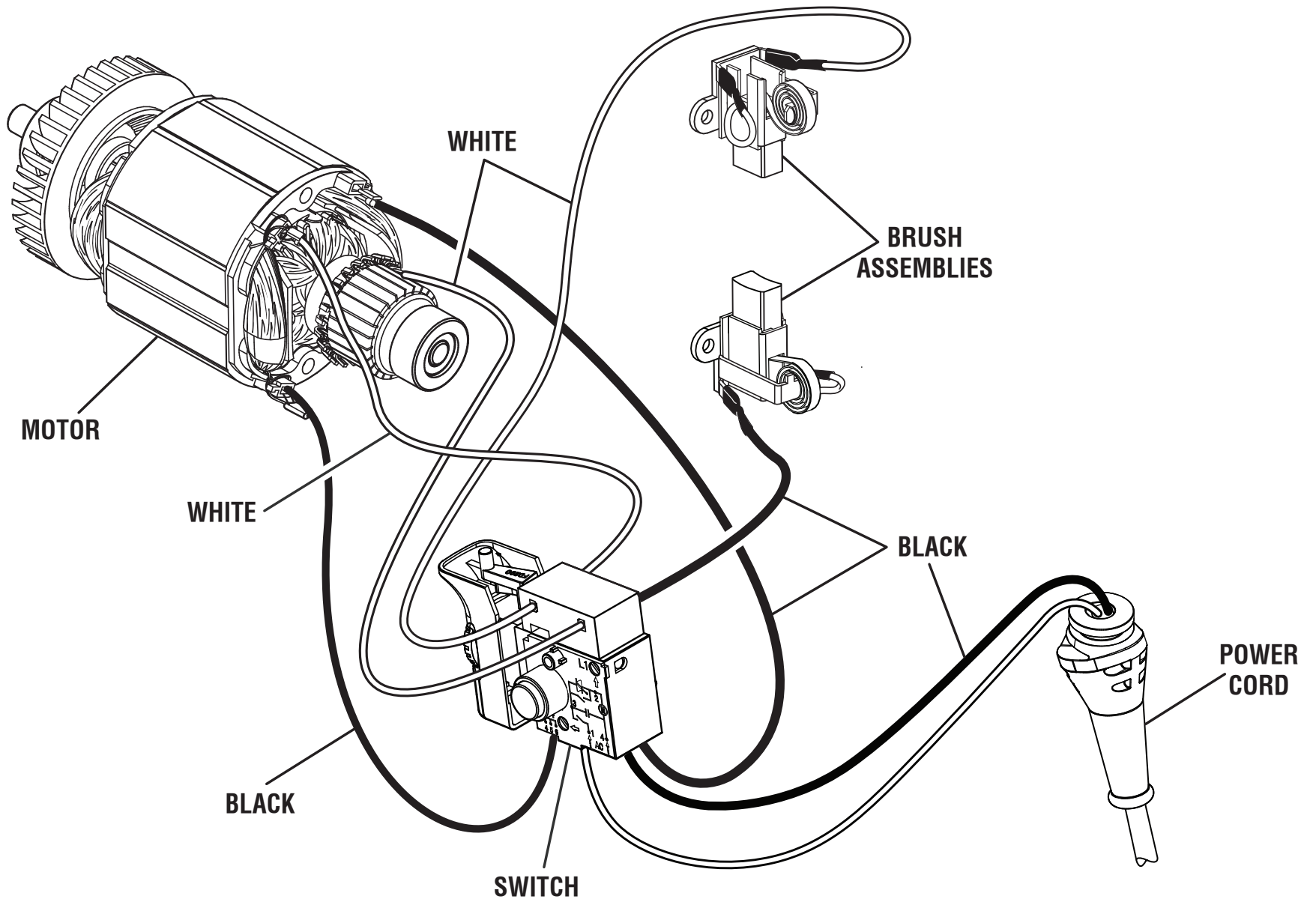
RYOBI SDS+ HAMMER DRILL – MODEL NUMBER SDS65

The model number will be found on a label attached to the housing. Always mention the model number in all correspondence regarding your **HAMMER DRILL** or when ordering replacement parts.

PARTS LIST (FIGURE A)

KEY NO.	PART NUMBER	DESCRIPTION	QTY	KEY NO.	PART NUMBER	DESCRIPTION	QTY
1	039835001001	Chuck Cap	1	18	039835001079	Motor Housing	1
2	039835001002	Retaining Ring.....	1	19	941121731	Data Label.....	1
3	039835001003	Chuck Sleeve.....	1	20	941002197	Logo Label	1
4	039835001004	Compression Spring	1	21	039835001080	Forward/Reverse Selector	1
5	039835001007	Screw (M4.2 x 50 mm, Pan Hd.).....	4	22	039835001081	Switch	1
6	039835001005	Gear Box Housing Assembly	1	23	039835001074	Brush Assembly	1
7	039835001013	Knob (Mode Selector)	1	24	039835001077	Screw (M2.9 x 10 mm, Pan Hd.).....	4
8	039835001016	Screw (M4.2 x 14 mm, Pan Hd.).....	1	25	039835001082	Cord Clamp.....	1
9	039835001015	Lock Button (Knob Position).....	1	26	039835001083	Screw (M4.2 x 12 mm, Pan Hd.).....	2
10	039835001014	Compression Spring	1	27	039835001086	Bend Relief.....	1
11	039835001017	Spindle Assembly	1	28	039835001087	Power Cord.....	1
12	039835001040	Drill Clutch.....	1	29	039835001085	Motor Housing Cover.....	1
13	039835001054	Mode Selector Assembly.....	1	30	039835001084	Screw (M4.2 x 16 mm, Pan Hd.).....	3
14	039835001061	Middle Cover Assembly	1	31	039835001088	Auxiliary Handle Assembly.....	1
15	039835001071	Baffle.....	1		Not Shown		
16	039835001072	Screw (M4.2 x 65 mm, Pan Hd.).....	2		991000416	Operator's Manual	
17	039835001066	Motor Assembly.....	1		4-16-19		
					(Rev:02)		

RYOBI SDS+ HAMMER DRILL - MODEL NUMBER SDS65



WIRING DIAGRAM