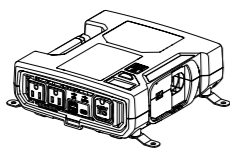


RYOBI OPERATOR'S MANUAL

**ONE+ 18V 800W
AUTO POWER
INVERTER
RYI8030A**



IMPORTANT SAFETY INSTRUCTIONS

WARNING!
READ AND UNDERSTAND ALL INSTRUCTIONS. Failure to follow all instructions listed below may result in electric shock, fire, and/or serious injury.

SAVE THESE INSTRUCTIONS - This manual contains important safety and operating instructions for inverter model RYI8030A.

NOTICE:
This product's AC receptacle has a non-sinusoidal output and is not recommended for use with certain types of sensitive electronics. Please refer to your product's operator's manual.

- Do not expose to rain or use in damp locations.
- To reduce the risk of injury, close supervision is necessary when an appliance is used near children.
- Store inverters indoors and away from children.
- As with all electrical devices, use caution when plugging and unplugging this unit into an outlet or plugging/unplugging other devices into this unit. Do not force this unit into an outlet. Do not force plugs into this unit.
- To reduce the risk of damage to electric plug and cord, pull by plug rather than cord when disconnecting inverter.
- Do not use inverter if it has been dropped or received a sharp blow. A damaged inverter will increase the risk of fire.
- If this unit is used in a manner not specified by the manufacturer, the protection provided by this equipment may be impaired.
- Do not overload the tool. It must be used for powering devices less than the product rating.
- Operate this product using only the AC power type listed in the product specifications.
- Two- or three-prong plugs may be used with this product. Do not force a polarized plug (one prong larger than the other) into this product. Flip plug over and retry.
- Never block air vents. Blocked vents may cause overheating. Inverter will automatically shut off when overheated.
- Keep inverter cool. Do not place near vehicle heat vents or in direct sunlight.
- Do not store appliance in locations where the temperature is less than 14° F or more than 104° F. Do not store outside or in vehicles.
- Do not use appliance in locations where the temperature is less than 14° F or more than 104° F.
- Use this product only with batteries and chargers listed in tool/appliance/battery pack/charger correlation supplement 987000-432.
- Use only with power cord provided.
- Disconnect inverter from power supply when not in use.
- Do not use the inverter around flammable fumes and gasses, such as in the bilge of a boat or near propane tanks.
- Do not use in an enclosed area with automotive lead acid batteries.
- Do not put foreign objects into the inverter.
- Refer to the operator's manual for the vehicle or contact the vehicle manufacturer for the proper 12V power receptacle.

WARNING:
To reduce the risk of fire, do not connect to an AC load center (circuit breaker panel) having multiwire branch circuits connected.

- Do not power life support devices, or other necessary medical equipment with this tool.
- This unit should never be hard wired into a circuit.
- This unit should never be wired into a AC distribution circuit.
- Do not attempt to set up, make adjustments or power devices while operating a vehicle.
- Save these instructions. Refer to them frequently and use them to instruct others who may use this product. If you loan someone this product, loan them these instructions also.

IMPORTANT SAFETY INSTRUCTIONS

WARNING:
Risk of Fire. Do not replace any vehicle fuse with a rating higher than recommended by the vehicle manufacturer. This product is rated to draw 12 amperes from 13.8V vehicle outlets. Ensure that the electrical system in your vehicle can supply this product without causing the vehicle fusing to open. This can be determined by making sure the fuse in the vehicle which protects the outlet is rated higher than 12 amperes. Information on the vehicle fuse ratings are typically found in the vehicle operator's manual. If a vehicle fuse opens repeatedly, do not keep replacing it. The cause of the overload must be found. Fuses should not be patched up with tin foil or wire as this may cause serious damage elsewhere in the electrical circuit or cause fire.

PRODUCT SPECIFICATIONS

Watts	Continuous 800 Watts
Running Watt Output.....	120 to 800 Watts
12V DC Adaptor Connection	120 Watts
18V Battery Connection.....	300 Watts
Direct to Battery Connection (Alligator Clamps).....	800 Watts
DC Input	12 Volt DC
AC Output	120 Volts, 120W max. (12V DC plug); 300W max. (18V battery); 650W (30 min)/600W max. continuous (12V battery terminal)
USB-A Output	5V(2.4A) Shared
USB-C PD Output	5V(3A), 9V(2A), 12V(1.5A), 15V(1.5A), 20V(1A) DC
Output Wave Form	Modified Sine Wave

PACKING LIST

RYI8030 Inverter, Alligator Clamps, 12V DC Adaptor Cable, Mounting Brackets, Operator's Manual

OPERATION

APPLICATIONS

You may use this product for the following purposes:

- Operating and charging USB-powered devices
- Supplying electrical power for operating compatible electrical devices such as, but not limited to, lighting, appliances, tools, motor load, small load switch mode power supply, and fans

The power inverter converts low voltage DC electricity to 120V AC household power allowing user to charge and power a variety of devices.

WARNING:
Risk of electric shock. When using a grounded appliance this tool will not provide an electrical path to earth ground. Do not power devices with damaged or frayed power cords.

NOTICE:
Do not power this device with an outlet designated for lighting cigarettes. If the 12V adaptor does not fit firmly into the auxiliary power port, the receptacle is not suitable for use with the inverter. A poor connection at the base of the 12V adaptor could lead to electrical problems in the vehicle outside of the protections offered by the vehicle or inverter's fuse.

INSTALLING THE MOUNTING BRACKETS

See Figure 1.
The mounting brackets can be installed to provide a stable base for the inverter. The unit can be used horizontally or mounted vertically.

- Insert tabs into slot.
- Rotate 90 degrees.

CONNECTING TO AN 18V BATTERY

See Figure 2.
To install: With the power inverter off, place the battery in the installer as shown. Make sure the battery pack is secured on the inverter before beginning operation.

- To remove: Lift off the battery pack.

CONNECTING TO A 12V AUTO ACCESSORY OUTLET

See Figure 3.
Using your vehicle's 12V DC receptacle, the inverter will provide power through the 120V AC outlets and/or USB ports.

NOTE: Some vehicles require the ignition to be turned on before power is supplied to an accessory outlet.

- With power inverter turned off, insert the connector cord plug into the receptacle on the side of the inverter.
- Plug the 12V DC plug into the 12V DC power port.

OPERATION

USING ALLIGATOR CLAMPS TO CONNECT TO 12V BATTERY

See Figure 4.
A set of alligator clamps is included with the inverter, one for the black lead, and another for the red lead. When you want the inverter to remain connected to the battery, but want to keep your hands free for other operations, the alligator clamps will hold the leads in place.

NOTE: The inverter is compatible with 12V lead-acid, lithium-ion, and deep-cycle gel batteries. The inverter will shut off automatically at 10.5V as part of under voltage protection.

To use the clamps:

- Make sure the inverter is turned off.
 - Connect the red cable to the positive (+) terminal first, then connect the black cable to the negative (-) terminal. Make sure all connections are tight.
 - Connect the cables to the battery using the alligator clamps.
- NOTE:** Do not allow the inverter to hang by its leads when the clamps are connected to the battery.

CAUTION:
To avoid damaging the inverter or blowing the fuses, always remove the test leads from the battery.

USING THE POWER INVERTER

See Figures 5 - 6.

- Press and hold the power button for three seconds to turn the inverter ON. The LED will light up green when ready to use.
 - Plug devices you want to power or charge into the inverter's USB ports and/or 120 volt receptacle.
 - If the power button LED blinks red then turns off, the inverter may be overloaded. Disconnect your device, make sure your battery pack is sufficiently charged to power your device, then press the button to turn the inverter back on. Reconnect your device and try again. If the fault condition immediately reoccurs, the item being powered exceeds the capacity of the inverter.
 - If the power button LED turns red but does not shut down the inverter, the inverter is overheated. Allow the unit to cool until the LED turns green, then try again.
 - If the power button LED flashes yellow, the battery pack needs to be recharged.
 - Tap the power button one time to toggle between **output power** (watts) and **input power** (volts) on the digital display.
 - To use the worklight, press the light button. Press the light button again to turn the worklight off.
- NOTE:** The inverter must be on for the worklight to function.
- When finished, disconnect your device and press the power button indicator again for three seconds to turn off the inverter.
- NOTE:** When needed, an internal cooling fan will run to regulate the unit's operating temperature. If running, always wait for the fan to stop before you disconnect the battery pack from the inverter.

MAINTENANCE

REPLACING THE FUSE

See Figure 7.
Always replace the fuse with a 5D 12 Amp fast blow glass fuse. Never replace the fuse with a higher-rated fuse.

- Make sure LED power button/overload indicator is OFF.
- Disconnect any USB or AC devices that are plugged into the inverter.
- Unscrew fuse cover and remove from 12 V plug.
- Remove fuse cap.
- Remove the blown fuse. Replace with the new fuse.
- Reinstall the fuse cap and fuse cover. Tighten securely.

REPLACEMENT PARTS

The following replacement parts may be ordered by calling our customer service department at 1-800-525-2579:

12A Glass Fuse	870291007
Alligator Clamps Cable.....	290426042
12V DC Adaptor Cable	290426041
Mounting Bracket.....	638700062

WARRANTY

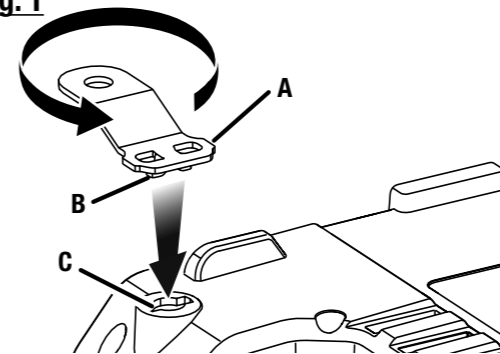
This product has a **Three-year Limited Warranty for personal, family, or household use (90 days for business or commercial use). For warranty details, visit www.ryobitools.com or call (toll free) 1-800-525-2579.**

FCC COMPLIANCE

WARNING:
Changes or modifications to this unit not expressly approved by the party responsible for compliance could void the user's authority to operate the equipment.

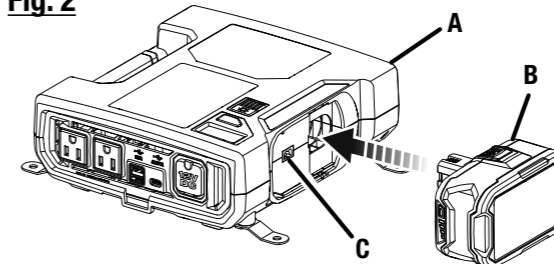
ILLUSTRATIONS / ILLUSTRÉES / ILUSTRADAS

Fig. 1



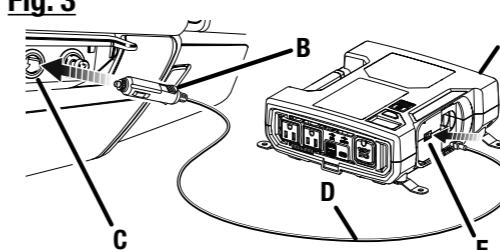
A - Mounting bracket (support de fixation, soporte de montaje)
B - Tabs (languettes, lengüetas)
C - Slot (fente, ranura)

Fig. 2



A - Power inverter (inverseur de courant, inversor de corriente)
B - 18V battery (pile de 18 V, batería de 18 V)
C - Connector cord plug (connecteur, enchufe del cable del conector)

Fig. 3



A - Power inverter (inverseur de courant, inversor de corriente)
B - 12V DC plug (prise de 12 V CC, enchufe de CC de 12 V)
C - 12V DC power port (port CC de 12 V, puerto de CC de 12 V)
D - Connector cord plug (connecteur, enchufe del cable del conector)
E - Receptacle (prise, receptáculo)

This device complies with part 15 of the FCC rules. Operation is subject to the following two conditions: (1) this device may not cause harmful interference, and (2) this device must accept any interference received, including interference that may cause undesired operation.

NOTE: The grantee is not responsible for any changes or modifications not expressly approved by the party responsible for compliance. Such modifications could void the user's authority to operate the equipment.

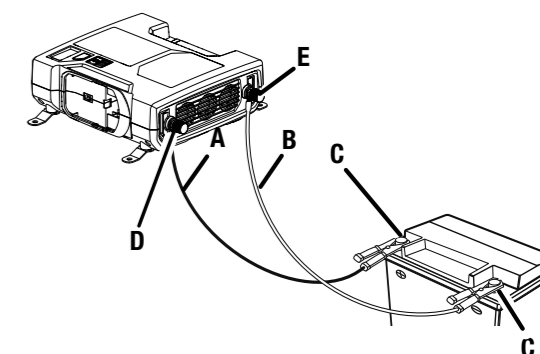
NOTE: This equipment has been tested and found to comply with the limits for a Class B digital device, pursuant to part 15 of the FCC Rules. These limits are designed to provide reasonable protection against harmful interference in a residential installation. This equipment generates, uses and can radiate radio frequency energy and, if not installed and used in accordance with the instructions, may cause harmful interference to radio communications. However, there is no guarantee that interference will not occur in a particular installation. If this equipment does cause harmful interference to radio or television reception, which can be determined by turning the equipment off and on, the user is encouraged to try to correct the interference by one or more of the following measures:

- Reorient or relocate the receiving antenna.
- Increase the separation between the equipment and receiver.
- Connect the equipment into an outlet on a circuit different from that to which the receiver is connected.
- Consult the dealer or an experienced radio/TV technician for help.

This device complies with Industry Canada license-exempt RSS standard(s). Operation is subject to the following two conditions: (1) this device may not cause interference, and (2) this device must accept any interference, including interference that may cause undesired operation of the device.

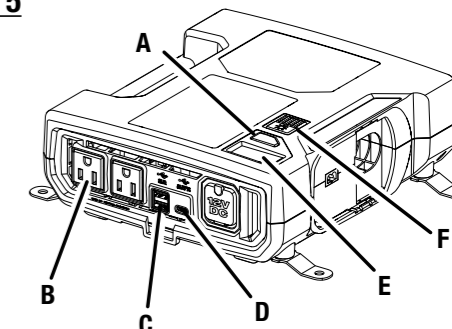
Under Industry Canada regulations, this radio transmitter may only operate using an antenna of a type and maximum (or lesser) gain approved for the transmitter by Industry Canada. To reduce potential radio interference to other users, the antenna type and its gain should be so chosen that the equivalent isotropically radiated power (e.i.r.p.) is not more than that necessary for successful communication.

Fig. 4



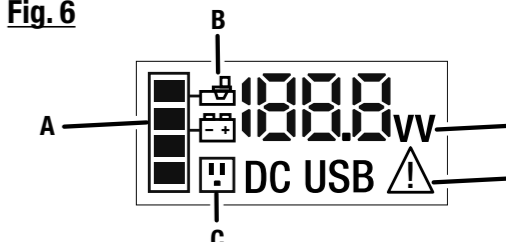
A - Black cable (-) [cable noir (-), cable negro (-)]
B - Red cable (+) [cable rouge (+), cable rojo(+)]
C - Alligator clamps (pincres crocodiles, pinzas de contacto)
D - Negative (-) terminal (borne négative (-), terminal negativa (-))
E - Positive (+) terminal [borne positive (+), tapa del terminal positiva (+)]

Fig. 5



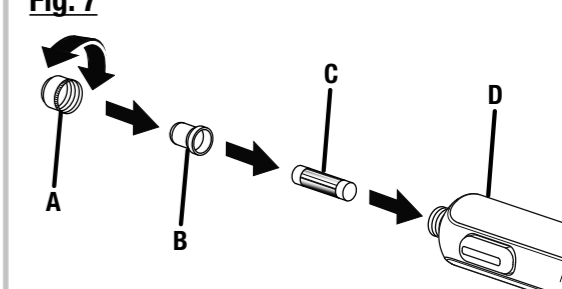
A - LED power button/overload indicator (témoin DEL/indicateur de surcharge, botón LED de encendido/indicador de sobrecarga)
B - 120 V receptacle (réceptacle 120 V, receptáculo de 120 voltios)
C - USB-A port (port USB-A, puerto USB-A)
D - 2.4A USB-C port (port USB-C 2.4A, puerto USB-C de 2,4 A)
E - LCD display (écran ACL, pantalla LCD)
F - LED light (lampe à DEL, luz LED)

Fig. 6



A - Battery level (niveau de la pile, nivel de la batería)
B - Battery type (types de pile, tipo de batería)
C - AC power (alimentation CA, alimentación de CA)
D - Error (error, error)
E - Input voltage "V" and output wattage "W" (tension d'entrée « V » et puissance de sortie « W », voltaje de entrada "V" y potencia de salida "W")

Fig. 7



A - Fuse cover (capuchon du fusible, tapa de fusible)
B - Fuse cap (capuchon fusible, tapa ce la fusible)
C - 12 amp fuse (fusible de 12 A, fusible de 12 amperios)
D - 12 volt DC plug (prise 12 V CC, enchufe de CC de 12 voltios)

TTI OUTDOOR POWER EQUIPMENT, INC.

P.O. Box 1288, Anderson, SC 29622, USA
1-800-525-2579 ■ www.ryobitools.com

998000603
4-24-23 (REV:04)

