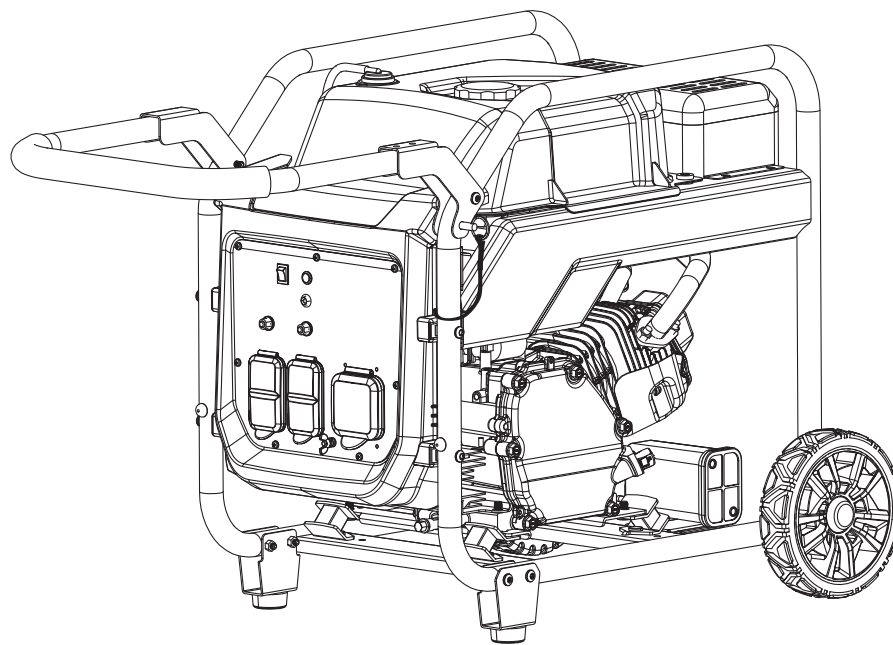


REPLACEMENT PARTS LIST

BRAND		RYOBI	DESCRIPTION
MODEL NO.	MFG. NO.		
RYi4022X	099930627		4,000 Watt Digital Inverter Generator
RYi4022VNM	099930667/099930699		



TTI OUTDOOR POWER EQUIPMENT, INC.

P.O. Box 1288, Anderson, SC 29622 ■ 1-800-525-2579 ■ www.ryobitools.com

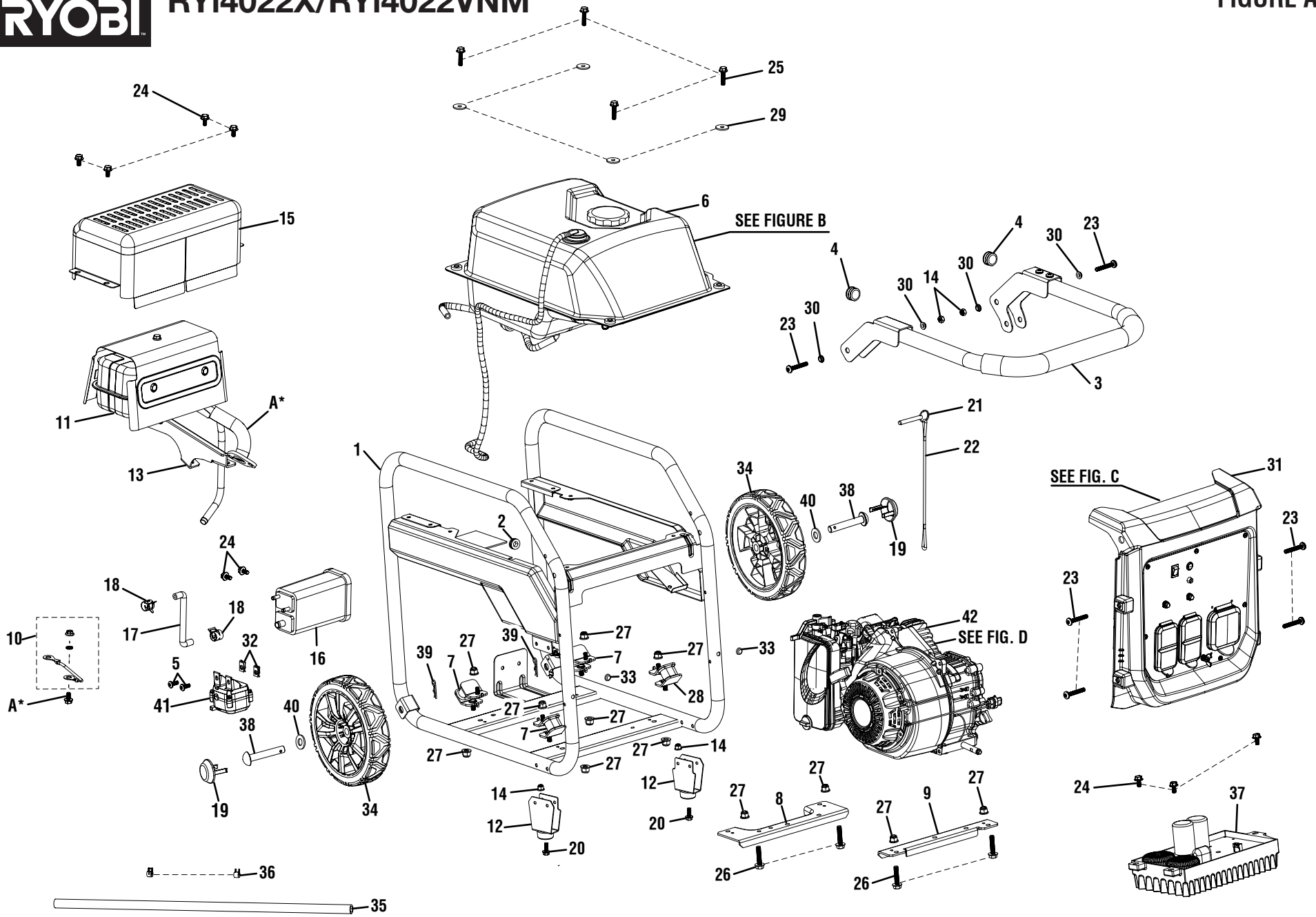
99800531
2-15-22 (Rev:02)

The model number and manufacturing location will be found on a label attached to the product. Always mention this information in all communications regarding this product and when ordering parts.



RYi4022X/RyI4022VNM

FIGURE A



A* — Hardware provided with engine from vendor.



RYi4022X/RYi4022VNM

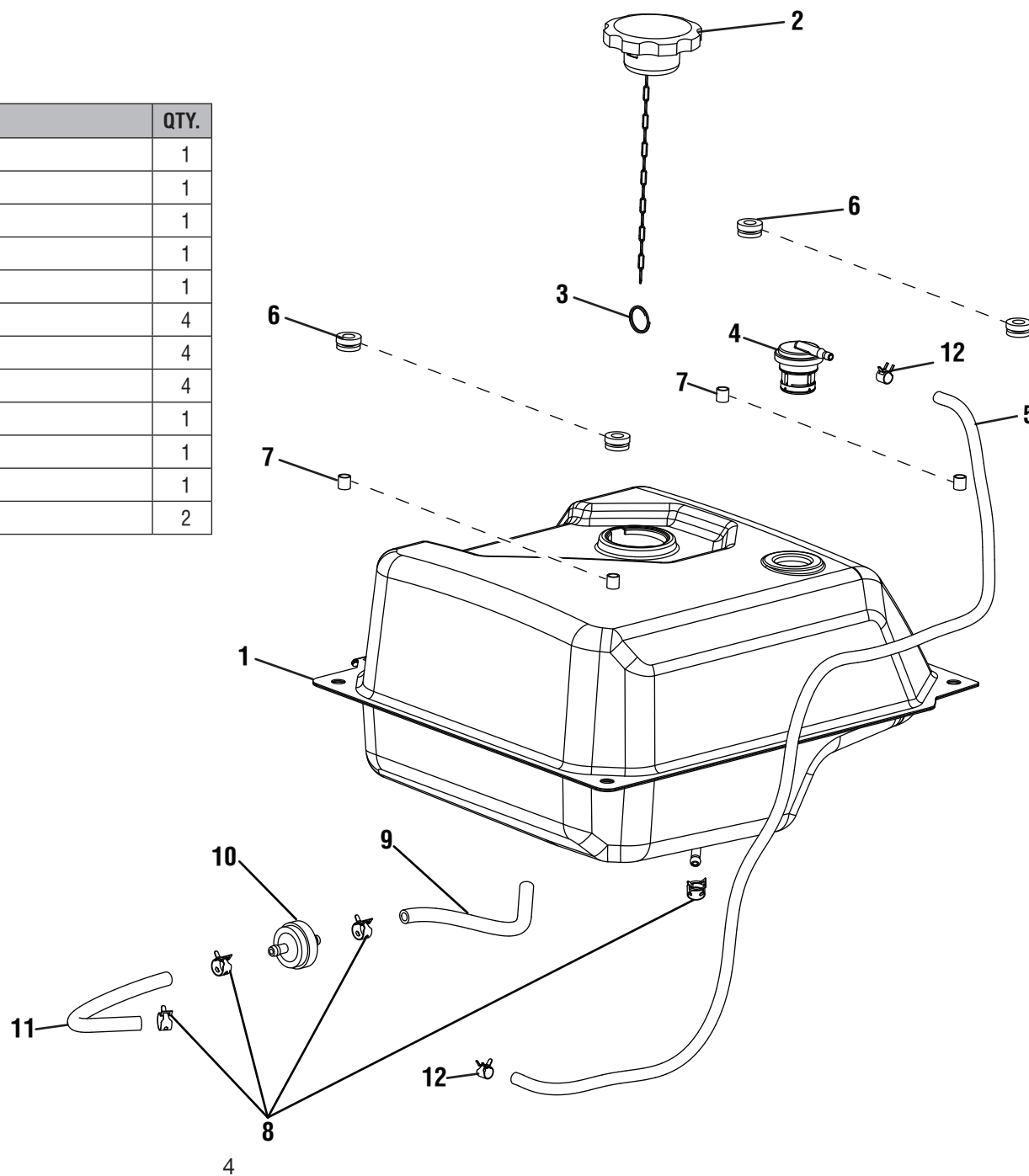
PARTS LIST – FIGURE A

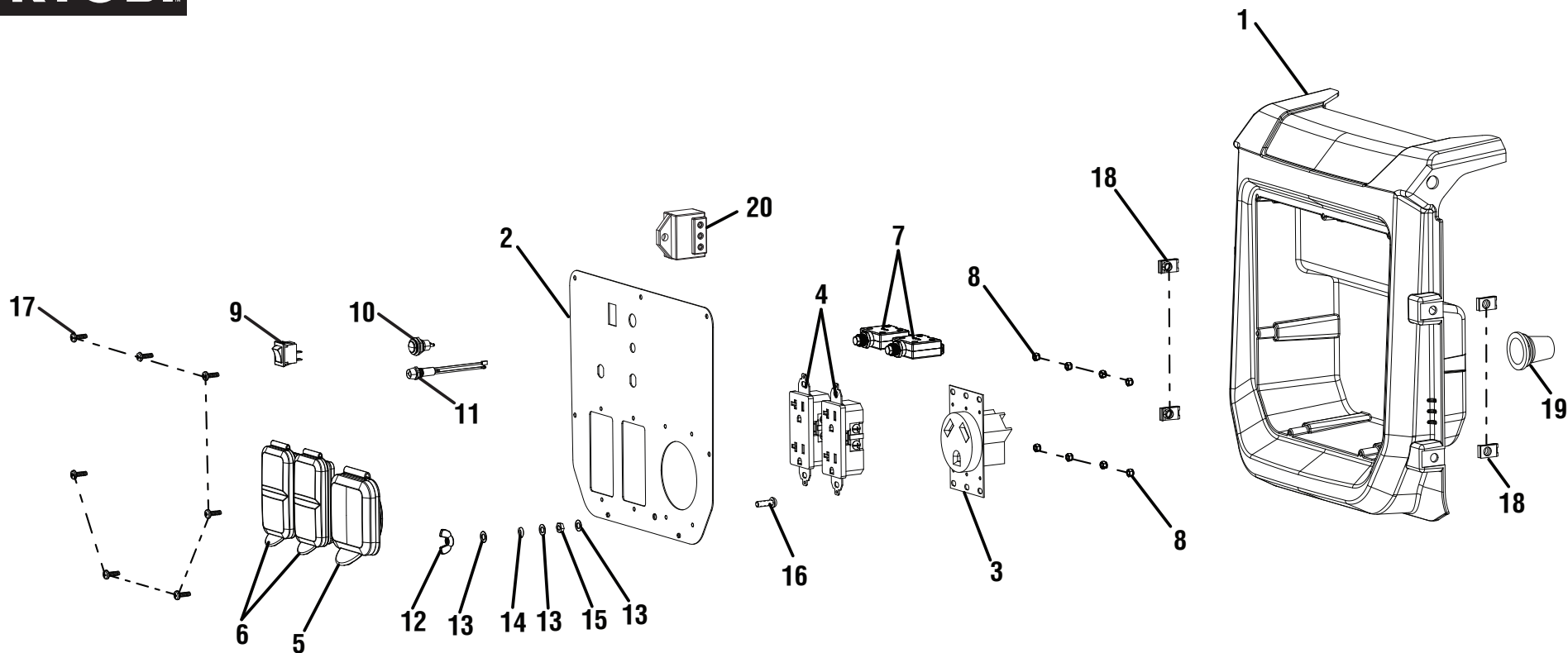
KEY NO.	PART NO.	DESCRIPTION	QTY.
1	308581097	Frame Assembly	1
2	570766017	Grommet	1
3	308581091	Handle	1
4	519712010	Handle End Caps	2
5	660764013	Bolt (M6 x 10 mm, T30 Torx Pan Hd.)	2
6	See Fig. B	Fuel Tank Assembly	1
7	679940012	Isolator (45 Deg, Short)	3
8	638496053	Bottom Plate (Left)	1
9	638496054	Bottom Plate (Right)	1
10	290404023	Ground Wire Assembly	1
11	309322059	Muffler	1
12	570554020	Foot Assembly	2
13	638496070	Muffler Bracket	1
14	678460009	Nut (M6)	4
15	638497051	Muffler Heat Shield	1
16	310771075	Carbon Canister (Depurate Q-13-004)	1
17	570358218	Carbon Canister to Airbox Hose	1
18	678409013	Fuel Clamp (3/8 in)	2
19	529655001	Hub Caps	2
20	662979003	Bolt (M6 x 40 mm, Flange Hex Hd.)	2
21	310712001	Pin Release	1
22	310715001	Lanyard	1
23	660224012	Bolt (M6 x 40 mm, T30 Torx Pan Hd.)	6
24	662979001	Flange Bolt (M6 x 12 mm)	9

KEY NO.	PART NO.	DESCRIPTION	QTY.
25	662979002	Flange Bolt (M6 x 25 mm)	4
26	662979004	Flange Bolt (M6 x 16 mm, T30 Torx Pan Hd.)	4
27	678774002	Lock Nut (M8)	12
28	679940013	Isolator (45 Deg, Tall)	1
29	638128038	Washer	4
30	638128039	Shoulder Washer	4
31	See Fig. C	Control Panel Assembly	1
32	678824004	U-Clip	2
33	570371008	Handle Bumper	2
34	330073008	Wheel Assembly (8 in.)	2
35	570358212	Pair Valve Hose	1
36	678409013	Pair Valve Hose Clamp	2
37	290991038	Inverter Module	1
38	681866010	Axle	2
39	678146004	Hitch Pin	2
40	638275002	Washer	2
41	290432058	CO Detector Assembly	1
42	See Fig. D	Engine, Rato 212cc Inverter EZSRT 2021	1
	Not Shown:		
	995000700	Operator's Manual	
	995000701	Quick Start Guide	
	519314001	Funnel	
	998000103	Warranty Insert	

PARTS LIST — FIGURE B

KEY NO.	PART NO.	DESCRIPTION	QTY.
1	310711232	Fuel Tank	1
2	310720026	Fuel Cap w/Chain	1
3	678899007	Ring Clip	1
4	310854004	Vapor Vent	1
5	570358209	Vapor Hose (4.5 mm x 760 mm)	1
6	519832003	Bushing	4
7	518528002	Isolator Insert Spacer	4
8	678408006	Fuel Clamp (1/2 in.)	4
9	570358210	Fuel Hose (6.2 mm to 4.5 mm)	1
10	308733008	Inline Fuel Filter	1
11	570358211	Fuel Hose	1
12	678409008	Fuel Clamp (3/8 in.)	2

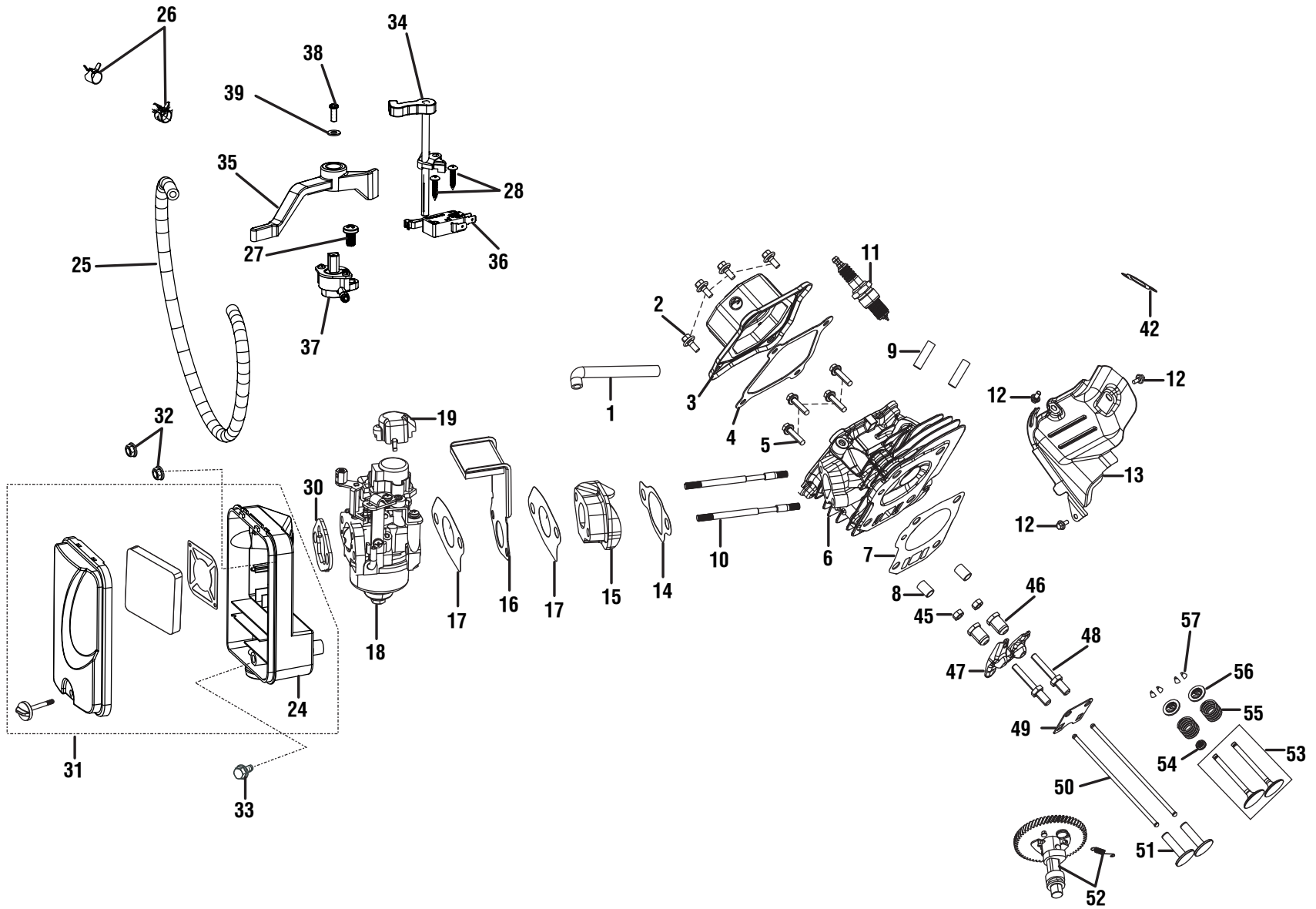


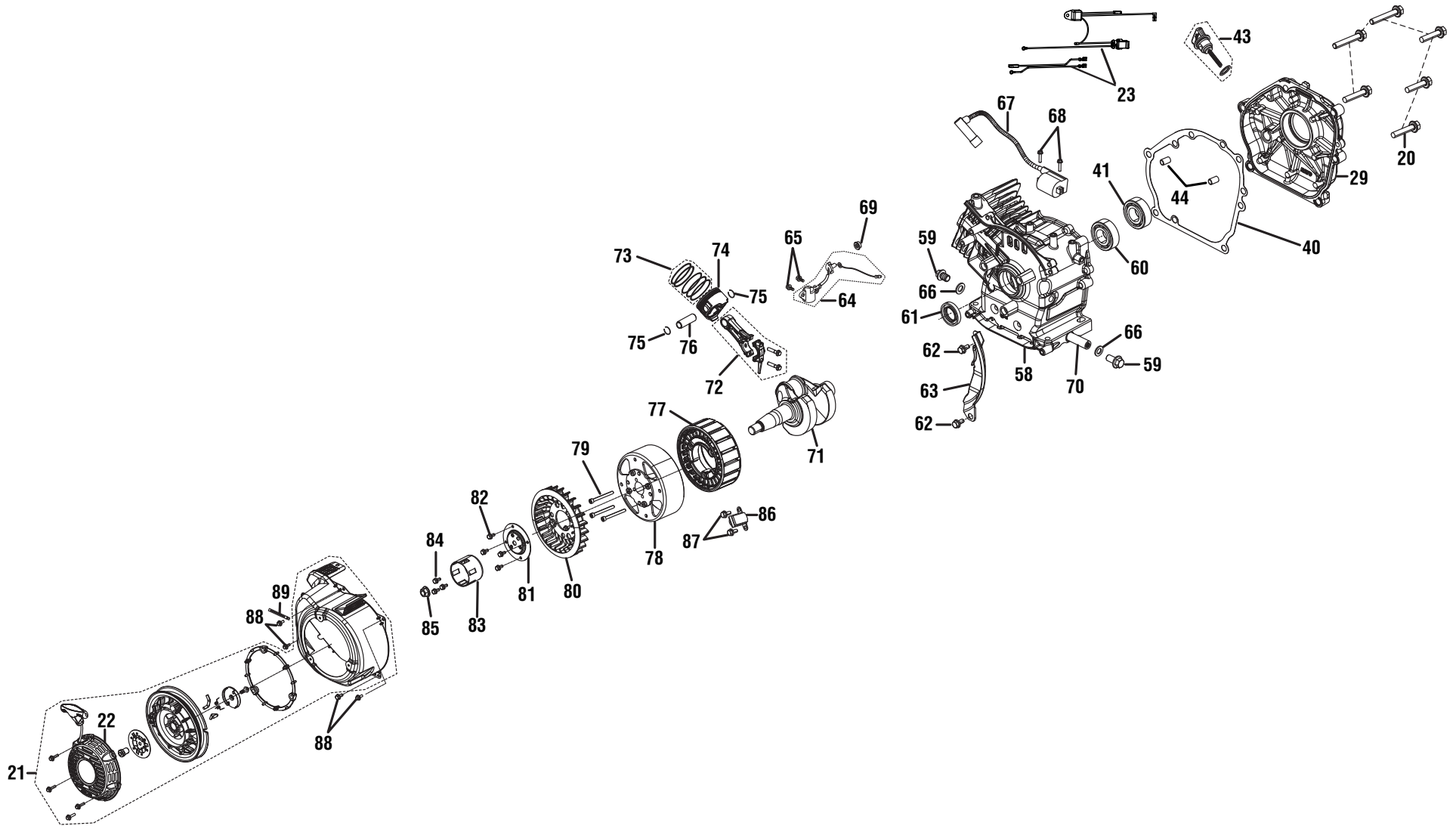


PARTS LIST – FIGURE C

KEY NO.	PART NO.	DESCRIPTION	QTY.
1	519815016	Electrical Panel Housing	1
2	638496061	Control Panel	1
3	290400009	120 Volt 30 Amp Receptacle	1
4	290400017	120 Volt 20 Amp Duplex Receptacle	2
5	570412013	Outlet Cover	1
6	570412008	120 Volt Rain Cover	2
7	780350009	Breaker 20A	2
8	678827004	Lock Nut (M4)	8
9	760504016	Auto Idle Rocker Switch	1
10	760945005	Momentary Push Button-Reset	1

KEY NO.	PART NO.	DESCRIPTION	QTY.
11	270290022	Indicator - Red LED	1
12	678016009	Wing Nut (M5)	1
13	638623005	Washer (ID 5.3 x OD 10.0 x 0.5 t)	3
14	678343003	Split Lock Washer (OD 9 x ID 5 x 1.3t)	1
15	678016008	Nut (M5)	1
16	660976002	Bolt (M5 x 16 mm, Pan Hd)	1
17	661864006	Screw (M4.2 x 12 mm, Pan Hd)	7
18	678824004	U-Clip (M6)	4
19	570766006	Wiring Rubber Boot	1
20	850201008	Ignition Module	1







PARTS LIST – FIGURES D AND E

KEY NO.	PART NO.	DESCRIPTION	QTY.
1	17004-Z430210-0000	Breather Tube	1
2	90001-0612-01*	Bolt	4
3	12410-Z440110-0099	Cylinder Head Cover	1
4	12004-Z440110-00A0	Cylinder Head Cover Gasket	1
5	12003-Z010110-0000	Cylinder Head Bolt	4
6	12140-Z810210-00A0	Cylinder Head Assembly	1
7	12131-Z530320-0000	Cylinder Head Gasket	1
8	90502-1114-00	Pin	2
9	90203-Z010110-0000	Stud	2
10	90207-Z330210-0000	Stud	2
11	30010-Z010110-0000	Spark Plug	1
12	90001-0610-01*	Bolt	3
13	19304-Z430210-0000	Cylinder Body Shroud	1
14	16002-Z010110-0000	Carburetor Insulator Gasket	1
15	16003-Z430110-0000	Carburetor Insulator Plate	1
16	30053-Z430110-0000	Step Motor Heat Shield	1
17	16001-Z010110-0000	Carburetor Gasket	2
18	16100-Z431010-0009	Carburetor Assembly	1
19	14411-Y2V0110-0000	Cap	1
20	90001-0832-01	Bolt	6
21	28100-Z430910H6VAA	Recoil Starter Assembly	1
22	282200-Z440610-H600	Engine Recoil Cover	1
23	290435072	Ignition Wire Harness	1
24	518248009	Engine Air Box	1
25	570358154	Fuel Hose	1
26	678409008	Fuel Clamp (3/8 in.)	2
27	660972028	Bolt (M6 x 10 mm, Phillips Pan Hd.)	1
28	661864011	Screw (ST2.9 x 16 mm, Phillips Pan Hd.)	2

KEY NO.	PART NO.	DESCRIPTION	QTY.
29	11411-Z430210-00A0	Crankcase Cover	1
30	17001-Z010110-0000	Air Cleaner Gasket	1
31	17100-Z301210-0099	Air Cleaner Assembly	1
32	90305-0600-31	Nut	2
33	90001-0625-01	Bolt	1
34	590458020	Choke Lever	1
35	525361024	Control Lever	1
36	270290030	Engine Stop Switch	1
37	678670007	Fuel Valve Assembly	1
38	660465002	Bolt (M4 x 10 mm)	1
39	673156001	Washer (M4)	1
40	11001-Z440110-00A0	Crankcase Gasket	1
41	90547-0205-CL	Bearing	1
42	18107-Z030110-0000	Second Supply Air Valve Gasket	1
43	15010-Z010130-QG00	Oil Dipstick Assembly	1
44	90502-0912-00	Pin	2
45	14312-Z010110-0000	Valve Lock Nut	2
46	14314-Z010110-0000	Valve Adjusting Nut	2
47	14311-Z010110-0000	Valve Rocker Arm	2
48	14313-Z010110-0000	Valve Adjusting Bolt	2
49	14090-Z010110-0000	Lifter Stopper Plate	1
50	14071-Z440110-0000	Valve Lifter	2
51	14081-Z040110-0000	Valve Tappet	2
52	14200-Z530210-0099	Camshaft Assembly	1
53	12110-Z810120-0099	Valves Set	1
54	12101-Z810210-0000	Seal Guide	1
55	12103-Z010110-0000	Valve Spring	2
56	12112-Z810210-0000	Valve Spring Seat	2

* These part numbers are intentionally duplicated.

Note: Techtronic Industries Power Equipment, Inc. will not provide complete engines as replacement parts. Engines are covered through the engine manufacturer's warranty. Consult the accompanying engine manual or contact our service department for assistance.



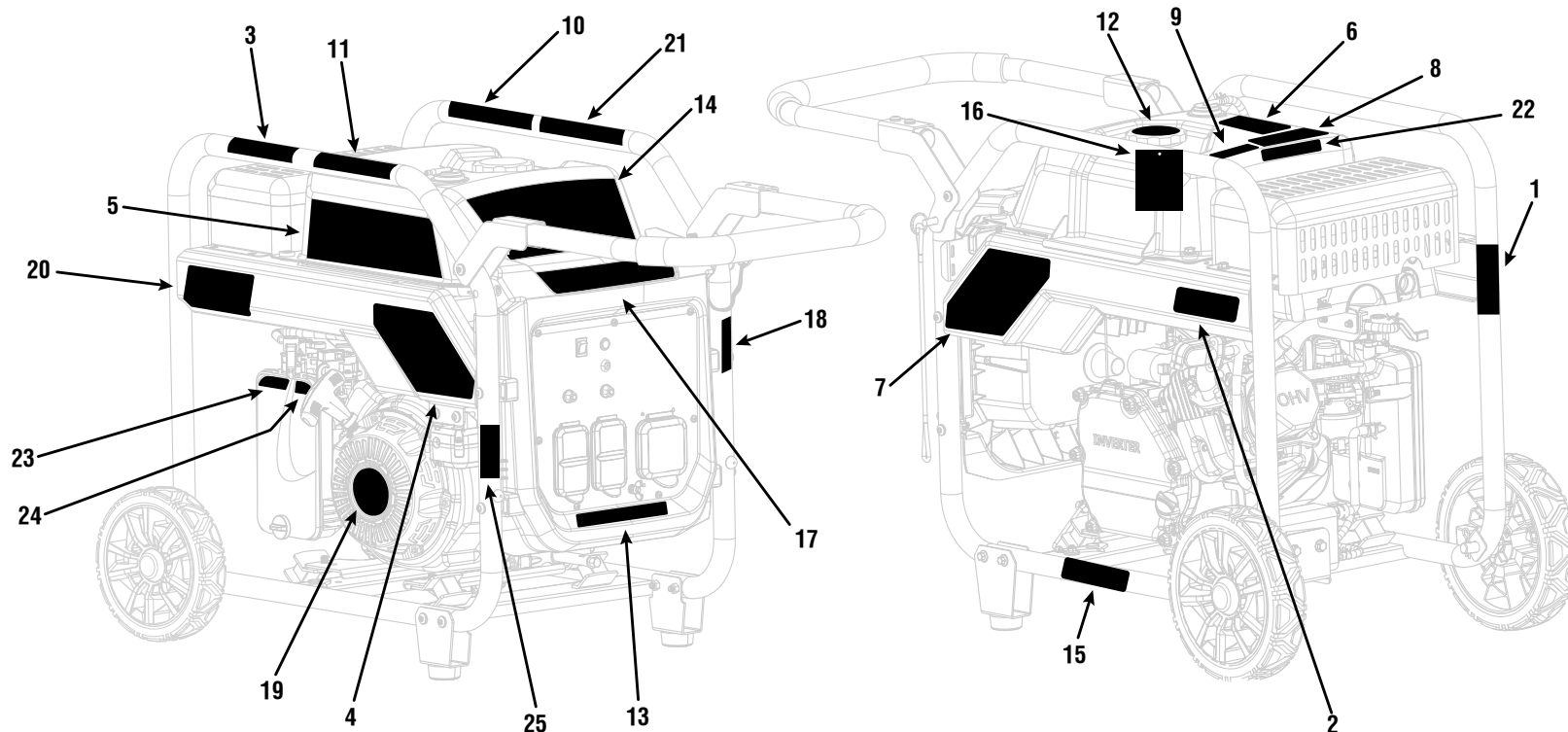
RYi4022X/Ryi4022VNM

PARTS LIST — FIGURES D AND E (cont.)

KEY NO.	PART NO.	DESCRIPTION	QTY.
57	12109-Z810110-0000	Valve Lock Clamp	4
58	11310-Z430240-00A9	Crankcase Assembly	1
59	11007-Z010110-0000	Drain Plug Bolt	2
60	90548-0205-CLAO	Bearing	1
61	90682-Z300110-00A0	Oil-Seal	1
62	90001-0612-01*	Bolt	2
63	19340-Z430110-0000	Lower Shield	1
64	37060-Z010120-0000	Engine Oil Sensor	1
65	90001-0614-01	Bolt	2
66	90408-Z010510-0000	Washer	2
67	30400-Z430210-0002	Ignition Coil	1
68	90001-0520-01	Bolt	2
69	90305-Z010210-0100	Nut	1
70	11011-Z430120-0000	Oil Drain Tube	1
71	13300-Z430310-0000	Crankshaft Assembly	1
72	13010-Z440210-00A9	Connecting Rod	1
73	13200-Z140210-00A9	Piston Ring Assembly	1
74	13111-Z140220-0099	Piston	1

KEY NO.	PART NO.	DESCRIPTION	QTY.
75	13122-Z010110-0000	Piston Pin Clip	2
76	13121-Z010110-0000	Piston Pin	1
77	310772070	Stator	1
78	310771076	Rotor	1
79	90102-0660-06	Bolt	3
80	19352-Z150110-00A0	Impeller	1
81	28020-Z150120-0000	Starter Cup Seat	1
82	90001-0612-01*	Bolt	4
83	28002-Z150110-0000	Starter Pulley	1
84	90001-0610-01*	Bolt	3
85	13501-Z010110-0000	Flywheel Nut	1
86	30130-Z430310-0000	Trigger Assembly	1
87	90001-0516-01	Bolt	2
88	90001-0612-01*	Bolt	4
89	90684-Z030120-0000	Clip	1
	Not Shown:		
	90408-0600-E1	Flat Washer	3

* These part numbers are intentionally duplicated.



PARTS LIST – LABELS

KEY NO.	PART NO.	DESCRIPTION	QTY.
1	940680086	Hot Surface Label	1
2	941486008	Inquiries Label	1
3	940947025	Combustion Label	1
4	941807005	Monitoring System Label	1
5	941211001	CO Instruction Label	1
6	940515017	CPSC Danger Label	1
7	940654413	Danger Icon Label	1
8	940872003	E85 Label	1
9	941209003	Exhaust Direction Label	1
10	940974089	Fire Distance Label	1
11	940974007	Fire Danger Label	1
12	940872022	Remove Cap Fuel Stabilizer Label (ENG)	1
13	940513030	Ground Warning Label (ENG/FR)	1

KEY NO.	PART NO.	DESCRIPTION	QTY.
14	940705449	Tank Logo Label	1
15	940708019	Lubricant Label	1
16	940971087	Notice Hangtag	1
17	940705448	Performance Label	1
18	940514001	Locking Pin Label	1
19	940633057	Engine Recoil Label	1
20	940734189	Start Label	1
21	940872027	Fuel Stabilizer Label (FR/SP)	1
22	940680064	Hot Surface Label	1
23	940734192	Off/Cold Start Label	1
24	940734191	Run/Restart Label	1
25	941207019	Do Not Tamper Label (FR)	1

