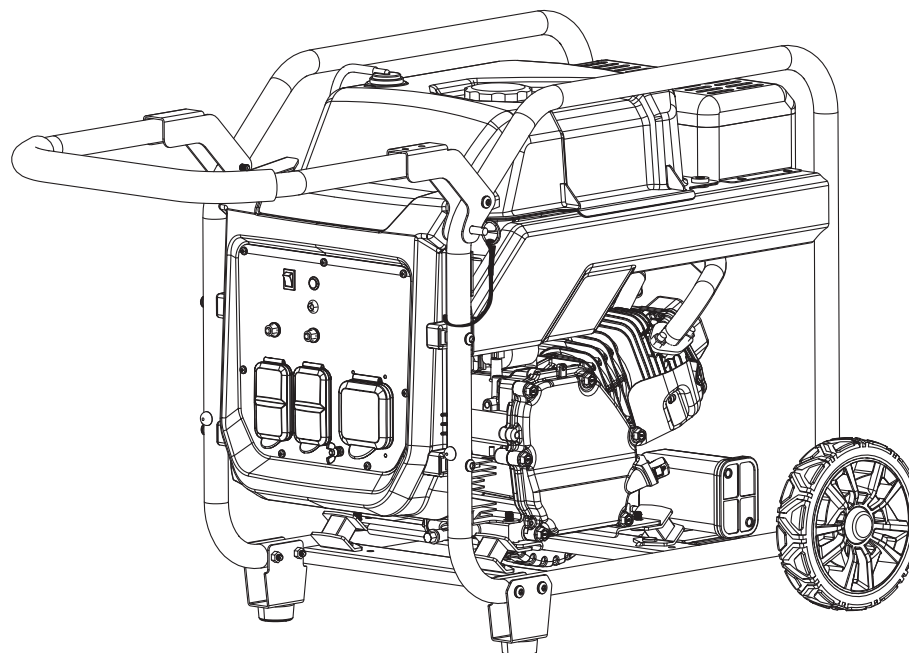


REPLACEMENT PARTS LIST

BRAND RYOBI		DESCRIPTION 4,000 Watt Digital Inverter Generator
MODEL NO. RYi4022X	MFG. NO. 099930628	



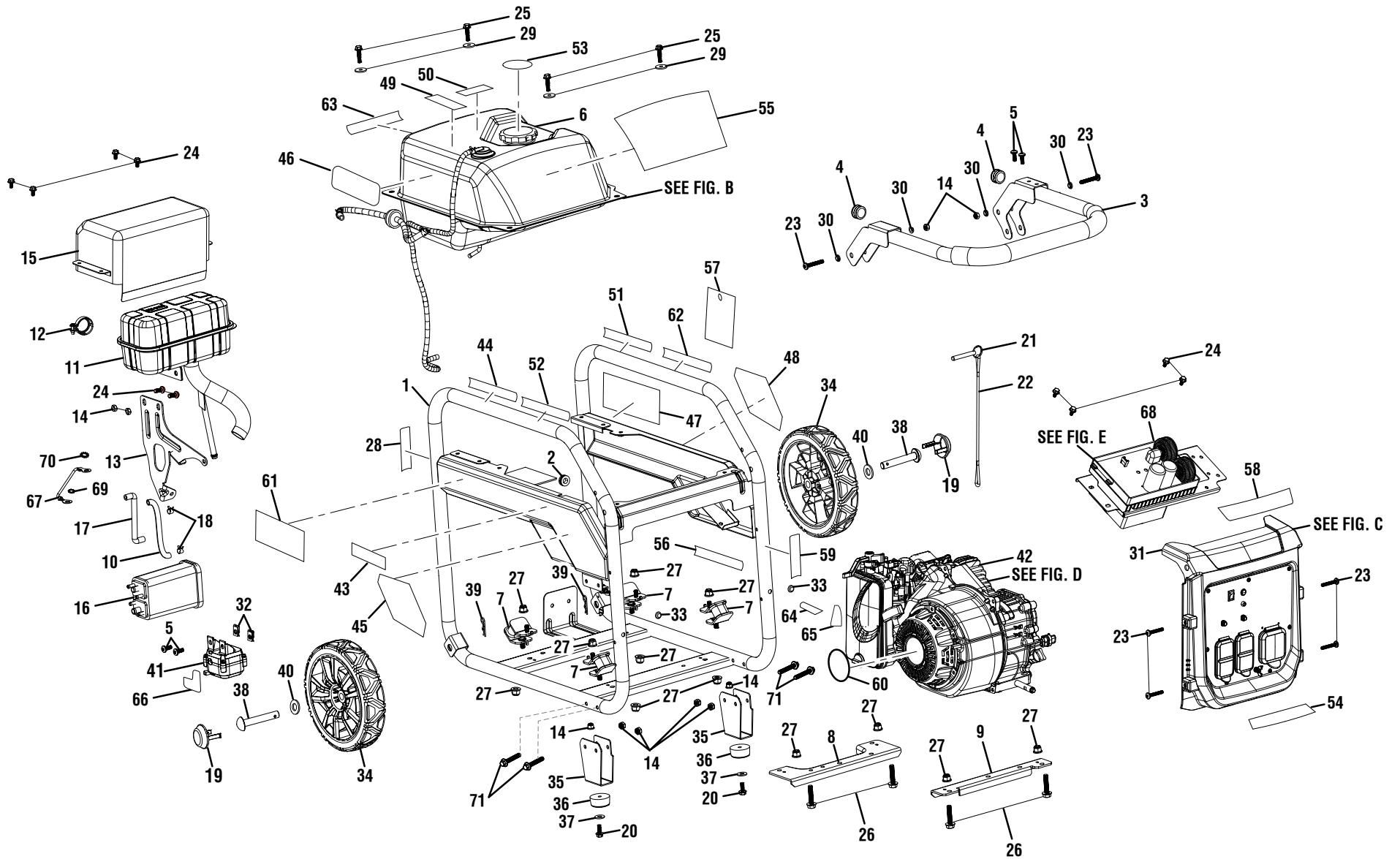
TTI OUTDOOR POWER EQUIPMENT, INC.

P.O. Box 1288, Anderson, SC 29622 ■ 1-800-525-2579 ■ www.ryobitools.com

995000702

2-15-22 (Rev:05)

The model number and manufacturing location will be found on a label attached to the product. Always mention this information in all communications regarding this product and when ordering parts.



**RYi4022X****PARTS LIST – FIGURE A**

KEY NO.	PART NO.	DESCRIPTION	QTY.
1	308581090	Frame Assembly	1
2	570766017	Grommet	1
3	308581091	Handle	1
4	519712010	Handle End Caps	2
5	660764013	Bolt (M6 x 10 mm, T30 Torx Pan Hd.)	4
6	See Fig. B	Fuel Tank Assembly	1
7	679940014	Isolator (45 Deg)	4
8	638496059	Bottom Plate (Left)	1
9	638496060	Bottom Plate (Right)	1
10	570358213	Pair Valve Hose	1
11	309322052	Muffler	1
12	638147015	Spark Screen	1
13	638496063	Muffler Bracket	1
14	678460009	Nut (M6)	10
15	638497052	Muffler Heat Shield	1
16	310771072	Carbon Canister (Rewin Q-08-007 RW320cc)	1
	310771075	Carbon Canister (Depurate Q-13-004)	1
17	570358218	Carbon Canister to Airbox Hose	1
18	678409008	Fuel Clamp (3/8 in)	2
19	529655001	Hub Caps	2
20	662979005	Bolt (M6 x 16 mm, Hex Hd)	2
21	310712001	Pin Release	1
22	310715001	Lanyard	1
23	660224012	Bolt (M6 x 40 mm, T30 Torx Pan Hd.)	6
24	662979001	Flange Bolt (M6 x 12 mm)	10
25	662979002	Flange Bolt (M6 x 25 mm)	4
26	662979004	Flange Bolt (M6 x 16 mm, T30 Torx Pan Hd.)	4
27	678774002	Lock Nut (M8)	12
28	940680086	Hot Surface Label	1
29	638128038	Washer	4
30	639128039	Shoulder Washer	4

KEY NO.	PART NO.	DESCRIPTION	QTY.
31	See Fig. C	Control Panel Assembly	1
32	678824004	U-Clip	2
33	570371008	Handle Bumper	2
34	330073008	Wheel (8 in.)	2
35	638496062	Foot	2
36	570554001	Wear Pad	2
37	638128004	Washer	2
38	681866010	Axle	2
39	678146004	Hitch Pin	2
40	638275002	Washer	2
41	290432044	Control Module Assembly	1
42	See Fig. D	Engine, Ducar 212cc Inverter EZSRT 2019	1
43	941486008	Inquiries Label	1
44	940947025	Combustion Label	1
45	941807005	Monitoring System Label	1
46	941211001	Instruction Label	1
47	940515017	CPSC Danger Label	1
48	940654413	Danger Icon Label	1
49	940872003	E85 Label	1
50	941209003	Exhaust Direction Label	1
51	940974089	Fire Distance Label	1
52	940974007	Fire Danger Label	1
53	940872022	Remove Cap Fuel Stabilizer Label (ENG)	1
54	940513030	Ground Warning Label (ENG/FR)	1
55	940705449	Tank Logo Label	1
56	940708019	Lubricant Label	1
57	940971087	Notice Hang Tag	1
58	940705448	Performance Label	1
59	940514001	Locking Pin Label	1
60	940633057	Engine Recoil Label	1
61	940734189	Start Label	1



RYi4022X

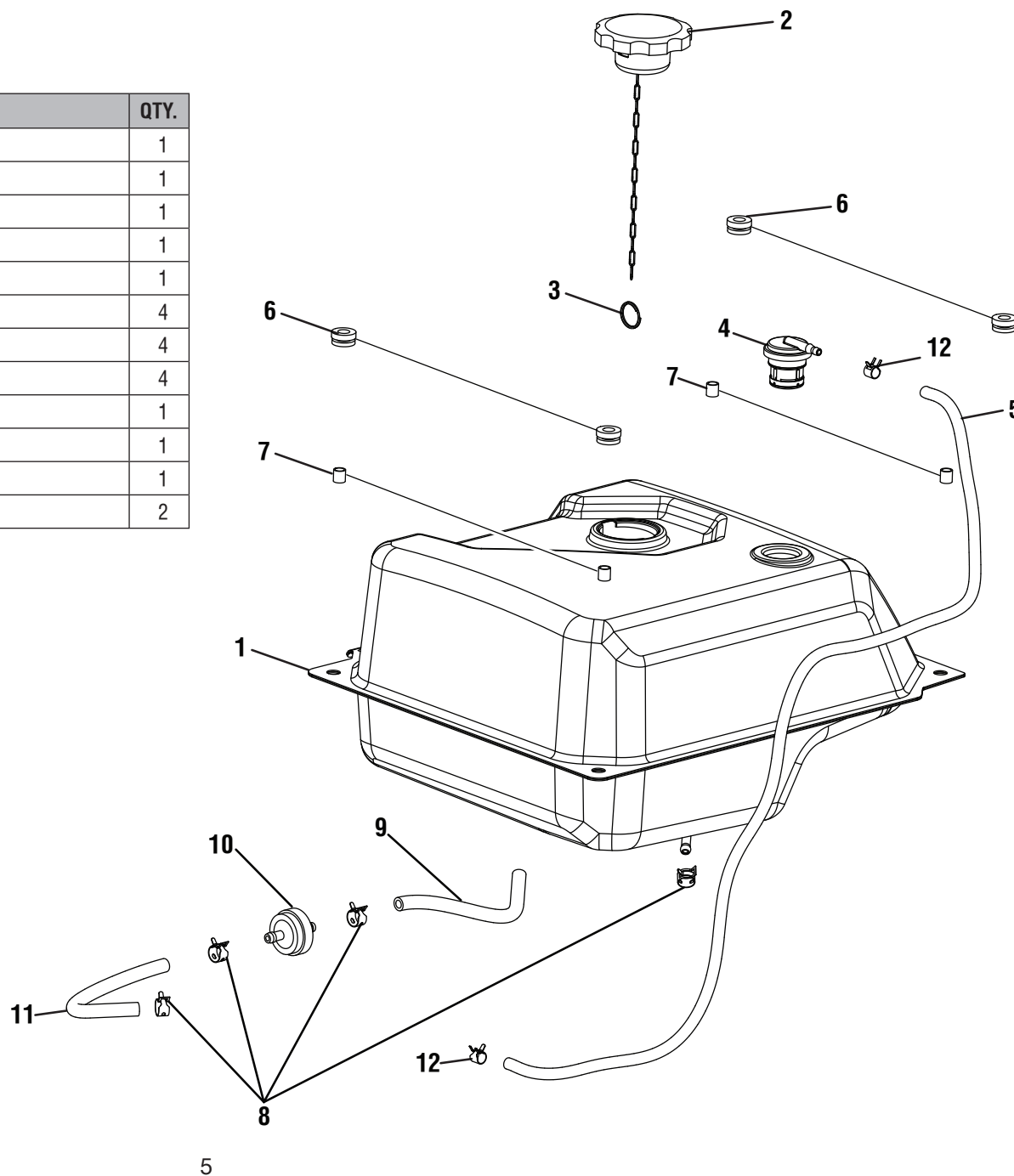
PARTS LIST — FIGURE A (cont.)

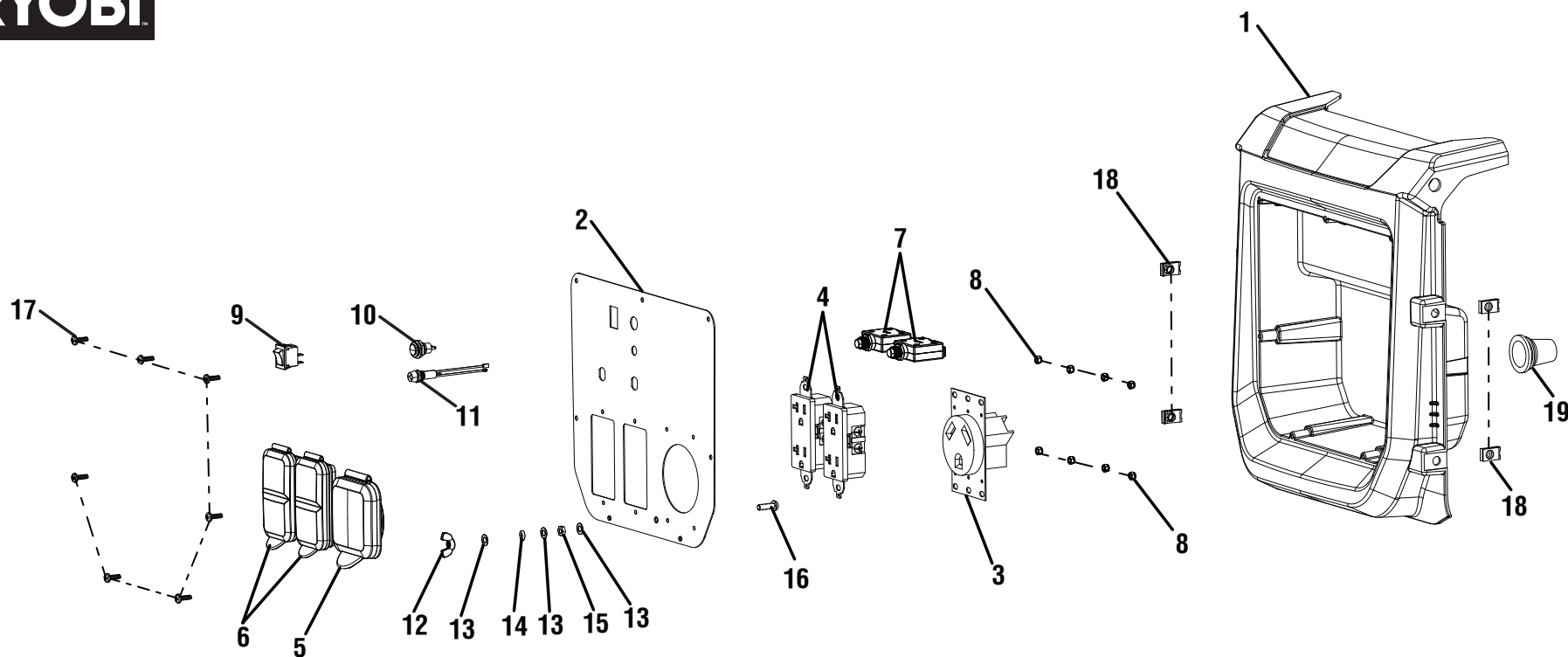
KEY NO.	PART NO.	DESCRIPTION	QTY.
62	940872027	Fuel Stabilizer Label (FR/SP)	1
63	940680064	Hot Surface Label	1
64	940734192	Off Label	1
65	940734191	On Label	1
66	941207016	LED Warning Label	1
67	290404022	Ground Wire	1
68	See Fig. E	Invert Module assembly	1
69	638704001	Star Washer (5/16 in.)	1

KEY NO.	PART NO.	DESCRIPTION	QTY.
70	638704002	Star Washer (ID6.4 x OD11 x 0.6t)	1
71	662979003	Bolt (M6 x 40 mm, Flange Hex Hd.)	4
	Not Shown:		
	995000894	Spark Arrestor Screen Insert Sheet	
	995000700	Operator's Manual	
	995000701	Quick Start Guide	

PARTS LIST — FIGURE B

KEY NO.	PART NO.	DESCRIPTION	QTY.
1	310711232	Fuel Tank	1
2	310720026	Fuel Cap w/Chain	1
3	678899007	Ring Clip	1
4	310854004	Vapor Vent	1
5	570358209	Vapor Hose (4.5 mm x 760 mm)	1
6	519832003	Bushing	4
7	518528002	Isolator Insert Spacer	4
8	678408006	Fuel Clamp (1/2 in.)	4
9	570358210	Fuel Hose (6.2 mm to 4.5 mm)	1
10	308733008	Inline Fuel Filter	1
11	570358211	Fuel Hose	1
12	678409008	Fuel Clamp (3/8 in.)	2

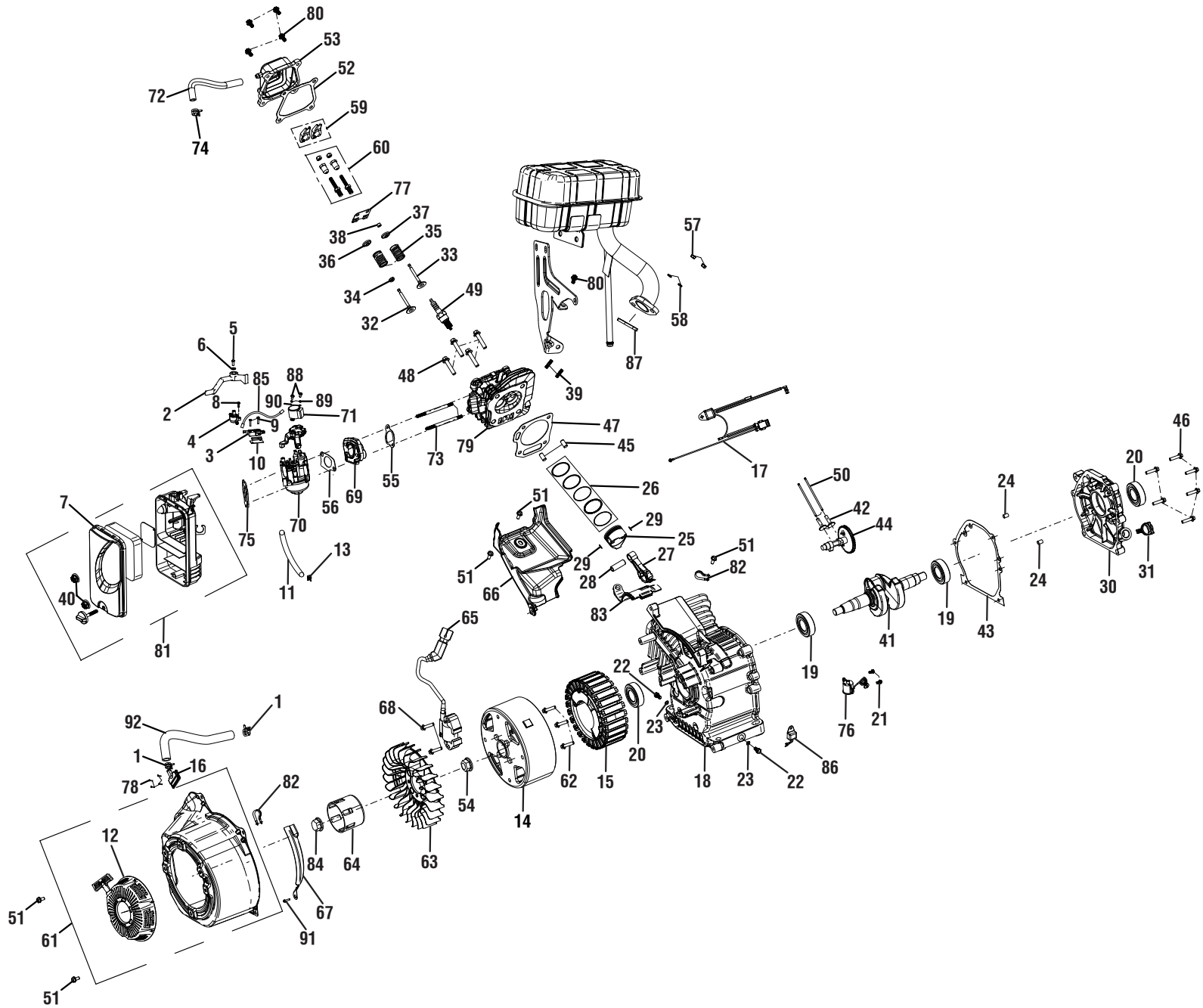




PARTS LIST – FIGURE C

KEY NO.	PART NO.	DESCRIPTION	QTY.
1	519815016	Electrical Panel Housing	1
2	638496051	Control Panel	1
3	290400009	120 Volt Receptacle	1
4	290400017	120 Volt 20 Amp Duplex Receptacle	2
5	570412013	Outlet Cover	1
6	570412008	120 Volt Rain Cover	2
7	780350009	Breaker 20A	2
8	678827004	Lock Nut (M4)	8
9	760504016	Auto Idle Rocker Switch	1
10	760945005	Momentary Push Button-Reset	1

KEY NO.	PART NO.	DESCRIPTION	QTY.
11	270290022	Indicator — Red LED	1
12	678016009	Wing Nut (M5)	1
13	638623005	Washer (ID5.3 x OD10.0 x 0.5t)	3
14	678343003	Split Lock Washer (OD9 x ID5 x 1.3t)	1
15	678016008	Nut (M5)	1
16	660976002	Bolt (M5 x 16 mm, Pan Hd)	1
17	661864006	Screw (M4.2 x 12 mm, Pan Hd)	7
18	678824004	U-Clip (M6)	4
19	570766006	Wiring Rubber Boot	1



**RYi4022X****PARTS LIST – FIGURE D**

KEY NO.	PART NO.	DESCRIPTION	QTY.
1	678409012	Fuel Hose Pinch Clamp	2
2	525361004	Control Lever	1
3	291443003	Engine Stop Switch	1
4	678670007	Fuel Valve	1
5	660465002	Bolt (M4 x 10 mm, Pan Hd.)	1
6	673156001	Washer	1
7	518248002	Air Box	1
8	660972028	Bolt (M6 x 10 mm, Pan Hd.)	1
9	661864011	Screw (M2.9 x 16 mm, Pan Hd.)	2
10	638970004	Engine Stop Bracket	1
11	570358154	Fuel Hose (300 mm)	1
12	D247429-164A	Engine Recoil Cover	1
13	678409008	Fuel Clamp (3/8 in.)	1
14	310771074	Rotor	1
15	310772069	Stator	1
16	678670015	Pair Valve	1
17	290435073	Engine Shutdown Wire Harness	1
18	D240245	Crankcase	1
19	D93009	Ball Bearing	2
20	D93507	Oil Seal	2
21	D91329	Bolt (M6 x 16 mm)	2
22	D91816	Drain Plug Bolt	2
23	D94007	Drain Plug Washer	2
24	D240901	Casecover Dowel Pin	2
25	D241208	Piston	1
26	D241607	Piston Scraper Ring Set	1
27	D241503	Connecting Rod Assembly	1
28	D245503	Piston Ring	1
29	D241301	Piston Clip	2

KEY NO.	PART NO.	DESCRIPTION	QTY.
30	D240130	Crankcase Cover Assembly	1
31	D245601-313	Dipstick	1
32	D241704	Intake Valve	1
33	D245904	Exhaust Valve	1
34	D241806	Intake Valve Returner	1
35	D246001	Spring Valve	2
36	D241801	Spring Valve Intake Seat	1
37	D241802	Spring Valve Exhaust Seat	1
38	D241804	Rotator	1
39	D91007	Stud Bolt	2
40	D90016	Nut (M6)	2
41	D248015	Crankshaft Assembly	1
42	D246102	Valve Lifter	2
43	D96041	Casecover Packing	1
44	D332006	Camshaft Assembly	1
45	D240905	Dowel Pin	2
46	D91347	Bolt (M8 x 30 mm)	6
47	D96058	Cylinder Head Gasket	1
48	D91359	Bolt (M8 x 60 mm)	4
49	D97108	Spark Plug	1
50	D241901	Push Rod	2
51	D91325	Bolt	5
52	D96256	Headcover Packing	1
53	D241119	Cylinder Head Cover	1
54	D90003	Nut	1
55	D96047	Intake Packing	1
56	D96051	Carburetor Packing	1
57	D90011	Nut	2
58	D94206	Spring Washer	2

Note: Techtronic Industries Power Equipment, Inc., will not provide complete engines as replacement parts. Engines are covered through the engine manufacturer's warranty. Consult the accompanying engine manual or contact our service department for assistance.

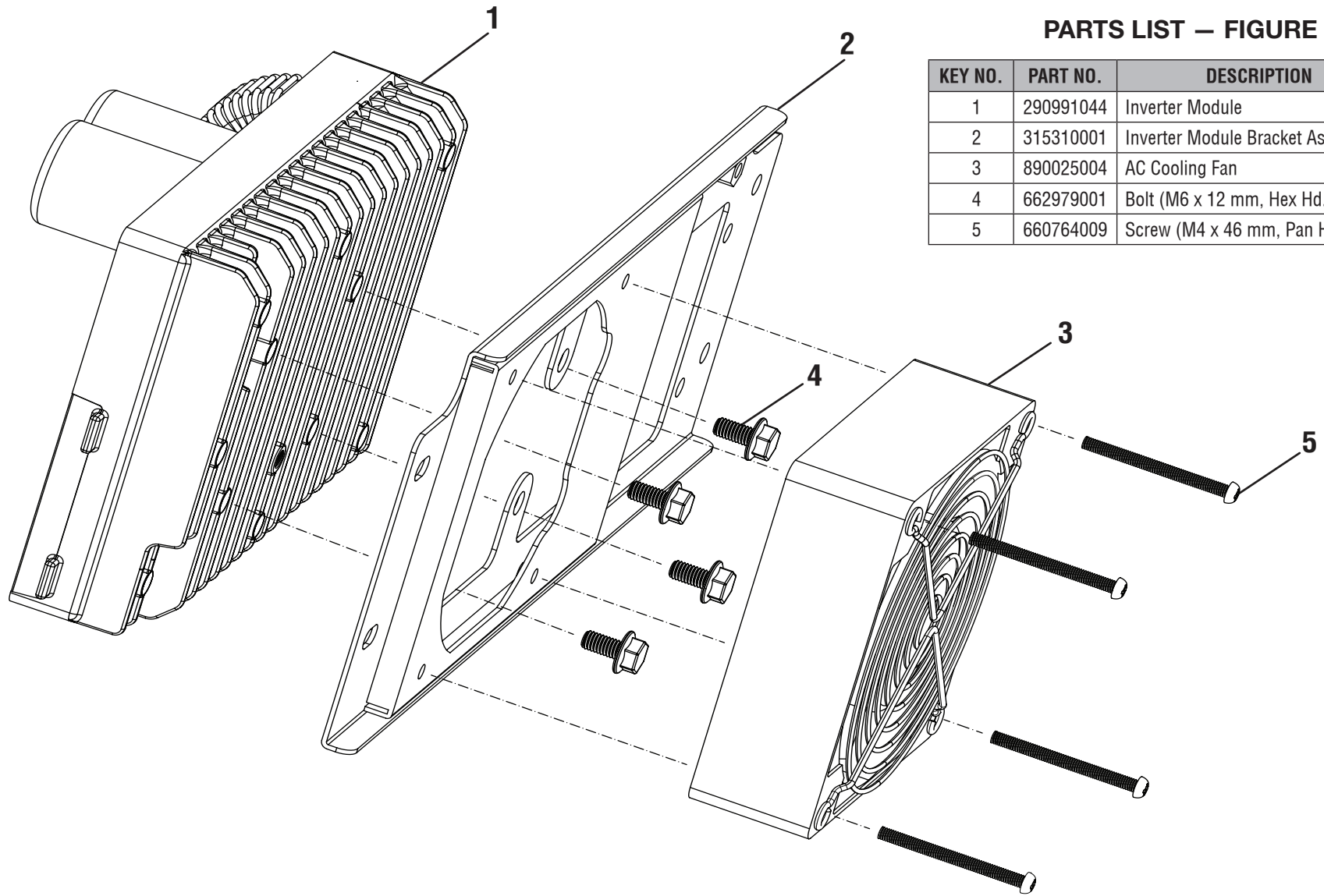


RYi4022X

PARTS LIST — FIGURE D (cont.)

KEY NO.	PART NO.	DESCRIPTION	QTY.
59	D242101	Rocker Assembly	2
60	D91818	Adjuster Rocker Arm	2
61	D247429-164A	Recoil Starter Assembly	1
62	D91312	Bolt (M6 x 45 mm)	3
63	D244602	Recoil Starter Fan	1
64	D334502	Starter Pulley	1
65	D249813	Ignition Coil	1
66	D240520	Shroud	1
67	D240521	Shroud	1
68	D91334	Bolt (M6 x 30 mm)	2
69	D332301	Carburetor Insulator	1
70	D247616	Carburetor Assembly	1
71	D359911	Stepper Motor	1
72	D95602	Breather Tube	1
73	D91029	Stud	2
74	D94412	Fuel Line Clip	1
75	D94226	Carburetor Spacer	1
76	D245106	Oil Level Switch Assembly	1

KEY NO.	PART NO.	DESCRIPTION	QTY.
77	D242202	Push Rod Guide Plate	1
78	D92032	Screw	4
79	D241028	Cylinder Head	1
80	D91969	Bolt (M6 x 16 mm)	5
81	D242932	Air Cleaner Assembly	1
82	D94447	Fuel Line Clip	2
83	D240519	Shroud	1
84	D91864	Bolt	1
85	D536418	Flameout Wire	1
86	D245116	Amplifier	1
87	D96255	Washer	1
88	D91805	Bolt (M3 x 8 mm)	2
89	D94203	Spring Washer	2
90	D94217	Flat Washer	2
91	D91330	Bolt (M6 x 20 mm)	1
92	570358213	Pair Valve Hose	1
	Not Shown:		
	120968052	High Altitude Kit	



PARTS LIST — FIGURE E

KEY NO.	PART NO.	DESCRIPTION	QTY.
1	290991044	Inverter Module	1
2	315310001	Inverter Module Bracket Assembly	1
3	890025004	AC Cooling Fan	1
4	662979001	Bolt (M6 x 12 mm, Hex Hd.)	4
5	660764009	Screw (M4 x 46 mm, Pan Hd.)	4

