

RYOBI
Digital Inverter Generator
Item No. RYi2300BT/RYi2300BTA
Mfg. No. 090930309/090930330
Replacement Parts List

TECHTRONIC INDUSTRIES POWER EQUIPMENT, INC.

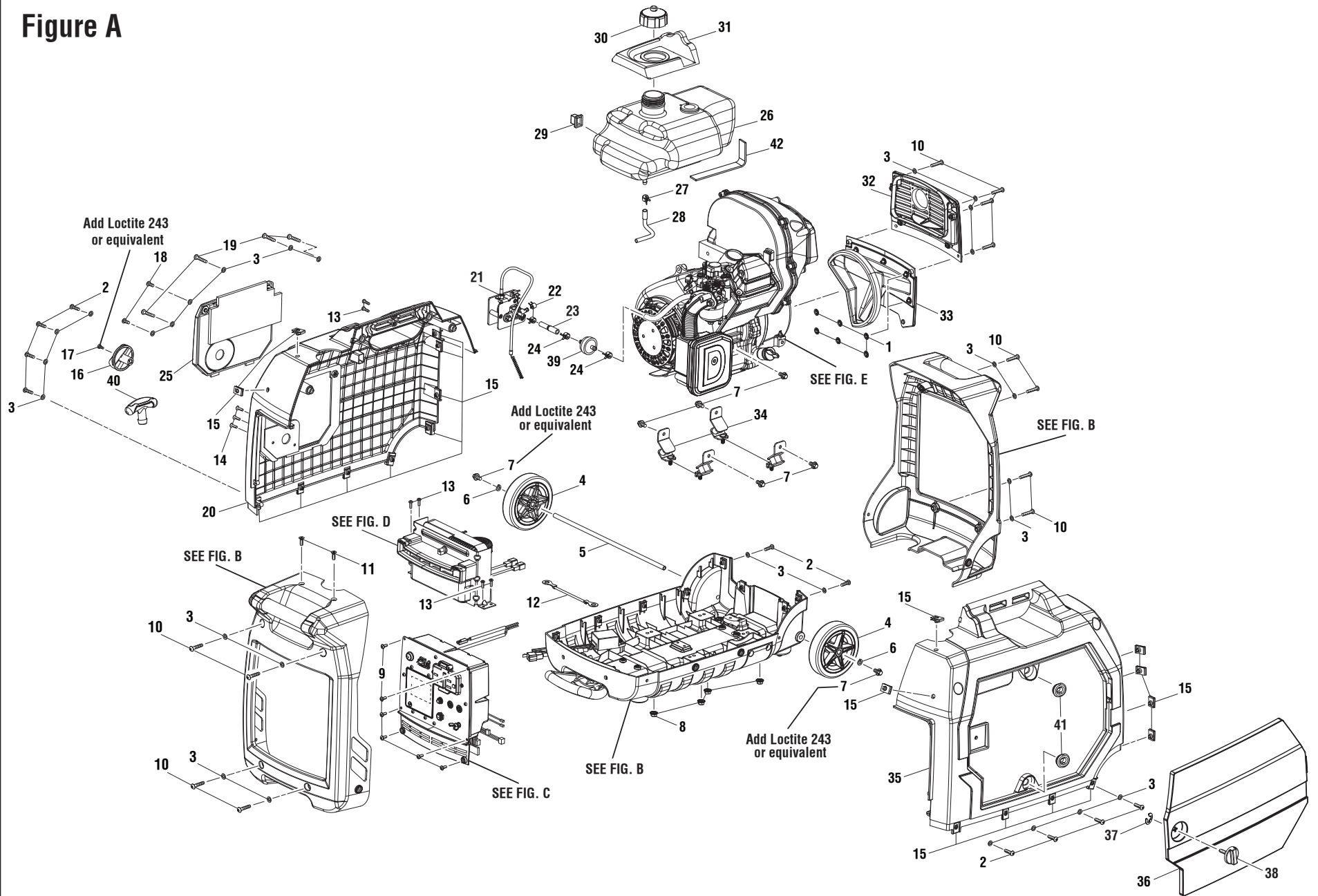
1428 Pearman Dairy Road, Anderson, SC 29625

Phone 1-800-860-4050

www.ryobitools.com

DIGITAL INVERTER GENERATOR – MODEL NUMBER RYi2300BT/RYi2300BTA

Figure A



DIGITAL INVERTER GENERATOR – MODEL NUMBER RYi2300BT/RYi2300BTA

The model number will be found on a label attached to the back cover. Always mention the model number in all correspondence regarding your **DIGITAL INVERTER GENERATOR** or when ordering parts.

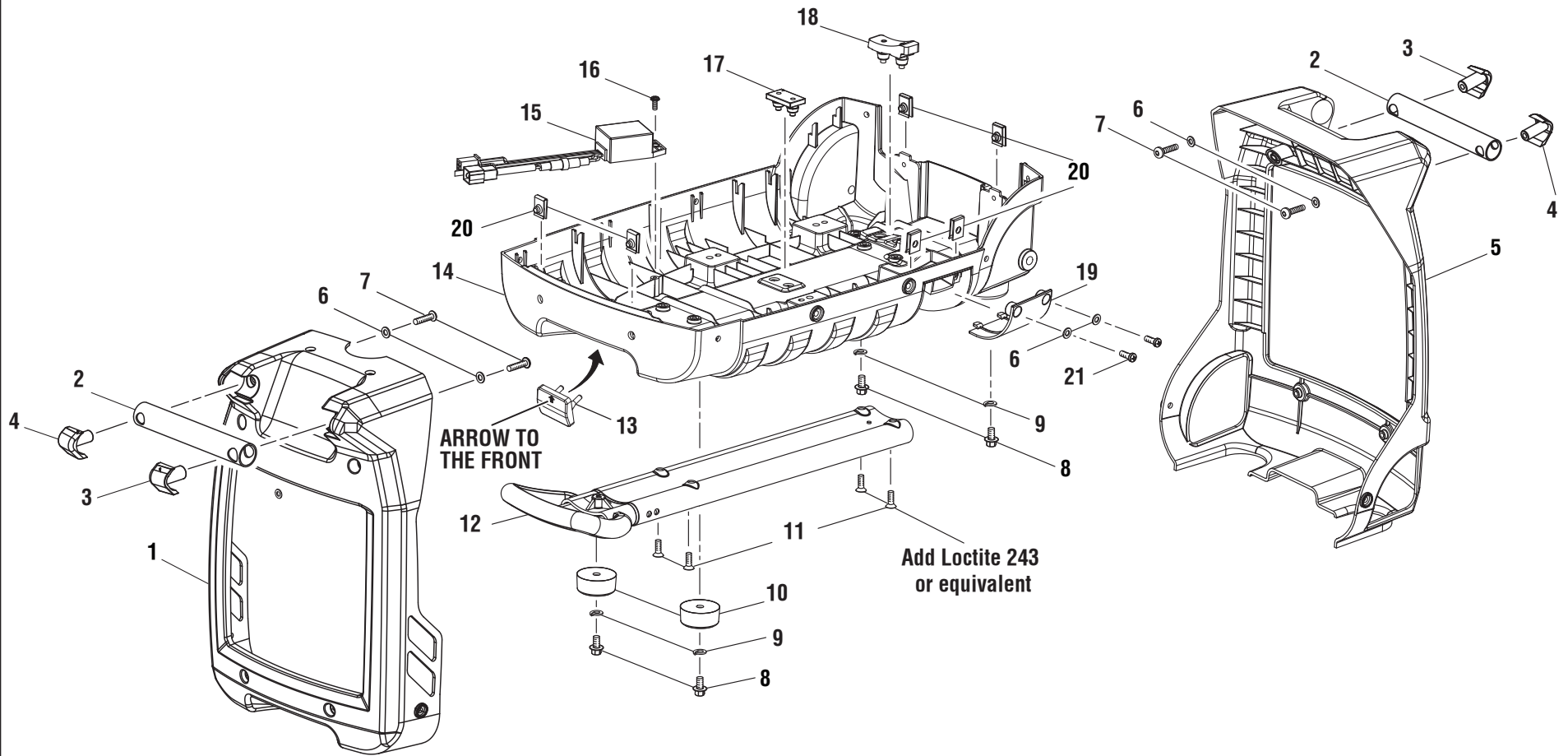
PARTS LIST – FIGURE A

KEY NO.	PART NUMBER	DESCRIPTION	QTY	KEY NO.	PART NUMBER	DESCRIPTION	QTY
1	638704006	Internal tooth washer (5 mm ID)	6	25	525297006	Starter Cover Assembly	1
2	660764010	Screw (M5 x 20 mm, Button Soc. Hd.)	10	26	310711202	Fuel System Assembly (Incl. Key Nos. 27-28)....	1
3	638128014	Washer (M5.3)	28	27	678815015	Clamp (10 mm)	1
4	310223008	Wheel	2	28	570358170	Fuel Hose (6mm and 4.5 mm).....	1
5	620599031	Axle	1	29	570356010	Fuel Tank Support.....	1
6	678012001	Lock Washer	2	30	519709007	Vented Fuel Cap	1
7	660975004	Bolt (M6 x 12 mm, Hex Hd.)	7	31	570818005	Overspill Guard	1
8	678774019	Lock Nut (M6)	4	32	524012011	Upper Exhaust Panel Assembly (Incl. Key No. 3).....	1
9	660345009	Screw w/Washer (M4 x 10 mm, T20 Torx Hd.) ...	6	33	524012012	Lower Exhaust Panel Assembly (Inc. Key No. 1)	1
10	660764011	Screw (M5 x 25 mm, Button Soc. Hd.)	12	34	679940011	Engine Isolator (45 Degree).....	4
11	660764012	Screw (M5 x 16 mm, Flat Hd.)	2	35	524003011	Right Housing Assembly (Incl. Key No. 15).....	1
12	290404012	Ground Wire.....	1	36	523430011	Maintenance Cover Assembly (Incl. Key Nos. 37-38)	1
13	660345015	Screw (M4 x 12 mm, T15 Torx Hd.)	6	37	638623008	E-Clip (5 mm Shaft).....	1
14	661864012	Screw (M4 x 16 mm, Flat Hd.)	3	38	525361009	Lock Knob	1
15	678900014	U-Clip (M5).....	20	39	308733008	Fuel Filter	1
16	525361008	Control Knob.....	1	40	524015004	Recoil Handle.....	1
17	661346001	Screw (M4 x 10 mm).....	1	41	570766011	Grommet.....	2
18	660764007	Screw (M5 x 12 mm, Button Soc. Hd.)	2	42	560878004	Rubber Pad.....	1
19	660345018	Screw (M5 x 30 mm, T25 Torx Pan Hd.)	4				
20	524001011	Left Housing Assembly (Incl. Key No. 15)	1				
21	310437020	Engine Start/Stop Mechanism Assembly (Inc. One of Key 22 and Key 23)	1				
22	678409008	Fuel Hose Clamp (3/8 in.)	2				
23	570358171	Fuel Hose (4.5 mm and 6 mm).....	1				
24	678815010	Fuel Hose Clamp (9.5 mm)	2				
					Not Shown:		
					120694001	Accessory Kit	
					991000963	Operator's Manual	

NOTE A: OWT Industries, Inc., will not provide engines as replacement parts. Engines are covered through the engine manufacturer's warranty. Consult the accompanying engine manual or contact our service department for assistance.

DIGITAL INVERTER GENERATOR – MODEL NUMBER RYi2300BT/RYi2300BTA

Figure B



DIGITAL INVERTER GENERATOR – MODEL NUMBER RYi2300BT/RYi2300BTA

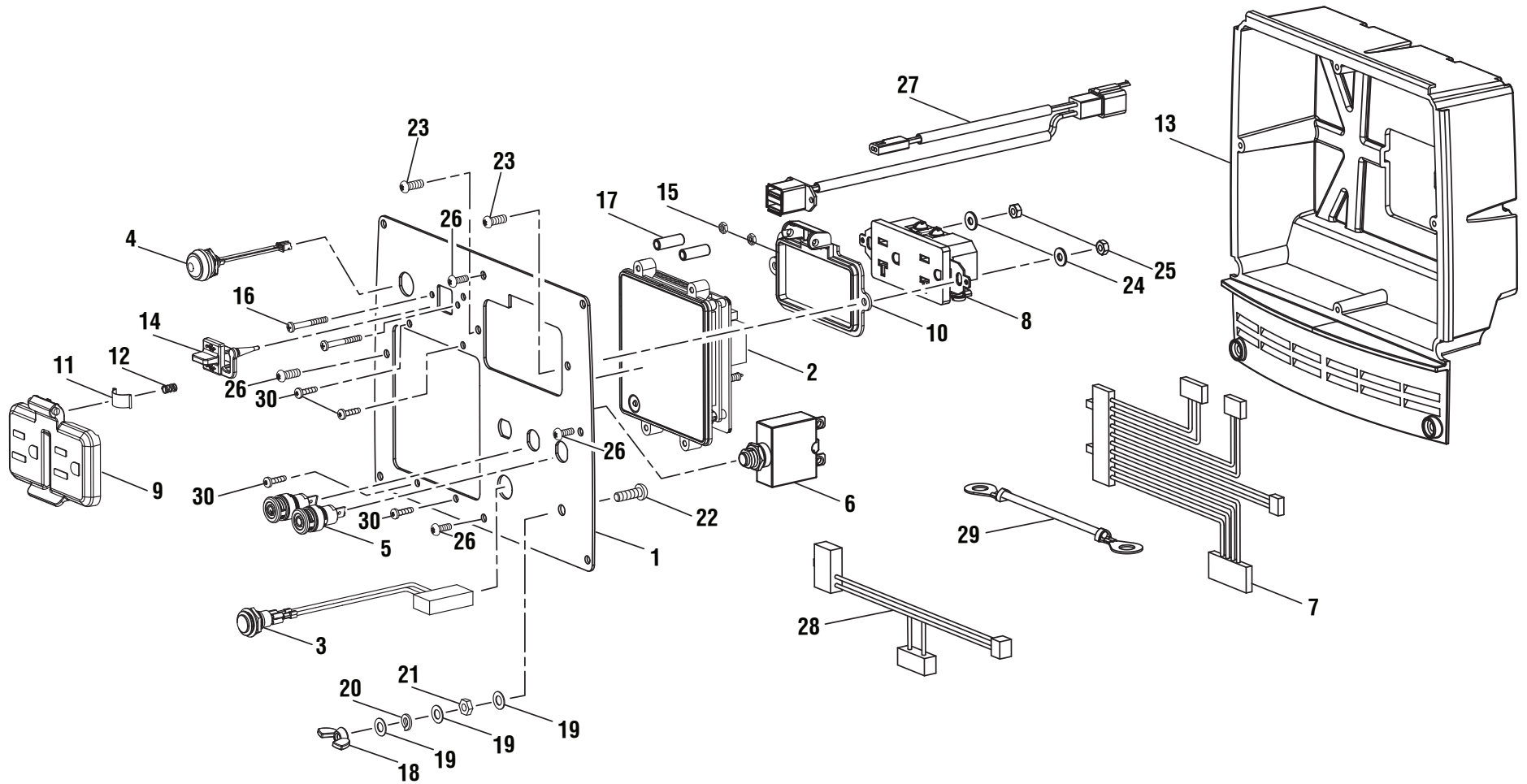
The model number will be found on a label attached to the back cover. Always mention the model number in all correspondence regarding your **DIGITAL INVERTER GENERATOR** or when ordering parts.

PARTS LIST – FIGURE B

KEY NO.	PART NUMBER	DESCRIPTION	QTY
1	518728006	Front Cover	1
2	638701035	Handle Tube	2
3	525361010	Handle Cap (Right)	2
4	525361011	Handle Cap (Left)	2
5	524012007	Back Cover.....	1
6	638128014	Washer (M5.3)	6
7	660764010	Screw (M5 x 20 mm, Button Soc. Hd.)	4
8	660975004	Bolt (M6 x 12 mm, Hex Hd.).....	4
9	678012001	Lock Washer	4
10	561454006	Isolator Foot	2
11	660764012	Screw (M5 x 16 mm, Flat Hd.).....	4
12	308790086	Handle Assembly	1
13	570712009	Handle Bumper	1
14	525296003	Bottom Base	1
15	290433009	Regulator (AC to DC).....	1
16	662028001	Flange Washer.....	1
17	570712007	Engine Support Isolator (Front)	1
18	570712008	Engine Support Isolator (Back)	1
19	519813032	Oil Drain Door.....	1
20	678900014	U-Clip (M5)	6
21	660342013	Screw (M5 x 12 mm, Phillips Hd.)	2

DIGITAL INVERTER GENERATOR – MODEL NUMBER RYi2300BT/RYi2300BTA

Figure C



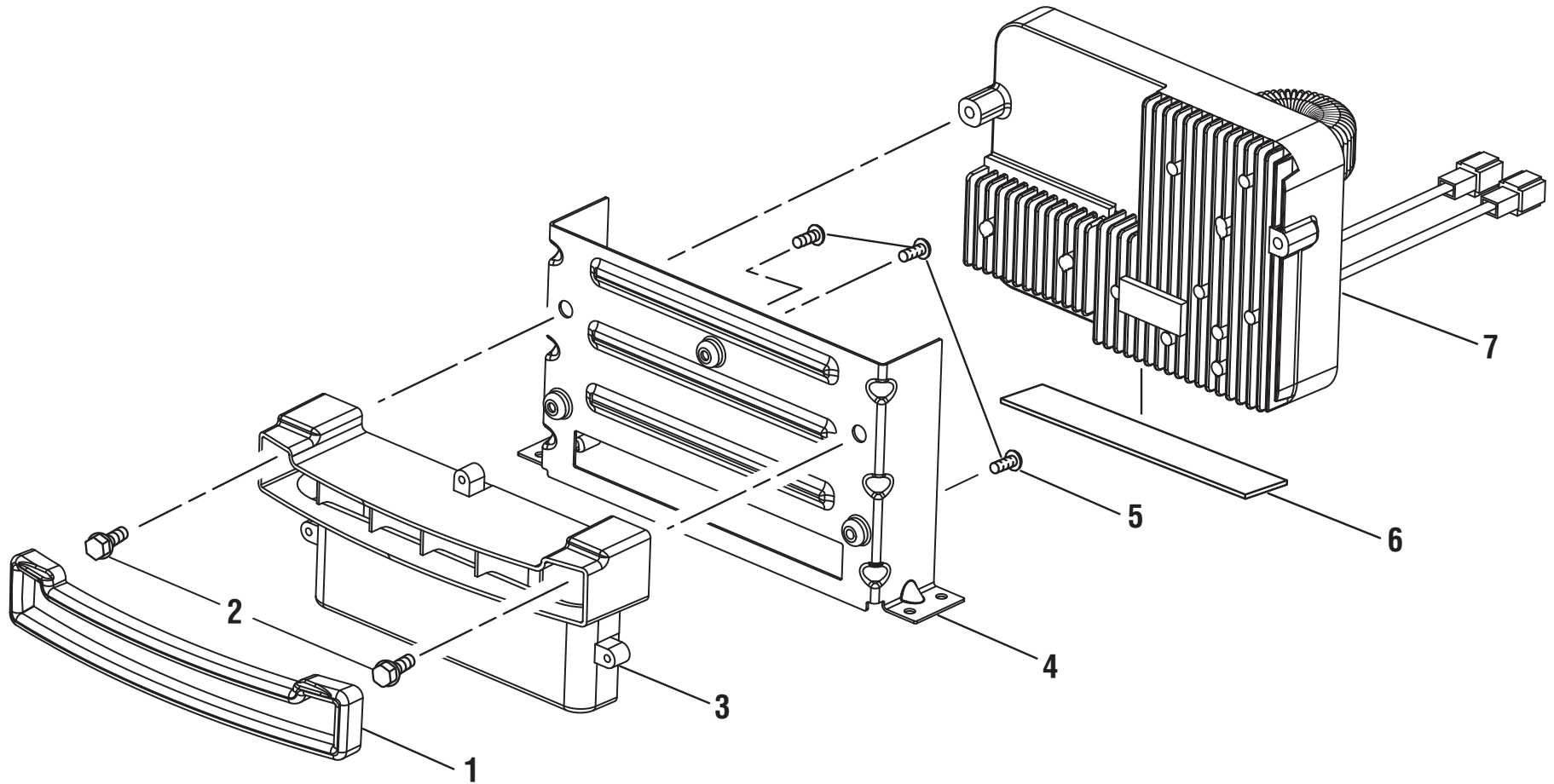
DIGITAL INVERTER GENERATOR – MODEL NUMBER RYi2300BT/RYi2300BTA

The model number will be found on a label attached to the back cover. Always mention the model number in all correspondence regarding your **DIGITAL INVERTER GENERATOR** or when ordering parts.

PARTS LIST – FIGURE C

KEY NO.	PART NUMBER	DESCRIPTION	QTY	KEY NO.	PART NUMBER	DESCRIPTION	QTY
1	638700039	Faceplate.....	1	16	662111001	Screw (M3)	2
2	290432012	GENControl™ Display Assembly.....	1	17	662112001	Spacer (17.2 mm).....	2
3	760945003	Overload Reset Button.....	1	18	678016009	Wing Nut (M5)	1
4	760945004	Auto Idle Button	1	19	638623005	Washer (ID5.3 x OD10 x 0.5t).....	3
5	870932002	Connector (Black).....	2	20	678343003	Lock Washer (ID5 x OD9 x 1.3t).....	1
6	780350007	Circuit Breaker (20A)	1	21	678016008	Hex Nut (M5)	1
7	290514014	Wire Harness (GENControl™ Display)	1	22	660976002	Bolt (M5 x 16 mm, Pan Hd.).....	1
8	290400017	120 Volt Duplex Receptacle (20 Amp).....	1	23	660345025	Bolt (M4 x 10 mm, T15 Torx Drive Hd.).....	2
9	570412014	Movable Outlet Cover	1	24	690969002	Flat Washer (ID4.2 x OD10).....	2
10	570412015	Fixed Outlet Cover	1	25	661514002	Hex Nut (M4)	2
11	570412012	Clip	1	26	660901004	Screw (#6-20 x 3/8 in., T15 Torx Pan Hd.)	4
12	679449001	Compression Spring	1	27	290435037	Regulator Wire Harness w/ USB Ports	1
13	519707014	Electrical Panel Housing	1	28	290514013	Internal Wire Assembly.....	1
14	563684002	Dual USB Cover	1	29	290404011	Ground Wire	1
15	673288001	Nut (M3).....	2	30	660975016	Screw (M3.1 x 10 mm, Torx Hd.).....	4

Figure D



DIGITAL INVERTER GENERATOR – MODEL NUMBER RYi2300BT/RYi2300BTA

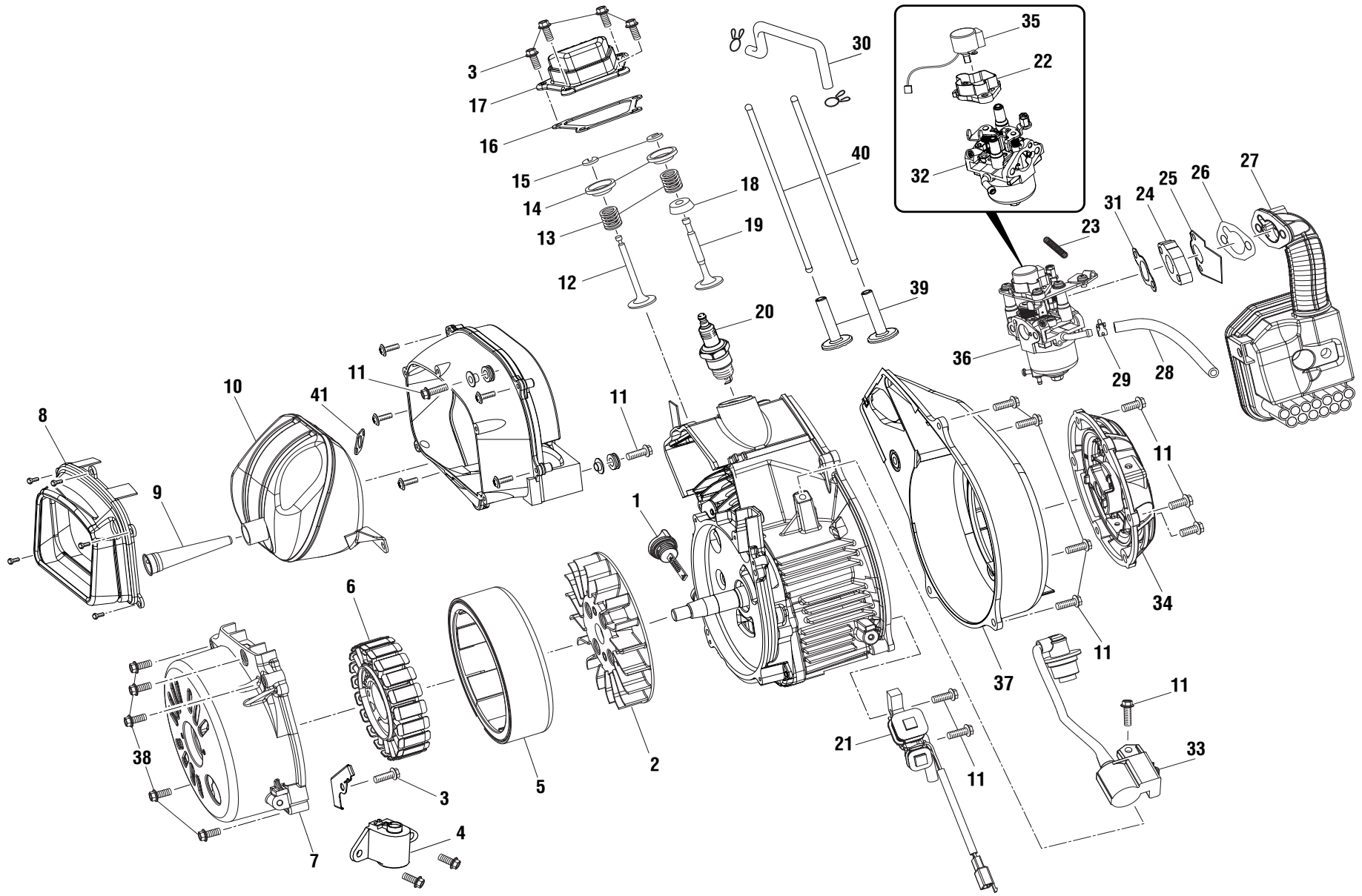
The model number will be found on a label attached to the back cover. Always mention the model number in all correspondence regarding your **DIGITAL INVERTER GENERATOR** or when ordering parts.

PARTS LIST – FIGURE D

KEY NO.	PART NUMBER	DESCRIPTION	QTY
1	570818006	Rubber Trim.....	1
2	660975004	Bolt (M6 x 12 mm, Hex Hd.).....	2
3	901663009	Baffle (Engine Intake).....	1
4	901663011	Bracket.....	1
5	660345009	Screw w/Washer (M4 x 10 mm, T20 Torx Hd.).....	3
6	570630005	Rubber Pad	1
7	290991015	Inverter Module	1

DIGITAL INVERTER GENERATOR – MODEL NUMBER RYi2300BT/RYi2300BTA

Figure E



Not all parts shown on the exploded view are available. Some parts are shown to identify position and location of parts that are available.

DIGITAL INVERTER GENERATOR – MODEL NUMBER RYi2300BT/RYi2300BTA

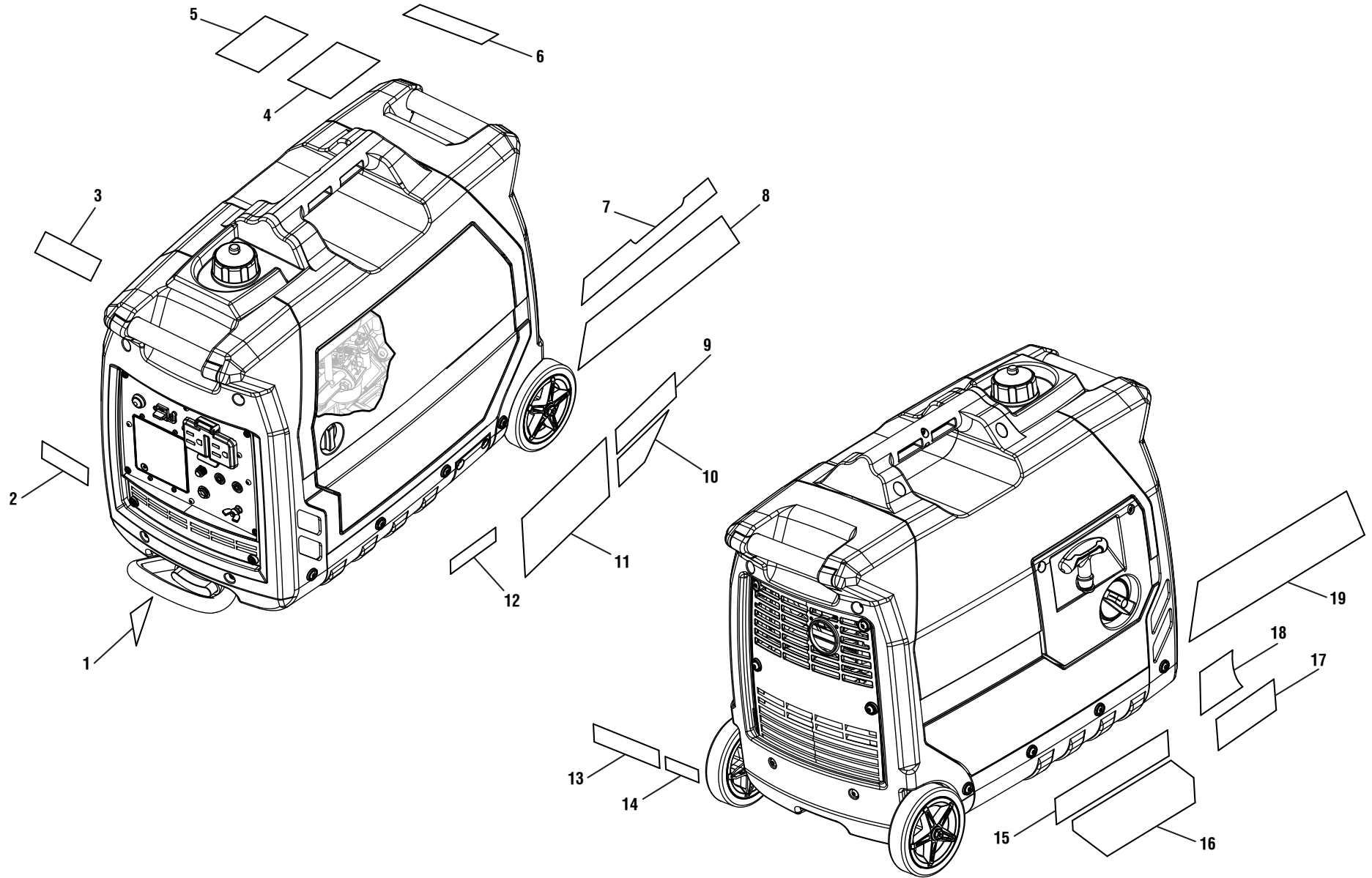
The model number will be found on a label attached to the back cover. Always mention the model number in all correspondence regarding your **DIGITAL INVERTER GENERATOR** or when ordering parts.

PARTS LIST – FIGURE E

KEY NO.	PART NUMBER	DESCRIPTION	QTY	KEY NO.	PART NUMBER	DESCRIPTION	QTY
1	310302005	Oil Dipstick	1	23	679449002	Compression Spring	1
2	310757003	Fan	1	24	202301	Thermal Insulation Seat (Carburator)	1
3	91325	Bolt (M6 x 12 mm)	5	25	96121	Paper Gasket	1
4	205101	Low Oil Sensor	1	26	96009	Air Box Gasket	1
5	310771053	Rotor	1	27	518248005	Air Filter Assembly	1
6	310772054	Stator	1	28	570358172	Fuel Hose (6 mm)	1
7	678289012	Alternator Cover	1	29	678409003	Fuel Line Clamp (7/16 in.)	1
8	638497046	Muffler Heat Shield	1	30	95614	Breather	1
9	638147013	Spark Arrestor	1	31	96007	Gasket (Connection Block)	1
10	308990055	Muffler	1	32	308054124	Carburetor	1
11	91329	Bolt (M6 x 16 mm)	12	33	850202005	Ignition Coil	1
12	205901	Exhaust Valve	1	34	636996002	Engine Recoil	1
13	206001	Valve Spring	2	35	230404002	Stepper Motor	1
14	201801	Plate	2	36	308054123	Carburetor Assembly (Incl. Key Nos. 22, 32 and 35)	1
15	200801	Valve Lock Clamp	2	37	204901	Engine Cover	1
16	96006	Gasket (Over Head Cover)	1	38	91334	Bolt (M6 x 30 mm)	5
17	201101	Over Head Cover	1	39	206101	Lifter Valve	2
18	201802	Inlet Valve Spring Seat	1	40	201901	Pushing Rod	2
19	201701	Inlet Valve	1	41	96008	Gasket (Muffler)	1
20	97101	* Spark Plug	1				
21	760504020	RPM Sensor	1				
22	524021005	Governor Motor Housing	1				

* STANDARD HARDWARE ITEM – MAY BE PURCHASED LOCALLY

Figure F



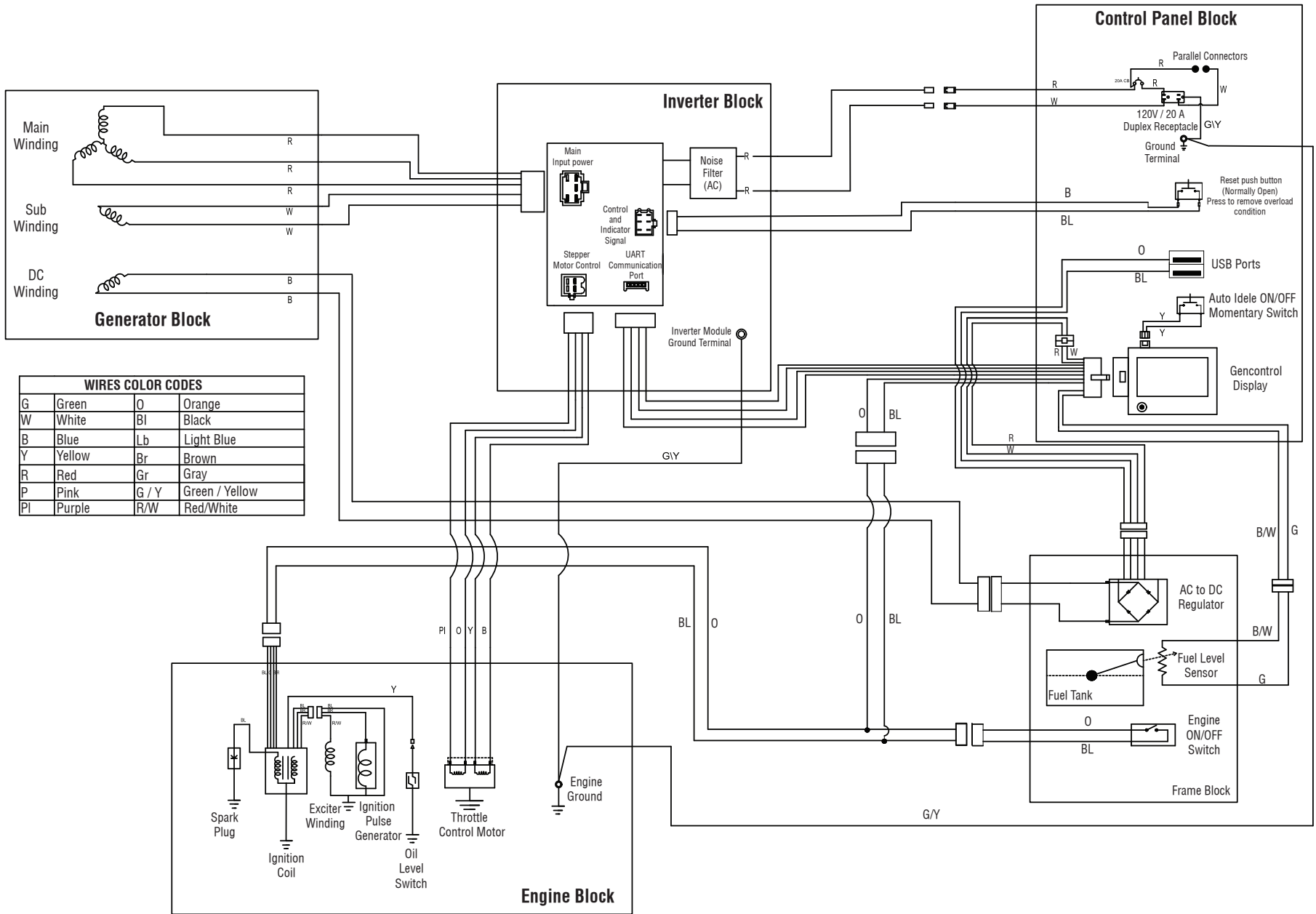
DIGITAL INVERTER GENERATOR – MODEL NUMBER RYi2300BT/RYi2300BTA

The model number will be found on a label attached to the back cover. Always mention the model number in all correspondence regarding your **DIGITAL INVERTER GENERATOR** or when ordering parts.

PARTS LIST – FIGURE F

KEY NO.	PART NUMBER	DESCRIPTION	QTY
1	940758016	Handle Release Label	1
2	940705362	Logo Label	1
3	940782004	Fuel Stabilizer Label.....	1
4	940515017	CPSC Label.....	1
5	940654323	Danger Label.....	1
6	940513030	Ground Warning Label (En/Fr).....	1
7	940974020	Fire Distance Label.....	1
8	940779186	Performance Label (Maintenance Door)	1
9	941486008	Inquiries Label	1
10	940708028	Lubricant Label	1
11	940779187	Maintenance Door Label	1
12	940911003	Maintenance Label.....	1
13	940947025	Combustion Label.....	1
14	940680086	Hot Surface Label	1
15	940617178	Start Label.....	1
16	941008041	Gen Control/Bluetooth Label	1
17	940705368	Easy Start Logo Label.....	1
18	940647139	Choke Label	1
19	940779184	Performance Label.....	1

DIGITAL INVERTER GENERATOR – MODEL NUMBER RYi2300BT/RYi2300BTA



Wiring Diagram