

RYi2300BT/RYi2300BTA/RYi2300VNM QUICK REFERENCE GUIDE

⚠ WARNING:

This Quick Reference Guide is not a substitute for reading the operator's manual. To reduce the risk of injury or death, user must read and understand operator's manual before using this product. All page references refer to the operator's manual.

IMPORTANT!

⚠ WARNING:

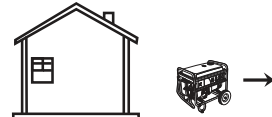
Do not connect to a building's electrical system unless the generator and transfer switch have been properly installed and the electrical output has been verified by a qualified electrician. The connection must isolate the generator power from utility power and must comply with all applicable laws and electrical codes.

⚠ DANGER

Using a generator indoors **CAN KILL YOU IN MINUTES**. Generator exhaust contains carbon monoxide. This is a poison you cannot see or smell.



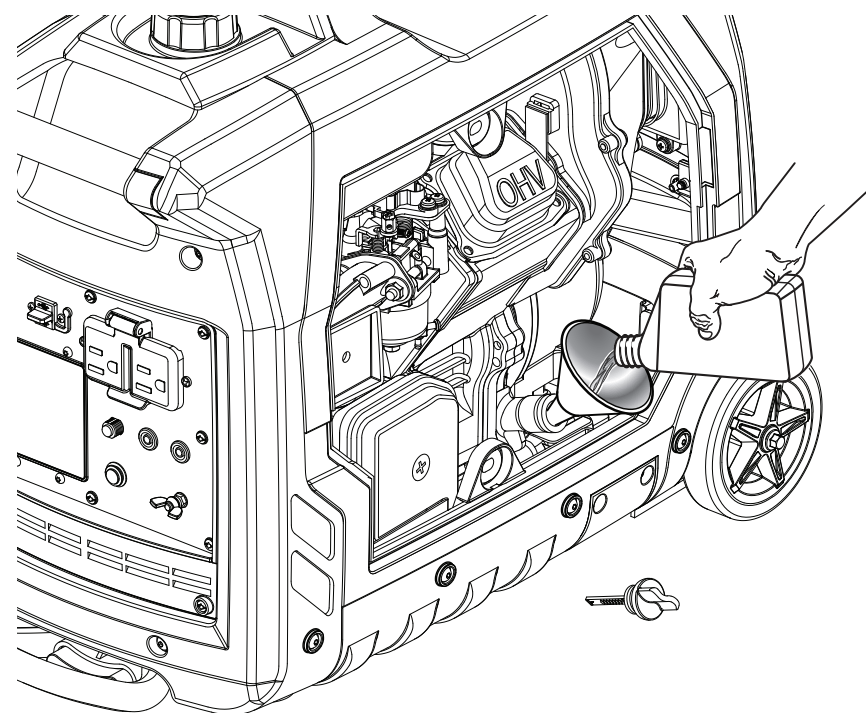
NEVER use inside a home or garage, **EVEN IF** doors and windows are open.



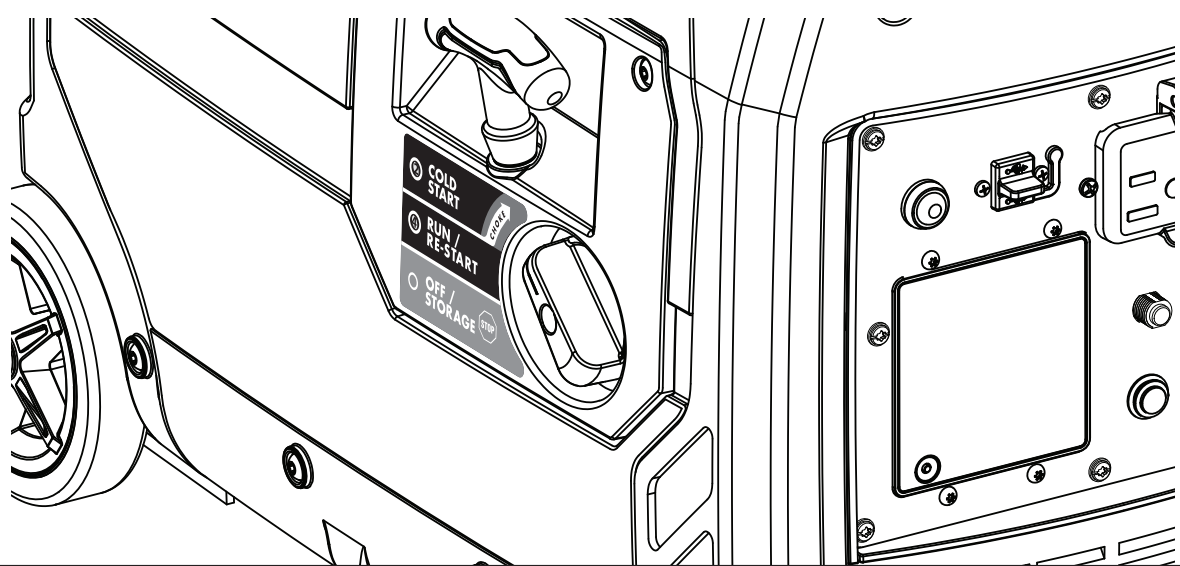
Only use **OUTSIDE** and far away from windows, doors, and vents.

FIRST TIME STARTING THE UNIT

- 1 Add entire bottle of lubricant provided to the generator (see page 13).



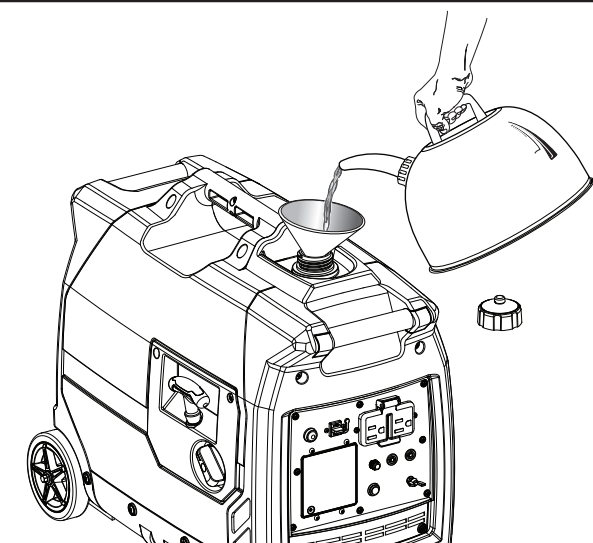
- 2 Place Easy Start dial to the **COLD START** (top) position (see page 14).



- 3 Add fuel (see page 13).

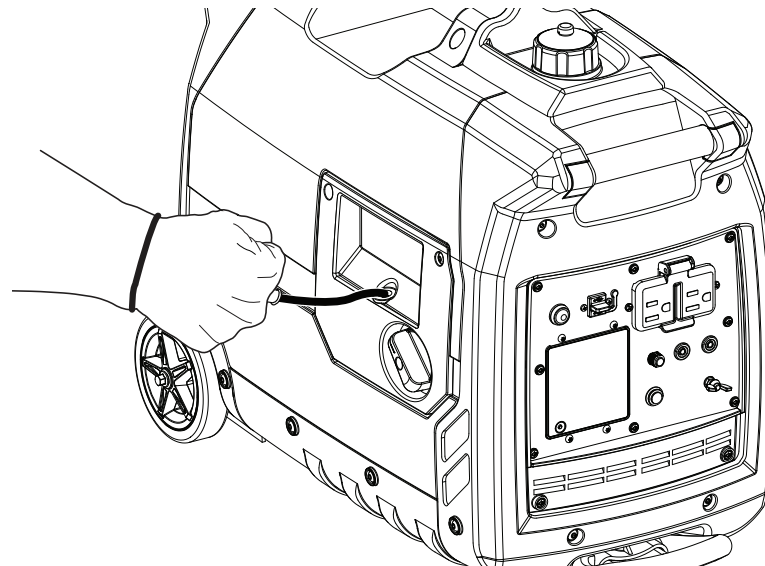
NOTICE:

Do not use **E15** or **E85** fuel in this product. It is a violation of federal law and will damage the unit and void your warranty. Only use unleaded gasoline containing up to 10% ethanol.

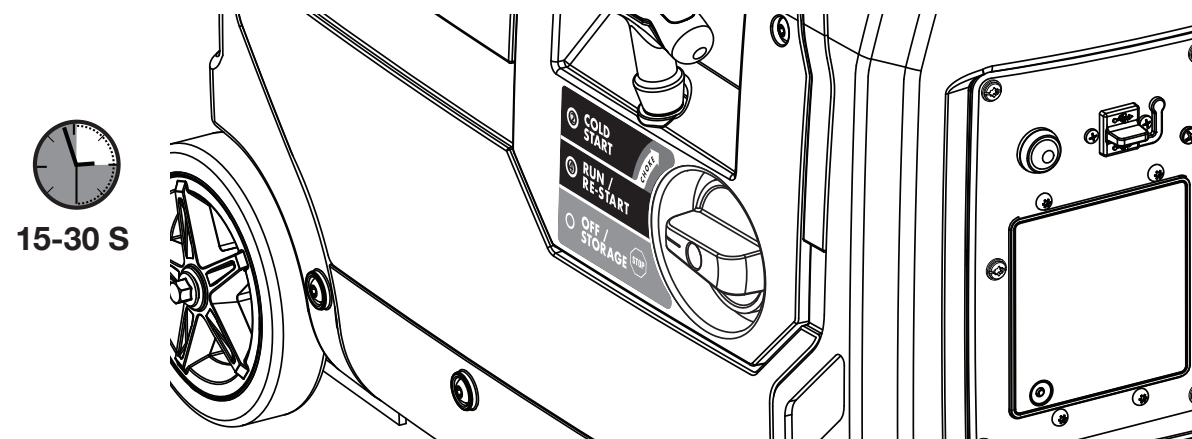


FIRST TIME STARTING THE UNIT (CONTINUED)

- 4 Pull the starter grip until the engine runs (see page 14).

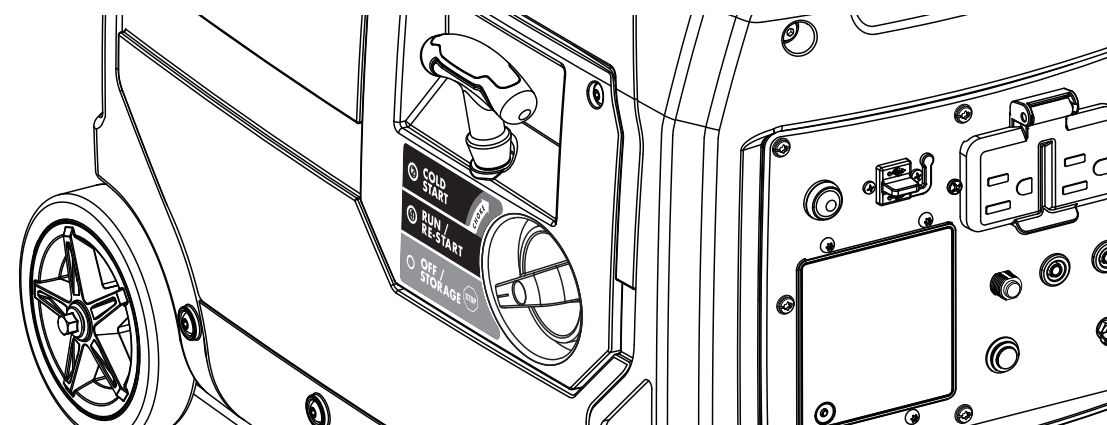


- 5 Allow engine to run for 15-30 seconds, then move Easy Start dial to **RUN/RE-START** (middle) position (see page 14).



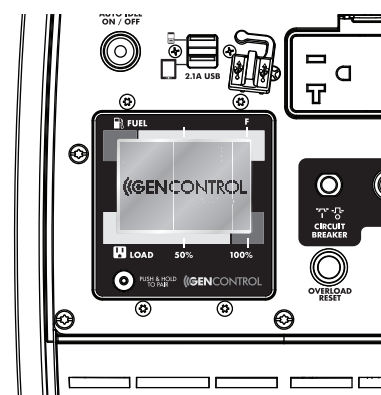
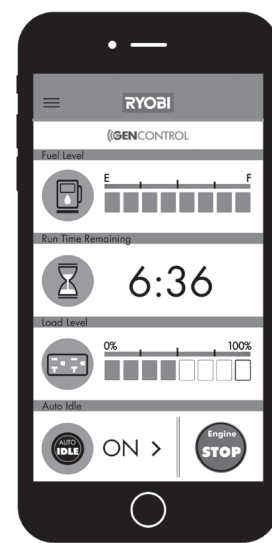
STOPPING THE UNIT

- 1 Place Easy Start dial to the **OFF/STORAGE** (bottom) position (see page 14).



GENCONTROL™ APP WITH BLUETOOTH®

- 1 From the app store on your iOS or Android Bluetooth® enabled device, locate and install the **RYOBI GENCONTROL™** app. See page 14 for more details.



USING THE GENERATOR

- 1 Connect devices to be powered by generator by following the steps below (see pages 8-9).
 - Make sure the generator can supply enough continuous (running) and surge (starting) watts for the items you will power at the same time. See page 9 for how to calculate total amount of power needed.
 - Start the generator with nothing connected.
 - Plug in and turn on the first load, preferably the largest load you have.
 - Permit the generator output to stabilize (engine runs smoothly and attached device operates properly).
 - Plug in and turn on the next load.
 - Again, permit the generator to stabilize.
 - Repeat previous two steps for each additional load.

IMPORTANT: Never add more loads than the generator capacity. Take special care to consider surge loads in generator capacity. (See pages 8-9.)

STORING THE UNIT

- 1 When preparing to store the generator, allow the unit to cool for 30 minutes, then follow the guidelines listed on page 17. Always store the generator standing on its feet. Never store the unit on its side or in a vertical position.

TROUBLESHOOTING

PROBLEM	POSSIBLE CAUSE	SOLUTION
Engine will not start.	Easy Start dial is in OFF/STORAGE or RUN/RE-START position. No fuel. Stale gasoline or water in gasoline. Lubricant level is low. Spark plug faulty, fouled, or improperly gapped. Engine stored without treating or draining gasoline, or refueled with bad gasoline. Dirty fuel filter.	Move Easy Start dial to COLD START position. Fill fuel tank. Drain entire system and refill with fresh fuel. Engine is equipped with Low Oil Shutoff. If engine lubricant level is low, it must be filled before unit will start. Check engine lubricant level and fill, if necessary. Replace spark plug. Drain fuel and carburetor. Refuel with fresh gasoline. Contact a qualified service center.
Engine hard to start.	Water in gasoline. Weak spark at spark plug.	Drain entire system and refill with fresh fuel. Replace spark plug or contact a qualified service center.
Engine lacks power.	Engine stored without treating or draining gasoline, or refueled with bad gasoline. Dirty air filter.	Drain fuel and carburetor. Refuel with fresh gasoline. If problem continues, contact a qualified service center. Clean or replace as needed.
AC receptacle does not work.	Item plugged in is defective. Generator is overloaded.	Try a different item. Remove loads and press the reset button.

If problem persists after trying the above solutions, contact customer service or a qualified service center for assistance.

NOTICE:

As the equipment owner, you are responsible for the performance of the required maintenance listed in the *Maintenance* section. It is recommended that you retain all receipts covering maintenance on your equipment. Neglecting or failing to perform the required maintenance may increase emissions, decrease fuel efficiency, degrade performance, cause irreversible engine damage and/or void your warranty.

Make the most of your purchase! Go to www.ryobitools.com and register your new tool online. For questions about operating or maintaining your product, please call 1-800-860-4050.

RYOBI