



OPERATOR'S MANUAL

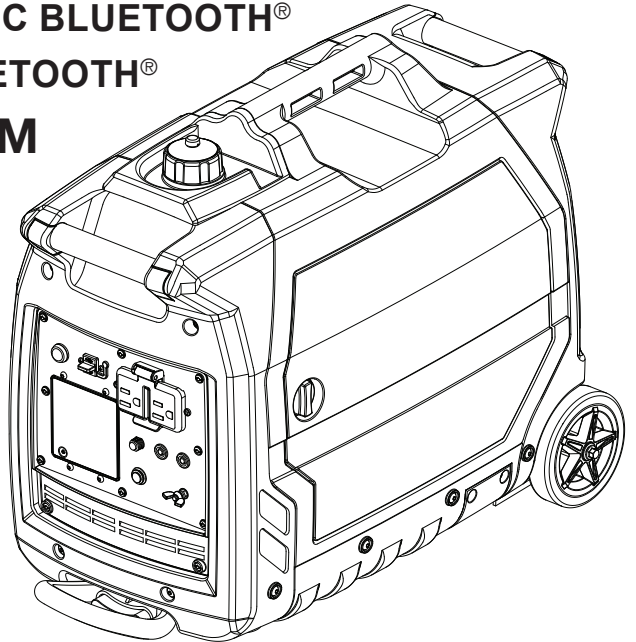
MANUEL D'UTILISATION
MANUAL DEL OPERADOR

DIGITAL BLUETOOTH® INVERTER GENERATOR

CONVERTISSEUR POUR GÉNÉRATRICE AVEC BLUETOOTH®

GENERADOR INVERSOR DIGITAL CON BLUETOOTH®

RYi2300BT/RYi2300BTA/RYi2300VNM



NOTICE	AVIS	AVISO
<p>Do not use E15 or E85 fuel in this product. It is a violation of federal law and will damage the unit and void your warranty. Only use unleaded gasoline containing up to 10% ethanol.</p>		
<p>Ne pas utiliser d'essence E15 ou E85 dans ce produit. Une telle utilisation représente une violation de la loi fédérale et endommagera l'appareil et annulera la garantie. Utiliser seulement de l'essence sans plomb ne contenant pas plus de 10 % d'éthanol.</p>		
<p>No utilice combustibles E15 o E85 con este producto. Esto constituye una violación a la ley federal, dañará la unidad y anulará la garantía. Utilice únicamente gasolina sin plomo que contiene hasta 10% de etanol.</p>		

NEUTRAL FLOATING
FLOTTANTE NEUTRE / NEUTRAL DE FLOTACIÓN

TABLE OF CONTENTS

- Important Safety Instructions.....3-4
- Specific Safety Rules 4
- Symbols5-7
- Electrical8-9
- Features 10
- Assembly 11
- Operation12-14
- Maintenance14-17
- Troubleshooting 18
- Parts Ordering/Service..... Back Page

TABLE DES MATIÈRES

- Instructions importantes concernant la sécurité3-4
- Règles de sécurité particulières 4
- Symboles5-7
- Caractéristiques électriques8-9
- Caractéristiques.....10-11
- Assemblage 11
- Utilisation12-15
- Entretien.....16-19
- Dépannage.....20
- Commande de pièces / réparation.....Page arrière

ÍNDICE DE CONTENIDO

- Instrucciones de seguridad importantes3-4
- Reglas de seguridad específicas 4
- Símbolos5-7
- Aspectos eléctricos8-9
- Características10-11
- Armado 11
- Funcionamiento12-15
- Mantenimiento16-19
- Corrección de problemas 20
- Pedidos de piezas/ servicio..... Pág. posterior

WARNING: To reduce the risk of injury, the user must read and understand the operator's manual before using this product.

AVERTISSEMENT : Pour réduire les risques de blessures, l'utilisateur doit lire et veiller à bien comprendre le manuel d'utilisation avant d'employer ce produit.

ADVERTENCIA: Para reducir el riesgo de lesiones, el usuario debe leer y comprender el manual del operador antes de usar este producto.

SAVE THIS MANUAL FOR FUTURE REFERENCE

CONSERVER CE MANUEL POUR FUTURE RÉFÉRENCE

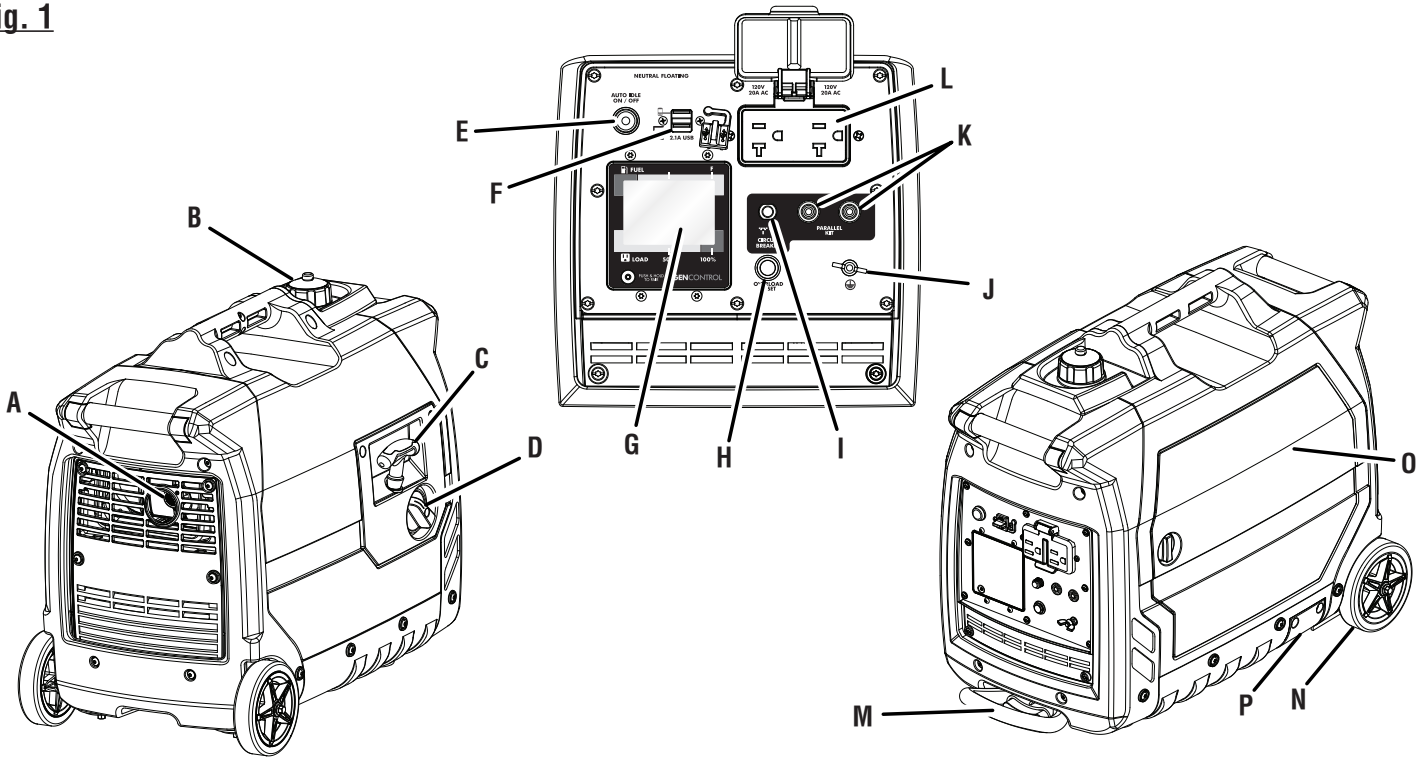
GUARDE ESTE MANUAL PARA FUTURAS CONSULTAS

See this fold-out section for all of the figures referenced in the operator's manual.

Consulter l'encart à volets afin d'examiner toutes les figures mentionnées dans le manuel d'utilisation.

Consulte esta sección desplegable para ver todas las figuras a las que se hace referencia en el manual del operador.

Fig. 1

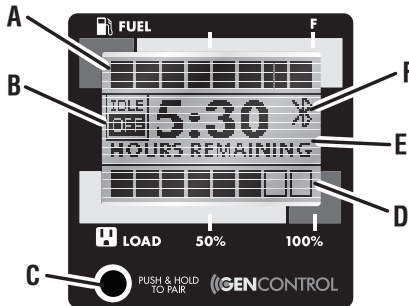


- A - Muffler with spark arrestor screen (silencieux avec écran pare-étincelles, silenciador con pantalla parachispas)
- B - Vented fuel cap (bouchon de carburant exhalé, tapa del combustible ventilación)
- C - Starter grip and rope (poignée du lanceur et corde, mango del arrancador y cuerda)
- D - Easy start dial (démarrage facile cadran, arranque fácil selector)
- E - Auto idle switch (mode de marche au ralenti automatique, ralenti automático)
- F - USB Ports (port USB, puerto USB)

- G - GENControl™ display (affichage GENControl™, pantalla GENControl™)
- H - Overload reset button (bouton de réarmement manuel, botón de reajuste manual)
- I - 20 amp AC circuit breaker (20 A disjoncteur de c.a. alternatif; 20 A disyuntor de circuito de c.a.)
- J - Ground terminal (borne de terre, terminal de conexión a tierra)
- K - Parallel kit terminal (ensemble pour borne négative en parallèle, terminal negativo de juego paralelo)

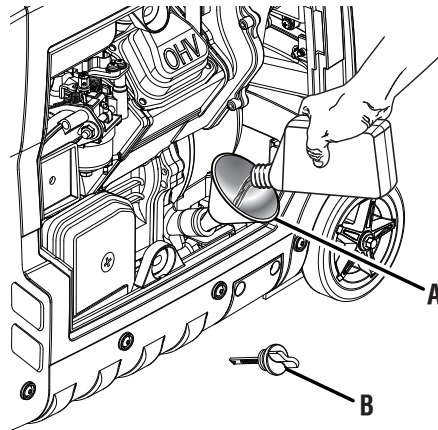
- L - 120 volt AC 20 Amp receptacles (prises 120 V c.a. 20 A, 120 V de ca 20 A receptáculos)
- M - Retractable handle (poignée rétractable, mango retráctil)
- N - Wheel (roue, rueda)
- O - Engine cover (couverture de moteur, cobertura de motor)
- P - Oil drain cover (couvercle de vidange d'huile, cubierta de drenaje de aceite)

Fig. 2



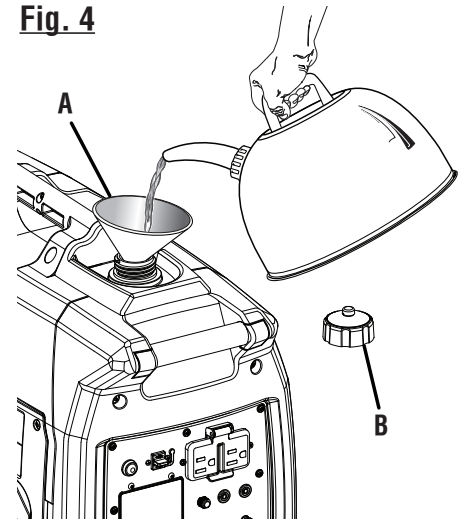
- A - Fuel level indicator (indicateur du niveau de carburant, indicador de nivel de combustible)
- B - Auto idle indicator (indicateur de ralenti automatique, indicador de estado inactivo automático)
- C - **Bluetooth®** pairing button (bouton de jumelage **Bluetooth®**, botón de conexión **Bluetooth®**)
- D - Load level indicator (indicateur du niveau de charge, indicador de nivel de carga)
- E - Run time remaining (temps de fonctionnement restant, tiempo restante de funcionamiento)
- F - **Bluetooth®** connection indicator (indicateur de connexion **Bluetooth®**, indicador de conexión **Bluetooth®**)

Fig. 3



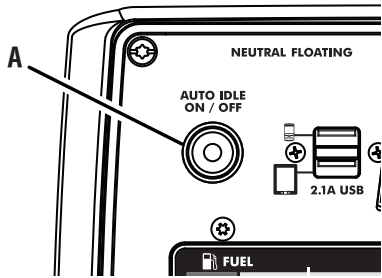
- A - Funnel (entonnoir, embudo)
- B - Oil cap/dipstick (bouchon / jauge d'huile, tapa de relleno de aceite/varilla medidora de aceite)

Fig. 4



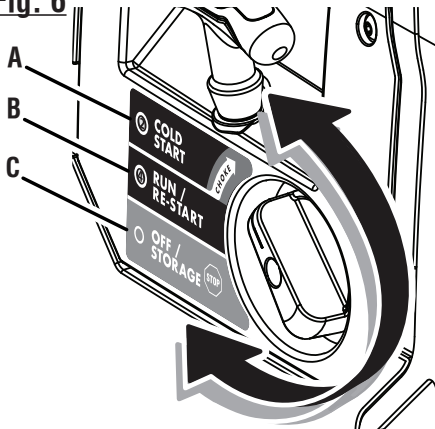
- A - Funnel (entonnoir, embudo)
- B - Fuel cap (bouchon du réservoir bouchon du réservoir, tapa del tanque de combustible)

Fig. 5



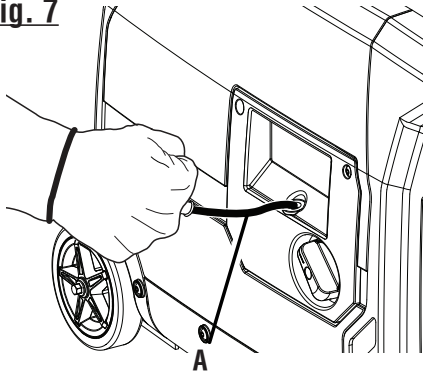
A - Auto idle button (mode de marche au ralenti automatique, interruptor de ralenti automático)

Fig. 6



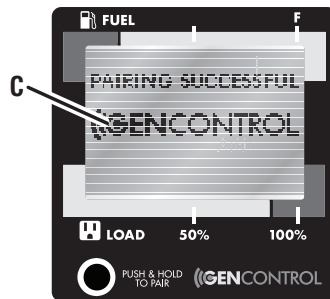
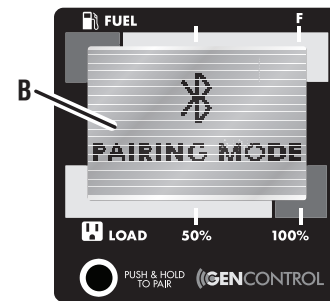
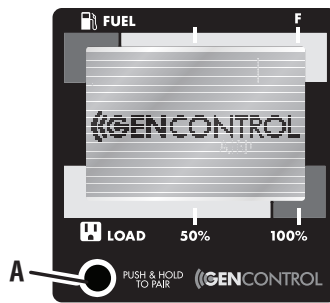
- A - Easy start dial in COLD START (CHOKE) position [démarrage facile cadran en position COLD START, CHOKE (DÉMARRER À FROID, VOLET DE DÉPART), arranque fácil selector en la posición COLD START (CHOKE) (ARRANQUE EN FRÍO CEBADOR)]
- B - Easy start dial in RUN/RE-START position [démarrage facile cadran en position RUN/RE-START (DÉMARRER/REDÉMARRER), arranque fácil selector en la posición RUN/RE-START (FUNCIONAMIENTO/VOLVER A ARRANCAR)]
- C - Easy start dial in OFF/STORAGE position [démarrage facile cadran en position OFF/STORAGE (ARRÊT/ENTREPOSAGE), arranque fácil selector en la posición OFF/STORAGE (APAGADO/ALMACENAMIENTO)]

Fig. 7



A - Starter grip and rope (poignée du lanceur et corde, mango del arrancador y cuerda)

Fig. 8

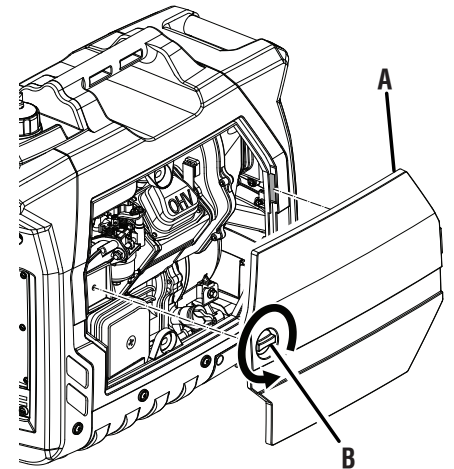


- A - Bluetooth® pairing button (bouton de jumelage Bluetooth®, botón de conexión Bluetooth®)
- B - Pairing mode (mode jumelage, modo de conexión)
- C - Pairing successful (jumelage réussi, conexión correcta)

Fig. 9

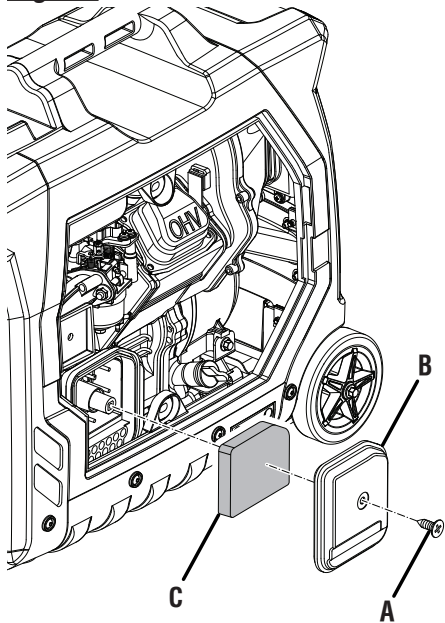


Fig. 10



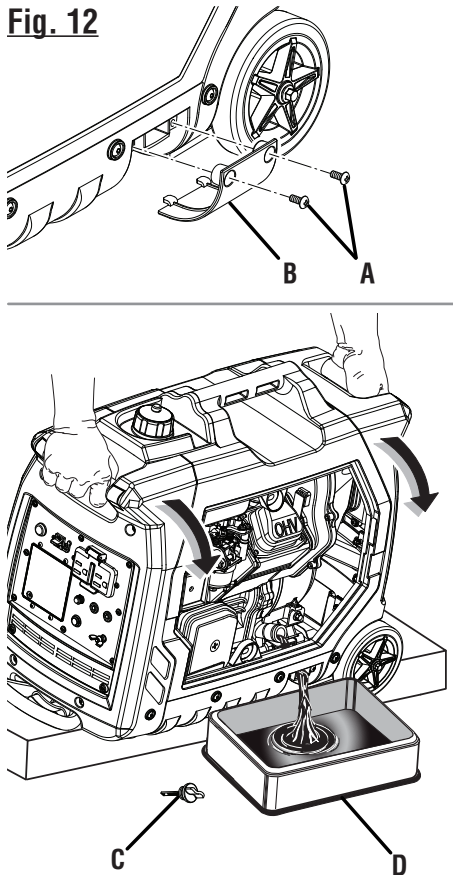
- A - Engine cover (couverture de moteur, cobertura de motor)
- B - Knob (bouton, perilla)

Fig. 11



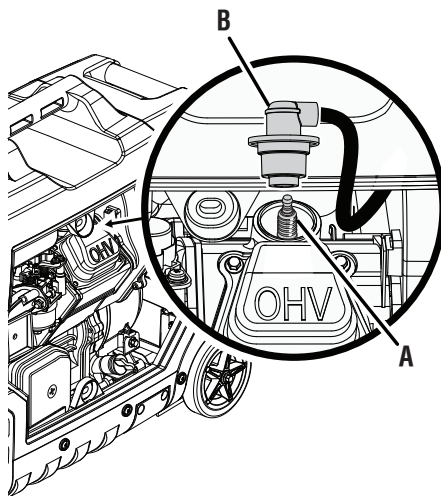
- A - Screw (vis, tornillo)
- B - Air filter cover (couvercle du filtre à air, tapa del filtro de aire)
- C - Filter element (élément du filtre, elemento de filtro)

Fig. 12



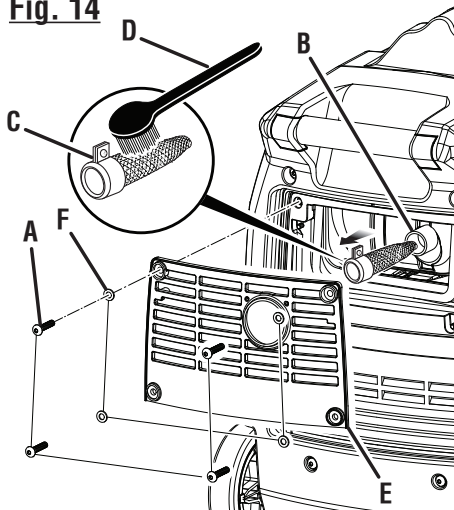
- A - Screws (vis, tornillos)
- B - Oil drain cover (couvercle de vidange d'huile, cubierta de drenaje de aceite)
- C - Oil cap/dipstick (bouchon/ jauge d'huile, tapa de relleno de aceite/varilla medidora de aceite)
- D - Container (conteneur, recipiente)

Fig. 13



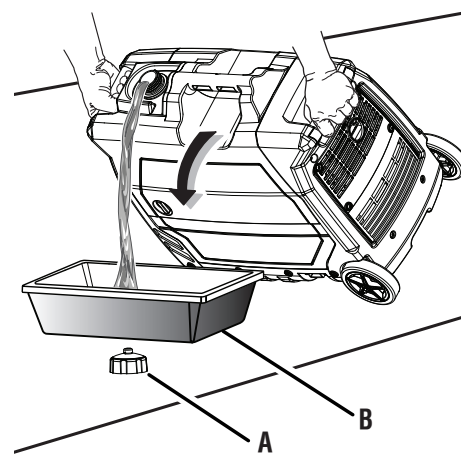
- A - Spark plug cap (capuchon de bougie, tapa de la bujía)
- B - Spark plug (bougie, bujía)

Fig. 14



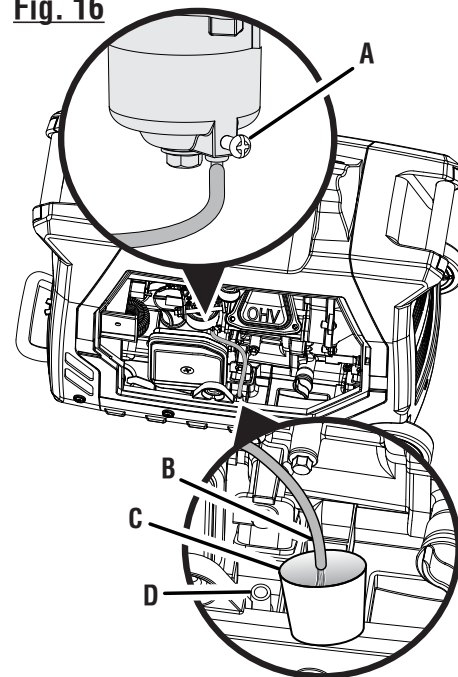
- A - Screws (vis, tornillos)
- B - Muffler outlet (recubrimiento del silenciador)
- C - Spark arrester (sortie d e silencieux, paré-étincelles, parachispas)
- D - Wire brush (balai de roue, cepillo de alambre)
- E - Rear panel (panneau arrière, panel posterior)
- F - Washer (rondelle, arandela)

Fig. 15



- A - Vented fuel cap (bouchon de carburant exhalé, tapa del combustible ventilación)
- B - Container (conteneur, recipiente)

Fig. 16



- A - Carburetor drain screw (vis de vidange du carburateur, tornillo de drenaje del carburador)
- B - Carburetor drain tube (tube de décharge du carburateur, tubo de drenaje del carburador)
- C - Container to catch fuel (contenant pour récupérer le carburant, contenedor para colocar combustible)
- D - Spout (bec, boquilla)

To register your Ryobi product, please visit: www.ryobitools.com

LOCATE GENERATOR AT LEAST 20 FT.* AWAY TO REDUCE THE RISK OF CARBON MONOXIDE GETTING INSIDE THE HOME

* Minimum distance as recommended by U.S. Department of Health and Human Services Centers for Disease Control and Prevention (www.cdc.gov/co). Your specific home and/or wind conditions may require additional distance.



**KEEP AT LEAST
20 FT.* AWAY**

Only use **OUTSIDE** and **FAR AWAY** from windows, doors, and vents.



WARNING:

GROUNDING THE GENERATOR

If this generator will be used **only** with cord and plug-connected equipment, National Electric Code does not require that the unit be grounded. However, other methods of using the generator may require grounding to reduce the risk of shock or electrocution. Consult a qualified electrician, electrical inspector, or local agency having jurisdiction for local codes or ordinances to find out if grounding is needed in your situation before using the generator.

When grounding is required, the nut and ground terminal on the frame are used to connect the generator to a suitable ground source. The ground path should be made with #8 size wire. Connect the terminal of the ground wire between the lock washer and the nut, and tighten the nut fully. Connect the other end of the wire securely to a suitable ground source that is in contact with the soil for a minimum distance of 8 ft.

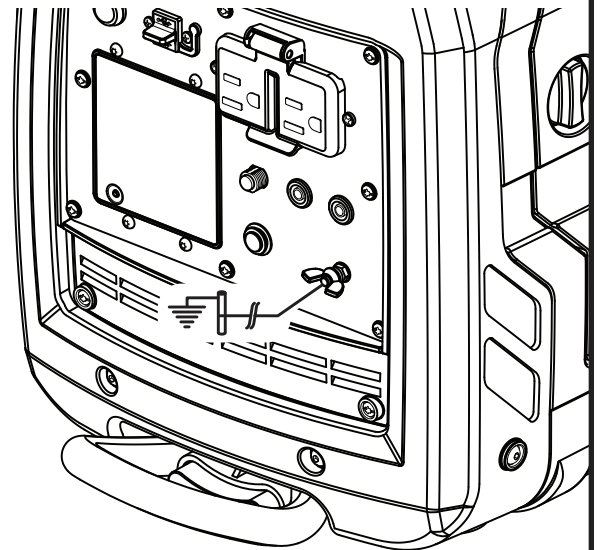
The National Electric Code contains several practical ways in which to establish a good ground source. If a steel or iron rod is used, it should be at least 5/8 in. diameter, and if a nonferrous rod is used, it should be at least 1/2 in. diameter and be listed as material for grounding. If a rock bottom is encountered before reaching a depth of 8 ft., drive the ground rod in at an angle of up to 45°. If the rock bottom is again encountered, the rod can be buried in a trench that is at least 30 in. deep. In all cases, the upper end of the grounding rod should either be flush with (or below) the ground or must be otherwise protected from physical damage.

All electrical tools and appliances operated from this generator must be properly grounded by use of a third wire or be "Double Insulated."

It is recommended to:

1. Use electrical devices with 3-prong grounded plugs.
2. Use an extension cord intended for outdoor use with a 3-pole receptacle and a 3-prong plug at opposite ends to ensure continuity of the ground protection from the generator to the appliance.

Check and adhere to all applicable federal, state, and local regulations relating to grounding specifications. Consult a qualified electrician or service personnel if the grounding instructions are not completely understood or if in doubt as to whether the generator is properly grounded.



BLUETOOTH® LICENSE STATEMENT

The **Bluetooth®** word mark and logos are registered trademarks owned by Bluetooth SIG, Inc. and any use of such marks by RYOBI™ is under license. Other trademarks and trade names are those of their respective owners.

IMPORTANT SAFETY INSTRUCTIONS

DANGER:

Carbon Monoxide. Using a generator indoors CAN KILL YOU IN MINUTES.

Generator exhaust contains high levels of carbon monoxide (CO), a poisonous gas you cannot see or smell. If you can smell the generator exhaust, you are breathing CO. But even if you cannot smell the exhaust, you could be breathing CO.

- Never use a generator inside homes, garages, crawl-spaces, or other partly enclosed areas. Deadly levels of carbon monoxide can build up in these areas. Using a fan or opening windows and doors does NOT supply enough fresh air.
- ONLY use a generator outdoors and far away from open windows, doors, and vents. These openings can pull in generator exhaust.

Even when you use a generator correctly, CO may leak into the home. ALWAYS use a battery-powered or battery-backup CO alarm in the home.

If you start to feel sick, dizzy, or weak after the generator has been running, move to fresh air RIGHT AWAY. See a doctor. You could have carbon monoxide poisoning.

WARNING:

Read and understand all instructions. Failure to follow all instructions listed below could result in electrocution, fire, and/or carbon monoxide poisoning, which can cause death or serious injury.

WARNING:

In some applications, National Electric Code requires generator to be grounded to an approved earth ground. Before using the ground terminal, consult a qualified electrician, electrical inspector, or local agency having jurisdiction for local codes or ordinances that apply to the intended use of the generator.

SAVE THESE INSTRUCTIONS

This manual contains important instructions for this product that should be followed during installation and maintenance of the generator.

- Do not connect to a building's electrical system unless the generator and transfer switch have been properly installed and the electrical output has been verified by a qualified electrician. The connection must isolate the generator power from utility power and must comply with all applicable laws and electrical codes.
- Do not allow children or untrained individuals to use this unit.

- Do not start or operate the engine in a confined space, building, near open windows, or in other unventilated space where dangerous carbon monoxide fumes can collect. Carbon monoxide, a colorless, odorless, and extremely dangerous gas, can cause unconsciousness or death.
- Keep all bystanders, children, and pets at least 10 feet away.
- Wear sturdy and dry shoes or boots. Do not operate while barefoot.
- Do not operate generator when you are tired or under the influence of drugs, alcohol, or medication.
- Keep all parts of your body away from any moving parts and all hot surfaces of the unit.
- Do not touch bare wire or receptacles.
- Do not use generator with electrical cords which are worn, frayed, bare, or otherwise damaged.
- Before storing, allow the engine to cool for 30 minutes and drain fuel from the unit.
- Do not operate or store the generator in rain, snow, or wet weather.
- Store the generator in a well-ventilated area with the fuel tank empty. Fuel should not be stored near the generator.
- Empty fuel tank, turn the Easy Start dial to the off position and restrain the unit from moving before transporting in a vehicle.
- Provide a plastic sheet or absorbent pad below the generator to catch any drips of fuel or lubricant when transporting.
- To reduce the risk of fire and burn injury, handle fuel with care. It is highly flammable.
- Do not smoke while handling fuel.
- Store fuel in a container approved for gasoline.
- Position the unit on level ground, stop engine, and allow to cool for 5 minutes before refueling.
- Loosen fuel cap slowly to release pressure and to keep fuel from escaping around the cap.
- Tighten the fuel cap securely after refueling.
- Wipe spilled fuel from the unit.
- Never attempt to burn off spilled fuel under any circumstances.
- Generators vibrate in normal use. During and after the use of the generator, inspect the generator as well as extension cords and power supply cords connected to it for damage resulting from vibration. Have damaged items repaired or replaced as necessary. Do not use plugs or cords that show signs of damage such as broken or cracked insulation or damaged blades.
- For power outages, permanently installed stationary generators are better suited for providing back-up power to the home. Even a properly connected portable generator can become overloaded. This may result in overheating or stressing the generator components, possibly leading to generator failure.

IMPORTANT SAFETY INSTRUCTIONS

- Use only recommended or equivalent replacement parts and accessories and follow instructions in the *Maintenance* section of this manual. Use of any other parts or failure to follow maintenance instructions may create a risk of shock or injury.
- Maintain the unit per maintenance instructions in this Operator's Manual.
- Inspect the unit before each use for loose fasteners, fuel leaks, etc. Replace damaged parts.

SPECIFIC SAFETY RULES



DANGER:

Risk of fire and serious burns: Never remove fuel cap when unit is running. Shut off engine and allow the unit to cool at least five minutes. Remove cap slowly.






WARNING:

When this generator is used to supply a building wiring system: generator must be installed by a qualified electrician and connected to a transfer switch as a separately derived system in accordance with NFPA 70, National Electrical Code. The generator shall be connected through a transfer switch that switches all conductors other than the equipment grounding conductor. The frame of the generator shall be connected to an approved grounding electrode. Failure to isolate the generator from power utility can result in death or injury to electric utility workers.










- Do not use this generator to provide power for emergency medical equipment or life support devices.
- Always use a battery-powered carbon monoxide detector when running the generator. If you begin to feel sick, dizzy, or weak while using the generator, shut it off and get to fresh air immediately. See a doctor. You may have carbon monoxide poisoning.
- Place the generator on a flat, stable surface with a slope of no more than 4°.
- Operate outdoors in a well-ventilated, well-lit area isolated from working areas to avoid noise interference.
- Operating the generator in wet conditions could result in electrocution. Keep the unit dry.
- Keep the generator a minimum of 3 feet away from all types of combustible material.
- Do not operate generator near hazardous material.
- Do not operate generator at a gas or natural gas filling station.
- Do not touch the muffler or cylinder during or immediately after use; they are HOT and will cause burn injury.
- This generator has a neutral floating condition. This means the neutral conductor is not electrically connected to the frame of the machine.
- Do not allow the generator's gas tank to overflow when filling. Fill to 1 in. below the top neck of the gasoline tank to allow for fuel expansion. Do not cover the fuel tank cap when the engine is running. Covering the fuel tank cap during use may cause engine failure and/or damage to the tool.
- Do not smoke when filling the generator with gasoline.
- Shut down the engine and allow to cool for 5 minutes before adding gasoline or lubricant to the generator.
- Do not remove the oil dipstick or the fuel tank cap when the engine is running.
- Pay close attention to all safety labels located on the generator.
- Keep children a minimum of 10 feet away from the generator at all times.
- The unit operates best in temperatures between 23°F and 104°F with a relative humidity of 90% or less.
- Operating voltage and frequency requirement of all electronic equipment should be checked prior to plugging them into this generator. Damage may result if the equipment is not designed to operate within a +/- 10% voltage variation, and +/- 3 hz frequency variation from the generator name plate ratings.
- For outdoor use only.
- Save these instructions. Refer to them frequently and use them to instruct others who may use this product. If you loan someone this product, loan them these instructions also.

SYMBOLS

The following signal words and meanings are intended to explain the levels of risk associated with this product.

SYMBOL	SIGNAL	MEANING
	DANGER:	Indicates a hazardous situation, which, if not avoided, will result in death or serious injury.
	WARNING:	Indicates a hazardous situation, which, if not avoided, could result in death or serious injury.
	CAUTION:	Indicates a hazardous situation, that, if not avoided, may result in minor or moderate injury.
	NOTICE:	(Without Safety Alert Symbol) Indicates information considered important, but not related to a potential injury (e.g. messages relating to property damage).

Some of the following symbols may be used on this product. Please study them and learn their meaning. Proper interpretation of these symbols will allow you to operate the product better and safer.

SYMBOL	NAME	DESIGNATION/EXPLANATION
	Safety Alert	Indicates a potential personal injury hazard.
	Read Operator's Manual	To reduce the risk of injury, user must read and understand operator's manual before using this product.
	Wet Conditions Alert	Do not expose to rain or use in damp locations.
	Electric Shock	Failure to use in dry conditions and to observe safe practices can result in electric shock.
	Toxic Fumes	Running generator gives off carbon monoxide, an odorless, colorless, poison gas. Breathing carbon monoxide can cause nausea, fainting, or death.
	Fire/Explosion	Fuel and its vapors are extremely flammable and explosive. Fire or explosion can cause severe burns or death.
	Hot Surface and Exhaust Gases	To reduce the risk of injury or damage, avoid contact with any hot surface and do not place any body parts in the path of hot exhaust gases.
	Lifting Hazard	To reduce the risk of serious injury, avoid attempting to lift the generator alone.
	Ground	Consult with local electrician to determine grounding requirements before operation.

SYMBOLS

Some of the following symbols may be used on this product. Please study them and learn their meaning. Proper interpretation of these symbols will allow you to operate the product better and safer.

SYMBOL	NAME	DESIGNATION/EXPLANATION
V	Volts	Voltage
A	Amperes	Current
Hz	Hertz	Frequency (cycles per second)
W	Watt	Power
hrs	Hours	Time
gal	Gallon	Volume
qt	Quart	Volume

SAFETY LABELS

The information below can be found on the generator. For your safety, please study and understand all of the labels before starting the generator.

If any of the labels come off the unit or become hard to read, contact customer service or a qualified service center for replacement.

- You WILL be KILLED or SERIOUSLY HURT if you do not follow the Operator's Manual instructions.
- Risk of Fire. Do not add fuel while the product is operating.
- Generator is a potential source of electric shock. Do not expose to moisture, rain, or snow. Do not operate with wet hands or feet.
- Exhaust contains poisonous carbon monoxide gas that can cause unconsciousness or DEATH. Operate in well-ventilated, outdoor areas away from open windows or doors.


- Do not expose to rain or use in damp locations.
- Using a generator indoors CAN KILL YOU IN MINUTES. Generator exhaust contains carbon monoxide. This is a poison you cannot see or smell.
- NEVER use inside a home or garage, EVEN IF doors and windows are open.
- Only use OUTSIDE and far away from windows, doors, and vents.

FUEL WARNING


No smoking when filling with gasoline. Do not overfill. Full level is 1 in. below the top of the fuel neck. Stop the engine for five minutes before refueling to avoid the heat from the muffler igniting fuel vapors.

⚠ DANGER

Using a generator indoors **CAN KILL YOU IN MINUTES**. Generator exhaust contains carbon monoxide. This is a poison you cannot see or smell.



NEVER use inside a home or garage, **EVEN IF** doors and windows are open.



Only use **OUTSIDE** and far away from windows, doors, and vents.

⚠ DANGER

L'utilisation d'une génératrice à l'intérieur **PEUT VOUS TUER EN QUELQUES MINUTES**. Les génératrices produisent du monoxyde de carbone, un gaz mortel incolore et inodore. **NE JAMAIS** utiliser à l'intérieur d'une maison ou d'un garage, **MÊME SI** les portes et les fenêtres sont ouvertes. Utiliser uniquement à l'**EXTÉRIEUR** et loin des fenêtres, des portes et des événements.

⚠ PELIGRO

Usar un generador en el interior **PUEDE MATARLO EN POCOS MINUTOS**. Los gases de escape del generador contienen monóxido de carbono. Es un veneno que no puede verse ni olerse. **NUNCA** lo use dentro de su hogar o del garaje, **INCLUSO** con las puertas y las ventanas abiertas. Sólo utilícelo **AL AIRE LIBRE** y lejos de ventanas, puertas y respiraderos.

⚠ DANGER
⚠ DANGER
⚠ PELIGRO



You **WILL** be **KILLED** or **SERIOUSLY HURT** if you do not follow the Operator's Manual instructions.

Ne pas procéder de la manière décrite dans ce Manuel d'utilisation entraînera des **BLESSURES GRAVES** voire la **MORT**.

SE MATARÁ o **LESIONARÁ GRAVEMENTE** si no sigue las instrucciones del Manual del operador.



Exhaust contains poisonous carbon monoxide gas that can cause unconsciousness or **DEATH**. Operate in well ventilated, outdoor areas away from open windows or doors.

L'échappement contient le gaz monoxyde de carbone toxique qui peut causer l'inconscience ou la **MORT**. Fonctionner dans les secteurs bien ventilés et extérieurs loin d'ouvre des fenêtres ou des portes.



Risk of fire. Do not add fuel while the product is operating.

Risque d'incendie. Ne pas ajouter de carburant pendant l'utilisation de l'appareil.

Riesgo del incendio. No agregue combustible cuando el producto esté funcionando.



Generator is a potential source of electric shock. Do not expose to moisture, rain, or snow. Do not operate with wet hands or feet.

Le générateur est une source potentielle de chocs électriques. Ne pas exposer à l'humidité, la pluie ou la neige. Ne pas utiliser avec les mains ou les pieds mouillés.



Do not expose to rain or use in damp locations.

Ne pas exposer à la pluie ou l'humidité.



El escape contiene gas venenoso de monóxido de carbono que puede causar pérdida del conocimiento o **MUERTE**. Opere en áreas exteriores bien ventiladas/lejos de puertas o ventanas abiertas.

El generador es una fuente de descarga eléctrica. No lo exponga a humedad, la lluvia, nin a la nieve. No opere con manos o pies húmedos.

940654323-01

SYMBOLS

FUEL CAP WARNING

Never remove fuel cap when unit is running. Shut off engine and allow the unit to cool at least five minutes. Remove cap slowly to release any pressure built up in the fuel system and to avoid the heat from the muffler igniting fuel vapors.

ENGINE LUBRICANT WARNING

You must add lubricant before first operating the generator. Always check the lubricant level before each operation. The lubricant level should always register between the hatched areas on the dipstick. The unit is equipped with a sensor which will automatically shut off the engine if the lubricant level falls below a safe limit.

STORAGE NOTICE

Always store the generator standing on its feet. Never store the unit on its side or in a vertical position.


GROUNDING WARNING

This generator does not include a ground rod or copper wire. Call a qualified electrician for local grounding requirements.

CLEARANCE WARNING

While operating and storing, keep at least 3 feet of clearance on all sides of this product, including overhead. Allow a minimum of 30 minutes of "cool down" time before storage. Heat created by muffler and exhaust gases could be hot enough to cause serious burns and/or ignite combustible objects.

⚠ DANGER ⚠ DANGER ⚠ PELIGRO

 **RISK OF FIRE AND SERIOUS BURNS:** Never remove fuel cap when unit is running. Shut off engine and allow the unit to cool at least five minutes. Remove cap slowly.

RISQUE D'INCENDIE ET DE BLESSURES GRAVES : Ne jamais retirer le capuchon du réservoir d'essence pendant que l'appareil fonctionne. Éteindre le moteur et laisser refroidir l'appareil pendant au moins cinq minutes. Retirer lentement le capuchon.

RIESGO DE INCENDIOS Y LESIONES POR QUEMADURAS: Nunca retire la tapa de combustible mientras esté encendida la unidad. Apague el motor y deje enfriar la unidad durante al menos cinco minutos. Retire la tapa lentamente.

USE FUEL STABILIZER FOR STORAGE
UTILISEZ UN STABILISATEUR DE CARBURANT POUR LE STOCKAGE
EL USO DEL ESTABILIZADOR DE COMBUSTIBLE PARA EL ALMACENAMIENTO


940947035-01

NOTICE AVIS AVISO

Add lubricant to full mark to start. Engine will not start or will shut off if sensor detects low lubricant level.

Ajouter de lubrifiant jusqu'au repère de remplissage pour démarrer. Le moteur ne démarre pas ou s'éteint si le capteur détecte le niveau de lubrifiant faible.

Añada lubricante hasta la marca de lleno para arrancar. El motor no arranca o se apaga si sensor detecta el nivel de lubricante de baja.



NOTICE / AVIS / AVISO


Do not store unit vertically.
Ne stockez pas l'unité verticalement.
No almacene la unidad verticalmente.

⚠ WARNING ⚠ AVERTISSEMENT ⚠ ADVERTENCIA





Product does not include ground rod or copper wire. Call a qualified electrician for local grounding requirements.
Le produit ne comprend pas de piquet de terre ou de fil en cuivre. Appeler un électricien qualifié pour connaître les exigences locales de mise à la terre.
El producto no incluye el cable de cobre ni la barra de conexión a tierra. Comuníquese con un electricista calificado para todo lo relacionado con los requisitos de conexión a tierra.

940513030-02

⚠ DANGER ⚠ DANGER ⚠ PELIGRO

 **Risk of Fire. Keep all objects at least 3 feet away from this machine. Heat from Muffler and Exhaust gases can ignite combustible objects. Check for any fuel overflow or leaking. Stop the engine before refueling.**
Risque d'incendie. Éloigner tous les objets au moins de 91,4 cm (3 pi) de cet appareil. La chaleur du pot d'échappement et les gaz d'échappement peuvent enflammer les objets combustibles. Vérifier l'absence de débordement ou de fuite de carburant. Arrêtez le moteur avant de faire le plein.
Riesgo de incendio. Mantener todos los objetos a una distancia mínima de 91,4 cm (3 pies) de esta máquina. El calor de los gases del silenciador y el escape pueden prender fuego a objetos combustibles. Revisa si hay algún derrame o fuga de combustible. Tópe el motor antes de poner combustible.

NOTICE

DO NOT USE FUEL CONTAINING MORE THAN 10% ETHANOL; IT IS A VIOLATION OF U.S. FEDERAL LAW, WILL DAMAGE YOUR PRODUCT, AND VOID THE WARRANTY.

940790000-01

SPARK ARRESTOR

Operation of this equipment may create sparks that can start fires around dry vegetation. A spark arrestor may be required. The operator should contact local fire agencies for laws or regulations relating to fire prevention requirements.

HOT SURFACE WARNING

Do not touch the muffler or aluminum cylinder of the engine. They are very HOT and will cause severe burns. Don't put body parts or any flammable or combustible materials in the direct path of the exhaust.

⚠ WARNING ⚠ AVERTISSEMENT ⚠ ADVERTENCIA

Operation of this equipment may create sparks that can start fires around dry vegetation. A spark arrestor may be required. The operator should contact local fire agencies for laws or regulations relating to fire prevention requirements.
L'utilisation de cet équipement peut créer des étincelles susceptibles d'enflammer la végétation sèche. Il peut être nécessaire d'utiliser un pare-étincelles. L'utilisateur doit communiquer avec le service local d'incendie pour connaître toutes les lois et tous les règlements portant sur les exigences en matière de prévention des incendies.
El uso de este equipo puede producir chispas propensas a iniciar incendios cerca de vegetación seca. Es posible que se necesite un parachispas. El operador debe ponerse en contacto con las agencias contra incendios locales para conocer las leyes y regulaciones relacionadas con los requisitos de prevención de incendios.



⚠ WARNING
HOT SURFACE AND EXHAUST
⚠ AVERTISSEMENT
SURFACE ET ÉCHAPPEMENT CHAUDS
⚠ ADVERTENCIA
SUPERFICIE Y DE ESCAPE ESTÉN CALIENTE

940947035-01

ELECTRICAL

EXTENSION CORD CABLE SIZE

Refer to the table below to ensure the cable size of the extension cords you use are capable of carrying the required load. Inadequate size cables can cause a voltage drop, which can damage the appliance and overheat the cord.

Current in Amperes	Load in Watts		Maximum Allowable Cord Length				
	At 120V	At 240V	#8 Wire	#10 Wire	#12 Wire	#14 Wire	#16 Wire
2.5	300	600		1000 ft.	600 ft.	375 ft.	250 ft.
5	600	1200		500 ft.	300 ft.	200 ft.	125 ft.
7.5	900	1800		350 ft.	200 ft.	125 ft.	100 ft.
10	1200	2400		250 ft.	150 ft.	100 ft.	50 ft.
15	1800	3600		150 ft.	100 ft.	65 ft.	
20	2400	4800	175 ft.	125 ft.	75 ft.		
25	3000	6000	150 ft.	100 ft.			
30	3600	7200	125 ft.	65 ft.			
40	4800	9600	90 ft.				

ELECTRIC MOTOR LOADS

It is characteristic of common electric motors in normal operation to draw up to six times their running current while starting. This table may be used to estimate the watts required to start electric motors; however, if an electric motor fails to start or reach running speed, turn off the appliance or tool immediately to avoid equipment damage. Always check the requirements of the tool or appliance being used compared to the rated output of the generator.

Motor Size (H.P.)	Running Watts	Watts Required to Start Motor		
		Universal	Capacitor	Split Phase
1/8	275	N/A	850	1200
1/6	275	600	850	2050
1/4	400	800	1050	2400
1/3	450	950	1350	2700
1/2	600	1000	1800	3600
3/4	850	1200	2600	—
1	1100	N/A	3300	—

NOTICE:

Operating voltage and frequency requirement of all electronic equipment should be checked prior to plugging them into this generator. Damage may result if the equipment is not designed to operate within a +/- 10% voltage variation, and +/- 3 hz frequency variation from the generator name plate ratings. To avoid damage, always have an additional load plugged into the generator if solid state equipment (such as a television set) is used. A power line conditioner is recommended for some solid state applications.

ELECTRICAL

GENERATOR CAPACITY

Make sure the generator can supply enough continuous (running) and surge (starting) watts for the items you will power at the same time. Follow these simple steps.

1. Select the items you will power at the same time.
2. Total the continuous (running) watts of these items. This is the amount of power the generator must produce to keep the items running. See the wattage reference chart at right.
3. Estimate how many surge (starting) watts you will need. Surge wattage is the short burst of power needed to start electric motor-driven tools or appliances such as a circular saw or refrigerator. Because not all motors start at the same time, total surge watts can be estimated by adding only the item(s) with the highest additional surge watts to the total rated watts from step 2.

Example:

Tool or Appliance	Running Watts*	Starting Watts*
Refrigerator	600	780
Portable Fan	40	120
Laptop	250	0
46 in. Flat Panel Television	190	0
Light (75 Watts)	75	0
	1155 Total Running Watts	780 Highest Starting Watts

Total Running Watts	1155
Highest Starting Watts	+ 780
Total Starting Watts Needed	<u>1935</u>

POWER MANAGEMENT

To prolong the life of the generator and attached devices, it is important to take care when adding electrical loads to the generator. There should be nothing connected to the generator outlets before starting its engine. The correct and safe way to manage generator power is to sequentially add loads as follows:

1. With nothing connected to the generator, start the engine as described later in this manual.
2. Plug in and turn on the first load, preferably the largest load you have.

3. Permit the generator output to stabilize (engine runs smoothly and attached device operates properly).
4. Plug in and turn on the next load.
5. Again, permit the generator to stabilize.
6. Repeat steps 4 and 5 for each additional load.

Never add more loads than the generator capacity. Take special care to consider surge loads in generator capacity as previously described.

NOTICE:

Do not overload the generator's capacity. Exceeding the generator's wattage/ampere capacity may damage the generator and/or electrical devices connected to it.

Application/Equipment	Estimated Running Watts*	Estimated Starting Watts*
Emergency / Home Standby		
Lights (qty. 4 x 75 W)	300	0
Refrigerator	600	780
46 in. Flat Panel Television	190	0
Satellite Receiver	250	0
Portable Fan	40	120
Heater	1300	1300
Laptop	250	0
Slow Cooker	270	0
Radio	200	0
Job Site		
Electric Drill – 3/8 in.	440	600
Quartz Halogen Work Light	1000	0
Reciprocating Saw	960	960
Circular Saw – 7-1/4 in.	1400	2300
Miter Saw – 10 in.	1800	1800
Air Compressor – 1/4 HP	970	1600
Airless Sprayer – 1/3 HP	600	1200

*Wattages listed are approximate. Check tool or appliance for actual wattage.

FEATURES

PRODUCT SPECIFICATIONS

ENGINE

Engine Type	80cc Overhead Valve (OHV)
Spark Plug	Torch E6RTC or equivalent
Lubricant Fill Volume	Approximately 12 oz
Fuel Volume	1.2 gal.

**Rated output determined by PGMA Standard G300*

GENERATOR

Rated Voltage	120V AC/5V DC
Rated Amps	15A AC/2.1A DC
Rated Output*	1,800 W
Starting Watts	2,300 W
Rated Frequency	60 Hz

KNOW YOUR GENERATOR

See Figure 1.

The safe use of this product requires an understanding of the information on the product and in this operator's manual as well as a knowledge of the project you are attempting. Before use of this product, familiarize yourself with all operating features and safety rules.

120 V AC RECEPTACLES

Your generator has two single phase, 60 Hz outlets that are 120 Volt AC, 20 Amp receptacles. These can be used for operating appropriate appliances, electrical lighting, tools, and motor loads.

AIR FILTER

The air filter help to limit the amount of dirt and dust drawn into the unit during operation.

AUTO IDLE BUTTON

The auto idle button is used to control the speed of the engine and conserve fuel. When Auto Idle is on and no appliances are connected to the unit, the engine will idle. If an appliance is added, the engine speed will increase to power the item. If the appliance is removed, the engine will return to idle.

CARRY HANDLES

The generator is equipped with three carry handles for easy transport. The handles should be used to carry the generator.

EASY START DIAL

The Easy Start dial is used when starting, stopping, and running the engine. It also controls the choke and the fuel valve.

FUEL TANK

The fuel tank has a capacity of 1.2 gallons.

GENCONTROL™ WITH BLUETOOTH®

The GENControl™ monitoring system with Bluetooth® tracks fuel level, runtime, auto idle status and load.

GROUND TERMINAL

The ground terminal is used to assist in properly grounding the generator to help protect against electrical shock. Consult with a qualified local electrician for grounding requirements in your area.

LOW OIL SHUT DOWN PROTECTOR

The low oil sensor causes the engine to stop if the level of lubricant in the crankcase is insufficient.

OIL CAP/DIPSTICK

Remove the oil fill cap to check and add lubricant to the generator when necessary.

PARALLEL KIT TERMINALS

The non-polarized parallel kit terminals are used with a parallel kit (sold separately) that will allow generators to be linked together to increase output.

NOTICE:

Do not disconnect cables while the generator is running. The generator or the load may be damaged.

NOTE: Read and understand the parallel kit's instructions prior to use. Kit is for usage with this unit only.

RECOIL STARTER

The recoil starter is used (along with the Easy Start dial) to start the generator's engine.

RESET BUTTON

The reset button is used to restore power if an overload occurs. To restore power, remove the last electrical load added, then press the reset button.

RETRACTABLE HANDLE

The generator is equipped with a retractable handle that can be adjusted for storage and transportation.

USB PORTS

The two 5 Volt, 2.1 Amp USB-dedicated charging ports will charge most USB-compatible devices.

ASSEMBLY

UNPACKING

This product has been shipped completely assembled.

- Carefully remove the product and any accessories from the box. Make sure that all items listed in the packing list are included.

WARNING:

Do not use this product if it is not completely assembled or if any parts appear to be missing or damaged. Use of a product that is not properly and completely assembled could result in serious personal injury.

- Inspect the product carefully to make sure no breakage or damage occurred during shipping.
- Do not discard the packing material until you have carefully inspected and satisfactorily operated the product.
- If any parts are damaged or missing, please call 1-800-860-4050 for assistance.

PACKING LIST

Generator
Engine Lubricant (SAE 10W 30)
Funnel
Spark Plug Wrench
Operator's Manual

WARNING:

If any parts are damaged or missing do not operate this product until the parts are replaced. Use of this product with damaged or missing parts could result in serious personal injury.

WARNING:

Do not attempt to modify this product or create accessories not recommended for use with this product. Any such alteration or modification is misuse and could result in a hazardous condition leading to possible serious personal injury.

OPERATION

DANGER:

Carbon Monoxide. Using a generator indoors CAN KILL YOU IN MINUTES.

Generator exhaust contains high levels of carbon monoxide (CO), a poisonous gas you cannot see or smell. If you can smell the generator exhaust, you are breathing CO. But even if you cannot smell the exhaust, you could be breathing CO.

- Never use a generator inside homes, garages, crawlspaces, or other partly enclosed areas. Deadly levels of carbon monoxide can build up in these areas. Using a fan or opening windows and doors does NOT supply enough fresh air.
- ONLY use a generator outdoors and far away from open windows, doors, and vents. These openings can pull in generator exhaust.

Even when you use a generator correctly, CO may leak into the home. ALWAYS use a battery-powered or battery-backup CO alarm in the home.

If you start to feel sick, dizzy, or weak after the generator has been running, move to fresh air RIGHT AWAY. See a doctor. You could have carbon monoxide poisoning.

WARNING:

If this generator will be used **only** with cord and plug-connected equipment, National Electric Code does not require that the unit be grounded. However, other methods of using the generator may require grounding to reduce the risk of shock or electrocution. Consult a qualified electrician, electrical inspector, or local agency having jurisdiction for local codes or ordinances to find out if grounding is needed in your situation before using the generator.

WARNING:

Do not allow familiarity with this product to make you careless. Remember that a careless fraction of a second is sufficient to inflict serious injury.

WARNING:

Do not use any attachments or accessories not recommended by the manufacturer of this product. The use of attachments or accessories not recommended can result in serious personal injury.

OPERATION

NOTICE:

This product is equipped with a spark arrestor that has been evaluated by the USDA Forest Service; however, product users must comply with Federal, State, and local fire prevention regulations. Check with appropriate authorities. Contact customer service or a qualified service center to purchase a replacement spark arrestor.

NOTICE:

Before each use, inspect the entire product for damaged, missing, or loose parts such as screws, nuts, bolts, caps, etc. Tighten securely all fasteners and caps and do not operate this product until all missing or damaged parts are replaced. Please contact customer service or a qualified service center for assistance.

APPLICATIONS

This generator is designed to supply electrical power for operating compatible electrical lighting, appliances, tools, and motor loads.

BEFORE OPERATING THE UNIT

- Only use OUTSIDE and at least 20 feet away from windows, doors, and vents as recommended by the U.S. Department of Health and Human Services Centers for Disease Control and Prevention. Your specific home and/or wind conditions may require additional distance.
- NEVER use inside a home or garage, EVEN IF doors and windows are open.
- Always position the generator on a flat firm surface.

SPECIAL REQUIREMENTS:

There may be General or State Occupational Safety and Health Administration (OSHA) regulations, local codes or ordinances that apply to the intended use of the generator. Please consult a qualified electrician, electrical inspector, or the local agency having jurisdiction:

- In some areas, generators are required to be registered with local utility companies.
- If the generator is used at a construction site, there may be additional regulations which must be observed.

USB CHARGING PORTS

See Figure 1.

The USB-dedicated charging ports will charge most USB-compatible devices.

- For MP3, cell phones, and other small USB devices (up to 1.9 Amps), connect to the top USB port.
- For tablets and high-charging current devices (up to 2.1 Amps) connect to the bottom USB port.

NOTE: The USB-dedicated charging port provides power only; it does not provide any communication capabilities. A suitable USB cable must be provided by the user.

GENCONTROL™ LCD DISPLAY

See Figure 2.

NOTE: The LCD display will not work unless the unit is running.

Fuel level:

The fuel level indicator will show how much fuel is remaining.

Load level:

The load level indicator will show the connected load. If the generator is approaching the maximum wattage/ampere capacity, the indicator will blink. If load level capacity is exceeded, the LCD display will show OVERLOAD. To reset the generator, remove all loads from the generator and press the reset button (see fig. 1). Add loads back to the generator one at a time being careful not to exceed the generators wattage rating.

Run time:

The LCD display will show the approximate remaining run time based on fuel level and load.

Auto idle:

The LCD display will show if the idle is on or off.

Bluetooth®:

Once paired, the LCD display will indicate whether or not the GENControl™ app is connected through Bluetooth®.

CHECKING/ADDING LUBRICANT

See Figure 3.

NOTICE:

Attempting to start the engine before it has been properly filled with lubricant will result in equipment failure.

NOTE: If a separate engine manual is provided for this product, please follow the instructions provided in the engine manual instead of the information listed below.

Engine lubricant has a major influence on engine performance and service life. For general, all-temperature use, SAE 10W-30 is recommended. Always use a 4-stroke motor lubricant that meets or exceeds the requirements for API service classification SJ.

This engine comes with a feature that will shut off the engine when a specific lubricant level is not maintained. The engine will not restart until an appropriate lubricant level is reached.

NOTE: Non-detergent or 2-stroke engine lubricants will damage the engine and should not be used.

- Loosen the knob at the side of the engine cover. Remove cover and set aside.
- Unscrew the oil cap/dipstick and remove.
- Wipe dipstick clean and re-seat in hole; do not re-thread.
- Remove dipstick again and check lubricant level. Lubricant level should fall between the minimum and maximum marks on the dipstick.
- If level is low, add engine lubricant until the fluid level rises between the minimum and maximum marks on the dipstick.
- Replace and secure the oil cap/dipstick.
- Reinstall cover.

OPERATION

USING FUEL STABILIZER

Fuel gets old, oxidizes, and breaks down over time. Adding a fuel stabilizer (not included) extends the usable life of fuel and helps prevent deposits from forming that can clog the fuel system. Follow fuel stabilizer manufacturer's directions for correct ratio of stabilizer to fuel.

- Mix fuel stabilizer and gasoline prior to filling the tank by using a gas can or other approved fuel container and shaking gently to combine.

NOTE: To control the amount of fuel stabilizer being added to the engine, always mix fuel stabilizer with gasoline before fueling the tank rather than adding fuel stabilizer directly into the generator's fuel tank.

- Replace and secure the fuel tank cap.
- Start and run the engine for at least 5 minutes to allow stabilizer to treat the entire fuel system.

ETHANOL-BLENDED FUELS

NOTICE:

Do not use E15 or E85 fuel in this product. It is a violation of federal law and will damage the unit and void your warranty. Only use unleaded gasoline containing up to 10% ethanol.

ADDING FUEL

See Figure 4.



DANGER:

Risk of fire and serious burns: Never remove fuel cap when unit is running. Shut off engine and allow the unit to cool at least five minutes. Remove cap slowly.



WARNING:

Gasoline and its vapors are highly flammable and explosive. To prevent serious personal injury and property damage, handle gasoline with care. Keep away from ignition sources, handle outdoors only, do not smoke while adding fuel, and wipe up spills immediately.

When adding gas to the generator, make sure the unit is sitting on a flat, level surface. If the engine is hot, let the generator cool for five minutes before adding gas. ALWAYS fill the fuel tank outdoors with the machine turned off.

- Place the Easy Start dial in the OFF/STORAGE position.
- Remove the fuel cap slowly.
- Fill the fuel tank to 1 in. below the top of the fuel neck.
- Replace and secure the fuel cap.



WARNING:

Always shut off engine before fueling. Never remove fuel cap or add fuel to a machine with a running or hot engine. Make sure the unit is sitting on a flat, level surface and only add fuel outdoors. If the engine is hot, let the unit cool for at least five minutes before adding fuel. After fueling, immediately replace fuel cap and tighten securely. Move at least 30 ft. from refueling site before starting engine. Do not smoke and stay away from open flames and sparks! Failure to follow these instructions could result in a fire and cause serious personal injury.

NOTE: Always use unleaded gasoline with a pump octane rating of 86 or higher. Never use old, stale, or contaminated gasoline, and do not use an oil/gas mixture. Do not allow dirt or water into the fuel tank. **Do not use E85 fuel.**

STARTING THE ENGINE

See Figures 5 - 7.

NOTICE:

On a level surface with the engine off, check the lubricant level before each use of the generator.

NOTE: If location of generator is not level, the unit may not start or may shut down during operation.

To start generator the first time:

- Add engine lubricant per the Operator's Manual instructions.
- Place the Easy Start dial to the COLD START (CHOKE) position.
- Fill the fuel tank per the Operator's Manual instructions.
- Pull the recoil starter until the engine starts.
- Allow the engine to run for 15-30 seconds, then move the Easy Start dial to the RUN/RE-START position.

To start subsequent times:

- Unplug all loads from the generator.
- Turn the Easy Start dial to the COLD START position.
NOTE: When the Easy Start dial is in the COLD START (top) position, the fuel will flow from the fuel tank to the engine. If engine is warm, turn the Easy Start dial to the RUN/RE-START (middle) position.
- Pull the recoil starter until the engine runs.
NOTE: Do not allow the grip to snap back after starting; return it gently to its original place. Initial starting of the unit may require additional pulls.
- Allow the engine to run for 15-30 seconds, then move the Easy Start dial to the RUN/RE-START position.

STOPPING THE ENGINE

See Figures 5 - 6.

- Remove any load from the generator.
- Place the Easy Start dial in the OFF/STORAGE position.

OPERATION

To stop the engine in an emergency situation:

- Place the Easy Start dial in the OFF/STORAGE position.

WARNING:

While operating and storing, keep at least 3 feet of clearance on all sides of this product, including overhead. Allow a minimum of 30 minutes of “cool down” time before storage. Heat created by muffler and exhaust gases could be hot enough to cause serious burns and/or ignite combustible objects.

PAIRING THE BLUETOOTH® GENERATOR

See Figure 8.

Installing the RYOBI GENCONTROL app on your **Bluetooth®** enabled iOS or Android device allows you to view and control many of the generator’s functions from your device.

- From the app store on your iOS or Android **Bluetooth®** enabled device, locate and install the RYOBI GENCONTROL™ app.
- Open the app and follow the directions as shown in the GENControl app.

NOTE: Make sure **Bluetooth®** is enabled on your device.

- Start the generator. Push and hold the “Push and Hold to Pair” button below the LCD panel on the generator until the LCD panel displays “Pairing Mode.”

- The LCD screen on the generator and the app on your device will indicate a successful pairing.

NOTE: If the generator and app do not pair, make sure that “Pairing Mode” is displayed during the pairing process and that **Bluetooth®** is enabled on your device.

- Press the menu icon in the top left corner of the screen. This will show you the available features that can be controlled through the app.

MOVING THE GENERATOR

See Figure 9.

- Place the Easy Start dial in the OFF/STORAGE position. In the OFF/STORAGE position, the fuel valve will be closed and prevent any gas flow.
- Allow 30 minutes of “cool down” time before storing the machine. Make sure engine and exhaust of unit are cool.
- Pull the retractable handle out or carry by the carry handles.
- Facing the front of the generator, grasp the folding handle firmly with one hand.
- Lift the generator toward you until it balances on the wheels.
- Turn around and pull the unit along behind you to the desired location.
- Lower the generator until it sits securely on a flat surface.

MAINTENANCE

Normal maintenance, replacement or repair of emission control devices and systems may be performed by any qualified repair establishment or individual with original or equivalent parts. Warranty and recall repairs must be performed by an authorized service center; please contact customer service for assistance.

WARNING:

Before inspecting, cleaning or servicing the machine, shut off engine, wait for all moving parts to stop, and disconnect spark plug wire and move it away from spark plug. Allow 30 minutes of cool down time before performing any maintenance. Failure to follow these instructions can result in serious personal injury or property damage.

WARNING:

When servicing, use only recommended or equivalent replacement parts. Use of any other parts could create a hazard or cause product damage.

NOTICE:

Periodically inspect the entire product for damaged, missing, or loose parts such as screws, nuts, bolts, caps, etc. Tighten securely all fasteners and caps and do not operate this product until all missing or damaged parts are replaced. Please contact customer service or a qualified service center for assistance.

GENERAL MAINTENANCE

Keep the generator in a clean and dry environment where it is not exposed to dust, dirt, moisture, or corrosive vapors. Do not allow the cooling air slots in the generator to become clogged with foreign material such as leaves, etc.

Do not use a garden hose to clean the generator. Water entering the fuel system or other internal parts of the unit can cause problems that will decrease the life of the generator.

To clean the unit:

- Use a soft bristle brush and/or vacuum cleaner to loosen and remove dirt and debris.
- Clean air vents with low pressure air that does not exceed 25 psi.
- Wipe the exterior surfaces of the generator with a damp cloth.

MAINTENANCE

CHECKING/CLEANING AIR FILTER

See Figures 10 - 11.

For proper performance and long life, keep air filter clean.

- Loosen the knob on the side of the engine cover. Remove cover and set aside.
- Loosen the screw in the center of the air filter cover. Remove the cover and set aside.
- Remove the air filter.
- Wash the air filter with warm, soapy water. Rinse and squeeze to dry.
- Reinstall the air filter.

NOTE: Make sure the filter is seated properly inside the generator. Installing the filter incorrectly will allow dirt to enter the engine, causing rapid engine wear.

- Reinstall the air filter cover. Tighten screw to secure.
- Reinstall the engine cover. Tighten screws to secure.

NOTE: Do not run the generator without the air filter. Rapid engine wear will result.

CHANGING ENGINE LUBRICANT

See Figure 12.

For best performance, engine lubricant should be changed after every 100 hours or 6 months of operation.

- Loosen the knob at the side of the engine cover. Remove cover and set aside.
- Loosen the two screws and remove the oil drain cover.
- Remove the oil fill cap/dipstick.
- Tilt the generator to the side and allow lubricant to drain from the oil fill hole into an approved container.

NOTE: Drain the lubricant while the engine is still warm but not hot. Warm lubricant will drain quickly and more completely.



WARNING:

Do not change engine lubricant while it is hot. Accidental contact with hot engine lubricant could result in serious burns.

- Return the generator to an upright position and refill with lubricant following the instructions in the **Checking/Adding Lubricant** section previously in this manual. For amount of lubricant needed to refill, see **Product Specifications** earlier in this manual or the accompanying engine manual, if applicable.
- Replace and secure the oil cap/dipstick.
- Reinstall the oil drain cover and tighten the screws.
- Reinstall the engine cover.

NOTE: Used lubricant should be disposed of at an approved disposal site. See your local retailer for more information.

SPARK PLUG REPLACEMENT

See Figure 13.

The spark plug must be properly gapped and free of deposits in order to ensure proper engine operation. To check:

- Remove the engine cover.
- Remove the spark plug cap.
- Clean any dirt from around base of spark plug.
- Remove spark plug using spark plug wrench.
- Inspect spark plug for damage, and clean with a wire brush before reinstalling. If insulator is cracked or chipped, spark plug should be replaced. For replacement spark plug, see **Product Specifications** earlier in this manual or the accompanying engine manual, if applicable.
- Measure plug gap. The correct gap is 0.024–0.028 in. (0.60–0.70 mm). To widen gap, if necessary, carefully bend the ground (top) electrode. To lessen gap, gently tap ground electrode on a hard surface.
- Seat spark plug in position; thread in by hand to prevent cross-threading.

NOTICE:

Be careful not to cross-thread the spark plug. Cross-threading will seriously damage the product.

- Tighten with wrench to compress washer. If spark plug is new, use 1/2 turn to compress washer appropriate amount. If reusing old spark plug, use 1/8 to 1/4 turn for proper washer compression.

NOTE: An improperly tightened spark plug will become very hot and could damage the engine.

- Reinstall the spark plug cap.
- Reinstall the engine cover. Tighten screws to secure.

CLEANING THE EXHAUST PORT AND MUFFLER

Depending on the type of fuel used, the type and amount of lubricant used, and/or your operating conditions, the exhaust port and muffler may become blocked with carbon deposits. If you notice a power loss with your gas-powered products, you may need to remove these deposits to restore performance. We highly recommend that only qualified service technicians perform this service.

SPARK ARRESTOR

See Figure 14.

NOTICE:

This product is equipped with a spark arrestor that has been evaluated by the USDA Forest Service; however, product users must comply with Federal, State, and local fire prevention regulations. Check with appropriate authorities. Contact customer service or a qualified service center to purchase a replacement spark arrestor.

MAINTENANCE

The spark arrestor must be cleaned or replaced every 50 hours or yearly to ensure proper performance of your product. Spark arrestors may be in different locations depending on the model purchased. Please contact your nearest service dealer for the location of the spark arrestor for your model.

To clean the spark arrestor:

- Loosen the screws on the top panel. Remove the top panel and set aside.
- Remove the screw securing the spark arrestor in place.
- Remove the spark arrestor and gently clean using a wire brush.
- Replace the spark arrestor and rear panel. Ensure that all screws are tightened securely.

DRAINING FUEL TANK/CARBURETOR

See Figures 15 - 16.

To help prevent gum deposits in the fuel system, drain the fuel from the tank and carburetor before storing.

DRAINING THE FUEL TANK

NOTICE:

Remove all lubricant from the unit before draining the fuel tank. Failure to do so could cause damage to the unit.

- Remove the fuel cap.
- Tilt the generator and allow fuel to drain from the fuel tank into an approved container.
- When the fuel has drained from the tank, replace the fuel cap.

DRAINING THE CARBURETOR

- Loosen the knob at the side of the engine cover. Remove the cover and set aside.

STORAGE

When preparing the generator for storage, allow the unit to cool for 30 minutes then follow the guidelines below. **Always store the generator standing on its feet. Never store the unit on its side or in a vertical position.**

STORAGE TIME	PRIOR TO STORING
Less than 2 months	<ul style="list-style-type: none"> ■ Drain gasoline from tank and dispose of in a suitable container according to state and local ordinances.
2 months to 1 year	<ul style="list-style-type: none"> ■ Drain fuel from carburetor. ■ Drain gasoline from tank and dispose of in a suitable container according to state and local ordinances.
1 year or more	<ul style="list-style-type: none"> ■ Drain fuel from the carburetor. ■ Remove spark plug. ■ Drain gasoline from tank and dispose of in a suitable container according to state and local ordinances. ■ Put a tablespoon of engine lubricant into the spark plug cylinder. Turn the engine slowly with the pull rope to distribute the lubricant. ■ Reinstall spark plug. ■ Change engine lubricant.

NOTE: If storing gasoline in suitable container for later use, make sure gasoline has been treated with fuel stabilizer according to stabilizer manufacturer's instructions.

- Place the Easy Start dial in the RUN/RE-START position.
- Pull the carburetor drain tube out of the spout on the generator base and place into a container suitable to catch fuel.
- Loosen the carburetor drain screw and allow fuel to drain completely into the container.
- Retighten drain screw securely.
- Reinstall the carburetor drain tube into the drain spout on the generator base.



WARNING:

Make sure the drain tube is fully seated into the drain spout. Failure to fully seat the drain tube could allow fuel to leak into the bottom of the generator housing, which could cause serious personal injury and property damage.

- Place the Easy Start dial in the OFF/STORAGE position.

NOTE: Consult hazardous waste management guidelines in your area for the proper way to dispose of used fuel.

TRANSPORTING

- Place the Easy Start dial in the OFF/STORAGE position.
- Allow 30 minutes of "cool down" time before transporting the machine. Make sure engine and exhaust of unit is cool.
- Keep unit level to prevent fuel spillage.
- Do not drop or strike unit or place under heavy objects.
- If transporting in a vehicle, drain the fuel tank, place the Easy Start dial in the OFF/STORAGE position and securely restrain the generator.
- Provide a plastic sheet or absorbent pad below the generator to catch any drips of fuel or lubricant.

MAINTENANCE

MAINTENANCE SCHEDULE

NOTE: If a separate engine manual is provided for this generator, please follow the maintenance schedule provided in the engine manual instead of the maintenance information listed below.

	Before each use	After 1st month or 20 hours of operation	Every 3 months or 50 hours of operation	Every 6 months or 100 hours of operation	Every year or after 300 hours of operation
Check Engine Lubricant	■				
Change Engine Lubricant ²		■		■	
Check Air Filter	■				
Clean Air Filter			■		
Change Air Filter ²					■
Check/Adjust Spark Plug				■	
Replace Spark Plug ²					■
Check/Clean Spark Screen				■	
Check/Adjust Valve Clearance ^{1,2}					■
Clean Fuel Tank and Filter ^{1,2}				■	
Check Fuel Hose	■				■
Fuel Filter	Inspect				Replace
Check All Hose Connections	■				■
Inspect Fuel Tank Vapor Vent (If Equipped)	■				■
Inspect Carbon Canister (CARB Models Only)	■				■

1. These items should only be carried out by a qualified service center.

2. See engine manual for maintenance schedule for this item.

NOTE: Maintenance should be performed more frequently when generator is used in dusty areas.

When generator has exceeded the maximum figures specified in the table, maintenance should still be cycled according to the intervals of time or hours stated herein.

TROUBLESHOOTING

PROBLEM	POSSIBLE CAUSE	SOLUTION
Engine will not start.	Easy Start dial is in OFF/STORAGE or RUN/RE-START position. No fuel. Stale gasoline or water in gasoline. Lubricant level is low. Spark plug faulty, fouled, or improperly gapped. Engine stored without treating or draining gasoline, or refueled with bad gasoline. Dirty fuel filter.	Move Easy Start dial to COLD START position. Fill fuel tank. Drain entire system and refill with fresh fuel. Engine is equipped with Low Oil Shutoff. If engine lubricant level is low, it must be filled before unit will start. Check engine lubricant level and fill, if necessary. Replace spark plug. Drain fuel and carburetor. Refuel with fresh gasoline. Contact a qualified service center.
Engine hard to start.	Water in gasoline. Weak spark at spark plug.	Drain entire system and refill with fresh fuel. Replace spark plug or contact a qualified service center.
Engine lacks power.	Engine stored without treating or draining gasoline, or refueled with bad gasoline. Dirty air filter.	Drain fuel and carburetor. Refuel with fresh gasoline. If problem continues, contact a qualified service center. Clean or replace as needed.
AC receptacle does not work.	Item plugged in is defective. Generator is overloaded.	Try a different item. Remove loads and press the reset button.

If problem persists after trying the above solutions, contact customer service or a qualified service center for assistance.

NOTICE:

As the equipment owner, you are responsible for the performance of the required maintenance listed in the *Maintenance* section. It is recommended that you retain all receipts covering maintenance on your equipment. Neglecting or failing to perform the required maintenance may increase emissions, decrease fuel efficiency, degrade performance, cause irreversible engine damage and/or void your warranty.

This product has a Three-year Limited Warranty for personal, family, or household use (90 days for business or commercial use). For warranty details, visit www.ryobitools.com or call (toll free) 1-800-860-4050.

FCC COMPLIANCE

WARNING:

Changes or modifications to this unit not expressly approved by the party responsible for compliance could void the user's authority to operate the equipment.

This device complies with part 15 of the FCC rules. Operation is subject to the following two conditions: (1) this device may not cause harmful interference, and (2) this device must accept any interference received, including interference that may cause undesired operation.

NOTE: The grantee is not responsible for any changes or modifications not expressly approved by the party responsible for compliance. Such modifications could void the user's authority to operate the equipment.

NOTE: This equipment has been tested and found to comply with the limits for a Class B digital device, pursuant to part 15 of the FCC Rules. These limits are designed to provide reasonable protection against harmful interference in a residential installation. This equipment generates, uses and can radiate radio frequency energy and, if not installed and used in accordance with the instructions, may cause harmful interference to radio communications. However, there is no guarantee that interference will not occur in a particular installation. If this equipment does cause harmful interference to radio or television reception, which can be determined by turning the equipment off and on, the user is encouraged to try to correct the interference by one or more of the following measures:

- Reorient or relocate the receiving antenna.
- Increase the separation between the equipment and receiver.
- Connect the equipment into an outlet on a circuit different from that to which the receiver is connected.
- Consult the dealer or an experienced radio/TV technician for help.

This device complies with Industry Canada license-exempt RSS standard(s). Operation is subject to the following two conditions: (1) this device may not cause interference, and (2) this device must accept any interference, including interference that may cause undesired operation of the device.

Under Industry Canada regulations, this radio transmitter may only operate using an antenna of a type and maximum (or lesser) gain approved for the transmitter by Industry Canada. To reduce potential radio interference to other users, the antenna type and its gain should be so chosen that the equivalent isotropically radiated power (e.i.r.p.) is not more than that necessary for successful communication.

Pour enregistrer votre produit de Ryobi, s'il vous plaît la visite : www.ryobitools.com

INSTALLER ET ÉLOIGNER LA GÉNÉRATRICE D'AU MOINS 6 M (20 PI)* AFIN DE RÉDUIRE LE RISQUE D'INFILTRATION DE MONOXYDE DE CARBONE À L'INTÉRIEUR DE LA MAISON

* Distance minimale recommandée par le Service de santé et les Centres pour le contrôle et la prévention des maladies américains (www.cdc.gov/co). Le type de maison et les conditions du vent peuvent exiger une distance plus grande.



GARDER À UNE DISTANCE D'AU MOINS 6 M (20 PI) *

Utiliser seulement **À L'EXTÉRIEUR** et **TRÈS LOIN** de toutes fenêtres, portes ou bouches d'aération.



Détecteur de monoxyde de carbone dans les pièces habitables

AVERTISSEMENT :

MISE À LA TERRE DU GÉNÉRATRICE

Le Code national de l'électricité n'exige pas que cette génératrice soit mise à la terre si elle est utilisée **uniquement** avec un équipement à cordon ou à connecteur mâle. Cependant, les autres méthodes utilisées avec cette génératrice nécessitent une mise à la terre afin de réduire le risque de décharge électrique et d'électrocution. Consulter un électricien qualifié, un inspecteur en électricité ou l'organisme local gérant les règlements locaux ou les lois afin de connaître les exigences de mise à la terre selon votre situation avant d'utiliser la génératrice.

Lorsque la mise à la terre est exigée, l'écrou et la borne de terre sur le cadre sont utilisés pour connecter la génératrice à une source de terre adaptée. Le cheminement de la mise à la terre doit se faire avec un fil de calibre 8. Raccorder la borne du fil de terre entre la rondelle frein et l'écrou, puis serrer fermement l'écrou. Raccorder et immobiliser fermement l'autre extrémité du fil à une source de terre en contact avec le sol à une distance d'au moins 2,4 m (8 pi).

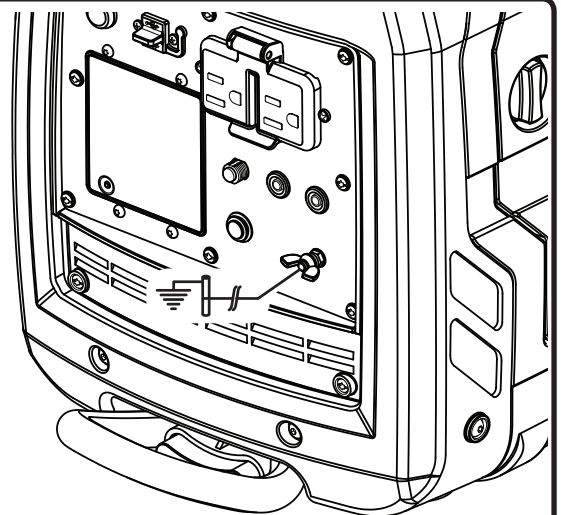
Le code électrique américain contient diverses façons pratiques permettant d'établir une bonne source de terre. Si une tige en fer ou en acier est utilisée, elle doit être d'au moins 15 mm (5/8 po) et si une tige non ferreuse est utilisée, elle doit avoir un diamètre d'au moins 12,5 mm (1/2 po) et être faite d'un matériau indiqué pour la mise à la terre. Si un fond rocailleux se présente avant d'avoir atteint la profondeur de 2,4 m (8 pi), enfoncer le piquet de prise de terre à un angle de 45°. Si un nouveau fond rocailleux se présente à nouveau, le piquet peut être enfoui dans une tranchée d'au moins 76,2 cm (30 po) de profondeur. Dans tous les cas, le haut et le bas du piquet de prise de terre doit être à niveau (ou sous) le sol ou protégé de quelque manière contre le bris physique.

Tous les outils et les appareils électriques utilisés à l'aide de ce génératrice doivent être correctement mis à la terre par l'intermédiaire d'un troisième fil ou être doublement isolés.

Il est recommandé :

1. D'utiliser des appareils électriques avec prises de terre à trois fiches.
2. D'utiliser un cordon prolongateur conçus pour l'extérieur avec prise à 3 pôles et une fiche à 3 broches aux extrémités opposées pour assurer la continuité de la protection de mise à la terre du génératrice à l'appareil.

Consulter et respecter tous les règlements nationaux et locaux applicables concernant les spécifications de mise à la terre. Consulter un électricien qualifié ou le personnel de service si les instructions de mise à la terre ne sont pas bien comprises, ou en cas de doute au sujet de la mise à la terre.



ÉNONCÉ DE LICENCE BLUETOOTH®

L'indice de l'œuvre et les logos de **Bluetooth®** sont des marques déposées par Bluetooth SIG, Inc. et toutes utilisations de telles marques par RYOBI™ sont sous licence. Les autres marques de commerce et appellations commerciales sont la propriété de leurs propriétaires respectifs.

INSTRUCTIONS IMPORTANTES CONCERNANT LA SÉCURITÉ

DANGER :

Monoxyde de Carbone. Utiliser une génératrice à l'intérieur d'un bâtiment CAUSERA LA MORT EN QUELQUES MINUTES.

Le tuyau d'échappement de la génératrice contient un niveau élevé de monoxyde de carbone (CO), lequel s'avère être un gaz poison inodore et invisible. Si vous pouvez sentir les gaz du tuyau d'échappement de la génératrice, vous respirez du CO. Mais, même si vous ne pouvez pas sentir les gaz provenant du tuyau d'échappement, vous pourriez être en train de respirer du CO.

- Ne jamais utiliser une génératrice à l'intérieur d'une maison, des garages, des petits espaces, ou autres aires restreintes partiellement fermées. Des niveaux mortels de monoxyde de carbone peuvent s'accumuler dans ces aires restreintes. Utiliser un ventilateur ou ouvrir une fenêtre ou les portes NE fournie PAS assez d'air frais à respirer.
- Utilisez SEULEMENT la génératrice à l'extérieur et loin des fenêtres ouvertes, des portes ouvertes, et des bouches d'aérations. Ces ouvertures peuvent tirer l'air provenant du tuyau d'échappement.

Même si vous utilisez une génératrice correctement, des gaz CO peuvent toujours s'infiltrer dans la maison. TOUJOURS utiliser une alarme de monoxyde de carbone à piles dans votre maison.

Si vous ressentez que vous commencez à être étourdi ou faible suite au fonctionnement de la génératrice, allez prendre l'air frais IMMÉDIATEMENT. Consultez un médecin. Vous pourriez avoir un empoisonnement au monoxyde de carbone.

AVERTISSEMENT :

Lire et comprendre toutes les instructions. Le non-respect de toutes les instructions ci-dessous peut entraîner une électrocution, un incendie et/ou un empoisonnement au monoxyde de carbone, pouvant causer des blessures graves, voire mortelles.

AVERTISSEMENT :

Pour certaines applications, le code électrique américain (National Electric Code) requiert que la génératrice soit mise à la terre par l'intermédiaire d'une source de terre approuvée. Avant d'utiliser la borne de terre, consulter un électricien qualifié, un inspecteur en électricité ou un organisme local connaissant les codes et les règlements locaux applicables à l'utilisation prévue de la génératrice.

CONSERVER CES INSTRUCTIONS

Ce manuel relate à propos d'instructions importantes pour l'appareil, lesquelles devraient être suivies pendant l'installation et l'entretien de la génératrice.

- Ne pas brancher au circuit électrique d'un bâtiment à moins que la génératrice et le commutateur de transfert n'aient été installés correctement par un électricien qualifié, et que ce dernier n'ait vérifié la sortie électrique. Le branchement doit isoler l'alimentation de la génératrice de la source d'alimentation de l'appareil et doit répondre à toutes les lois et codes de l'électricité applicables.
- Ne pas laisser des enfants ou personnes n'ayant pas reçu une formation adéquate utiliser cette unité.
- Ne pas démarrer ou faire tourner le moteur dans un espace confiné, de bâtiment, à proximité des fenêtres ouvertes, autre ou des zones sans ventilation où des vapeurs toxiques de monoxyde de carbone peuvent s'accumuler. Le monoxyde de carbone, un gaz incolore, inodore et extrêmement toxique peut causer une perte de conscience et être mortel.
- Garder les badauds, enfants et animaux domestiques à une distance minimum de 3 m (10 pi).
- Porter des chaussures ou des bottes robustes et sèches. Ne pas utiliser pieds nus.
- Ne pas utiliser la génératrice en état de fatigue, si l'on est souffrant ou sous l'influence de l'alcool, de drogues ou de médicaments.
- Garder toutes les parties du corps à l'écart des pièces en mouvement et des parties brûlantes de l'outil.
- Ne pas toucher les prises ou les fils dénudés.
- Ne pas utiliser la génératrice avec des cordons électriques usés, effilochés, dénudés ou autrement endommagés.
- Laisser le moteur refroidir avant de remettre l'outil pour 30 minutes et vidanger le carburant.
- Ne pas utiliser la génératrice dans la pluie ou la neige.
- Remiser la génératrice dans un endroit bien ventilé après avoir vidé le réservoir de carburant. Ne pas remiser le carburant à proximité de la génératrice.
- Pour le transport dans un véhicule, le réservoir doit être vide, le cadran le Easy Start à la position arrêt et la machine bien arrimée.
- Installer une feuille de plastique ou un coussinet absorbant sous la génératrice pour recueillir toutes les gouttes d'essence ou lubrifiant lors du rangement ou du transport.
- Manipuler le carburant avec précaution pour éviter les risques d'incendies et de brûlures. Le carburant est extrêmement inflammable.
- Ne pas fumer pendant la manipulation du carburant.
- Conserver le carburant dans un bidon ou jerrican approuvé pour l'essence.
- Poser la machine sur un sol plat, arrêter le moteur et le laisser refroidir pendant 5 minutes avant de faire le plein.
- Desserrer le bouchon du réservoir lentement pour relâcher la pression et éviter que le carburant ne s'échappe.
- Une fois le réservoir plein, remettre le bouchon en place et le serrer fermement.
- Essuyer tout le carburant éventuellement répandu.
- N'essayer en aucun cas de brûler le carburant répandu.
- Une vibration est normale pendant l'utilisation de la génératrice. Pendant et après l'utilisation de la génératrice, inspectez celle-ci, tout comme les câbles d'extension et les câbles branchés à la boîte d'alimentation afin de détecter tout bris potentiel du matériel. Faites réparer tout dommage immédiat ou remplacer les pièces endommagées au besoin. Ne pas utiliser de fiches ou des câbles qui sont endommagés tels qu'ils aient des signes de fissures ou si la couche isolante est craquée ou si les lamelles sont endommagées.
- Il est préférable d'utiliser une génératrice fixe comme source d'énergie de secours pour alimenter la maison en cas de panne d'électricité. Une génératrice portable, même correctement branchée, risque une surcharge. Il peut en résulter une surchauffe ou une contrainte induite sur les composantes de la génératrice, ce qui peut provoquer une défaillance de la génératrice.

INSTRUCTIONS IMPORTANTES CONCERNANT LA SÉCURITÉ

- Utiliser uniquement des pièces de rechange et des accessoires recommandés ou équivalents et suivre les instructions dans la section *Entretien* de ce manuel. L'usage de toute autre pièce ou le non-respect des instructions peut présenter des risques de choc électrique ou de blessures.
- Entretenir le produit conformément aux instructions de ce manuel d'utilisation.
- Inspecter le produit avant chaque utilisation pour s'assurer qu'il n'y a pas de pièces desserrées, de fuites de carburant, etc. Remplacer les pièces endommagées.

RÈGLES DE SÉCURITÉ PARTICULIÈRES

DANGER :

Risque d'incendie et de blessures graves : Ne jamais retirer le capuchon du réservoir d'essence pendant que l'appareil fonctionne. Éteindre le moteur et laisser refroidir l'appareil pendant au moins cinq minutes. Retirer lentement le capuchon.




AVERTISSEMENT :

Lorsque cette génératrice est utilisée pour fournir de l'énergie à un système électrique d'un bâtiment : cette génératrice doit être installée par un électricien qualifié et doit être branchée à un circuit fermé muni d'un interrupteur de transfert, conformément au Code National Électrique NFPA70. La génératrice devra être branchée sur un interrupteur de transfert lequel pourra allumer tous les conducteurs autres que celui du circuit électrique principal. Le cadre de la génératrice doit être mis à la terre par l'intermédiaire d'une source de terre approuvée. Si cette étape n'est pas faite, la génératrice ne sera pas isolée du circuit électrique et cela pourrait entraîner des blessures graves, voire même la mort chez un électricien travaillant pour l'usine.










- Ne jamais utiliser le génératrice près de matériaux dangereux.
 - Ne pas utiliser le génératrice près d'une station de distribution d'essence ou de gaz naturel.
 - Ne pas toucher le silencieux ou le cylindre durant ou immédiatement après l'utilisation. Ils sont BRÛLANTS et peuvent provoquer des brûlures.
 - Cette génératrice est équipée d'un connecteur neutre lié à la masse. Cela signifie que le conducteur neutre est relié électriquement au cadre de l'unité.
 - Ne pas laisser le réservoir d'essence de la génératrice déborder lors du remplissage. Remplir le réservoir jusqu'à 25,4 mm (1 po) de l'ouverture du goulot du réservoir pour permettre l'expansion du carburant. Ne pas recouvrir le bouchon du réservoir de carburant lorsque le moteur fonctionne. Ne pas respecter cette directive peut causer une panne de moteur ou endommager l'outil.
 - Ne pas fumer lors du remplissage du génératrice avec de l'essence.
 - Fermer le moteur et le laisser refroidir pour 5 minutes avant l'ajout de carburant ou la lubrification de la génératrice.
 - Ne pas retirer la jauge d'huile ou le bouchon du réservoir de carburant lorsque le moteur tourne.
 - Bien tenir compte de tous les autocollants de sécurité situés sur le génératrice.
 - Garder les enfants à un minimum de 3 m (10 pieds) du génératrice à tout moment.
 - L'unité fonctionne le mieux à des températures comprises entre -5 et 40 °C (23 et 104 °F) avec une humidité relative de 90 % ou moins.
 - Vérifier la tension et la fréquence requises avant de brancher tout équipement électronique sur le génératrice. Le génératrice peut se trouver endommagé si les appareils branchés ne sont pas prévus pour fonctionner à une tension égale à $\pm 10\%$ et une fréquence égale à ± 3 Hz de celles indiquées sur la plaque signalétique du génératrice.
 - Pour utilisation extérieure seulement.
 - Conserver ces instructions. Les consulter fréquemment et les utiliser pour instruire les autres utilisateurs éventuels. Si ce produit est prêté, il doit être accompagné de ces instructions.
- Ne pas utiliser cette génératrice pour alimenter les appareils d'urgence médicale ou le matériel de survie.
 - Toujours utiliser un détecteur de monoxyde de carbone fonctionnant sur piles lors de l'utilisation du génératrice. En cas de sensation de nausée, d'étourdissement ou de faiblesse lors de l'utilisation du génératrice, l'arrêter et aller immédiatement à l'air frais. Consulter un docteur. Il peut s'agir d'un empoisonnement au monoxyde de carbone.
 - Placer le génératrice sur une surface stable et plate avec une pente au plus 4 °.
 - Utiliser à l'extérieur dans un endroit bien ventilé et bien éclairé à l'écart des zones de travail pour éviter les interférences sonores.
 - L'utilisation du génératrice dans des conditions mouillées peut entraîner l'électrocution. Conserver l'unité au sec.
 - Garder le génératrice à au moins 1 m (3 pieds) de tout type de matériau combustible.

SYMBOLES

Les termes de mise en garde suivants et leur signification ont pour but d'expliquer le degré de risques associé à l'utilisation de ce produit.

SYMBOLE	SIGNAL	SIGNIFICATION
	DANGER :	Indique une situation dangereuse qui, si elle n'est pas évitée, aura pour conséquences des blessures graves, voire mortelles.
	AVERTISSEMENT :	Indique une situation dangereuse qui, si elle n'est pas évitée, aura pour conséquences des blessures graves ou mortelles.
	ATTENTION :	Indique une situation dangereuse qui, si elle n'est pas évitée, pourrait entraîner des blessures légères ou de gravité modérée.
	AVIS :	(Sans symbole d'alerte de sécurité) Indique les informations jugées importantes sans toutefois représenter un risque de blessure (ex. : messages concernant les dommages matériels).

Certains des symboles ci-dessous peuvent être utilisés sur le produit. Veiller à les étudier et à apprendre leur signification. Une interprétation correcte de ces symboles permettra d'utiliser le produit plus efficacement et de réduire les risques.

SYMBOLE	NOM	DÉSIGNATION / EXPLICATION
	Alerte de sécurité	Indique un risque de blessure potentiel.
	Lire manuel d'utilisation	Pour réduire les risques de blessures, l'utilisateur doit lire et veiller à bien comprendre le manuel d'utilisation avant d'utiliser ce produit.
	Avertissement concernant l'humidité	Ne pas exposer à la pluie ou l'humidité.
	Choc électrique	Une utilisation de l'équipement dans des conditions non sèches et le non-respect des méthodes sans danger peuvent entraîner un choc électrique.
	Vapeurs toxiques	Durant le fonctionnement, le générateur émet du monoxyde de carbone, un gaz toxique inodore et incolore. Respirer le monoxyde de carbone peut entraîner des nausées, des évanouissements, voire la mort.
	Incendie/explosion	Le carburant et ses vapeurs sont extrêmement inflammables et explosifs. Un incendie ou une explosion peut entraîner des brûlures graves, voire la mort.
	Surface brûlante et gaz d'échappement	Pour réduire les risques de blessures ou de dommages, éviter tout contact avec les surfaces brûlantes et ne pas positionner toute partie du corps dans le passage de gaz d'échappement chauds.
	Danger au levage	Pour réduire le risque de blessures graves, éviter de lever le générateur seul.
	Mise à la terre	Consulter un électricien local pour déterminer les exigences de mise à la terre avant le fonctionnement.

SYMBOLES

Certains des symboles ci-dessous peuvent être utilisés sur le produit. Veiller à les étudier et à apprendre leur signification. Une interprétation correcte de ces symboles permettra d'utiliser le produit plus efficacement et de réduire les risques.

SYMBOLE	NOM	DÉSIGNATION / EXPLICATION
V	Volts	Tension
A	Ampères	Courant
Hz	Hertz	Fréquence (cycles par seconde)
W	Watt	Puissance
hrs	Heures	Durée
gal	Gallon	Volume
qt	Quart	Volume

AUTOCOLLANTS DE SÉCURITÉ

Les informations ci-dessous se trouvent sur le génératrice. Pour des raisons de sécurité, étudier et comprendre tous les autocollants avant de mettre le génératrice en marche.

Si un autocollant se détache ou devient illisible, contacter a clientèle ou le centre de réparations qualifié pour obtenir un autocollant de rechange.

- Ne pas procéder de la manière décrite dans ce manuel d'utilisation entraînera des BLESSURES GRAVES voire la MORT.
- Risque d'incendie. Ne pas ajouter de carburant pendant l'utilisation de l'appareil.
- Le génératrice est une source potentielle de chocs électriques. Ne pas exposer à l'humidité, la pluie ou la neige. Ne pas utiliser avec les mains ou les pieds mouillés.
- L'échappement contient le gaz monoxyde de carbone toxique qui peut causer l'inconscience ou la MORT les

secteurs bien ventilés et extérieurs loin d'ouvre des fenêt ou des portes.


- Ne pas exposer à la pluie ou l'humidité.
- L'utilisation d'une génératrice à l'intérieur PEUT VOUS TUER EN QUELQUES MINUTES. Les génératrices produisent du monoxyde de carbone, un gaz mortel incolore et inodore.
- NE JAMAIS utiliser à l'intérieur d'une maison ou d'un garage, MÊME SI les portes et les fenêtres sont ouvertes.
- Utiliser uniquement À L'EXTÉRIEUR et loin des fenêtres, des portes et des événements.

AVERTISSEMENT CONCERNANT LE CARBURANT


Ne pas fumer lors du plein. Ne pas trop remplir. Le plein est obtenu à 25,4 mm (1 po) en dessous du haut du goulot de remplissage. Arrêter le moteur pendant cinq minutes avant de faire le plein pour éviter que la chaleur du silencieux n'allume les vapeurs de carburant.

⚠ DANGER

Using a generator indoors CAN KILL YOU IN MINUTES. Generator exhaust contains carbon monoxide. This is a poison you cannot see or smell.



NEVER use inside a home or garage, EVEN IF doors and windows are open.



Only use OUTSIDE and far away from windows, doors, and vents.

⚠ DANGER

L'utilisation d'une génératrice à l'intérieur PEUT VOUS TUER EN QUELQUES MINUTES. Les génératrices produisent du monoxyde de carbone, un gaz mortel incolore et inodore. NE JAMAIS utiliser à l'intérieur d'une maison ou d'un garage, MÊME SI les portes et les fenêtres sont ouvertes. Utiliser uniquement À L'EXTÉRIEUR et loin des fenêtres, des portes et des événements.

⚠ PELIGRO

Usar un generador en el interior PUEDE MATARLO EN POCOS MINUTOS. Los gases de escape del generador contienen monóxido de carbono. Es un veneno que no puede verse ni olerse. NUNCA lo use dentro de su hogar o del garaje, INCLUSO con las puertas y las ventanas abiertas. Sólo utilícelo AL AIRE LIBRE y lejos de ventanas, puertas y respiraderos.

⚠ DANGER ⚠ DANGER ⚠ PELIGRO



You WILL be KILLED or SERIOUSLY HURT if you do not follow the Operator's Manual instructions.

Ne pas procéder de la manière décrite dans ce Manuel d'utilisation entraînera des BLESSURES GRAVES voire la MORT.

SE MATARÁ o LESIONARÁ GRAVEMENTE si no sigue las instrucciones del Manual del operador.



Exhaust contains poisonous carbon monoxide gas that can cause unconsciousness or DEATH. Operate in well ventilated, outdoor areas away from open windows or doors.

L'échappement contient le gaz monoxyde de carbone toxique qui peut causer l'inconscience ou la MORT. Fonctionner dans les secteurs bien ventilés et extérieurs loin d'ouvre des fenêtres ou des portes.

El escape contiene gas venenoso de monóxido de carbono que puede causar pérdida del conocimiento o MUERTE. Opere en áreas exteriores bien ventiladas lejos de puertas o ventanas abiertas.



Risk of fire. Do not add fuel while the product is operating.

Risque d'incendie. Ne pas ajouter de carburant pendant l'utilisation de l'appareil.

Riesgo del incendio. No agregue combustible cuando el producto esté funcionando.



Generator is a potential source of electric shock. Do not expose to moisture, rain, or snow. Do not operate with wet hands or feet.

Le générateur est une source potentielle de chocs électriques. Ne pas exposer à l'humidité, la pluie ou la neige. Ne pas utiliser avec les mains ou les pieds mouillés.

El generador es una fuente de descarga eléctrica. No lo exponga a humedad, la lluvia, nin a la nieve. No opere con manos o pies húmedos.



Do not expose to rain or use in damp locations.

Ne pas exposer à la pluie ou l'humidité.

No exponga a la lluvia ni use en lugares húmedos.

940654323-01

SYMBOLES

AVERTISSEMENT AU SUJET DU CAPUCHON DU RÉSERVOIR D'ESSENCE

Ne jamais retirer le capuchon du réservoir d'essence pendant que l'appareil fonctionne. Éteindre le moteur et laisser refroidir l'appareil pendant au moins cinq minutes. Retirer lentement le capuchon afin de relâcher tout bâti de pression du système de carburant et éviter que la chaleur du silencieux n'enflamme les vapeurs d'essence.

AVERTISSEMENT CONCERNANT LE LUBRIFIANT MOTEUR

Ajouter de le lubrifiant avant l'utilisation initiale du génératrice. La contenance du réservoir est de 13,5 oz. (0,42 quarts). Toujours vérifier le niveau de lubrifiant avant chaque utilisation. Le niveau de lubrifiant doit toujours se trouver dans la zone hachurée de la jauge. Cette unité est équipée d'un capteur d'huile qui coupe automatiquement le moteur si le niveau de lubrifiant descend à un niveau dangereux.

AVIS DE RANGEMENT

Toujours ranger la génératrice sur ses pieds. Ne jamais ranger l'appareil sur le côté ou dans une position verticale.


AVERTISSEMENT UN ESPACE LIBRE

Pendant le fonctionnement ou lors du rangement, allouez un espace libre de 91,4 cm (3 pi) de chaque côté et au-dessus de la génératrice. Laisser refroidir l'appareil au moins 30 minutes avant de le ranger. La chaleur crée par le tuyau et les gaz d'échappement peut être suffisamment chaude pour causer des brûlures graves ou enflammer des objets combustibles.

MISE À LA TERRE - AVERTISSEMENT

Le piquet de prise de terre ou le fil de cuivre n'est pas fourni avec cette génératrice. Appeler un électricien qualifié pour connaître les exigences locales de mise à la terre.

⚠ DANGER ⚠ DANGER ⚠ PELIGRO

 **RISK OF FIRE AND SERIOUS BURNS:** Never remove fuel cap when unit is running. Shut off engine and allow the unit to cool at least five minutes. Remove cap slowly.

RISQUE D'INCENDIE ET DE BLESSURES GRAVES: Ne jamais retirer le capuchon du réservoir d'essence pendant que l'appareil fonctionne. Éteindre le moteur et laisser refroidir l'appareil pendant au moins cinq minutes. Retirer lentement le capuchon.

RIESGO DE INCENDIOS Y LESIONES POR QUEMADURAS: Nunca retire la tapa de combustible mientras está encendida la unidad. Apague el motor y deje enfriar la unidad durante al menos cinco minutos. Retire la tapa lentamente.

USE FUEL STABILIZER FOR STORAGE
UTILISEZ UN STABILISATEUR DE CARBURANT POUR LE STOCKAGE
EL USO DEL ESTABILIZADOR DE COMBUSTIBLE PARA EL ALMACENAMIENTO


940970305-01

NOTICE AVIS AVISO

Add lubricant to full mark to start. Engine will not start or will shut off if sensor detects low lubricant level.

Ajouter de lubrifiant jusqu'au repère de remplissage pour démarrer. Le moteur ne démarre pas ou s'éteint si le capteur détecte le niveau de lubrifiant faible.

Añada lubricante hasta la marca de lleno para arrancar. El motor no arranca o se apaga si sensor detecta el nivel de lubricante de baja.



NOTICE / AVIS / AVISO

Do not store unit vertically.
Ne stockez pas l'unité verticalement.
No almacene la unidad verticalmente.

⚠ WARNING ⚠ AVERTISSEMENT ⚠ ADVERTENCIA


Product does not include ground rod or copper wire. Call a qualified electrician for local grounding requirements.

Le produit ne comprend pas de piquet de terre ou de fil en cuivre. Appeler un électricien qualifié pour connaître les exigences locales de mise à la terre.

El producto no incluye el cable de cobre ni la barra de conexión a tierra. Comuníquese con un electricista calificado para todo lo relacionado con los requisitos de conexión a tierra.

940513030-02

⚠ DANGER ⚠ DANGER ⚠ PELIGRO




 Risk of Fire. Keep all objects at least 3 feet away from this machine. Heat from Muffler and Exhaust gases can ignite combustible objects. Check for any fuel overflow or leaking. Stop the engine before refueling.

Risque d'incendie. Éloigner tous les objets au moins de 91,4 cm (3 pi) de cet appareil. La chaleur du pot d'échappement et les gaz d'échappement peuvent enflammer les objets combustibles. Vérifier l'absence de débordement ou de fuite de carburant. Arrêter le moteur avant de faire le plein.

Riesgo de incendio. Mantener todos los objetos a una distancia mínima de 91,4 cm (3 pies) de esta máquina. El calor de los gases del silenciador y el escape pueden prender fuego a objetos combustibles. Revise si hay algún derrame o fuga de combustible. Tópe el motor antes de poner combustible.

940970305-01

NOTICE

DO NOT USE FUEL CONTAINING MORE THAN 10% ETHANOL. IT IS A VIOLATION OF U.S. FEDERAL LAW, WILL DAMAGE YOUR PRODUCT, AND VOID THE WARRANTY.

PARE-ÉTINCELLES

L'utilisation de cet équipement peut créer des étincelles susceptibles d'enflammer la végétation sèche. Il peut être nécessaire d'utiliser un pare-étincelles. L'utilisateur doit communiquer avec le service local d'incendie pour connaître toutes les lois et tous les règlements portant sur les exigences en matière de prévention des incendies.

AVERTISSEMENT CONCERNANT LES SURFACES BRÛLANTES

Ne pas toucher le silencieux ou le cylindre en aluminium du moteur. Ils sont BRÛLANTS et peuvent causer de graves brûlures. Ne mettre aucun toute partie du corps ou matériau inflammable ou combustible sur le chemin direct de l'échappement.

⚠ WARNING ⚠ AVERTISSEMENT ⚠ ADVERTENCIA

Operation of this equipment may create sparks that can start fires around dry vegetation. A spark arrester may be required. The operator should contact local fire agencies for laws or regulations relating to fire prevention requirements.

L'utilisation de cet équipement peut créer des étincelles susceptibles d'enflammer la végétation sèche. Il peut être nécessaire d'utiliser un pare-étincelles. L'utilisateur doit communiquer avec le service local d'incendie pour connaître toutes les lois et tous les règlements portant sur les exigences en matière de prévention des incendies.

El uso de este equipo puede producir chispas propensas a iniciar incendios cerca de vegetación seca. Es posible que se necesite un parachispas. El operador debe ponerse en contacto con las agencias contra incendios locales para conocer las leyes y regulaciones relacionadas con los requisitos de prevención de incendios.



⚠ WARNING
HOT SURFACE AND EXHAUST
⚠ AVERTISSEMENT
SURFACE ET ÉCHAPPEMENT CHAUDS
⚠ ADVERTENCIA
SUPERFICIE Y DE ESCAPE ESTÉN CALIENTE.

940947035-01

CARACTÉRISTIQUES ÉLECTRIQUES

TAILLE DU CÂBLE DU CORDON PROLONGATEUR

Voir le tableau ci-dessous pour vérifier que la taille de câble des cordons prolongateurs utilisés est capable de porter la charge requise. Des tailles de câbles inadéquates peuvent causer une chute de tension qui peut détériorations l'appareil et surchauffer le cordon.

Courant en ampères	Charge en watts		Longueur de cordon permise maximum				
	À 120 V	À 240 V	Fil de calibre 8	Fil de calibre 10	Fil de calibre 12	Fil de calibre 14	Fil de calibre 16
2,5	300	600		305 m (1 000 pieds)	183 m (600 pieds)	114 m (375 pieds)	76 m (250 pieds)
5	600	1 200		152 m (500 pieds)	91 m (300 pieds)	61 m (200 pieds)	38 m (125 pieds)
7,5	900	1 800		107 m (350 pieds)	61 m (200 pieds)	38 m (125 pieds)	31 m (100 pieds)
10	1 200	2 400		76 m (250 pieds)	46 m (150 pieds)	31 m (100 pieds)	15 m (50 pieds)
15	1 800	3 600		46 m (150 pieds)	31 m (100 pieds)	20 m (65 pieds)	
20	2 400	4 800	53 m (175 pieds)	38 m (125 pieds)	23 m (75 pieds)		
25	3 000	6 000	46 m (150 pieds)	31 m (100 pieds)			
30	3 600	7 200	38 m (125 pieds)	20 m (65 pieds)			
40	4 800	9 600	27 m (90 pieds)				

CHARGES DU MOTEUR ÉLECTRIQUE

Les moteurs électriques courants en fonctionnement normal tirent jusqu'à six fois leur courant de fonctionnement lors du démarrage. Ce tableau peut être utilisé pour estimer les watts requis pour démarrer les moteurs électriques ; cependant, si un moteur électrique ne démarre pas ou n'atteint pas sa vitesse de fonctionnement, éteindre immédiatement l'appareil ou l'outil pour éviter d'endommager l'équipement. Toujours vérifier les exigences de l'outil ou de l'appareil utilisé par rapport à la sortie nominale du génératrice.

Taille du moteur (ch)	Watts de fonctionnement	Watts requis pour le démarrage du moteur		
		Universel	Condensateur	Phase auxiliaire
1/8	275	N/A	850	1 200
1/6	275	600	850	2 050
1/4	400	800	1 050	2 400
1/3	450	950	1 350	2 700
1/2	600	1 000	1 800	3 600
3/4	850	1 200	2 600	—
1	1 100	N/A	3 300	—

AVIS :

Vérifier la tension et la fréquence requises avant de brancher tout équipement électronique sur le génératrice. Le génératrice peut se trouver endommagé si les appareils branchés ne sont pas prévus pour fonctionner à une tension égale à $\pm 10\%$ et une fréquence égale à ± 3 Hz de celles indiquées sur la plaque signalétique du génératrice. Pour éviter tout dommage, toujours brancher une charge additionnelle sur le génératrice lorsqu'un appareil à circuits intégrés (tel qu'un téléviseur) est utilisé. Une varistance peut être aussi nécessaire pour certaines applications, dans le cas d'un ordinateur, par exemple. Une varistance peut être aussi nécessaire pour certaines applications de l'équipement en solide.

CARACTÉRISTIQUES ÉLECTRIQUES

CAPACITÉ DU GÉNÉRATRICE

S'assurer que le générateur peut fournir les watts continus (de fonctionnement) et de surtension (démarrage) suffisants pour tous les articles alimentés au même moment. Suivre ces simples étapes.

1. Sélectionner les articles qui seront alimentés au même moment.
2. Faire le total des watts continus (de fonctionnement) de ces articles. Ceci correspond à la somme de puissance que le générateur doit produire pour que ces articles puissent fonctionner. Voir le tableau de référence de wattage à droite.
3. Déterminer les watts de surtension (démarrage) nécessaires. Les watts de surtension correspondent à la courte pointe de puissance nécessaire pour démarrer les outils ou les appareils à moteur électriques, tels que les scies circulaires ou les réfrigérateurs. Les moteurs ne démarrant pas tous au même moment, le total des watts de surtension peut être déterminé en ajoutant uniquement les articles au wattage de surtension supplémentaire le plus élevé au wattage nominal total de l'étape 2.

Exemple :

Outil ou appareil	Wattage continu*	Wattage de surtension*
Réfrigérateur	700	780
Ventilateur portatif	40	120
Ordinateur portable	250	0
Téléviseur à écran plat de 116,8 cm (46 po)	190	0
Lampes (75 Watts)	75	0
	1 255 Wattage de fonctionnement total	780 Wattage de surtension maximum

Wattage continu total	1 255
Wattage de surtension supplémentaire max.	+ 780
Wattage de surtension totale requise	1935

GESTION DE L'ÉNERGIE

Pour prolonger la durée de vie du générateur et des appareils reliés, il est important d'effectuer l'ajout de charges électriques supplémentaires au générateur avec soin. Rien ne doit être connecté aux sorties du générateur avant le démarrage du moteur. Une gestion correcte et en toute sécurité de l'énergie du générateur consiste à ajouter des charges en séquence :

1. Sans appareil connecté au générateur, mettre le moteur en marche de la façon décrite dans ce manuel.
2. Brancher et mettre en marche la première charge, de préférence la plus importante.

3. Laisser la sortie du générateur se stabiliser (le moteur tourne régulièrement et l'appareil relié fonctionne correctement).
4. Brancher et mettre la charge suivante en marche.
5. Une fois de plus, laisser le générateur se stabiliser.
6. Répéter les étapes 4 et 5 pour chaque charge supplémentaire.

Ne jamais ajouter de charges supérieures à la capacité du générateur. Bien veiller à considérer les charges de surtension comme décrit précédemment.

AVIS :

Ne pas surcharger la capacité du générateur. Le dépassement de la capacité du wattage/de l'ampérage du générateur peut endommager le générateur et/ou les appareils électriques qui lui sont reliés.

Application/Equipo	Watts de fonctionnement estimé*	Watts démarrage estimé*
Urgence / à la maison de secours		
Lampes (qté. 4 x 75 W)	300	0
Réfrigérateur	600	780
Téléviseur à écran plat de 116,8 cm (46 po)	190	0
Récepteur satellite	250	0
Ventilateur portatif	40	120
Radiateur	1300	1300
Ordinateur portable	250	0
Mijoteuse	270	0
Radio	200	0
Site de travail		
Perceuse électrique – 3/8 ch	440	600
Lampe de travail quartz-halogène	1000	0
Scie alternative	960	960
Scie circulaire – 184 mm (7-1/4 po)	1400	2300
Scie à onglet – 254 mm (10 po)	1800	1800
Compresseur à air - 1/4 ch	970	1600
Pulvérisateur sans air – 1/3 ch	600	1200

*Les wattages indiqués sont approximatifs. Vérifier le wattage sur l'outil ou l'appareil.

CARACTÉRISTIQUES

FICHE TECHNIQUE

MOTEUR

Type de moteur..... 80 cc Soupape en tête
Bougie Torch E6RTC ou équivalentes
Volume de remplissage de lubrifiant .. Environ 0,35 l (12 oz)
Volume de carburant4,54 l (1,2 gal)

*Sortie nominale déterminé par la norme G300 de la PGMA

GÉNÉRATRICE

Tension nominale..... 120 V AC/5 V DC
Ampérage nominal15A AC/2,1 A DC
Sortie nominale* 1 800 W
Watts requis au démarrage 2 300 W
Fréquence nominale..... 60 Hz

BIEN CONNAÎTRE LE GÉNÉRATRICE

Voir la figure 1.

L'utilisation sûre de ce produit exige une compréhension des renseignements figurant sur le produit et contenus dans le manuel d'utilisation, ainsi qu'une bonne connaissance du projet entrepris. Avant d'utiliser ce produit, se familiariser avec toutes ses caractéristiques et règles de sécurité.

PRISES DE 120 V C.A.

La génératrice comprend deux prises monophasées de 60 Hz, 120 V c.a., 20 A. Elles peuvent être utilisées pour le fonctionnement d'appareils, d'éclairage électrique, d'outils et de charges de moteur adéquats.

FILTRE À AIR

Les filtre à air permet de limiter la quantité de poussière et de saleté pénétrant dans l'unité lors du fonctionnement.

MODE DE MARCHÉ AU RALENTI AUTOMATIQUE

L bouton de mode de marche au ralenti automatique est utilisé pour contrôler la vitesse du moteur et économiser le carburant. Lorsque ralenti automatique est réglé à marche et qu'aucun appareil n'est relié à l'unité, le moteur passe au mode de ralenti. Si un appareil est ajouté, la vitesse du moteur augmente pour le faire fonctionner. Si l'appareil est retiré, le moteur revient au mode de ralenti.

POIGNÉES DE TRANSPORT

La génératrice comprends le poignées pour faciliter le transport. Les poignées devraient être utilisées pour porter le génératrice.

CADRAN LE EASY START

Le cadran le Easy Start est utilisé pour démarrer, arrêter et faire fonctionner le moteur. Il contrôle le volet de départ et le robinet de carburant.

RÉSERVOIR DE CARBURANT

Le réservoir de carburant a une contenance de 4,54 l (1,2 gal)

GENCONTROL™ AVEC BLUETOOTH®

Le système de surveillance GENControl™ avec Bluetooth® suit le niveau de carburant, le temps de fonctionnement, le ralenti automatique et la charge.

BORNE DE TERRE

La borne de terre permet d'obtenir une bonne mise à la terre du génératrice pour la protection contre les chocs électriques. Consulter un électricien qualifié local pour connaître les exigences régionales de mise à la terre.

PROTECTEUR D'ARRÊT EN CAS DE BAS NIVEAU D'HUILE

Le détecteur de bas niveau d'huile entraîne l'arrêt du moteur si le niveau de lubrifiant dans le carter est insuffisant.

BOUCHON / JAUGE D'HUILE

Retirer le bouchon de remplissage d'huile pour vérifier le niveau d'huile et faire l'appoint selon le besoin.

ENSEMBLE POUR BORNE EN PARALLÈLE

Les non polarisée borne en parallèles sont utilisés avec une borne en parallèle (vendus séparément) qui permettra des génératrices être ensemble relié à augmenter la production.

AVIS :

Ne pas débrancher les câbles pendant le fonctionnement le génératrice. Le génératrice ou de la charge peuvent être endommagés.

NOTE : Lire et comprendre les instructions borne en parallèles avant l'usage. Cette borne est pour l'usage avec cette unité seulement.

LANCEUR À RAPPEL

La poignée du lanceur à rappel est utilisée (avec le cadran le Easy Start) pour mettre le génératrice du moteur en marche.

CARACTÉRISTIQUES

BOUTON DE RÉARMEMENT

Le bouton de réarmement est utilisé pour restaurer l'alimentation si une surcharge arrive. Pour restaurer l'alimentation, retirez la fin charge électrique ajouté, puis appuyer sur le bouton reset (réinitialiser).

POIGNÉE RÉTRACTABLE

La génératrice comprend une poignée rétractable qui peut être ajustée aux fins d'entreposage et de transport.

PORTS USB

Deux ports de charge de 5 VCC, 2,1 ampères USB dédiés pour charger la plupart des dispositifs USB compatibles.

ASSEMBLAGE

DÉBALLAGE

Ce produit a été expédié complètement assemblé.

- Avec précaution, sortir l'outil et les accessoires de la boîte. S'assurer que toutes les pièces figurant sur la liste de contrôle sont incluses.

AVERTISSEMENT :

Ne pas utiliser le produit s'il n'est pas complètement assemblé ou si des pièces semblent manquantes ou endommagées. Le fait d'utiliser un produit assemblé de façon inadéquate ou incomplète peut entraîner des blessures graves.

- Examiner soigneusement l'unité pour s'assurer que rien n'a été brisé ou endommagé en cours de transport.
- Ne pas jeter les matériaux d'emballage avant d'avoir soigneusement examiné le produit et vérifié qu'il fonctionne correctement.
- Si des pièces manquent ou sont endommagées, appeler le 1-800-860-4050 pour obtenir de l'aide.

LISTE DES PIÈCES

Génératrice
Lubrifiant de moteur (SAE 10W 30)
Entonnoir
Clé à bougie
Manuel d'utilisation

AVERTISSEMENT :

Si des pièces manquent ou sont endommagées, ne pas utiliser ce produit avant qu'elles aient été remplacées. Le fait d'utiliser ce produit même s'il contient des pièces endommagées ou s'il lui manque des pièces peut entraîner des blessures graves.

AVERTISSEMENT :

Ne pas essayer de modifier ce produit ou de créer des accessoires non recommandés pour ce produit. De telles altérations ou modifications sont considérées comme un usage abusif et peuvent créer des conditions dangereuses pouvant entraîner des blessures graves.

UTILISATION

DANGER :

Monoxyde de Carbone. Utiliser une génératrice à l'intérieur d'un bâtiment CAUSERA LA MORT EN QUELQUES MINUTES.

Le tuyau d'échappement de la génératrice contient un niveau élevé de monoxyde de carbone (CO), lequel s'avère être un gaz poison inodore et invisible. Si vous pouvez sentir les gaz du tuyau d'échappement de la génératrice, vous respirez du CO. Mais, même si vous ne pouvez pas sentir les gaz provenant du tuyau d'échappement, vous pourriez être en train de respirer du CO.

- Ne jamais utiliser une génératrice à l'intérieur d'une maison, des garages, des petits espaces, ou autres aires restreintes partiellement fermées. Des niveaux mortels de monoxyde de carbone peuvent s'accumuler dans ces aires restreintes. Utiliser un ventilateur ou ouvrir une fenêtre ou les portes NE fournies PAS assez d'air frais à respirer.
- Utilisez SEULEMENT la génératrice à l'extérieur et loin des fenêtres ouvertes, des portes ouvertes, et des bouches d'aérations. Ces ouvertures peuvent tirer l'air provenant du tuyau d'échappement.

Même si vous utilisez une génératrice correctement, des gaz CO peuvent toujours s'infiltrer dans la maison. TOUJOURS utiliser une alarme de monoxyde de carbone à piles dans votre maison.

Si vous ressentez que vous commencez à être étourdi ou faible suite au fonctionnement de la génératrice, allez prendre l'air frais IMMÉDIATEMENT. Consultez un médecin. Vous pourriez avoir un empoisonnement au monoxyde de carbone.

AVERTISSEMENT :

Le Code national de l'électricité n'exige pas que cette génératrice soit mise à la terre si elle est utilisée **uniquement** avec un équipement à cordon ou à connecteur mâle. Cependant, les autres méthodes utilisées avec cette génératrice nécessitent une mise à la terre afin de réduire le risque de décharge électrique et d'électrocution. Consulter un électricien qualifié, un inspecteur en électricité ou l'organisme local gérant les règlements locaux ou les lois afin de connaître les exigences de mise à la terre selon votre situation avant d'utiliser la génératrice.

AVERTISSEMENT :

La familiarité avec l'appareil ne doit pas faire oublier la vigilance. Ne pas oublier qu'une fraction de seconde d'inattention peut entraîner des blessures graves.

AVERTISSEMENT :

N'utiliser ni accessoires, ni outils non recommandés par le fabricant de ce produit. L'utilisation de pièces et accessoires non recommandés peut entraîner des blessures graves.

AVIS :

Ce produit est équipé d'un pare-étincelles qui a été évalué par le Service forestier des États-Unis; cependant, les utilisateurs du produit doivent respecter les réglementations locales et gouvernementales de lutte contre l'incendie. Consulter les autorités appropriées. Contacter le service à la clientèle ou un centre de réparations qualifié pour acheter un pare-étincelles de rechange.

AVIS :

Avant chaque utilisation, inspecter au complet le produit afin de s'assurer qu'aucune pièce (vis, écrous, boulons, chapeaux, etc.) n'est endommagée, manquante ou desserrée. Serrer solidement toutes les pièces de fixation et les chapeaux et ne pas utiliser le produit tant que toutes les pièces manquantes ou endommagées n'ont pas été remplacées. Veuillez communiquer avec le service à la clientèle ou un centre de réparations qualifié pour obtenir de l'aide.

APPLICATIONS

Cette génératrice est conçue pour fournir une alimentation électrique pour le fonctionnement d'éclairages, d'appareils, d'outils et de charges de moteur compatibles.

AVANT D'UTILISER L'UNITÉ

- Utiliser seulement À L'EXTÉRIEUR et au moins à 6 m (20 pi) des loin de toutes fenêtres, portes ou bouches d'aération tel que recommandée par le Service de santé et les Centres pour le contrôle et la prévention des maladies américains. Le type de maison et les conditions du vent peuvent exiger une distance plus grande.
- NE JAMAIS utiliser à l'intérieur d'une maison ou d'un garage, MÊME SI les portes et les fenêtres sont ouvertes.
- Toujours poser la génératrice sur une surface stable et plate.

EXIGENCES PARTICULIÈRES :

Il existe peut-être des règlements en matière de santé et sécurité au travail (OSHA aux É.-U.), des règlements ou lois locales s'appliquant à l'utilisation prévue de cette génératrice.

Veuillez consulter un électricien qualifié, un inspecteur en électricité ou un organisme local connaissant les codes et les règlements locaux :

UTILISATION

- Certaines régions obligent l'enregistrement des génératrices auprès des entreprises de service locales.
- Des règlements additionnels peuvent être imposés lorsque la génératrice est utilisée sur un chantier de construction.

UTILISATION DU PORT USB DÉDIÉ À LA CHARGE

Voir la figure 1.

NOTE: The LCD display will not work unless the unit is running.

Le port USB dédié à la charge est utilisé pour charger la plupart des dispositifs acceptant une charge par port USB.

- Port USB supérieur pour brancher les MP3, téléphones cellulaires ou autres petits dispositifs USB (jusqu'à 1,9 A).
- Port USB inférieur pour brancher les tablettes et les dispositifs à courant de charge élevée (jusqu'à 2,1 A).

NOTE : Le port USB dédié à la charge n'offre qu'une source d'alimentation; il n'offre aucune capacité de communication. Un câble USB approprié doit être fourni par l'utilisateur.

ÉCRAN ACL GENCONTROL™

Voir la figure 2.

Niveau de carburant :

L'indicateur du niveau de carburant vous montrera combien de carburant il reste.

Niveau de charge :

L'indicateur du niveau de charge vous montrera la charge connectée. Si la génératrice approche la capacité maximale de wattage et d'ampérage, l'indicateur clignotera. Si la capacité de charge est excédée, l'écran ACL affichera OVERLOAD (SURCHARGE). Pour réinitialiser la génératrice, retirez toutes les charges de la génératrice et appuyez sur le bouton de réinitialisation (voir la fig. 1). Rajoutez les charges à la génératrice une à la fois en prenant garde de ne pas excéder la puissance nominale de la génératrice.

Temps de fonctionnement :

L'écran ACL affichera une approximation du temps de fonctionnement selon le niveau de carburant et la charge.

Ralenti automatique :

L'écran ACL affichera si le ralenti est en marche ou non.

BLUETOOTH® :

Lorsqu'il est jumelé, l'écran ACL indiquera si l'application GENControl™ est connectée par Bluetooth®.

VÉRIFICATION/AJOUT DE LUBRIFIANT

Voir la figure 3.

AVIS :

Une tentative de démarrage du moteur avant le remplissage en lubrifiant correct entraîne une panne de l'équipement.

NOTE : Si un manuel du moteur est fourni avec ce produit, veuillez respecter les instructions présentées dans le manuel du moteur au lieu des informations ci-dessous.

Le lubrifiant moteur a une influence majeure sur la performance du moteur et la durée de service. De manière générale et pour toutes températures, de l'huile SAE 10W-30 est recommandée. Toujours utiliser une huile moteur à 4 temps conforme ou supérieure aux exigences de service SJ API.

Ce moteur est doté d'un dispositif qui arrête le moteur lorsque le niveau de lubrifiant est incorrect. Le moteur ne redémarre pas tant que le niveau de lubrifiant correct n'est pas atteint.

NOTE : Des lubrifiants moteur 2 temps non détergentes endommageront le moteur et ne doivent pas être utilisés.

- Desserrez le bouton sur le côté du couvercle du moteur. Retirez le couvercle et mettez de côté.
- Dévisser le capuchon d'huile/la jauge et les retirer.
- Essuyer la jauge et l'insérer de nouveau dans le trou sans visser.
- Retirer une nouvelle fois la jauge et vérifier le niveau de lubrifiant. Le niveau de lubrifiant doit être compris entre les niveaux minimal et maximal indiqués sur la jauge.
- Si le niveau est faible, ajouter de l'huile moteur jusqu'à ce que le niveau se situe entre les niveaux minimal et maximal indiqués sur la jauge.
- Réinstaller et serrer le bouchon d'huile/la jauge.
- Réinstallez le couvercle.

UTILISATION DE STABILISATEUR DE CARBURANT

Le carburant défraîchit, s'oxyde et se dégrade avec le temps. L'ajout de stabilisateur de carburant allonge la durée d'utilisation du carburant et permet d'éviter la formation de dépôts pouvant obstruer le circuit de carburant. Suivre les instructions du fabricant de stabilisateur de carburant pour le rapport stabilisateur/carburant correct.

- Mélanger le stabilisateur de carburant et le carburant avant de remplir le réservoir en utilisant un contenant à carburant ou tout autre récipient pour carburant approuvé et agiter légèrement pour bien mélanger.

NOTE : Pour maîtriser la quantité de stabilisateur de carburant à ajouter au moteur, toujours mélanger le stabilisateur de carburant et le carburant avant de remplir le réservoir plutôt qu'ajouter le stabilisateur de carburant directement dans le réservoir de carburant de la génératrice.

- Remplacer et serrer le bouchon.
- Mettre le moteur en marche et le faire tourner pendant au moins 5 minutes pour que le stabilisateur pénètre dans tout le circuit de carburant.

UTILISATION

CARBURANTS À BASE D'ÉTHANOL

AVIS :

Ne pas utiliser d'essence E15 ou E85 dans ce produit. Une telle utilisation représente une violation de la loi fédérale et endommagera l'appareil et annulera la garantie. Utiliser seulement de l'essence sans plomb ne contenant pas plus de 10 % d'éthanol.

AJOUT DE CARBURANT

Voir la figure 4.

DANGER :

Risque d'incendie et de blessures graves : Ne jamais retirer le capuchon du réservoir d'essence pendant que l'appareil fonctionne. Éteindre le moteur et laisser refroidir l'appareil pendant au moins cinq minutes. Retirer lentement le capuchon.

AVERTISSEMENT :

L'essence et ses vapeurs sont extrêmement inflammables et explosives. Pour éviter blessures et dommages matériels, manipuler l'essence avec prudence. Garder à l'écart des sources d'allumage, manipuler en plein air uniquement, ne pas fumer lors de l'appoint de carburant et essuyer immédiatement tout carburant répandu.

Lors de l'appoint de carburant du générateur, vérifier que la machine se trouve sur une surface plane et horizontale. Si le moteur est très chaud, laisser le générateur refroidir pendant 5 minutes avant d'ajouter de l'essence. TOUJOURS faire l'appoint de carburant à l'extérieur.

- Tourner la cadran le Easy Start à la position « OFF/STORAGE » (arrêt).
- Retirer lentement le bouchon du réservoir de carburant.
- Remplir le réservoir de carburant à 25,4 mm (1 po) en dessous du haut du goulot du réservoir de carburant.
- Replacer et serrer le bouchon.

AVERTISSEMENT :

Toujours arrêter le moteur avant de faire le plein de carburant. Ne jamais retirer le bouchon du réservoir d'essence lorsque le moteur tourne ou est chaud. S'assurer que l'unité repose sur une surface plane, à niveau et de remplir seulement à l'extérieur. Si le moteur est chaud, laisser refroidir l'unité pendant au moins cinq (5) minutes avant d'ajouter de l'essence. Remettre immédiatement le bouchon du réservoir d'essence et le serrer fermement. S'éloigner d'au moins 9 m (30 pi) du point de ravitaillement avant de lancer le moteur. Ne pas fumer, et rester à l'écart des flammes vives et des étincelles ! Ne pas respecter ces instructions représente un risque d'incendie et de blessures graves.

NOTE : Toujours utiliser de l'essence sans plomb avec un indice d'octane de 86 ou plus. Ne jamais utiliser du carburant vieux, éventé ou contaminé et ne pas utiliser de mélange lubrifiant /carburant. Ne pas laisser la poussière ou l'eau pénétrer dans le réservoir de carburant. **Ne pas utiliser le carburant E85.**

MISE EN MARCHÉ DU MOTEUR

Voir les figures 5 à 7.

AVIS :

Sur une surface à niveau, avec le moteur sur arrêt, vérifier le niveau lubrifiant avant chaque utilisation du génératrice.

NOTE : Si l'emplacement de génératrice n'est pas à niveau, l'unité peut ne pas démarrer ou peut s'arrêter durant le fonctionnement.

Pour commencer le générateur la première fois :

- Ajouter le lubrifiant de moteur par les instructions de l'utilisateur.
- Tourner la cadran le Easy Start à la position « COLD START (CHOKE) » (démarrage à froid).
- Remplir le réservoir de carburant par les instructions de l'utilisateur.
- Tirer le lanceur à rappel normalement jusqu'à ce que le moteur démarre.
- Laisser le moteur fonctionner pendant 15 à 30 secondes, puis faites passer le cadran le Easy Start en position RUN/RE-START (DÉMARRER/REDÉMARRER).

Pour commencer des temps subséquents :

- Débrancher toutes les charges du générateur.
- Tourner la cadran le Easy Start à la position « COLD START » (démarrage à froid).

NOTE : Lorsque le cadran le Easy Start est réglé à la position « COLD START » (supérieure), le carburant est acheminé du réservoir au moteur. Si le moteur est chaud, écarter droite le cadran le Easy Start sur la position « RUN/RE-START » (centre).

- Tirer la lanceur à rappel jusqu'à ce que le moteur démarre.
NOTE : Ne pas laisser la poignée repartir brusquement en arrière après le démarrage. La ramener doucement à sa place d'origine. Initial commencer de l'unité peut exiger des forces supplémentaires.
- Laisser le moteur tourner pendant 15 à 30 secondes et mettre le le levier de moteur étrangler sur « RUN / RE-START » (marche).

UTILISATION

ARRÊT DU MOTEUR

Voir les figures 5 et 6.

- Retirer toute charge du génératrice.
- Tourner la cadran le Easy Start à la position « OFF/STORAGE » (arrêt).

Pour arrêter le moteur en cas d'urgence :

- Tourner la cadran le Easy Start à la position « OFF/STORAGE » (arrêt).

AVERTISSEMENT :

Pendant le fonctionnement ou lors du rangement, allouez un espace libre de 91,4 cm (3 pi) de chaque côté et au-dessus de la génératrice. Laisser refroidir l'appareil au moins 30 minutes avant de le ranger. La chaleur créée par le tuyau et les gaz d'échappement peut être suffisamment chaude pour causer des brûlures graves ou enflammer des objets combustibles.

JUMELER LA GÉNÉRATRICE BLUETOOTH®

Voir la figure 8.

Installez l'application GENControl™ de RYOBI sur votre appareil iOS ou Android prenant en charge **Bluetooth®** afin de pouvoir voir et contrôler plusieurs des fonctions de la génératrice à partir de votre appareil.

- Dans le magasin d'applications de votre appareil iOS ou Android prenant en charge **Bluetooth®**, trouvez et installez l'application GENControl™ de RYOBI.
- Ouvrez l'application et suivez les instructions de l'application GENControl™.

NOTE : Assurez-vous que la fonction **Bluetooth®** est activée sur votre appareil.

- Démarrez la génératrice. Appuyez sur le bouton « Push and Hold to Pair » (appuyez et maintenez pour jumeler) situé sous le panneau ACL de la génératrice et maintenez-le enfoncé jusqu'à ce que l'écran ACL affiche « Pairing Mode » (mode jumelage).
- L'écran ACL de la génératrice et l'application sur votre appareil indiqueront un jumelage réussi.

NOTE : Si la génératrice et l'application ne se jumellent pas, assurez-vous que l'écran affiche bien le mode jumelage pendant le processus de jumelage et que la fonction **Bluetooth®** est activée sur votre appareil.

- Appuyez sur l'icône de menu en haut à gauche de l'écran. Vous verrez les caractéristiques pouvant être contrôlées avec l'application.

DÉPLACEMENT DU GÉNÉRATRICE

Voir la figure 9.

- Tourner le cadran le Easy Start à la position « OFF/STORAGE » (arrêt). Position de « OFF/STORAGE », la robinet de carburant sera fermée et empêche n'importe quel flux de essence
- Laisser la machine refroidir pendant environ 30 minutes avant de la remiser. S'assurer que le moteur et l'échappement de l'unité sont froids.
- Tirer la poignée rétractable vers l'extérieur ou porter par les poignées de transport.
- En faisant face à l'avant du génératrice, saisir fermement la poignée rétractable d'une seule main.
- Soulever le génératrice vers soi jusqu'à ce qu'il soit sur ses roues.
- Tourner et tirer le génératrice derrière vous jusqu'à l'emplacement désiré.
- Abaisser le génératrice jusqu'à ce qu'il repose de façon sécuritaire sur une surface plane.

ENTRETIEN

L'entretien normal, le remplacement ou la réparation des dispositifs du système antipollution doit être fait par un magasin de réparation ou un technicien qualifié possédant les pièces d'origine ou équivalentes. La garantie et les rappels pour réparations peuvent être faits par un centre de réparations autorisé. Pour obtenir de l'aide, veuillez communiquer avec le service à la clientèle.

AVERTISSEMENT :

Avant d'inspecter, nettoyer ou entretenir l'équipement, couper le moteur, attendre que toutes les pièces en mouvement s'arrêtent, déconnecter le fil de la bougie et l'écarter de la bougie. Laisser la machine refroidir pendant environ 30 minutes avant de procéder à un entretien. Le non-respect de ces instructions peut entraîner des blessures graves ou des dégâts matériels.

AVERTISSEMENT :

Lors de la réparation, utiliser seulement les pièces de rechange recommandées ou équivalentes. L'usage de toute autre pièce pourrait créer une situation dangereuse ou endommager l'outil.

AVIS :

Inspecter périodiquement au complet le produit afin de s'assurer qu'aucune pièce (vis, écrous, boulons, chapeaux, etc.) n'est endommagée, manquante ou desserrée. Serrer solidement toutes les pièces de fixation et les chapeaux et ne pas utiliser le produit tant que toutes les pièces manquantes ou endommagées n'ont pas été remplacées. Veuillez communiquer avec le service à la clientèle ou un centre de réparations qualifié pour obtenir de l'aide.

ENTRETIEN GÉNÉRAL

Conserver la génératrice dans un environnement propre et sec sans exposition à la poussière, la saleté, l'humidité ou des vapeurs corrosives. Ne pas laisser les événements de refroidissement du générateur s'obstruer avec des feuilles, de la neige, etc.

Ne pas utiliser un tuyau de jardinage pour nettoyer la génératrice. De l'eau pénétrant dans le circuit de carburant ou d'autres pièces internes de l'unité peut causer des problèmes réduisant la durée de vie du générateur.

Pour nettoyer l'unité :

- Utiliser une brosse à poils doux et/ou un aspirateur pour détacher et retirer la saleté et les débris.
- Nettoyer les événements à pression basse ne dépassant pas 25 psi.
- Essuyer les surfaces extérieures du générateur avec un chiffon humide.

INSPECTION / NETTOYAGE DU FILTRE À AIR

Voir les figures 10 et 11.

Pour assurer un fonctionnement correct et une longue vie utile, garder les filtre à air propres.

- Desserrer la bouton située au centre du couvercle du filtre à air dans. Retirer le couvercle et mettre de côté.
- Desserrer la vis située au centre du couvercle du filtre à air tourner la couvercle 1/4 tourne dans le droite d'une montre, baissant la couvercle et de l'unité. Retirer le couvercle du filtre à air et mettre de côté.
- Retirer la filtre à air.
- Nettoyer le filtre à air avec de l'eau savonneuse tiède. Rincer et essorer pour sécher.
- Réinstaller le filtre à air.

NOTE : S'assurer que les filtres sont appuyés de façon appropriée à l'intérieur de la génératrice. Une installation incorrecte favorisera la pénétration de saleté dans le moteur, ce qui entraînera une usure rapide.

- Installer le couvercle du filtre à air. Serrer la vis afin de le fixer solidement.
- Installer le couverture de moteur. Serrer la vis afin de le fixer solidement.

NOTE : Ne pas faire tourner le générateur sans le filtre à air. Ceci entraînerait une usure rapide du moteur.

CHANGEMENT LUBRIFIANT DE MOTEUR

Voir la figure 12.

Pour obtenir un rendement optimal, il est nécessaire de changer d'lubrifiant moteur toutes les 100 heures ou tous les six mois d'utilisation.

- Desserrer la bouton située sur le côté du capot moteur. Retirer le couvercle et mettre de côté.
- Desserrez les deux vis et retirez le couvercle de vidange d'huile.
- Retirer le bouchon / jauge lubrifiant.
- Pencher la génératrice sur le côté afin de verser d'lubrifiant usée dans un contenant approuvé, en la drainant par l'orifice de remplissage.

NOTE : Vidanger lubrifiant pendant que le moteur est encore tiède mais pas brûlant. Lubrifiant tiède s'écoule plus rapidement et plus complètement.

AVERTISSEMENT :

Ne pas changer le lubrifiant lorsque le moteur est chaud. Un contact accidentel avec le lubrifiant chaud pourrait causer de graves blessures.

- Remettre la génératrice en position verticale et remplir de lubrifiant en suivant les instructions de la section **Vérification / ajout de lubrifiant**. Pour connaître le volume de remplissage d'huile, consulter les **Fiche technique** au

ENTRETIEN

début du manuel ou le manuel fourni avec le moteur, si nécessaire.

- Réinstaller et serrer le bouchon d'huile / la jauge.
- Réinstallez le couvercle et resserrez les vis.
- Réinstaller le couvercle de moteur.

NOTE : Le lubrifiant usé doit être éliminé auprès d'un site approuvé. Voir le détaillant lubrifiant local pour plus d'informations.

ENTRETIEN DE LA BOUGIE

Voir la figure 13.

L'écartement de la bougie doit être vérifié et la bougie doit être exempte de dépôts pour que le moteur fonctionne correctement. Pour vérifier :

- Retirer le couvercle de moteur.
- Retirer le bouchon de la bougie.
- Nettoyer la saleté autour de la base de la bougie.
- Retirer la bougie à l'aide de la clé à bougie.
- Inspecter la bougie pour vérifier qu'elle n'est pas endommagée et la nettoyer avec une brosse métallique avant de la réinstaller. Si l'isolateur est fissuré ou écaillé, remplacer la bougie. Pour remplacer la bougie, consulter les **Fiche technique** au début du manuel ou le manuel fourni avec le moteur, si nécessaire.
- Mesurer l'écartement de la bougie. L'écartement correct est de 0,60 - 0,70 mm (0,024 – 0,028 po). Pour augmenter l'écartement, si nécessaire, courber avec précaution l'électrode de terre (supérieure). Pour réduire l'écartement, taper doucement l'électrode de terre sur une surface dure.
- Installer la bougie ; la visser à la main pour éviter de foirer le filetage.

AVIS :

Veiller à ne pas fausser le filetage de la bougie. Ceci endommagerait sérieusement l'outil.

- Serrer avec la clé pour comprimer la rondelle. Si la bougie est neuve, utiliser 1/2 tour pour comprimer la rondelle. Si elle est usée, utiliser 1/8 à 1/4 de tour pour comprimer la rondelle.

NOTE : Une bougie mal serrée devient très chaude et peut endommager le moteur.

- Réinstallez le bouchon de la bougie.
- Installer le couvercle de moteur. Serrer la vis afin de le fixer solidement.

NETTOYAGE DE L'ORIFICE D'ÉCHAPPEMENT ET DU SILENCIEUX

Selon le type de carburant utilisé, le type et la quantité de lubrifiant utilisée et/ou les conditions d'utilisation, l'orifice d'échappement et le silencieux peuvent être obstrués par de la calamine. Si l'appareil fonctionnant avec de l'essence semble avoir perdu de la puissance, cette calamine doit être éliminée

pour restaurer le fonctionnement normal. Il est vivement recommandé de confier ce travail à un technicien qualifié.

PARE-ÉTINCELLES

Voir la figure 14.

AVIS :

Ce produit est équipé d'un pare-étincelles qui a été évalué par le Service forestier des États-Unis; cependant, les utilisateurs du produit doivent respecter les réglementations locales et gouvernementales de lutte contre l'incendie. Consulter les autorités appropriées. Contacter le service à la clientèle ou un centre de réparations qualifié pour acheter un pare-étincelles de rechange.

Le pare-étincelles doit être nettoyé ou remplacé toutes les 50 heures de fonctionnement ou tous les ans pour assurer le rendement optimal du produit. L'emplacement du pare-étincelles diffère suivant le modèle. Contacter le concessionnaire le plus proche pour connaître l'emplacement du pare-étincelles sur le modèle utilisé.

Pour nettoyer le pare-étincelles :

- Dévisser la vis du panneau dessus. Retirer le panneau dessus et le mettre de côté.
- Retirer le vis fixant le pare-étincelles.
- Enlever le pare-étincelles et nettoyer délicatement en utilisant une brosse métallique.
- Réinstaller le pare-étincelles et le panneau arrière. S'assurer que toutes les vis est serrée solidement.

VIDANGE DU RÉSERVOIR DE CARBURANT/ CARBURATEUR

Voir les figures 15 et 16.

Afin de prévenir les dépôts de gommages dans le circuit de carburant, vidanger le carburant du réservoir et du carburateur avant de le remiser.

VIDANGE DU RÉSERVOIR DE CARBURANT

AVIS :

Retirer toute lubrifiant de l'unité avant de drainer le réservoir de carburant. L'unité risque d'être endommagée si cette directive n'est pas respectée.

- Retirer le bouchon du réservoir.
- Pencher la génératrice sur le côté afin de verser lubrifiant usée dans un contenant approuvé, en la drainant par l'orifice de remplissage.
- Lorsque le carburant est vidangé du réservoir, replacer le bouchon du réservoir.

VIDANGER LE CARBURANT DU CARBURATEUR

- Desserrer la bouton située sur le côté du capot moteur. Retirer le couvercle et mettre de côté.

ENTRETIEN

- Régler l' cadran le Easy Start à la position « RUN/RE-START » (marche).
- Tirer le tube de décharge du carburateur hors du bec sur la base de la génératrice et placer dans un contenant qui convient à récupérer le carburant.
- Dévisser la vis de décharge du carburateur et laisser écouler complètement le carburant dans le contenant.
- Resserrer la vis de vidange.
- Réinstaller le tube de décharge du carburateur dans le bec de décharge sur la base de la génératrice.

AVERTISSEMENT :

S'assurer que le tube de décharge est entièrement inséré dans le bec de décharge. À défaut d'insérer entièrement le tube de décharge pourrait permettre au carburant de couler dans le bas du boîtier de la génératrice, ce qui peut causer des blessures personnelles graves et des dommages à la propriété.

- Régler l' cadran le Easy Start à la position « OFF/STORAGE » (arrêt).

NOTE : Consulter les directives d'élimination des déchets locales pour éliminer le carburant correctement.

TRANSPORT

- Régler l' cadran le Easy Start à la position « OFF/STORAGE » (arrêt).
- Laisser refroidir pendant 30 minutes avant de transporter l'outil. S'assurer que le moteur et l'échappement de l'unité sont froids.
- Garder l'unité de niveau pendant le transport afin d'éviter de renverser du carburant.
- Ne pas faire chuter, heurter ou placer l'unité sous de lourds objets.
- Pour le transport à bord d'un véhicule, régler l' cadran le Easy Start à la position , fermer le robinet de carburant et arrimer solidement la génératrice.
- Installer une feuille de plastique ou un coussinet absorbant sous la génératrice pour recueillir toutes les gouttes d'essence ou lubrifiant lors du transport.

REMISAGE

Lors de la préparation du génératrice pour le remisage, laisser l'appareil refroidir pour 30 minutes puis suivre les instructions ci-dessous. Toujours ranger la génératrice sur ses pieds. Ne jamais ranger l'appareil sur le côté ou dans une position verticale.

DURÉE DU REMISAGE	AVANT LE REMISAGE
Moins d'2 mois	<ul style="list-style-type: none">■ Vidanger l'essence du réservoir et la disposer dans un récipient adapté selon les règlements nationaux et locaux en vigueur.
2 mois à 1 an	<ul style="list-style-type: none">■ Vidanger le carburant du carburateur.■ Vidanger l'essence du réservoir et la disposer dans un récipient adapté selon les règlements nationaux et locaux en vigueur.
1 an ou plus	<ul style="list-style-type: none">■ Vidanger le carburant du carburateur.■ Retirer la bougie.■ Vidanger l'essence du réservoir et la disposer dans un récipient adapté selon les règlements nationaux et locaux en vigueur.■ Placer une cuillère à soupe de lubrifiant moteur dans le cylindre de la bougie. Faire tourner lentement le moteur avec le cordon pour répartir de lubrifiant.■ Réinstaller la bougie.■ Vidanger l'huile moteur.

NOTE : Si l'essence est entreposée dans un contenant adéquat pour une utilisation ultérieure, s'assurer qu'un stabilisateur de carburant est ajouté à l'essence conformément aux instructions de son fabricant.

ENTRETIEN

CALENDRIER D'ENTRETIEN

NOTE : Si un autre manuel du moteur est fourni avec cette génératrice, veuillez respecter le calendrier d'entretien présenté dans le manuel du moteur au lieu de suivre les instructions d'entretien décrites ci-dessous.

	Avant chaque utilisation	Après 1 mois ou 20 heures de fonctionnement	Tous les 3 mois ou 50 heures de fonctionnement	Tous les 6 mois ou 100 heures de fonctionnement	Chaque année ou toutes les 300 heures de fonctionnement
Vérifier lubrifiant moteur	■				
Changer lubrifiant moteur ²		■		■	
Vérifier le filtre à air	■				
Nettoyer le filtre à air			■		
Remplacer le filtre à air ²					■
Vérifier/régler l'écartement de la bougie				■	
Remplacer la bougie ²					■
Vérifier/nettoyer le pare-étincelles				■	
Vérifier/régler le jeu des soupapes ^{1,2}					■
Nettoyer le réservoir de carburant et le filtre ^{1,2}				■	
Vérifier de tuyaux de carburant	■				■
Filtre à carburant	Inspecter				Remplacer
Vérifier tous raccords de tuyaux	■				■
Inspecter le évent de vapeur du réservoir de carburant (si présent)	■				■
Inspecter la boîte de carbone (modèles CARB seulement)	■				■

1. Ceci ne doit être effectué que par un centre de réparations qualifié.

2. Consulter le manuel du moteur pour prendre connaissance du calendrier d'entretien de cet article.

NOTE : L'entretien doit être effectué plus fréquemment lorsque le génératrice est utilisé dans des zones poussiéreuses. Lorsque le génératrice a dépassé les valeurs maximum indiquées dans le tableau, l'entretien doit continuer à être effectué selon les intervalles ou aux fréquences indiqués.

DÉPANNAGE

PROBLÈME	CAUSE POSSIBLE	SOLUTION
Le moteur ne démarre pas.	<p>Le cadran le Easy Start est en position d'arrêt ou position RUN/RE-START (marche).</p> <p>Pas de carburant.</p> <p>Carburant trop vieux ou présence d'eau dans le carburant.</p> <p>Niveau d'lubrifiant bas.</p> <p>Bougie défectueuse, encrassée ou mal écartée.</p> <p>Moteur remisé sans traitement ou vidange de l'essence, ou plein fait avec un mauvais carburant.</p> <p>Filtre à carburant encrassé.</p>	<p>Tirer le cadran le Easy Start sur « COLD START » .</p> <p>Remplir le réservoir de carburant.</p> <p>Vidanger l'ensemble du système et remplir de carburant frais.</p> <p>Le moteur est équipé d'un arrêt en cas de bas niveau de lubrifiant. Remplir le réservoir, si le niveau de lubrifiant du moteur est trop bas, avant de démarrer la génératrice. Vérifier le niveau de lubrifiant moteur et faire l'appoint si nécessaire.</p> <p>Remplacer la bougie.</p> <p>Vidanger le carburant et le carburateur. Remplir d'essence fraîche.</p> <p>Contacteur un centre de réparations qualifié.</p>
Moteur difficile à démarrer.	<p>Eau dans le carburant.</p> <p>Étincelle de bougie faible.</p>	<p>Vidanger l'ensemble du système et remplir de carburant frais.</p> <p>Remplacer la bougie o contacter un centre de réparations qualifié.</p>
Le moteur manque de puissance.	<p>Moteur remisé sans traitement ou vidange de l'essence, ou plein fait avec un mauvais carburant.</p> <p>Filtre à air encrassé.</p>	<p>Vidanger le carburant et le carburateur. Remplir d'essence fraîche. Si le problème persiste, contacter le centre de réparation qualifié le plus proche.</p> <p>Nettoyer ou remplacer selon le besoin.</p>
La prise c.a. ne fonctionne pas.	<p>L'appareil branché est défectueux.</p> <p>Le génératrice est surchargé.</p>	<p>Essayer un autre article.</p> <p>Enlever des chargements et appuyer le bouton de réarmement.</p>

Si le problème persiste après avoir essayé les solutions ci-dessus, communiquer avec le service à la clientèle ou un centre de réparations qualifié pour obtenir de l'aide.

AVIS :

Le propriétaire de cet équipement est tenu d'effectuer les entretiens requis indiqués dans la section *Entretien*. Il est recommandé de conserver tous les reçus d'entretien de votre équipement. La négligence ou l'oubli de procéder à l'entretien requis représente un risque d'augmentation des émissions, de diminuer le rendement énergétique, de nuire à la performance, créer des bris irréparables du moteur et de annuleront la garantie.

Ce produit est accompagné d'une garantie limitée de trois (3) ans pour utilisation personnel, familiales ou domestiques (90 jours pour utilisation affaires ou commerciaux). Pour obtenir les détails de la garantie, visiter le site www.ryobitools.com ou appeler (sans frais) au 1-800-860-4050.

CONFORMITÉ AUX NORMES DE LA FEDERAL COMMUNICATIONS COMMISSION (FCC)

AVERTISSEMENT :

Toute modification apportée à l'unité qui n'a pas été expressément approuvée par le responsable de la conformité du produit pourrait suffire à révoquer le droit de l'utilisateur à se servir de l'équipement.

Cet appareil est conforme à la Partie 15 des Règles FCC et aux normes RSS d'Industrie Canada en matière d'appareils exempts de licence. L'exploitation est autorisée aux deux conditions suivantes : (1) l'appareil ne doit pas produire de brouillage, et (2) l'utilisateur de l'appareil doit accepter tout brouillage radioélectrique subi, même si le brouillage est susceptible d'en compromettre le fonctionnement.

NOTE : Le cessionnaire n'assume aucune responsabilité pour les modifications qui ne sont pas expressément approuvées par la partie responsable de la conformité. Ces modifications pourraient annuler l'autorité de l'utilisateur à utiliser l'équipement.

NOTE : Après avoir fait subir un essai à l'équipement, il a été déterminé que celui-ci est conforme aux normes relatives à un appareil numérique de classe B, selon la partie 15 des règles de la FCC. Ces normes ont été fixées afin de fournir une protection raisonnable contre une interférence nuisible dans une installation résidentielle. Cet équipement produit et utilise de l'énergie RF. Si l'équipement n'est pas installé et utilisé conformément aux instructions, cela peut causer de l'interférence aux radiocommunications. However, there is no guarantee that interference will not occur in a particular installation. Toutefois, des interférences peuvent se produire dans une installation donnée. Si cet équipement ne produit aucun brouillage préjudiciable à la réception des signaux de radio ou de télévision, ce qui peut être déterminé en allumant et en éteignant l'appareil, on recommande à l'utilisateur de corriger l'interférence par l'une des mesures suivantes :

- Réorienter ou déplacer l'antenne de réception.
- Augmenter l'espacement entre l'équipement et le récepteur.
- Brancher l'équipement dans une prise différente de celle du récepteur.
- Consulter le marchand ou un technicien expérimenté en radiotélédiffusion pour obtenir de l'aide.

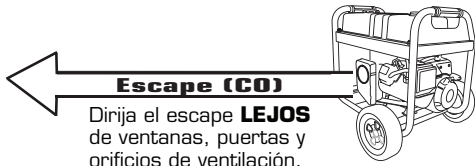
Le présent appareil est conforme aux CNR d'Industrie Canada applicables aux appareils radio exempts de licence. L'exploitation est autorisée aux deux conditions suivantes : (1) l'appareil ne doit pas produire de brouillage, et (2) l'utilisateur de l'appareil doit accepter tout brouillage radioélectrique subi, même si le brouillage est susceptible d'en compromettre le fonctionnement.

Conformément à la réglementation d'Industrie Canada, le présent émetteur radio peut fonctionner avec une antenne d'un type et d'un gain maximal (ou inférieur) approuvé pour l'émetteur par Industrie Canada. Dans le but de réduire les risques de brouillage radioélectrique à l'intention des autres utilisateurs, il faut choisir le type d'antenne et son gain de sorte que la puissance isotrope rayonnée équivalente (p.i.r.e.) ne dépasse pas l'intensité nécessaire à l'établissement d'une communication satisfaisante.

Para registrar su producto de Ryobi, por favor visita: www.ryobitools.com

**UBIQUE EL GENERADOR A UNA DISTANCIA DE POR LO MENOS 6 M (20 PIES)*
PARA REDUCIR EL RIESGO DE QUE EL MONÓXIDO DE CARBONO
INGRESE EN LA CASA**

** Distancia mínima recomendada por el Departamento de Salud y Servicios Humanos y por los Centros para el Control y la Prevención de Enfermedades de los Estados Unidos (www.cdc.gov/co). Las condiciones particulares de su casa o del viento puede requerir una distancia adicional.*



**← MANTEGA UNA DISTANCIA DE
POR LO MENOS 6 M (20 PIES)* →**

Utilícelo únicamente **EN EL EXTERIOR**
y **ALEJADO** de ventanas, puertas y
orificios de ventilación.



⚠ ADVERTENCIA:

CONEXIÓN A TIERRA DEL GENERADOR

Si este generador se utiliza **únicamente** con aparatos conectados con cable y enchufe, el Código Eléctrico Nacional no exige que la unidad esté puesta a tierra. Sin embargo, si se usa el generador de otra forma, podría ser necesario ponerlo a tierra para reducir el riesgo de descargas eléctricas o electrocución. Antes de usar el generador, consulte a un electricista calificado, un inspector eléctrico o un organismo local que tenga jurisdicción para saber si es necesario ponerlo a tierra en su situación.

Si es necesario poner a tierra la unidad, deben utilizarse la tuerca y el terminal de conexión a tierra del bastidor para conectar el generador a una fuente apropiada de conexión a tierra. La conexión a tierra debe realizarse con alambre calibre N° 8. Conecte el terminal del alambre de conexión a tierra entre la arandela y la tuerca, y apriete firmemente la tuerca. Conecte el otro extremo del alambre firmemente a una fuente apropiada de conexión a tierra que esté en contacto con el suelo a lo largo de una distancia de al menos 2,4 m (8 pies).

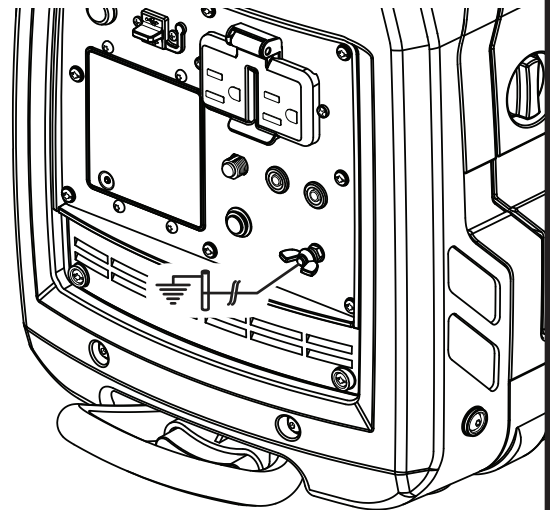
El Código Eléctrico Nacional especifica varias maneras prácticas para establecer una buena fuente de conexión a tierra. Si se utiliza una barra de acero o de hierro, éste debe ser de 15,9 mm (5/8 pulg.) de diámetro, y si se utiliza una barra no ferrosa, ésta debe ser de 13 mm (1/2 pulg.) de diámetro como mínimo y estar listada como material adecuado para conexión a tierra. Si encuentra un estrato rocoso antes de llegar a una profundidad de 2,4 m (8 pies), clave la jabalina de puesta a tierra a un ángulo de a lo sumo 45°. Si aun así la jabalina se encuentra con el estrato rocoso, se la puede enterrar en una trinchera de al menos 75 cm (30 pulg.) de profundidad. En cualquier caso, el extremo superior de la jabalina debe estar al ras del suelo (o por debajo del rasante) o protegido de posibles daños físicos por otro medio.

Todas las herramientas eléctricas y aparatos alimentados por este generador deben conectarse apropiadamente a tierra mediante el uso de un tercer alambre o tener un diseño con "doble aislamiento".

Se recomienda:

1. Usar dispositivos eléctricos con clavija de tres patillas conectada a tierra.
2. Para asegurar la continuidad de la protección a tierra del generador al dispositivo, utilice un cordón de extensión para uso a la intemperie con un receptáculo de tres orificios en un extremo y una clavija de tres patillas en el otro.

Revise y cumpla con todas las reglas federales, estatales y locales relevantes en relación con las especificaciones de conexión a tierra. Consulte a un electricista calificado o técnico de servicio si no ha comprendido completamente las instrucciones de conexión a tierra o si no está seguro si el generador está conectado a tierra correctamente.



DECLARACIÓN DE LICENCIA DE BLUETOOTH®

La marca y los logotipos **Bluetooth®** son marcas comerciales registradas de Bluetooth SIG, Inc. y cualquier uso de dichas marcas por RYOBI™ se realiza bajo licencia. Los demás nombres y marcas comerciales son propiedad de sus respectivos dueños.

INSTRUCCIONES DE SEGURIDAD IMPORTANTES

PELIGRO:

Monóxido de carbono. Usar un generador en el interior LO MATARÁ EN POCOS MINUTOS.

Los gases de escape del generador contienen niveles altos de monóxido de carbono (CO), un gas venenoso que no puede verse ni olerse. Si puede oler los gases de escape del generador, está respirando CO. Pero incluso si no puede oler los gases de escape, es posible que esté respirando CO.

- Nunca use un generador dentro de su hogar, garaje, sótano, ni demás espacios parcialmente encerrados. En dichos espacios, pueden acumularse niveles mortales de monóxido de carbono. Usar un ventilador o abrir puertas y ventanas NO proporciona suficiente aire fresco.
- SÓLO utilice el generador al aire libre y lejos de ventanas, puertas y respiraderos abiertos. Estas aberturas pueden atraer los gases de escape del generador.

Incluso si utiliza el generador correctamente, el CO puede ingresar en su hogar. SIEMPRE utilice una alarma de CO de pilas o con pilas de respaldo en su hogar.

Si comienza a sentirse descompuesto, mareado o débil luego de que el generador estuvo funcionando, trasládese adonde haya aire fresco INMEDIATAMENTE. Vea a un doctor. Puede sufrir intoxicación por monóxido de carbono.

ADVERTENCIA:

Lea y comprenda todas las instrucciones. El incumplimiento de cualquiera de las instrucciones siguientes puede causar electrocución, incendio o intoxicación por monóxido de carbono, lo cual puede causar la muerte o lesiones graves.

ADVERTENCIA:

En ciertas aplicaciones, el Reglamento Nacional de Electricidad exige que el generador esté conectado a una tierra aprobada. Antes de utilizar la terminal de tierra, consulte a un electricista calificado, inspector de instalaciones eléctricas u organismo gubernamental de la localidad en lo referente a las reglas y disposiciones relacionadas con el uso deseado del generador.

GUARDE ESTAS INSTRUCCIONES

Este manual contiene instrucciones importantes para este producto que debe ser seguido durante instalación y mantenimiento del generador.

- No conecte la unidad al sistema eléctrico de un edificio a menos que el generador y el interruptor de transferencia se hayan instalado correctamente y que un electricista calificado haya verificado la salida de energía eléctrica. La conexión debe aislar la corriente del generador del servicio público y debe cumplir con todas las leyes y los códigos eléctricos pertinentes.

- No permita que utilicen esta unidad niños ni personas carentes de la debida instrucción para su manejo.
- No haga arrancar o funcionar el motor en un espacio confinado, de edificio, cerca de ventanas abiertas, o en otro área sin ventilación donde se puedan recolectar las emanaciones de monóxido de carbono. El monóxido de carbono, un gas incoloro, inodoro y sumamente peligroso, puede causar la pérdida de la conciencia o la muerte.
- Mantenga a todos los circunstantes, niños y animales por lo menos a 3 m (10 pies) de distancia.
- Use botas o zapatos robustos y secos. No utilice la unidad estando descalzo.
- No utilice este generador cuando se encuentre fatigado, enfermo o bajo los efectos de drogas, alcohol o medicamentos.
- Mantenga todas las partes del cuerpo alejadas de toda pieza móvil y superficie caliente de la unidad.
- No toque cables ni receptáculos desprovistos de aislamiento.
- No utilice el generador con cordones de corriente gastados, deshilachados, pelados o dañados de cualquier forma.
- Antes de guardar la unidad, deje que se enfríe el motor durante 30 minutos y retire el combustible de la unidad.
- No utilice o guarde el generador en la lluvia, nieve o tiempo húmedo.
- Guarde el generador en un lugar bien ventilado y con el tanque de combustible vacío. El combustible no se debe guardar cerca del generador.
- Antes de transportar la unidad en un vehículo, vacíe el tanque de combustible, coloque selector de Easy Start en la posición apagada e inmovilice aquélla.
- Coloque una lámina de plástico o una almohadilla absorbente debajo del generador para atrapar las gotas de combustible o lubricante cuando lo transporte.
- Para reducir el riesgo de incendio o de lesiones por quemadura, maneje con cuidado el combustible. Es sumamente inflamable.
- No fume mientras el combustible.
- Almacene el combustible en un recipiente aprobado para gasolina.
- Coloque la unidad sobre el piso nivelado, apague el motor, y deje que se enfríe durante cinco minutos antes de reabastecerlo de combustible.
- Afloje la tapa del tanque de combustible para aliviar la presión y para evitar que se escape combustible por la tapa.
- Después de reabastecer de combustible la unidad ponga la tapa y apriétela firmemente.
- Limpie todo el combustible que se haya derramado de la unidad.
- Nunca intente en ninguna circunstancia eliminar el combustible derramado quemándolo.
- Los generadores vibran durante el uso normal. Durante y después del uso del generador, inspeccione el generador, así como los cordones de extensión y los cordones de corriente conectados a éste, para ver si tienen daños causados por la vibración. Deben repararse o reemplazarse los artículos dañados, según sea necesario. No use enchufes ni cordones que muestren señales de daño, como roturas o agrietamientos en el aislamiento, o daño en las espigas.

INSTRUCCIONES DE SEGURIDAD IMPORTANTES

- Los generadores fijos instalados de manera permanente son la mejor alternativa para abastecer de electricidad al hogar durante los cortes de energía. Incluso los generadores portátiles que están conectados correctamente pueden sobrecargarse. De esta manera, los componentes del generador pueden recalentarse o exigirse demasiado, lo que podría producir una falla en el generador.
- Use únicamente repuestos recomendados o equivalentes y accesorios y siga las instrucciones descritas en la sección de *Mantenimiento* de este manual. El empleo de piezas diferentes o el incumplimiento de las instrucciones de mantenimiento puede significar un riesgo de descarga eléctrica o de lesiones.
- Mantenga la unidad según las instrucciones de mantenimiento señaladas en este manual del operador.
- Inspeccione cada vez la unidad antes de usarla para ver si tiene tornillos flojos, fugas de combustible, etc. Reemplace toda pieza dañada.

REGLAS DE SEGURIDAD ESPECÍFICAS



PELIGRO:

Riesgo de incendios y lesiones por quemaduras: Nunca retire la tapa de combustible mientras esté encendida la unidad. Apague el motor y deje enfriar la unidad durante al menos cinco minutos. Retire la tapa lentamente.






ADVERTENCIA:

Cuando este generador se utiliza para abastecer el sistema de cableado de un edificio: un electricista calificado debe instalar el generador, que debe conectarse a un interruptor de transferencia como un sistema derivado independiente, de conformidad con el Reglamento Nacional de Electricidad (NFPA 70). El generador se conectará a través de un interruptor de transferencia que controla todos los conductores, excepto el conductor de conexión a tierra del equipo. El bastidor del generador debe conectarse a un electrodo de conexión a tierra aprobado. Si no se aísla el generador de las líneas de alto voltaje puede causarse la muerte o lesiones a los trabajadores de dichas líneas.










- No utilice este generador para suministrar energía a dispositivos de soporte vital o equipos médicos de emergencia.
- Siempre use un detector de monóxido de carbono de baterías al utilizar el generador. Si comienza a sentirse mal, mareado o débil al estar utilizando el generador, apáguelo y respire aire fresco de inmediato. Vea a un doctor. Puede sufrir intoxicación por monóxido de carbono.
- Coloque el generador en una superficie estable horizontal, con una pendiente no mayor de 4°.
- Utilice la unidad al aire libre en un área bien ventilada e iluminada, aislada de las áreas de trabajo para evitar la interferencia del ruido.
- Si se utiliza el generador en condiciones húmedas, puede causarse una electrocución. Mantenga seca la unidad.
- Mantenga el generador a una distancia mínima de 910 mm (3 pies) de todo tipo de material combustible.
- No utilice el generador cerca de materiales peligrosos.
- No utilice el generador en una estación de abastecimiento de gasolina o gas natural.
- No toque el silenciador ni el cilindro durante el funcionamiento de la unidad ni inmediatamente después; están CALIENTES y causan lesiones por quemadura.
- Este generador tiene un punto neutro conectado a tierra. Esto significa que el conductor neutro está conectado por vías eléctricas al marco de la máquina.
- No permita que se derrame el tanque del generador al abastecerlo de gasolina. Llénelo hasta una altura de 25,4 mm (1 pulg.) abajo del cuello del tanque de gasolina para permitir la expansión del combustible. Revise el orificio de ventilación del interior del tanque de combustible para ver si tiene basura. No bloquee el respiradero.
- No fume mientras abastece de gasolina el generador.
- Apague el motor y déjelo enfriar durante 5 minutos antes de agregar gasolina o lubricante al generador.
- No retire la varilla de nivel de aceite ni la tapa del tanque del combustible mientras esté funcionando el motor.
- Preste atención en particular a todas las etiquetas de seguridad adheridas al generador.
- En todo momento mantenga a los niños a una distancia mínima de 3 m (10 pies) del generador.
- La unidad funciona mejor a una temperatura entre -5 y 40 °C (23 y 104 °F) con una humedad relativa de 90% o menos.
- El requerimiento de voltaje y frecuencia operativa de todos los equipos electrónicos debe comprobarse antes de enchufarlos a este generador. Pueden ocurrir daños si el equipo no está diseñado para operar dentro de una variación de voltaje de +/-10% y una variación de frecuencia de +/-3 hz de los valores nominales que aparecen en la placa de identificación del generador.
- Para el uso en el exterior solamente.
- Guarde estas instrucciones. Consúltelas con frecuencia y empléelas para instruir a otras personas que puedan utilizar esta producto. Si presta a alguien esta producto, facilítele también las instrucciones.

SÍMBOLOS

Las siguientes palabras de señalización y sus significados tienen el objeto de explicar los niveles de riesgo relacionados con este producto.

SÍMBOLO	SEÑAL	SIGNIFICADO
	PELIGRO:	Indica una situación peligrosa, la cual, si no se evita, causará lesiones graves o mortales.
	ADVERTENCIA:	Indica una situación peligrosa, la cual, si no se evita, podría causar lesiones graves o mortales.
	PRECAUCIÓN:	Indica una situación peligrosa, la cual, si no se evita, podría causar lesiones menores o leves.
	AVISO:	(Sin el símbolo de alerta de seguridad) Indica la información que se considera importante, pero no relacionada con lesiones potenciales (por ej. en relación a daños a la propiedad).

Es posible que se empleen en este producto algunos de los siguientes símbolos. Le suplicamos estudiarlos y aprender su significado. Una correcta interpretación de estos símbolos le permitirá utilizar mejor y de manera más segura el producto.

SÍMBOLO	NOMBRE	DENOMINACIÓN / EXPLICACIÓN
	Alerta de seguridad	Indica un peligro posible de lesiones personales.
	Lea el manual del operador	Para reducir el riesgo de lesiones, el usuario debe leer y comprender el manual del operador antes de usar este producto.
	Alerta de condiciones húmedas	No exponga la unidad a la lluvia ni la use en lugares húmedos.
	Descarga eléctrica	Si no se usa la unidad en condiciones secas y no se observan prácticas seguras de trabajo, puede producirse una descarga eléctrica.
	Emanaciones tóxicas	Con el funcionamiento del generador se emite monóxido de carbono, un gas tóxico incoloro e inodoro. Si se inhala monóxido de carbono puede causarse náusea, desmayo o la muerte.
	Fuego / Explosión	El combustible y los vapores del mismo son extremadamente inflamables y explosivos. El fuego o una explosión pueden causar quemaduras graves e incluso la muerte.
	Superficie caliente y gases de escape	Para reducir el riesgo de lesiones corporales o daños materiales evite tocar toda superficie caliente y no coloque partes del cuerpo en la trayectoria de los gases de escape.
	Peligro al levantar	Para reducir el riesgo de lesiones serias, evite intentar levantar el generador usted solo.
	Conexión a tierra	Consulte a un electricista de la localidad para determinar los requisitos de conexión a tierra antes de utilizar la unidad.

SÍMBOLOS

Es posible que se empleen en este producto algunos de los siguientes símbolos. Le suplicamos estudiarlos y aprender su significado. Una correcta interpretación de estos símbolos le permitirá utilizar mejor y de manera más segura el producto.

SÍMBOLO	NOMBRE	DENOMINACIÓN / EXPLICACIÓN
V	Voltios	Voltaje
A	Amperios	Corriente
Hz	Hertz	Frecuencia (ciclos por segundo)
W	Watt	Potencia
hrs	Horas	Tiempo
gal	Galón	Volumen
qt	Cuarto	Volumen

ETIQUETAS DE SEGURIDAD

La siguiente información puede encontrarse en el generador. Para su propia seguridad, le sugerimos estudiar y entender todas la etiquetas antes de poner marcha el generador.

Si se desprende de la unidad cualquiera de las etiquetas o se vuelven ilegibles, comuníquese con el servicio al cliente o con un centro de servicio calificado para obtener un reemplazo.

- **SE MATARÁ o LESIONARÁ GRAVEMENTE** si no sigue las instrucciones del Manual del operador.
- **Riesgo de incendio.** No agregue combustible cuando el producto esté funcionando.
- El generador es una fuente potencial de descarga eléctrica. No lo exponga a humedad, la lluvia ni a la nieve. No opere con manos o pies húmedos.
- El escape contiene gas venenoso de monóxido de carbono que puede causar pérdida del conocimiento a la MUERTE. Opere en áreas exteriores bien ventiladas lejos de puertas o ventanas abiertas.

- No exponga la unidad a la lluvia ni la use en lugares húmedos.
- Usar un generador en el interior **PUEDE MARTARLO EN POCOS MINUTOS.** Los gases de escape del generador contienen monóxido de carbono. Es un veneno que no puede verse ni olerse.
- **NUNCA** lo use dentro de su hogar o del garaje, **INCLUSO** con las puertas y las ventanas abiertas.
- Sólo utilícelo **AL AIRE LIBRE** y lejos de ventanas, puertas y respiraderos.

ADVERTENCIA DE COMBUSTIBLE

No fume al abastecer el combustible. No llene de más. El nivel de lleno es 25,4 mm (1 pulg.) debajo del cuello del tanque de combustible. Pare la marcha del motor cinco minutos antes del reabastecimiento de combustible para evitar que el calor del silenciador encienda los vapores de combustible.

⚠ DANGER

Using a generator indoors **CAN KILL YOU IN MINUTES.** Generator exhaust contains carbon monoxide. This is a poison you cannot see or smell.

NEVER use inside a home or garage, **EVEN IF** doors and windows are open.

Only use **OUTSIDE** and far away from windows, doors, and vents.

⚠ DANGER

L'utilisation d'une génératrice à l'intérieur **PEUT VOUS TUER EN QUELQUES MINUTES.** Les générateurs produisent du monoxyde de carbone, un gaz mortel incolore et inodore. **NE JAMAIS** utiliser à l'intérieur d'une maison ou d'un garage, **MÊME SI** les portes et les fenêtres sont ouvertes. Utiliser uniquement **À L'EXTÉRIEUR** et loin des fenêtres, des portes et des événements.

⚠ PELIGRO

Usar un generador en el interior **PUEDE MATARLO EN POCOS MINUTOS.** Los gases de escape del generador contienen monóxido de carbono. Es un veneno que no puede verse ni olerse. **NUNCA** lo use dentro de su hogar o del garaje, **INCLUSO** con las puertas y las ventanas abiertas. Sólo utilícelo **AL AIRE LIBRE** y lejos de ventanas, puertas y respiraderos.

⚠ DANGER

⚠ DANGER

⚠ PELIGRO

You **WILL** be **KILLED** or **SERIOUSLY HURT** if you do not follow the Operator's Manual instructions.

Ne pas procéder de la manière décrite dans ce Manuel d'utilisation entrainera des **BLESSURES GRAVES** voire la **MORT.**

SE MATARÁ o LESIONARÁ GRAVEMENTE si no sigue las instrucciones del Manual del operador.

Exhaust contains poisonous carbon monoxide gas that can cause unconsciousness or **DEATH.** Operate in well ventilated, outdoor areas away from open windows or doors.

L'échappement contient le gaz monoxyde de carbone toxique qui peut causer l'inconscience ou la **MORT.** Fonctionner dans les secteurs bien ventilés et extérieurs loin d'ouvre des fenêtres ou des portes.

El escape contiene gas venenoso de monóxido de carbono que puede causar pérdida del conocimiento o **MUERTE.** Opere en áreas exteriores bien ventiladas lejos de puertas o ventanas abiertas.

Risk of fire. Do not add fuel while the product is operating.

Risque d'incendie. Ne pas ajouter de carburant pendant l'utilisation de l'appareil.

Riesgo del incendio. No agregue combustible cuando el producto esté funcionando.

Do not expose to rain or use in damp locations.

Ne pas exposer à la pluie ou l'humidité.

No exponga a la lluvia ni use en lugares húmedos.

Generator is a potential source of electric shock. Do not expose to moisture, rain, or snow. Do not operate with wet hands or feet.

Le générateur est une source potentielle de chocs électriques. Ne pas exposer à l'humidité, la pluie ou la neige. Ne pas utiliser avec les mains ou les pieds mouillés.

El generador es una fuente de descarga eléctrica. No lo exponga a humedad, la lluvia, ni a la nieve. No opere con manos o pies húmedos.

940654323-01

SÍMBOLOS

ADVERTENCIA PARA LA TAPA DEL TANQUE DE COMBUSTIBLE

Nunca retire la tapa de combustible mientras esté encendida la unidad. Apague el motor y deje enfriar la unidad durante al menos cinco minutos. Quite la tapa lentamente para liberar la presión que se haya acumulado en el sistema de combustible y para evitar que el calor del silenciador provoque la ignición de los vapores del combustible.

ADVERTENCIA DEL LUBRICANTE DE MOTOR

Antes de utilizar el generador debe abastecerlo de lubricante. El tanque de aceite tiene una capacidad de 13,5 oz (0,42 cuartos). Antes de utilizar la unidad, revise el nivel de lubricante. El nivel de lubricante siempre debe estar entre las áreas cubiertas con rayas entrecruzadas de la varilla de nivel. La unidad está equipada de un sensor, el cual apaga automáticamente el motor si el nivel de lubricante desciende abajo del límite de seguridad.

AVISO SOBRE EL ALMACENAMIENTO DE LA UNIDAD

Guarde siempre el generador parado sobre las patas. Nunca guarde la unidad recostada sobre un lado o en posición vertical.


ADVERTENCIA ACERCA DE LA CONEXIÓN A TIERRA

Este generador no incluye un cable de cobre ni una jabalina de puesta a tierra. Consulte con un electricista calificado para conocer los requisitos locales de puesta a tierra.

ADVERTENCIA DE ESPACIO LIBRE

Tanto en funcionamiento como al guardarlo, mantenga siempre 91,4 cm (3 pies) de espacio libre en todos los laterales de este producto, incluida la parte superior. Espere al menos 30 minutos para el equipo se enfríe antes de guardarlo. El calor generado por el silenciador y los gases de escape puede ser suficiente para causar quemaduras graves y/o prender fuego a objetos combustibles.

⚠ DANGER ⚠ DANGER ⚠ PELIGRO

 **RISK OF FIRE AND SERIOUS BURNS:** Never remove fuel cap when unit is running. Shut off engine and allow the unit to cool at least five minutes. Remove cap slowly.

RISQUE D'INCENDIE ET DE BLESSURES GRAVES : Ne jamais retirer le capuchon du réservoir d'essence pendant que l'appareil fonctionne. Éteindre le moteur et laisser refroidir l'appareil pendant au moins cinq minutes. Retirer lentement le capuchon.

RIESGO DE INCENDIOS Y LESIONES POR QUEMADURAS: Nunca retire la tapa de combustible mientras esté encendida la unidad. Apague el motor y deje enfriar la unidad durante al menos cinco minutos. Retire la tapa lentamente.


**USE FUEL STABILIZER FOR STORAGE
UTILISEZ UN STABILISATEUR DE CARBURANT POUR LE STOCKAGE
EL USO DEL ESTABILIZADOR DE COMBUSTIBLE PARA EL ALMACENAMIENTO**

NOTICE AVIS AVISO

Add lubricant to full mark to start. Engine will not start or will shut off if sensor detects low lubricant level.

Ajouter de lubrifiant jusqu'au repère de remplissage pour démarrer. Le moteur ne démarre pas ou s'éteint si le capteur détecte le niveau de lubrifiant faible.

Añada lubricante hasta la marca de lleno para arrancar. El motor no arranca o se apaga si sensor detecta el nivel de lubricante de baja.



NOTICE / AVIS / AVISO

Do not store unit vertically.
Ne stockez pas l'unité verticalement.
No almacene la unidad verticalmente.

⚠ WARNING ⚠ AVERTISSEMENT ⚠ ADVERTENCIA


Product does not include ground rod or copper wire. Call a qualified electrician for local grounding requirements.

Le produit ne comprend pas de piquet de terre ou de fil en cuivre. Appeler un électricien qualifié pour connaître les exigences locales de mise à la terre.

El producto no incluye el ealambre de cobre ni la barra de conexión a tierra. Comuníquese con un electricista calificado para todo lo relacionado con los requisitos de conexión a tierra.

940513030-02

⚠ DANGER ⚠ DANGER ⚠ PELIGRO

 Risk of Fire. Keep all objects at least 3 feet away from this machine. Heat from Muffler and Exhaust gases can ignite combustible objects. Check for any fuel overflow or leaking. Stop the engine before refueling.

Risque d'incendie. Eloigner tous les objets au moins de 91,4 cm (3 pi) de cet appareil. La chaleur du pot d'échappement et les gaz d'échappement peuvent enflammer les objets combustibles. Vérifier l'absence de débordement ou de fuite de carburant. Arrêter le moteur avant de faire le plein.

Riesgo de incendio. Mantener todos los objetos a una distancia mínima de 91,4 cm (3 pies) de esta máquina. El calor de los gases del silenciador y el escape pueden prender fuego a objetos combustibles. Revise si hay algún derrame o fuga de combustible. Tópe el motor antes de poner combustible.

NOTICE

E0 E10 E15 E25

DO NOT USE FUEL CONTAINING MORE THAN 10% ETHANOL. IT IS A VIOLATION OF U.S. FEDERAL LAW, WILL DAMAGE YOUR PRODUCT, AND VOID THE WARRANTY.

PARACHISPAS

El uso de este equipo puede producir chispas propensas a iniciar incendios cerca de vegetación seca. Es posible que se necesite un parachispas. El operador debe ponerse en contacto con las agencias contra incendios locales para conocer las leyes y regulaciones relacionadas con los requisitos de prevención de incendios.

ADVERTENCIA DE SUPERFICIE CALIENTE

No toque el silenciador ni el cilindro de aluminio del motor. Están muy CALIENTES y causan quemaduras graves. No ponga ningún partes del cuerpo o material inflamable o combustible directamente en la trayectoria de las emanaciones del escape.

⚠ WARNING ⚠ AVERTISSEMENT ⚠ ADVERTENCIA

Operation of this equipment may create sparks that can start fires around dry vegetation. A spark arrester may be required. The operator should contact local fire agencies for laws or regulations relating to fire prevention requirements.

L'utilisation de cet équipement peut créer des étincelles susceptibles d'enflammer la végétation sèche. Il peut être nécessaire d'utiliser un pare-étincelles. L'utilisateur doit communiquer avec le service local d'incendie pour connaître toutes les lois et tous les règlements portant sur les exigences en matière de prévention des incendies.

El uso de este equipo puede producir chispas propensas a iniciar incendios cerca de vegetación seca. Es posible que se necesite un parachispas. El operador debe ponerse en contacto con las agencias contra incendios locales para conocer las leyes y regulaciones relacionadas con los requisitos de prevención de incendios.



⚠ WARNING
HOT SURFACE AND EXHAUST

⚠ AVERTISSEMENT
SURFACE ET ÉCHAPPEMENT CHAUDS

⚠ ADVERTENCIA
SUPERFICIE Y DE ESCAPE ESTEN CALIENTE

940947035-01

ASPECTOS ELÉCTRICOS

CALIBRE DEL CORDÓN DE EXTENSIÓN

Consulte el cuadro mostrado abajo para asegurarse de que el calibre de los cordones de extensión que utilice puedan con la carga eléctrica requerida. Los cordones de calibre insuficiente pueden causar una caída de voltaje, lo cual puede quemar el dispositivo y recalentar el cordón mismo.

Corriente en Amperios	Carga en vatios		Longitud máxima permitida del cordón				
	A 120 V	A 240 V	Conduct. #8	Conduct. #10	Conduct. #12	Conduct. #14	Conduct. #16
2,5	300	600		305 m (1000 pies)	183 m (600 pies)	114 m (375 pies)	76 m (250 pies)
5	600	1200		152 m (500 pies)	91 m (300 pies)	61 m (200 pies)	38 m (125 pies)
7,5	900	1800		107 m (350 pies)	61 m (200 pies)	38 m (125 pies)	31 m (100 pies)
10	1200	2400		76 m (250 pies)	46 m (150 pies)	31 m (100 pies)	15 m (50 pies)
15	1800	3600		46 m (150 pies)	31 m (100 pies)	20 m (65 pies)	
20	2400	4800	53 m (175 pies)	38 m (125 pies)	23 m (75 pies)		
25	3000	6000	46 m (150 pies)	31 m (100 pies)			
30	3600	7200	38 m (125 pies)	20 m (65 pies)			
40	4800	9600	27 m (90 pies)				

CARGAS DE MOTORES ELÉCTRICOS

Es característico en el funcionamiento normal de los motores eléctricos comunes consumir durante el arranque hasta seis veces su corriente de operación. Esta tabla puede emplearse para estimar la potencia necesaria (en vatios) para arrancar los motores eléctricos; no obstante, si un motor eléctrico no arranca o no alcanza la velocidad de funcionamiento, apague el dispositivo o herramienta de inmediato para evitar dañar el equipo. Siempre verifique los requisitos de la herramienta o aparato con la salida nominal del generador.

Capacidad del motor (H.P.)	Potencia en marcha (vatios)	Potencia necesaria para arrancar el motor (vatios)		
		Universal	Capacitor	Fase dividida
1/8	275	N/A	850	1200
1/6	275	600	850	2050
1/4	400	800	1050	2400
1/3	450	950	1350	2700
1/2	600	1000	1800	3600
3/4	850	1200	2600	—
1	1100	N/A	3300	—

AVISO:

El requerimiento de voltaje y frecuencia operativa de todos los equipos electrónicos debe comprobarse antes de enchufarlos a este generador. Pueden ocurrir daños si el equipo no está diseñado para operar dentro de una variación de voltaje de +/-10% y una variación de frecuencia de +/-3 hz de los valores nominales que aparecen en la placa de identificación del generador. A fin de evitar daños, siempre tenga una carga adicional enchufada al generador en caso de usarse equipos de estado sólido (tales como un aparato de televisión). También podría resultar necesario un acondicionador de la línea eléctrica para algunas aplicaciones; por ejemplo, con una computadora. También podría resultar necesario un acondicionador de la línea eléctrica para algunas aplicaciones de equipo de estado sólido.

ASPECTOS ELÉCTRICOS

CAPACIDAD DEL GENERADOR

Cerciórese que el generador pueda suministrar suficientes vatios de potencia continua (en marcha) y de sobrecorriente (al arrancar) para los equipos que desee alimentar al mismo tiempo. Siga estos pasos sencillos.

1. Seleccione los equipos que desea alimentar al mismo tiempo.
2. Sume la potencia continua (en marcha) en vatios de estos equipos. Esta es la cantidad de potencia que el generador debe producir para mantener en marcha los equipos. Observe la tabla de referencia de potencia en vatios, a la derecha.
3. Calcule cuánta potencia inicial (al arranque) en vatios necesitará. La potencia inicial (en vatios) es la breve variación rápida de potencia necesaria para poner en marcha los aparatos o herramientas accionados con motor eléctrico como las sierras circulares o los refrigeradores. Debido a que no todos los motores arrancan al mismo tiempo, se puede calcular la potencia inicial total en vatios sumando sólo los equipos con el mayor valor de potencia inicial adicional a la potencia nominal del paso 2.

Ejemplo:

Herramienta o aparato	Potencia continua en vatios*	Potencia arranque en vatios*
Refrigerador	700	780
Ventilador portátil	40	120
Ordenador portátil	250	0
Televisión de pantalla plana de 116,8 cm (46 pulg.)	190	0
Luz (75 Watts)	75	0
	1255 vatios, potencia en marcha total	780 vatios, potencia inicial máxima

$$\begin{array}{r}
 \text{Potencia continua total en vatios} \quad 1255 \\
 \text{Potencia arranque máxima en vatios} \quad + 780 \\
 \hline
 \text{Potencia total arranque en vatios requerida} \quad 1965
 \end{array}$$

ADMINISTRACIÓN DE LA POTENCIA

A fin de prolongar la vida útil del generador y los dispositivos acoplados, es importante tener cuidado al agregar cargas eléctricas al generador. NO debe haber equipo alguno conectado a los tomacorrientes del generador antes de poner en marcha el motor respectivo. La manera correcta y segura de administrar la potencia del generador consiste en agregar las cargas de manera secuencial de la manera siguiente:

1. Sin equipos conectados al generador, ponga en marcha el motor de la manera que se describe posteriormente en este manual.
2. Enchufe y active la primera carga, preferiblemente la máxima carga que tenga.
3. Deje que se estabilice la salida del generador (el motor

marcha uniformemente y el dispositivo acoplado funciona correctamente).

4. Enchufe y active la siguiente carga.
5. Nuevamente, deje que el generador se estabilice.
6. Repita los pasos 4 y 5 para cada carga adicional.

Nunca añada más cargas que las que permita la capacidad del generador. Tenga especial cuidado al considerar las cargas de sobrecorriente en la capacidad del generador según se describió anteriormente.

AVISO:

No exceda la capacidad del generador. Si excede la capacidad de corriente (amperios) y potencia (vatios) del generador puede dañar el generador y los dispositivos eléctricos conectados al mismo.

Herramienta o aparato	W de Funcionamiento Estimados**	W de Arranque Estimados*
Emergencia / En casa espera		
Luz (cant. 4 x 75 W)	300	0
Refrigerador	600	780
Televisión de pantalla plana de 116,8 cm (46 pulg.)	190	0
Receptor satelital	250	0
Ventilador portátil	40	120
Calentador	1300	1300
Ordenador portátil	250	0
Olla lenta	270	0
Radio	200	0
Sitio de trabajo		
Taladro eléctrico - 3/8 HP	440	600
Lámpara de trabajo de halógeno de cuarzo	1000	0
Sierra alternativa	960	960
Sierra circular - 184 mm (7-1/4 po)	1400	2300
Sierra de ingletes - 254 mm (10 po)	1800	1800
Compresor de aire - 1/4 HP	970	1600
Rociador de aire comprimido - 1/3 HP	600	1200

*Los valores de potencias en vatios indicados son aproximados. Verifique la potencia real de cada herramienta o aparato.

CARACTERÍSTICAS

ESPECIFICACIONES DEL PRODUCTO

MOTOR

Tipo de motor..... 80 cc Válvula en la culata (OHV)
Bujía..... Torch E6RTC o equivalentes
Volumen de llenado de lubricante Aprox. 0,35 l (12 onz.)
Volumen de combustible.....4,54 l (1,2 gal)

*Salida nominal definida según el estándar G300 de PGMA

GENERADOR

Voltaje nominal 120 V C.A./5 V C.C.
Amperaje nominal..... 15 A C.A./2,1 A C.C.
Salida nominal*..... 1 800 W
Potencia de arranque..... 2 300 W
Frecuencia nominal 60 Hz

FAMILIARÍCESE CON EL GENERADOR

Vea la figura 1.

El uso seguro que este producto requiere la comprensión de la información impresa en el producto y en el manual del operador así como ciertos conocimientos sobre el proyecto a realizar. Antes de usar este producto, familiarícese con todas las características de funcionamiento y normas de seguridad.

RECEPTÁCULOS DE 120 V, C.A.

El generador incorpora las dos siguientes tomas monofásicas receptáculos de 60 Hz que son 120 V y 20 A de corriente alterna. Los receptáculos pueden utilizarse para accionar los aparatos, iluminación eléctrica, herramientas y motores apropiados.

FILTRO DE AIRE

El filtro de aire ayuda a limitar la cantidad de tierra y polvo que penetra a la unidad durante el funcionamiento.

BOTÓN DE RALENTÍ AUTOMÁTICO

El botón de ralentí automático se utiliza para controlar la velocidad del motor y conservar el combustible. Cuando el botón está en de encendido y no hay ningún artefacto conectado a la unidad, el motor se ralentiza. Si se agrega un artefacto, la velocidad del motor aumentará hasta alimentar la unidad. Si se extrae el artefacto, el motor volverá a ralentí.

MANGOS DE ACARREO

El generador tiene los mangos de acarreo para facilitar el transporte. Los mangos deben ser utilizados para llevar el generador

SELECTOR DE EASY START

La selector de Easy Start se usa para arrancar, detener y hacer funcionar el motor. También controla la válvula reguladora y de combustible.

TANQUE DE COMBUSTIBLE

El tanque de combustible tiene una capacidad de 4,54 l (1,2 gal).

GENCONTROL™ CON BLUETOOTH®

El sistema de monitoreo GENControl™ con tecnología Bluetooth® lleva un seguimiento del nivel de combustible, el tiempo de funcionamiento, el estado inactivo automático y la carga.

TERMINAL DE CONEXIÓN A TIERRA

El terminal de conexión a tierra se utiliza para ayudar a conectar a tierra correctamente el generador como ayuda de protección contra descargas eléctricas. Consulte con un electricista local calificado con respecto a los requisitos de conexión a tierra en el área geográfica donde se encuentre usted.

PROTECCIÓN DE APAGADO POR BAJA CANTIDAD DE ACEITE

El sensor de bajo nivel de aceite provoca la detención del motor cuando el nivel de lubricante en el cárter es insuficiente.

TAPA DE ACEITE/VARILLA PARA MEDIR EL ACEITE

Retire la tapa de aceite/varilla para medir el aceite para revisar el nivel y añadir lubricante al motor cuando sea necesario.

TERMINALES DE JUEGO PARALELOR

Las terminales de juego paralelo (no polarizados) son utilizadas con un juego paralelo (vendió separadamente) que permitirá generadores para ser unidos para aumentar salida.

AVISO:

No conecte o desconecte los cables el generador mientras está funcionando. El generador o de la carga pueden resultar dañados.

NOTA: Lea y comprenda las instrucciones del juego paralelas antes del uso. Este juego es para el uso con esta unidad sólo.

CARACTERÍSTICAS

MANGO DEL ARRANCADOR RETRÁCTIL

Con un tirón del mango del arrancador retráctil (junto con selector de Easy Start) se arranca el motor.

BOTÓN DE REAJUSTE

El botón de reajuste es utilizado para restablecer la corriente si una sobrecarga ocurre. Para restablecer la corriente, retire la final carga eléctrica agregada, luego oprima el botón reset.

MANGO RETRÁCTIL

El generador está equipado con un mango retráctil que puede ajustarse para el almacenamiento y el transporte.

PUERTOS USB

Los dos puertos de carga de 5 voltios CC, 2,1 amperios exclusiva para USB cargarán la mayoría de los dispositivos compatibles.

ARMADO

DESEMPAQUETADO

Embarcamos este producto completamente armado.

- Extraiga cuidadosamente de la caja la herramienta y los accesorios. Asegúrese de que estén presentes todos los artículos enumerados en la lista de empaquetado.



ADVERTENCIA:

No use este producto si no está totalmente ensamblado o si alguna pieza falta o está dañada. Si utiliza un producto que no se encuentra ensamblado de forma correcta y completa, puede sufrir lesiones graves.

- Inspeccione cuidadosamente la unidad para asegurarse que no haya sufrido ninguna rotura o daño durante el transporte.
- No deseche el material de empaquetado hasta que haya inspeccionado cuidadosamente el producto y lo haya utilizado satisfactoriamente.
- Si hay piezas dañadas o faltantes, le suplicamos llamar al 1-800-860-4050, donde le brindaremos asistencia.

LISTA DE EMPAQUETADO

Generador

Lubricante de motor (SAE 10W 30)

Embudo

Llave para bujía

Manual del operador



ADVERTENCIA:

Si falta o está dañada alguna pieza, no utilice este producto sin haber reemplazado la pieza. Usar este producto con partes dañadas o faltantes puede causar lesiones serias al operador.



ADVERTENCIA:

No intente modificar esta producto ni introducir accesorios no recomendados para la misma. Cualquier alteración o modificación constituye maltrato y puede causar una condición peligrosa, y como consecuencia posibles lesiones corporales graves.

FUNCIONAMIENTO

PELIGRO:

Monóxido de carbono. Usar un generador en el interior LO MATARÁ EN POCOS MINUTOS.

Los gases de escape del generador contienen niveles altos de monóxido de carbono (CO), un gas venenoso que no puede verse ni olerse. Si puede oler los gases de escape del generador, está respirando CO. Pero incluso si no puede oler los gases de escape, es posible que esté respirando CO.

- Nunca use un generador dentro de su hogar, garaje, sótano, ni demás espacios parcialmente encerrados. En dichos espacios, pueden acumularse niveles mortales de monóxido de carbono. Usar un ventilador o abrir puertas y ventanas NO proporciona suficiente aire fresco.
- SÓLO utilice el generador al aire libre y lejos de ventanas, puertas y respiraderos abiertos. Estas aberturas pueden atraer los gases de escape del generador.

Incluso si utiliza el generador correctamente, el CO puede ingresar en su hogar. SIEMPRE utilice una alarma de CO de pilas o con pilas de respaldo en su hogar.

Si comienza a sentirse descompuesto, mareado o débil luego de que el generador estuvo funcionando, trasládese adonde haya aire fresco INMEDIATAMENTE. Vea a un doctor. Puede sufrir intoxicación por monóxido de carbono.

ADVERTENCIA:

Si este generador se utiliza **únicamente** con aparatos conectados con cable y enchufe, el Código Eléctrico Nacional no exige que la unidad esté puesta a tierra. Sin embargo, si se usa el generador de otra forma, podría ser necesario ponerlo a tierra para reducir el riesgo de descargas eléctricas o electrocución. Antes de usar el generador, consulte a un electricista calificado, un inspector eléctrico o un organismo local que tenga jurisdicción para saber si es necesario ponerlo a tierra en su situación.

ADVERTENCIA:

No permita que su familiarización con este producto lo vuelva descuidado. Tenga presente que un descuido de un instante es suficiente para causar una lesión grave.

ADVERTENCIA:

No utilice ningún aditamento o accesorio no recomendado por el fabricante de este producto. El empleo de aditamentos o accesorios no recomendados podría causar lesiones graves.

AVISO:

Este producto cuenta con un parachispas que ha sido evaluado por el Servicio Forestal del Departamento de Agricultura de EE. UU., sin embargo los usuarios del producto deben cumplir con los reglamentos de prevención de incendios locales, estatales y federales. Consulte a las autoridades que correspondan. Póngase en contacto con el servicio al cliente o un centro de servicio calificado para comprar un parachispas de repuesto.

AVISO:

Antes de cada uso, inspeccione todo el producto para detectar partes dañadas, faltantes o sueltas, como tornillos, tuercas, pernos, tapas, etc. Apriete firmemente todos los sujetadores y las tapas y no accione este producto hasta que todas las partes faltantes o dañadas sean reemplazadas. Llame al contacto con el servicio al cliente o con un centro de servicio calificado para recibir asistencia.

APLICACIONES

Este generador está diseñado para suministrar alimentación eléctrica para el funcionamiento de iluminación eléctrica compatible, electrodomésticos, herramientas y cargas de motor.

ANTES DE ACCIONAR LA UNIDAD

- Sólo utilícelo AL AIRE LIBRE y guarde una distancia al menos de 6 m (20 pies) alejado de ventanas, puertas y orificios de ventilación según lo recomendado por el Departamento de Salud y Servicios Humanos y por los Centros para el Control y la Prevención de Enfermedades de los Estados Unidos. Las condiciones particulares de su casa o del viento puede requerir una distancia adicional.
- NUNCA lo use dentro de su hogar o del garaje, INCLUSO con las puertas y las ventanas abiertas.
- Coloque siempre el generador sobre una superficie firme plana.

REQUISITOS ESPECIALES:

Es posible que se apliquen reglamentaciones de la Administración de Salud y Seguridad Ocupacional (Occupational Safety and Health Administration, OSHA) generales o estatales, códigos u ordenanzas locales al uso para el que fue diseñado el generador.

Consulte a un electricista calificado, a un inspector de instalaciones eléctricas o a la agencia local con jurisdicción:

- En algunas áreas, se deben registrar los generadores en las respectivas compañías de servicios públicos locales.
- Si el generador es utilizado en una obra en construcción, es posible que se deban respetar reglamentaciones adicionales.

FUNCIONAMIENTO

CÓMO USAR EL PUERTO DE CARGA EXCLUSIVO PARA USB

Vea la figura 1.

NOTE: The LCD display will not work unless the unit is running.

El puerto de carga exclusivo para USB carga la mayoría de los dispositivos que puedan aceptar una carga desde un puerto USB.

- Para MP3, teléfonos celulares y otros pequeños dispositivos USB (hasta 1,9 A), conectar al puerto USB superior..
- Para tabletas y dispositivos de corriente de carga alta (hasta 2,1 A) conectar al puerto USB inferior.

NOTA: El puerto de carga exclusivo para USB suministra solamente corriente eléctrica, no aporta capacidad de comunicación. El usuario deberá proveer un cable adecuado para USB.

PANTALLA LCD DE GENCONTROL™

Vea la figura 2.

Nivel de combustible:

El indicador del nivel de combustible muestra cuánto combustible resta.

Nivel de carga:

El indicador del nivel de carga muestra la carga conectada. Si el generador está llegando a la capacidad máxima de voltaje/amperaje, titilará. Si se excede la capacidad del nivel de carga, la pantalla LCD muestra OVERLOAD (sobrecarga). Para restablecer el generador, quite todas las cargas del generador y presione el botón Reset (Restablecer); vea la figura 1. Vuelva a agregar cargas al generador de a una por vez teniendo cuidado de no exceder la capacidad nominal de voltaje de los generadores.

Tiempo de funcionamiento:

La pantalla LCD muestra el tiempo de funcionamiento restante aproximado en función del nivel de combustible y la carga.

Estado inactivo automático:

La pantalla LCD muestra si el estado está activado o no.

BLUETOOTH®:

Una vez conectada, la pantalla LCD muestra si la app de GENControl™ está conectada por Bluetooth®.

VERIFICACIÓN Y ABASTECIMIENTO DE LUBRICANTE

Vea la figura 3.

AVISO:

Si se intenta arrancar el motor antes de haberse abastecido debidamente de lubricante podría descomponerse el equipo.

NOTA: Si recibe un manual del motor para este producto, respete el instrucciones que se indique en el manual del motor y no la información que figura a continuación.

El lubricante de motor empleado es un factor de gran importancia en el rendimiento y vida de servicio del motor. Para uso general, a todas temperaturas, se recomienda el aceite SAE 10W-30. Siempre utilice lubricante para motor de cuatro tiempos que satisfaga o sobrepase los requisitos SJ de clasificación de servicio API.

Este motor viene con una característica que apagará el motor cuando no se mantiene el nivel específico de lubricante. El motor volverá a arrancar hasta que se alcance el nivel adecuado de lubricante.

NOTA: El lubricante sin detergente o para motor de dos tiempos daña el motor, por lo cual no debe usarse.

- Afloje la perilla a un lado de la cubierta del generador. Retire la cobertura y hágala a un lado.
- Desenrosque la tapa de relleno de aceite/varilla medidora de aceite y retírela.
- Limpie la varilla de nivel y vuelva a asentarla en el agujero; no la enrosque.
- Retire de nuevo la varilla medidora de lubricante y verifique el nivel de lubricante. El nivel de lubricante debe estar entre las marcas mínima y máxima en la varilla medidora.
- Si el nivel está bajo, agregue lubricante para motor hasta que el nivel de fluido se encuentre entre las marcas mínima y máxima en la varilla medidora.
- Vuelva a colocar la tapa de relleno de aceite/varilla medidora de aceite y asegúrela.
- Vuelva a instalar la cubierta.

USO DE ESTABILIZADOR DE COMBUSTIBLE

El combustible se hace viejo, se oxida y descompone al paso del tiempo. Agregando estabilizador de combustible (no incluido) se prolonga la vida útil del combustible y se evita la formación de depósitos, los cuales pueden tapar el sistema del combustible. Siga las instrucciones del fabricante del estabilizador de combustible en cuanto a la debida proporción estabilizador-combustible.

- Mezcle el estabilizador de combustible y la gasolina antes de llenar el tanque mediante el uso de una lata de gasolina u otro recipiente aprobado para combustible; agítela suavemente para realizar la mezcla.

NOTA: Para controlar la cantidad de estabilizador de combustible que se agrega al motor, siempre mézclelo con la gasolina antes de llenar el tanque, en vez de agregarlo directamente al tanque de combustible del generador.

- Coloque de nuevo la tapa del tanque de combustible y asegúrela.
- Arranque el motor y déjelo funcionar por lo menos cinco minutos para permitir que el estabilizador trate todo el sistema de combustible.

FUNCIONAMIENTO

COMBUSTIBLES MEZCLADOS CON ETANOL

AVISO:

No utilice combustibles E15 o E85 con este producto. Esto constituye una violación a la ley federal, dañará la unidad y anulará la garantía. Utilice únicamente gasolina sin plomo que contiene hasta 10% de etanol.

ABASTECIMIENTO DE COMBUSTIBLE

Vea la figura 4.



PELIGRO:

Riesgo de incendios y lesiones por quemaduras: Nunca retire la tapa de combustible mientras esté encendida la unidad. Apague el motor y deje enfriar la unidad durante al menos cinco minutos. Retire la tapa lentamente.



ADVERTENCIA:

La gasolina y los vapores de la misma son extremadamente inflamables y explosivos. Para evitar lesiones y daños físicos serios, maneje con cuidado la gasolina. Manténgala lejos de fuentes de ignición, manéjela solamente al aire libre, no fume mientras vierta la gasolina y limpie de inmediato cualquier derramamiento que ocurra.

Al abastecer de gasolina la generador, asegúrese de que la unidad esté asentada en una superficie horizontal nivelada. Si está caliente el motor, permita que se enfríe la generador durante cinco minutos antes de reabastecerla de gasolina. SIEMPRE llene el tanque al aire libre y teniendo apagada la máquina.

- Lleve el selector de Easy Start a la posición "OFF/STORAGE" (apagado).
- Retire lentamente la tapa de combustible.
- Llene el tanque de combustible hasta una altura de 25,4 mm (1 pulg.) abajo del cuello del tanque.
- Coloque de nuevo la tapa del tanque de combustible y asegúrela.



ADVERTENCIA:

Apague siempre el motor antes de reabastecer combustible. Nunca retire la tapa de combustible ni agregue combustible a una máquina mientras el motor esté en funcionamiento o caliente. Asegúrese de que la unidad esté apoyada en una superficie horizontal y nivelada, y solo agregue combustible al aire libre. Si el motor está caliente, deje que el unidad se enfríe durante al menos cinco minutos antes de reabastecer. Vuelva a colocar inmediatamente la tapa del tanque después de reabastecer y apriétela firmemente. Aléjese al menos 9 metros (30 pies) del sitio de carga de combustible antes de poner en marcha el motor. No fume y permanezca lejos de llamas abiertas y chispas! La inobservancia de estas instrucciones podrían provocar un incendio y lesiones personales graves.

NOTA: Siempre utilice gasolina sin plomo con un octanaje nominal inicial de 86 o mayor. Nunca utilice gasolina vieja, pasada o contaminada, y no utilice mezcla de aceite y gasolina. No permita que entre tierra o agua en el tanque de combustible. **No use combustible E85.**

ARRANQUE DEL MOTOR

Vea las figuras 5 a 7.

AVISO:

Teniendo la unidad en una superficie nivelada y con el motor apagado, revise el nivel de lubricante cada vez antes de usar el generador.

NOTA: Si el generador no está en una superficie nivelada, es posible que no arranque o se apague durante su funcionamiento.

Para comenzar generador la primera vez:

- Agregue motor lubricante por las instrucciones manual del operador.
- Lleve el selector de Easy Start a la posición "COLD START."
- Llene el tanque por las instrucciones manual del operador.
- Tire del arrancador retráctil hasta que arranque el motor.
- Lleve la selector de Easy Start a la posición "RUN/RE-START."
- Deje que el motor funcione de 15 a 30 minutos y luego mueva la selector de Easy Start a la posición RUN/RE-START.

Para comenzar tiempos subsiguientes:

- Desconecte todas las cargas del generador.
- Lleve la selector de Easy Start en la posición "COLD START" (superior).

FUNCIONAMIENTO

NOTA: Cuando el selector de Easy Start está en la posición “COLD START” (superior), el combustible circulará desde el tanque de combustible hasta el motor. Si el motor está caliente, desplace izquierdo el selector de Easy Start de la posición “RUN/RE-START” (centro).

- Tire del arrancador retráctil hasta que comience a funcionar el motor.

NOTA: No permita que el mango se retraiga violentamente después de arrancar; regrese suavemente a su lugar original. Iniciar el funcionamiento de la unidad puede requerir tirones adicionales.

- Permita que el motor funcione 15 a 30 segundos y, después, desplace izquierdo el selector de Easy Start en la posición “RUN/RE-START” (funcionamiento).

APAGADO DEL MOTOR

Vea las figuras 5 y 6.

- Desconecte del generador toda carga presente.
- Lleve el selector de Easy Start a la posición “OFF/STORAGE” (apagado).

Para apagar el motor en una situación de emergencia:

- Lleve el selector de Easy Start a la posición “OFF/STORAGE” (apagado).



ADVERTENCIA:

Tanto en funcionamiento como al guardarlo, mantenga siempre 91,4 cm (3 pies) de espacio libre en todos los laterales de este producto, incluida la parte superior. Aguarde al menos 30 minutos para el equipo se enfríe antes de guardarlo. El calor generado por el silenciador y los gases de escape puede ser suficiente para causar quemaduras graves y/o prender fuego a objetos combustibles.

CONEXIÓN DEL GENERADOR BLUETOOTH®

Vea la figura 8.

La instalación de la app de RYOBI GENControl™ en su dispositivo iOS o Android con **Bluetooth®** le permite ver o controlar muchas funciones del generador desde el dispositivo.

- Desde la tienda de apps de su dispositivo iOS o Android con **Bluetooth®**, busque e instale la app de RYOBI GENControl™.
- Abra la app y siga las instrucciones que aparecen allí.

NOTA: Asegúrese de habilitar **Bluetooth®**.

- Arranque el generador. Mantenga presionado el botón “Push and Hold to Pair” debajo del panel de LCD en el generador hasta que la pantalla muestre el “Pairing Mode” (Modo de conexión).

- La pantalla LCD en el generador y la app de su dispositivo indicarán si la conexión se lleva a cabo.

NOTA: Si el generador y la app no se conectan, asegúrese de que aparezca el modo “Pairing Mode” durante el proceso de conexión y de que la función **Bluetooth®** esté habilitada.

- Presione el ícono del menú en la esquina superior izquierda de la pantalla. Aparecerán las funciones disponibles que puede controlar con la app.

TRASLADO EL GENERADOR

Vea la figura 9.

- Coloque el selector de Easy Start en posición de “OFF/STORAGE” (apagado). En posición “OFF/STORAGE” (apagado), la válvula de combustible será cerrada y previene cualquier flujo de gasolina.
- Permita un período de enfriamiento de 30 minutos antes de guardar la máquina. Asegúrese de que estén fríos el motor y el escape de la unidad.
- Saque el mango retráctil o lleva por el mango de acarreo.
- Colóquese de delantero a la parte posterior del generador, y sujete el mango retráctil firmemente con ambas manos.
- Incline el generador hacia usted hasta que se sostenga sobre sus ruedas.
- Gire la unidad, colóquese delante de ella y tire de ésta para colocarla en el lugar deseado.
- Baje el generador hasta que se apoye firmemente sobre una superficie plana.

MANTENIMIENTO

Cualquier establecimiento o técnico de reparaciones calificado puede realizar el mantenimiento normal, el reemplazo o la reparación de los dispositivos y sistemas de control de emisiones, con repuestos originales o equivalentes. Un centro de servicio autorizado deberá realizar las reparaciones y el retiro del producto que cubra la garantía. Póngase en contacto con el servicio al cliente para obtener ayuda.



ADVERTENCIA:

Antes de inspeccionar, limpiar o dar servicio a la máquina, apague el motor, espere a que se detengan todas las piezas en movimiento, desconecte el cable de la bujía y aléjelo de ésta. Permita un período de enfriamiento de 30 minutos antes de efectuar cualquier tarea de mantenimiento. El incumplimiento de cualquiera de estas instrucciones podría causar lesiones serias.



ADVERTENCIA:

Al dar servicio a la unidad, sólo utilice piezas de repuesto recomendadas o equivalentes. El empleo de piezas diferentes puede causar un peligro o dañar el producto.

AVISO:

Inspeccione periódicamente todo el producto para detectar partes dañadas, faltantes o sueltas, como tornillos, tuercas, pernos, tapas, etc. Apriete firmemente todos los sujetadores y las tapas y no accione este producto hasta que todas las partes faltantes o dañadas sean reemplazadas. Llame al contacto con el servicio al cliente o con un centro de servicio calificado para recibir asistencia.

MANTENIMIENTO GENERAL

Mantenga el generador en un entorno limpio y seco, en el cual no esté expuesto al polvo, tierra, humedad o vapores corrosivos. No permita que las ranuras de aire de ventilación del generador se tapen de materia extraña, como hojas, etc. No utilice una manguera de jardín para limpiar el generador. El agua que entra al sistema de combustible u otras partes internas puede causar problemas que acortan la vida de servicio del generador.

Para limpiar la unidad:

- Con un cepillo de cerdas suaves y/o una aspiradora afloje y elimine la tierra y la basura.
- Limpie las aberturas de ventilación con aire a baja presión que no se exceda de 25 psi.
- Limpie las superficies exteriores del generador con un paño húmedo.

REVISIÓN Y LIMPIEZA DEL FILTRO DE AIRE

Vea la figura 10 y 11.

Para obtener un desempeño apropiado y una larga vida útil de la unidad, mantenga limpios los filtro de aire.

- Retire la perilla un lado de la cubierta del motor. Retire la cobertura y hágala a un lado.
- Retire el tornillo que está en el centro de la tapa del filtro de aire. Retire la tapa y déjela a un lado.
- Extraiga el filtro de aire.
- Lave el filtro de aire con agua jabonosa tibia. Enjuáguelo y estrújelo para secarlo.
- Vuelva a instalar la filtro de aire.

NOTA: Asegúrese de que los filtro estén correctamente colocados dentro del generador. La instalación incorrecta de los filtros hará que ingrese suciedad al motor y que éste se desgaste rápidamente.

- Vuelva a instalar la tapa del filtro de aire. Apriete el tornillo para asegurarla.
- Vuelva a instalar la cobertura de motor. Apriete los tornillos para asegurarla.

NOTA: No ponga a funcionar el generador sin los filtro de aire. Se causa un desgaste acelerado del motor.

CAMBIO DE LUBRICANTE DE MOTOR

Vea la figura 12.

Para lograr un desempeño óptimo, el lubricante para motor debe cambiarse cada 100 horas o 6 meses de uso.

- Retire la perilla un lado de la cubierta del motor. Retire la cobertura y hágala a un lado.
- Afloje los dos tornillos y quite la cubierta de drenaje de aceite.
- Retire el tapón de drenaje del lubricante y drene el aceite viejo.
- Incline el generador para permitir que el lubricante drene por el agujero de llenado de aceite en un contenedor aprobado.

NOTA: Drene el lubricante mientras esté tibio el motor, no caliente. El aceite tibio se dreña con mayor facilidad y compleción.



ADVERTENCIA:

No cambie el lubricante para motor cuando esté caliente. El contacto accidental con lubricante para motor caliente podría ocasionarle graves quemaduras.

- Vuelva a colocar el generador en una posición recta y reabastezca de lubricante la unidad de conformidad con las instrucciones indicadas en el apartado **Verificación y abastecimiento de lubricante**. Para conocer la cantidad de lubricante que se debe agregar, consulte la sección anterior **Especificaciones del producto** de este manual o el manual del motor adjunto, si corresponde.

MANTENIMIENTO

- Vuelva a colocar la tapa de relleno de aceite/varilla medidora de aceite y asegúrela.
- Vuelva a colocar la cubierta de drenaje de aceite y ajuste los tornillos.
- Vuelva a instalar la cobertura de motor.

NOTA: El lubricante usado debe desecharse en un sitio de desecho aprobado. Si necesita más información, consulte a un concesionario de aceite de la localidad.

MANTENIMIENTO DE LA BUJÍA

Vea la figura 13.

La bujía debe tener el debido espacio interelectródico y debe estar libre de depósitos para que el motor funcione de forma correcta. Para verificar:

- Extraiga la cubierta de la bujía.
- Retire la tapa de la bujía.
- Limpie toda la tierra presente alrededor de la base de la bujía.
- Retire los bujías con la llave para bujía.
- Inspeccione la bujía para ver si está dañada, y límpiela con un cepillo de alambre antes de volver a instalarla. Si el aislante está agrietado o desportillado, debe reemplazarse la bujía. Para saber cuál es la bujía de recambio correcta, consulte la sección anterior **Especificaciones del producto** de este manual o el manual del motor adjunto, si corresponde.
- Mida el espacio interelectródico. La separación correcta es 0,60 - 0,70 mm (0,024 - 0,028 pulg.). Para ampliar la separación, doble con cuidado el electrodo (superior) de conexión a tierra. Para angostar el espacio, golpee suavemente sobre una superficie dura el electrodo de tierra.
- Asiente en su lugar la bujía y enrósquela con la mano para evitar trasroscarla.

AVISO:

Tenga cuidado de no enroscar de forma cruzada la bujía. Si hace eso, el producto se dañará gravemente.

- Apriétela con una llave para comprimir la arandela. Si es nueva la bujía, gírela 1/2 vuelta para comprimir al nivel adecuado la arandela. Si va a volver a usar la bujía vieja, gírela de 1/8 a 1/4 de vuelta para comprimir al nivel adecuado la arandela.

NOTA: Si no se aprieta debidamente, la bujía se calienta mucho y podría dañar el motor.

- Reinstale la tapa de la bujía.
- Vuelva a instalar la cobertura de motor. Apriete los tornillos para asegurarla.

LIMPIEZA DEL ORIFICIO DE ESCAPE Y DEL SILENCIADOR

Según sea el tipo de combustible empleado, el tipo y cantidad de lubricante empleado, así como las condiciones de funcionamiento, puede obstruirse el orificio de escape

y el silenciador con depósitos de carbono. Si observa alguna pérdida de potencia en la productos con motor de gasolina, quizá sea necesario eliminar dichos depósitos para restablecer el desempeño original. Recomendamos enfáticamente que este servicio lo realicen únicamente técnicos de servicio calificados.

PARACHISPAS

Vea la figura 14.

AVISO:

Este producto cuenta con un parachispas que ha sido evaluado por el Servicio Forestal del Departamento de Agricultura de EE. UU., sin embargo los usuarios del producto deben cumplir con los reglamentos de prevención de incendios locales, estatales y federales. Consulte a las autoridades que correspondan. Póngase en contacto con el servicio al cliente o un centro de servicio calificado para comprar un parachispas de repuesto.

Es necesario limpiar o reemplazar el parachispas cada 50 horas o anualmente para asegurarse del buen funcionamiento de la unidad. Los parachispas pueden estar instalados en diferentes posiciones dependiendo del modelo del cual se trate. Comuníquese con el establecimiento de servicio más cercano para confirmar la ubicación del parachispas para su modelo específico.

Para limpiar el parachispas:

- Afloje los tornillos del panel superior. Retire del panel superior y apártela.
- Quite el tornillo que mantienen el parachispas en su lugar.
- Quite el parachispas y límpielo suavemente con un cepillo de alambre.
- Vuelva a colocar el parachispas y panel posterior. Asegúrese de que todos los tornillos está apretado firmemente.

DRENAJE DEL TANQUE DEL COMBUSTIBLE Y DEL CARBURADOR

Vea la figura 15 y 16.

Para evitar los depósitos de sustancias gomosas en el sistema de combustible, vacíe el tanque de combustible y el carburador antes de guardarlo.

DRENAJE DEL TANQUE DE COMBUSTIBLE

AVISO:

Extraiga todo el lubricante de la unidad antes de drenar el tanque de combustible. Si no hace esto, la unidad podría dañarse.

- Retire la tapa del tanque de combustible.

MANTENIMIENTO

- Incline el generador para permitir que el combustible drene por el tanque de combustible en un contenedor aprobado.
- Una vez que se haya drenado todo el combustible del tanque, reemplace la tapa del tanque de combustible.

DRENAJE DEL CARBURADOR

- Retire la perilla un lado de la cubierta del motor. Retire la cobertura y hágala a un lado.
- Lleve la selector de Easy Start en la posición "RUN/RE-START" (funcionamiento).
- Retire el tubo de drenaje del carburador de la boquilla de la base del generador y colóquela en un contenedor apropiado para colocar combustible.
- Afloje el tornillo de drenaje del carburador y deje que el combustible drene completamente en el contenedor.
- Vuelva a apretar el tornillo de drenaje.
- Vuelva a colocar el tubo de drenaje del carburador en la boquilla de la base del generador.



ADVERTENCIA:

Asegúrese de que el tubo de drenaje quede bien colocado en la boquilla de drenaje. Si el tubo de drenaje no queda bien colocado, podría perder combustible hacia la parte inferior de la carcasa del generador, lo que podría causar lesiones personales graves y daños materiales.

- Lleve la selector de Easy Start en la posición de "OFF/STORAGE" (apagado).

NOTA: Consulte las normas de desecho de residuos peligrosos de la localidad donde se encuentre para averiguar la forma correcta de desechar el combustible usado.

TRANSPORTE

- Coloque la palanca de motor anegador en la posición de apagado.
- Permita un período de enfriamiento de 30 minutos antes de transportar la máquina. Asegúrese de que estén fríos el motor y el escape de la unidad.
- Al transportar la unidad, manténgala nivelada para evitar que se derrame combustible.
- No deje caer la unidad, no la golpee ni la coloque bajo objetos pesados.
- Si lo transporta en un vehículo, vacíe el tanque de combustible, lleve la selector de Easy Start en la posición de "OFF/STORAGE" e inmovilice el generador.
- Coloque una lámina de plástico o una almohadilla absorbente debajo del generador para atrapar las gotas de combustible o lubricante cuando lo almacene o lo transporte.

ALMACENAMIENTO

Al preparar el generador para guardarlo, deje que la unidad se enfríe durante 30 minutos y luego siga los lineamientos señalados abajo. Guarde siempre el generador parado sobre las patas. Nunca guarde la unidad recostada sobre un lado o en posición vertical.

TIEMPO DE ALMACENAMIENTO	ANTES DE GUARDARLO
Moins d'2 mois	<ul style="list-style-type: none"> ■ Vidanger l'essence du réservoir et la disposer dans un récipient adapté selon les règlements nationaux et locaux en vigueur.
2 mois à 1 an	<ul style="list-style-type: none"> ■ Vidanger le carburant du carburateur. ■ Vidanger l'essence du réservoir et la disposer dans un récipient adapté selon les règlements nationaux et locaux en vigueur.
1 an ou plus	<ul style="list-style-type: none"> ■ Vidanger le carburant du carburateur. ■ Retirer la bougie. ■ Vidanger l'essence du réservoir et la disposer dans un récipient adapté selon les règlements nationaux et locaux en vigueur. ■ Placer une cuillère à soupe de lubrifiant moteur dans le cylindre de la bougie. Faire tourner lentement le moteur avec le cordon pour répartir de lubrifiant. ■ Réinstaller la bougie. ■ Vidanger l'huile moteur.

NOTE : Si l'essence est entreposée dans un contenant adéquat pour une utilisation ultérieure, s'assurer qu'un stabilisateur de carburant est ajouté à l'essence conformément aux instructions de son fabricant.

MANTENIMIENTO

PROGRAMA DE MANTENIMIENTO

NOTA: Si recibe un manual del motor para este generador en particular, respete el cronograma de mantenimiento que se indique en el manual del motor y no la información de mantenimiento que figura a continuación.

	Antes de cada uso	Al cabo del primer mes o 20 horas de funcionamiento	Cada 3 meses o 50 horas de funcionamiento	Cada 6 meses o 100 horas de funcionamiento	Cada año o luego de 300 horas de funcionamiento
Revisar el lubricante del motor	■				
Cambiar el lubricante del motor ²		■		■	
Revisar el filtro de aire	■				
Limpia el filtro de aire			■		
Cambiar el filtro de aire ²					■
Comprobar/ajustar la bujía				■	
Reemplazar la bujía ²					■
Comprobar/limpiar la pantalla parachispas				■	
Comprobar/ajustar el huelgo de válvula ^{1,2}					■
Limpia el depósito y el filtro de combustible ^{1,2}				■	
Comprobar de manguera de combustible	■				■
Reemplazo del filtro de combustible	Inspeccione				Reemplazo
Compruebe todas las conexiones de mangueras	■				■
Inspeccione la respirador del vapor del tanque de combustible (si está instalada)	■				■
Inspeccione el depósito de carbón (únicamente modelos CARB)	■				■

1 Estas tareas deben ser efectuadas sólo por el centro de servicio calificado.

2 Consulte el manual del motor para conocer el cronograma de mantenimiento de este elemento.

NOTA: La frecuencia de mantenimiento debe ser mayor si se el generador se usa en zonas de mucho polvo.

Si el generador ha sobrepasado los valores máximos especificados en el cuadro, aun debe seguirse el programa de mantenimiento de acuerdo con los intervalos allí recomendados.

CORRECCIÓN DE PROBLEMAS

PROBLEMA	CAUSA POSIBLE	SOLUCIÓN
El motor no arranca.	<p>La selector de Easy Start está en la posición apagado o la posición funcionamiento.</p> <p>No hay combustible en el tanque.</p> <p>Gasolina pasada o agua pasada en la gasolina.</p> <p>Está bajo el nivel de lubricante.</p> <p>Bujía defectuosa, sucia o con separación incorrecta.</p> <p>El motor almacenado sin tratamiento ni vaciado de gasolina, o reabastecido de gasolina de mala calidad.</p> <p>Elemento de combustible obstruidos.</p>	<p>Desplace selector de Easy Start anegador hasta la posición COLD START (arranque).</p> <p>Llene el tanque.</p> <p>Revise el nivel del lubricante del motor, y reabastézcalo si es necesario.</p> <p>El motor posee un apagado por poco aceite. Si el nivel del lubricante del motor es bajo, debe llenarse antes de que la unidad arranque. Revise el nivel del lubricante del motor, y reabastézcalo si es necesario.</p> <p>Reemplace la bujía.</p> <p>Vacíe el combustible y el carburador. Reabastezca de gasolina fresca la unidad.</p> <p>Comuníquese con un centro de servicio calificado.</p>
Cuesta trabajo arrancar el motor.	<p>Hay agua en la gasolina.</p> <p>Está débil la chispa de la bujía.</p>	<p>Drene todo el sistema y reabastézcalo con combustible nuevo.</p> <p>Reemplace la bujía o comuníquese con un centro de servicio calificado.</p>
Le falta potencia al motor.	<p>El motor almacenado sin tratamiento ni vaciado de gasolina, o reabastecido de gasolina de mala calidad.</p> <p>Está sucio el filtro de aire.</p>	<p>Vacíe el combustible y el carburador. Reabastezca de gasolina fresca la unidad. Si el problema continúa, comuníquese con un centro de servicio calificado.</p> <p>Limpie o reemplace según sea necesario.</p>
No funciona el receptáculo de C.A.	<p>Está defectuoso el dispositivo conectado.</p> <p>El generador es sobrecargado.</p>	<p>Pruebe con un dispositivo diferente.</p> <p>Quite cargas y apriete el botón de reajuste.</p>

Si el problema persiste después de probar las soluciones mencionadas arriba, contacto con el servicio al cliente o con un centro de servicio calificado para solicitar asistencia.

AVISO:

Como propietario equipo, usted es responsable de la que realice el mantenimiento obligatorio que se indica en la sección *Mantenimiento*. Le recomendamos que guarde todos los comprobantes relacionados con el mantenimiento de su equipo. Negligencia o falta del mantenimiento indicado puede aumentar las emisiones, reducir la eficiencia del combustible, perjudicar el funcionamiento, provocar daños irreversibles al motor y anulará su garantía.

**Este producto tiene una garantía limitada de tres años para fines personales, familiares o domésticos (90 días para usos trabajo o comercial).
Para obtener detalles sobre la garantía, diríjase a
www.ryobitools.com o llame sin cargo al 1-800-860-4050.**

CUMPLIMIENTO DE LAS NORMAS DE LA FCC

ADVERTENCIA:

Los cambios o modificaciones hechos a esta unidad sin la autorización expresa del responsable del cumplimiento de la norma podrían anular la autoridad del usuario para manejar el equipo.

Este dispositivo cumple con la Parte 15 de las Reglas de FCC y con los estándares de la industria de RSS exentos de licencia de Canadá. El funcionamiento está sujeto a las siguientes dos condiciones: (1) Este dispositivo no debe causar interferencias perjudiciales, y (2) Este dispositivo debe admitir toda interferencia recibida, incluso aquella que pudiera dificultar el funcionamiento esperado.

NOTA: El ente que ofrece la garantía no es responsable por los cambios o modificaciones que no estén expresamente aprobados por la parte responsable del cumplimiento. Dichas modificaciones pueden anular la autoridad del usuario para hacer funcionar el equipo.

NOTA: Se ha verificado y determinado que este equipo cumple con los límites correspondientes a los dispositivos digitales de Clase B, de acuerdo con la Parte 15 de las Normas de la FCC. Estos límites están establecidos para proporcionar una protección razonable contra la interferencia dañina en las instalaciones residenciales. Este equipo genera, utiliza y puede irradiar energía de frecuencia de radio, y si no se instala y emplea de conformidad con las instrucciones, puede causar interferencia dañina a las radiocomunicaciones. No obstante, no hay garantía de que no ocurrirá ninguna interferencia en cada instalación en particular. Si este equipo causa interferencia dañina en la recepción de radio o televisión, lo cual puede determinarse apagando y luego encendiendo el equipo, se exhorta al usuario a tratar de corregir la interferencia tomando una o más de las siguientes medidas:

- Cambiar la orientación o ubicación de la antena receptora.
- Aumentar la separación entre el equipo y el aparato receptor.
- Conectar el equipo en una toma de corriente de un circuito diferente al que esté conectado el aparato receptor.
- Consultar al concesionario o a un técnico experimentado de radio y TV para que le brinden ayuda.

Este dispositivo cumple con los estándares RSS exentos de licencia de la Industria Canadiense. La operación está sujeta a las siguientes dos condiciones: (1) Este dispositivo no debe causar interferencias perjudiciales, y (2) Este dispositivo debe admitir toda interferencia, incluso aquella que pudiera dificultar el funcionamiento esperado.

Según las regulaciones de Industria de Canadá, este transmisor de radio únicamente puede funcionar con una antena de un tipo y una ganancia máxima (o menor) para el transmisor aprobada por Industria de Canadá. Para reducir una potencial interferencia de radio a otros usuarios, el tipo de antena y su ganancia se deben elegir de forma tal que la potencia isotrópica radiada equivalente (p.i.r.e.) no exceda la necesaria para establecer la comunicación.



OPERATOR'S MANUAL

MANUEL D'UTILISATION

MANUAL DEL OPERADOR

DIGITAL BLUETOOTH® INVERTER GENERATOR

CONVERTISSEUR POUR GÉNÉRATRICE AVEC BLUETOOTH®

GENERADOR INVERSOR DIGITAL CON BLUETOOTH®

RYi2300BT/Ry2300BTA/Ry2300VNM

• **PARTS AND SERVICE:** Prior to requesting service or purchasing replacement parts, please obtain your item, manufacturing, and serial numbers from the product data plate.

ITEM NO. _____

MANUFACTURING NO. _____

SERIAL NO. _____

HOW TO OBTAIN REPLACEMENT PARTS: Replacement parts can be purchased online at www.ryobitools.com or by calling 1-800-860-4050. Replacement parts can also be obtained at one of our service centers.

HOW TO LOCATE A SERVICE CENTER: Service centers can be located online at www.ryobitools.com or by calling 1-800-860-4050.

HOW TO OBTAIN CUSTOMER OR TECHNICAL SUPPORT: To obtain customer or technical support please contact us at 1-800-860-4050.

RYOBI is a trademark of Ryobi Limited and is used pursuant to a license granted by Ryobi Limited.

• **PIÈCES ET SERVICE :** Avant de faire la demande de service ou l'achat de pièces de remplacement, veuillez obtenir le numéro d'article, le numéro de fabrication et le numéro de série à partir de la plaque de données du produit.

NUMÉRO D'ARTICLE _____

NUMÉRO DE FABRICATION _____

NUMÉRO DE SÉRIE _____

COMMENT OBTENIR LES PIÈCES DE REMPLACEMENT : Les pièces de remplacement peuvent être achetées en ligne sur le site www.ryobitools.com ou par téléphone au 1-800-860-4050. Les pièces de remplacement peuvent être obtenues à un de nos centres de service.

COMMENT TROUVER UN CENTRE DE SERVICE : Les centres de service peuvent être localisés en ligne au www.ryobitools.com ou en téléphonant au 1-800-860-4050.

COMMENT OBTENIR DE L'AIDE EN CONTACTANT LE SERVICE À LA CLIENTÈLE : Pour contacter le service à la clientèle pour une question technique ou pour tout autre renseignement, veuillez nous téléphoner au 1-800-860-4050.

RYOBI est une marque de Ryobi Limited et est utilisée en vertu d'une licence accordée par Ryobi Limited.

• **PIEZAS DE REPUESTO Y SERVICIO:** Antes de solicitar servicio técnico o comprar piezas de repuesto, obtenga su número de artículo, el número de fabricación y el número de serie de la placa de datos del producto.

NÚMERO DE ARTÍCULO _____

NÚMERO DE FABRICACIÓN _____

NÚMERO DE SERIE _____

CÓMO OBTENER PIEZAS DE REPUESTO: Las piezas de repuesto se pueden comprar en nuestro sitio en la red mundial, en la dirección www.ryobitools.com o llamando al 1-800-860-4050. Las piezas de repuesto también se pueden obtener en uno de nuestros centros de servicio.

CÓMO LOCALIZAR UN CENTRO DE SERVICIO: Puede encontrar los centros de servicio visitando nuestro sitio en la red mundial, en la dirección www.ryobitools.com or by calling 1-800-860-4050.

CÓMO OBTENER SERVICIO O ASISTENCIA TÉCNICA AL CONSUMIDOR: Para obtener servicio o asistencia técnica al consumidor, sírvase comunicarse con nosotros llamando al 1-800-860-4050.

RYOBI es una marca de Ryobi Limited y se utiliza conforme a una licencia otorgada por Ryobi Limited.

TECHTRONIC INDUSTRIES POWER EQUIPMENT

995000506

11-01-19 (REV:05)

P.O. Box 1288, Anderson, SC 29622 USA

1-800-860-4050 • www.ryobitools.com