

IMPORTANT SAFETY INSTRUCTIONS

WARNING!
READ AND UNDERSTAND ALL INSTRUCTIONS. Failure to follow all instructions listed below may result in electric shock, fire and/or serious injury.

■ **SAVE THESE INSTRUCTIONS** - This manual contains important safety and operating instructions for power source model RYi150BG.

CAUTION:
 The output of this device is not sinusoidal. It has a total harmonic distortion of 40 percent and maximum single harmonic of 30 percent.

- For use with RYOBI 18V battery packs, see tool/appliance/battery pack/charger correlation supplement 987000-432.
- Do not expose the power source to rain or wet conditions. Water entering the power source will increase the risk of electric shock.
- Do not use the power source if it has been dropped or received a sharp blow. A damaged power source will increase the risk of fire.
- Remove the battery pack from the power source when not in use.
- Do not expose to rain or use in damp locations.
- Do not disassemble the power source.
- To reduce the risk of injury, close supervision is necessary when an appliance is used near children.
- Store power source indoors and away from children.
- As with all electrical devices, use caution when plugging/unplugging other devices into this unit. Do not force plugs into this unit.
- If this unit is used in a manner not specified by the manufacturer, the protection provided by this equipment may be impaired.
- Do not overload the power source. It must be used for powering devices less than the product rating.
- Two- or three-prong plugs may be used with this product. Do not force a polarized plug (one prong larger than the other) into this product. Flip plug over and retry.
- Never block air vents. Blocked vents may cause overheating. Power source will automatically shut off when overheated.
- Keep power source cool. Do not place near heat vents or in direct sunlight.
- Do not use the power source around flammable fumes and gasses, such as in the bilge of a boat or near propane tanks.
- Do not put foreign objects into the power source.
- Operate this product using only the AC power type listed in the product specifications.
- This unit should never be hard wired into a circuit.
- Do not power life support devices or other necessary medical equipment with this power source.
- Save these instructions. Refer to them frequently and use them to instruct others who may use this product. If you loan someone this product, loan them these instructions also.

PRODUCT SPECIFICATIONS

Watts	150 Watts Continuous
DC Input	18 Volts DC
AC Output	120 Volts, 1.25 Amps
USB Output	5 Volt (2.4 Amp) DC
Output Wave Form	Modified Sine Wave

OPERATION

APPLICATIONS

You may use this product for the following purposes:

- Operating and charging USB-powered devices
- Supplying electrical power for operating compatible small electronics such as cell phones, tablets, laptops, LED lights, small fans, radios, etc.

NOTE: This device is not compatible for use with appliances, power tools, air conditioners, sump pumps, compressors, and/or other larger electrical devices.

INSTALLING/REMOVING BATTERY PACK

See Figure 1.

■ **To install:** insert a battery pack into the power source as shown. Make sure the latches on the battery pack snap into place and the battery pack is secured in the power source before beginning operation.

■ **To remove:** depress the latches on the battery pack.

USING THE POWER SOURCE

See Figure 2.

When a battery pack is installed, this power source converts DC electricity to 120V AC household power and/or 5 volt DC USB (up to 2.4 amp) charging power, allowing the user to charge and power a variety of devices.

WARNING:
Risk of electric shock. When using a grounded appliance this tool will not provide an electrical path to earth ground. Do not power devices with damaged or frayed power cords.

- Insert a battery pack into the power source.
- Press and hold the power button (⏻) for three seconds to turn the power source **ON**. The LED will light up green when ready to use.
- Plug devices you want to power or charge into the power source's USB ports and/or 120 volt receptacle.
 - If the power button LED blinks red then turns off, the power source may be overloaded. Disconnect your device, make sure your battery pack is sufficiently charged to power your device, then press the button to turn the power source back on. Reconnect your device and try again. If the fault condition immediately reoccurs, the item being powered exceeds the capacity of the power source.
 - If the power button LED turns red but does not shut down the power source, the power source is overheated. Allow the unit to cool until the LED turns green, then try again.
 - If the power button LED flashes yellow, the battery pack needs to be recharged.

■ To use the worklight, press the light button (☼). Press the light button a second time to make the light blink. Press the light button again to turn off the worklight.

NOTE: The power source must be on for the worklight to function.

■ When finished, disconnect your device and press the power button indicator (⏻) again for three seconds to turn off the power source.

NOTE: When needed, an internal cooling fan will run to regulate the unit's operating temperature. If running, always wait for the fan to stop before you disconnect the battery pack from the power source.

WARRANTY

This product has a **Three-year Limited Warranty for personal, family, or household use (90 days for business or commercial use).** For warranty details, visit www.ryobitools.com or call (toll-free) 1-800-860-4050.

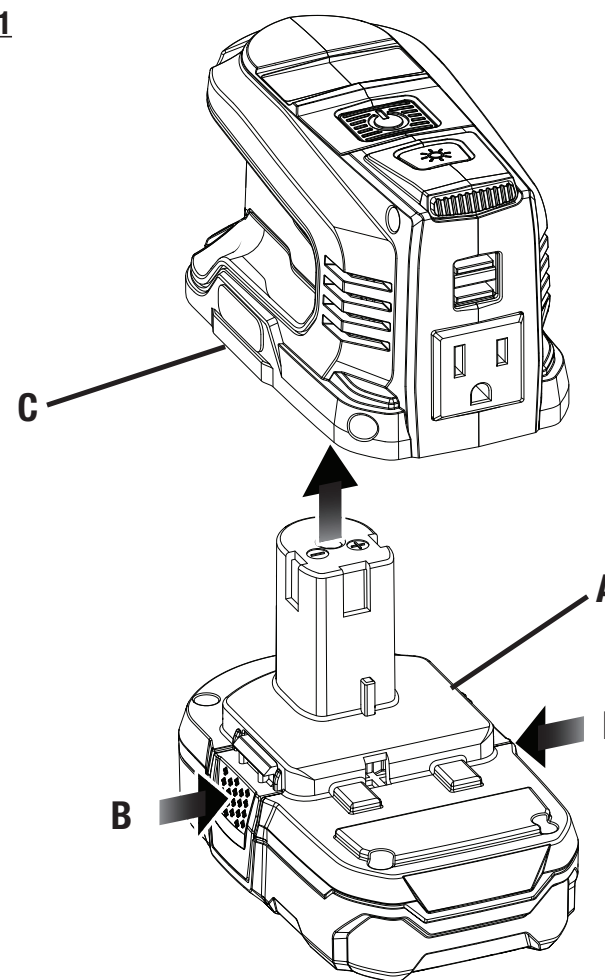
FCC COMPLIANCE

WARNING:
 Changes or modifications to this unit not expressly approved by the party responsible for compliance could void the user's authority to operate the equipment.

This device complies with part 15 of the FCC rules. Operation is subject to the following two conditions: (1) this device may not cause harmful interference, and (2) this device must accept any interference received, including interference that may cause undesired operation.

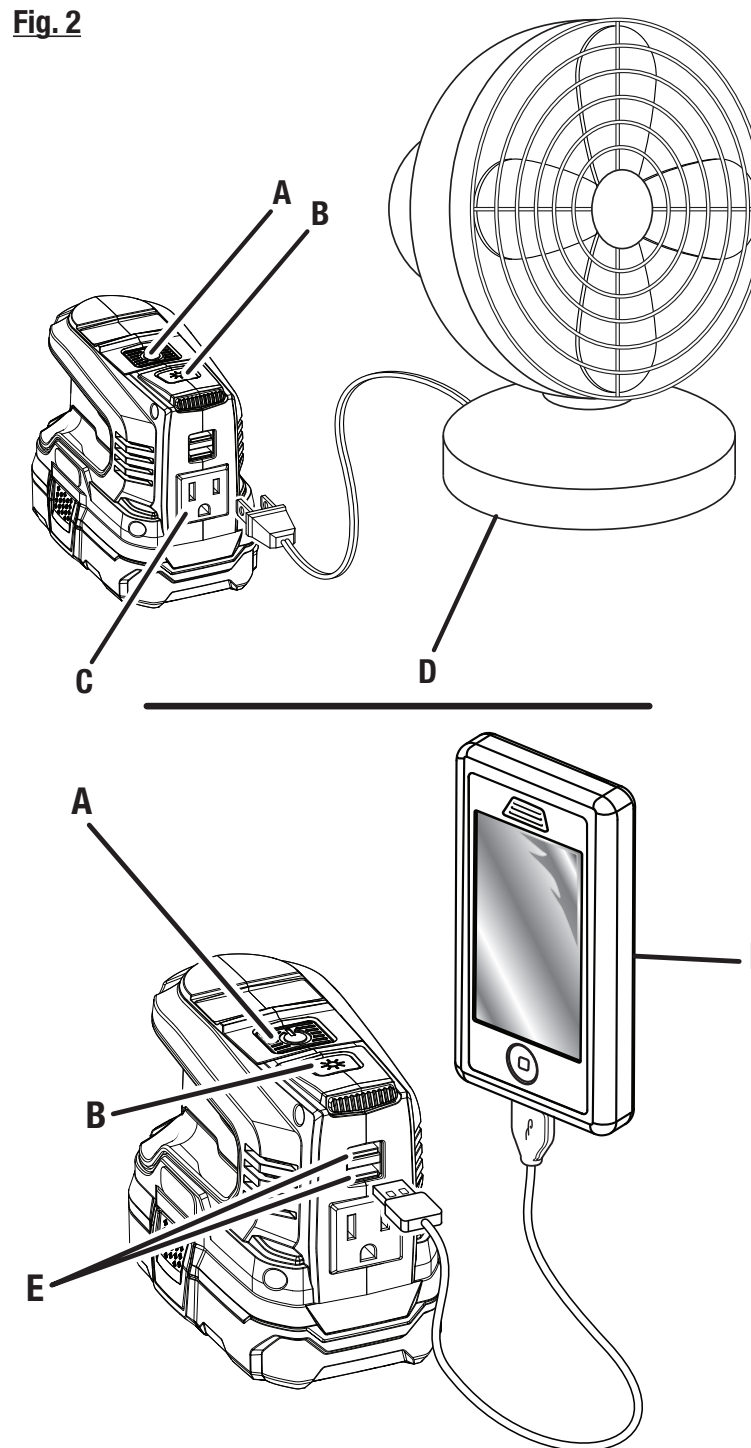
ILLUSTRATIONS / ILLUSTRÉES / ILUSTRADAS

Fig. 1



- A - Battery pack (not included) [bloc-piles (non inclus), paquete de baterías (no suministrado)]
- B - Depress latches to release battery pack (appuyer sur les loquets pour libérer le bloc-piles, para soltar el paquete de baterías oprima los pestillos)
- C - Power source (bloc d'alimentation, fuente de alimentación)

Fig. 2



- A - Power button (bouton d'alimentation, botón de encendido)
- B - Light button (bouton de lumière, botón de luz)
- C - 120 V receptacle (réceptacle 120 V, receptáculo de 120 voltios)
- D - AC product to be powered (not provided) [produit à alimenter (non fourni), producto de CA para ser alimentado (no provisto)]
- E - 2.4 amp USB ports (ports USB 2,4 A, puertos USB de 2,4 A)
- F - USB product to be charged (not provided) [produit USB à charger (non fourni), producto USB a cargar (no provisto)]

NOTE: The grantee is not responsible for any changes or modifications not expressly approved by the party responsible for compliance. Such modifications could void the user's authority to operate the equipment.

NOTE: This equipment has been tested and found to comply with the limits for a Class B digital device, pursuant to part 15 of the FCC Rules. These limits are designed to provide reasonable protection against harmful interference in a residential installation. This equipment generates, uses and can radiate radio frequency energy and, if not installed and used in accordance with the instructions, may cause harmful interference to radio communications. However, there is no guarantee that interference will not occur in a particular installation. If this equipment does cause harmful interference to radio or television reception, which can be determined by turning the equipment off and on, the user is encouraged to try to correct the interference by one or more of the following measures:

- Reorient or relocate the receiving antenna.
- Increase the separation between the equipment and receiver.
- Connect the equipment into an outlet on a circuit different from that to which the receiver is connected.
- Consult the dealer or an experienced radio/TV technician for help.

This device complies with Industry Canada license-exempt RSS standard(s). Operation is subject to the following two conditions: (1) this device may not cause interference, and (2) this device must accept any interference, including interference that may cause undesired operation of the device.

Under Industry Canada regulations, this radio transmitter may only operate using an antenna of a type and maximum (or lesser) gain approved for the transmitter by Industry Canada. To reduce potential radio interference to other users, the antenna type and its gain should be so chosen that the equivalent isotropically radiated power (e.i.r.p.) is not more than that necessary for successful communication.

Model/item number on product may have additional letters at the end. These letters designate manufacturing information and should be provided when calling for service.

TTI OUTDOOR POWER EQUIPMENT, INC.

P.O. Box 1288, Anderson, SC 29622, USA
 1-800-860-4050 ■ www.ryobitools.com 995000771
 3-24-23 (REV:09)

