

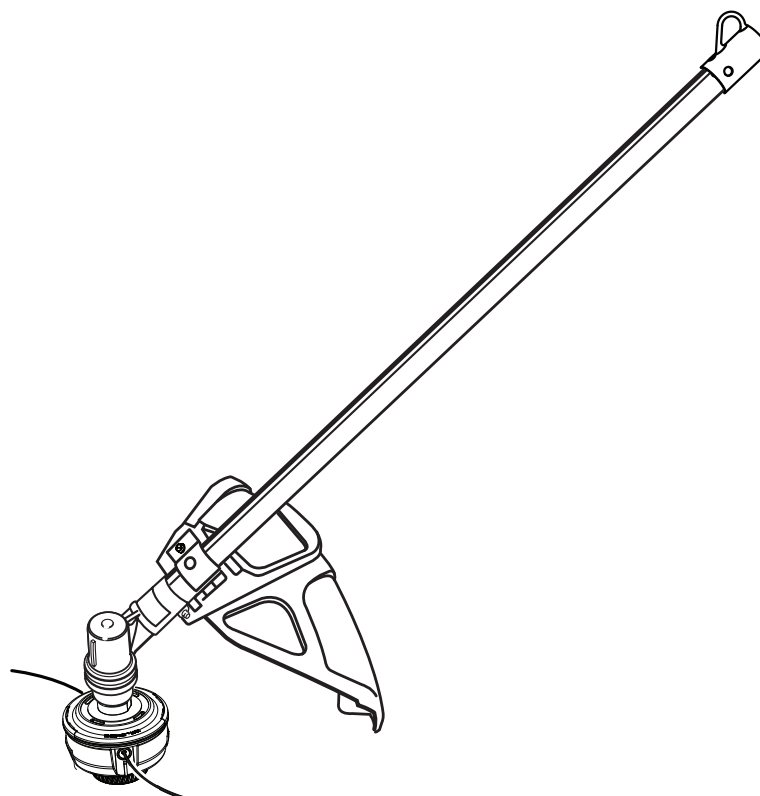
REPAIR SHEET

BRAND
RYOBI

DESCRIPTION
**EXPAND-IT
Straight Shaft Trimmer
Attachment**

MODEL NO.
**RYSST44
RYSST44VNM**

MFG. NO.
**090110014
095110101/095110103**

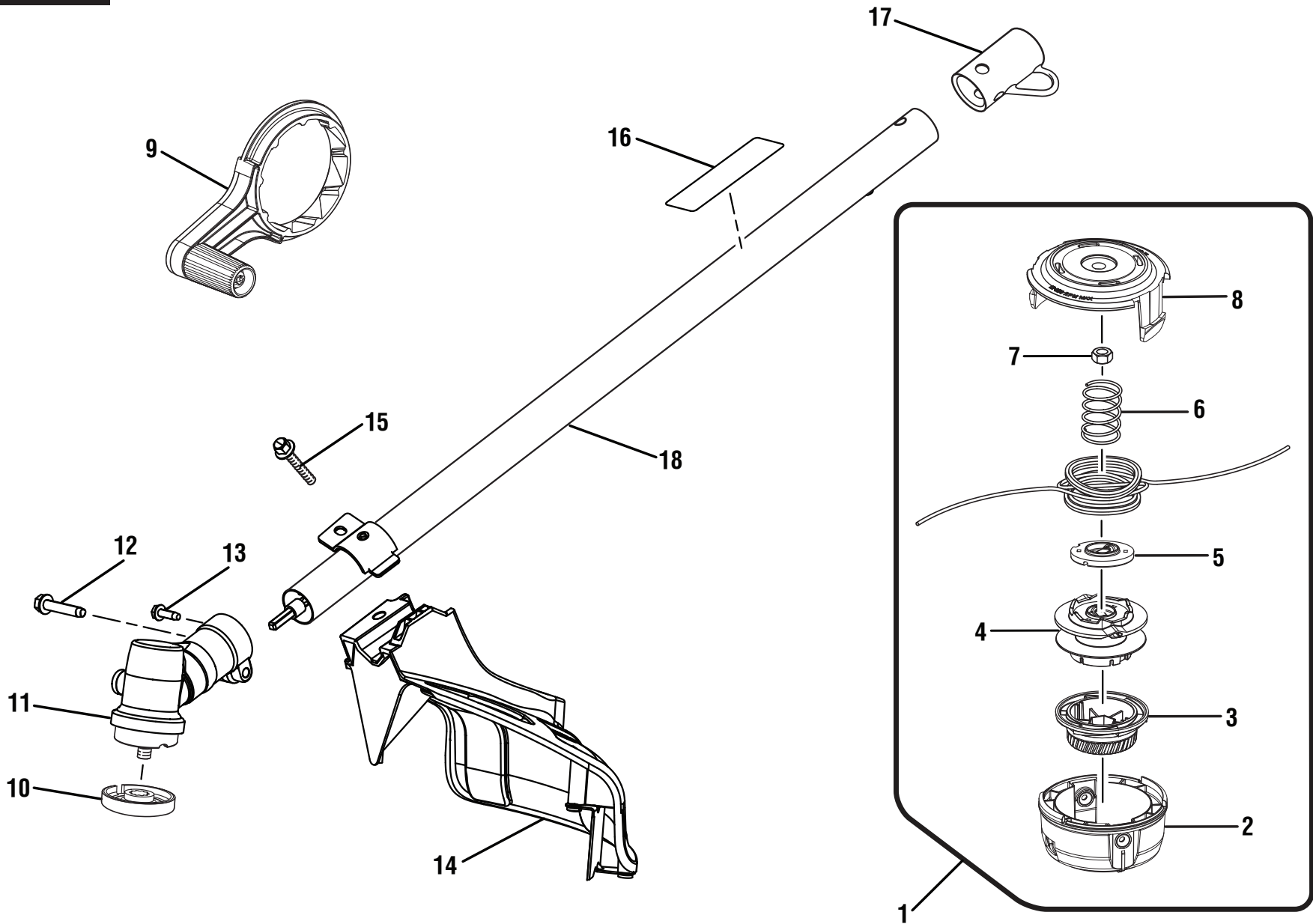


TECHTRONIC INDUSTRIES POWER EQUIPMENT

P.O. Box 1288, Anderson, SC 29622 ■ 1-800-525-2579 ■ www.ryobitools.com

8-10-21 (Rev:03)

The model number and manufacturing location will be found on a label attached to the product. Always mention this information in all communications regarding this product and when ordering parts.





RYSSST44/RYSSST44VNM

PARTS LIST

KEY NO.	PART NO.	DESCRIPTION	QTY.
1	311759015	Trimmer Head Assembly (.080) (Inc. Key Nos. 2-8)	1
2	530366001	Lower Housing	1
3	530455002	Bump Knob (Green)	1
4	530670001	Spool	1
5	529803001	String Guide	1
6	678749001	Compression Spring	1
7	695215001	Hex Nut (M8, L.H. Thread)	1
8	530001001	Upper Housing	1
9	312283001	Crank Handle Assembly	1
10	678011001	Flanged Washer	1

KEY NO.	PART NO.	DESCRIPTION	QTY.
11	308210009	Gear Case Assembly	1
12	660642001	Screw (1/4-20 x 1-1/4 in., Hex Washer Hd. S.T.)	1
13	660641001	Screw (10-24 x 5/8 in., Hex Washer Hd. S.T.)	1
14	308473005	Grass Deflector Assembly (Inc. Key No. 15)	1
15	660738002	Screw (1/4-20 x 1.25 in., Hex Washer Hd.)	1
16	940657165	Warning Icon Label	1
17	518019002	Storage Hanger Cap	1
18	308035047	Straight Shaft Assembly (Inc. Key Nos. 16-17)	1
	Not Shown:		
	995000172	Operator's Manual (961494022)	