



REGISTER YOUR TOOLS

<http://register.ryobitools.com>
1-800-525-2579

OPERATOR'S MANUAL

MANUEL D'UTILISATION

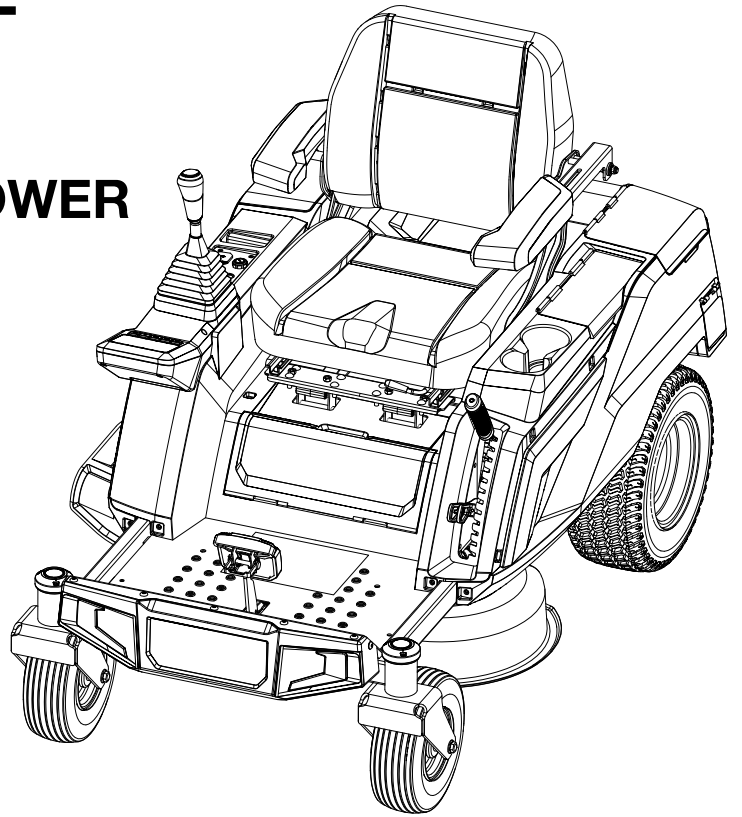
MANUAL DEL OPERADOR

ELECTRIC ZERO TURN MOWER

TONDEUSE ÉLECTRIQUE À BRAQUAGE ZÉRO

PODADORA ELÉCTRICA DE GIRO CERO

RYRM8001/RYRM8001CAN



Accessories
Accessoires
Accesorios

TABLE OF CONTENTS

- Important Safety Instructions..... 2-5
- Important Safety Rules for Charger 5-6
- Symbols 7-8
- Safety Labels 9-10
- Features 11-12
- Operation 13-21
- Maintenance 22-31
- Accessories.....32
- Troubleshooting 33-35
- Slope Guide 36-37
- Parts Ordering/Service..... Back Page

TABLE DES MATIÈRES

- Instructions importantes concernant la sécurité..... 2-5
- Règles de sécurité importantes concernant le chargeur 5-6
- Symboles 7-8
- Étiquettes de sécurité 9-10
- Caractéristiques 11-12
- Utilisation 13-21
- Entretien 22-31
- Accessoires.....32
- Dépannage..... 33-35
- Guide de pente 36-37
- Commande de pièces / réparation Page arrière

ÍNDICE DE CONTENIDO

- Instrucciones de seguridad importantes 2-5
- Reglas de seguridad importantes para el empleo del cargador 5-6
- Símbolos 7-8
- Etiquetas de seguridad 9-10
- Características 11-12
- Funcionamiento 13-21
- Mantenimiento 22-30
- Accesorios32
- Corrección de problemas 33-35
- Guía de pendientes 36-37
- Pedidos de piezas/ servicio Pág. posterior

⚠ WARNING: To reduce the risk of injury, the user must read and understand the operator's manual before using this product.

⚠ AVERTISSEMENT : Pour réduire les risques de blessures, l'utilisateur doit lire et veiller à bien comprendre le manuel d'utilisation avant d'employer ce produit.

⚠ ADVERTENCIA: Para reducir el riesgo de lesiones, el usuario debe leer y comprender el manual del operador antes de usar este producto.

SAVE THIS MANUAL FOR FUTURE REFERENCE

CONSERVER CE MANUEL POUR FUTURE RÉFÉRENCE



GUARDE ESTE MANUAL PARA FUTURAS CONSULTAS

IMPORTANT SAFETY INSTRUCTIONS


DANGER:

READ ALL SAFETY WARNINGS, INSTRUCTIONS, AND ASSEMBLY INSTRUCTIONS PROVIDED WITH THIS PRODUCT. Use of a Zero Turn Mower requires an understanding of how the mower and controls operate. Failure to follow all warnings and instructions will result in death, serious personal injury, electric shock, and/or fire.

READ ALL INSTRUCTIONS

- This cutting machine is capable of amputating hands and feet and throwing objects. Failure to observe all safety instructions could result in serious injury or death.
- Avoid dangerous environment — Do not use the lawn mower in damp or wet conditions or operate in the rain.
- Keep children away — Keep all bystanders, children, and pets at least 100 ft. away. Stop the mower and turn off the machine if anyone enters the area. 
- Tragic accidents can occur if the operator is not alert to the presence of children. Children are often attracted to the machine and the mowing activity. **NEVER** assume that children will remain where you last saw them.
 - Keep children out of the mowing area and in the watchful care of a responsible adult other than the operator.




- Be alert; stop and turn machine off if a child enters the area.
- Before and while backing, maneuvering in reverse, or turning around, look behind and down for small children, bystanders, and pets.
- Never carry children, even with the blades shut off. They may fall off and be seriously injured or interfere with safe machine operation. Children who have been given rides in the past may suddenly appear in the mowing area for another ride and be run over or backed over by the machine. 
- Never allow children to operate the machine.

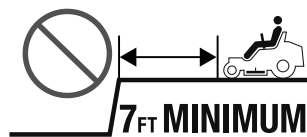
WARNING:

CHILDREN CAN BE KILLED OR SERIOUSLY INJURED BY THIS EQUIPMENT. The American Academy of Pediatrics recommends that children be a minimum of 16 years of age before operating a riding lawn mower.

- Use extreme care when approaching blind corners, shrubs, trees, or other objects that may block your view of a child.
- Wear heavy, long pants, long sleeves, gloves, and protective footwear that will protect your feet and improve your footing on slippery surfaces. Do not wear loose-fitting clothing, short pants, sandals, or go barefoot. Do not wear jewelry of any kind. They can be caught in moving parts.
- Never leave a running machine unattended. Always turn off blades, set parking brake, stop motor, and remove key before dismounting.
- Check brake operation before each use and frequently during use. Adjust and service as required.
- Keep hands and feet away from cutting area, which is located under the mower deck and inside the side discharge chute. Keep clear of the side discharge chute opening at all times. Do not reach under the mower deck.
- Operate the lawn mower only in daylight or good artificial light.
- Use safety glasses — Always wear eye protection with side shields marked to comply with ANSI Z87.1. Use face mask if operation is dusty.
- Use the right appliance — Do not use the lawn mower for any job except that for which it is intended.
- Do not force the lawn mower — It will do the job better and safer at the rate for which it was designed.
- Do not charge lawn mower in rain, or in wet locations.
- Stay alert — Watch what you are doing and use common sense when operating the lawn mower. Do not operate the mower while tired, upset, or under the influence of drugs, alcohol, or medication. A moment of inattention while operating the lawn mower may result in serious personal injury.
- Maintain lawn mower with care — Keep machine in good working condition. Keep blades sharp and guards in place and in working order. To prevent serious personal injury, damage to the mower, and for best performance, replace damaged or unevenly worn blades.
- The bagger assembly (if equipped) is subject to deterioration and wear and should be checked each time the mower is used. If replacement is needed, make sure the new bagger meets original manufacturer's recommendations and specifications.
- Always park on level ground.

IMPORTANT SAFETY INSTRUCTIONS

- Check all nuts, bolts, and screws before each use for proper tightness to be sure the equipment is in safe working condition. Mower blades are sharp. Wrap the blades or wear gloves, and use extra caution when servicing them.
- Replace blade if it is bent, cracked, or damaged in any way. An unbalanced blade causes vibration that could damage the motor drive unit or cause personal injury. Sharpen a dull blade equally at each end to maintain the balance. Clean the blade thoroughly and check its balance by supporting it horizontally on a thin nail through its center hole. The nail should be in a horizontal position. If either end of the blade rotates downward, remove some metal from the heavy lower end until the blade is balanced. It is balanced when neither end drops.
- The side discharge chute is a spring-loaded guard that covers the side discharge opening on the mower deck and deflects grass clippings and debris away from the operator. Always ensure that the motor is off and the blades have stopped moving before inspecting, moving, cleaning, or performing maintenance on the side discharge chute.
- Always use safety protective devices. Do not operate the mower without the side discharge chute in place and working properly. Mulch cover should be correctly installed and working properly during mulching operation and bagger kit should be correctly installed and working properly during bagging operation.
- Never interfere with the intended function of a safety device or reduce the protection provided by a safety device. Check their proper operation regularly.
- Never tamper with safety devices. Check for proper operation regularly.
- Follow manufacturer's instructions for proper operation and installation of accessories. Only use accessories approved by the manufacturer. The use of other accessories may increase the risk of injury.
- Clear the work area before each use. Remove all objects such as rocks, sticks, metal, wire, bones, toys, fallen tree limbs, tree nuts, or other objects which can be thrown by the blade.
- Objects struck by the lawn mower blades can cause severe injuries to persons. The lawn should always be carefully examined and cleared of all objects prior to each mowing.
- If the lawn mower strikes a foreign object, follow these steps:
 - Stop the lawn mower, set the parking brake, wait until the blades come to a complete stop, and then remove start key.
 - Thoroughly inspect the mower for any damage.
 - Replace the blade if it is damaged in any way. Repair any damage before restarting and continuing to operate the mower.
- Slopes are a major factor related to loss of control and tip-over accidents, which can result in severe injury or death. Operation on all slopes requires extra caution. If you cannot back up the slope or if you feel uneasy on it, do not mow it. Do not reverse down a slope. Never use on steep slopes greater than 15°. 
- Never attempt to ride on a steep slope or mow a slope that is greater than 15°. To determine the angle of your slope, use the **Slope Guide** at the back of this manual. For your safety, measure any slope before using the machine on the sloped area. Use a slope measuring device in addition to the slope gauge at the back of this manual.
- Mow up and down slopes, not across.
- Watch for holes, ruts, bumps, rocks, or other hidden objects. Uneven terrain could overturn the machine. Tall grass can hide obstacles.
- Use a slow speed so you will not have to stop suddenly or accidentally accelerate while on a slope. Rapid acceleration or braking could cause the front of the machine to lift and roll over resulting in serious personal injury or death. Avoid uphill starts.
- Do not mow on wet grass or unstable surfaces. Tires may lose traction and you may lose control.
- Always keep the joystick in the forward position when going down slopes. Do not move to neutral and coast downhill, which may cause you to lose control of the mower.
- Avoid starting, stopping, or turning on a slope. If the tires lose traction, disengage the blades and proceed slowly straight down the slope.
- Keep all movement on slopes slow and gradual. Do not make sudden changes in speed or direction, which could cause the machine to roll over.
- Use extra care while operating machine with baggers or other attachments; they can affect the stability of the machine. A heavy bagger could cause loss of control or overturn the machine. When using the bagger, never use on steep slopes greater than 10°.
- Do not try to stabilize the machine by putting your foot on the ground.
- Stay at least two mowing widths (7 feet) away from any ditches, drop-offs, or water. Front caster wheels can rotate when mower is stopped, even with the brake applied, and cause the mower to go over the edge or into the water and result in death or serious personal injury.



IMPORTANT SAFETY INSTRUCTIONS

- Never direct discharged material toward anyone. Plan your mowing pattern to avoid discharge of material toward bystanders, roads, sidewalks, windows, cars, and the like. Also, avoid discharging material against a wall or obstruction, which may cause the material to ricochet back toward the operator.
- Stop the blade when crossing gravel surfaces to avoid discharging gravel and rocks and drive the mower slowly and carefully to avoid loss of control.
- Use extra care when approaching blind corners, shrubs, trees, or other objects that may block your view.
- Never make any adjustments or repairs with the motor running and/or blades moving. Turn off power switch and remove key.
- Stop the motor, set the parking brake, wait until the blades come to a complete stop, and remove start key before unclogging the side discharge chute or opening. The cutting blades continue to rotate for a few seconds after the motor is shut off. Never place any part of the body in the blade area until you are sure the blades have stopped rotating.
- If the mower should start to vibrate abnormally, stop the motor and check immediately for the cause. Replace the blades if they are unevenly worn or damaged in any way. Vibration is generally a sign of a damaged mower blade.
- Disengage mower blades when not mowing.
- Service on the product and charger must be performed by qualified repair personnel only. Service or maintenance performed by unqualified personnel could result in injury to the user or damage to the product.
- Use only authorized replacement parts when servicing the product. Use identical replacement blades only. Use of unauthorized parts may create a risk of serious injury to the user or damage to the product.
- Maintain or replace safety instructions labels, as necessary.
- Remove start key — Remove start key from the mower before storing, servicing, or changing accessories such as blades. Such preventive safety measures reduce the risk of starting the mower accidentally.
- Stop the unit and remove the start key when not in use. Transport the unit with the motor stopped and the start key removed from the mower.
- Battery tools do not have to be plugged into an electrical outlet; therefore, they are always in operating condition. Be aware of possible hazards when not using your battery tool or when changing accessories. Following this rule will reduce the risk of electric shock, fire, or serious personal injury.
- Do not use battery-operated mower in rain.
- Remove the start key before servicing, cleaning, or removing material from the gardening appliance.
- Store idle lawn mower indoors — When not in use, mower should be stored indoors in a dry, locked place out of the reach of children. The start key should also be removed and stored in a separate location out of the reach of children.
- Follow instructions for changing accessories.
- Only allow responsible adults, who are trained, familiar with and understand the instructions, and are physically capable to operate this machine.
- Never carry passengers.
- Never operate machine in a closed area.
- Do not mow in reverse unless absolutely necessary. Always look down and behind before and while backing.
- Slow down before turning.
- Watch for traffic when operating near or crossing roadways.
- Mowers with rear-wheel drive require more traction than front-wheel-drive mowers. Use extreme caution when mowing on slopes or when crossing wet surfaces to prevent possible tipover.
- While mowing, keep a distance of at least 7 feet from drop-offs, embankments, water, and marsh-like surfaces.
- Use extra care when loading or unloading the machine into a trailer; press the low speed drive button and carefully move the joystick as needed to control the speed. Always back onto the trailer when loading. When loading or unloading the mower, do not exceed the maximum recommended operation angle of 15°.
- Use full width ramps for loading and unloading a machine for transport.
- Data indicates operators age 60 years and above are involved in a large percentage of riding mower related injuries. These operators should evaluate their ability to operate the riding mower safely enough to protect themselves and others from serious injury.
- Keep machine free of grass, leaves, or other debris build up. Allow machine to cool before storing.
- **Never use a hose, water, or any liquids to clean or rinse off the lawn mower.** Corrosive liquids, water, fertilizers, and chemicals used to treat lawns can enter the lawn mower and/or battery compartment and damage electronic components and/or the battery pack, which can result in a short circuit, increased risk of fire, and serious personal injury. Remove any buildup of grass and leaves on or around the mower housing and/or underneath the mower deck. An exception to clean the underside of the mower deck may be made when using a Ryobi accessory designed for this purpose, in accordance with the accessory instructions. Wipe the mower clean with a dry cloth occasionally.

IMPORTANT SAFETY INSTRUCTIONS

- Stop the motor, wait until blades come to a complete stop, and remove the start key before cleaning the lawn mower, removing the bagger, or removing the mulch cover.

ADDITIONAL SAFETY RULES FOR BATTERIES

- **Do not use a BATTERY pack or tool that is damaged or modified.** Damaged or modified batteries may exhibit unpredictable behaviour resulting in fire, EXPLOSION or risk of injury.
- Do not dispose of the batteries in a fire. The batteries could explode. Check with local codes for possible special disposal instructions.
- Keep all metal objects like paper clips, coins, keys, nails, screws, or other small metal objects away from the battery and battery terminals that can make a connection from one terminal to another. Shorting the battery terminals together may cause serious burns or a fire.
- Exercise care in handling batteries in order not to short the battery with conducting materials such as rings, bracelets, and keys. The battery or conductor may overheat and cause burns.
- Under abusive conditions, liquid may be ejected from the battery; avoid contact. If contact accidentally occurs, flush with water. If liquid contacts eyes, additionally seek medical help. Liquid ejected from the battery may cause irritation or burns.
- Do not charge battery in an area of extreme heat or cold. Batteries will charge best at temperatures from 50°F to 100°F.
- Follow all charging instructions and do not charge the battery pack or appliance outside of the temperature range specified in the instructions. Charging improperly or at temperatures outside of the specified range may damage the battery and increase the risk of fire.
- Do not modify or attempt to repair the appliance or the battery pack (as applicable) except as indicated in the instructions for use and care.
- Do not expose the battery pack or appliance to fire or excessive temperature. Exposure to fire or temperature above 265°F may cause explosion.
- Do not store lawnmower in locations where the temperature is less than -22°F or more than 120°F. If the lawn mower is stored at temperatures below 50°F or above 100°F, remove the batteries and store separately according to the temperature range recommended in the battery manual. Do not store mower or batteries outside or in vehicles.
- Do not use lawnmower in locations where the temperature is less than 15°F or more than 104°F.
- Only use RYOBI Electric Riding Lawn Mower 80 volt and 40V lithium batteries.
- Use this product only with batteries and chargers listed in tool/appliance/battery pack/charger correlation supplements 998000922 for 80V and 988000-842 for 40V.




- Recharge only with the charger specified by the manufacturer. A charger that is suitable for one type of battery pack may create a risk of fire when used with another battery pack.

ADDITIONAL SAFETY RULES FOR TOWING











- Do not tow a load that exceeds $\frac{1}{2}$ the mower weight + $\frac{1}{2}$ the operator weight. Never exceed 50 lbs (22 kg) tongue weight.
- Use common sense when towing. Too heavy of a load while on a slope is dangerous. Tires can lose traction with the ground and cause you to lose control of your mower. When towing, never use on steep slopes greater than 5°.
- Follow manufacturer's recommendations for wheel weights or counterweights.
- Do not put the mower into neutral when on a decline. Try not to coast when towing.
- Only use hitches that are approved for use with your specific mower. Do not attach towed equipment except at the approved hitch point.
- Never allow children or others in or on towed equipment.
- Stopping distance increases with speed and weight of load being towed. Travel slowly and allow plenty of time and distance to stop.
- Do not turn sharply when towing. Make wide turns to avoid jack-knifing. Use additional caution when turning or operating under adverse surface conditions. Use care when reversing.
- Do not attempt to pull or dislodge stationary objects with the tow hitch. The machine may pivot about the rear drive wheels and lift upwards, resulting in serious personal injury or death.
- Do not use a chain, cable, or rope to pull accessories not intended for towing. Only tow accessories that include a tow attachment.
- Use low speed when towing.

SYMBOLS

The following signal words and meanings are intended to explain the levels of risk associated with this product.

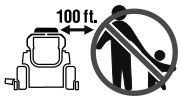




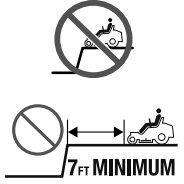


SYMBOL	SIGNAL	MEANING
	DANGER:	Indicates a hazardous situation, which, if not avoided, will result in death or serious injury.
	WARNING:	Indicates a hazardous situation, which, if not avoided, could result in death or serious injury.
	CAUTION:	Indicates a hazardous situation, that, if not avoided, may result in minor or moderate injury.
	NOTICE:	(Without Safety Alert Symbol) Indicates information considered important, but not related to a potential injury (e.g. messages relating to property damage).

Some of the following symbols may be used on this product. Please study them and learn their meaning. Proper interpretation of these symbols will allow you to operate the product better and safer.

SYMBOL	NAME	DESIGNATION/EXPLANATION
	Safety Alert	Indicates a potential personal injury hazard.
	Read Operator's Manual	To reduce the risk of injury, user must read and understand operator's manual before using this product.
	Eye Protection	Always wear eye protection with side shields marked to comply with ANSI Z87.1.
	Keep Children Away	Keep children out of the mowing area and in the watchful care of a responsible adult other than the operator.
	Wet Conditions Alert	Risk of fire and burns. Do not expose battery, battery compartment, or electronic components to rain, water, or liquids. Do not charge battery or expose mower to rain or damp locations. Do not operate on wet ground.
	Electric Shock	Failure to use in dry conditions and to observe safe practices can result in electric shock.
	Electricity	This product is considered to have hazardous voltage.
	Keep Hands and Feet Away	Keep hands and feet away from blade and cutting area.
	No Reach	Do not reach hands or feet under mower deck.
	No Slope	Do not operate on steep slopes or inclines greater than 15°. Mow up and down the face of slopes, never across.

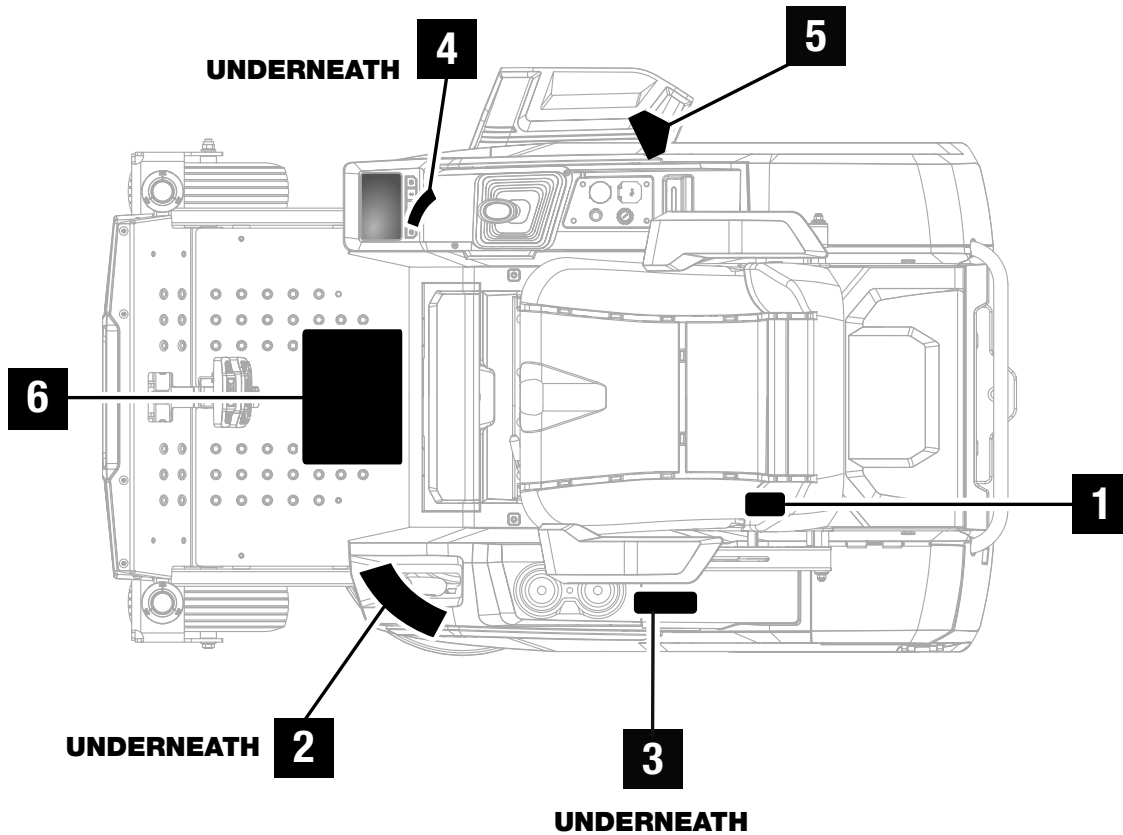
SYMBOLS

Some of the following symbols may be used on this product. Please study them and learn their meaning. Proper interpretation of these symbols will allow you to operate the product better and safer.

SYMBOL	NAME	DESIGNATION/EXPLANATION
	Keep Children and Bystanders Away	Keep all children, bystanders, and animals at least 100 ft. away.
	Ricochet	Thrown objects can ricochet and result in personal injury or property damage.
	Thrown Objects	Thrown objects can ricochet and result in personal injury or property damage. Never direct discharged material toward anyone.
	No Passengers	Never carry children or anyone, even when the blades are off.
	Back With Caution	Always look down and behind you before and when maneuvering in reverse or turning around. Make sure children, bystanders, and pets are clear of the area.
	Keep Away from Ditches, Drop-offs, and Water	Stay at least two mowing widths (7 feet) away from any ditches, drop-offs, or water. Front caster wheels can rotate when mower is stopped, even with brake applied, and cause mower to go over the edge or into the water.
	Recycle Symbol	This product uses lithium-ion (Li-ion) batteries. Local, state, or federal laws may prohibit disposal of batteries in ordinary trash. Consult your local waste authority for information regarding available recycling and/or disposal options.
	Direct Current	Type or a characteristic of current
V	Volts	Voltage
A	Amperes	Current
Hz	Hertz	Frequency (cycles per second)
W	Watt	Power
hrs	Hours	Time

SAFETY LABELS

The following labels are found on the product. For your safety, please review and understand all of the labels before starting the product. If any of the labels come off the unit or become hard to read, contact an authorized service center for replacement.



1

RYOBI RYRM8001 LITHIUM ZERO TURN MOWER
 099269009 TONDEUSE AU LITHIUM À BRAQUAGE ZÉRO
 PODADORA LITIO DE GIRO CERO

80V --- / 40V ---
 30 in. (76.2 cm) Cutting Path / Chemin de coupe / Trayectoria de corte

Use only with batteries listed in operator's manual or 80V OP801720 or 40V OP40125. For use only with 80V OP80RM charger. / Utiliser seulement avec les piles spécifiées dans le manuel d'utilisation ou OP801720 80V ou OP40125 40V. Utiliser seulement l'outil avec le chargeur OP80RM 80V. / Utilizar sólo con el baterías enumerados en el manual del operador o 80V OP801720 o 40V OP40125. Para ser usada con el cargador 80V OP80RM.

TTI Outdoor Power Equipment, Inc.
 P.O. Box 1288, Anderson, SC 29622
 1-800-525-2579 • www.ryobitools.com

COLD TIRE PRESSURE	
Front Tire	Rear Tire
19 PSI	18 PSI
131 kPa	124.1 kPa

Made in China / Fabriqué en Chine / Fabricado en China

2

⚠ DANGER

Risk of injury. Keep hands and feet away from rotating blades. Make sure mower and blades are stopped before placing hands or feet near blades. Do not operate mower unless chute deflector or entire grass catcher is in its proper place. Do not put hands or feet under or into mower when motor is running. Before mowing, clear area of objects that may be thrown by the blade.

Etiquetar a espelital provisto. Llévalo a 1-800-525-2579 para su sustitución.

Assemble chute deflector to this unit before operating.

3

⚠ DANGER **⚠ DANGER** **⚠ PELIGRO**

SEVER HAZARD! Spring loaded mechanism. Keep hands and fingers away. **RISQUE COUPÉ !** Mécanisme à ressort. Garder les mains et les doigts à l'écart. **¡SEVER PELIGRO!** Mecanismo cargado por resorte. Mantenga manos y dedos alejados.

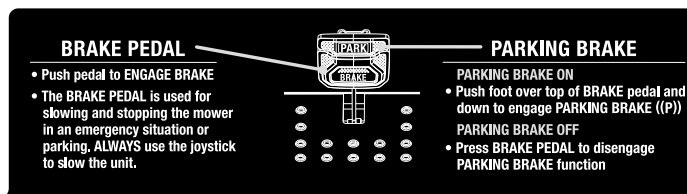
4

SAFETY LABELS

5



6



⚠ DANGER

ROTATING BLADES AND TIP OVER/ROLL OVER CAUSE DEATH OR SERIOUS INJURY - FOLLOW ALL OPERATOR'S INSTRUCTIONS

- Read operator's manual.
- Do not operate within 100 ft. of children, bystanders, or animals.
- Never carry children or anyone even when the blades are off.
- Mower can be operated in reverse and turned around with blades engaged.
- Always look down and behind you before and when maneuvering in reverse or turning around.
- Mowing in reverse is not recommended.
- Go up and down slopes, not across.
- Avoid steep slopes greater than 15° and wet slopes.
- If mower stops while going uphill, stop blades, look behind you, and back down slowly.
- Do not operate mower where it could slip or tip.
- Avoid sudden turns.
- Stay at least two mowing widths (7 feet) away from any ditches, drop-offs, or water. Front caster wheels can rotate when mower is stopped, even with brake applied, and cause mower to go over the edge or into the water.

⚠ WARNING

- Keep all safety devices, guards, shields, and switches in place and in working order.
- Know location and function of all controls.
- Before leaving operator's position, disengage blades, engage parking brake, shut off, and remove key.
- Keep hands and feet away from rotating parts.
- Remove any objects from the mowing area that can be thrown by the blades.
- Store idle ride on mower indoors.

Do not expose battery, battery compartment, or electronic components to rain, water, or liquids. Do not charge battery or expose mower to rain or damp locations.

Etiquetar a español provisto. Llame a 1-800-525-2579 para su sustitución.

NOTE: Your mower labels may feature additional translations, or separate translated versions of the labels may be included. Translated labels can be installed over the labels currently on the mower. For best adhesion, always clean and dry mounting surface before installing.

FEATURES

PRODUCT SPECIFICATIONS

Motor..... 80 Volt DC
 Height Adjustments..... 1-1/2 in. to 4-1/2 in.
 Wheel Size..... 13 in. front, 16 in. rear
 Deck Size 30 in.
 Turning Radius..... 0

Max. Speed: High Speed Drive..... 7 MPH
 Medium Speed Drive 6 MPH
 Low Speed Drive..... 4 MPH
 Reverse 4 MPH
 Cold Tire Pressure 19 PSI Front, 18 PSI Rear
 Charger Input..... 120 V, AC only, 60 Hz
 Charge Rate 14A

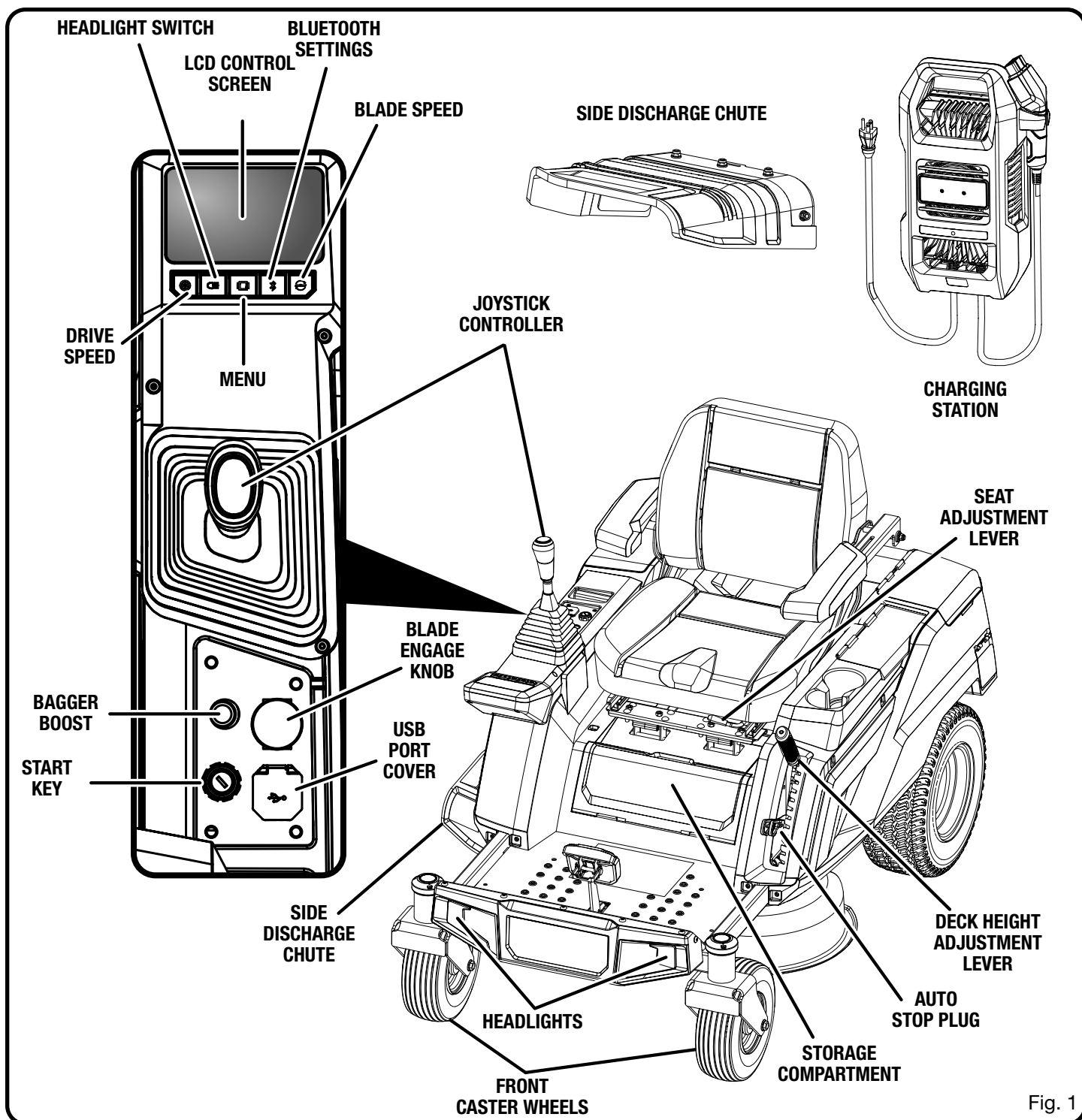


Fig. 1

FEATURES

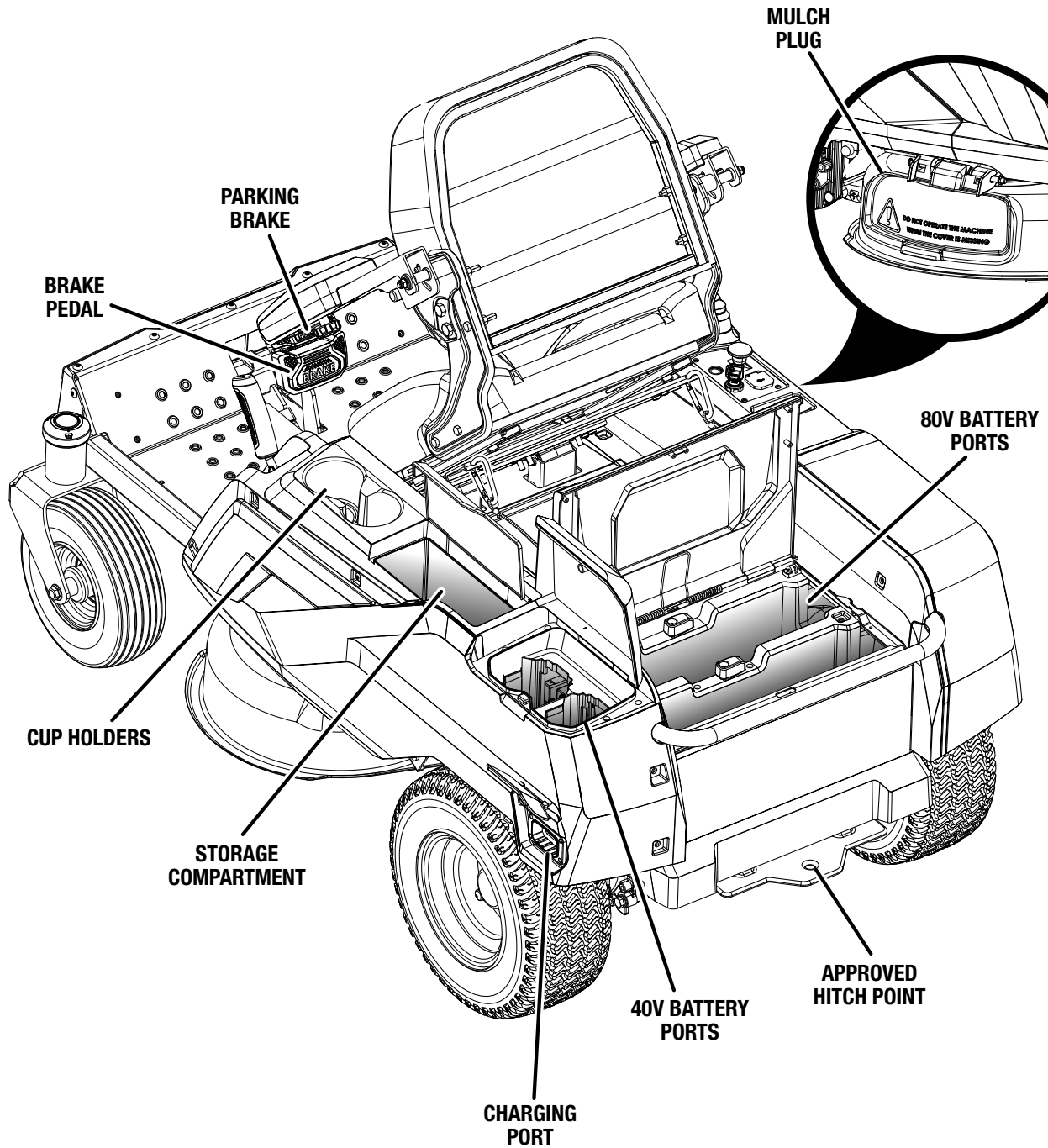


Fig. 2

FEATURES

KNOW YOUR LAWN MOWER

See Figure 1.

The safe use of this product requires an understanding of the information on the product and in this operator's manual as well as a knowledge of the project you are attempting. Before use of this product, familiarize yourself with all operating features and safety rules.

ADJUSTABLE ARM RESTS

Two arm rests provide support for your arms and added comfort while you are mowing.

AUTO STOP PLUG

The auto stop plug can be used to maintain your preferred deck height cutting position or as a deck lift lockout when removing the cutting deck. See the Maintenance section for more information on removing the cutting deck.

BLADE ENGAGE KNOB

Pull the blade engage knob up to activate the mower's cutting blades. Push the knob down to stop the cutting blades.

BLADE SPEED BUTTON

Press the blade speed button to increase or decrease the speed of the blades. Prolong battery run time when the cutting load requirement is low.

BRAKE PEDAL

The brake pedal is used for stopping the mower in an emergency situation or when parking.

CHARGER

The mower's charger has a key hole hanging feature for convenient, space saving storage. When hanging by the keyhole slots, use at least one additional screw in the hole in the mounting flange to secure in place. Always mount in such a way that the charger's LED status light is visible while charging.

DECK HEIGHT ADJUSTMENT LEVER

The deck height adjustment lever is used to raise or lower the cutting deck. Set the auto stop plug at your normally desired cutting height for ease of use when mowing.

DRIVE SPEED BUTTON

Press the drive speed button to limit the speed of the mower when you're operating in tight spaces or on slopes. This setting is also useful for inexperienced users when they are first learning to operate the mower.

HEADLIGHT BUTTON

Turn the headlights on and off using the headlight button.

I-DRIVE JOYSTICK

The iDrive joystick easily allows the user to operate the mower with only one hand. The software is designed to correct gradual wheel turns to help eliminate divots in the lawn.

LCD SCREEN

The LCD screen monitors and activates many of the features on the mower.

PARKING BRAKE

Use the parking brake to lock the mower in the braked position.

POWER SWITCH WITH START KEY

The power switch is used to turn the mower on and off. The start key must be inserted before the switch can be operated. When the key is in the accessory position, the power switch is also used to power optional manufacturer-approved mower accessories.

SEAT ADJUSTMENT LEVER

Use the seat adjustment lever to move the seat to the desired position.

STORAGE COMPARTMENTS

Two storage areas offer a convenient place to store your cell phone.

USB PORT

The USB charging port provides charging power of 5 volts DC at up to 2 amps for your cell phone, MP3 player, or other USB devices. Consult the owner's manual for your device for specific charging requirements.

Connect one end of a USB cable (not provided) to your device and the other end to the USB charging port on the mower, to begin charging your device.

NOTICE:

Attempting to charge devices rated more than 2 amps could damage the USB charging port and/or the mower. Always close the USB cover when not in use to prevent debris from becoming trapped in port.

NOTE: The USB port is only powered when the start key is in the ON position.

WARNING:

Never use headphones or any electronic device, such as a smart phone or tablet, while operating the mower. Distracted operation can result in an accident that could result in death or serious personal injury to the operator or a bystander.

OPERATION

WARNING:

Do not allow familiarity with products to make you careless. Remember that a careless fraction of a second is sufficient to inflict serious injury.

WARNING:

Always wear eye protection with side shields marked to comply with ANSI Z87.1. Failure to do so could result in objects being thrown into your eyes resulting in possible serious injury.

WARNING:

Always turn off mower, make sure blades have stopped moving, and remove the start key from the mower when you are assembling parts, making adjustments, cleaning, or when not in use. This will prevent accidental starting that could cause serious personal injury.

WARNING:

Always inspect mower for missing or damaged parts and blades for damage or uneven or excessive wear prior to use. Use of the mower with damaged or missing parts can result in serious personal injury.

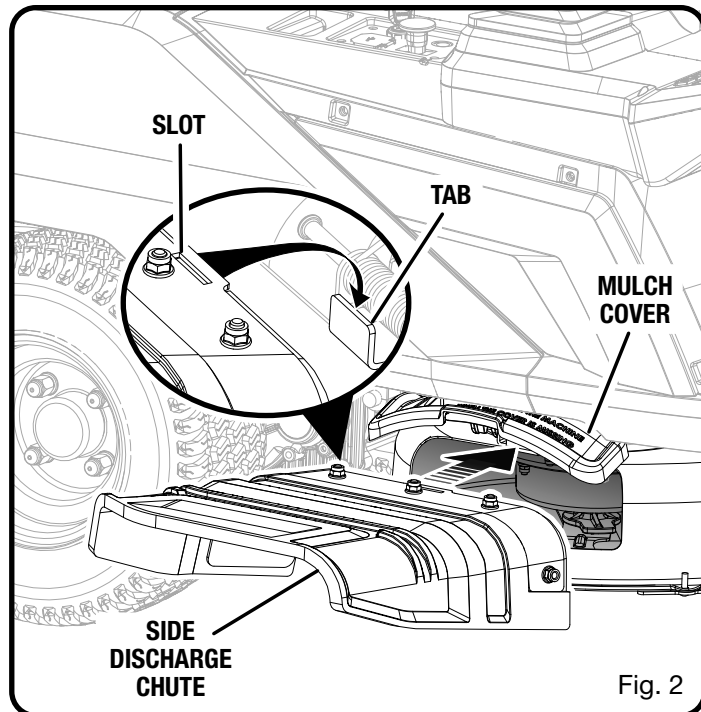
NOTICE:

Before each use, inspect the entire product for damaged, missing, or loose parts such as screws, nuts, bolts, caps, etc. Tighten securely all fasteners and caps and do not operate this product until all missing or damaged parts are replaced. Please contact customer service or an authorized service center for assistance.

APPLICATIONS

You may use this product for the purpose listed below:

- Mowing your lawn



INSTALLING THE SIDE DISCHARGE CHUTE

See Figure 2.

The mower comes prepared for mulching with the spring-loaded mulching cover already in place. If side discharge is desired, install the side discharge chute.

- Remove start key and battery pack.
- Lift and hold the mulch cover.
- Insert the side discharge chute as shown, aligning the two notches with the tabs on each side of the mulch cover.
- Lower the mulch cover until the tabs are seated into the notches on the side discharge chute.
- Reinstall start key and battery pack when you are ready to mow.

OPERATION

SETTING THE PARKING BRAKE

See Figure 3.

To set the parking brake:

- Place the joystick in the neutral and locked position. (See **Learning to Drive the Mower** later in the *Operation* section.)
- Fully depress and hold the brake pedal.
- Press your foot forward and fully depress the parking brake with your toes.
- Release the brake pedal.
- **To release the parking brake:** depress and release the brake pedal.

⚠ WARNING:

Never leave the mower unattended when the motor is running or with the key in the power switch. Verify that the parking brake is set and the key has been removed. Failure to set the parking brake could cause the mower to move, and leaving the key could allow unauthorized use that could result in serious personal injury.

ADJUSTING THE SEAT

See Figure 4.

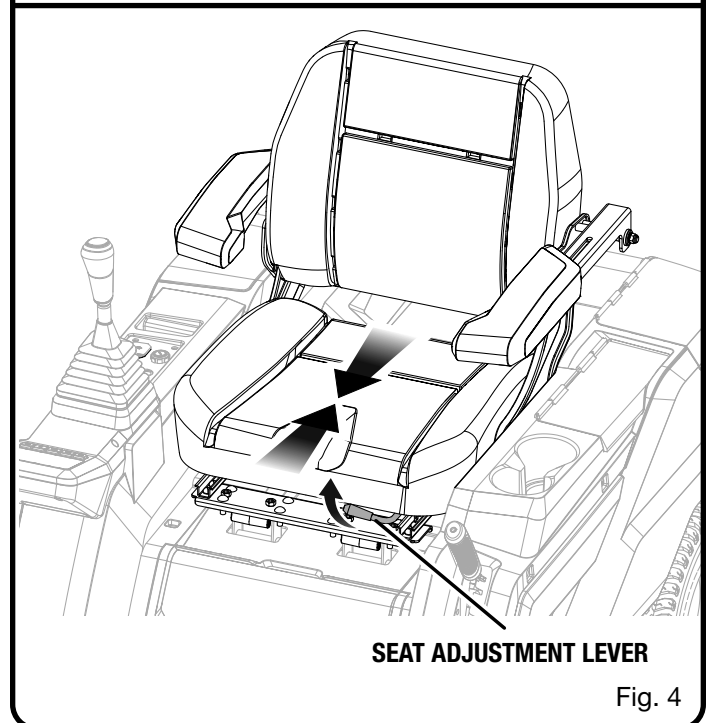
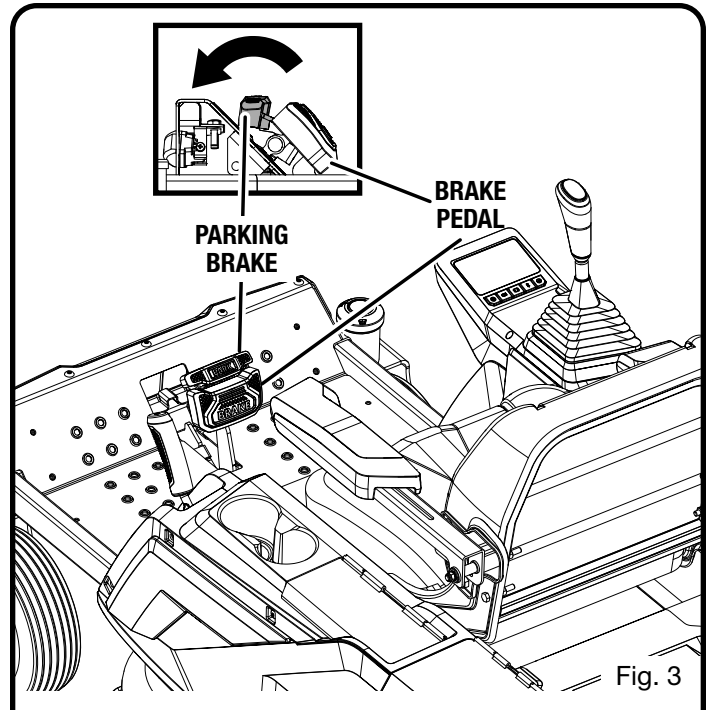
Adjust the seat position forward or backward to ensure you are able to make firm contact with the brake pedal before operating the mower.

To move the seat forward or backward:

- Turn the key to the OFF position and set the parking brake.
- Sit down on seat and lift the seat adjustment lever.
- While lifting up the lever, slide the seat to the desired position.
- Release the lever and make sure the seat is locked in position before operating the mower.

⚠ WARNING:

Be sure the seat is locked into place before operating the mower. A seat that is not secure can cause the operator to shift and lose control of the mower and result in possible death or serious personal injury.



OPERATION

ADJUSTING THE ARMREST

See Figure 5.

Both armrests adjust up and down for the most comfortable operating height. The left armrest also adjusts forward and backward.

To move the armrests up and down:

- Turn the key to the OFF position and set the parking brake.
- Remove the two bolts as shown.
- Raise or lower the armrest to the desired height making sure both bolt holes are still in alignment with the holes in the seat frame.
- Reinstall bolts and tighten securely.

To move the left armrest forward or backward:

- Turn the key to the OFF position and set the parking brake.
- Loosen the knob and adjust the armrest to the desired position.
- Tighten the knob firmly to secure the armrest in place.

WARNING:

Be sure the armrests are locked into place before operating the mower. An armrest that is not secure can cause the operator to shift and lose control of the mower and result in possible death or serious personal injury.

SETTING THE CUTTING DECK HEIGHT

See Figure 6.

Before using the mower, raise the deck height to the cutting position best suited for your lawn.

NOTE: To prevent scalping the lawn when encountering high spots, the cutting deck wheels should be positioned approximately 1/2 in. off the ground when the mower is at the desired cutting height. When shipped, the cutting deck wheels are set to the 1.5 in. position. Depending on your desired cutting height, you may need to change the position of the cutting deck wheels. To do so, refer to **Adjusting Cutting Deck Wheels** in the *Maintenance* section of this manual.

■ To adjust the cutting deck height:

- Stop the mower and disengage blades.
- Turn key to OFF position and set the parking brake.
- To raise the cutting deck, grasp the deck height adjustment lever, push left to disengage from slot, move toward the back of the mower, then push right into slot to secure.
- To lower the cutting deck, grasp the deck height adjustment lever, push left to disengage from slot, move toward the front of the mower, then push right into slot to secure.

CAUTION:

Hold the deck height adjustment lever firmly when setting the deck height and only release when it is secure in the desired slot. Quickly letting go of the lever may create a pinching or pulling hazard to the operator's hand.

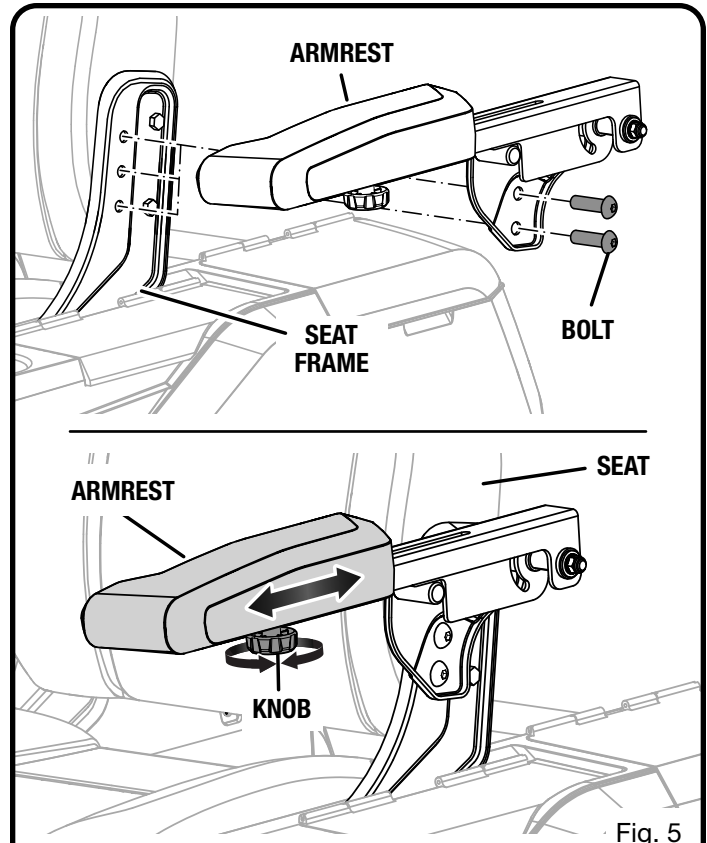


Fig. 5

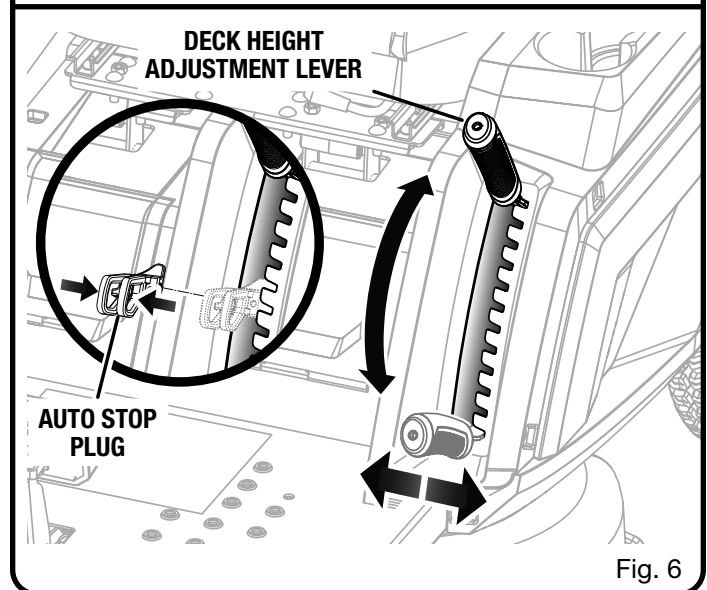


Fig. 6

NOTE: Once you have determined the correct cutting height for your lawn, install the auto stop plug just below that position to easily return to the correct mowing height every time.

OPERATION

INSTALLING/REMOVING 40V BATTERIES

See Figure 7.

There are two additional 40 volt battery ports that can help extend the run time of the zero turn lawnmower. However, these additional batteries are not required to operate the zero turn mower.

NOTE: The zero turn mower will not operate on only 40 volt batteries. The unit must have operable 80 volt batteries to run the drive and blade motors.

- Open the battery ports located on each side of the mower.
- While depressing the battery latch, grasp the handle and raise the battery from the port.
- To install, align the raised ribs on the battery pack with grooves in the battery port and install the battery pack into the mower.
- Make sure the latch is securely locked into place.
- Repeat the steps for additional batteries if necessary.

⚠ WARNING:

Make sure the latch on the bottom of the battery packs snaps in place and the battery pack is fully seated and secure in the mower's battery port before beginning operation. Failure to securely seat the battery packs could cause the battery packs to fall out, resulting in serious personal injury.

For complete charging instructions, refer to the Operator's Manuals for your battery packs and charger models.

CHARGING THE MOWER

See Figure 8.

⚠ WARNING:

Only charge mower batteries indoors in a dry location. Do not charge battery or expose mower to rain or damp locations. Water and liquids can come in contact with mower components and the battery and damage connections and electronic components, which can result in a short circuit, increased risk of fire, and serious personal injury.

Mower batteries must be fully charged before first use. To verify mower batteries are fully charged, check the battery level indicator.

For best results:

- Do not charge in an area of extreme heat or cold.
- Never charge a frozen battery.
- Mount or place the charger in an area with adequate ventilation, ideally with the charger in a horizontal position with the cooling fins facing up.

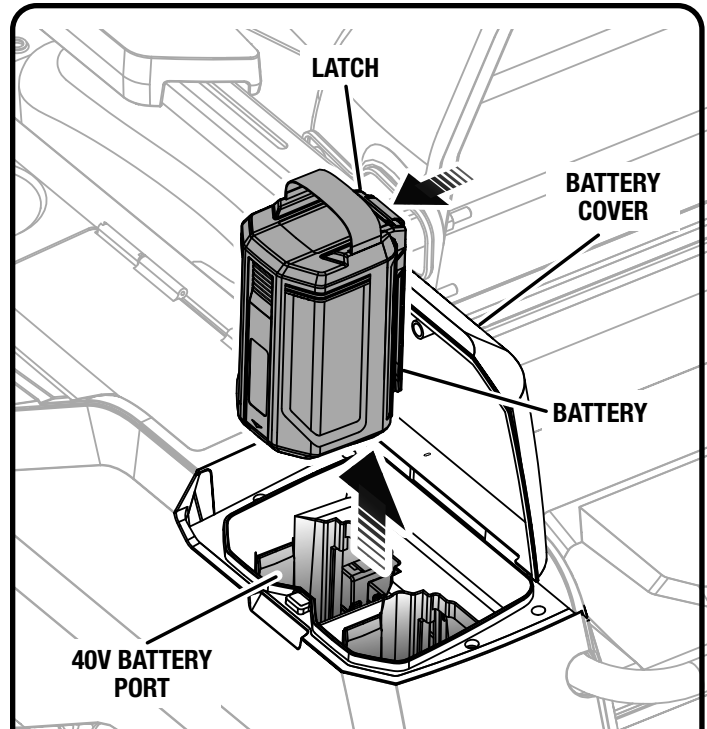


Fig. 7

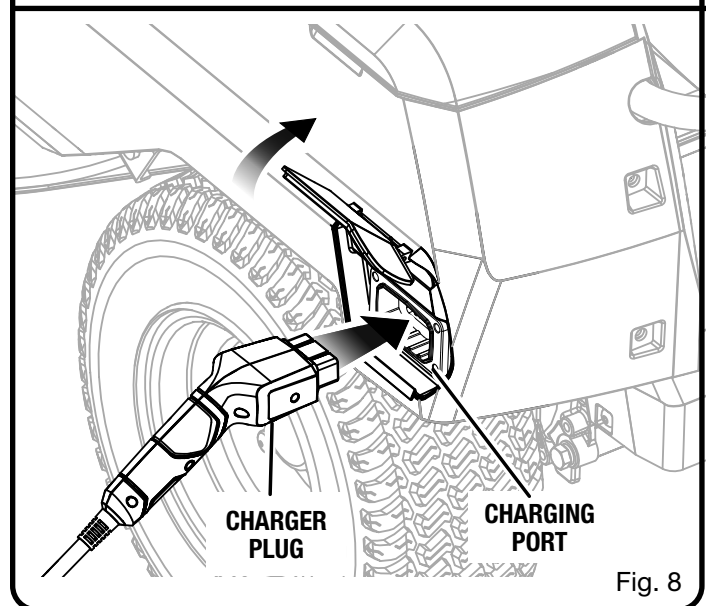


Fig. 8

OPERATION

To charge:

- Make sure both the charger and mower connections are clean and free of dirt or debris.
- Insert charger plug into charging port on mower, making sure it is properly connected.
- Connect charger to power supply using normal household current of 120 V, AC only, 60 Hz. The batteries should automatically begin to charge.

NOTE: The charger is equipped with a plug featuring a grounding pin and must be plugged into a matching standard three-prong outlet that has been properly installed and grounded in accordance with all local codes and ordinances. Do not use a two-prong outlet, adaptors, or modify the plug provided. If it will not fit the outlet, have the proper outlet installed by a qualified electrician.

- When powered and connected to the mower, the LED indicator on the charger will illuminate to indicate the charger's status. See the chart that follows to determine the meaning of the LED's display.
- When you are ready to mow, disconnect the charger from the power supply, then disconnect the charger from the mower.

NOTICE:

Always turn power switch to off position and remove key when charging mower and when mower is not in use.

NOTICE:

Always connect the mower to the charger when the unit is not in use. If it is not possible to leave the mower charger connected, make sure to charge the batteries fully at least once a month.

SAFETY INTERLOCK SYSTEM

See Figure 9.

This mower features a Safety Interlock System to protect the operator by shutting off the blades if the operator leaves the

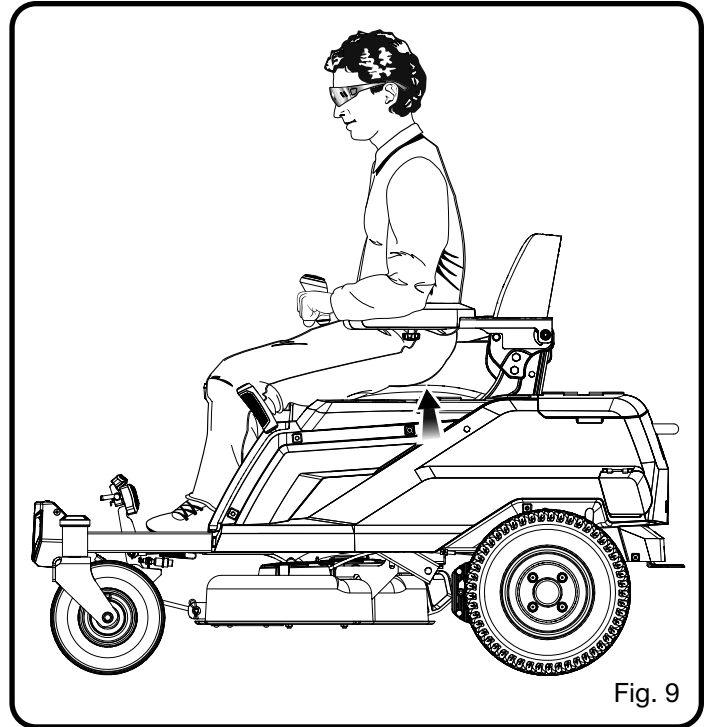


Fig. 9

seat with the blades running. Test the system before each use to be sure it is working correctly.

To test:

- Position the mower on a level surface.
- Set the parking brake.
- Make sure joystick is in the neutral position and the blade engage knob is down.
- Install start key and turn to ON position.
- Raise blade engage knob to activate blades.
- Briefly lift off the seat, but do not get off the mower.

The blades should shut off within 5 seconds. If they don't, contact customer service. Do not operate the mower until the safety interlock system has been repaired.

OPERATION

LEARNING TO DRIVE THE MOWER

See Figures 10 - 13.

Operating a zero turn mower is different than operating a standard riding mower. Zero turn mowers are rear-wheel drive and the wheels operate independently based on the position of the joystick. Before you begin to mow your grass, we strongly encourage you to find a large, level, and open area to practice operating the mower using the instructions that follow. Once you can comfortably and reliably perform each of these maneuvers, you are ready to begin mowing.

WARNING:

Clear the area of bystanders before operating the mower. If anyone enters the practice area, stop immediately and do not continue practicing until the bystanders leave the area.

WARNING:

Avoid sudden starts, stops, and turns, as well as excessive speed, especially when first learning to operate the mower. The mower can spin rapidly, which may cause you to lose control and could result in death, serious personal injury and/or damage to the mower. Engage the low speed drive function to limit the amount of speed available until you are fully capable of operating the mower in all situations.

The joystick is used to control the mower's direction, as well as starting and stopping.

WARNING:

Keep your hand on the joystick at all times when the mower is in motion. Do not release the joystick to slow or stop the mower. Releasing the joystick while the mower is in motion could lead to loss of control and result in death, serious personal injury, and/or damage to the mower.

- When entering and exiting the mower seat, the joystick controller should always be in the **neutral** position (centered and pushed down into the locked position).
- Once you are seated and ready to begin, press and release the brake pedal to make sure the parking brake is released.
- Be sure the joystick is the **neutral** position. This center position is used also to bring the mower to a gradual stop.
- Insert the start key and turn to the ON position.
- Select the desired drive speed (high, medium, or low) from the LCD screen.

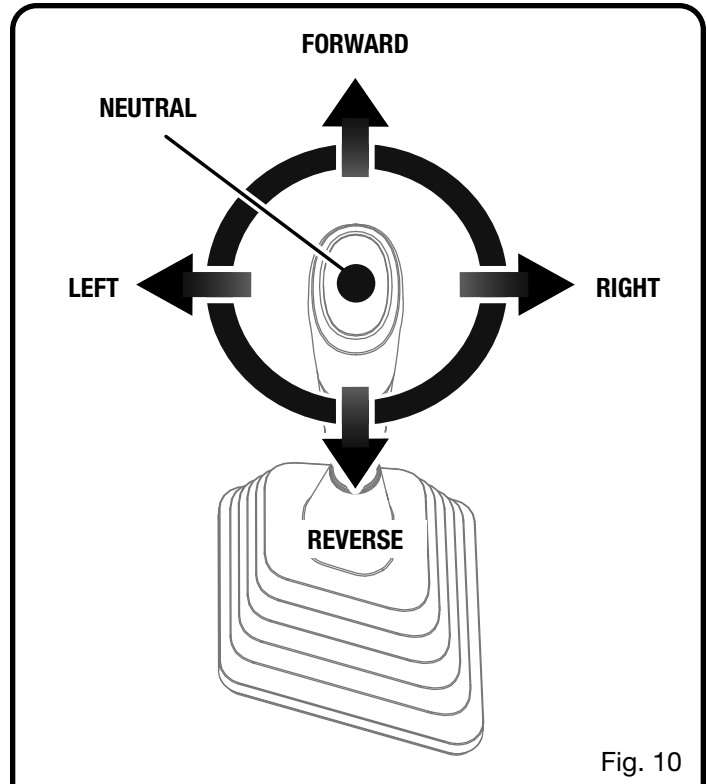


Fig. 10

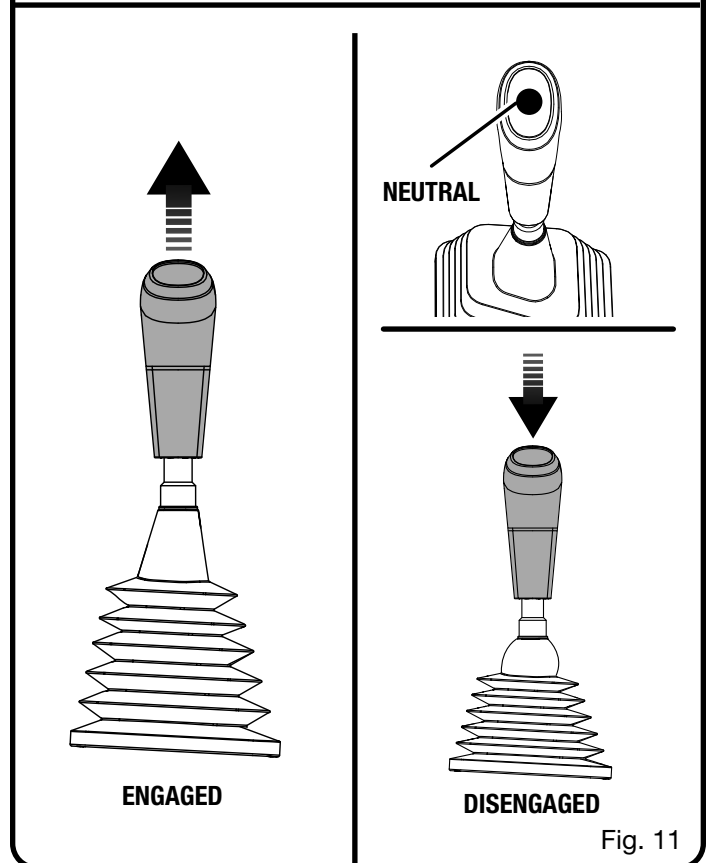
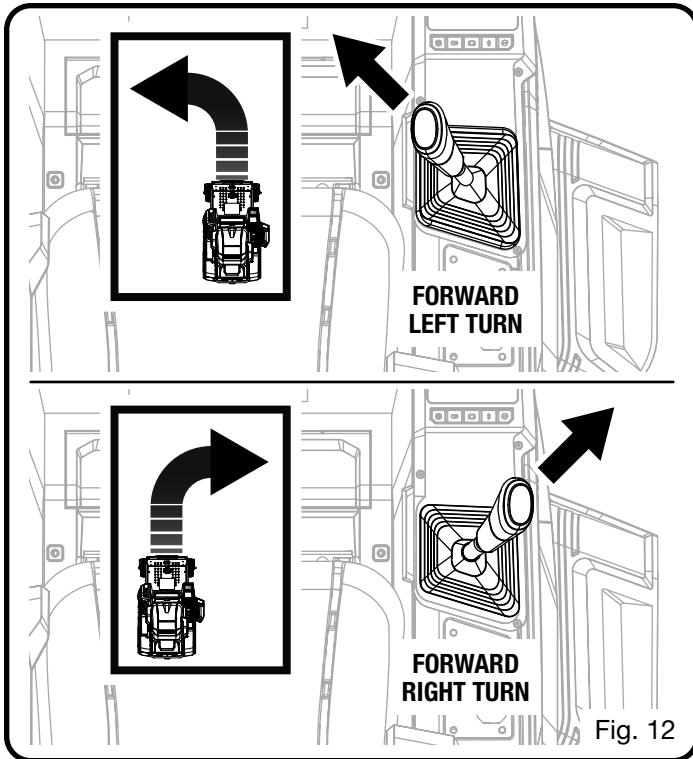


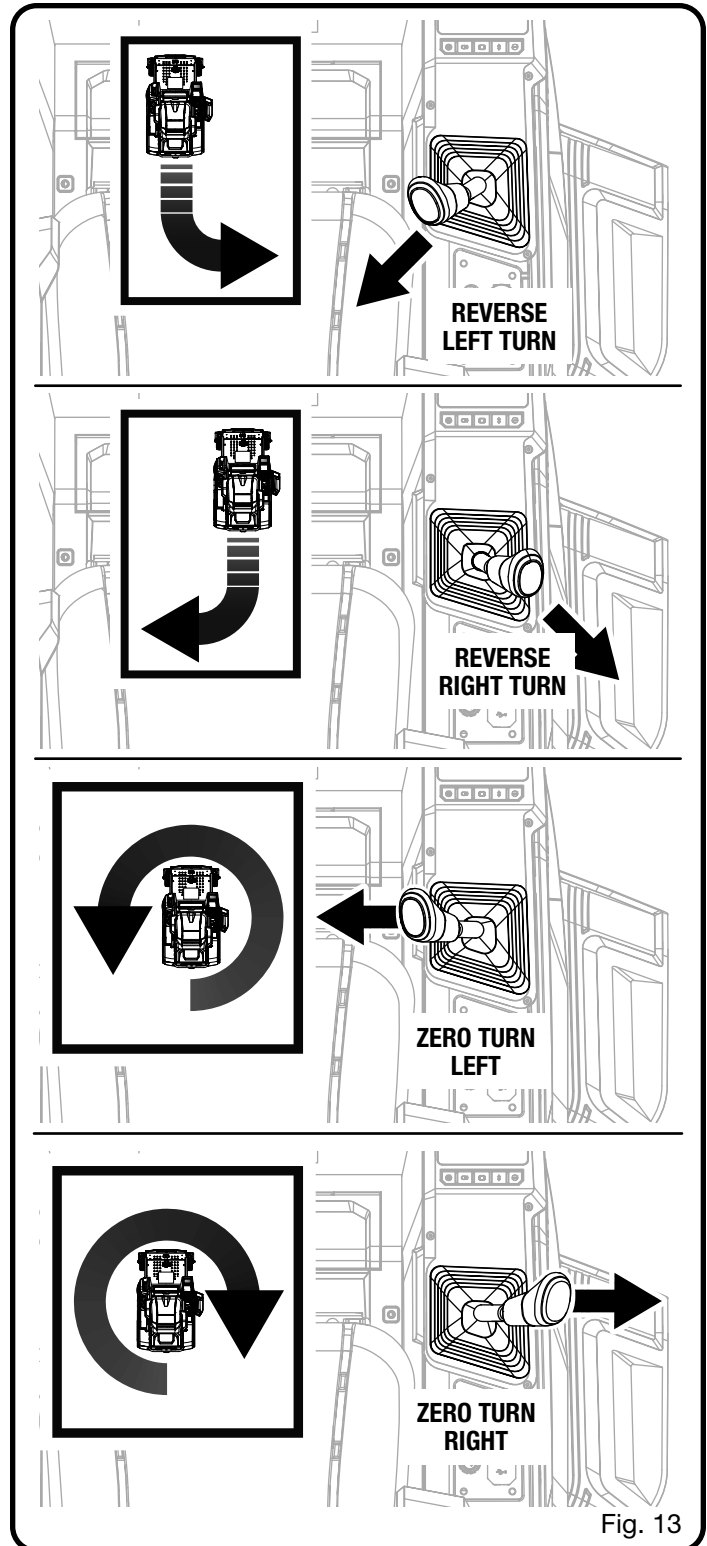
Fig. 11

OPERATION



- Lift the joystick to release it from the locked, neutral position. Push the joystick forward (past neutral) to drive the mower **forward** in a straight line. The farther forward the joystick is pushed, the faster the mower will go. To slow down, pull joystick back toward the neutral position. To stop, move the joystick back into the center neutral position.
- Pull the joystick backward (from neutral) to drive the mower in **reverse** in a straight line. The farther back the joystick is pulled, the faster the mower will go. To slow down, push the joystick back toward the neutral position. To stop, move the joystick back into the center, neutral position.
- To make turns, push the joystick in the desired turn direction. When driving forward or reverse, the angle of the joystick will control the direction of the turn.
- To make a zero turn, slow down, but make sure the rear wheels are still in motion. Then move the joystick directly to the right or left of neutral. This determines the direction of the rotation of the turn.

NOTE: Perform zero turns at a slow speed to help prevent damage to your lawn.



OPERATION

OPERATING THE MOWER

See Figures 14 - 15.

WARNING:

Clear the area of bystanders before operating the mower. If anyone enters the mowing area, stop immediately and do not return to mowing until the bystanders leave the area.

■ **Before starting the mower:**

- Ensure work area is clear of children, bystanders, and pets.
- Clear the work area of objects that may be thrown by the mower blades.
- Check brake operation.
- Check tire pressure.
- Check for loose fasteners.
- Check to make sure all guards are in place and working properly.
- Clean debris from mower.
- Test safety interlock system.
- Adjust seat to desired position.
- Verify battery charge level.

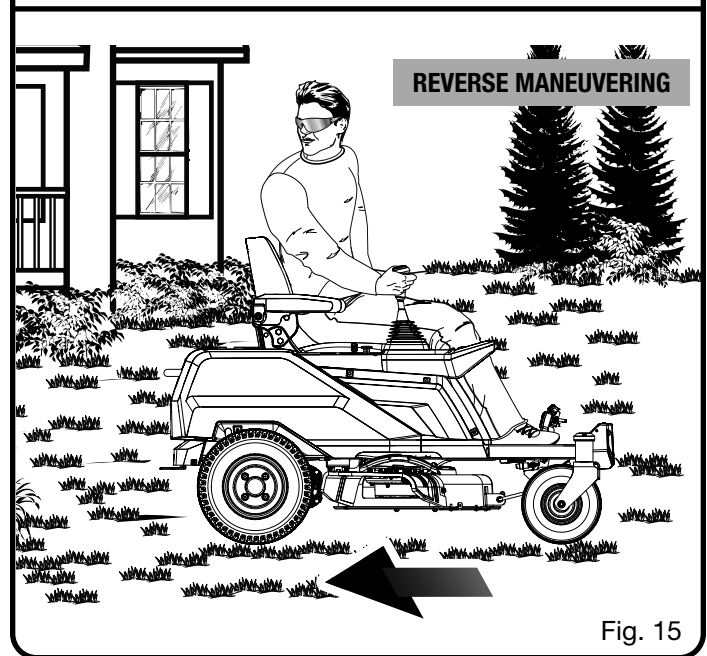
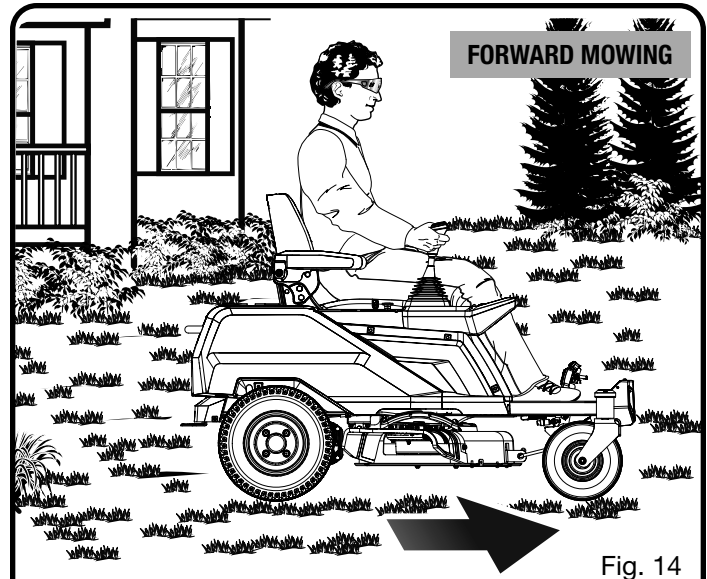
NOTICE:

When the level of battery charge reaches the red zone on the battery charge indicator, the blades will automatically shut off. Return immediately to recharge. Continuing to mow when the battery charge level is in the red zone can cause the mower to become stranded away from the charging area.

NOTE: If the mower becomes stranded away from the charger, it will be necessary to place the joystick in neutral and push the mower back to the charging location.

Mowing:

- Raise the mower deck to its highest position.
- Make sure the joystick is in the neutral position.
- Insert start key and turn to ON position.
- Release the parking brake.
- Engage the joystick and drive to the desired mowing location.
- Stop the mower, turn key to OFF position, and set the parking brake.
- Lower the cutting deck to desired position.
- Turn start key to ON position and release parking brake.
- Raise blade engage knob to activate blades and mow as desired.



DANGER:

Stay at least two mowing widths (7 feet) away from any ditches, drop-offs, or water. Front caster wheels can rotate when mower is stopped, even with the brake applied, and cause the mower to go over the edge or into the water and result in death or serious personal injury.



OPERATION

WARNING:

Use caution when crossing over gravel paths or driveways. Before crossing, disengage the blades and raise the cutting deck to the highest position to minimize the possibility of ricochet. Drive slowly to avoid loss of traction and control.

WARNING:

Do not mow in reverse unless absolutely necessary. Always look down and behind before and while backing to make sure no children, bystanders, or pets enter the mowing area. Remember that a careless fraction of a second is sufficient to inflict death or serious injury.

WARNING:

Do not attempt to change direction suddenly between forward and reverse while the mower is in motion. Always come to a complete stop before changing the mower direction to avoid loss of control and prevent death or serious personal injury.

When mowing is complete:

- Stop mower on a flat, level surface by placing the joystick in the neutral position. Do not stop the mower on a slope.
- Push the blade engage knob down to turn blades off.
- Place the joystick in the neutral position.
- Set the parking brake.
- Turn the start key OFF.
- Remove the start key if leaving the mower unattended, even if just for a brief period.

WARNING:

If the mower emits a beeping noise after you leave the seat, verify that the parking brake is set and the key has been removed. Failure to set the parking brake could cause the mower to move, and leaving the key could allow unauthorized use that could result in serious personal injury.

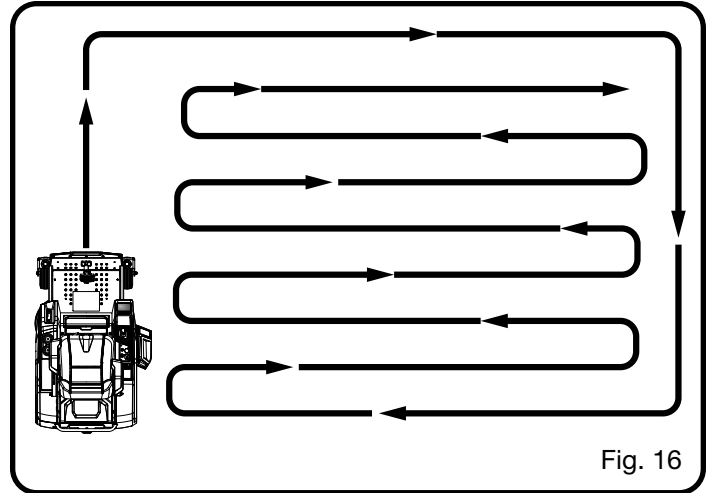


Fig. 16

MOWING TIPS

See Figure 16.

- Keep mower blades sharp.
- Make sure the lawn is clear of stones, sticks, wires, toys, tree nuts, tree branches, and other objects that could damage the lawn mower blades or motor. Do not mow over property stakes or other metal posts. Such objects could damage the blade or be accidentally thrown by the mower in any direction and cause serious personal injury to the operator and others.
- For a healthy lawn, always cut off one-third or less of the total length of the grass.
- When mowing large areas, start by turning to the right so that clippings will discharge away from shrubs, fences, driveways, etc. After one or two rounds, mow back and forth across the lawn, turning around in the edges of already mowed grass.

NOTICE:

To prevent damage to your lawn, use a slow speed while turning rather than spinning in a tight circle.

- When cutting heavy grass, reduce speed to allow for more effective cutting and a proper discharge of the clippings.
- New or thick grass may require a narrower cut or a higher cutting height.
- Keep the mower deck and side discharge chute clean. Remove grass clippings, leaves, dirt, and any other accumulated debris before and after each use. Do not spray with a garden hose to clean.

NOTE: Always stop mower, allow blades to completely stop, and remove the start key before cleaning underneath the mower.

OPERATION

SLOPE OPERATION

See Figure 17.

⚠ DANGER:

Slopes are a major factor related to tip-over and roll-over accidents that result in death or severe injury. Operation on slopes requires extra caution. If you feel uneasy on a slope, do not mow it. For your safety, do not attempt to mow steep slopes greater than 15 degrees. Do not operate in reverse down a slope, unless the mower stops while going uphill. In that situation, stop the blades, look behind you, and back up slowly. Make a copy or cut out the slope guide image later in this manual and use to determine if your slope is too steep for safe operation.

- Mow up and down, not across the face of slopes.
- Do not mow on wet grass. Wet grass can cause the tires to lose traction or slip on slopes, even though the brakes are functioning properly.
- Watch for holes, ruts, rocks, hidden objects, or bumps which can cause you to slip or trip. Tall grass can hide obstacles. Remove all objects such as rocks, tree limbs, etc., which could be tripped over or thrown by the blade.
- Do not mow near drop-offs, ditches, or embankments.
- Drive slowly and do not make sudden changes in speed or direction.
- Avoid stopping on slope if at all possible. If stopping is unavoidable, make sure to engage parking brake. When restarting, use lowest possible speed. If turning is necessary, exercise extreme caution when changing direction and always turn downhill.
- Never attempt to stabilize the mower on a slope by placing your foot on the ground during operation.
- Always use the joystick and brake when traveling down the slope. Do not attempt to let the mower coast downhill in neutral.
- If at any point the tires lose traction while operating on a slope, disengage the blades and proceed slowly and carefully straight down the slope.
- If the mower stops while going uphill, stop blades, look behind you, and back up slowly.

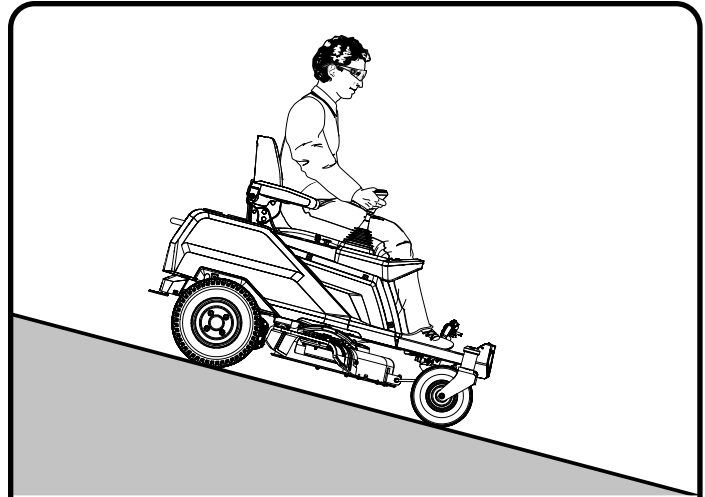


Fig. 17

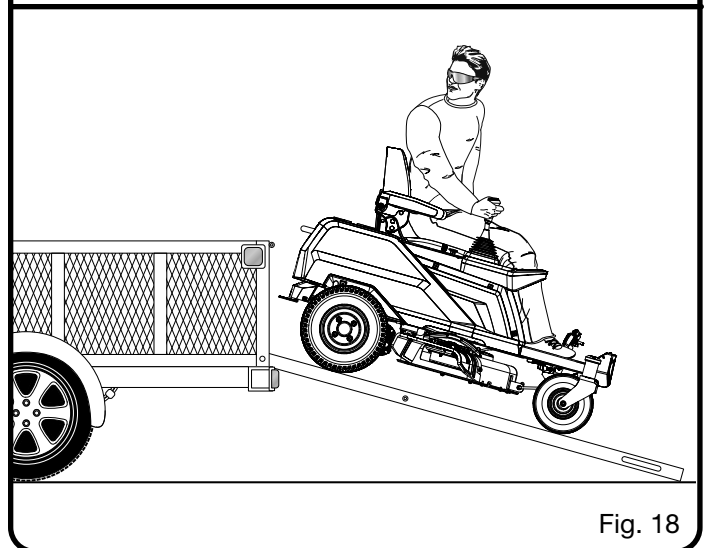


Fig. 18

TRANSPORTING THE MOWER

See Figure 18.

⚠ WARNING:

Use extra care when loading or unloading the machine into a trailer. Press the low speed drive button and carefully move the joystick as needed to control the speed. Always back onto the trailer when loading. When loading or unloading the mower, do not exceed the maximum recommended operation angle of 15°. Failure to follow these instructions can result in loss of control and result in death, serious personal injury, or property damage.

OPERATION

WARNING:

Use care when loading or unloading the mower onto a trailer. Ensure the cutting deck is raised to the highest position so that it is not caught on the ramp. The wheels on the mower can go off the ramp or trailer, causing the mower to pivot or tip over, and result in a crush hazard that can cause death or serious personal injury.

- Park the mower on a level surface.
- Raise the cutting deck to the highest position.
- Position and secure ramp to the trailer according to manufacturer's instructions.
- **NOTE:** We recommend you use one full width loading ramp that is at least 1 ft. wider than the mower to minimize the risk of the mower's wheels going off the side of the ramp.

- Slowly back the mower onto the ramp and into the trailer.
- Lower mower deck completely.
- Set the parking brake.
- Turn off mower and remove key.
- Secure the mower as needed using straps or cables to prevent movement during transport.

WARNING:

To avoid accidental starting or movement that could result in serious personal injury, always remove the start key and set the parking brake when transporting the mower.

MAINTENANCE

⚠ WARNING:

Before performing any maintenance, stop the mower on a level surface, wait for the blades to come to a complete stop, set the parking brake, and remove the start key to avoid accidental starting and possible serious personal injury.

⚠ WARNING:

Always wear eye protection with side shields marked to comply with ANSI Z87.1. Failure to do so could result in objects being thrown into your eyes resulting in possible serious injury.

⚠ WARNING:

When servicing, use only authorized replacement parts. Use of any other parts can create a hazard or cause product damage.

⚠ WARNING:

Strictly adhere to all torque wrench tightening specifications. Failure to do so could cause serious personal injury.

NOTICE:

Periodically inspect the entire product for damaged, missing, or loose parts such as screws, nuts, bolts, caps, etc. Tighten securely all fasteners and caps and do not operate this product until all missing or damaged parts are replaced. Please contact customer service or an authorized service center for assistance.

GENERAL MAINTENANCE

Avoid using solvents when cleaning plastic parts. Most plastics are susceptible to damage from various types of commercial solvents and may be damaged by their use. Use clean cloths to remove dirt, dust, oil, grease, etc.

⚠ WARNING:

Do not at any time let brake fluids, gasoline, petroleum-based products, penetrating oils, etc., come in contact with plastic parts. Chemicals can damage, weaken, or destroy plastic which can result in serious personal injury.

Remove any build-up of grass and leaves on or around the motor cover. Wipe the mower clean with a dry cloth occasionally. Do not use water.

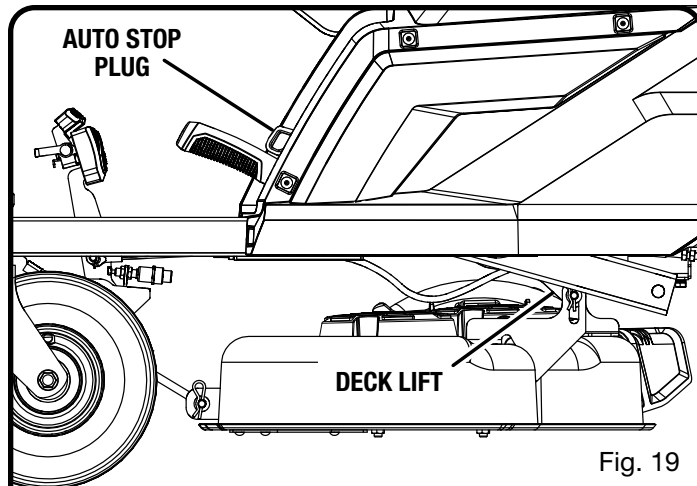


Fig. 19

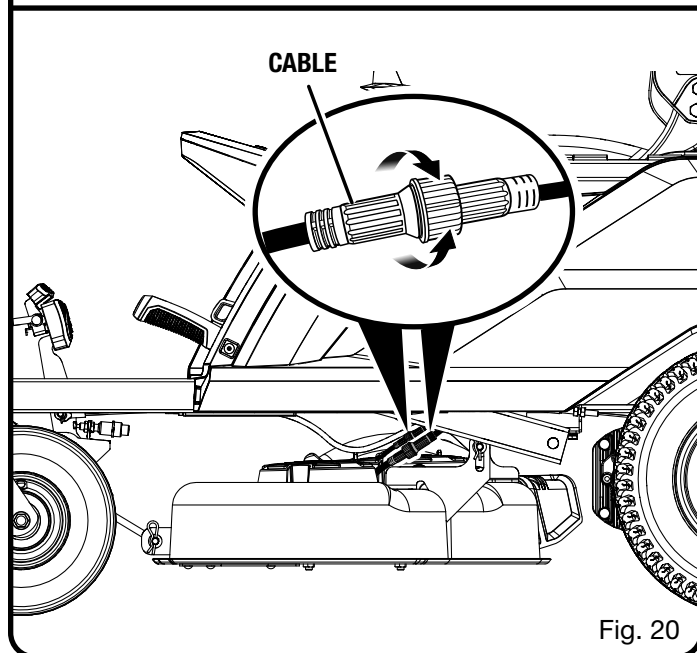


Fig. 20

REMOVING THE CUTTING DECK

See Figures 19 - 21.

If desired, the cutting deck can be removed from the mower to make accessing the blades easier when changing.

⚠ WARNING:

Wear heavy gloves at all times while handling the cutting deck. Keep hands and fingers clear of pinch points.

- Move the mower to a level surface. Make sure joystick is in the locked, neutral position and the blade engage knob is down.
- Stop the motor, remove the start key, and set the parking brake.
- Disconnect the cables that connect the cutting deck to the mower.
- Lower the cutting deck to its lowest position.

MAINTENANCE

- Remove the three hitch pins and washers that secure the cutting deck in place.
- Slide the deck out from under the mower.
- Reverse the process to reattach the cutting deck to the mower.

REPLACING CUTTING BLADES

See Figures 22 - 23.

⚠ WARNING:

Only use replacement blades and blade bolts authorized by the manufacturer of your riding mower. Unauthorized blades and/or blade bolts could break, allowing the blade to come loose, resulting in possible serious personal injury and damage to the mower.

NOTE: Make certain all parts are replaced in the exact order in which they were removed.

- Move the mower to a level surface. Make sure joystick is in the locked, neutral position and blade engage knob is down.
- Stop the motor, remove the start key, and set the parking brake.
- Raise the height of the cutting deck to its highest position to allow access to blades.
- **NOTE:** If necessary, raise the mower by placing on a lift or using a jack and jack stands to gain access to the blades.

⚠ WARNING:

If raising the mower to access the blades, make sure the mower is properly secured and the parking brake is set before proceeding. Failure to properly secure the mower could cause it to fall, resulting in death or possible serious personal injury.

- Wedge a block of wood between the blade and mower deck to prevent the blade from turning.
- Loosen the blade nut by turning it counterclockwise (as viewed from bottom of mower) using a 15 mm wrench or socket (not provided).
- Remove the blade nut, spring washer, and blade.
- Place the new blade on the shaft against the corresponding blade posts. Ensure blade is properly seated with shaft going through center blade hole and the two blade posts inserted into their respective holes on the blade. Make sure it is installed with the curved ends pointing up toward the mower deck and not down toward the ground. When seated properly, the straight sides should be aligned and the blade should be flat against the blade posts.
- Replace the spring washer, then thread the blade nut on the shaft and finger tighten.

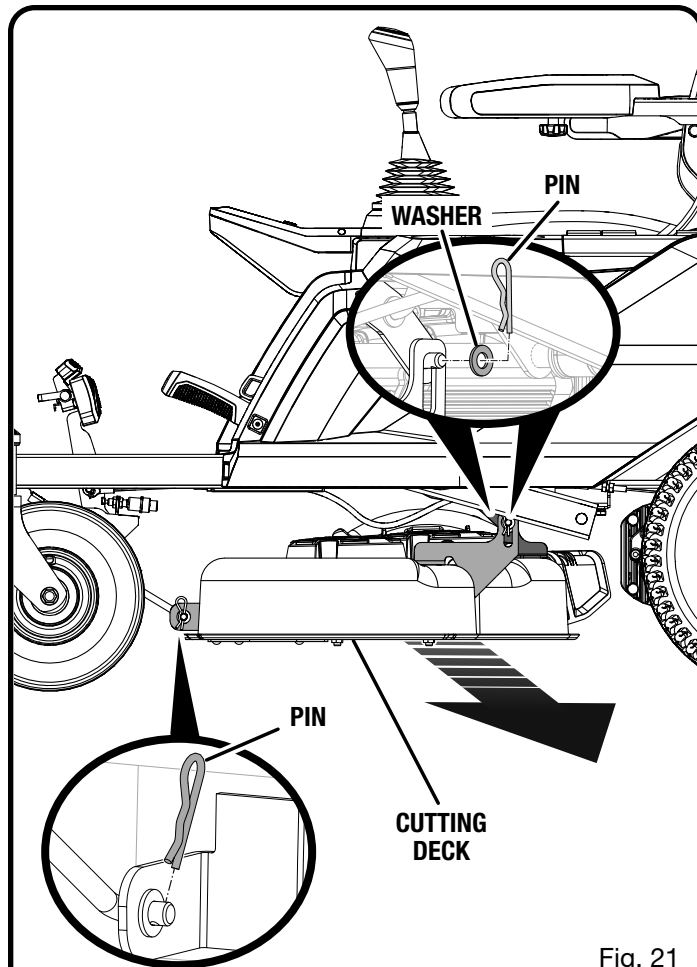


Fig. 21

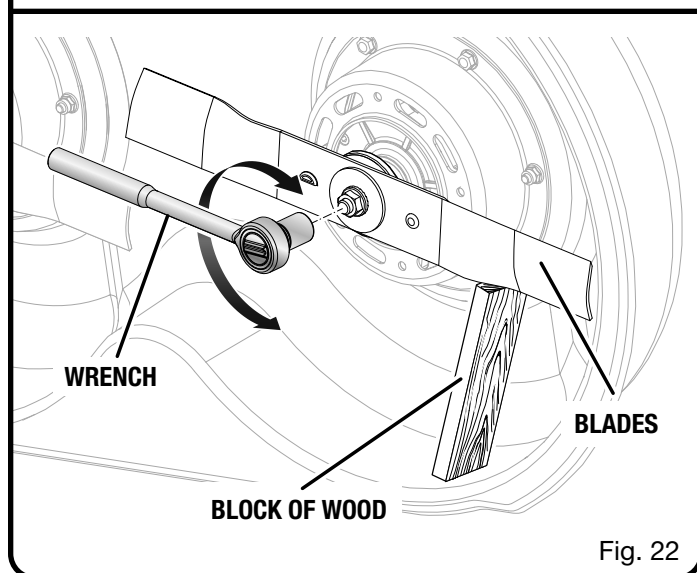


Fig. 22

MAINTENANCE

- Torque the blade nut down clockwise using a torque wrench (not provided) to ensure the bolt is properly tightened. The recommended torque for the blade nut is 600–650 in. lbs.

⚠ WARNING:

Ensure blade is properly seated and the blade nut is tightened to the torque specifications above. Failure to properly attach the blade could cause it to come loose and result in possible serious personal injury.

- Repeat with second and third blades, if needed.

TIRE MAINTENANCE

This mower is equipped with tubeless tires of the size and type listed below:

	Front	Rear
Size	11x4x5	16x6.5x8

Tire Air Pressure

Check the air pressure in all tires before use. Improper air pressure will affect handling, steering response, traction, tire life, level cutting, and operator comfort. Be sure tires are inflated to the pressure shown below.

NOTE: Tire pressure should only be measured or adjusted when tires are cold.

Recommended Pressure	Front	Rear
	19 PSI	18 PSI

⚠ WARNING:

Check the tire pressure carefully while inflating. Too much air in the tire could cause the tire to burst, causing serious personal injury.

⚠ WARNING:

Maintaining correct air pressure in the tires is very important. Too little pressure could allow the tire to rotate off the wheel rim. Too much pressure could cause the tire to burst. Failure to maintain correct air pressure in the tires could cause problems with mower operation and stability, causing death or serious personal injury.

TIRE REPAIR

If a leak or flat tire occurs due to a puncture, the tire may be repaired using a plug-type patch. If the damage is from a cut, or if the puncture cannot be repaired using a plug, the tire should be replaced.

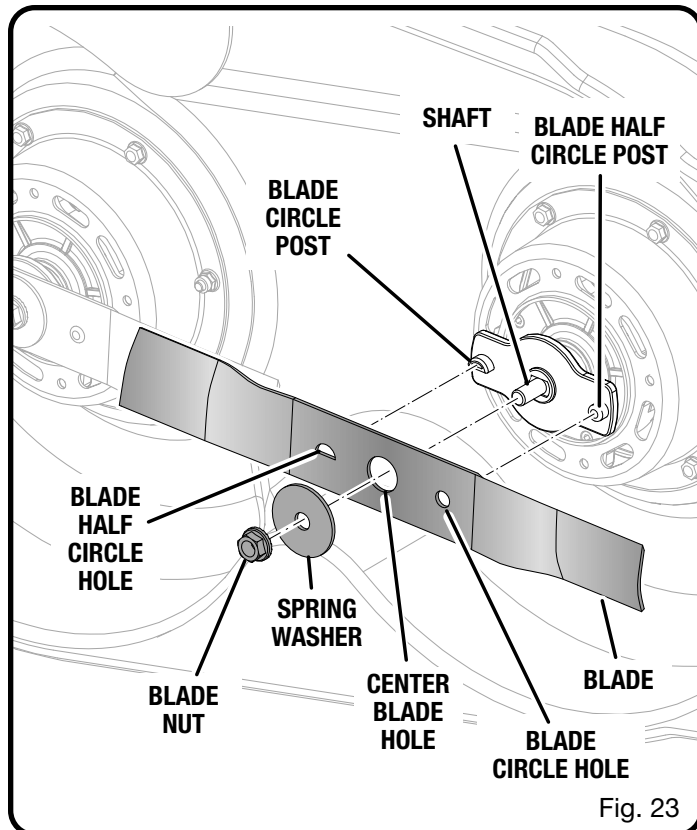


Fig. 23

REPLACING TIRES

When tires are worn, the traction of the mower will be decreased, which increases the chance of having an accident. Tires should be replaced when the depth on the tread is 0.16 in. (4 mm) or less, or any time there is damage to the tire. Always use identical replacement tires. Using improper tires on the mower could cause loss of control, which could cause serious personal injury.

Have tires replaced by an authorized service center or a qualified tire repair station.

ADJUSTING THE BRAKES

See Figure 24.

⚠ DANGER:

Ensure the brakes are properly functioning at all times and prior to each use. Improper brake function can cause loss of control in an emergency situation and result in death or serious personal injury.

Being able to stop the mower properly is critical to mowing safety. If you've noticed your mower traveling farther before stopping when you depress the brake pedal, the brakes may need adjusting.

MAINTENANCE

To test:

- Park the mower on a level surface and set the parking brake.
- Place the joystick in the locked, neutral position.
- Stand behind the mower and try to push it forward. If the rear tires turn, the brakes need to be tightened.

To tighten:

- Locate the brake adjustment nuts along the frame in front of each of the rear wheels.
- Turn each adjustment nut 1/4 turn clockwise, then try again to push the mower.
- Continue rotating each nut 1/4 turn and testing until the mower can no longer be moved by pushing.

After final adjustment, test the brakes by driving the mower at normal speed on flat ground to be sure the mower stops quickly when the brake pedal is depressed.

LEVELING THE CUTTING DECK

See Figures 25 - 26.

If your lawn appears unevenly cut after using the mower, the cutting deck may need adjusting. Before deciding that leveling the cutting deck is necessary, make sure tires are properly inflated to the recommended PSI when mowing. Over- or under-inflated tires can affect the appearance of the cut, and proper inflation of the tires may be all that is needed to resolve uneven cutting issues.

NOTE: Always check side-to-side alignment and adjust as needed before measuring and adjusting front to back.

Before beginning:

- Make sure the joystick is in locked, neutral position and blade engage knob is down.
- Stop the motor, allow the blades to come to a complete stop, remove the start key, and set the parking brake.
- Lower the height of the cutting deck to its lowest position.
- Check that tires are inflated to the recommended PSI. Refer to **Tire Maintenance** section.

To make side-to-side adjustment:

- Position the blades so that the ends point toward the sides of the mower.
- On the outside edge of each blade, measure the distance from the bottom edge of the side of the blade to the ground. If the distance between the two sides is greater than 1/8 in., a side-to-side adjustment is necessary.
- On the side you wish to adjust, loosen the jam nuts as shown.
- Turn the adjustment nuts clockwise to raise or counter-clockwise to lower the side of the cutting deck. Each full turn of the adjustment nut will change the deck height approximately 1/8 in.

NOTE: If raising the side, you will need to turn the top adjustment nut first. If lowering, turn the bottom nut first.

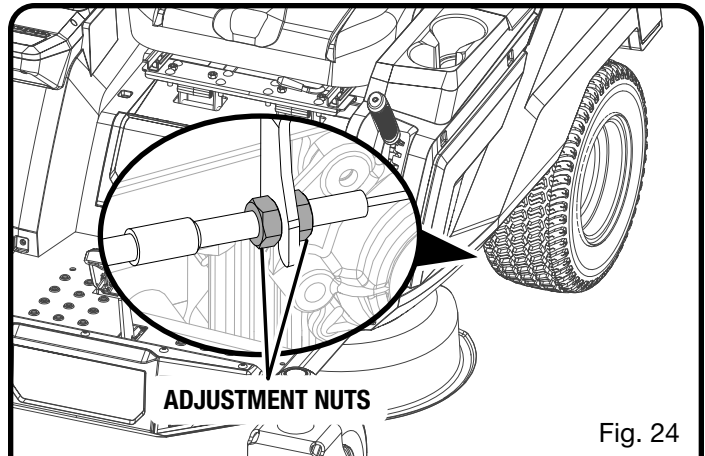


Fig. 24

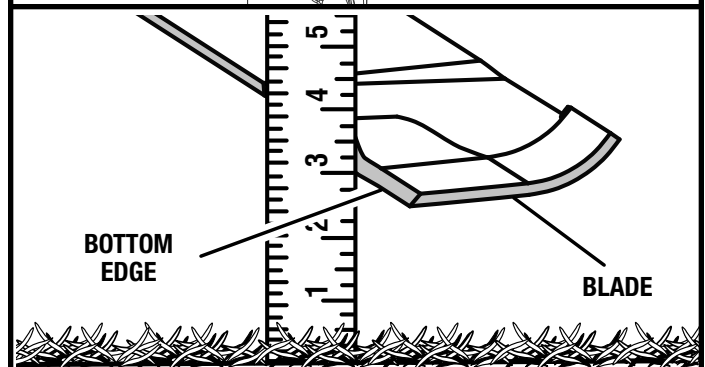


Fig. 25

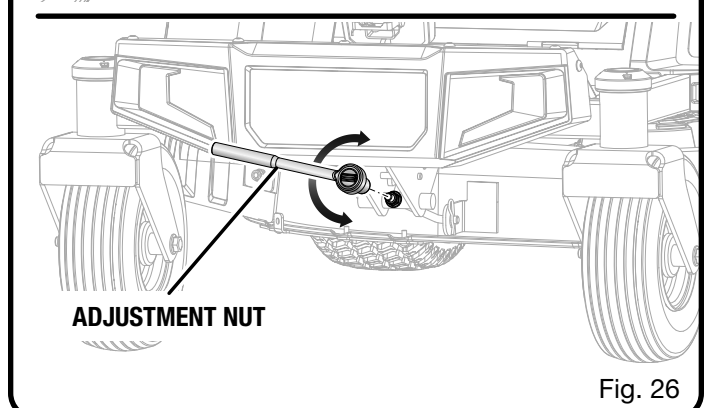
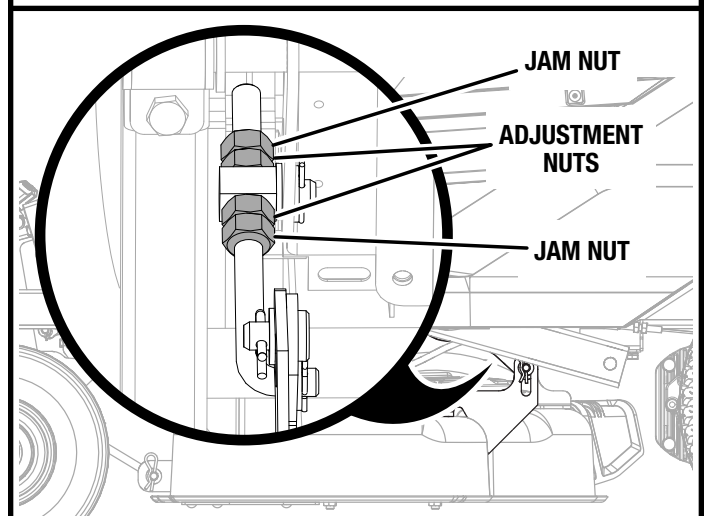


Fig. 26

MAINTENANCE

- Measure again. Continue to adjust and measure until the difference between the distance on each side is 1/8 in. or less.
- Proceed to front-to-back adjustment or retighten jam nuts to secure.

To make front-to-back adjustment:

NOTE: Always level the deck side to side before making a front to back adjustment.

- Position the blade nearest the side discharge chute so that the ends now point toward the front and back of the mower.
- Measure the distance from the tip of the blade to the ground. For best results, the front tip of the blade should be from 1/4 in. to 1/2 in. lower than the rear tip.
- If front-to-back adjustment is needed, turn the adjustment nuts clockwise to raise or counterclockwise to lower the back of the cutting deck. Each full turn of the adjustment nut will change the deck height approximately 1/8 in.

NOTE: Make sure to turn the adjustment nuts on both sides equally to prevent throwing the side-to-side measurement off again.

- Measure again to verify the front tip is now 1/4 in. to 1/2 in. lower than the rear tip. If not, continue to adjust and measure until they are.

NOTE: Deck levelness is factory set and not required as a regular maintenance item.

REPLACING THE BATTERIES

See Figures 27 - 30.

NOTE: Only use RYOBI Electric Riding Lawn Mower 80 volt and 40 volt lithium batteries.

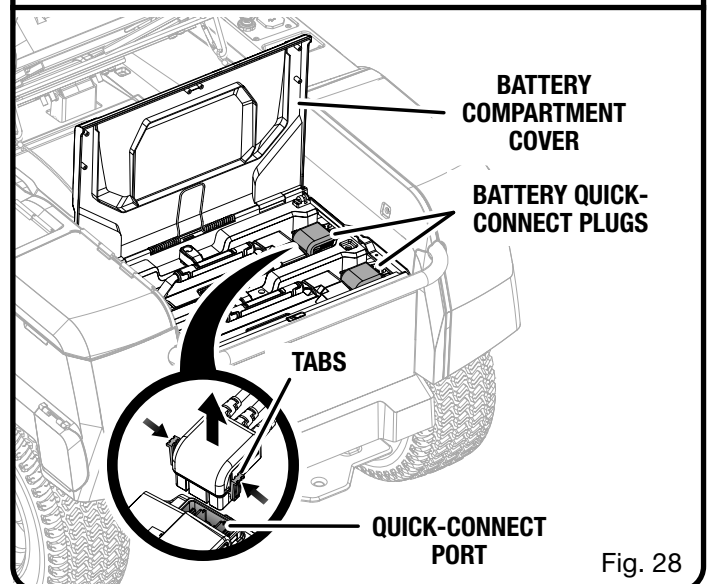
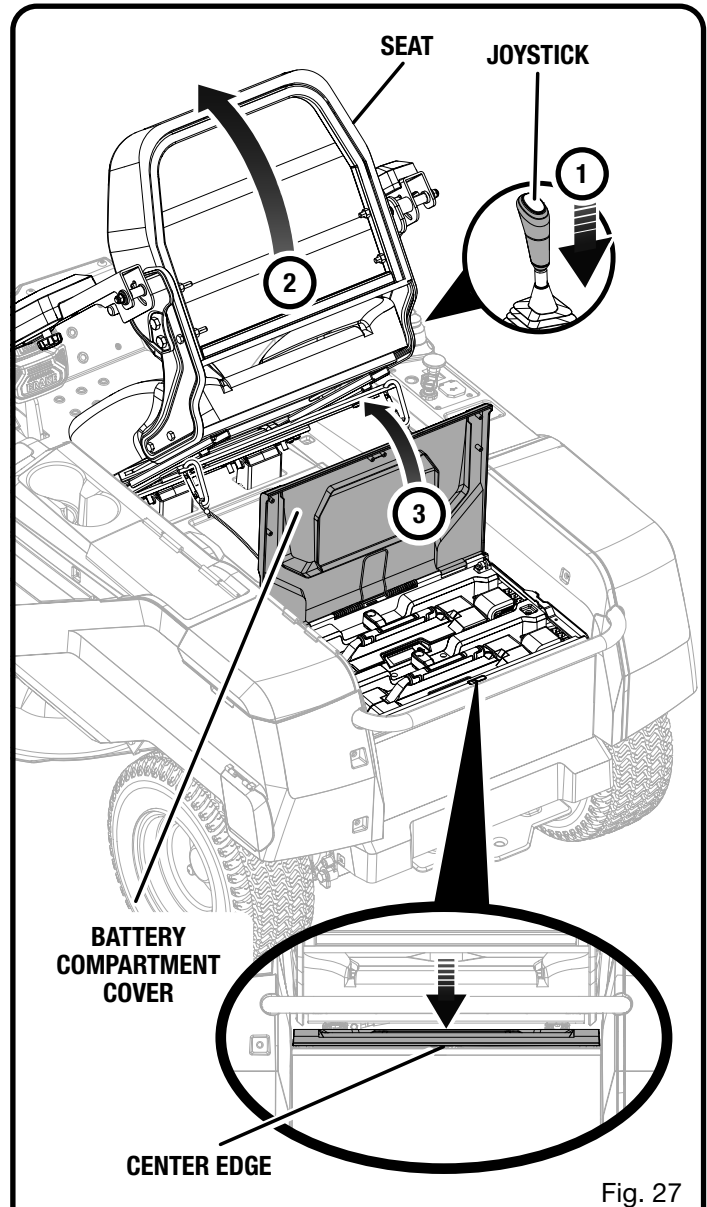
This mower can operate on up to two 80 volt battery packs. There are two additional 40 volt battery ports that can help extend the run time of the zero turn mower. The 80 volt batteries are used first and the system automatically balances the load between them during discharge. Any 40 volt batteries inserted will extend the run time by adding additional energy as the 80V batteries start to reach a lower state of charge.

NOTE: Used lithium batteries should always be recycled. Always abide by the safety warnings provided with the battery packs. Dispose of old batteries according to local and state regulations.

- Park the mower on a level surface and set the parking brake. Place the joystick in the locked neutral position, stop the motor, and remove the start key.
- Adjust the seat all the way forward.

When removing/replacing an 80 volt battery pack:

- Press the center edge on the battery compartment cover to release the latch. The cover will raise to gain access to the compartment below.



MAINTENANCE

- Disconnect the battery pack's quick-connect plug by squeezing the tabs, releasing it from the battery pack, and moving it aside. This plug connects/disconnects the batteries from the mower.
- Release the battery latch that secures the battery pack by turning it counterclockwise.
- Raise the battery pack from the battery port.
- Replace the battery pack or packs as needed by lowering it into the battery port.
- Secure the battery pack by turning the battery latch clockwise.
- Reinstall the battery pack's quick-connect plug.
- Repeat the steps for additional battery packs if necessary.
- Lower the lid to the battery compartment and press on the center edge to engage the lock.

NOTE: Make sure the battery compartment cover is securely locked before readjusting the seat. Check to be sure the safety interlock cable is still connected.

- Readjust the seat to a comfortable position before driving the mower.

When removing/replacing a 40 volt battery pack:

There are two additional 40 volt battery ports that can help extend the run time of the zero turn lawnmower. However, these additional batteries are not required to operate the zero turn mower.

NOTE: The zero turn mower will not operate on only 40 volt batteries. The unit must have at least one operable 80 volt battery to run the drive and blade motors.

- Open the battery ports located on each side of the mower.
- While depressing the battery latch, grasp the handle and raise the battery from the port.
- To install, align the raised ribs on the battery pack with grooves in the battery port and install the battery pack into the mower.
- Make sure the latch is securely locked into place.
- Repeat the steps for additional batteries if necessary.

⚠ WARNING:

Make sure the latch on the bottom of the battery packs snaps in place and the battery pack is fully seated and secure in the mower's battery port before beginning operation. Failure to securely seat the battery packs could cause the battery packs to fall out, resulting in serious personal injury.

For complete charging instructions, refer to the Operator's Manuals for your battery packs and charger models.

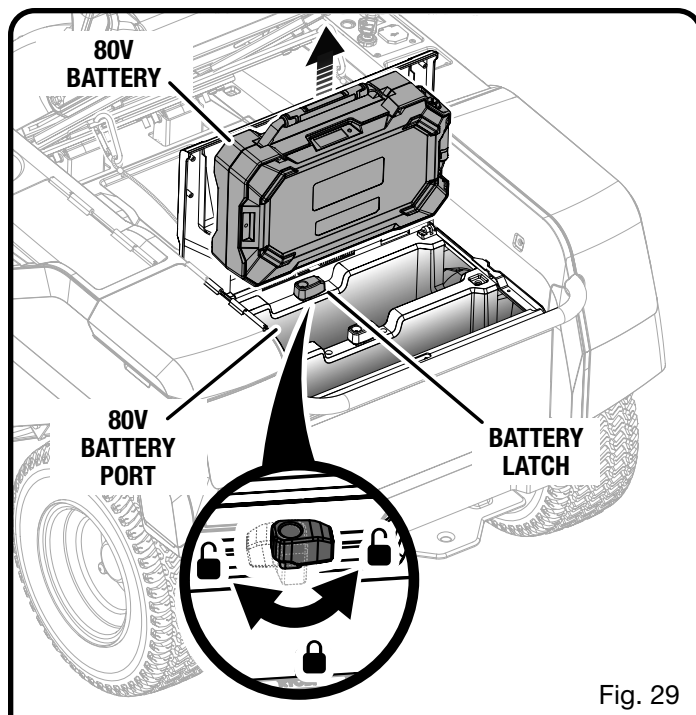


Fig. 29

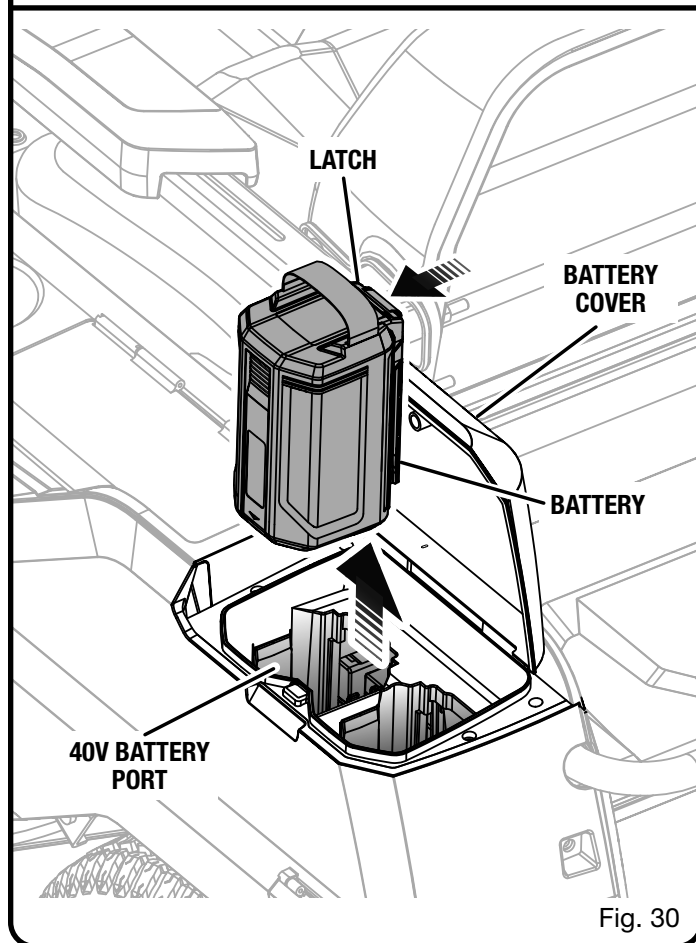


Fig. 30

MAINTENANCE

STORING THE MOWER

The following steps should be taken before storing the mower for the season.

- Remove any build-up of grass and leaves on or around the motor cover. Wipe the mower clean with a dry cloth. Do not spray with a garden hose, water, or liquids to clean.
- Plug the mower up to charge for the entire time of storage.
- **NOTE:** If it is not possible to leave the mower charger connected during storage, charge the batteries at least once a month during storage.
- Store mower in a clean, dry place that is inaccessible to children. Do not store near any appliance that operates with flame such as a gas water heater, clothes dryer, or furnace.
- **NOTE:** Set the parking brake and do not leave the key in the mower during storage. Place the key in a location that is inaccessible to children.

- If the mower must be stored outside, make sure it is covered completely to protect it from the elements.
- Keep away from corrosive agents such as garden chemicals and de-icing salts.

PREPARING FOR USE AFTER STORAGE

The following steps should be taken before using the mower after it has been stored:

- Review maintenance chart.
- Fully charge the batteries.
- Check tire pressure and inflate as needed.
- Briefly drive the mower and check all systems and components to ensure they are functioning correctly.
- Periodically inspect for frayed and deteriorated insulation on wires.

MAINTENANCE SCHEDULE

	Inspect Before Each Use	Every 25 Hours	Every 50 Hours or Yearly	Every 100 Hours	Before Storage
Check Brake Operation	X				
Check Tire Pressure	X				
Check Safety Interlock System	X				
Check for Loose Fasteners	X				X
Clean Debris From Mower	X		X		X
Check/Replace Mower Blades		X	X		
Clean Battery Terminals			X		

NOTE: Maintenance should be performed more frequently when mower is used in dusty areas.

When mower has exceeded the maximum figures specified in the table, maintenance should still be cycled according to the intervals of time or hours stated herein.

If you are unsure how to perform any of the maintenance items listed above, take the mower to an authorized service center for assistance.

ACCESSORIES

**To order these accessories,
scan this QR code,
visit us online at www.ryobitools.com,
or call 1-800-525-2579.**



RYOBI 30 in. Cross Cut Replacement Blades.....	ACRM032
RYOBI 30 in. Bagger Kit with Boost.....	ACRM018
RYOBI 30 in. Bagger Kit.....	ACRM022
RYOBI 30 in. Replacement Bagging Blades	ACRM010
RYOBI 30 in. Replacement Mulching Blades	ACRM009

⚠ WARNING:

Current attachments and accessories available for use with this product are listed above. Do not use any attachments or accessories not recommended by the manufacturer of this product. The use of attachments or accessories not recommended can result in serious personal injury.



MAKE THE MOST OF YOUR PURCHASE!

Go to <http://register.ryobitools.com> and register your new tool on-line.

Your product has been fully tested prior to shipment to ensure your complete satisfaction.

For any questions about operating or maintaining your product, call the RYOBI Help Line!

Excluding the battery, this product has a Five-year Limited Warranty for personal, family or household use (250 use hours for 80V Riding Mowers with deck sizes less than 42" and RYRM8002; 500 use hours for 80V Riding Mowers with deck sizes greater than or equal to 42", excluding the RYRM8002, if used for any other purpose, such as commercial, rental, or any other income-producing purpose).

The battery and charger have a Five-year Limited Warranty for personal, family or household use (two-year if used for any other purpose, such as commercial, rental, or any other income-producing purpose).

For warranty details, visit www.ryobitools.com or call (toll free) 1-800-525-2579.

TROUBLESHOOTING

IF THESE SOLUTIONS DO NOT SOLVE THE PROBLEM CONTACT YOUR AUTHORIZED SERVICE DEALER.

PROBLEM	POSSIBLE CAUSE	SOLUTION
Mower not starting.	Battery charge is low. Charger is connected to mower. Start key not installed or is in OFF position. Poor battery cable connections.	Charge the battery. Disconnect charger from mower. Install start key and turn to ON position. Check/clean all battery connections.
Mower won't move.	Start key not installed or is in OFF position. Joystick is in the neutral position. Brake is depressed and/or parking brake is engaged. Charger is connected to mower. Operator is not fully seated.	Install start key and turn to ON position. Move the joystick in desired direction (forward or reverse). Release the brake pedal and/or the parking brake. Disconnect charger from mower. Sit down fully on the seat, return the joystick to the neutral position, then try again.
Mower cutting grass unevenly.	Uneven tire pressure. Mower deck not level. Worn, bent, loose, or dull blade. Build-up of debris under mower deck. Mowing speed is too fast.	Check tire pressure in all four tires. Perform cutting deck level adjustment. Replace blade. Clean underside of mower deck. Mow at a slower speed.
Mower not mulching properly.	Wet grass clippings sticking to the underside of the deck. Grass is too high. Worn, bent, loose, or dull blade. Mowing speed is too fast.	Wait until the grass dries before mowing. Mow once at a high cutting height, then mow again at the desired height. Replace blade. Mow at a slower speed.
Mower vibrating at higher speed.	Blade is unbalanced, loose, or excessively or unevenly worn. Bent motor shaft.	Replace the blade. Stop the motor and remove start key. Inspect for damage. Have repaired by an authorized service center before restarting.
Poor grass discharge.	Side discharge chute or opening is plugged. Grass is wet. Mowing speed is too fast. Grass is too high.	Clean side discharge chute and/or opening. Allow grass to dry before mowing. Mow at a slower speed. Mow once at a high cutting height, then mow again at the desired height.

TROUBLESHOOTING

PROBLEM	POSSIBLE CAUSE	SOLUTION
Motor stops while cutting.	Cutting height set too low. Battery charge is low. Operator is not fully seated.	Raise the cutting height. Charge the battery. Sit down fully on the seat, return the joystick to the neutral position, and push the blade engage knob down. Then try again.
Blades do not rotate.	Battery charge is low. Blade engage knob is down. Operator is not fully seated. Build-up of debris under mower deck.	Charge the battery. Raise blade engage knob. Sit down fully on the seat, return the joystick to the neutral position, and push the blade engage knob down. Then try again. Clean underside of mower deck.
Blades do not rotate while moving in reverse.	Blade engage knob is down.	Raise blade engage knob.
Mower won't reach full speed.	Battery charge is low. Low speed drive feature is engaged.	Charge the battery. Turn off low speed drive.
Blades continue to turn after operator leaves seat without parking brake set.	Safety interlock system is not functioning correctly.	Ensure safety interlock system seat plug is fully connected. If blades still won't stop, take mower to authorized service center for repair.
Headlights not working.	Headlights are off. Headlights are damaged.	Press headlight button to turn headlights on. Have headlights replaced at an authorized service center.
Battery will not charge.	Bad battery cells. Poor cable connections.	Replace battery. Check/clean all battery connections.

If problem persists after trying the above solutions, contact customer service or an authorized service center for assistance.

INSTRUCTIONS IMPORTANTES CONCERNANT LA SÉCURITÉ

⚠ DANGER :

LIRE TOUS LES AVERTISSEMENTS DE SÉCURITÉ, LES INSTRUCTIONS ET LES DIRECTIVES D'ASSEMBLAGE FOURNIS AVEC CE PRODUIT. L'utilisation d'une tondeuse à braquage zéro nécessite de comprendre le fonctionnement de la tondeuse et de ses commandes. Si on ne respecte pas tous les avertissements et toutes les instructions, on risque la mort, des blessures graves, une décharge électrique ou un incendie.

LISEZ TOUTES LES INSTRUCTIONS

- Cet outil coupant est capable d'amputer des mains et des pieds et projeter des objets. Le non respect de toutes les instructions de sécurité pourrait résulter en des blessures graves ou la mort.
- Éviter les environnements dangereux — N'utilisez pas la tondeuse dans un environnement mouillé ou humide et ne l'utilisez pas durant la pluie.
- Garder les enfants à l'écart — Garder les badauds, enfants et animaux domestiques à une distance minimum de 30,5 m (100 pi). Arrêter la tondeuse et éteindre la machine si quelqu'un entre dans la zone.
- Des accidents tragiques peuvent survenir si l'opérateur ne tient pas compte de la présence d'enfants. Les enfants sont souvent attirés par la machine et l'activité de tonte. **NE JAMAIS** assumer que les enfants resteront toujours au même endroit.
 - Garder les enfants éloignés de la zone de tonte et qu'ils sont surveillés adéquatement par un adulte responsable autre que l'opérateur.



- Être alerte; immobiliser et arrêter la machine si un enfant est présent dans la zone de coupe.
- Avant et pendant la marche arrière, la manœuvre en sens inverse, ou en tournant, regarder derrière et vers le bas pour éviter de heurter un enfant, un spectateur ou un animal.
- Ne jamais transporter d'enfants même si les lames ne fonctionnent pas. Ces derniers peuvent tomber et être gravement blessés ou nuire à l'opération sécuritaire de la machine. Les enfants déjà transportés peuvent soudainement apparaître dans la zone de coupe afin

d'être à nouveau transportés ou peuvent courir devant ou derrière la machine.

- Ne jamais laisser un enfant faire fonctionner la machine.

⚠ AVERTISSEMENT :

LES ENFANTS PEUVENT ÊTRE TUÉS OU GRAVEMENT BLESSÉS PAR CET ÉQUIPEMENT. L'Académie des pédiatres américaine recommande que les enfants doivent avoir au moins 16 ans avant de les laisser opérer une tondeuse à gazon autoportée.

- • Une prudence accrue doit être exercée à l'approche de tournants sans visibilité, d'arbustes, d'arbres ou autres objets pouvant camouflés un enfant.
- Porter des pantalons longs et épais, des manches longues, des gants et des chaussures de protection qui protégeront les pieds et amélioreront la traction sur des surfaces glissantes. Ne pas porter de vêtements amples, de shorts ou de sandales, et ne pas travailler pieds nus. Ne porter aucun bijou. Ils peuvent se coincer dans les pièces mobiles.
- Ne jamais laisser une machine en marche sans surveillance. Toujours arrêter les lames, enclencher le frein à main, arrêter le moteur et retirer la clé de démarrage avant tout démontage.
- Vérifier le fonctionnement des freins avant chaque utilisation et plusieurs fois en cours d'utilisation. Régler et réparer le cas échéant.
- Éloignez les mains et les pieds de la zone de coupe, laquelle est située sous le plateau de coupe et à l'intérieur de la goulotte d'éjection de côté. Tenez vous éloigné de l'ouverture de goulotte d'éjection de côté en tout temps. Ne pas tenter d'atteindre le dessous du plateau de coupe.
- Utilisez la tondeuse seulement à la lumière du jour ou avec une bonne lumière artificielle.
- Porter des lunettes de sécurité — Toujours porter une protection oculaire munie d'écrans latéraux certifiée conforme à la norme ANSI Z87.1. Utilisez une masque faciale si l'utilisation produit de la poussière.
- Utilisez l'outil approprié — N'utilisez pas la tondeuse pour aucune tâche sauf celle pour laquelle elle est conçue.
- Ne forcez pas la tondeuse — Elle exécutera le travail mieux et de façon plus sécuritaire à la vitesse pour laquelle elle fut conçue.
- Ne pas charger l'outil sous la pluie ou dans un endroit mouillé.
- Restez vigilant — Regardez ce que vous faites et utilisez votre meilleur jugement lorsque vous utilisez la tondeuse. N'utilisez pas la tondeuse si vous êtes fatigué, contrarié ou sous influence de drogues, d'alcool ou de médicaments. Un moment d'inattention pendant l'utilisation de la tondeuse peut résulter en une blessure grave.
- Faire l'entretien de la tondeuse avec soins — Gardez l'outil en bon état. Assurez-vous que les lames soient affûtées

INSTRUCTIONS IMPORTANTES CONCERNANT LA SÉCURITÉ

et que les dispositifs de protections soient en place et en état de fonctionnement. Pour éviter les blessures graves, d'endommager la tondeuse et obtenir une performance optimale, remplacer les lames usées ou usées inégalement.

- Vérifiez avant chaque utilisation si tous les écrous, boulons et vis sont serrés pour s'assurer que l'équipement est sécuritaire. Les lames de tondeuse sont tranchantes. Envelopper les lames ou porter des gants et prendre beaucoup de précautions lors de l'entretien.
- Remplacer la lame si elle est pliée, fissurée ou endommagée de quelque façon que ce soit. Une lame déséquilibrée provoque des vibrations qui peuvent endommager le moteur de l'appareil et provoquer des blessures. Affûter également les extrémités de la lame émoussée afin de maintenir l'équilibre. Nettoyer complètement la lame et vérifier son équilibre en la déposant à l'horizontale et en plaçant l'orifice du centre sur un petit clou. Le clou doit être placé à l'horizontale. Si l'une des extrémités de la lame tourne vers le bas, enlever un peu de métal de la partie épaisse inférieure de la lame jusqu'à ce que celle-ci soit équilibrée. Une lame équilibrée lorsqu'aucune extrémité n'est inclinée.
- La goulotte d'éjection de côté est un protecteur à ressort recouvrant l'ouverture d'éjection de côté du plateau de coupe et éjecte les débris d'herbe et autres débris loin de l'opérateur. Toujours s'assurer que le moteur est arrêté et que les lames ont cessé de tourner avant d'inspecter, déplacer, nettoyer ou effectuer l'entretien de la goulotte d'éjection de côté.
- Toujours, utiliser des dispositifs de protection. Ne pas opérer la tondeuse sans avoir installé la goulotte d'éjection de côté et que celle-ci fonctionne correctement.
- Ne jamais tenter de nuire à la fonction prévue du dispositif de sécurité ou de réduire la protection fournie par ce dispositif de sécurité. Vérifier périodiquement l'état de fonctionnement de ces pièces.
- Ne jamais modifier les dispositifs de sécurité. Vérifier périodiquement l'état de fonctionnement.
- Suivez les instructions du fabricant relatives à l'installation et l'utilisation des accessoires. Utilisez seulement des accessoires approuvés par le fabricant. L'utilisation d'autres accessoires représente un risque accru de blessures.
- Nettoyez la zone de travail avant chaque utilisation. Enlevez tous les objets tels que les roches, les branches, métal, les fils, les os, les jouets, branches d'arbres au sol, arbres produisant des noix et d'autres objets qui peuvent être projetés par les lames.
- Des objets frappés par les lames de la tondeuse peuvent causer des sérieuses blessures. La pelouse devrait toujours être examinée attentivement et nettoyée de tout objet avant la tondaison.
- Si la tondeuse frappe un objet étranger, suivez ces étapes:

- Arrêter la tondeuse, enclencher le frein à main, attendre que les lames s'arrêtent complètement, puis retirer la clé de démarrage.

- Inspectez attentivement la tondeuse pour desceller les dommages.

- Remplacer la lame si elle est endommagée de quelque façon que ce soit Réparez tout dommage avant de démarrer et de continuer à utiliser la tondeuse.



- Les pentes représentent un facteur majeur des accidents causés par la perte de contrôle ou le renversement et sont cause de blessures graves ou mortelles. Toute opération sur des pentes exige une extrême prudence. S'il est impossible d'aborder une pente ou si vous ne vous y sentez pas à l'aise, ne la tondez pas. Ne pas manœuvrer à sens inverse dans une pente. Ne jamais grimper des pentes raides ayant une inclinaison supérieure à 15 °.

- Ne jamais tenter de conduire sur une pente raide ou tondre une pente ayant une inclinaison supérieure à 15°. Pour déterminer l'angle de la pente à tondre, utiliser le **Guide de pente** au verso de ce manuel. Pour votre propre sécurité, mesurer chaque pente avant d'utiliser la machine dans une zone en pente. Utiliser un appareil de mesure des pentes, en plus de l'indicateur de pente qui se trouve à l'arrière du présent manuel.

- Tondre les pentes de haut en bas et non pas à l'horizontale.

- Surveiller les trous, ornières, bosses, pierres et autres objets dissimulés. Un terrain inégal représente un risque de basculement de la machine. L'herbe haute peut dissimuler des obstacles. Une accélération ou un freinage rapide peut provoquer le soulèvement et le renversement de l'avant de la machine et entraîner des blessures graves, voire mortelles. Éviter de démarrer sur une pente ascendante.

- Tondre à basse vitesse de manière à pouvoir éviter les arrêts brusques ou une accélération accidentelle pendant la tonte effectuée sur une pente.

- Ne pas tondre sur de l'herbe mouillée ou sur des surfaces instables. Ceci peut causer la perte de traction des pneus et une perte de contrôle.

- Toujours garder les leviers de commande en position avant pendant la descente des pentes. Ne pas passer en position neutre pour éviter la perte de contrôle de la tondeuse.

- Éviter de démarrer, d'arrêter ou de tourner sur une pente. Si la traction des pneus diminue, arrêter les lames et descendre lentement la pente en ligne droite.

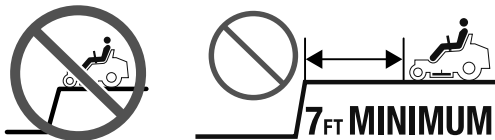
- Tous les mouvements effectués sur une pente doivent être lents et progressifs. Ne pas changer brusquement de vitesse ou de direction pour éviter le capotage de la machine.

- Exercer une prudence accrue pendant le fonctionnement de la machine équipée d'ensacheuses ou autres accessoires, car ils peuvent nuire à la stabilité de la machine. Une

INSTRUCTIONS IMPORTANTES CONCERNANT LA SÉCURITÉ

ensacheuse lourde peut causer une perte de contrôle ou le basculement de la machine. Ne pas utiliser la machine avec l'ensacheuse sur des pentes supérieures à 10°.

- Ne pas tenter de stabiliser la machine en mettant un pied au sol.
- Assurer au moins deux largeurs de tonte (2,13 m ou 7 pi) entre vous et les fossés, les terrains dénivelés, ou l'eau. Les roues pivotantes avant peuvent pivoter lorsque la tondeuse est arrêtée, même avec le frein serré, et faire en sorte que la tondeuse passe par-dessus bord ou dans l'eau, entraînant la mort ou des blessures graves.



- N'éjectez jamais du matériel en direction de quelqu'un. Planifiez le parcours de la tondeuse pour éviter d'éjecter les matériaux sur les passants, routes, les trottoirs, fenêtres, véhicules, etc. Évitez également d'éjecter les matériaux sur un mur ou une obstruction ce qui pourrait causer un matériau d'être projeté par ricochet en direction de l'opérateur.
- Arrêtez la lame quand vous traversez des surfaces recouvertes de gravier pour éviter d'éjecter du gravier ou des pierres et conduire lentement et prudemment la tondeuse pour éviter la perte de contrôle.
- Redoublez la prudence si vous vous approchez des coins, des arbustes, des arbres ou d'autres objets qui vous cachent la vue.
- Ne jamais effectuer d'ajustements, réglages ou réparations lorsque le moteur est en marche et/ou que les lames tournent. Mettre le commutateur d'allumage à la position « OFF » (arrêt) et retirer la clé.
- Arrêter le moteur, enclencher le frein à main, attendre que les lames s'arrêtent complètement et retirer la clé de démarrage avant de déboucher la goulotte d'éjection de côté ou ouverture. Les lames continuent de tourner pendant quelques secondes après que le moteur soit arrêté. Ne mettez jamais aucune partie du corps dans la proximité de la lame avant d'être certain que les lames ont cessé de tourner.
- Si la tondeuse commence à vibrer de façon anormale, arrêtez le moteur et vérifiez immédiatement la cause. Remplacer les lames si elles sont usées de façon inégale ou endommagées de quelque façon que ce soit. La vibration est généralement un signe de lame de tondeuse endommagée.
- Arrêter les lames de la tondeuse si aucune tonte n'est faite.
- Le produit et chargeur doit être réparé par un personnel qualifié seulement. Des réparations ou l'entretien effectués par un personnel non qualifié pourraient résulter en des blessures pour l'utilisateur ou endommager le produit.

- Lors de réparation du produit, utilisez pièces de remplacement autorisées. Utiliser uniquement des lames de rechange identiques. L'utilisation des pièces non autorisées peut créer un risque d'une blessure sérieuse à l'utilisateur ou endommager le produit.
- Conserver ou remplacer les étiquettes d'instructions de sécurité, si nécessaire.
- Retirer le clé de démarrage — Retirer le clé de démarrage avant d'entreposer, d'effectuer l'entretien, ou de changer les accessoires comme la lame. Ces mesures de sécurité réduisent les risques de démarrage accidentel de la tondeuse.
- Arrêter l'produit et retirer le clé de démarrage lorsqu'il n'est pas utilisé. Mettre l'arrêt complet du moteur et la clé de démarrage retirés de la tondeuse avant de transporter l'produit.
- Les outils fonctionnant batteries n'ayant pas besoin d'être branchés sur une prise secteur, ils sont toujours en état de fonctionnement. Tenir compte des dangers possibles lorsque l'outil n'est pas en usage et lors du remplacement des batteries. Le respect de cette règle réduira les risques d'incendie, de choc électrique et de blessures graves.
- Ne pas utiliser un tondeuse alimenté par batterie sous la pluie.
- Retirer le clé de démarrage avant l'entretien ou le nettoyage de l'outil de jardin ou avant d'en retirer des matériaux.
- Ranger les appareils qui ne sont pas utilisés à l'intérieur — lorsque la tondeuse n'est pas utilisée, le ranger à l'intérieur dans un endroit sec et verrouillé hors de la portée des enfants. Retirer la clé de démarrage et la ranger dans un endroit situé hors de la portée des enfants.
- Suivre les instructions de changement d'accessoires.
- Faire fonctionner cet appareil ne doit être permis qu'aux adultes responsables, formés et physiquement capables, qui familiers avec et veillent à comprendre les instructions.
- Ne jamais transporter de passagers.
- Ne jamais faire fonctionner l'appareil dans un endroit clos.
- Ne pas tondre en marche arrière sauf si cela est vraiment nécessaire. Toujours regarder vers le bas et derrière avant et pendant la marche arrière.
- Ralentir avant de tourner.
- Surveiller la circulation lors d'une tonte effectuée près ou d'une route ou en traversant une chaussée.
- Les tondeuses à propulsion nécessitent plus de traction que les tondeuses à traction. Pour éviter tout renversement, faire très attention lorsqu'on tond des pentes ou lorsqu'on traverse des surfaces humides.
- Pendant la tonte, maintenir une distance d'au moins 2,13 m (7 pi) des dénivellations, des talus, de l'eau et des surfaces semblables à des marais.
- Exercer une prudence accrue lors du chargement ou du déchargement de la machine sur une remorque ; appuyer

INSTRUCTIONS IMPORTANTES CONCERNANT LA SÉCURITÉ

sur le bouton de conduite à basse vitesse et déplacer doucement les leviers de commande au besoin pour contrôler la vitesse. Toujours reculer sur la remorque lors du chargement. Lors du chargement ou du déchargement de la tondeuse, éviter de dépasser l'angle d'opération de 15 ° recommandé.

- Utiliser des rampes sur toute la largeur pour charger et décharger une machine en vue de son transport.
- Des données indiquent que les opérateurs de 60 ans et plus sont impliqués dans un large pourcentage de blessures causées par la conduite d'une tondeuse. Ces opérateurs devraient évaluer leur habileté à opérer une tondeuse autoportée tout en étant suffisamment sécuritaire afin de les protéger eux-mêmes et les autres personnes contre les blessures graves.
- Garder la machine libre de toute herbe, feuille et autre accumulation de débris. Laisser refroidir la machine avant de la ranger.
- **Ne jamais utiliser un boyau, de l'eau ou une autre liquide pour nettoyer ou rincer la tondeuse.** Les liquides corrosifs, l'eau, l'engrais et les produits chimiques utilisés pour traiter les pelouses peuvent s'infiltrer dans la tondeuse et/ou le compartiment de la pile et endommager les composants électroniques et/ou le bloc-pile, ce qui peut entraîner un court-circuit, augmenter le risque d'incendie ou des blessures corporelles graves. Enlever toute accumulation d'herbes ou de feuilles sur ou autour du corp de la tondeuse et/ou en dessous de la plateforme de la tondeuse. Une exception au nettoyage du dessous du plateau de tondeuse peut avoir lieu en cas d'utilisation d'un accessoire Ryobi conçu à cette fin, conformément aux instructions sur l'accessoire. Essuyer la tondeuse de temps en temps avec un linge sec.
- Avant de nettoyer la tondeuse à gazon ou d'enlever l'ensacheuse ou le couvercle d'éjection d'herbe, arrêter le moteur, attendre que les lames soient immobiles et retirer la clé de démarrage.

CONSIGNES DE SÉCURITÉ ADDITIONNELLES CONCERNANT LES BATTERIES

- Ne pas jeter les batteries au feu. Les batteries peuvent exploser. Vérifier les codes locaux pour connaître toute instruction spéciale relative à l'élimination des batteries.
- Conserver tous les objets métalliques tels que trombones, pièces de monnaie, clés, clous, vis ou autres petits objets métalliques à l'écart de la batterie et des bornes de la batterie pouvant établir une connexion entre deux terminaux. La mise en court-circuit des bornes de piles peut causer des étincelles, des brûlures ou un incendie, et peut entraîner des blessures graves et des dommages matériels.
- Manipuler les batteries avec soin pour éviter des courts-circuits avec des objets conducteurs comme des anneaux, des bracelets et des clés. La batterie ou l'objet conducteur peuvent surchauffer et causer des brûlures.




- Ne pas charger la batterie dans des conditions extrêmement chaudes ou froides. La qualité de charge des batteries sera optimale à l'intérieur d'une plage de 0 à 40 °C (32 à 104 °F).
- Ne pas exposer le bloc-piles ou l'outil à un feu ou à des températures excessives. Une exposition au feu ou à une température supérieure à 130 °C (265 °F) peut provoquer une explosion.
- Utiliser seulement des batteries au plomb pour tondeuse électrique autoportée de RYOBI de 115Ah (LDC12-115).
- Ne recharger qu'avec l'appareil spécifié par le fabricant. Un chargeur approprié pour un type de batterie peut créer un risque d'incendie s'il est utilisé avec un autre type de batterie.

CONSIGNES DE SÉCURITÉ ADDITIONNELLES POUR LA TONTE










- Ne pas remorquer une charge qui dépasse la moitié du poids de la tondeuse + la moitié du poids de l'opérateur. Ne jamais dépasser un poids au timon de 22 kg.
- Utiliser votre bon sens pendant la tonte. Il est dangereux d'avoir une charge trop lourde sur une pente. Les pneus peuvent perdre leur traction sur le sol et vous faire perdre le contrôle de votre tondeuse. En cas de remorquage, ne jamais utiliser sur des pentes raides supérieures à 5°.
- Respecter les poids ou contrepoids de roue recommandés par le fabricant.
- Ne pas mettre la tondeuse au point mort lorsque vous êtes sur une pente. Essayer de ne pas rouler en roues libres lors du remorquage.
- Utiliser uniquement des attelages homologués pour votre tondeuse. Ne pas atteler d'équipement ailleurs qu'au point d'attache approuvé.
- Ne jamais permettre aux enfants ou autres personnes de s'installer à l'intérieur ou sur l'équipement remorqué.
- La distance de freinage augmente avec la vitesse et le poids de la charge remorquée. Se déplacer lentement et allouer plus de temps et une plus longue distance de freinage.
- Éviter les virages brusques pendant le remorquage. Faire des virages larges pour éviter la mise en portefeuille. Exercer une prudence accrue lors des virages ou pendant la manœuvre sur des surfaces difficiles. Faire preuve de prudence lors de la marche arrière.
- Ne pas tenter de tirer ou déloger des objets stationnaires avec le dispositif d'attelage. La machine peut pivoter vers la traction arrière et se soulever vers le haut, ce qui peut entraîner des blessures graves, voire mortelles.
- Ne pas utiliser une chaîne, un câble ou une corde pour tirer des accessoires qui ne sont pas conçus pour le remorquage. Remorquer uniquement des accessoires qui sont dotés d'un dispositif d'attelage.
- Utiliser une vitesse réduite lors du remorquage.

SYMBOLES

Les termes de mise en garde suivants et leur signification ont pour but d'expliquer le degré de risques associé à l'utilisation de ce produit.







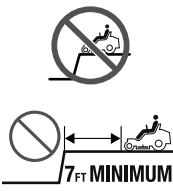

SYMBOLE	SIGNAL	SIGNIFICATION
	DANGER :	Indique une situation dangereuse qui, si elle n'est pas évitée, aura pour conséquences des blessures graves ou mortelles.
	AVERTISSEMENT :	Indique une situation dangereuse qui, si elle n'est pas évitée, pourrait entraîner des blessures graves ou mortelles.
	ATTENTION :	Indique une situation dangereuse qui, si elle n'est pas évitée, pourrait entraîner des blessures légères ou de gravité modérée.
	AVIS :	(Sans symbole d'alerte de sécurité) Indique les informations jugées importantes sans toutefois représenter un risque de blessure (ex. : messages concernant les dommages matériels).

Certains des symboles ci-dessous peuvent être utilisés sur produit. Veiller à les étudier et à apprendre leur signification. Une interprétation correcte de ces symboles permettra d'utiliser produit plus efficacement et de réduire les risques.

SYMBOLE	NOM	DÉSIGNATION / EXPLICATION
	Symbole d'alerte de sécurité	Indique un risque de blessure potentiel.
	Lire manuel d'utilisation	Pour réduire les risques de blessures, l'utilisateur doit lire et veiller à bien comprendre le manuel d'utilisation avant d'utiliser ce produit.
	Protection oculaire	Toujours porter une protection oculaire munie d'écrans latéraux certifiée conforme à la norme ANSI Z87.1.
	Tenez les enfants éloignés	Garder les enfants hors de la zone de tonte et les faire surveiller par un adulte responsable autre que l'opérateur.
	Avertissement concernant l'humidité	Risque de feu et de brûlures. Ne pas exposer la pile, le compartiment de la pile, ou les composants électroniques à la pluie, l'eau ou d'autres liquides. Ne pas charger la batterie ou exposer la tondeuse à gazon à la pluie ou dans des endroits humides. Ne pas opérer sur un sol humide.
	Choc électrique	Ne pas utiliser la machine dans un endroit sec ou ne pas respecter les pratiques de sécurité peut entraîner un choc électrique.
	Électricité	Ce produit est considéré avoir une tension dangereuse.
	Garder les mains et les pieds à l'écart	Garder les mains et les pieds à l'écart de la lame et de la zone de coupe.
	Se tenir loin	Ne pas mettre ses mains ou ses pieds en dessous du châssis de la tondeuse.

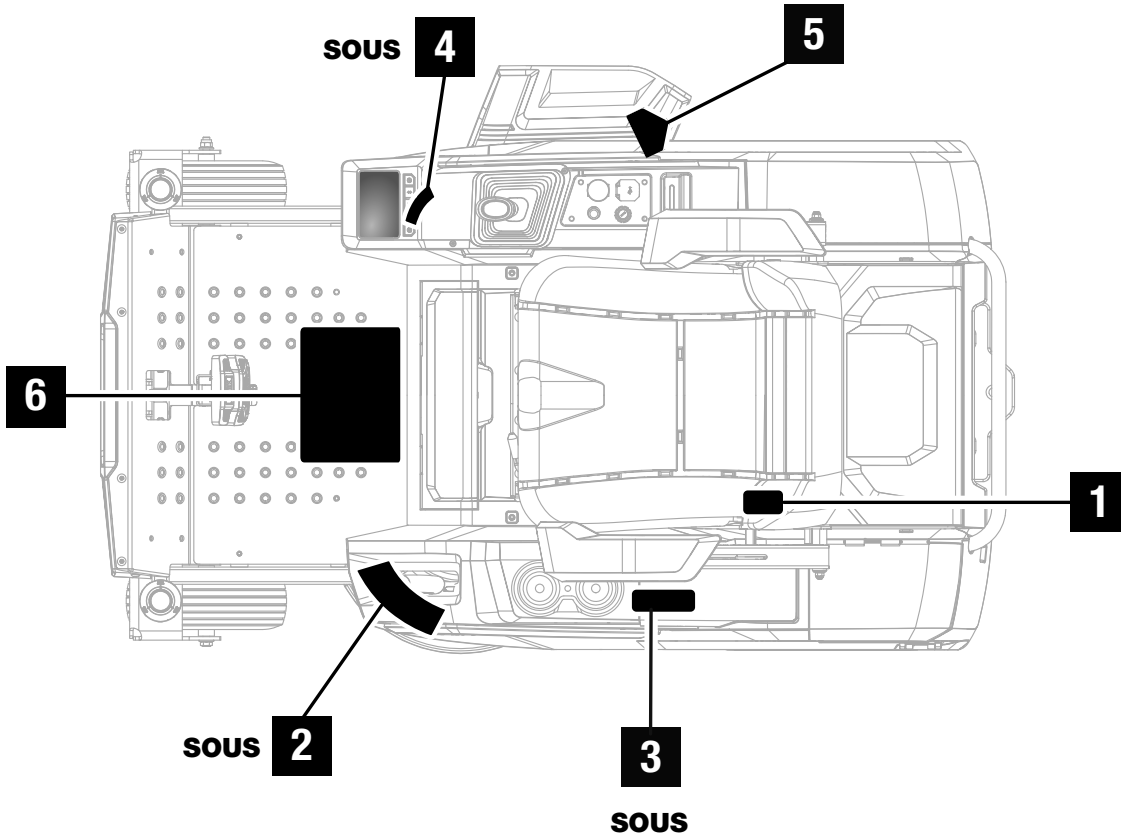
SYMBOLES

Certains des symboles ci-dessous peuvent être utilisés sur produit. Veiller à les étudier et à apprendre leur signification. Une interprétation correcte de ces symboles permettra d'utiliser produit plus efficacement et de réduire les risques.

SYMBOLE	NOM	DÉSIGNATION / EXPLICATION
	Éviter les pentes	Ne pas utiliser sur des pentes raides ou pentes de plus de 15°. La tonte sur les pentes doit se faire de haut en bas et jamais à l'horizontale.
	Tenir les enfants et les curieux à bonne distance	Tenir les enfants, les curieux et animaux à une distance de 30,5 m (100 pi) au moins.
	Ricochet	Les objets projetés peuvent ricocher et infliger des blessures ou causer des dommages matériels.
	Objets projetés	Les objets projetés peuvent ricocher et infliger des blessures ou causer des dommages matériels. N'éjectez jamais du matériel en direction de quelqu'un.
	Aucun passager	Ne jamais transporter de passagers ni aucune autre personne même si les lames ne tournent pas.
	Reculer avec prudence	Toujours regarder vers le bas et derrière vous avant et lors de manœuvres en marche arrière ou en tournant. S'assurer que les enfants, spectateurs et animaux sont absents de la zone.
	Rester loin des fossés, des décharges et de l'eau	Assurer au moins deux largeurs de tonte (2,13 m ou 7 pi) entre vous et les fossés, les terrains dénivelés, ou l'eau. Les roulettes avant tournent lorsque la tondeuse est arrêtée, même avec le frein appliqué, et peut entraîner la tondeuse sur une bordure ou dans l'eau.
	Symbole de recyclage	Ce produit utilise les piles de lithium-ion (Li-ion). Les réglementations locales ou gouvernementales peuvent interdire de jeter les piles dans les ordures ménagères. Consulter les autorités locales compétentes pour les options de recyclage et/ou l'élimination.
≡	Courant continu	Type ou caractéristique du courant
V	Volts	Tension
A	Ampères	Intensité
Hz	Hertz	Fréquence (cycles par seconde)
W	Watt	Puissance
hrs	Heures	Durée

ÉTIQUETTES DE SÉCURITÉ

Les étiquettes suivantes se trouvent sur le produit. Pour votre sécurité, veuillez réviser et comprendre toutes les étiquettes avant de démarrer le produit. Si l'une des étiquettes se décolle de l'unité ou si elle devient difficile à lire, contactez un centre de service autorisé pour obtenir une autre étiquette.



1

RYOBI RYRM8001 LITHIUM ZERO TURN MOWER
 099269009 TONDEUSE AU LITHIUM À BRAQUAGE ZÉRO
 PODADORA LITIO DE GIRO CERO

80V --- / 40V ---
 30 in. (76.2 cm) Cutting Path / Chemin de coupe / Trayectoria de corte

Use only with batteries listed in operator's manual or 80V OP801720 or 40V OP40125. For use only with 80V OP80RM charger. / Utiliser seulement avec les piles spécifiés dans le manuel d'utilisation ou OP801720 80V ou OP40125 40V. Utiliser seulement l'outil avec le chargeur OP80RM 80V. / Utilizar sólo con el baterías enumerados en el manual del operador o 80V OP801720 o 40V OP40125. Para ser usada con el cargador 80V OP80RM.

TTI Outdoor Power Equipment, Inc.
 P.O. Box 1288, Anderson, SC 29622
 1-800-525-2579 • www.ryobitools.com

COLD TIRE PRESSURE	
Front Tire	Rear Tire
19 PSI	18 PSI
131 kPa	124.1 kPa

Made in China / Fabriqué en Chine / Fabricado en China

2

⚠ DANGER

Risk of injury. Keep hands and feet away from rotating blades. Make sure mower and blades are stopped before placing hands or feet near blades. Do not operate mower unless chute deflector or entire grass catcher is in its proper place. Do not put hands or feet under or into mower when motor is running. Before mowing, clear area of objects that may be thrown by the blade.

Etiquetar a espelital provisto. Llamar a 1-800-525-2579 para su sustitución.

Assemble chute deflector to this unit before operating.

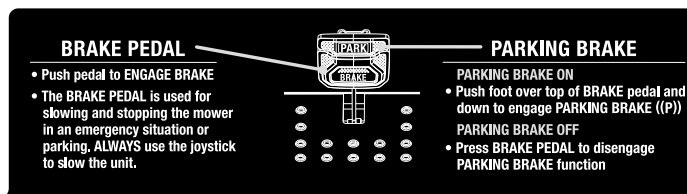
3

ÉTIQUETTES DE SÉCURITÉ

4



5



⚠ DANGER

ROTATING BLADES AND TIP OVER/ROLL OVER CAUSE DEATH OR SERIOUS INJURY - FOLLOW ALL OPERATOR'S INSTRUCTIONS

- Read operator's manual.
- Do not operate within 100 ft. of children, bystanders, or animals.
- Never carry children or anyone even when the blades are off.
- Mower can be operated in reverse and turned around with blades engaged.
- Always look down and behind you before and when maneuvering in reverse or turning around.
- Mowing in reverse is not recommended.
- Go up and down slopes, not across.
- Avoid steep slopes greater than 15° and wet slopes.
- If mower stops while going uphill, stop blades, look behind you, and back down slowly.
- Do not operate mower where it could slip or tip.
- Avoid sudden turns.
- Stay at least two mowing widths (7 feet) away from any ditches, drop-offs, or water. Front caster wheels can rotate when mower is stopped, even with brake applied, and cause mower to go over the edge or into the water.

⚠ WARNING

- Keep all safety devices, guards, shields, and switches in place and in working order.
- Know location and function of all controls.

- Before leaving operator's position, disengage blades, engage parking brake, shut off, and remove key.

- Keep hands and feet away from rotating parts.

- Remove any objects from the mowing area that can be thrown by the blades.

- Store idle ride on mower indoors.

Do not expose battery, battery compartment, or electronic components to rain, water, or liquids. Do not charge battery or expose mower to rain or damp locations.

Etiquetar a español provisto. Llame a 1-800-525-2579 para su sustitución.

NOTE : Les étiquettes de la tondeuse peuvent comprendre d'autres traductions ou des versions de traductions distinctes des étiquettes peuvent être fournies. Les étiquettes traduites peuvent être apposées sur les étiquettes collées sur la tondeuse. Toujours nettoyer et sécher la surface à coller avant d'apposer les étiquettes pour permettre une adhérence optimale.

CARACTÉRISTIQUES

CARACTÉRISTIQUES DU PRODUIT

Moteur 80 V c.c.
 Réglages de la hauteur.... 38,1 mm à 114,3 mm (1-1/2 po à 4-1/2 po)
 Grandeur des roues..... 330,2 mm (13 po) en avant
 457,2 mm (18 po) en arrière
 Dimension du plateau..... 76,2 cm (30 po)
 Rayon de braquage..... 0

Vitesse max. : Marche avant..... 11,3 km/h (7 mi/h)
 Tonte (lames activées) et conduite à basse vitesse..... 11,3 km/h (7 mi/h)
 Marche arrière 6,4 km/h (4 mi/h)
 Pression des pneus à froid..... 19 psi (131 kpa) en avant
 18 psi (124,1 kpa) en arrière
 Alimentation du chargeur 120 V, c.a. seulement, 60 Hz
 Temps de charge..... Pendant la nuit

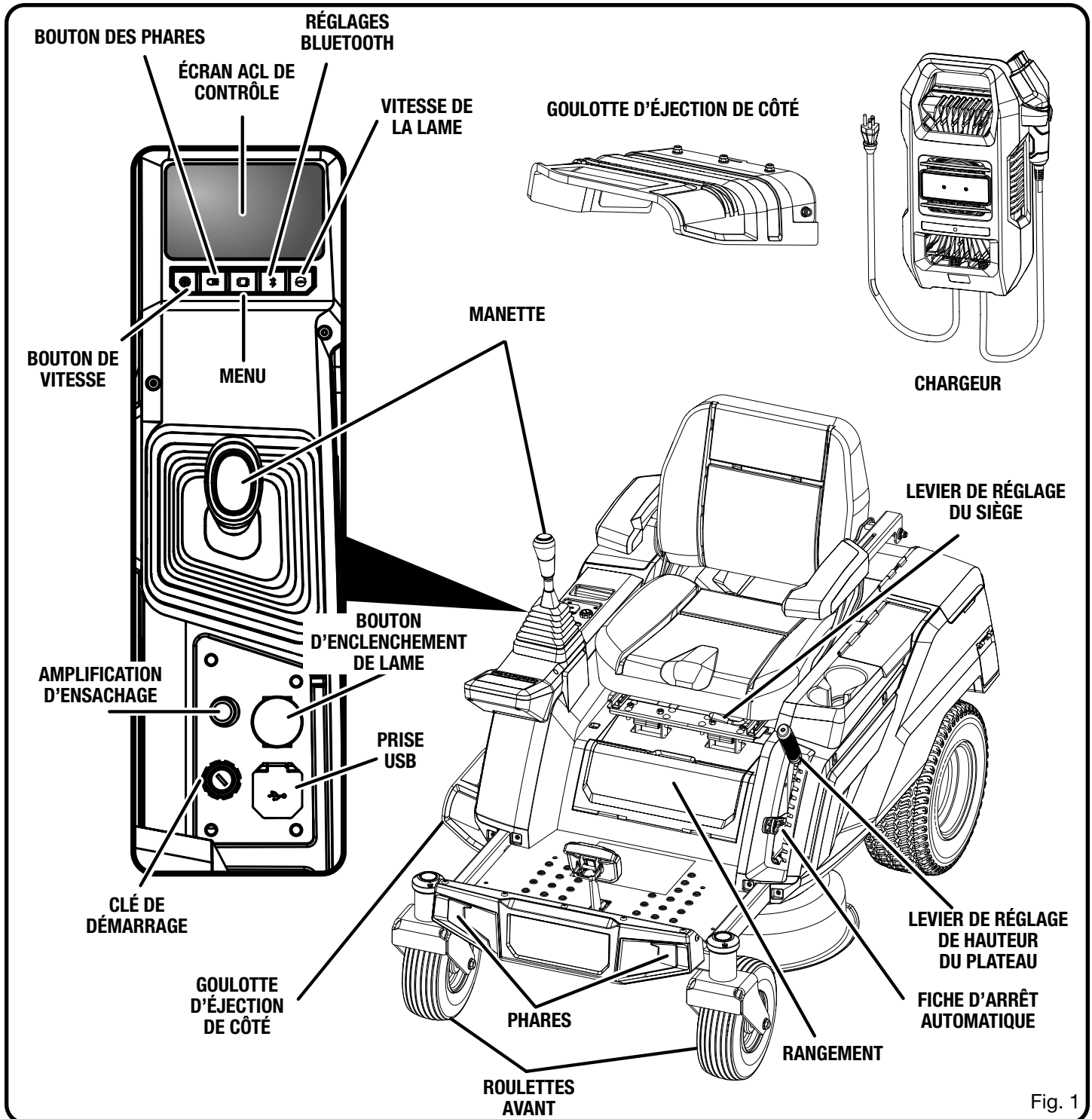


Fig. 1

CARACTÉRISTIQUES

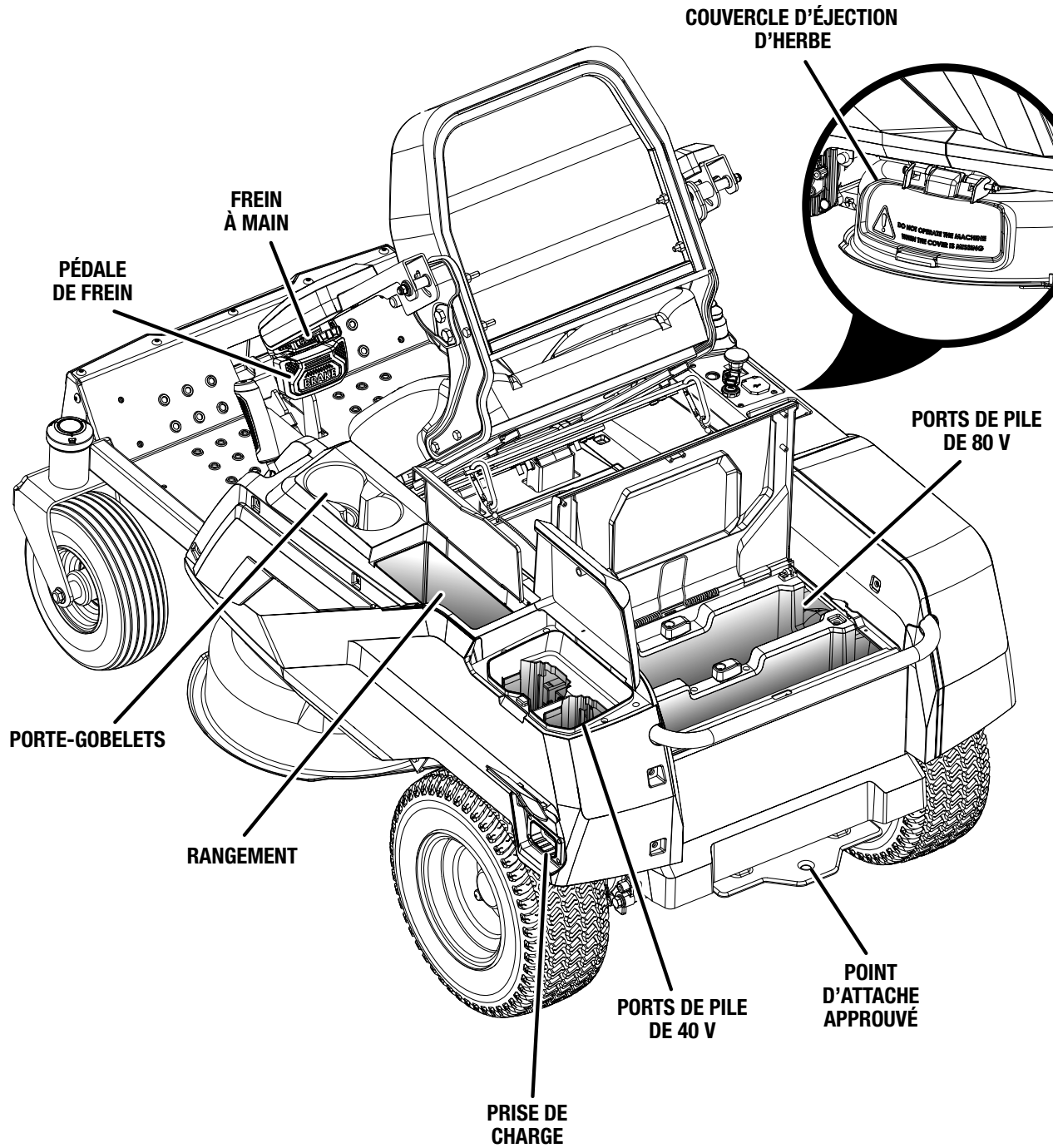


Fig. 2

CARACTÉRISTIQUES

APPRENEZ À CONNAÎTRE VOTRE TONDEUSE

Voir la figure 1.

L'utilisation sécuritaire de ce produit nécessite une compréhension de l'information sur le produit et dans le manuel de l'utilisation ainsi que la connaissance du projet à effectuer. Avant d'utiliser ce produit, familiarisez-vous avec toutes les fonctions d'utilisation et les règles de sécurité.

ACCOUDOIRS AJUSTABLES

Deux accoudoirs ajoutent du confort en soutenant vos bras pendant que vous tondez.

FICHE D'ARRÊT AUTOMATIQUE

La fiche d'arrêt automatique peut servir à maintenir la position du plateau de coupe à votre hauteur préférée ou à verrouiller le levage du plateau au moment de retirer le plateau de coupe. Voir la section Entretien pour en savoir davantage sur la manière de retirer le plateau de coupe.

BOUTON D'ENCLENCHEMENT DE LAME

Tirer le bouton d'enclenchement de lame pour mettre les lames de coupe de la tondeuse en marche. Enfoncer le bouton pour arrêter les lames de coupe.

BOUTON DE VITESSE DE LA LAME

Appuyer sur le bouton de vitesse de la lame pour augmenter ou réduire la vitesse des lames.

PÉDALE DE FREIN

La pédale de frein est utilisée pour freiner la tondeuse en situation d'urgence ou en stationnement.

CHARGEUR

Le chargeur de la tondeuse est équipé d'un crochet de suspension avec trou piriforme pratique afin de réduire l'espace de rangement. Lorsque suspendu par les fentes du trou piriforme, utiliser au moins une autre vis dans le trou de la bride d'assemblage pour fixer en place. Toujours monter de manière à ce que l'indicateur d'état à DEL du chargeur soit visible pendant la charge.

LEVIER DE RÉGLAGE DE HAUTEUR DU PLATEAU

Le levier de réglage de hauteur du plateau est utilisé pour lever ou abaisser le plateau de coupe. Placer la fiche d'arrêt automatique à la hauteur de coupe normalement souhaitée pour faciliter l'utilisation lors de la tonte.

BOUTON DE VITESSE

Appuyer sur le bouton de vitesse pour limiter la vitesse de la tondeuse lors d'une utilisation dans espaces étroits ou sur des pentes. Ce paramètre est également utile pour les utilisateurs inexpérimentés lorsqu'ils commencent à apprendre à utiliser la tondeuse.

BOUTON DES PHARES

Allumer ou éteindre les phares en utilisant le bouton des phares.

MANETTE iDRIVE

La manette iDrive permet à l'utilisateur d'utiliser facilement la tondeuse d'une seule main. Le logiciel est conçu pour corriger les pivotements graduels des roues, afin d'aider à éliminer les mottes d'herbe dans le gazon.

ÉCRAN ACL

L'écran ACL surveille et active plusieurs fonctions de la tondeuse.

FREIN À MAIN

Utiliser le frein à main pour immobiliser la tondeuse en position de freinage.

COMMUTATEUR D'ALLUMAGE AVEC CLÉ DE DÉMARRAGE

Le commutateur d'allumage est utilisé pour démarrer ou arrêter le moteur de la tondeuse. La clé de démarrage doit être insérée afin de faire fonctionner le commutateur. Lorsque la clé est à la position des accessoires, le commutateur d'allumage est aussi utilisé pour alimenter les accessoires de tondeuse offerts en option et approuvés par le fabricant.

LEVIER DE RÉGLAGE DU SIÈGE

Utiliser le levier de réglage du siège pour déplacer le siège à la position désirée.

COMPARTIMENTS DE RANGEMENT

Les compartiments de rangement offre un endroit pratique pour ranger le téléphone cellulaire.

PRISE USB

La prise USB pour la charge offre une puissance de charge de 5 VCC et jusqu'à 2 ampères pour charger un téléphone cellulaire, un lecteur MP3 ou d'autres dispositifs USB. Consulter le manuel d'utilisation du dispositif à utiliser pour connaître ses exigences électriques.

Brancher une extrémité d'un câble USB (non fourni) à votre appareil, l'autre extrémité à la prise USB pour commencer la charge du dispositif.

AVIS :

Tenter de charger des dispositifs ayant des caractéristiques électriques supérieures à 2 ampères risque d'endommager la prise USB pour la charge et/ou la tondeuse. Toujours fermer le couvercle USB lorsqu'on ne l'utilise pas pour éviter que des débris restent coincés dans le port.

NOTE : La prise USB est seulement sous tension lorsque la clé de démarrage est à la position « ON » (démarrer).



AVERTISSEMENT :

Ne jamais utiliser d'écouteurs ni aucun autre dispositif électronique comme un téléphone intelligent ou une tablette pendant la manœuvre de la tondeuse. Une manœuvre distraite représente un risque d'accident et de causer des blessures graves ou mortelles à l'opérateur et aux spectateurs.

UTILISATION

⚠ AVERTISSEMENT :

Ne laissez pas la familiarité tirée d'une utilisation fréquente de ce type de produit atténuer votre vigilance. Souvenez-vous qu'une fraction de seconde d'inattention suffit à infliger des blessures graves.

⚠ AVERTISSEMENT :

Toujours porter une protection oculaire munie d'écrans latéraux certifiée conforme à la norme ANSI Z87.1. Si cette précaution n'est pas prise, des objets peuvent être projetés dans les yeux et causer des lésions graves.

⚠ AVERTISSEMENT :

Toujours arrêter le moteur de la tondeuse et s'assurer que les lames sont immobiles et retirer le clé de démarrage de la tondeuse au moment d'assembler des pièces, d'effectuer des réglages et de procéder au nettoyage, ou lorsque la tondeuse n'est pas utilisé. Cela permet d'empêcher un démarrage accidentel pouvant entraîner des blessures graves.

⚠ AVERTISSEMENT :

Inspecter le produit afin de s'assurer qu'aucune pièce et les lames est endommagée ou si elle est usée de façon inégale ou excessive. Le fait d'utiliser la tondeuse si des pièces sont manquantes ou endommagées peut entraîner des blessures graves.

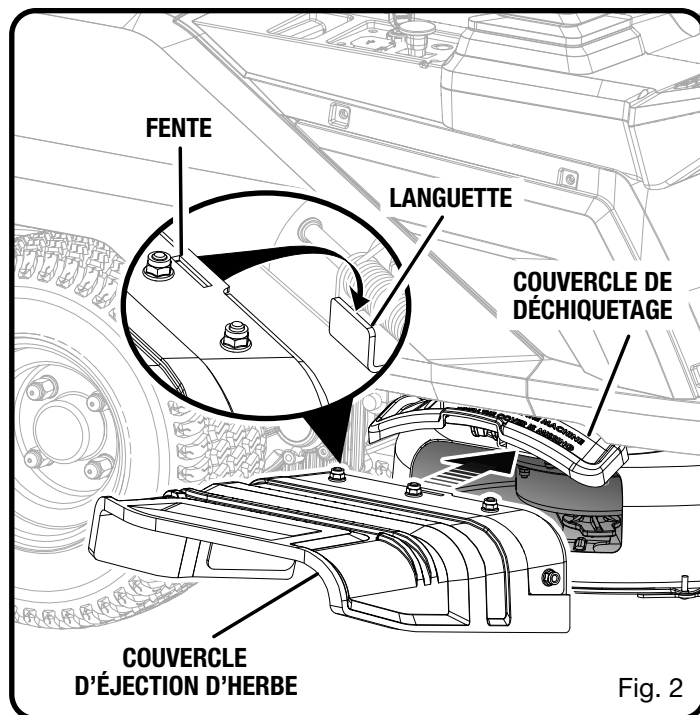
AVIS :

Avant chaque utilisation, inspecter au complet le produit afin de s'assurer qu'aucune pièce (vis, écrous, boulons, chapeaux, etc.) n'est endommagée, manquante ou desserrée. Serrer solidement toutes les pièces de fixation et les chapeaux et ne pas utiliser le produit tant que toutes les pièces manquantes ou endommagées n'ont pas été remplacées. Pour obtenir de l'aide, veuillez communiquer avec le service à la clientèle ou un centre de réparations agréé.

APPLICATIONS

Vous pouvez utiliser cet outil pour les tâches énumérées ci-dessous :

- Tondaison de votre pelouse



INSTALLATION DE LA CHUTE DE DÉCHARGE LATÉRALE

Voir la figure 2.

La tondeuse est préparée pour le déchetage avec le couvercle de déchetage à ressort déjà en place. Si une décharge latérale est souhaitée, installer la chute de décharge latérale.

- Retirer la clé de démarrage et bloc-piles.
- Soulever le couvercle de la broyeur et le maintenir en place.
- Insérer la chute de décharge latérale comme indiqué, en alignant les deux encoches sur les languettes situées de chaque côté du couvercle de déchetage.
- Abaisser le couvercle de déchetage jusqu'à ce que les languettes soient en place dans les encoches de la chute de décharge latérale.

UTILISATION

- Réinstaller la clé de démarrage et le bloc-piles dès le moment de la tonte.

AJUSTEMENT DU FREIN À MAIN

Voir la figure 3.

Pour ajuster le frein à main :

- Placer la manette en position neutre et verrouillée. (Consulter la partie **Apprendre à conduire la tondeuse** dans la section *Utilisation*.)
- Enfoncer complètement et maintenir la pédale de frein au fond.
- Appuyer avec le pied et appuyer à fond sur le frein de stationnement avec vos orteils.
- Relâcher la pédale de frein.
- **Pour déclencher le frein à main :** enfoncer puis relâcher la pédale de frein.

AVERTISSEMENT :

Ne jamais laisser la tondeuse sans surveillance pendant que le moteur tourne ou quand la clé se trouve dans l'interrupteur d'alimentation. Vérifiez que le frein à main est réglé et la clé a été supprimée. Ne pas enclencher le frein à main représente un risque de déplacement de la tondeuse et laisser la clé permettra une utilisation sans permission et causer des blessures graves.

RÉGLAGE DU SIÈGE

Voir la figure 4.

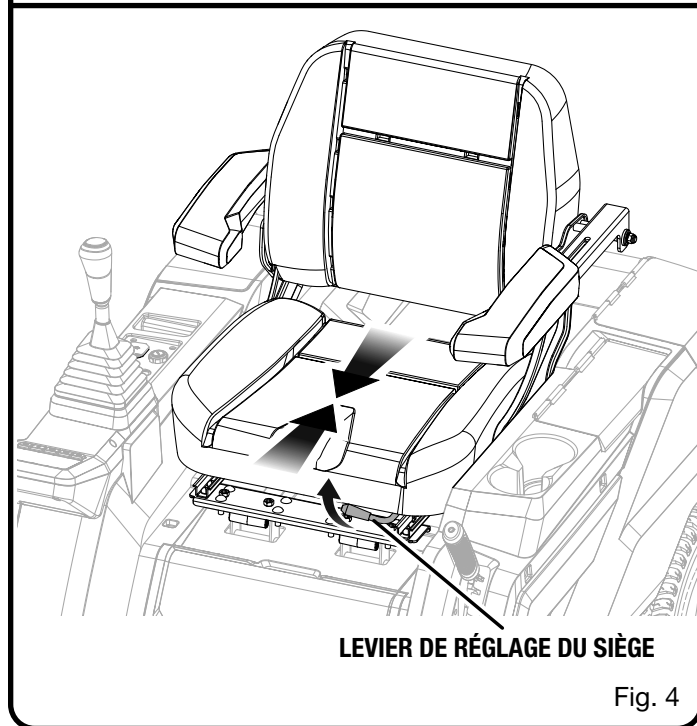
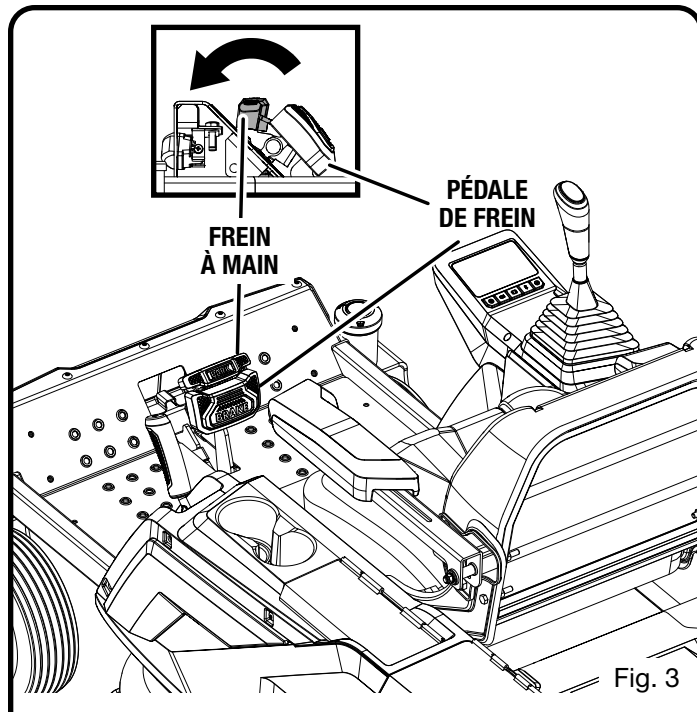
Avant d'utiliser la tondeuse, régler la position du siège en avant ou en arrière de sorte à toucher fermement la pédale de frein.

Pour déplacer le siège en avant ou en arrière :

- Tourner la clé de démarrage à la position « OFF » (arrêt) et enclencher le frein à main.
- S'asseoir sur le siège et soulever le levier de réglage du siège.
- Tout en tenant le levier, glisser le siège vers la position désirée.
- Relâcher le levier et s'assurer que le siège est bloqué à cette position avant de manœuvrer la tondeuse.

AVERTISSEMENT :

S'assurer que le siège est bloqué à cette position avant de manœuvrer la tondeuse. Un siège n'étant pas bloqué représente un risque de changement de vitesse et une perte de contrôle de la tondeuse par l'opérateur en plus de causer des blessures graves ou mortelles possibles.



UTILISATION

RÉGLAGE DES ACCOUDOIRS

Voir la figure 5.

Les accoudoirs s'ajustent vers le haut et le bas pour trouver la hauteur d'utilisation la plus confortable. L'accoudoir de gauche s'ajuste également vers l'avant et l'arrière.

Pour déplacer les accoudoirs vers le haut et le bas :

- Tourner la clé à la position « OFF » (arrêt) et enclencher le frein à main.
- Enlever les deux boulons, comme il est illustré.
- Lever ou abaisser l'accoudoir à la hauteur souhaitée, en s'assurant que les trous des boulons sont toujours alignés sur les trous du cadre du siège.
- Remettre les boulons et serrer fermement.

Pour déplacer l'accoudoir de gauche en avant ou en arrière :

- Tourner la clé à la position « OFF » (arrêt) et enclencher le frein à main.
- Desserrer le bouton et ajuster l'accoudoir à la position souhaitée.
- Serrer fermement le bouton pour sécuriser l'accoudoir en place.

⚠ AVERTISSEMENT :

S'assurer que les accoudoirs sont bien bloqués avant de manœuvrer la tondeuse. Un accoudoir n'étant pas bloqué représente un risque de changement de vitesse et une perte de contrôle de la tondeuse par l'opérateur, en plus de causer des blessures graves ou mortelles possibles.

RÉGLAGE DE HAUTEUR DU PLATEAU DE COUPE

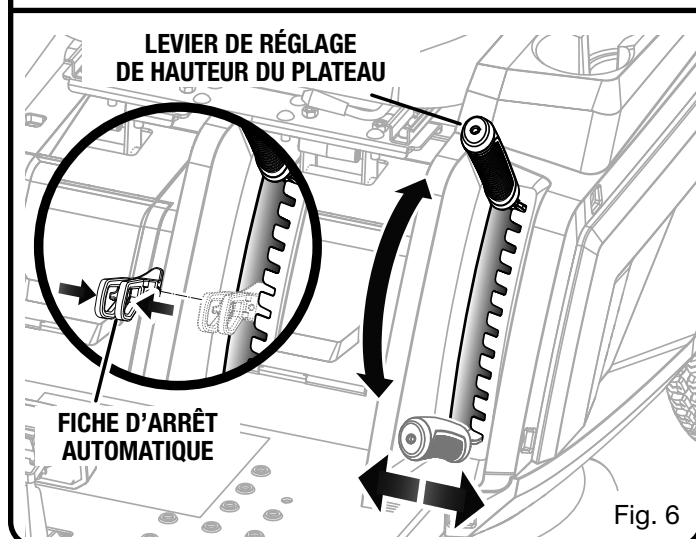
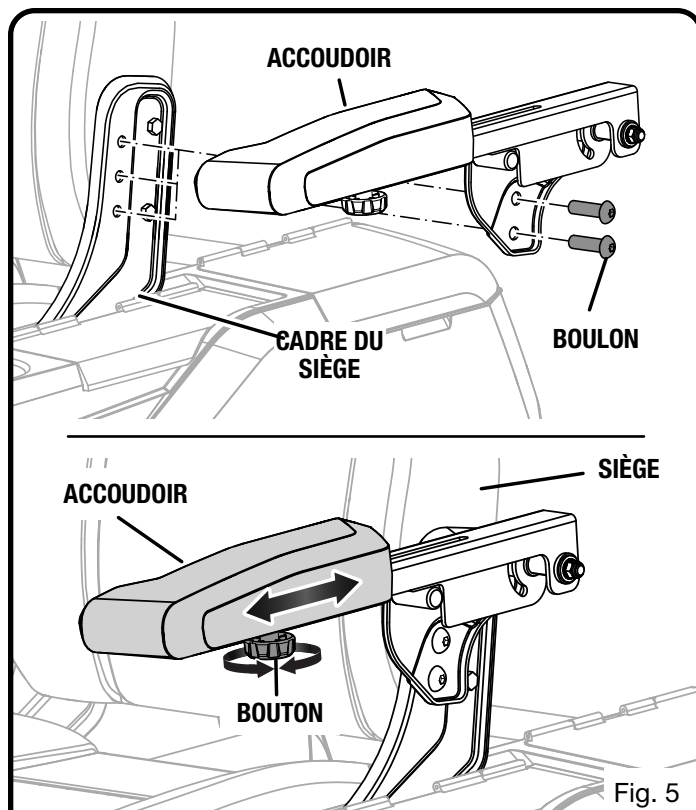
Voir la figure 4.

Avant d'utiliser la tondeuse, soulever le plateau de coupe à la meilleure position de coupe de la pelouse à tondre.

NOTE : Pour éviter le dégazonnement de la pelouse des endroits élevés, les roues du plateau de coupe devraient être positionnées à environ 12,7 mm (1/2 po) du sol lorsque la hauteur de coupe de la tondeuse est réglée. Au moment de l'expédition, les roues du plateau de coupe sont réglées à 38,1 mm (1,5 po). Selon la hauteur de coupe désirée, la hauteur des roues du plateau de coupe peut être modifiée. Pour ce faire, consulter la section **Réglage des roues du plateau de coupe** au chapitre *Entretien* de ce manuel.

Pour régler la hauteur du plateau de coupe :

- Arrêter le moteur de la tondeuse et arrêter les lames.
- Tourner la clé de démarrage à la position « OFF » (arrêt) et enclencher le frein à main.
- Pour soulever le plateau de coupe, prendre le levier de réglage de hauteur du plateau de coupe, pousser vers la gauche pour dégager de la fente, déplacer vers l'arrière de la tondeuse puis pousser vers la droite et dans la fente pour immobiliser le levier.
- Pour abaisser le plateau de coupe, prendre le levier de réglage de hauteur du plateau de coupe, pousser vers la



gauche pour dégager de la fente, déplacer vers l'avant de la tondeuse puis pousser vers la droite et dans la fente pour immobiliser le levier.

⚠ ATTENTION :

Tenir fermement le levier de réglage de hauteur du plateau de coupe pendant le réglage de hauteur du plateau et ne le relâcher que s'il est bien enclenché dans la fente désirée. Un relâchement trop rapide du levier représente un risque de pincement ou d'attraction de la main de l'opérateur.

UTILISATION

NOTE : Une fois qu'on a déterminé la hauteur de coupe appropriée pour la pelouse, installer la fiche d'arrêt automatique juste en dessous de cette position pour revenir facilement à la hauteur de tonte correcte à chaque fois.

ENLEVER ET REMETTRE UN BLOC-PILE DE 40 VOLTS

Voir la figure 7.

Il existe deux autres ports de pile de 40 volts qui peuvent prolonger l'autonomie de la tondeuse à gazon à braquage zéro. Toutefois, ces piles supplémentaires ne sont pas obligatoires pour utiliser la tondeuse à braquage zéro.

NOTE : La tondeuse à braquage zéro ne fonctionnera pas avec uniquement des piles de 40 volts. Elle doit avoir au moins une pile de 80 volts utilisable pour opérer les moteurs de l'entraînement et de la lame.

- Ouvrir les couvercles des piles sur chaque côté de la tondeuse.
- Tout en pressant le loquet de pile, saisir la poignée et lever la pile hors de son port.
- Aligner les nervures sur le bloc-piles avec les rainures de la prise de pile et insérer le bloc-piles sur la tondeuse.
- S'assurer que le loquet est fermement verrouillé en place.
- Abaisser le couvercle des piles et vérifier qu'il est bien fermé.
- Le cas échéant, répéter les étapes pour toute pile supplémentaire.

⚠ AVERTISSEMENT :

S'assurer que le loquet au bas du bloc-piles s'enclenche et que les bloc-piles est installé et fixé correctement au tondeuse avant de commencer le travail. Ne pas installer et fixer correctement les bloc-piles peut provoquer la chute de ce dernier et occasionner des blessures graves.

Pour prendre connaissance de l'ensemble des instructions relatives à la charge, consulter les manuels d'utilisation des batteries et des modèles de chargeur connexes

POUR CHARGER LA TONDEUSE

Voir la figure 8.

⚠ AVERTISSEMENT :

Ne charger les batteries de la tondeuse qu'à l'intérieur, dans un endroit sec. Ne pas charger la batterie ou exposer la tondeuse à gazon à la pluie ou dans des endroits humides. De l'eau et des liquides peuvent entrer en contact avec les composants de la tondeuse et la batterie et endommager les connexions et les composants électroniques, ce qui peut provoquer un court-circuit, un risque accru d'incendie et des blessures graves.

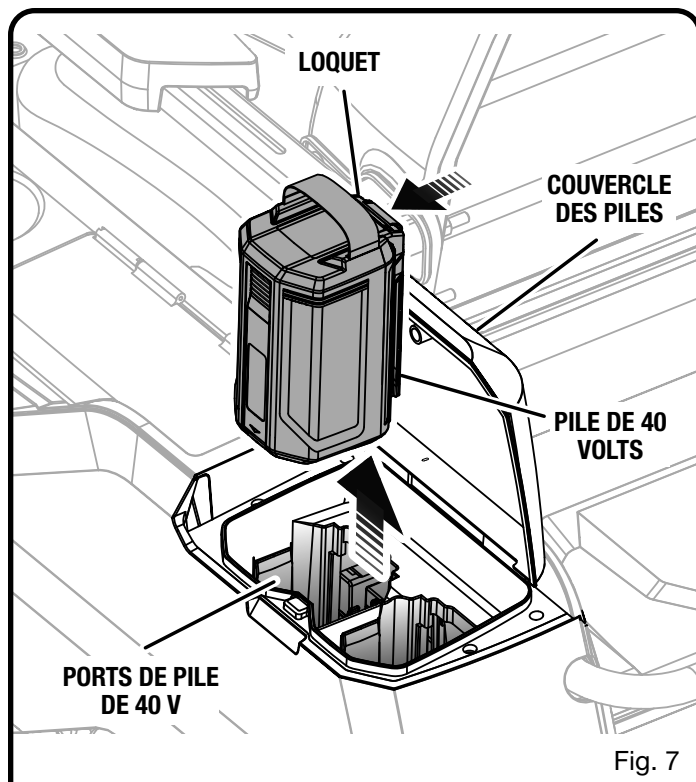


Fig. 7

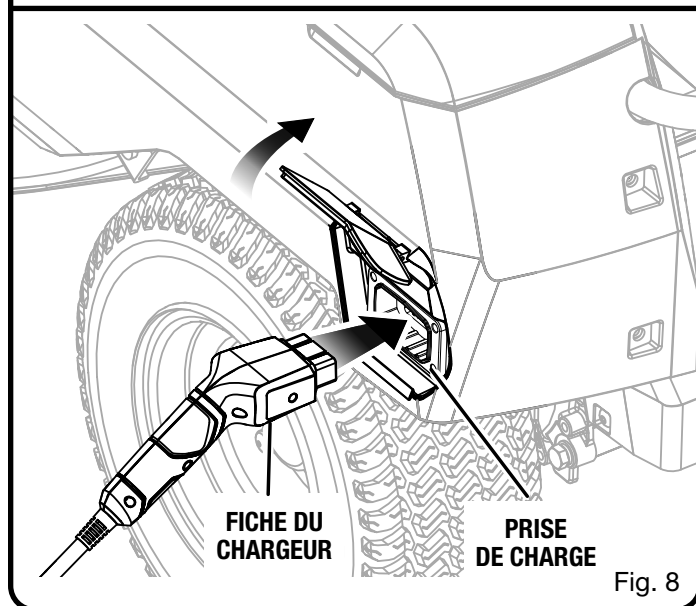


Fig. 8

Les batteries de la tondeuse doivent être chargées complète avant la première utilisation. Regarder l'indicateur de charge de batteries pour s'assurer que la charge complète des batteries est atteinte.

Pour obtenir des résultats optimaux :

- Ne pas charger dans des endroits où la température est extrêmement chaude ou froide.

UTILISATION

- Ne jamais charger une batterie gelée.
- Monter ou placer le chargeur dans un endroit bien aéré et idéalement en position horizontale et les ailettes de refroidissement dirigées vers l'extérieur.

Pour charger :

- S'assurer que les connexions du chargeur et de la tondeuse sont propres, sans saleté ni débris.
- Insérez la fiche du chargeur dans la prise en les connectant bien sur tondeuse.
- Brancher le chargeur à l'alimentation électrique est du c.a. domestique normal de 120 V, 60 Hz. La charge des batteries devrait commencer automatiquement.

NOTE : Le chargeur est équipé d'une fiche comportant une lame de mise à la terre et doit être branchée dans une prise avec mise à la terre correspondante installée et mise à la terre adéquatement et conforme aux lois et règlements locaux. Ne pas utiliser de fiche à deux broches, d'adaptateur et ne pas modifier la fiche fournie. Si la fiche ne s'insère pas dans la prise, faire installer une prise adéquate par un électricien qualifié.

- Lorsque sous tension et branché à la tondeuse, le témoin DEL du chargeur est allumé pour indiquer l'état du chargeur. Consulter le tableau suivant pour déterminer la signification des indices des DEL.
- Avant de commencer la tonte, débrancher le chargeur de la source d'alimentation puis débrancher le chargeur de la tondeuse.

AVIS :

Toujours mettre le commutateur à la position OFF (ARRÊT) et retirer la clé dès que la tonte est terminée.

AVIS :

Toujours brancher la tondeuse au chargeur lorsque l'appareil n'est pas utilisé. S'il est impossible de laisser la tondeuse branchée au chargeur, s'assurer de charger les batteries au moins une fois par mois.

SYSTÈME DE VERROUILLAGE DE SÉCURITÉ

Voir la figure 9.

Cette tondeuse est équipée d'un système de verrouillage de sécurité pour protéger l'opérateur qui arrête les lames dès que l'opérateur quitte le siège pendant que les lames tournent. Vérifier le système avant chaque utilisation pour s'assurer de son bon état de fonctionnement.

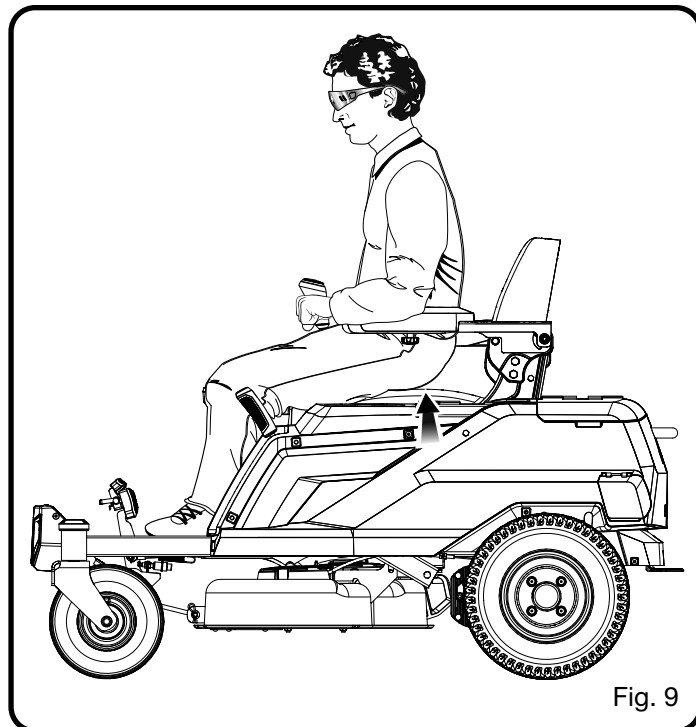


Fig. 9

Pour vérifier :

- Stationner la tondeuse sur une surface à niveau.
- Enclencher le frein à main.
- S'assurer que la manette sont au point mort et que le bouton d'enclenchement de lame est enfoncé.
- Insérer la clé de démarrage et tourner à la position « ON » (démarrer).
- Soulever le bouton d'enclenchement de lame pour activer les lames.
- Se soulever légèrement du siège sans descendre de la tondeuse.

Les lames doivent s'arrêter en 5 secondes. Si les lames ne s'arrêtent pas, communiquer avec le service à la clientèle. Ne pas faire fonctionner la tondeuse tant que le système de verrouillage de sécurité n'est pas réparé.

UTILISATION

APPRENDRE À CONDUIRE LA TONDEUSE

Voir les figures 10 à 13.

L'utilisation d'une tondeuse à braquage zéro est différente de celle d'une tondeuse autoportée standard. Les tondeuses à braquage zéro sont propulsées et les roues fonctionnent indépendamment en fonction de la position de la manette. Avant de commencer à tondre le gazon, nous encourageons vivement de rechercher un espace grand, plat et dégagé pour s'entraîner à utiliser la tondeuse à l'aide des instructions ci-dessous. Une fois qu'on peut effectuer chacune de ces manœuvres de manière confortable et fiable, on est prêt à commencer à tondre.

AVERTISSEMENT :

Éloigner toutes personnes de la zone de coupe avant de commencer la tonte. Si une personne pénètre dans la zone de coupe, arrêter immédiatement et attendre que les personnes quittent la zone avant de poursuivre la tonte.

AVERTISSEMENT :

Éviter les démarrages, arrêts et virages brusques, ainsi que la vitesse excessive, en particulier lorsqu'on apprend à conduire la tondeuse. La tondeuse peut tourner rapidement, ce qui peut entraîner une perte de contrôle et entraîner la mort, des blessures graves ou des dommages à la tondeuse. Activer la fonction de conduite à basse vitesse pour limiter la vitesse disponible jusqu'à ce qu'on soit totalement capable de faire fonctionner la tondeuse dans toutes les situations.

La manette sert à contrôler la direction de la tondeuse, ainsi que le démarrage et l'arrêt.

AVERTISSEMENT :

Lorsque la tondeuse est en mouvement, garder la main sur la manette en tout temps. Ne pas relâcher la manette pour ralentir ou arrêter la tondeuse. Relâcher la manette alors que la tondeuse bouge représente un risque de perte de contrôle et pourrait entraîner des blessures graves ou mortelles et endommager la tondeuse.

- Au moment d'entrer sur le siège et de le quitter, la manette doit toujours être en position **neutre** (centrée et appuyée en position verrouillée).
- Une fois qu'on est assis et prêt à commencer, appuyer sur la pédale de frein puis la relâcher pour s'assurer que le frein de stationnement est desserré.
- Vérifier que la manette est en position **neutre**. La position centrale sert également à amener la tondeuse à un arrêt graduel.
- Insérer la clé de démarrage et tourner à la position « ON » (démarrer).

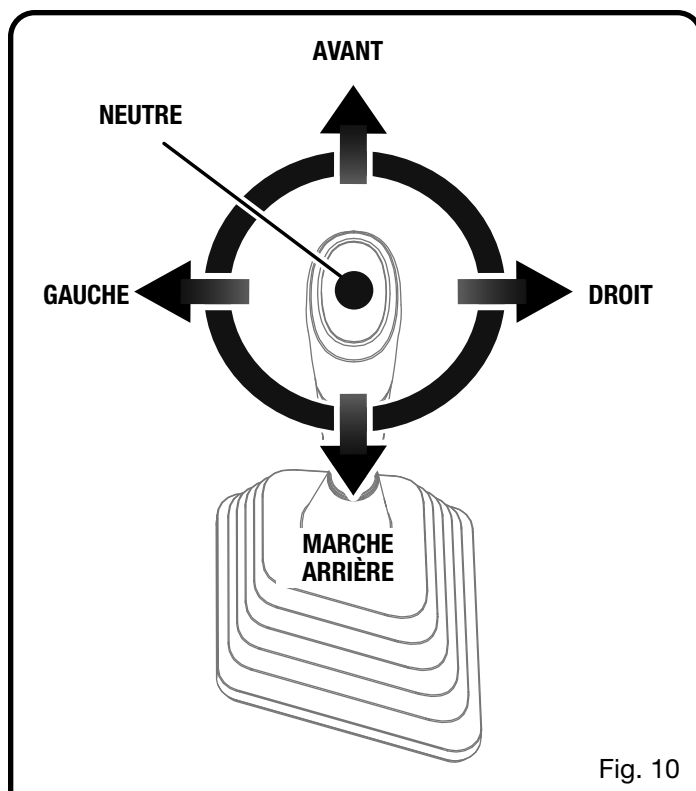


Fig. 10

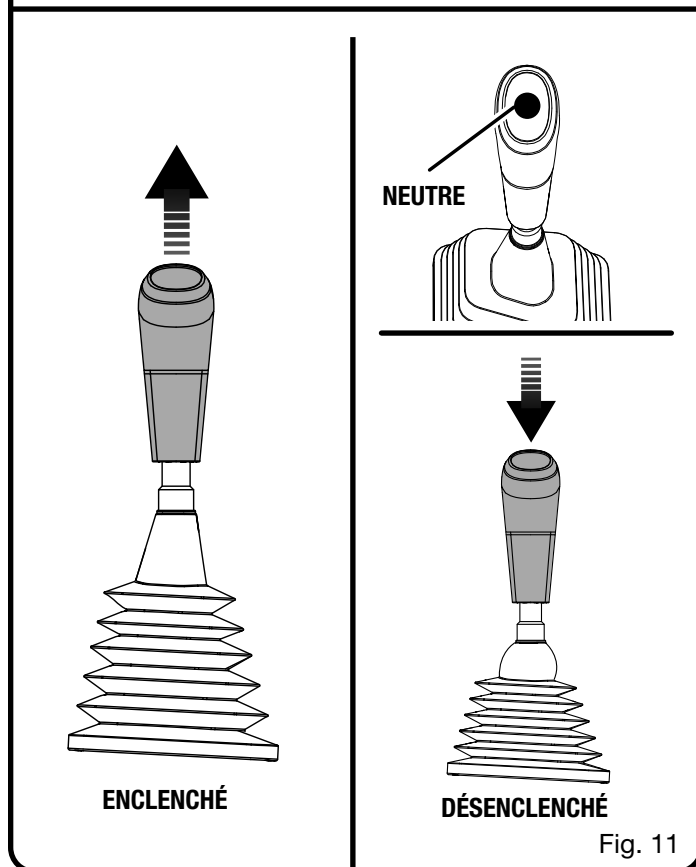
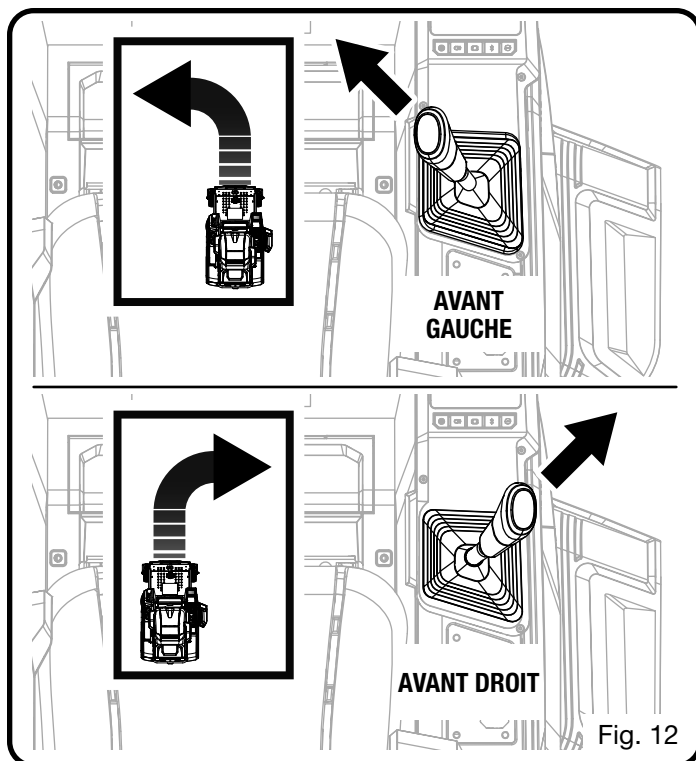


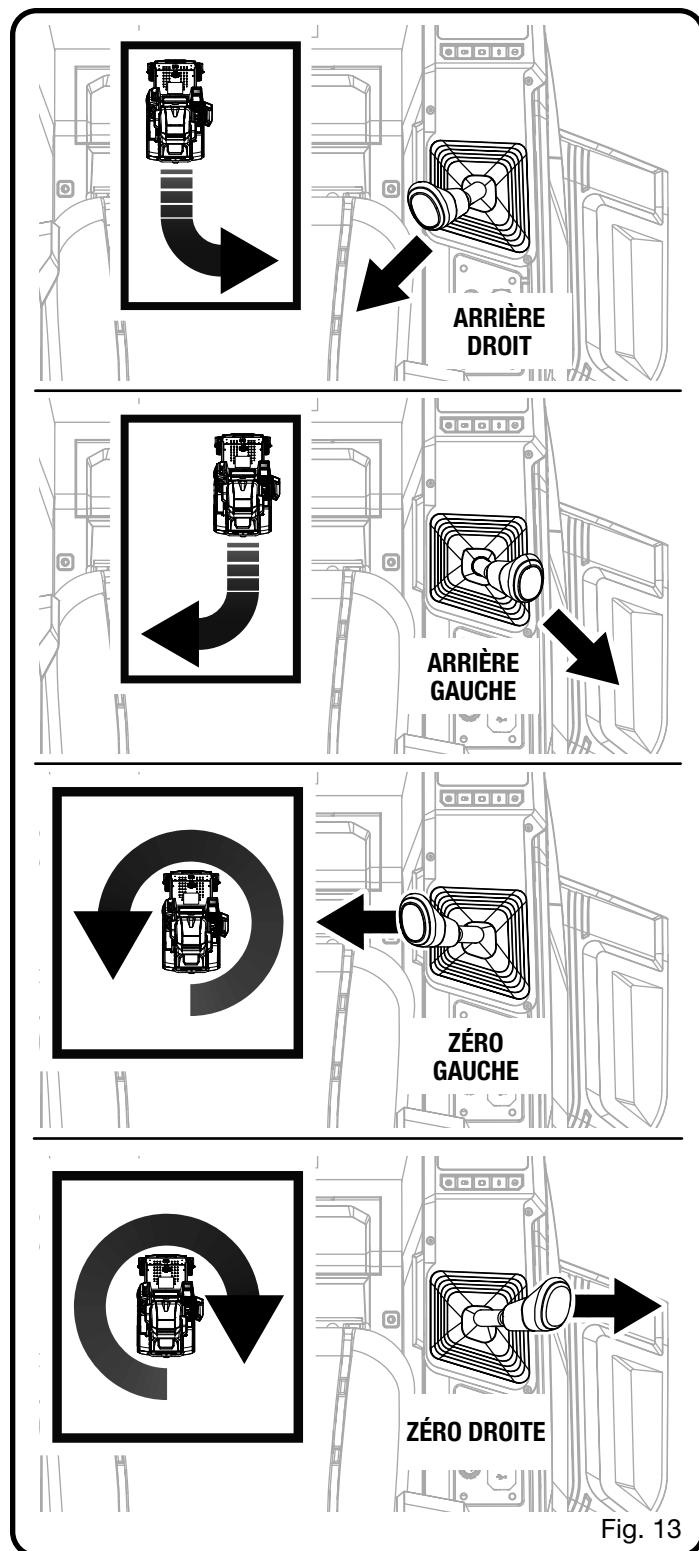
Fig. 11

UTILISATION



- Sélectionner la vitesse souhaitée (élevée, moyenne ou basse) sur l'écran ACL.
- Soulever la manette pour la dégager de sa position neutre verrouillée. Pousser la manette vers l'avant (après la position neutre) pour conduire la tondeuse en marche **avant**, en ligne droite. Plus la manette est poussée vers l'avant, plus la tondeuse ira vite. Pour ralentir, tirer la manette vers la position neutre. Pour s'arrêter, remettre la manette en position neutre.
- Tirer la manette vers l'arrière (avant la position neutre) pour conduire la tondeuse en marche **arrière**, en ligne droite. Plus la manette est tirée vers l'arrière, plus la tondeuse ira vite. Pour ralentir, repousser la manette vers la position neutre. Pour s'arrêter, remettre la manette en position neutre.
- Pour effectuer des virages, pousser la manette dans le sens du virage souhaité. En marche avant ou arrière, l'angle de la manette contrôle le sens du virage.
- Pour effectuer un virage zéro, ralentir, mais s'assurer que les roues arrière sont toujours en mouvement. Ensuite, déplacer la manette directement à droite ou à gauche. Cela détermine le sens de rotation du virage.

NOTE : Effectuer des virages à zéro à basse vitesse pour éviter d'endommager la pelouse.



UTILISATION

UTILISATION DE LA TONDEUSE

Voir les figures 14 et 15.

AVERTISSEMENT :

Éloigner toutes personnes de la zone de coupe avant de commencer la tonte. Si une personne pénètre dans la zone de coupe, arrêter immédiatement attendre que les personnes quittent la zone avant de poursuivre la tonte.

Avant de démarrer la tondeuse :

- S'assurer qu'aucun enfant, spectateur ou animal n'est présent.
- Enlever tout objet de la zone de coupe pouvant être projeté par les lames de la tondeuse.
- Vérifier le fonctionnement des freins.
- Vérifier la pression des pneus.
- S'assurer que toutes les pièces sont serrées.
- S'assurer que tous les protecteurs sont installés et fonctionnent correctement.
- Nettoyer les débris sur la tondeuse.
- Vérifier le système de verrouillage de sécurité.
- Régler le siège à la position désirée.
- Vérifier le niveau de charge de la batterie.

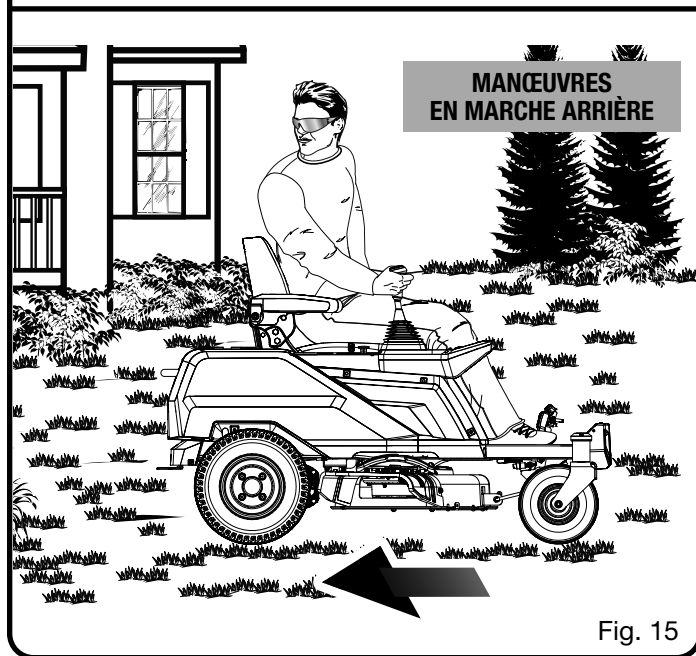
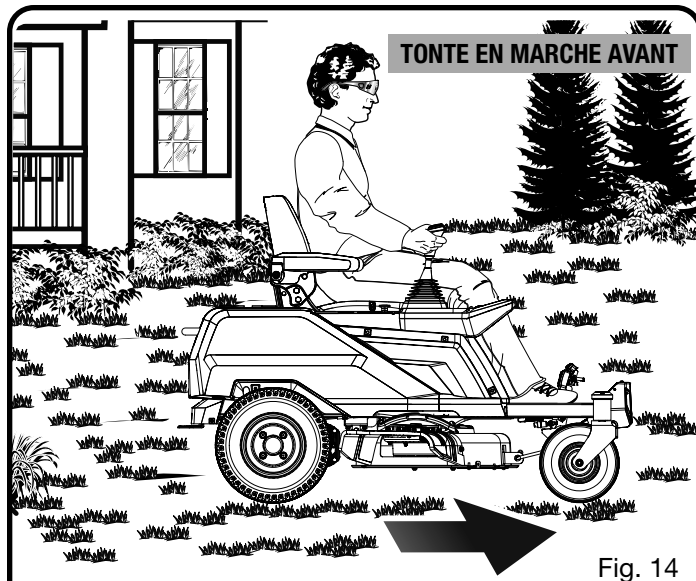
AVIS :

Les lames s'arrêteront automatiquement dès que le niveau de charge de la batterie atteint la zone rouge sur l'indicateur de charge de la batterie. Retourner immédiatement pour charger. Continuer à tondre lorsque le niveau de charge de la batterie est dans la zone rouge peut rendre le retour difficile pour la charge.

NOTE : Si la tondeuse se retrouve trop éloignée du chargeur, il sera nécessaire de placer la manette au neutre et de pousser la tondeuse jusqu'à l'endroit où devra être effectuée la charge.

Pour tondre :

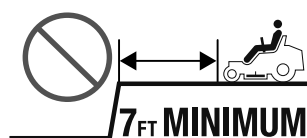
- Lever le plateau de coupe de la tondeuse jusqu'à sa plus haute position.
- Vérifier que la manette est en position neutre.
- Insérer la clé de démarrage et tourner à la position « ON » (démarrer).
- Relâcher le frein à main.
- Placer la manette en position neutre, puis conduire jusqu'à l'endroit de la tonte à effectuer.
- Arrêter le moteur de la tondeuse, tourner la clé à la position « OFF » (arrêt) et enclencher le frein à main.
- Abaisser le plateau de coupe à la hauteur désirée.
- Tourner la clé de démarrage à la position « ON » (démarrer) puis relâcher le frein à main.



- Soulever le bouton d'enclenchement de lame et tondre selon le cas.

DANGER :

Assurer au moins deux largeurs de tonte (2,13 m ou 7 pi) entre vous et les fossés, les terrains dénivelés, ou l'eau. Les roues pivotantes avant peuvent pivoter lorsque la tondeuse est arrêtée, même avec le frein serré, et faire en sorte que la tondeuse passe par-dessus bord ou dans l'eau, entraînant la mort ou des blessures graves.



UTILISATION

⚠ AVERTISSEMENT :

La prudence est de mise lors du passage de la tondeuse sur des allées de pierre ou voies d'accès. Avant de traverser, arrêter les lames et lever le plateau de coupe à la position la plus haute afin d'éviter toute possibilité de ricochet. Conduire lentement pour éviter la perte de traction et de contrôle.

⚠ AVERTISSEMENT :

Ne pas tondre en marche arrière sauf si vraiment nécessaire. Toujours regarder vers le bas et derrière vous avant et pendant la marche arrière et s'assurer que les enfants, spectateurs et animaux sont absents de la zone. Se rappeler qu'une fraction de seconde d'inattention suffit pour causer des blessures graves ou mortelles.

⚠ AVERTISSEMENT :

Ne pas essayer de changer de direction soudainement entre l'avant et l'arrière lorsque la tondeuse est en mouvement. Toujours effectuer un arrêt complet avant de changer la direction de la tondeuse pour éviter toute perte de contrôle et éviter des blessures graves, voire mortelles.

Lorsque la tonte est terminée :

- Arrêter la tondeuse sur une surface plane et à niveau en tirant la manette ensemble vers la position neutre. Ne pas arrêter la tondeuse sur une pente.
- Enfoncer le bouton d'enclenchement de lame pour arrêter les lames.
- Mettre la manette en position neutre.
- Enclencher le frein à main.
- Tourner la clé de démarrage à la position « OFF » (arrêt).
- Retirer la clé de démarrage si on laisse la tondeuse sans surveillance, même pour une courte période.

⚠ AVERTISSEMENT :

Si la tondeuse émet un bip sonore après votre départ de la siège, vérifiez que le frein à main est réglé et la clé a été supprimée. Ne pas enclencher le frein à main représente un risque de déplacement de la tondeuse et laisser la clé permettra une utilisation sans permission et causer des blessures graves.

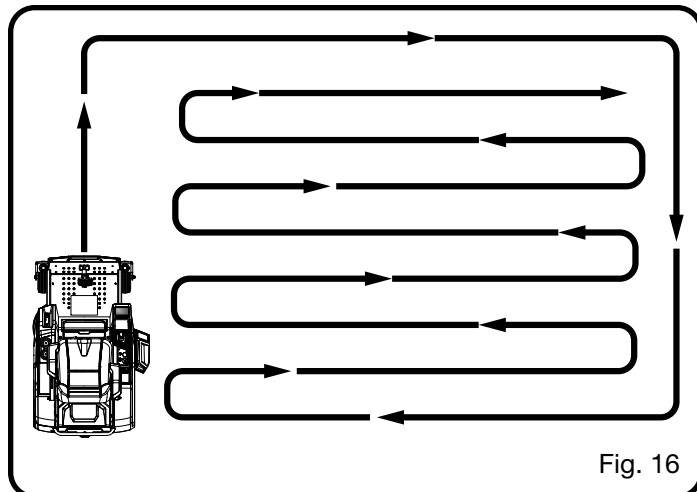


Fig. 16

CONSEILS DE TONDAISON

Voir la figure 16.

- Garder les lames de tondeuse affûtées.
- Assurez-vous que la pelouse est libre des pierres, des branches, des fils, jouets, arbres produisant des noix, branches d'arbre et d'autres objets qui pourraient endommager le moteur ou les lames de la tondeuse. Ne pas faire passer la tondeuse par-dessus les bornes de propriété ou autres poteaux en métal. De tels objets pourraient endommager la lame ou être accidentellement projetés par la tondeuse dans toutes directions et causer des blessures graves à l'opérateur ou aux autres.
- Pour une pelouse en santé, coupez toujours un-tiers ou moins de la longueur totale de l'herbe.
- Lors de la tonte de grands espaces, commencer en tournant vers la droite de manière à ce que l'herbe coupée soit éjectée loin des buissons, clôtures, allées, voies d'accès, etc. Après un ou deux tours, faire des allers-retours à travers la pelouse, en tournant sur les bords de l'herbe déjà tondue.

AVIS :

Pour éviter d'endommager la pelouse, utiliser une vitesse lente en tournant plutôt que de virer dans un angle restreint.

- Quand vous coupez de l'herbe épaisse, tondez plus lentement pour permettre à l'outil à couper plus efficacement et à éjecter les brins de façon appropriée.
- De l'herbe nouvelle ou épaisse peut nécessiter une coupe plus étroite ou augmentez la hauteur de coupe.
- S'assurer que le plateau de coupe et la goulotte d'éjection de côté ne sont pas obstrués. Retirer les brins d'herbe coupés, feuilles, saletés et autres débris accumulés avant et après chaque utilisation. Ne pas nettoyer à l'aide d'un boyau d'arrosage.

UTILISATION

NOTE : Toujours arrêter la tondeuse, permettre aux lames de s'arrêter complètement et retirer la clé de démarrage avant de nettoyer le dessous de la tondeuse.

UTILISATION SUR LES PENTES

Voir la figure 17.

⚠ DANGER :

Les pentes représentent un facteur majeur des accidents causés par la perte de contrôle ou le renversement et sont cause la mort ou des blessures graves. L'utilisation de la tondeuse sur les pentes nécessite des précautions spéciales. Si vous n'êtes pas confortable sur une pente, ne la tondez pas. Pour votre sécurité, n'essayez pas de tondre des pentes raides de plus de 15 degrés. Ne pas utiliser en marche arrière dans une pente, à moins que la tondeuse s'arrête en montant. Dans cette situation, arrêter les lames, regarder derrière et reculer lentement. Copier ou découper l'illustration du guide de pente plus loin dans ce manuel et l'utiliser pour déterminer si la pente est trop raide pour être tondu en toute sécurité.

- Tondre les pentes de haut en bas et non pas à l'horizontale.
- Ne pas tondre une pelouse humide. L'humidité de la pelouse peut causer la perte de traction des pneus ou le glissement sur les pentes même si les freins fonctionnent correctement.
- Faites attention aux trous, ornières, roches, objets cachés ou bosses qui peuvent provoquer un glissement ou une chute. De l'herbe haute peut cacher des obstacles. Enlevez tous les objets tels que les roches, les racines, etc. qui peuvent être projetés par la lame ou qui pourraient provoquer une chute.
- Ne tondez pas près des dépressions, des fossés ou des berges.
- Conduire lentement et ne pas effectuer de changements de vitesse ou de direction brusques.
- Éviter les arrêts sur les pentes le plus souvent possible. Lorsqu'un arrêt est inévitable, s'assurer d'enclencher le frein à main. Au moment de poursuivre la tonte, démarrer en utilisant la vitesse la plus basse possible. Si un virage est nécessaire, exercer une extrême prudence lors du changement de direction et toujours effectuer le virage au pied de la pente.
- Ne jamais tenter de stabiliser la tondeuse sur une pente en mettant votre pied au sol pendant l'opération.
- Toujours utiliser les leviers de commande et les freins lors de la descente d'une pente. Ne pas utiliser la position « N » (neutre) pour laisser la tondeuse descendre la pente.
- Dès que la perte de traction des pneus survient pendant la tonte sur une pente, arrêter les lames et descendre lentement et prudemment la pente en ligne droite.

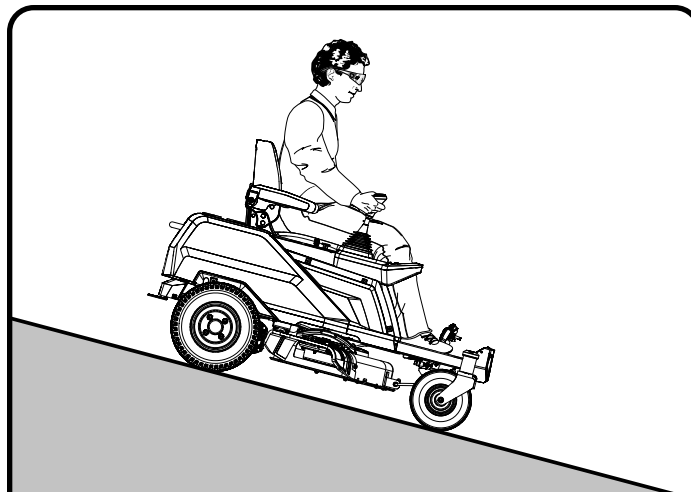


Fig. 17

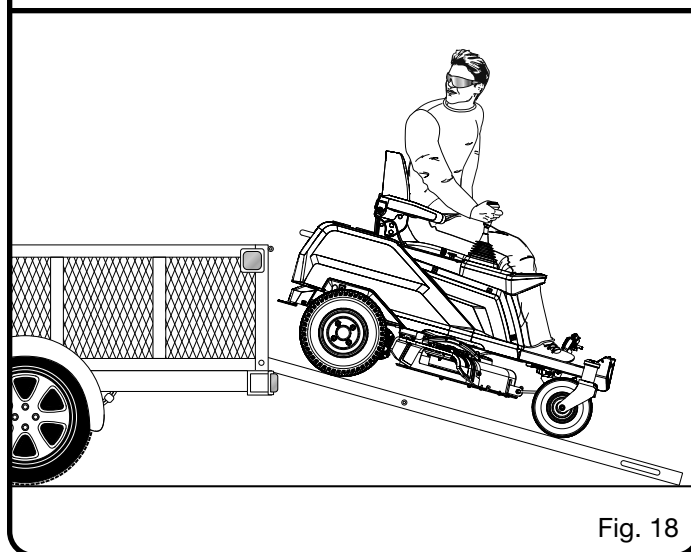


Fig. 18

- Si la tondeuse arrête pendant qu'on monte une pente, arrêter les lames, regarder derrière soi et reculer lentement.

TRANSPORT DE LA TONDEUSE

Voir la figure 18.

⚠ AVERTISSEMENT :

Faire très attention lors du chargement ou du déchargement de la machine sur une remorque. Appuyer sur le bouton de conduite à basse vitesse et déplacer avec précaution les leviers de commande au besoin pour contrôler la vitesse. Toujours reculer sur la remorque lors du chargement. Lors du chargement ou du déchargement de la tondeuse, éviter de dépasser l'angle d'opération de 15° recommandé. Si vous ne suivez pas ces instructions, vous pourriez perdre le contrôle de la machine, ce qui peut causer des blessures graves, des dommages ou même la mort.

UTILISATION

AVERTISSEMENT :

Être prudent lors du chargement ou du déchargement de la tondeuse à une remorque. S'assurer que le plateau de coupe est levé à la position la plus haute de manière à éviter son coincement sur la rampe. Les roues de la tondeuse peuvent se retrouver à l'extérieur de la rampe ou de la remorque et causer le pivotement ou le basculement de la tondeuse ce qui représente un risque d'écrasement pouvant causer des blessures graves ou mortelles.

- Stationner la tondeuse sur une surface à niveau.
- Lever le plateau de coupe à la position la plus haute.
- Positionner et sécuriser la rampe à la remorque selon les instructions du fabricant.

NOTE : Nous recommandons l'utilisation d'une rampe de chargement pleine largeur ayant au moins 304,8 mm (1 pi) de largeur de plus que la tondeuse afin de minimiser le risque de sortie des roues hors de la rampe.

- Conduire lentement la tondeuse en arrière sur la rampe et dans la remorque.
- Abaisser complètement le plateau de coupe.
- Enclencher le frein à main.
- Arrêter le moteur de la tondeuse et retirer la clé.
- Arrimer fermement la tondeuse avec des courroies ou des câbles pour éviter tout mouvement pendant le transport.

AVERTISSEMENT :

Pour éviter le démarrage ou d'un mouvement accidentel pouvant causer des blessures graves, toujours retirer la clé de démarrage et enclencher le frein à main lorsque du transport de la tondeuse.

ENTRETIEN

⚠ AVERTISSEMENT :

Lors de réparation du produit, arrêter le moteur de la tondeuse sur une surface à niveau, attendre que les lames s'arrêtent complètement, enclencher le frein à main puis retirer la clé de démarrage afin d'éviter un démarrage accidentel et des blessures graves.

⚠ AVERTISSEMENT :

Toujours porter une protection oculaire munie d'écrans latéraux certifiée conforme à la norme ANSI Z87.1. Si cette précaution n'est pas prise, des objets peuvent être projetés dans les yeux et causer des lésions graves.

⚠ AVERTISSEMENT :

Utiliser exclusivement des pièces autorisées pour les réparations. L'usage de toute autre pièce pourrait créer une situation dangereuse ou endommager le produit.

⚠ AVERTISSEMENT :

Respectez strictement toutes les spécifications de couplage de la clé dynamométrique. Ne pas le faire pourrait causer de graves blessures corporelles.

AVIS :

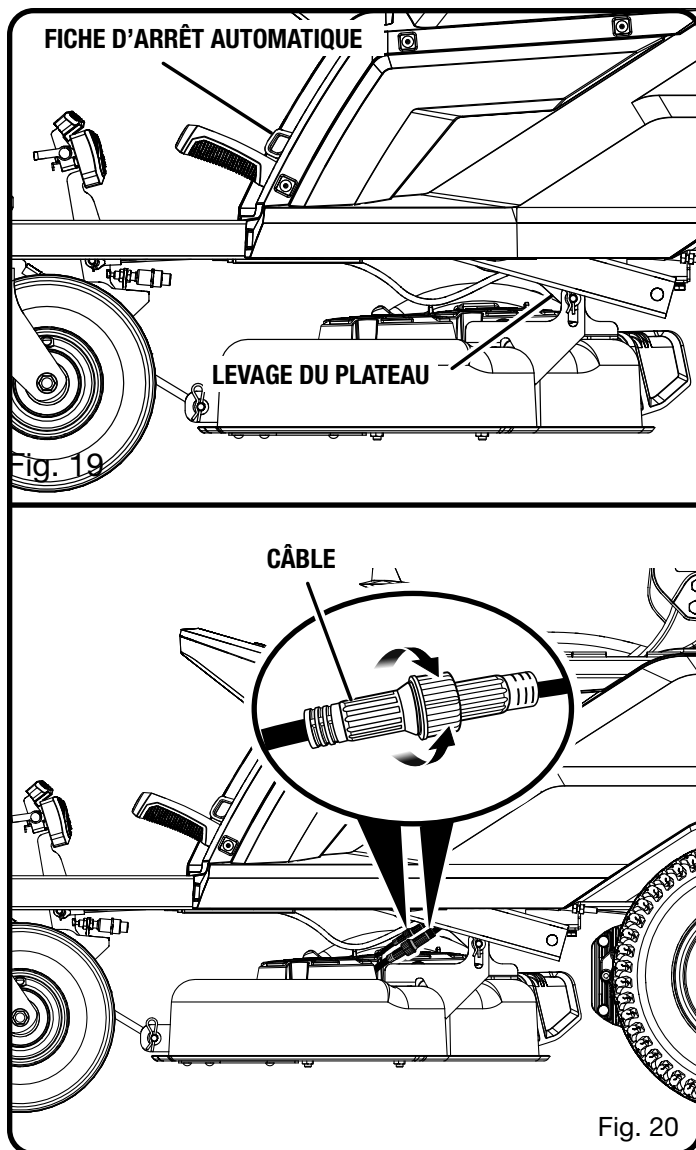
Inspecter périodiquement au complet le produit afin de s'assurer qu'aucune pièce (vis, écrous, boulons, chapeaux, etc.) n'est endommagée, manquante ou desserrée. Serrer solidement toutes les pièces de fixation et les chapeaux et ne pas utiliser le produit tant que toutes les pièces manquantes ou endommagées n'ont pas été remplacées. Pour obtenir de l'aide, veuillez communiquer avec le Service à la clientèle ou un centre de réparations agréé.

ENTRETIEN GÉNÉRAL

Évitez d'utiliser des solvants quand vous nettoyez des pièces en plastique. La plupart des plastiques résistent mal aux plusieurs types de solvants de commerce et peuvent être endommagés par leur utilisation. Utilisez des chiffons secs pour enlever la saleté, la poussière, l'huile, la graisse, etc.

⚠ AVERTISSEMENT :

Ne permettez jamais à ce que les liquides pour freins, la gazoline, les produits à base de pétrole, les huiles dégriffantes, etc entrent en contact avec les pièces en plastique. Les produits chimiques peuvent endommager, affaiblir ou détruire le plastique ce qui peut résulter en des blessures graves.



Enlevez toute accumulation d'herbe ou des feuilles sur ou autour du couvercle du moteur. Essuyez la tondeuse avec un chiffon sec à l'occasion. N'utilisez pas de l'eau.

DÉMONTAGE DU PLATEAU DE COUPE

Voir les figures 19 à 21.

Si désiré, démonter le plateau de coupe de la tondeuse pour faciliter le remplacement des lames.

⚠ AVERTISSEMENT :

Porter des gants robustes en tout temps au moment de manipuler le plateau de coupe. Maintenir les mains et les doigts à l'écart des points de pincement.

- Placer la tondeuse sur une surface plate. S'assurer que les bras de contrôle sont en position neutre et que le bouton d'engagement de la lame est abaissé.

ENTRETIEN

- Arrêter le moteur, retirer la clé de démarrage et enclencher le frein à main.
- Débrancher les câbles raccordant le plateau de coupe à la tondeuse.
- Abaisser le plateau de coupe à la position la plus basse.
- Retirer les 3 goupilles d'attelage et les rondelles fixant le plateau de coupe.
- Glisser le plateau hors du dessous de la tondeuse.
- Inverser la procédure pour réinstaller le plateau de coupe à la tondeuse.

REPLACEMENT DE LES LAMES

Voir les figures 22 et 23.

AVERTISSEMENT :

Utiliser seulement les lames de rechange et les boulons de lame autorisés par le fabricant de la tondeuse autoportée. Des lames ou boulons pour lames non autorisés pourraient briser et causer un délogement de la lame pouvant provoquer des blessures graves ou des dommages à la tondeuse.

NOTE : Assurez-vous que toutes les pièces soient replacées dans l'ordre exact dans lequel elles ont été enlevées.

- Placer la tondeuse sur une surface plate. S'assurer que les leviers de commande sont en position ouverte et que le bouton d'enclenchement de lame est enfoncé.
- Arrêtez le moteur, retirez la clé de démarrage et enclencher le frein à main.
- Lever le plateau de coupe à la position la plus haute pour pouvoir accéder aux lames.

NOTE : Si nécessaire, soulever la tondeuse en la plaçant sur un pont élévateur ou en utilisant un vérin de levage et des chandelles afin d'avoir accès aux lames.

AVERTISSEMENT :

Lorsque la tondeuse est soulevée afin de pouvoir accéder aux lames, s'assurer que la tondeuse est correctement immobilisée et que le frein à main est enclenché avant d'effectuer le changement de lames. Ne pas prendre cette précaution représente un risque de chute de la tondeuse et causer possiblement des blessures graves ou mortelles.

- Mettez une pièce de bois entre la lame et le châssis de la tondeuse pour empêcher la lame de tourner.
- Desserrez l'écrou de la lame en le tournant dans le sens antihoraire (par rapport au bas de la tondeuse) en utilisant une clé de 15 mm ou une douille (non fournies).
- Enlevez l'écrou de lame, la rondelle élastique et la lame.
- Placez la nouvelle lame sur l'arbre contre les tiges du lame correspondant. S'assurer que la lame est bien appuyée

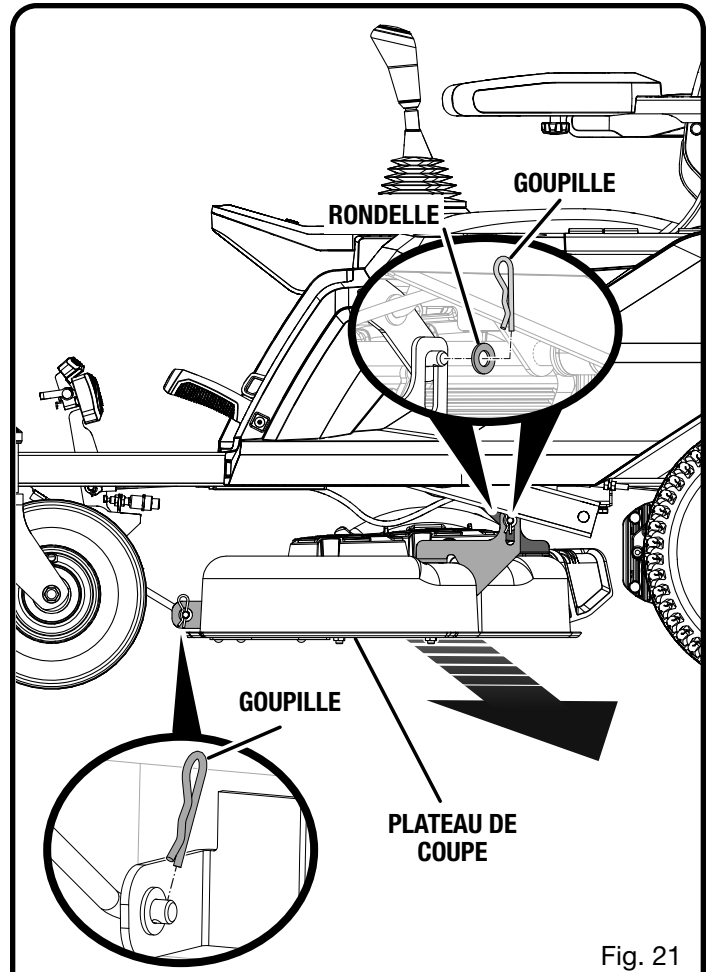


Fig. 21

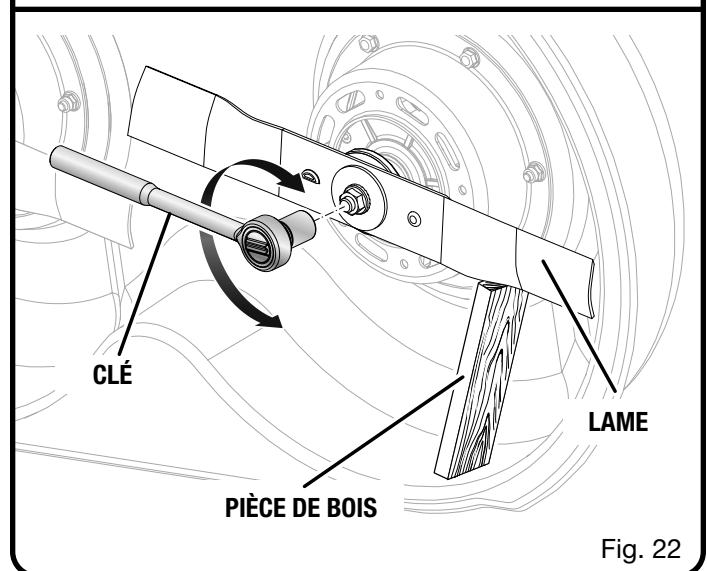


Fig. 22

ENTRETIEN

sur l'arbre. Celui-ci doit passer dans le trou central de la lame et les deux tiges pour lame doivent s'insérer dans leur trou respectif sur la lame. Assurez-vous que les bouts incurvés soient orientés en direction du châssis de la tondeuse et non en direction du sol. Une fois bien appuyée, les côtés droits doivent être alignés et la lame devrait être à plat contre les tiges du lame.

- Remettez la rondelle élastique, puis vissez l'écrou de lame sur l'arbre et serrez à main.
- Serrez l'écrou de lame sens horaire en utilisant une clé dynamométrique (non fournie) pour s'assurer que l'écrou est bien serré. Le couple de serrage recommandé pour l'écrou de lame est de 600-650 po-lb.

⚠ AVERTISSEMENT :

S'assurer que la lame est assise correctement et que l'écrou de lame est serré au couple indiqué ci-dessus. Ne pas fixer correctement la lame peut provoquer un relâchement de cette dernière et représenter un risque de blessure grave.

- Répéter avec la deuxième et troisièmement lame, le cas échéant.

ENTRETIEN DES PNEUS

Ce tondeuse est muni de pneus sans chambre à air de la taille et du type indiqués ci-dessous :

	Avant	Arrière
Taille	11x4x5	16x6,5x8

Pression d'air des pneus

Vérifiez la pression d'air dans tous les pneus avant utilisation. Une mauvaise pression des pneus affectera la manipulation, la réponse de la direction, la traction, la durée de vie des pneus, la coupe de niveau et le confort de l'opérateur. Assurez-vous que les pneus sont gonflés conformément aux pressions illustrées ci-dessous.

NOTE : La pression des pneus devrait être mesurée ou ajustée seulement lorsque les pneus sont froids.

Pression recommandée	Avant	Arrière
	19 psi (131 kpa)	18 psi (124,1 kpa)

⚠ AVERTISSEMENT :

Vérifiez la pression des pneus avec prudence pendant que vous gonflez les pneus. Un pneu qui est trop gonflé pourrait éclater, causant de graves blessures corporelles.

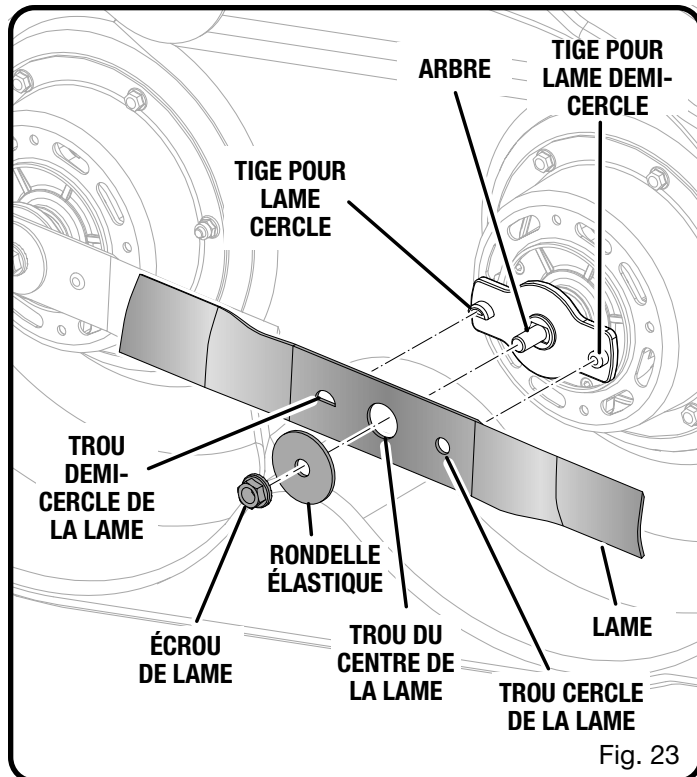


Fig. 23

⚠ AVERTISSEMENT :

Il est très important de maintenir la bonne pression d'air dans les pneus. Très peu de pression pourrait permettre au pneu de tourner en dehors de la jante de roue. Trop de pression pourrait causer l'éclatement du pneu. Ne pas maintenir la bonne pression d'air dans les pneus pourrait causer des problèmes au fonctionnement et à la stabilité du tondeuse, entraînant ainsi la mort ou de graves blessures corporelles.

RÉPARATION DES PNEUS

Si une fuite ou une crevaison se produit en raison d'une perforation, le pneu doit être réparé avec une rustine de type bouchon. Si le dommage est le résultat d'une coupure, ou si la perforation ne peut être réparée à l'aide d'un bouchon, le pneu devrait alors être remplacé.

REPLACEMENT DES PNEUS

Lorsque les pneus sont usés, la traction du tondeuse sera diminuée, ce qui augmentera les risques d'accident. Les pneus devraient être remplacés lorsque la profondeur sur le filetage est de 4 mm (0,16 po) ou moins, ou dès qu'un pneu est endommagé. Utilisez toujours des pneus de remplacement identiques. L'utilisation de pneus inappropriés sur le tondeuse pourrait causer une perte de contrôle, causer de graves blessures corporelles.

Faites remplacer les pneus par un centre de réparations agréé ou par un atelier de réparation de pneus qualifiés.

RÉGLAGE DES FREINS

Voir la figure 24.

DANGER :

S'assurer que les freins fonctionnent correctement à tout moment et avant chaque utilisation. Une mauvaise fonction de freinage peut entraîner une perte de contrôle en cas d'urgence et entraîner la mort ou des blessures graves.

Être capable d'arrêter correctement une tondeuse est un élément critique pour effectuer une tonte sécuritaire. Si l'on remarque que la distance de freinage de la tondeuse est plus longue avant son arrêt complet lorsque l'on appuie sur la pédale de frein, ceci indique que les freins doivent être réglés.

Pour vérifier :

- Stationner la tondeuse sur une surface à niveau et enclencher le frein à main.
- Mettre la manette en position neutre.
- Se tenir debout derrière la tondeuse et tenter de la pousser vers l'avant. Si les roues arrière tournent, ceci indique que les freins doivent être serrés.

Pour serrer :

- Localiser les écrous de réglage des freins le long du cadre devant chacune des roues arrière.
- Tourner l'écrou de réglage sur 1/4 de tour vers la droite puis essayer de pousser à nouveau la tondeuse.
- Continuer de tourner chaque écrou sur 1/4 de tour et en effectuant un essai jusqu'à ce que la tondeuse refuse d'avancer lorsqu'on la pousse.

Après le dernier réglage, vérifier les freins en conduisant la tondeuse à une vitesse normale et sur une surface plane pour s'assurer que la tondeuse s'arrête rapidement lorsque la pédale de frein est enfoncée.

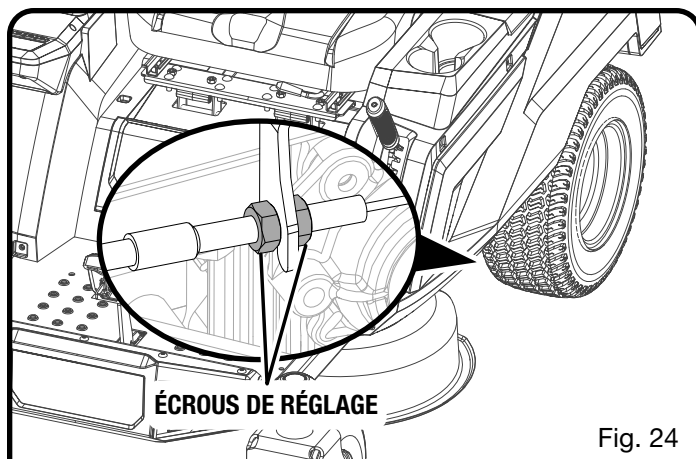


Fig. 24

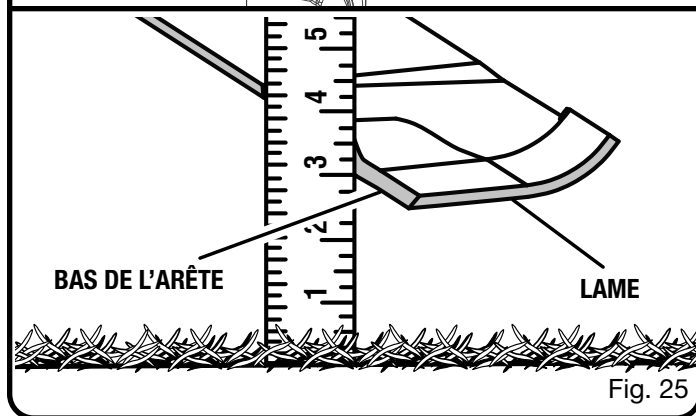


Fig. 25

MISE À NIVEAU DU PLATEAU DE COUPE

Voir les figures 25 et 26.

Si la tonte de la pelouse semble inégale après l'avoir tondu, le plateau de coupe doit être mis à niveau. Avant de décider si la mise à niveau du plateau est nécessaire, s'assurer que les pneus sont gonflés correctement et selon la pression recommandée pour la tonte. Des pneus trop gonflés ou insuffisamment gonflés peuvent nuire à l'apparence de la coupe alors qu'un gonflage adéquat des pneus peut s'avérer être la solution pour résoudre le problème de coupe inégale.

NOTE : Toujours vérifier l'alignement côte à côte et ajuster au besoin avant de mesurer ou ajuster de l'avant vers l'arrière.

Avant de commencer :

- S'assurer que la manette sont en position neutre et que le bouton d'enclenchement de la lame est enfoncé.
- Arrêter le moteur, laisser les lames s'arrêter complètement, retirer la clé de démarrage et enclencher le frein à main.
- Abaisser le plateau de coupe de la tondeuse jusqu'à la position la plus basse.
- Vérifier que les pneus sont gonflés à la valeur PSI recommandée. Consulter la section *Entretien des pneus*.

Pour effectuer l'ajustement côte à côte :

- Positionner les lames de manière à ce que les pointes soient dirigées vers les côtés de la tondeuse.
- Depuis l'extérieur de l'arête de chaque lame, mesurer la distance entre le côté de l'arête inférieure de la lame et le sol. Un ajustement côte à côte sera nécessaire si la distance des deux côtés est supérieure à 3,2 mm (1/8 po).
- Sur le côté à ajuster, dévisser le contre-écrou, comme illustré.
- Tourner les écrous de réglage vers la droite pour soulever ou vers la gauche pour abaisser le côté du plateau de coupe. Chaque tour complet de l'écrou de réglage modifiera la hauteur du plateau d'environ 3,2 mm (1/8 po).

NOTE : Pour soulever le côté, il faudra d'abord tourner l'écrou de réglage supérieur. Pour abaisser, tourner d'abord l'écrou de réglage inférieur.

- Mesurer à nouveau. Continuer d'ajuster et de mesurer jusqu'à ce que la différence de distance de chaque côté soit de 3,2 mm (1/8 po) ou moins.
- Procéder à l'ajustement avant-arrière ou serrer fermement les contre-écrous.

Pour effectuer l'ajustement avant-arrière :

NOTE : Toujours effectuer la mise à niveau côte à côte du plateau avant d'effectuer l'ajustement avant-arrière.

- Positionner la lame vers le côté le plus près de la goulotte d'éjection et de manière à ce que les extrémités soient dirigées de l'avant à l'arrière de la tondeuse.

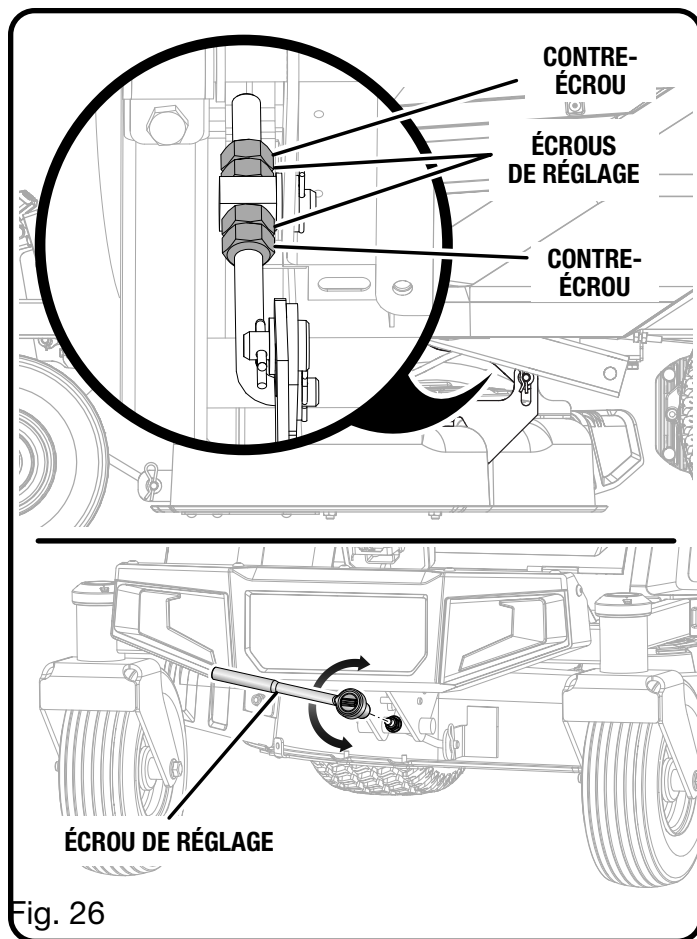


Fig. 26

- Mesurer la distance entre la pointe de la lame et le sol. Pour obtenir des résultats optimaux, le devant de la pointe de la lame devrait être de 6,4 à 12,7 mm (1/4 à 1/2 po) plus bas que la pointe arrière.
- Si un ajustement avant-arrière est requis, tourner les écrous de réglage vers la droite pour lever ou vers la gauche pour abaisser l'arrière du plateau de coupe. Chaque tour complet de l'écrou de réglage modifiera la hauteur du plateau d'environ 3,2 mm (1/8 po).

NOTE : S'assurer de tourner les écrous de réglage des deux côtés sur une distance égale afin d'éviter de modifier à nouveau la mesure côte à côte.

- Mesurer à nouveau pour s'assurer que le point avant est maintenant de 6,4 à 12,7 mm (1/4 à 1/2 po) plus bas que la pointe arrière. Si ce n'est pas le cas, continuer les ajustements et les mesures jusqu'à ce que cette distance soit atteinte.

NOTE : La nivelance du plateau est réglée en usine et ne constitue pas un élément d'entretien régulier.

ENTRETIEN

REEMPLACEMENT DES BLOC-PILES

Voir les figures 27 à 30.

NOTE : Utiliser uniquement des piles au lithium de 80 volts et 40 volts pour tondeuse à gazon autoportée électrique de RYOBI.

Cette tondeuse peut utiliser jusqu'à deux bloc-piles de 80 volts. Il existe deux autres ports de pile de 40 volts qui peuvent prolonger l'autonomie de la tondeuse à braquage zéro. Les piles de 80 volts sont utilisées en premier et le système répartit automatiquement leur charge de manière équilibrée pendant la décharge. Toute pile de 40 volts insérée prolongera l'autonomie en ajoutant de l'énergie supplémentaire, à mesure que les piles de 80 volts arrivent à un état de charge plus faible.

NOTE : Il faut toujours recycler les piles au lithium usagées. Toujours respecter les avertissements de sécurité fournis avec les bloc-piles. Jeter les anciennes piles conformément aux réglementations locales et provinciales.

- Stationner la tondeuse sur une surface à niveau et enclencher le frein à main. Placer la manette en position neutre verrouillée, arrêter le moteur et retirer la clé de démarrage.
- Déplacer le siège complètement en avant.
- Appuyer sur le bord central du couvercle du compartiment des piles pour libérer le loquet. Le couvercle se lève pour permettre l'accès au compartiment en dessous.

Pour enlever et remettre un bloc-pile de 80 volts :

- Débrancher la prise à raccord rapide du bloc-pile en pressant les languettes pour la dégager du bloc-pile, puis mettre de côté. Cette prise connecte les piles à la tondeuse et déconnecte les piles de la tondeuse.
- Libérer le loquet de pile sécurisant le bloc-pile en le tournant en sens antihoraire.
- Lever le bloc-pile hors du port de pile.
- Remettre le bloc-pile (ou les bloc-piles au besoin), en l'abaissant dans le port de pile.
- Sécuriser le bloc-pile en tournant le loquet de pile en sens horaire.
- Remettre la prise à raccord rapide du bloc-pile.
- Le cas échéant, répéter les étapes pour tout bloc-pile supplémentaire.
- Abaisser le couvercle sur le compartiment des piles et appuyer sur le bord central pour enclencher le verrou.

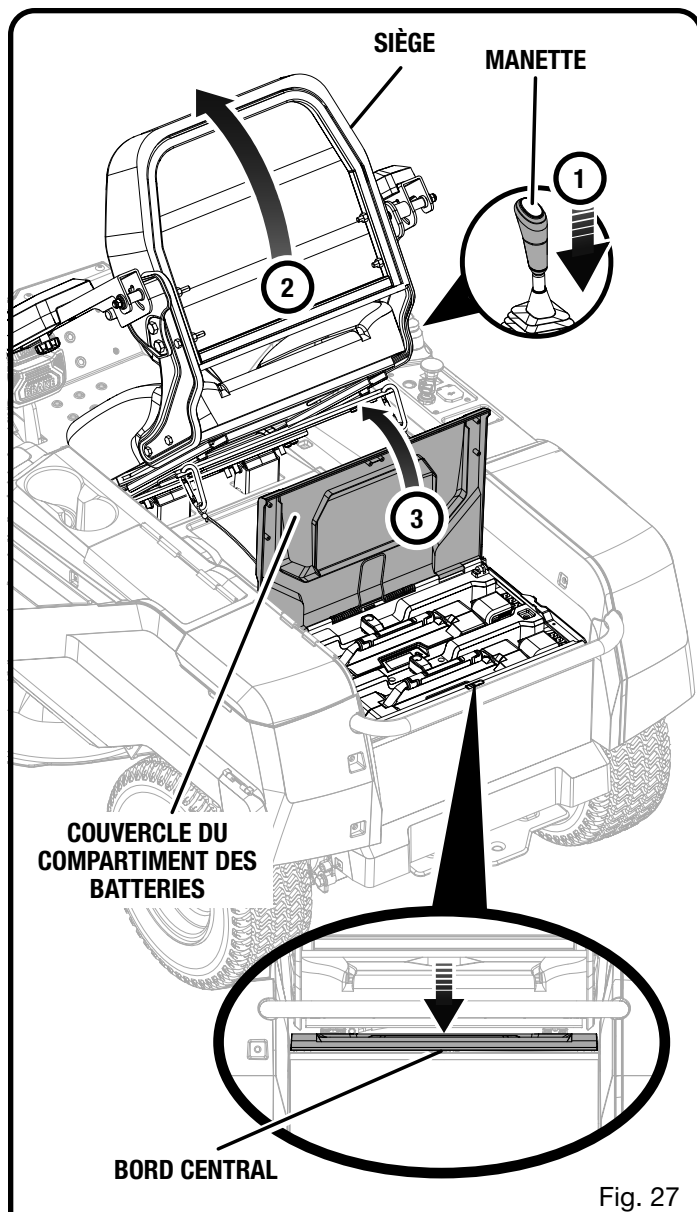


Fig. 27

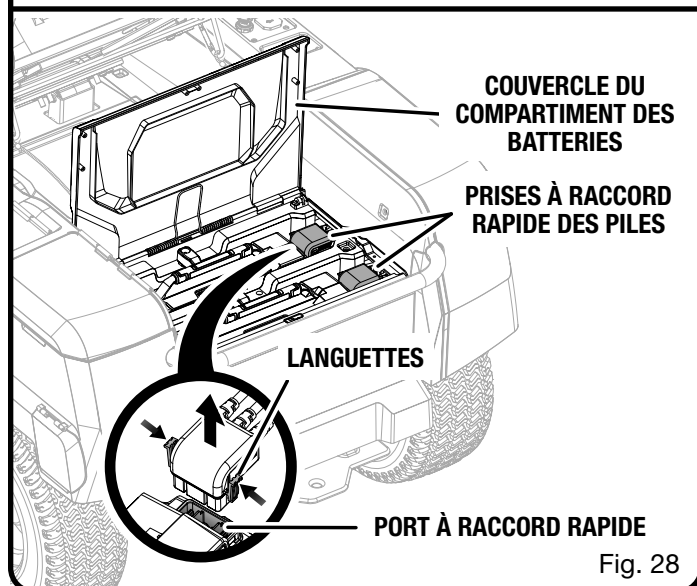


Fig. 28

ENTRETIEN

NOTE : S'assurer que le couvercle du compartiment des piles est fermement verrouillé avant de réajuster le siège. Vérifier bien que le câble du verrouillage de sécurité est toujours connecté.

- Réajuster le siège dans une position confortable avant de conduire la tondeuse.

Pour enlever et remettre un bloc-pile de 40 volts :

Il existe quatre autres ports de pile de 40 volts qui peuvent prolonger l'autonomie de la tondeuse à gazon à braquage zéro. Toutefois, ces piles supplémentaires ne sont pas obligatoires pour utiliser la tondeuse à braquage zéro.

NOTE : La tondeuse à braquage zéro ne fonctionnera pas avec uniquement des piles de 40 volts. Elle doit avoir au moins une pile de 80 volts utilisable pour opérer les moteurs de l'entraînement et de la lame.

- Ouvrir les couvercles des piles sur chaque côté de la tondeuse.
- Tout en pressant le loquet de pile, saisir la poignée et lever la pile hors de son port.
- Aligner les nervures sur le bloc-piles avec les rainures de la prise de pile et insérer le bloc-piles sur la tondeuse.
- S'assurer que le loquet est fermement verrouillé en place.
- Abaisser le couvercle des piles et vérifier qu'il est bien fermé.
- Le cas échéant, répéter les étapes pour toute pile supplémentaire.

⚠ AVERTISSEMENT :

S'assurer que le loquet au bas du bloc-piles s'enclenche et que les bloc-piles est installé et fixé correctement au tondeuse avant de commencer le travail. Ne pas installer et fixer correctement les bloc-piles peut provoquer la chute de ce dernier et occasionner des blessures graves.

Pour prendre connaissance de l'ensemble des instructions relatives à la charge, consulter les manuels d'utilisation des batteries et des modèles de chargeur connexes

RANGEMENT DE LA TONDEUSE

Les étapes suivantes doivent être exécutées avant de ranger la tondeuse pour la saison.

- Retirer toute accumulation d'herbe et de feuilles sur et autour du capot du moteur. Nettoyer la tondeuse avec un chiffon sec. Ne pas nettoyer à l'aide d'un boyau d'arrosage, l'eau ou d'autres liquides.

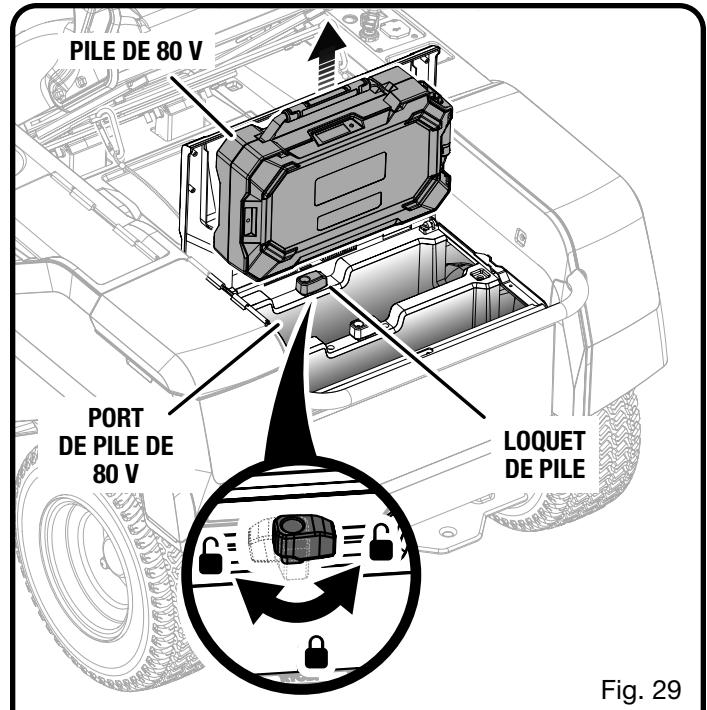


Fig. 29

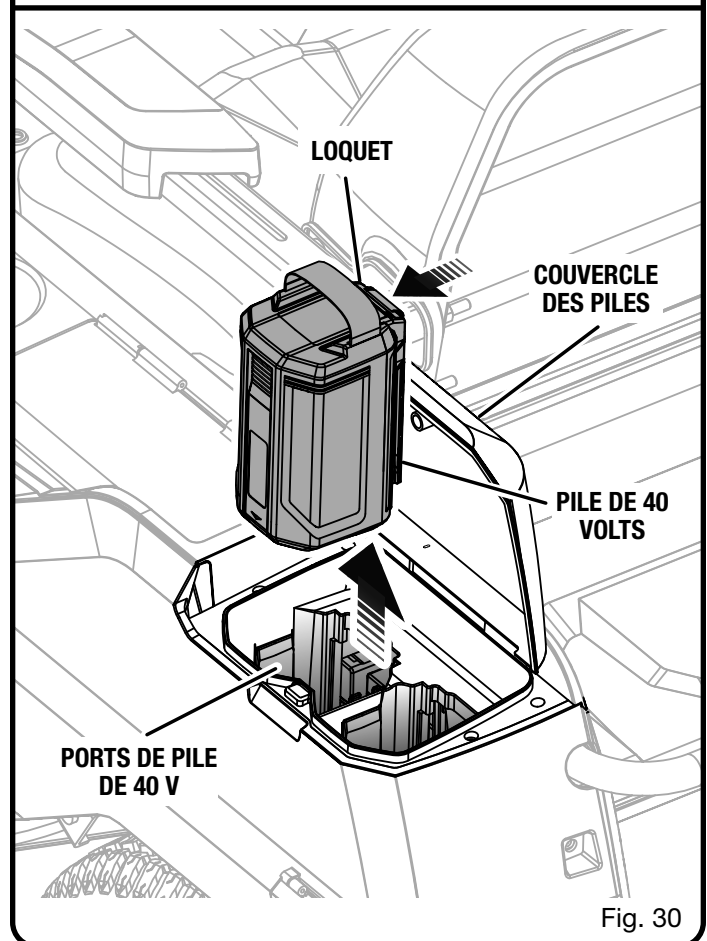


Fig. 30

ENTRETIEN

- Brancher la tondeuse pour la charger pendant toute la durée du rangement.

NOTE: S'il est impossible de charger la tondeuse pendant la durée du rangement, charger les batteries au moins une fois par mois pendant la période de rangement.

- Ranger la tondeuse dans un endroit propre et sec et inaccessible aux enfants. Ne pas ranger près d'aucun autre appareil fonctionnant par flammes comme un chauffe-eau à gaz, une sècheuse ou une fournaise.

NOTE : Serrer le frein de stationnement et ne pas laisser la clé dans le commutateur d'allumage pendant la période de rangement. Placer la clé dans un endroit inaccessible aux enfants.

- Si la tondeuse doit être rangée à l'extérieure, s'assurer qu'elle est complètement recouverte afin de la protéger du climat.

- Garder éloigné des agents corrosifs comme les produits chimiques de jardinage et les sels fondants.

PRÉPARATIF APRÈS LA PÉRIODE DE RANGEMENT

Les étapes suivantes doivent être suivies avant d'utiliser la tondeuse à sa sortie du rangement :

- Réviser le calendrier d'entretien.
- Charger complètement les batteries.
- Vérifier la pression des pneus et les gonfler au besoin.
- Conduire brièvement la tondeuse et s'assurer du bon fonctionnement de tous les systèmes et composants.
- Inspecter régulièrement pour vérifier si l'isolation des fils est effilochée et dégradée.

CALENDRIER D'ENTRETIEN

	Inspecter avant chaque utilisation	Toutes les 25 heures	Toutes les 50 heures ou annuellement	Toutes les 100 heures	Avant le remisage
Vérifier les freins	X				
Vérifier la pression des pneus	X				
Vérifier le système de verrouillage de sécurité	X				
S'assurer que toutes les pièces sont serrées fermement	X				X
Nettoyer les débris de la tondeuse	X		X		X
Vérifier/remplacer les lames de la tondeuse		X	X		
Nettoyer les bornes des batteries			X		

NOTE : L'entretien doit être effectué plus souvent si la tondeuse est utilisée dans des aires poussiéreuses.

Lorsque l'entretien est effectué hors des périodes maximales spécifiées par le calendrier, l'entretien doit quand même être effectué selon les cycles d'intervalles de temps ou d'heures indiquées au calendrier.

En cas d'incertitude concernant l'une des opérations d'entretien indiquées ci-dessus, apporter la tondeuse à un centre de réparation autorisé afin d'obtenir de l'aide.

ACCESSOIRES

Pour obtenir ces accessoires, lire le code QR, visitez notre site internet au www.ryobitools.com ou appelez au numéro 1-800-525-2579.



Lames de rechange pour coupe transversale de 76,2 cm RYOBI	ACRM032
Trousse d'ensemble d'ensacheuse de 76,2 cm avec amplification RYOBI	ACRM018
Trousse d'ensemble d'ensacheuse de 76,2 cm RYOBI	ACRM022
Lames de rechange pour ensachage de 76,2 cm RYOBI.....	ACRM010
Lames de rechange pour déchiquetage de 76,2 cm RYOBI	ACRM009

AVERTISSEMENT :

Les outils et accessoires disponibles actuellement pour cet outil sont listés ci-dessus. Ne pas utiliser d'outils ou accessoires non recommandés pour cet outil. L'utilisation de pièces et accessoires non recommandés peut entraîner des blessures graves.



TIREZ LE MEILLEUR PARTI DE VOTRE ACHAT!

Visitez le site <http://register.ryobitools.com> pour enregistrer votre nouvel outil en ligne.

Ce produit a été entièrement testé avant expédition pour assurer la complète satisfaction de l'utilisateur.

Pour toute question concernant l'utilisation ou l'entretien du produit, appeler le service d'assistance téléphonique RYOBI!

À l'exclusion de la batterie, ce produit est accompagné d'une garantie limitée de cinq (5) ans pour utilisation personnel, familiales ou domestiques (250 heures d'utilisation pour les tondeuses autoportées de 80 V dont la taille du plateau est inférieure à 106,68 cm, et compris le modèle RYRM8002; 500 heures d'utilisation pour les tondeuses autoportées de 80 V dont la taille du plateau est supérieure ou égale à 106,68 cm, à l'exclusion du modèle RYRM8002, si elles sont utilisées à toute autre fin, comme une fin commerciale, locative ou tout autre revenu finalité productrice).

La pile et chargeur ont dotée d'une garantie limitée de cinq ans pour un usage personnel, familial ou domestique (deux ans si elles sont utilisées à toute autre fin, comme une fin commerciale, locative ou tout autre revenu finalité productrice).

Pour obtenir les détails de la garantie, visiter le site www.ryobitools.com ou appeler (sans frais) au 1-800-525-2579.

DÉPANNAGE

SI LES PRÉSENTES SOLUTIONS NE RÉSOLVENT PAS LE PROBLÈME, CONTACTER LE CENTRE DE RÉPARATIONS AGRÉÉ.

PROBLÈME	CAUSE POSSIBLE	SOLUTION
La tondeuse ne démarre pas.	<p>La charge de la batterie est faible.</p> <p>Le chargeur est branché à la tondeuse.</p> <p>La clé de démarrage n'est pas insérée ou est en position « OFF » (arrêt).</p> <p>Raccordements des câbles de batteries lâches.</p>	<p>Charger le bloc-batterie.</p> <p>Débrancher le chargeur de la tondeuse.</p> <p>Insérer la clé de démarrage et tourner à la position « ON » (démarrer).</p> <p>Vérifier et nettoyer toutes les connexions de batteries.</p>
Tondeuse refuse de se déplacer.	<p>La clé de démarrage n'est pas insérée ou est en position « OFF » (arrêt).</p> <p>La manette sont en position neutre.</p> <p>La pédale de frein est enfoncée et/ou frein à main enclenché.</p> <p>Le chargeur est branché à la tondeuse.</p> <p>Le conducteur est mal assis.</p>	<p>Insérer la clé de démarrage et tourner à la position « ON » (démarrer).</p> <p>Déplacer la manette à la position désirée (marche avant ou marche arrière)</p> <p>Relâcher la pédale de frein ou le frein à main.</p> <p>Débrancher le chargeur de la tondeuse.</p> <p>S'asseoir complètement sur le siège, remettre la manette en position neutre, puis réessayer.</p>
La tondeuse coupe l'herbe de façon inégale.	<p>Pression des pneus inégale.</p> <p>Plateau de tondeuse pas à niveau.</p> <p>Lame usée, pliée, lâche ou émoussée.</p> <p>Accumulation de débris sous le plateau de coupe.</p> <p>La vitesse de déplacement est trop rapide.</p>	<p>Vérifier la pression des quatre pneus.</p> <p>Effectuer la mise à niveau du plateau de coupe.</p> <p>Remplacer la lame.</p> <p>Nettoyer le dessous du le plateau de coupe.</p> <p>Effectuer la tonte plus lentement.</p>
La tondeuse ne broie pas correctement.	<p>Des brins d'herbe humides sont collés au-dessous du châssis.</p> <p>L'herbe est trop longue.</p> <p>Lame usée, pliée, lâche ou émoussée.</p> <p>La vitesse de déplacement est trop rapide.</p>	<p>Attendez que l'herbe sèche avant de tondre.</p> <p>Effectuer une première tonte à la hauteur de coupe la plus haute puis tondre à nouveau à la hauteur désirée.</p> <p>Remplacer la lame.</p> <p>Effectuer la tonte plus lentement.</p>
La tondeuse vibre à une vitesse élevée.	<p>La lame est déséquilibrée, détacher ou usée de façon excessive ou inégale.</p> <p>L'arbre du moteur plié.</p>	<p>Remplacer la lame.</p> <p>Arrêtez le moteur et retirer la clé de démarrage. Inspecter les pièces afin de s'assurer qu'elles ne sont pas endommagées. Faites réparer par un centre de réparations agréé avant de redémarrer.</p>

DÉPANNAGE

PROBLÈME	CAUSE POSSIBLE	SOLUTION
Éjection d'herbe faible.	Goulotte ou ouverture d'éjection de côté obstruée. L'herbe est humide. La vitesse de tonte est trop rapide. L'herbe est trop longue.	Nettoyer la goulotte ou ouverture d'éjection de côté. Laisser sécher l'herbe avant de la tondre. Effectuer la tonte moins rapidement. Effectuer une première tonte à la hauteur de coupe la plus haute puis tondre à nouveau à la hauteur désirée.
Si le moteur s'arrête pendant la tonte de la pelouse.	La hauteur de coupe est trop basse. La charge de la batterie est faible. Le conducteur est mal assis.	Augmentez la hauteur de coupe. Charger la batterie. S'asseoir complètement sur le siège, ramener la manette en position neutre et appuyer sur le bouton d'engagement de la lame. Puis, réessayer.
Les lames ne tournent pas.	Charge de batterie faible. Bouton d'enclenchement de lame enfoncé. Le conducteur est mal assis. Accumulation de débris sous le plateau de coupe.	Charger la batterie. Soulever le bouton d'enclenchement de lame. S'asseoir complètement sur le siège, ramener la manette en position neutre et appuyer sur le bouton d'engagement de la lame. Puis, réessayer. Nettoyer le dessous du plateau de coupe.
Les lames ne tourneront pas pendant la marche arrière.	Bouton d'enclenchement de lame enfoncé.	Soulever le bouton d'enclenchement de lame.
La tondeuse n'atteint pas la vitesse de pointe.	Charge de batterie faible. La fonction de conduite à basse vitesse est activée.	Charger la batterie. Éteindre la conduite à basse vitesse.
Les lames continuent de tourner après le départ de l'opérateur et sans avoir enclenché le frein à main.	Le système de verrouillage de sécurité ne fonctionne pas correctement.	S'assurer que la fiche du siège du système de verrouillage de sécurité est branchée correctement. Si les lames tournent toujours, apporter la tondeuse à un centre de réparations autorisé pour faire réparer.
Les phares ne fonctionnent pas.	Les phares sont éteints. Les phares sont endommagés.	Enfoncer le bouton des phares pour les allumer. Faire remplacer les phares dans un centre de réparations agréé.
La batterie ne se charge pas.	Batterie en mauvais état. Connexions des câbles lâches.	Remplacer la batterie. Vérifier et nettoyer toutes les connexions de batteries.



Si le problème persiste après avoir essayé les solutions ci-dessus, communiquer avec le service à la clientèle ou un centre de réparations qualifié pour obtenir de l'aide.

INSTRUCCIONES DE SEGURIDAD IMPORTANTES


PELIGRO:

LEA TODAS LAS ADVERTENCIAS DE SEGURIDAD, ESPECIFICACIONES E INSTRUCCIONES DE ENSAMBLAJE PROVISTAS CON EL PRODUCTO. El uso de una podadora de giro cero requiere que comprenda el funcionamiento del producto y de los controles correspondientes. Si no sigue todas las advertencias e instrucciones, podría sufrir la muerte, lesiones personales graves o una descarga eléctrica, o producirse un incendio.

LEA TODAS LAS INSTRUCCIONES

- Esta máquina de corte es capaz de amputar manos y pies, y de lanzar objetos. La inobservancia de todas las instrucciones de seguridad puede causar lesiones serias o la muerte.
- Evite ambientes peligrosos — No use la podadora de pasto en condiciones húmedas o mojadas ni la utilice en la lluvia.
- Mantenga alejados a los niños — Mantenga alejados a todos los circunstantes, niños y animales a una distancia mínima de 30,5 m (100 pies). Detenga la podadora y apague la máquina si alguien ingresa al área. 
- Pueden ocurrir accidentes trágicos si el operario no permanece atento a la presencia de niños. A menudo, los niños se sienten atraídos por la máquina y por la actividad de podar. NUNCA suponga que los niños permanecerán en el lugar en que los vio por última vez. 
- Mantenga a los niños lejos del área de podado y bajo el cuidado atento de un adulto responsable que no sea el operario.



- Esté atento; detenga y apague la máquina si un niño ingresa al área.
- Antes y mientras retrocede, maniobre en reversa o aire, controle que atrás o debajo no haya niños, transeúntes o mascotas. 
- Nunca lleve a niños, incluso con las cuchillas desactivadas. Se pueden caer y lastimarse gravemente, o interferir en el funcionamiento seguro de la máquina. Los niños a los que les dio un paseo antes pueden aparecer de repente en el área de podado para dar otro paseo y pueden ser atropellados por la máquina.
- Nunca permita que los niños hagan funcionar la máquina.

ADVERTENCIA:

ESTE EQUIPO PUEDE CAUSAR LA MUERTE O HERIR CON GRAVEDAD A LOS NIÑOS. La Academia Americana de Pediatría recomienda que los niños tengan una edad mínima de 16 años antes de hacer funcionar una podadora de pasto tipo tractor.

- Tenga sumo cuidado cuando se acerque a esquinas ciegas, arbustos, árboles u otros objetos que puedan impedirle ver a un niño.
- Use pantalones gruesos y largos, mangas largas, guantes y protección ocular para protegerse los pies y mejorar el agarre en superficies resbaladizas. No use ropa holgada, pantalones cortos o sandalias, ni ande descalzo. No use artículos de joyería de ninguna clase. Pueden quedar atrapadas en las piezas móviles.
- Nunca deje la máquina funcionando sin supervisión. Desactive siempre las cuchillas, coloque el freno de estacionamiento, detenga el motor y quite la llave antes de bajarse.
- Controle el funcionamiento del freno antes de cada uso y de manera frecuente durante el uso. Realice los trabajos de ajuste y mantenimiento según sea necesario.
- Mantenga las manos y los pies alejados del área de corte, la cual está ubicada debajo de la base inferior de la podadora y en el interior del vertedor de descarga lateral. Manténgase alejado de la abertura de vertedor de descarga lateral en todo momento. No extienda los brazos por debajo de la base inferior de la podadora.
- Utilice la podadora de pasto únicamente a la luz del día o con buena luz artificial.
- Utilice gafas de seguridad — Siempre utilice protección para los ojos con escudos laterales que cumplan con ANSI Z87.1. Si el proceso es polvoriento, utilice una careta.
- Utilice el aparato adecuado para la tarea — No utilice la podadora de pasto para ninguna función diferente de las especificadas.
- No fuerce la podadora de pasto — Efectúa el trabajo mejor y de manera más segura, si se utiliza a la velocidad para la que está diseñada.
- No cargue la cortadora de pasto bajo la lluvia o en ubicaciones húmedas.
- Permanezca alerta — Preste atención a lo que esté haciendo y use el sentido común al utilizar la podadora de pasto. No utilice la podadora cuando está cansado, molesto o bajo la influencia de drogas, alcohol o medicamentos. Un momento de descuido al utilizar la podadora de pasto puede causar lesiones serias.
- Mantenga la podadora de pasto con cuidado — Mantenga la máquina en buenas condiciones de trabajo. Mantenga las cuchillas afiladas, y las protecciones en su lugar y en buenas condiciones de trabajo. Para prevenir heridas graves, daños

INSTRUCCIONES DE SEGURIDAD IMPORTANTES

en la podadora, y para un mejor rendimiento, reemplace las cuchillas dañadas o desgastadas de forma irregular.

- Revise el apriete de todas las tuercas, pernos y tornillos antes de cada uso para verificar la seguridad de las condiciones de funcionamiento del equipo. Las cuchillas de la podadora son filosas. Envuelva las cuchillas o utilice guantes y sea extremadamente precavido cuando las repare.
- Cambie la cuchilla si está doblada, fisurada o dañada de algún modo. Una cuchilla mal equilibrada ocasiona vibraciones que podrían dañar la unidad impulsora del motor o causar lesiones personales. Afíle la cuchilla desafilada de la misma manera en cada extremo para mantener el equilibrio. Limpie profundamente la cuchilla y verifique el equilibrio apoyándola horizontalmente sobre un clavo delgado a través del orificio central. El clavo debe encontrarse en posición horizontal. Si alguno de los extremos de la cuchilla gira hacia abajo, extraiga algo de metal de la parte pesada del extremo inferior hasta que la cuchilla quede equilibrada. La cuchilla estará equilibrada cuando ninguno de los extremos gire hacia abajo.
- El vertedor de descarga lateral es una protección con resorte que cubre la apertura de descarga lateral en la base inferior de la podadora y aleja la hierba y los residuos del operario. Siempre asegúrese de que el motor esté apagado y de que las cuchillas se hayan detenido antes de inspeccionar, mover, limpiar o realizar tareas de mantenimiento en el vertedor de descarga lateral.
- Siempre utilice dispositivos de protección. No haga funcionar la podadora si el vertedor de descarga lateral no está en su lugar y si no está funcionando correctamente.
- Nunca interfiera con la función correspondiente de un dispositivo de seguridad ni reduzca la protección suministrada por un dispositivo de seguridad. Controle periódicamente que la máquina funcione correctamente.
- Nunca altere los dispositivos de seguridad. Compruebe periódicamente que la máquina funcione correctamente.
- Siga las instrucciones del fabricante para el correcto manejo e instalación de los accesorios. Sólo utilice accesorios aprobados por el fabricante. El uso de otros accesorios puede aumentar el riesgo de lesiones.
- Despeje el área de trabajo cada vez antes de utilizar esta herramienta. Retire todos los objetos como piedras, palos, metal, alambre, huesos, juguetes, ramas de árboles caídas, frutos secos, u otros objetos que puedan ser lanzados por los cuchillas.
- Los objetos golpeados por los cuchillas de la podadora de pasto pueden causar graves heridas a las personas. Siempre debe examinarse el pasto con cuidado y despejarlo de cualquier objeto antes de cada poda.
- Si la podadora de pasto golpea un objeto extraño, siga estos pasos:
 - Detenga la podadora de pasto, coloque el freno de estacionamiento, espere hasta que las cuchillas se detengan por completo y luego.

- Inspeccione minuciosamente la podadora para ver si tiene daños.
- Reemplace la cuchilla si presenta algún tipo de daño. Repare todo daño antes de volver a arrancar la podadora y continuar utilizándola.

- Las pendientes son un factor importante relacionado con la pérdida de control y accidentes de vuelcos, lo que puede provocar heridas graves o la muerte. El funcionamiento en pendientes requiere precaución adicional. Si no puede cubrir la pendiente o si se siente incómodo, no la pade. No retroceda en una pendiente hacia abajo. Nunca use la máquina en pendientes pronunciadas de más de 15°.



- Nunca intente conducir la podadora en una pendiente pronunciada ni podar una pendiente de más de 15°. Para determinar el ángulo de su pendiente, utilice la **Guía de pendientes** que se encuentra en la parte trasera de este manual. Para su seguridad, mida cualquier pendiente antes de usar la máquina en el área en cuestión. Utilice un dispositivo de medición de pendientes además del indicador de pendientes que se encuentra en la parte posterior de este manual.
- Poda las pendientes en sentido ascendente y descendente, no en sentido transversal.
- Esté atento a orificios, baches, lomas, rocas u otros objetos escondidos. El terreno desparejo puede volcar la máquina. El pasto alto puede esconder obstáculos. La aceleración o el frenado rápidos pueden hacer que la parte delantera de la máquina se levante y vuelque, lo que podría provocar lesiones personales graves o incluso la muerte. Evite los arranques cuesta arriba.
- Utilice una velocidad baja para que no tenga que detenerse de repente ni acelerar accidentalmente mientras se encuentre en una pendiente.
- No corte césped mojado o en superficies inestables. Los neumáticos pueden perder tracción, y usted puede perder el control.
- Mantenga siempre el palancas de impulso en posición de avance cuando recorra las pendientes. No pase a neutro y descienda, ya que podría provocar la pérdida de control de la podadora.
- Evite arrancar, detenerse o girar sobre una pendiente. Si los neumáticos pierden la tracción, desactive las cuchillas y proceda lentamente en línea recta descendiendo por la pendiente.
- Realice todos los movimientos sobre la pendiente de forma lenta y gradual. No haga cambios repentinos en la velocidad o la dirección, ya que podría provocar que la máquina se dé vuelta.
- Tenga sumo cuidado cuando haga funcionar la máquina con las embolsadoras u otros accesorios; pueden afectar la estabilidad de la máquina. Una embolsadora pesada podría causar la pérdida de control o hacer que la máquina

INSTRUCCIONES DE SEGURIDAD IMPORTANTES

vuelque. No utilice la máquina con la embolsadora en pendientes de más de 10°.

- No intente estabilizar la máquina apoyando los pies en el suelo.
- Manténgase a, al menos, dos anchos de podado (2,13 m [7 pies]) de cunetas, caídas o agua. Las ruedas delanteras podrían girar cuando la podadora esté detenida, incluso con el freno colocado, y hacer que la podadora caiga en un pozo o al agua, lo que podría causarle la muerte o lesiones personales graves.



- Nunca dirija el material descargado hacia una persona. Planifique su patrón de podado para evitar la descarga de material en circunstancias, caminos, aceras, ventanillas, automóviles y demás. Además, evite descargar material contra una pared u obstrucción que pueda hacer que el material rebote hacia el operador.
- Detenga la cuchilla cuando cruce por superficies de grava para evitar la descarga de ripios y rocas, y conduzca la podadora lentamente y con cuidado para evitar la pérdida de control.
- Tenga cuidado extremo al acercarse a esquinas ciegas, arbustos, árboles u otros objetos que puedan impedirle ver.
- Nunca haga ajustes ni reparaciones con el motor en funcionamiento o las cuchillas en movimiento. Apague el interruptor y quite la llave.
- Detenga el motor, coloque el freno de estacionamiento, espere hasta que las cuchillas se detenga por completo y retire la llave del arranque de fusible antes de limpiar la vertedor de descarga lateral o apertura. Las cuchillas continúa girando durante algunos segundos después de que se apaga el motor. Nunca coloque ninguna parte del cuerpo en el área de las cuchillas hasta que esté seguro de que la cuchilla ha dejado de girar.
- Si la podadora comienza a vibrar de manera anormal, detenga el motor e inspecciónela inmediatamente para determinar la causa. Reemplace las cuchillas si presenta algún tipo de daño o si se ha desgastado de forma irregular. La vibración es generalmente un signo de una cuchilla de podadora dañada.
- Desactive las cuchillas de la podadora cuando no esté podando.
- Sólo personal de reparación calificado debe dar servicio al producto y cargador. Todo servicio o mantenimiento efectuado por personal no calificado puede significar un riesgo de lesiones al usuario, y de daños físicos al producto.
- Al dar servicio a este producto, sólo utilice únicamente repuestos autorizados. Utilice solo cuchillas de repuesto idénticas a las originales. El empleo de piezas no

autorizadas puede significar un riesgo de lesiones serias al usuario, o de daños físicos al producto.

- Mantenga las etiquetas de instrucciones de seguridad en buen estado o cámbielas, según sea necesario.
- Retire la llave del arranque — Retire la llave del arranque antes de guardar la podadora, servicio, o cambie los aditamentos como una cuchillas. Tales medidas preventivas de seguridad reducen el riesgo de poner en marcha accidentalmente la podadora.
- Apague la unidad y retire la llave del arranque cuando no esté en uso. Transporte la unidad con el motor apagado y la llave del arranque ya retirados de la podadora.
- Las herramientas de baterías no se necesitan conectar a una toma de corriente; por lo tanto, siempre están en condiciones de funcionamiento. Esté consciente de los posibles peligros cuando no esté usando la herramienta de baterías o cuando esté cambiando los accesorios de la misma. Con el cumplimiento de esta regla se reduce el riesgo de una descarga eléctrica, incendio o lesión corporal seria.
- No use podadora accionados por baterías en la lluvia.
- Retire la llave del arranque antes de proporcionarle servicio, realizarle una limpieza o quitar material del aparato para el cuidado del jardín.
- Guarde en el interior los aparatos que no se están usando — Cuando no se está usando, se debe guardar la podadora en el interior, en un lugar seco y cerrado con llave del arranque, inaccesible a los niños. Retire la llave del arranque y guárdela en un lugar apartado fuera del alcance de los niños.
- Siga las instrucciones para cambiar accesorios.
- Solo permita que esta máquina sea operada por personas adultas responsables, capacitado, aptas físicamente, que estén familiarizadas con y comprenda las instrucciones.
- Nunca lleve pasajeros.
- Nunca opere la máquina en un espacio cerrado.
- No puede en reversa a menos que sea sumamente necesario. Mire siempre hacia abajo y hacia atrás antes y mientras retrocede.
- Aminoré la marcha antes de girar.
- Observe el tráfico cuando esté podando cerca o cruzando calzadas.
- Las podadoras con impulso en las ruedas traseras requieren mayor tracción que aquellas con impulso en las ruedas delanteras. Tenga extremo cuidado cuando puede en pendientes o cuando pase sobre superficies mojadas, para evitar un posible vuelco.
- Cuando puede, manténgase a, al menos, 2,13 m (7 pies) de caídas, terraplenes, agua y superficies tipo pantano.
- Tenga sumo cuidado cuando cargue o descargue la máquina en un remolque; presione el botón de impulso de velocidad baja y mueva con cuidado las palancas de impulso según sea necesario para controlar la velocidad.

INSTRUCCIONES DE SEGURIDAD IMPORTANTES

Cuando cargue la podadora en un remolque, hágalo siempre en reversa. Cuando cargue o descargue la podadora, no exceda el máximo recomendado para el ángulo de funcionamiento de 15°.

- Utilice rampas de ancho completo para cargar y descargar una máquina para el transporte.
- Los datos indican que los operarios de más de 60 años están involucrados en un gran porcentaje de lesiones relacionadas con la conducción de podadoras. Estos operarios deben evaluar su capacidad para hacer funcionar la podadora tipo tractor de manera segura para protegerse y proteger a los demás, y evitar que sufran lesiones graves.
- Mantenga la máquina sin acumulaciones de hierba, hojas y otros residuos. Deje que la máquina se enfríe antes de guardarla.
- **Nunca use una manguera, agua ni otros líquidos para limpiar o enjuagar la podadora.** Los líquidos corrosivos, el agua, los fertilizantes y los productos químicos utilizados con las podadoras pueden ingresar a la unidad o al compartimiento de la batería y dañar los componentes eléctricos o el paquete de la batería, lo que podría resultar en un corto circuito, mayor riesgo de incendio y lesiones personales graves. Retire la acumulación de pasto y hojas alrededor de la carcasa de la podadora o debajo de la plataforma de la podadora. Se puede hacer una excepción para limpiar la parte inferior de la plataforma de la podadora cuando se usa un accesorio Ryobi diseñado para este propósito, de acuerdo con las instrucciones del accesorio. Limpie la podadora con un trapo seco de manera ocasional.
- Detenga el motor, espere hasta que las cuchillas se detengan por completo y retire la llave de arranque antes de limpiar la podadora, retirar la embolsadora o quitar la cubierta de mantillo.

REGLAS DE SEGURIDAD ADICIONALES PARA LAS BATERÍAS

- No deseche las baterías en el fuego. Las baterías pueden estallar. Verifique los códigos de la localidad para conocer posibles instrucciones especiales para desecharlas.
- Mantenga todos los objetos de metal, como clips de papel, monedas, llaves, clavos, tornillos y otros objetos de metal pequeños, alejados de la batería y terminales de la batería que puedan crear una conexión entre dos terminales. Establecer una conexión directa entre las dos terminales de las baterías puede causar quemaduras o incendios y puede conducir a lesiones personales o daños materiales.
- Tenga cuidado cuando maneje baterías a fin de no realizar un cortocircuito en la batería con materiales conductores como anillos, brazaletes y llaves. La batería o el conductor pueden recalentarse y provocar quemaduras.




- No cargue la batería en un área con temperaturas extremadamente altas o bajas. Las baterías se cargan mejor a temperaturas de 0 °C a 40 °C (32 °F a 104 °F).
- No exponga el paquete de baterías o el artefacto al fuego o a temperaturas excesivas. La exposición al fuego o a una temperatura superior a los 130 °C (265 °F) puede provocar explosiones.
- Utilice únicamente baterías de plomo y ácido RYOBI de 115Ah (LDC12-115) para podadora de pasto eléctrica tipo tractor.
- Solo cargue la batería con el cargador especificado por el fabricante. Un cargador adecuado para un tipo paquete de baterías puede significar un riesgo de incendio si se emplea con otro paquete de baterías.

REGLAS DE SEGURIDAD ADICIONALES PARA EL REMOLQUE










- No remolque una carga que exceda la mitad del peso del cortacésped + la mitad del peso del operador. Nunca exceda los 22 kg de peso de la lengüeta.
- Use el sentido común al remolcar. Una carga demasiado pesada en una pendiente es peligrosa. Los neumáticos pueden aflojarse en el suelo y ocasionar que pierda el control de su cortacésped. Al remolcar, nunca use el producto en pendientes empinadas de más de 5°.
- Siga las recomendaciones del fabricante para el peso y los contrapesos de las ruedas.
- No ponga el cortacésped en punto muerto cuando esté en declive. Trate de no ir en punto muerto al remolcar.
- Utilice únicamente enganches aprobados para su cortacésped específico. No enganche equipos remolcados excepto en el punto de enganche aprobado.
- Nunca permita la presencia de niños ni otras personas en un equipo remolcado.
- La distancia de frenado se incrementa con la velocidad y el peso de la carga remolcada. Viaje lentamente y use mucho tiempo y distancia para frenar.
- No gire bruscamente cuando esté remolcando. Haga giros abiertos para evitar el efecto tijera. Sea precavido cuando gire o haga funcionar la máquina bajo condiciones adversas de la superficie. Tenga cuidado al usar la reversa.
- No intente tirar o desalojar objetos estacionarios con el enganche de remolque. La máquina puede pivotar sobre las ruedas motrices traseras y levantarse, lo que puede provocar lesiones personales graves o la muerte.
- No utilice cadenas, cables o cuerdas para tirar de accesorios que no estén diseñados para remolcar. Solo accesorios de remolque que incluyan un enganche de remolque.
- Vaya a baja velocidad al remolcar.

SÍMBOLOS

Las siguientes palabras de señalización y sus significados tienen el objeto de explicar los niveles de riesgo relacionados con este producto.







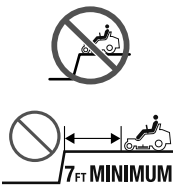


SÍMBOLO	SEÑAL	SIGNIFICADO
	PELIGRO:	Indica una situación peligrosa, la cual, si no se evita, causará la muerte o lesiones serias.
	ADVERTENCIA:	Indica una situación peligrosa, la cual, si no se evita, podría causar la muerte o lesiones serias.
	PRECAUCIÓN:	Indica una situación potencialmente la cual, si no se evita, puede causar lesiones leves o moderadas.
	AVISO:	(Sin el símbolo de alerta de seguridad) Indica la información que se considera importante, pero no relacionada con lesiones potenciales (por ej. en relación a daños a la propiedad).

Es posible que se empleen en este producto algunos de los siguientes símbolos. Le suplicamos estudiarlos y aprender su significado. Una correcta interpretación de estos símbolos le permitirá utilizar mejor y de manera más segura el producto.

SÍMBOLO	NOMBRE	DENOMINACIÓN/EXPLICACIÓN
	Alerta de seguridad	Indica un peligro posible de lesiones personales.
	Lea manual del operador	Para reducir el riesgo de lesiones, el usuario debe leer y comprender el manual del operador antes de usar este producto.
	Protección ocular	Siempre póngase protección ocular con protección lateral con la marca de cumplimiento de la norma ANSI Z87.1.
	Mantenga alejados a los niños	Mantenga a los niños lejos del área de podado y bajo el cuidado atento de un adulto responsable que no sea el operario.
	Alerta de condiciones húmedas	Riesgo de incendio y quemaduras. No esponga la batería, el compartimento de la batería o componentes electrónicos a la lluvia, el agua o líquidos. No esponga la podadora a la lluvia o a lugares húmedos, ni cargue la batería en esas condiciones. No use la herramienta en pisos húmedos.
	Descarga eléctrica	Si no se usa la unidad en condiciones secas y no se observan prácticas seguras de trabajo, puede producirse una descarga eléctrica.
	Electricidad	Este producto tiene un voltaje peligroso.
	Mantenga las manos y los pies alejados.	Mantenga las manos y los pies alejados de las cuchillas y del área de corte.
	No extenderse	No extienda las manos o los pies por debajo de la cubierta de la podadora.

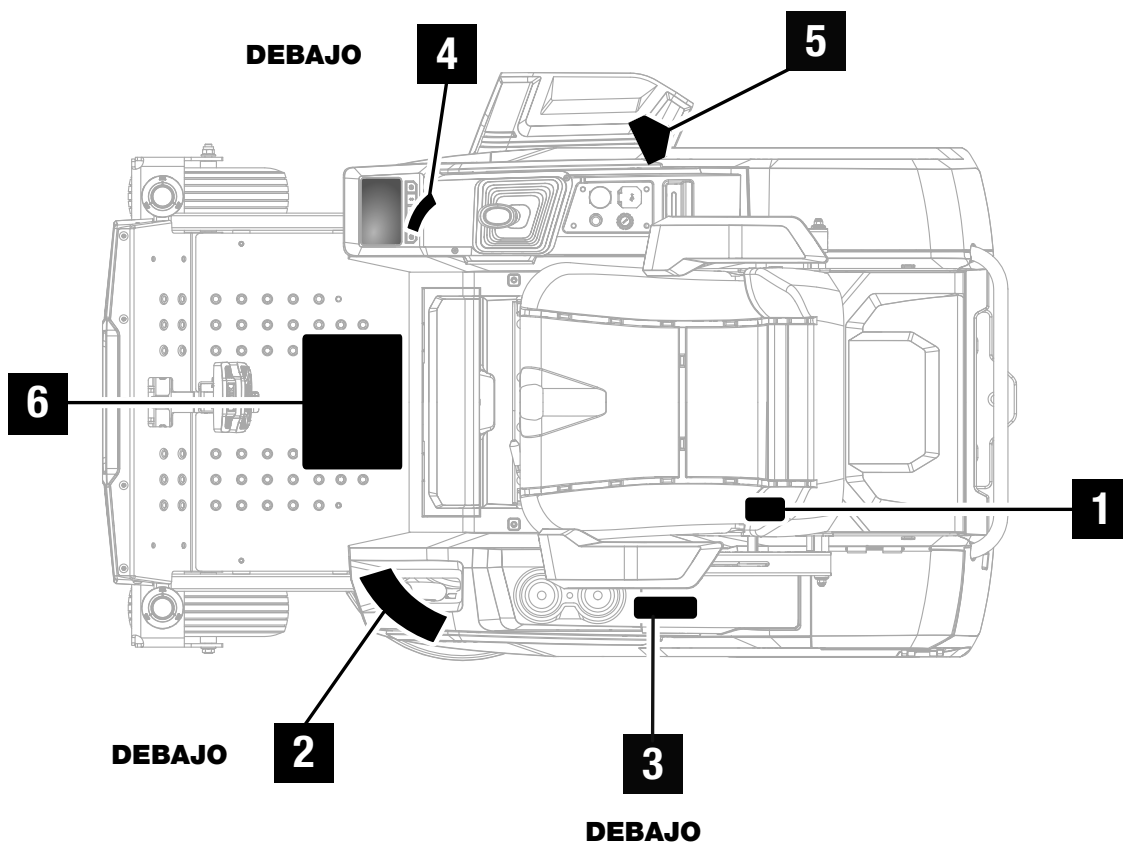
SÍMBOLOS

Es posible que se empleen en este producto algunos de los siguientes símbolos. Le suplicamos estudiarlos y aprender su significado. Una correcta interpretación de estos símbolos le permitirá utilizar mejor y de manera más segura el producto.

SÍMBOLO	NOMBRE	DENOMINACIÓN/EXPLICACIÓN
	No utilizar sobre pendientes	No utilice la podadora sobre pendientes pronunciadas o pendientes superiores a los 15°. Pude las pendientes en sentido ascendente y descendente, nunca en sentido transversal.
	Mantenga alejados a los niños y circunstantes	Mantenga a los niños, otras personas, y animales alejadas a una distancia mínima de 30,5 m (100 pies).
	Rebote	Cualquier objeto lanzado puede rebotar y producir lesiones personales o daños físicos.
	Objetos lanzado	Cualquier objeto lanzado puede rebotar y producir lesiones personales o daños físicos. Nunca dirija el material descargado hacia una persona.
	Sin pasajeros	Nunca lleve a niños ni otras personas, incluso cuando las cuchillas estén desactivadas.
	Use la reversa con precaución	Mire siempre hacia abajo y hacia atrás antes y cuando maniobre en reversa o gire. Asegúrese de que el área esté libre de niños, transeúntes y mascotas.
	Manténgase alejado de cunetas, caídas o agua	Manténgase a, al menos, dos anchos de podado (2,13 m [7 pies]) de cunetas, caídas o agua. Las ruedas delanteras podrían girar cuando la podadora esté detenida, incluso con el freno colocado, y hacer que la podadora caiga en un pozo o al agua.
	Símbolo de reciclado	Este producto utiliza baterías de iones de litio (Li-ion). Es posible que algunas leyes municipales, estatales o federales prohíban desechar las baterías en la basura normal. Consulte a las autoridades reguladoras de desechos para obtener información en relación con las alternativas de reciclado y desecho disponibles.
	Corriente continua	Tipo o característica de corriente
V	Volts	Voltaje
A	Amperes	Corriente
Hz	Hertz	Frecuencia (ciclos por segundo)
W	Watts	Potencia
hrs	Horas	Tiempo

ETIQUETAS DE SEGURIDAD

Las siguientes etiquetas se encuentran en el producto. Para su seguridad, revise y comprenda todas las etiquetas antes de encender el producto. Si alguna de las etiquetas se desprende de la unidad o se vuelve ilegible, comuníquese con un centro de servicio autorizado para reemplazarla.



1

RYOBI RYRM8001 LITHIUM ZERO TURN MOWER
 099269009 TONDEUSE AU LITHIUM À BRAQUAGE ZÉRO
 PODADORA LITIO DE GIRO CERO

80V $\overline{=}$ / 40V $\overline{=}$
 30 in. (76.2 cm) Cutting Path / Chemin de coupe / Trayectoria de corte

Use only with batteries listed in operator's manual or 80V OP801720 or 40V OP40125. For use only with 80V OP80RM charger. / Utiliser seulement avec les piles spécifiés dans le manuel d'utilisation ou OP801720 80V ou OP40125 40V. Utiliser seulement l'outil avec le chargeur OP80RM 80V. / Utilizar sólo con el baterías enumerados en el manual del operador o 80V OP801720 o 40V OP40125. Para ser usada con el cargador 80V OP80RM.

TTI Outdoor Power Equipment, Inc.
 P.O. Box 1288, Anderson, SC 29622
 1-800-525-2579 • www.ryobitools.com

COLD TIRE PRESSURE	
Front Tire	Rear Tire
19 PSI	18 PSI
131 kPa	124.1 kPa

Made in China / Fabriqué en Chine / Fabricado en China

10YearWarranty

2

⚠ DANGER

Risk of injury. Keep hands and feet away from rotating blades. Make sure mower and blades are stopped before placing hands or feet near blades. Do not operate mower unless chute deflector or entire grass catcher is in its proper place. Do not put hands or feet under or into mower when motor is running. Before mowing, clear area of objects that may be thrown by the blade.

Etiquetar a especial provisto. Llame a 1-800-525-2579 para su sustitución.

Assemble chute deflector to this unit before operating.

3

ETIQUETAS DE SEGURIDAD

4



5

PEDAL DE FRENO

- Presione el pedal para **ACTIVAR EL FRENO**
- El **PEDAL DE FRENO** se usa para disminuir la velocidad de la podadora o detenerla en una situación de emergencia o cuando quiera estacionar. Use **SIEMPRE** las palancas de control para disminuir la velocidad de la unidad.

FRENO DE MANO

FRENO DE MANO ACTIVADO

- Presione el pedal de **FRENO** en la parte superior hacia abajo para activar el **FRENO DE MANO (P)**

FRENO DE MANO DESACTIVADO

- Presione el **PEDAL DE FRENO** para desactivar la función de **FRENO DE MANO**.

⚠ PELIGRO

LAS CUCHILLAS GIRATORIAS Y UN VUELCO PODRÍAN PROVOCAR LA MUERTE O LESIONES GRAVES. SIGA TODAS LAS INSTRUCCIONES DE FUNCIONAMIENTO

- Lea el manual del operador.
- No use el producto a menos de 30,48 m (100 pies) de niños, personas que transiten ni animales.
- Nunca lleve a niños ni otras personas, incluso cuando las cuchillas estén desactivadas.
- La podadora puede utilizarse en reversa y girar con las cuchillas activadas.
- Mire siempre hacia abajo y hacia atrás antes y durante una maniobra en reversa o cuando gire.
- No se recomienda podar en reversa.
- Suba y baje pendientes, pero no use la unidad en sentido transversal.

- Evite pendientes de más de 15 grados y pendientes húmedas.
- Si la podadora se detiene mientras sube una pendiente, detenga las cuchillas, mire hacia atrás y retroceda lentamente.
- No use la podadora en un lugar donde podría patinar o volcar.
- Evite giros repentinos.
- Manténgase a, al menos, dos anchos de podado (2,13 m [7 pies]) de cunetas, caídas o agua. Las rueditas delanteras pueden girar cuando la podadora esté detenida, incluso con el freno colocado, y hacer que la podadora caiga en un pozo o al agua.

⚠ ADVERTENCIA

- Mantenga todos los dispositivos de seguridad, las protecciones, los cobertores e interruptores en su lugar y en funcionamiento.
- Conozca la ubicación y función de todos los controles.
- Antes de abandonar la posición del operador, desactive las cuchillas, coloque el freno de mano, apague la unidad y retire la llave.
- Mantenga las manos y los pies alejados de las piezas giratorias.
- Retire todos los objetos del área de podado que puedan ser arrojados por las cuchillas.
- Guarde la podadora en interiores cuando no la use.

- No exponga la batería, el compartimento de la batería o componentes electrónicos a la lluvia, el agua o líquidos. No exponga la podadora a la lluvia o a lugares húmedos, ni cargue la batería en esas condiciones.

NOTA: Las etiquetas de su podadora pueden contener traducciones adicionales, o se pueden incluir versiones traducidas por separado de las etiquetas. Las etiquetas traducidas se pueden instalar por encima de las etiquetas que se encuentran actualmente en la podadora. Para una mejor adhesión, limpie y seque siempre la superficie de montaje antes de la instalación.

CARACTERÍSTICAS

ESPECIFICACIONES DEL PRODUCTO

Motor 80 V CA
 Ajustes de altura..... 38,1 mm a 114,3 mm (1-1/2 pulg. a 4-1/2 pulg.)
 Tamaño de las ruedas 330,2 mm (13 pulg.) delanteras
 457,2 mm (18 pulg.) traseras
 Tamaño de la unidad 76,2 cm (30 pulg.)
 Radio de giro 0

Velocidad máx.: Avance 11,3 KM/H (7 MPH)
 Podado (cuch. activadas)
 y impulso de velocidad baja..... 11,3 KM/H (7 MPH)
 Reversa 6,4 KM/H (4 MPH)
 Presión de los neumáticos en frío 19 psi (131 kpa) delanteras
 18 psi (124,1 kpa) traseras
 Corriente de entrada del cargador 120 V, sólo corr. alt, 60 Hz
 Tiempo de carga Toda la noche

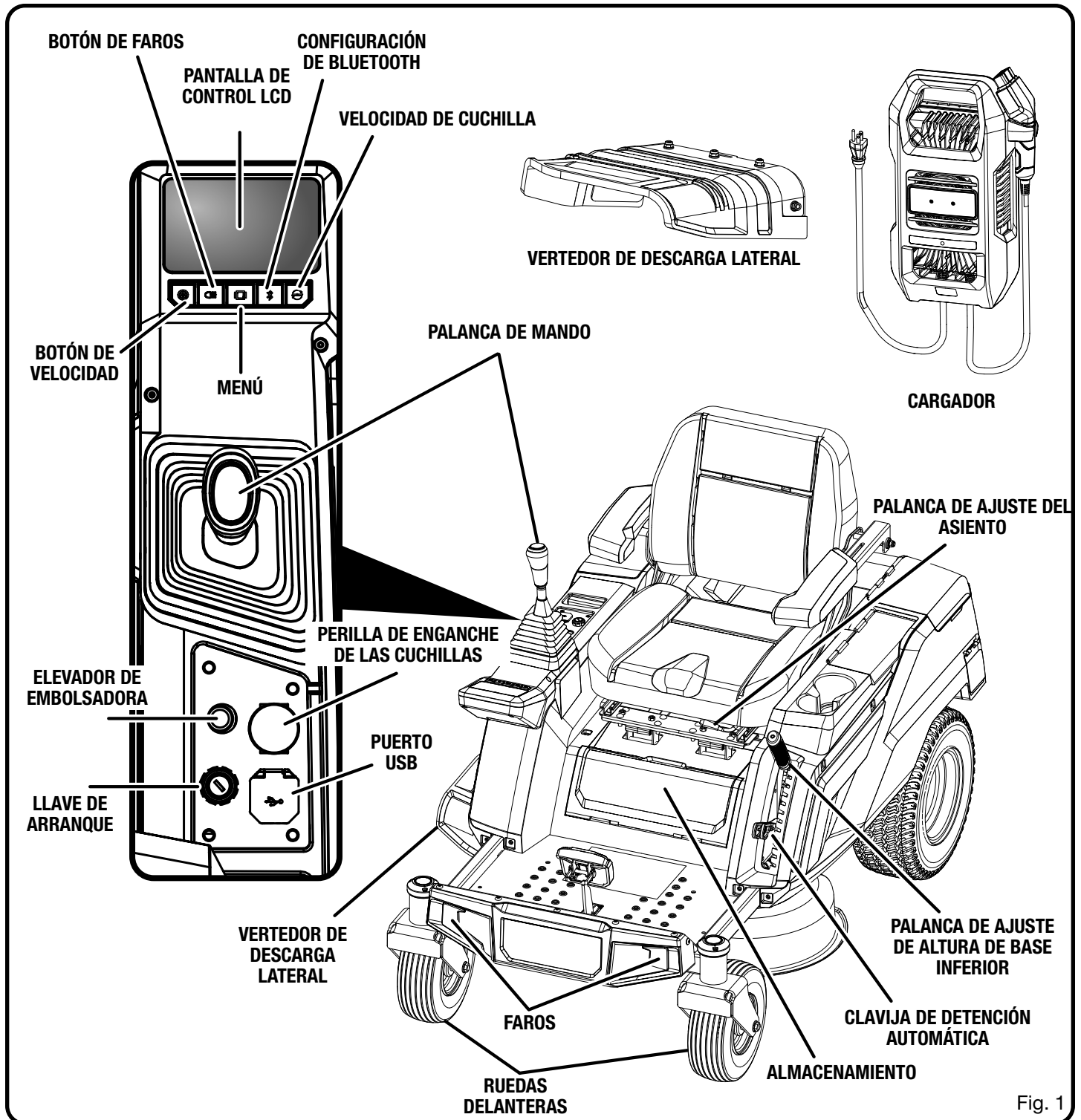


Fig. 1

CARACTERÍSTICAS

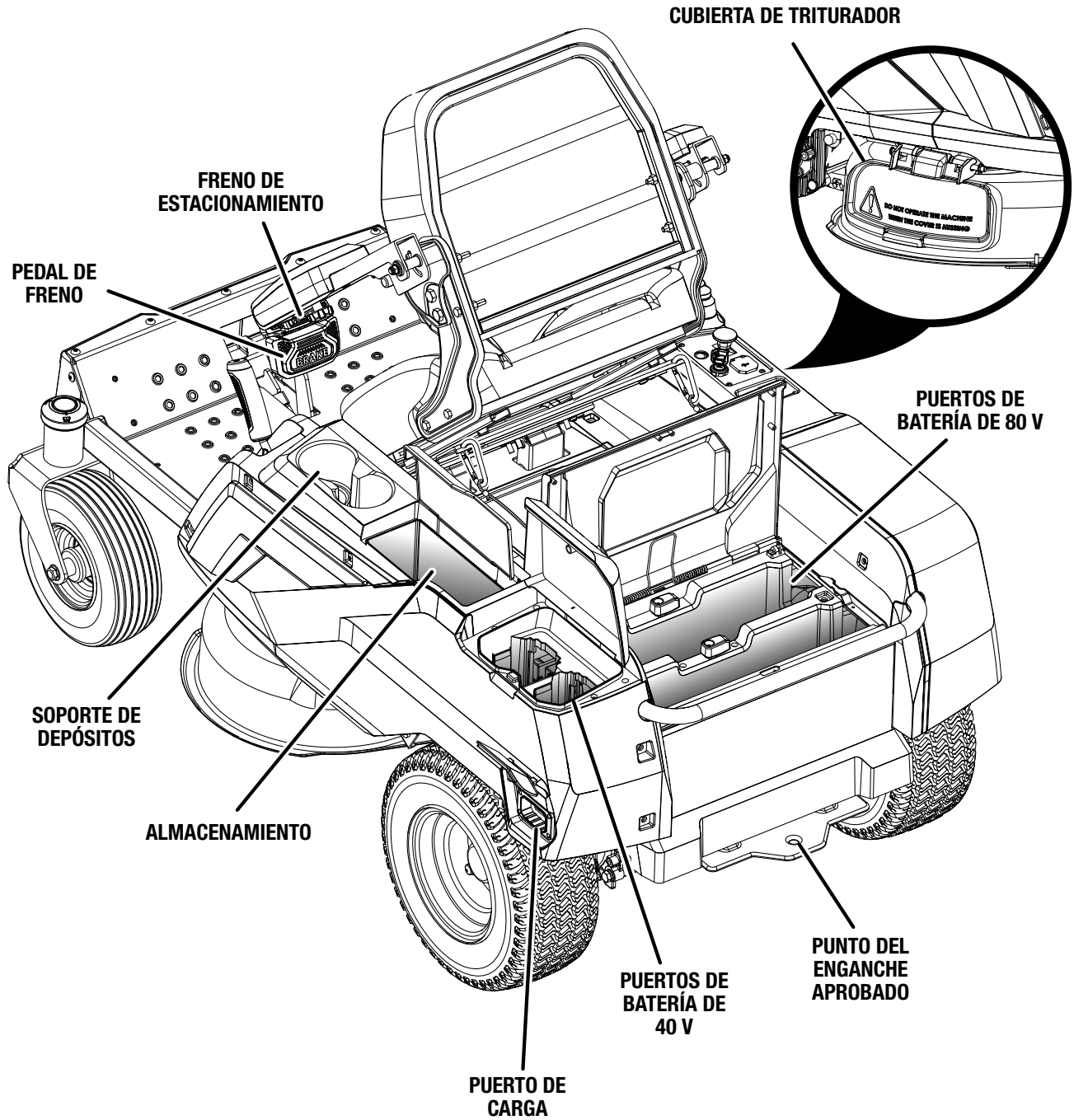


Fig. 2

CARACTERÍSTICAS

FAMILIARÍCESE CON SU PODADORA DE PASTO

Vea la figura 1.

Para usar este producto con la debida seguridad se debe comprender la información indicada en el producto mismo y en este manual, y se debe comprender también el trabajo que intenta realizar. Antes de usar este producto, familiarícese con todas las características de funcionamiento y normas de seguridad del mismo.

REPOSABRAZOS AJUSTABLES

Dos apoyabrazos brindan soporte para los brazos y mayor comodidad mientras corta el césped.

CLAVIJA DE DETENCIÓN AUTOMÁTICA

La clavija de detención automática se puede utilizar para mantener la posición de la altura de corte de la plataforma que prefiere o como bloqueo de elevador de la plataforma al retirar la plataforma de corte. Consulte la sección Mantenimiento para obtener más información sobre cómo retirar la plataforma de corte.

PERILLA DE ENGANCHE DE LAS CUCHILLAS

Tire de la perilla de enganche de las cuchillas para activar las cuchillas de corte de la podadora. Empuje la perilla hacia abajo para detener las cuchillas de corte.

BOTÓN DE VELOCIDAD DE LA CUCHILLA

Presione el botón de velocidad de las cuchillas para aumentar o disminuir la velocidad de las cuchillas.

PEDAL DE FRENO

El pedal de freno se utiliza para detener la podadora en una situación de emergencia o al estacionar la unidad.

CARGADOR

El cargador de la podadora tiene una característica para colgar la bocallave, para ahorrar espacio de almacenamiento. Al colgar de las ranuras de la bocallave, use al menos un tornillo adicional en el orificio de la brida de montaje para asegurarla en el lugar. Siempre instálelo de tal manera que la luz LED de estado del cargador esté visible mientras se carga.

PALANCA DE AJUSTE DE ALTURA DE BASE INFERIOR

La palanca de ajuste de altura de la base inferior se utiliza para elevar o descender la base de corte. Establezca la clavija de detención automática en la altura de corte que normalmente emplea para facilitar el uso al podar.

BOTÓN DE VELOCIDAD DE CONDUCCIÓN

Presione el botón de velocidad de conducción para limitar la velocidad de la podadora cuando esté operando en espacios reducidos o en pendientes. Esta configuración también sirve para usuarios inexperimentados mientras aprenden a usar la podadora.

BOTÓN DE FAROS

Encienda y apague los faros utilizando el botón de faros.

PALANCA DE CONTROL iDRIVE

La palanca de mando iDrive permite que el usuario opere fácilmente la podadora con una sola mano. El software está diseñado para corregir giros graduales de las ruedas para ayudar a eliminar las chuletas en el césped.

PANTALLA LCD

La pantalla LCD supervisa y activa varias de las funciones de la podadora.

FRENO DE ESTACIONAMIENTO

Use el freno de estacionamiento para bloquear la podadora en la posición de frenado.

INTERRUPTOR DE ENCENDIDO CON LLAVE DE ARRANQUE

El interruptor de encendido se utiliza para encender o apagar la podadora. La llave de arranque se debe insertar antes de hacer funcionar el interruptor. Cuando la llave está en la posición accesoria, el interruptor también se utiliza para alimentar accesorios opcionales de la podadora aprobados por el fabricante.

PALANCA DE AJUSTE DEL ASIENTO

Utilice la palanca de ajuste del asiento para mover el asiento a la posición deseada.

ESPACIO PARA ALMACENAMIENTO

Las soportes de medios ofrece un lugar conveniente para guardar su teléfono celular.

PUERTO USB

El puerto de carga para USB proporciona potencia de carga de 5 voltios CC de hasta 2 amperios para su teléfono celular, reproductor de MP3 u otros dispositivos USB. Consulte en el manual de propietario de su dispositivo los requisitos de carga específicos.

Conecte un extremo de un cable USB (no suministrado) a su dispositivo, el otro extremo del cable al puerto de carga USB en el podadora de pasto para comenzar a cargar su dispositivo.

AVISO:

Si intenta cargar dispositivos de más de 2 amperios podría dañar el puerto de carga para USB y/o el podadora de pasto. Cierre siempre la tapa de USB cuando la entrada no esté en uso para evitar que quede suciedad atrapada en el puerto.

NOTA: El puerto USB solo se alimenta cuando la llave de arranque está en la posición de ENCENDIDO.



ADVERTENCIA:

Nunca utilice auriculares u otros dispositivos electrónicos, como teléfonos inteligentes o tabletas, mientras haga funcionar la podadora. El funcionamiento distraído puede provocar un accidente que podría causar la muerte o lesiones personales graves al operario o a un transeúnte.

FUNCIONAMIENTO

⚠ ADVERTENCIA:

No permita que su familiarización con este tipo de producto lo vuelva descuidado. Tenga presente que un descuido de un instante es suficiente para causar una lesión grave.

⚠ ADVERTENCIA:

Siempre utilice protección para los ojos con escudos laterales que cumplan con ANSI Z87.1. La inobservancia de esta advertencia puede causar el lanzamiento de objetos a los ojos, y por consecuencia posibles lesiones serias.

⚠ ADVERTENCIA:

Siempre apague la podadora, asegúrese de que las cuchillas se hayan detenido y retire la llave del arranque de la podadora antes de instalar las piezas, realizar ajustes, limpiarla o cuando no la utilice. Esto evitará que la unidad se accione accidentalmente y provoque lesiones graves.

⚠ ADVERTENCIA:

Antes de cada uso, inspeccione todo el producto para detectar algún daño, partes faltantes o sueltas las cuchillas no esté dañada o desgastada. El funcionamiento de la podadora con piezas dañadas o faltantes puede ocasionar lesiones graves.

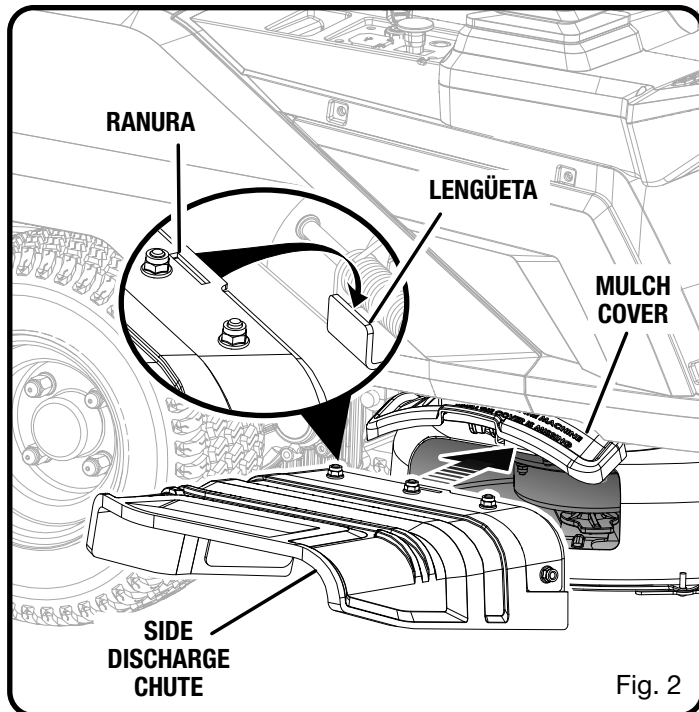
AVISO:

Antes de cada uso, inspeccione todo el producto para detectar partes dañadas, faltantes o sueltas, como tornillos, tuercas, pernos, tapas, etc. Apriete firmemente todos los sujetadores y las tapas y no accione este producto hasta que todas las partes faltantes o dañadas sean reemplazadas. Póngase en contacto con el servicio al cliente o con un centro de servicio autorizado para obtener ayuda.

USOS

Esta herramienta puede emplearse para el fin señalado abajo:

- Podar el pasto



INSTALACIÓN DEL VERTEDOR DE DESCARGA LATERAL

Vea la figura 2.

La podadora viene preparada para triturar con la tapa para trituración a resorte colocada. Si desea trabajar con descarga lateral, instale el vertedor correspondiente.

- Retire la llave del arranque de fusible y paquete de baterías.
- Levante y sujete la tapa para trituración.
- Inserte el vertedor de descarga lateral como se muestra en la imagen, alineando las dos muescas con las lengüetas a cada lado de la tapa para trituración.
- Baje la tapa para trituración hasta que las lengüetas queden colocadas en las muescas del vertedor de descarga lateral.
- Vuelva a instalar la llave del arranque y el paquete de baterías cuando esté listo para podar el pasto.

COLOCACIÓN DEL FRENO DE ESTACIONAMIENTO

Vea la figura 3.

Para colocar el freno de estacionamiento:

- Coloque la palanca de mando en la posición neutra y bloqueada. (Consulte **Aprenda a conducir la podadora** más adelante en la sección *Operación*).

FUNCIONAMIENTO

- Oprima hasta el fondo y sostenga el pedal de freno.
- Presione el pie hacia delante y apriete completamente el freno de mano con los dedos del pie.
- Suelte el pedal de freno.
- **Para soltar la palanca de freno de estacionamiento:** oprima y suelte el pedal de freno.

⚠ ADVERTENCIA:

Nunca deje la podadora sin supervisión cuando el motor esté funcionando o con la llave colocada en el interruptor de encendido. Verificar que el freno de estacionamiento y la clave se ha eliminado. Si no coloca el freno de estacionamiento podría provocar que se mueva la podadora, y al dejar la llave podría permitir el uso sin autorización, lo que podría provocar lesiones físicas graves.

AJUSTE DEL ASIENTO

Vea la figura 4.

Ajuste la posición del asiento hacia adelante o hacia atrás para asegurarse de que pueda hacer contacto firme con el pedal del freno antes de operar la podadora.

Para mover el asiento hacia adelante o hacia atrás:

- Gire la llave a la posición de APAGADO y coloque el freno de estacionamiento.
- Siéntese en el asiento y levante la palanca de ajuste del asiento.
- Mientras sostiene la palanca, deslice el asiento hasta la posición deseada.
- Suelte la palanca y asegúrese de que el asiento esté trabado en su posición antes de hacer funcionar la podadora.

⚠ ADVERTENCIA:

Asegúrese de que el asiento esté en su lugar antes de hacer funcionar la podadora. Un asiento que no está asegurado puede provocar que el operario pierda el control de la podadora y causar una posible muerte o heridas físicas graves.

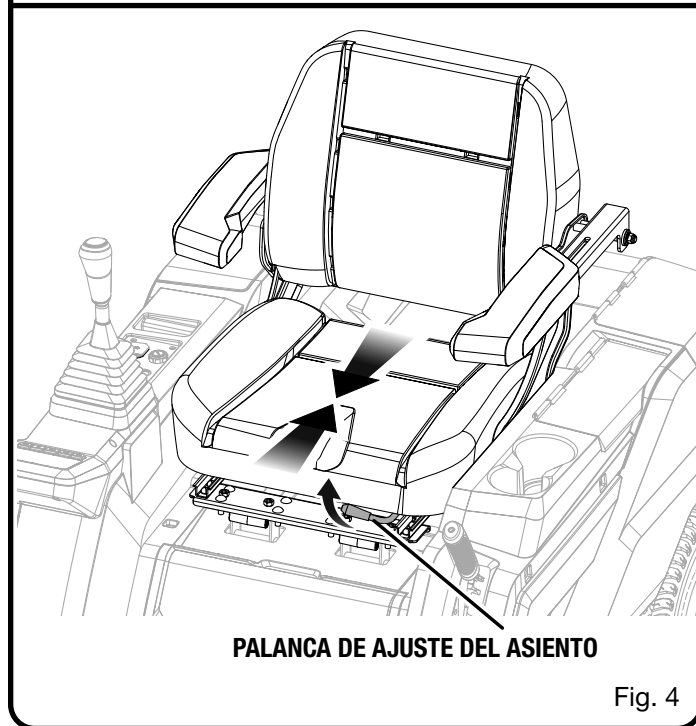
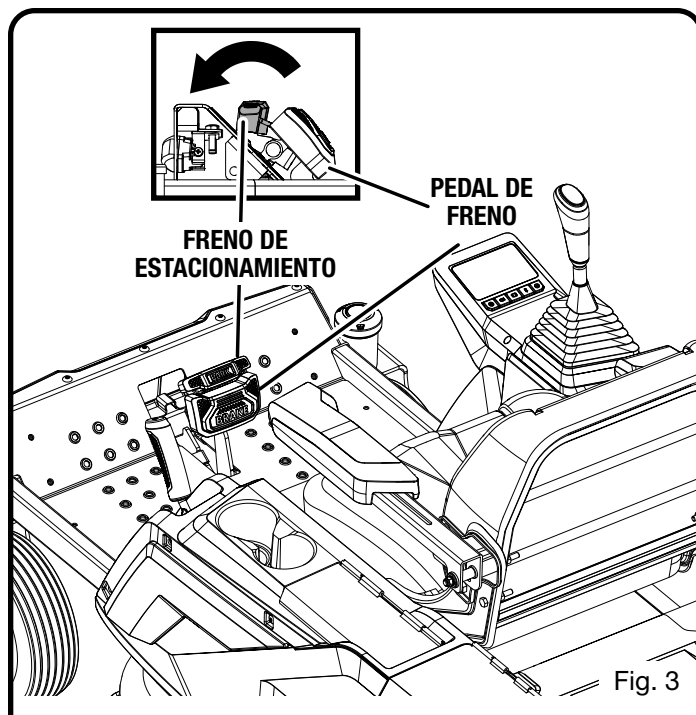
AJUSTE DEL REPOSABRAZOS

Voir la figure 5.

Ambos reposabrazos se ajustan hacia arriba y hacia abajo para obtener la altura de operación más cómoda. El reposabrazos izquierdo también se ajusta hacia delante y hacia atrás.

Para mover los reposabrazos hacia arriba y hacia abajo:

- Gire la llave a la posición apagado y ponga el freno de mano.



FUNCIONAMIENTO

- Retire los dos pernos como se muestra en la imagen.
- Suba o baje el reposabrazos a la altura deseada asegurándose de que ambos orificios para pernos aún estén alineados con los orificios del armazón del asiento.
- Vuelva a instalar los pernos y ajústelos firmemente.

Para mover el reposabrazos izquierdo hacia adelante o hacia atrás:

- Gire la llave a la posición apagado y ponga el freno de mano.
- Afloje la perilla y ajuste el reposabrazos a la posición deseada.
- Ajuste la perilla firmemente para asegurar el reposabrazos en su lugar.

⚠ AVERTISSEMENT :

Asegúrese de que los reposabrazos estén trabados en su lugar antes de operar la podadora. Un reposabrazos no seguro puede hacer que el operador pierda el control de la podadora, lo que puede ocasionar la muerte o lesiones personales graves.

ESTABLECER LA ALTURA DE LA BASE DE CORTE

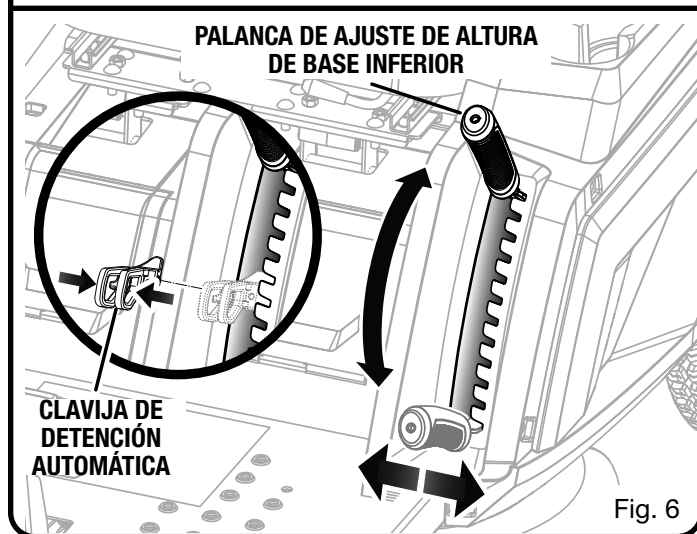
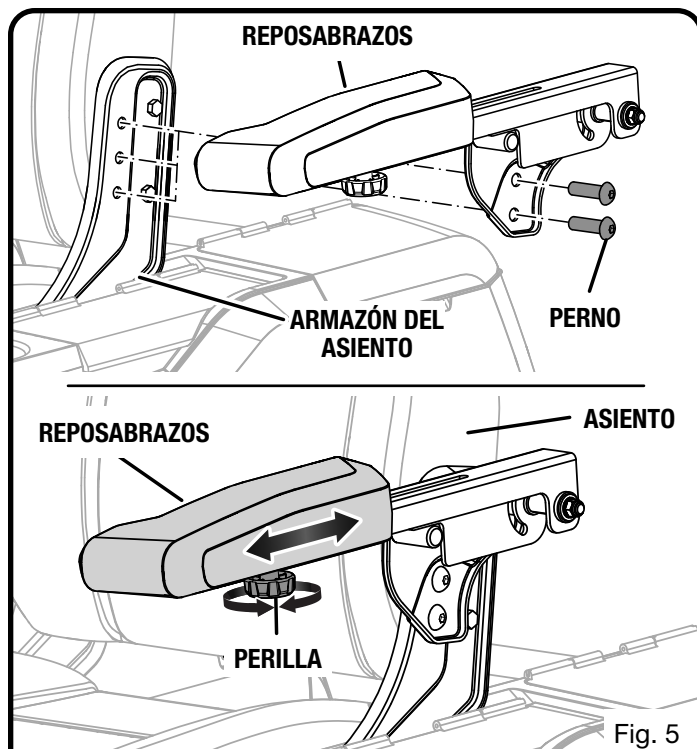
Vea la figura 6.

Antes de utilizar la podadora, levante la altura de la base a la posición de corte que mejor se aplica a su pasto.

NOTA: Para prevenir la formación de calvas en el pasto cuando se encuentre con lugares altos, las ruedas de la base de corte debe estar aproximadamente a 12,7 mm (1/2 pulg.) del suelo cuando la podadora esté a la altura de corte deseada. Cuando se envían, las ruedas de la base de corte están ajustadas en una posición de 38,1 mm (1,5 pulg.). Dependiendo de la altura deseada de corte, puede ser necesario cambiar la posición de las ruedas de la base de corte. Para hacerlo, consulte **Ajuste de las ruedas de la base de corte** en la sección *Mantenimiento* de este manual.

Para ajustar la altura de la base de corte:

- Detenga la podadora y desactive las cuchillas.
- Gire la llave a la posición de APAGADO y coloque el freno de estacionamiento.
- Para levantar la base de corte, tome la palanca de ajuste de altura de la base, presione hacia la izquierda para desenganchar desde la ranura, muévala hacia la parte trasera de la podadora; luego, presione hacia la derecha en la ranura para asegurar.
- Para bajar la base de corte, tome la palanca de ajuste de altura de la base, presione hacia la izquierda para desenganchar desde la ranura, muévala hacia la parte delantera de la podadora; luego, presione hacia la derecha en la ranura para asegurar.



⚠ PRECAUCIÓN:

Sostenga la palanca de ajuste de altura de la base cuando ajuste la altura y suéltela únicamente cuando esté segura en la ranura deseada. Soltar rápidamente la palanca puede apretar o producir riesgo de tracción en la mano del operario.

NOTA: Una vez que haya determinado la altura de corte apropiada del césped, coloque la clavija de detención automática justo debajo de esa posición para volver fácilmente a la altura de corte de podado correcta cuando quiera.

FUNCIONAMIENTO

RETIRAR/REEMPLAZAR UNA BATERÍA DE 40 VOLTIOS

Vea la figura 7.

Hay dos puertos de batería adicionales de 40 voltios que pueden ayudar a prolongar el funcionamiento de la podadora de césped de giro cero. Sin embargo, estas baterías adicionales no son necesarias para operar la unidad.

NOTA: La podadora de giro cero no funcionará solo con baterías de 40 voltios. La unidad debe tener al menos una batería de 80 voltios en funcionamiento para hacer funcionar los motores impulsores y de las cuchillas.

- Abra las cubiertas de la batería ubicadas a cada lado de la podadora de césped.
- Mientras presiona el pestillo de la batería, sujete la manija y levante la batería del puerto.
- Alinee las costillas realzadas del paquetes de baterías con las ranuras del puerto de la batería e instale el paquetes de baterías en la podadora.
- Asegúrese de que el pestillo esté bien trabado en su lugar.
- Baje la tapa de la batería y asegúrese de que esté bien cerrada.
- Repita los pasos para baterías adicionales si es necesario.

⚠ ADVERTENCIA:

Asegúrese de que el pestillo en la parte inferior del paquetes de baterías entre adecuadamente en su lugar y que el paquetes de baterías esté bien colocado y asegurado en el puerto de batería de la podadora antes de que encenderla. Una falla en colocar el paquetes de baterías de forma segura puede causar que el paquetes de baterías se desprenda y termine provocando lesiones corporales serias.

Para ver las instrucciones de carga completas, consulte los manuales del operador del paquetes de baterías y los modelos de cargador.

CARGA DE LA PODADORA

Vea la figura 8.

⚠ ADVERTENCIA:

Cargue las baterías de la podadora solamente en interiores, en un lugar seco. No exponga la podadora a la lluvia o a lugares húmedos, ni cargue la batería en esas condiciones. El agua y otros líquidos podrían entrar en contacto con los componentes de la podadora y la batería, y dañar las conexiones y los componentes electrónicos, lo que podría causar un corto circuito, mayor riesgo de incendio y lesiones personales graves.

Las baterías de la podadora se deben cargar completamente antes de su primer uso. Para verificar que las baterías de

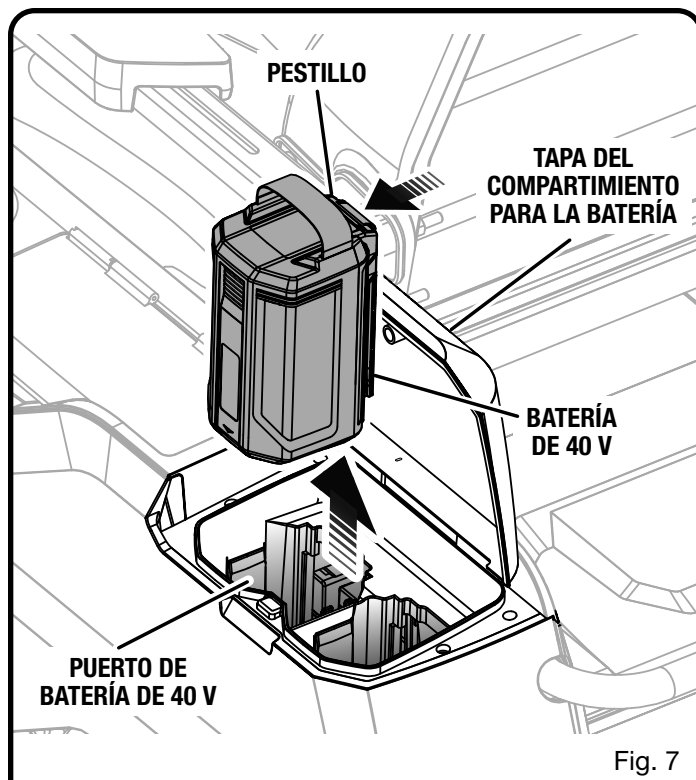


Fig. 7

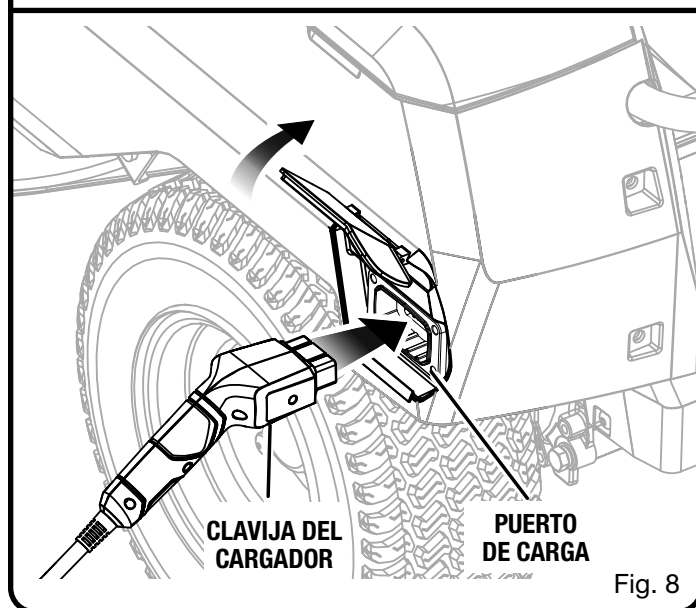


Fig. 8

la podadora estén completamente cargadas, controle el indicador de nivel de batería.

Para obtener resultados óptimos:

- No cargue la batería en un área con temperaturas extremadamente altas o bajas.
- Nunca cargue una batería congelada.
- Instale o coloque el cargador en un área con ventilación adecuada, idealmente con el cargador en posición horizontal con las aletas de ventilación hacia arriba.

FUNCIONAMIENTO

Para cargarlo:

- Asegúrese que las conexiones, tanto del cargador como de la podadora, estén limpias sin suciedad o desechos.
- Introduzca la clavija del cargador en el enchufe de entrada on mower, asegurándose de que estén conectados debidamente.
- Conecte el cargador en la toma de corriente usarse sólo con el voltaje doméstico normal, de 120 V, 60 Hz, corr. alt. Las baterías deben comenzar a cargar automáticamente.

NOTA: El cargador está equipado con una clavija con una pata para puesta a tierra y se debe enchufar en el tomacorriente estándar correspondiente provisto de una clavija de tres puntas que haya sido instalado y puesto a tierra de acuerdo con todos los códigos y ordenanzas locales. No utilice un tomacorrientes de dos patas, adaptadores ni modifique la clavija provista. Si no entra en la toma de corriente, llame a un electricista calificado para que instale una toma de corriente adecuada.

- Cuando se enciende y conecta a la podadora, el indicador LED en el cargador se iluminará para indicar el estado del cargador. Consulte la tabla a continuación para determinar el significado de la visualización del LED.
- Cuando esté listo para podar, desconecte el cargador del suministro de alimentación y, luego, desconecte el cargador de la podadora.

AVISO:

Coloque siempre el interruptor de encendido en la posición de APAGADO y quite la llave de la podadora cuando no esté en uso.

AVISO:

Conecte siempre la podadora al cargador cuando la unidad no esté en uso. Si no es posible dejar el cargador de la podadora conectado, asegúrese de cargar las baterías por completo al menos una vez por mes.

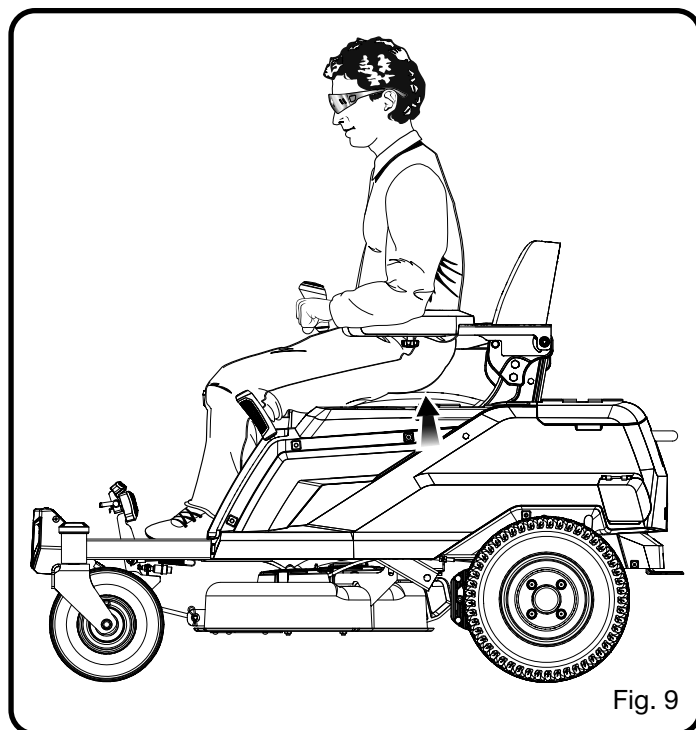


Fig. 9

SISTEMA DE SEGURIDAD

Vea la figura 9.

Esta podadora contiene un sistema de seguridad para proteger al operario desactivando las cuchillas si el operario abandona el asiento con las cuchillas funcionando. Pruebe el sistema antes de cada uso para asegurarse de que esté funcionando correctamente.

Para probarlo:

- Estacione la podadora en una superficie nivelada.
- Coloque el freno de estacionamiento.
- Asegúrese de que las palancas de impulso estén en posición neutra y que la perilla de activación de las cuchillas se encuentre hacia abajo.
- Instale la llave de arranque y gírela hacia la posición de ENCENDIDO.
- Levante la perilla de activación de las cuchillas para activarlas.
- Levántese brevemente del asiento, pero no descienda de la podadora.

Las cuchillas deberán desactivarse en 5 segundos. Si no lo hacen, comuníquese con el servicio al cliente. No haga funcionar la podadora hasta que el sistema de seguridad haya sido reparado.

FUNCIONAMIENTO

APRENDER A CONDUCIR LA PODADORA

Veas las figuras 10 a 13.

Usar una podadora de giro cero no es lo mismo que usar una podadora montable estándar. Las podadoras de giro cero tienen tracción trasera, y las ruedas funcionan de forma independiente según la posición de la palanca de mando. Antes de comenzar a podar el césped, le recomendamos especialmente que busque un área grande, nivelada y abierta para practicar, siguiendo las instrucciones que aparecen a continuación. Una vez que pueda realizar estas maniobras de manera cómoda y confiable, estará listo para comenzar a podar.

⚠️ ADVERTENCIA:

Despeje el área de personas que se encuentren en las inmediaciones antes de comenzar a usar la podadora. Si alguien ingresa al área de práctica, deténgase de inmediato y no siga practicando hasta que estas personas salgan del área.

⚠️ ADVERTENCIA:

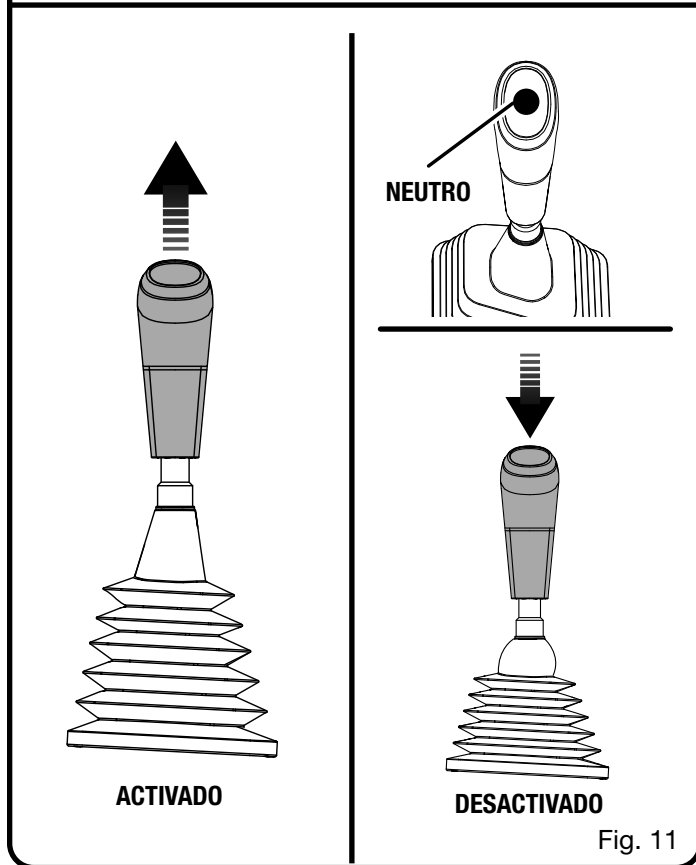
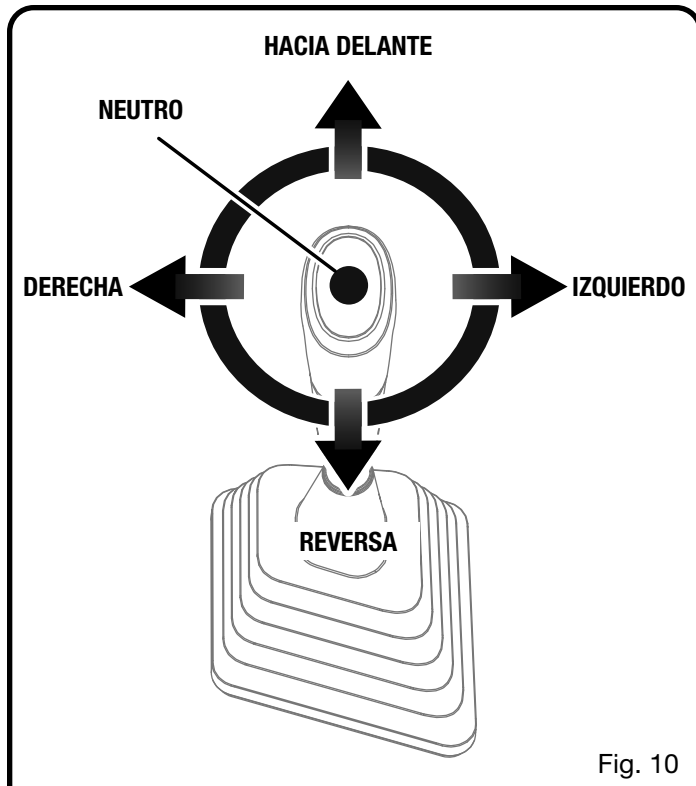
Evite arranques, detenciones y giros repentinos, así como también la velocidad excesiva, especialmente cuando esté aprendiendo a usar la podadora. La podadora podría girar rápidamente, lo que puede hacer que usted pierda el control y ocasionar la muerte, lesiones personales graves o daños en la podadora. Active la función de impulso de velocidad baja para limitar la velocidad disponible hasta que se sienta totalmente capacitado para usar la podadora en todas las situaciones.

La palanca de mando se utiliza para controlar la dirección de la podadora, así como también para arrancarla y detenerla.

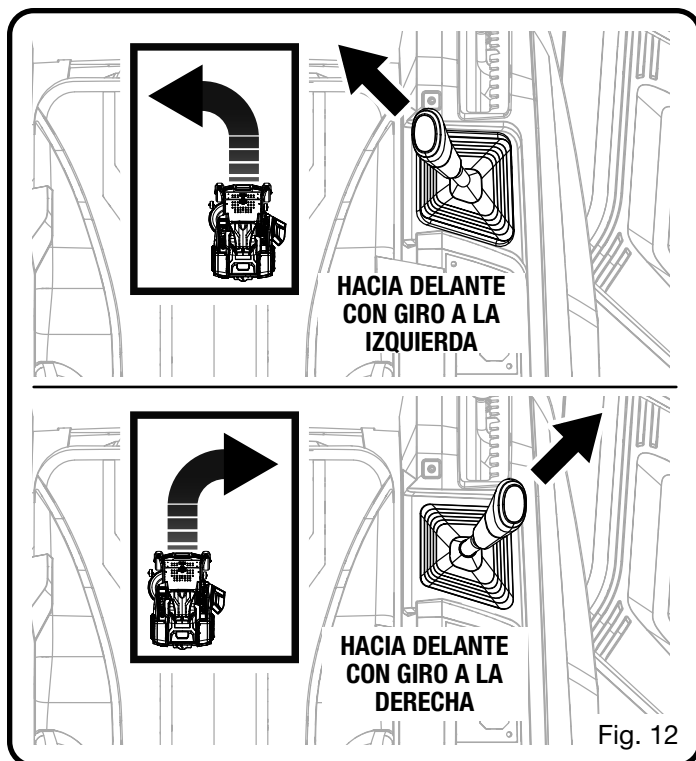
⚠️ ADVERTENCIA:

Mantenga la mano en la palanca de mando en todo momento cuando la podadora esté en movimiento. No suelte la palanca de mando para reducir la velocidad o detener la podadora. Si suelta la palanca de mando mientras la podadora está en movimiento, podría provocar la pérdida de control y morir, sufrir lesiones personales graves o causar daños a la podadora.

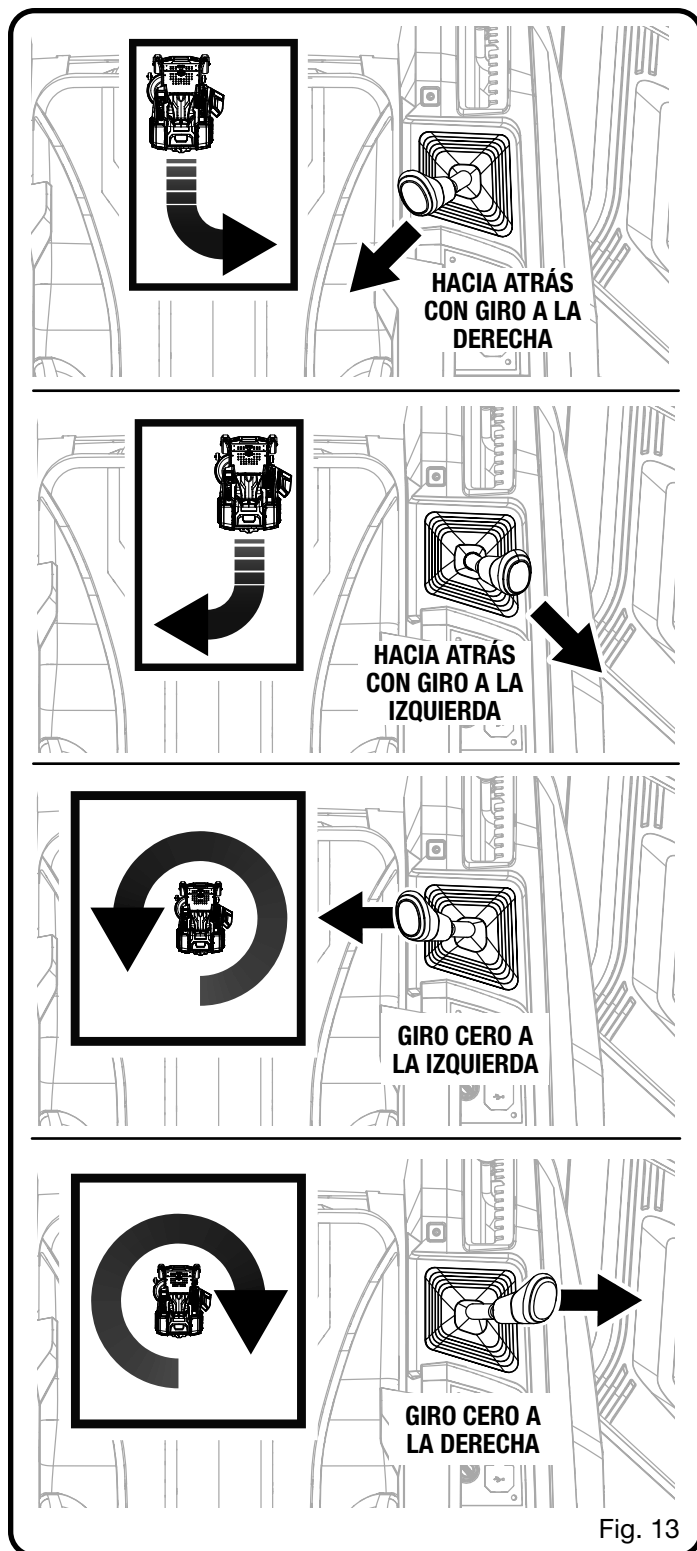
- Al entrar y salir del asiento de la podadora, la palanca de mando siempre debe estar en la posición **neutra** (centrada y empujada hacia abajo hasta la posición bloqueada).
- Una vez que esté sentado y listo para comenzar a podar, presione y suelte el pedal del freno para asegurarse de liberar el freno de mano.
- Asegúrese de que la palanca de mando esté en la posición neutra. La posición central también se utiliza para detener gradualmente la podadora.
- Inserte la llave de arranque y gírela hacia la posición de ENCENDIDO.



FUNCIONAMIENTO



- Seleccione la velocidad de conducción deseada (alta, media o baja) en la pantalla LCD.
- Levante la palanca de mando para liberarla de la posición neutra bloqueada. Empuje la palanca de mando **hacia adelante** (más allá de la posición neutra) para conducir la podadora hacia adelante en línea recta. Cuanto más adelante empuje la palanca de mando, más rápido irá la podadora. Para reducir la velocidad, tire de la palanca de mando hacia atrás hasta la posición neutra. Para detener la unidad, mueva la palanca de mando nuevamente a la posición neutra.
- Tire de la palanca de mando hacia atrás (antes de la posición neutra) para conducir la podadora **marcha atrás** en línea recta. Cuanto más hacia atrás tire de la palanca de mando, más rápido irá la podadora. Para reducir la velocidad, empuje la palanca de mando hacia atrás hacia la posición neutra. Para detener la unidad, mueva la palanca de mando nuevamente a la posición neutra.
- Para hacer giros, empuje la palanca de mando en la dirección de giro deseada. Al conducir hacia adelante o hacia atrás, el ángulo de la palanca de mando determinará la dirección del giro.
- Para hacer un giro cero, disminuya la velocidad, pero asegúrese de que las ruedas traseras aún estén en movimiento. Luego mueva la palanca de mando directamente hacia la derecha o hacia la izquierda. Esto determina la dirección de la rotación del giro.
- **NOTA:** Realice giros cero a baja velocidad para evitar daños en el césped.



FUNCIONAMIENTO

FUNCIONAMIENTO DE LA PODADORA

Vea las figuras 14 a 15.

⚠ ADVERTENCIA:

Despeje el área de transeúntes antes de hacer funcionar la podadora. Si alguien ingresa al área de podado, deténgase de inmediato y no vuelva a podar hasta que los transeúntes despejen el área.

Antes de encender la podadora:

- Asegúrese de que el área de trabajo esté despejada de niños, transeúntes y mascotas.
- Despeje el área de trabajo de objetos que pueden ser arrojados por las cuchillas de la podadora.
- Controle el funcionamiento del freno.
- Controle la presión de los neumáticos.
- Controle que no haya tornillos flojos.
- Controle que todas las protecciones estén en su lugar y funcionando correctamente.
- Limpie los desechos de la podadora.
- Pruebe el sistema de seguridad.
- Ajuste el asiento en la posición deseada.
- Verifique el nivel de carga de la batería del dispositivo.

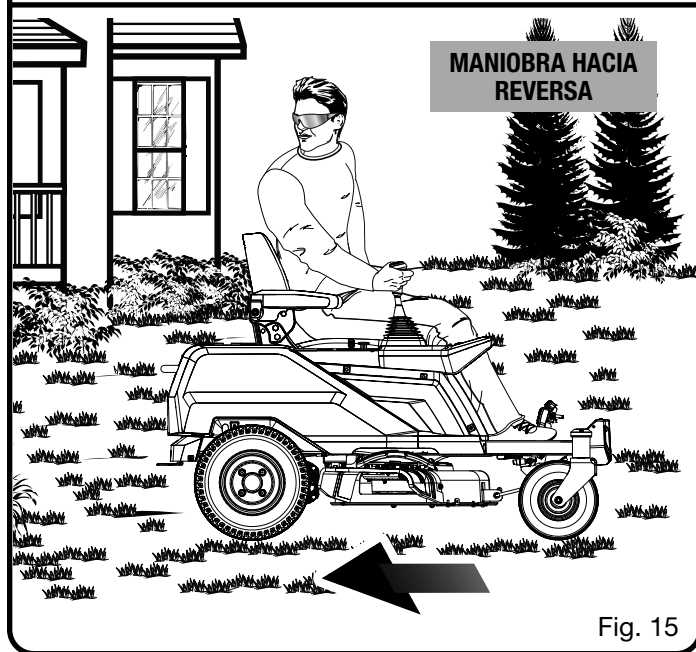
AVISO:

Cuando el nivel de carga de la batería alcance la zona roja en el indicador de carga de la batería, las cuchillas se desactivarán automáticamente. Vuelva de inmediato a la recarga. Continuar podando cuando el nivel de carga de la batería está en la zona roja puede provocar que la podadora se aparte del área de carga.

NOTA: Si la podadora continúa apartándose del cargador, será necesario colocar los palancas de impulso en posición neutra y volver a colocar la podadora a la ubicación de carga.

Podado:

- Levante la base de la podadora a la posición más alta.
- Asegúrese de que la palanca de mando estén en posición neutra.
- Inserte la llave de arranque y gírela hacia la posición de ENCENDIDO.
- Suelte el freno de estacionamiento.
- Mueva la palanca de mando a la posición neutra, luego diríjase hasta la ubicación de podado deseada.
- Detenga la podadora, gire la llave hacia la posición de APAGADO y coloque el freno de estacionamiento.
- Baje la base de corte a la posición deseada.
- Gire la llave a la posición de ENCENDIDO y suelte el freno de estacionamiento.



- Levante la perilla de activación de las cuchillas para activar las cuchillas y para podar como lo desea.

⚠ PELIGRO:

Manténgase a, al menos, dos anchos de podado (2,13 m [7 pies]) de cunetas, caídas o agua. Las ruedas delanteras podrían girar cuando la podadora esté detenida, incluso con el freno colocado, y hacer que la podadora caiga en un pozo o al agua, lo que podría causarle la muerte o lesiones personales graves.



FUNCIONAMIENTO

⚠ ADVERTENCIA:

Tenga precaución al cruzar caminos de ripios o aceras. Antes de cruzar, desactive las cuchillas y levante la base de corte a la posición más alta para minimizar la posibilidad de rebote. Conduzca lentamente para evitar la pérdida de tracción y de control.

⚠ ADVERTENCIA:

No pade en reversa a menos que sea sumamente necesario. Mire siempre hacia abajo y hacia atrás antes y mientras retrocede para asegurarse de que no ingresen niños, transeúntes o mascotas en el área de podado. Tenga presente que un descuido de un instante es suficiente para infligir la muerte o una lesión grave.

⚠ ADVERTENCIA:

No intente cambiar la dirección de manera repentina entre “hacia delante” y “hacia atrás” con la podadora en movimiento. Deténgase siempre por completo antes de cambiar la dirección de la podadora para evitar la pérdida de control y evitar la muerte o lesiones personales graves.

Cuando se complete el podado:

- Detenga la podadora en una superficie llana y nivelada llevando la palanca de mando juntas a la posición neutra. No detenga la podadora sobre una pendiente.
- Presione la perilla de activación de las cuchillas para desactivarlas.
- Coloque las palancas de impulso en posición abierta.
- Coloque el freno de estacionamiento.
- Gire la llave hacia la posición de APAGADO.
- Retire la llave de arranque si va a abandonar la podadora, incluso si lo hará por un breve período.

⚠ ADVERTENCIA:

Si el podadora emite un pitido después de salir del asiento, verificar que el freno de estacionamiento y la clave se ha eliminado. Si no coloca el freno de estacionamiento podría provocar que se mueva la podadora, y al dejar la llave podría permitir el uso sin autorización, lo que podría provocar lesiones físicas graves.

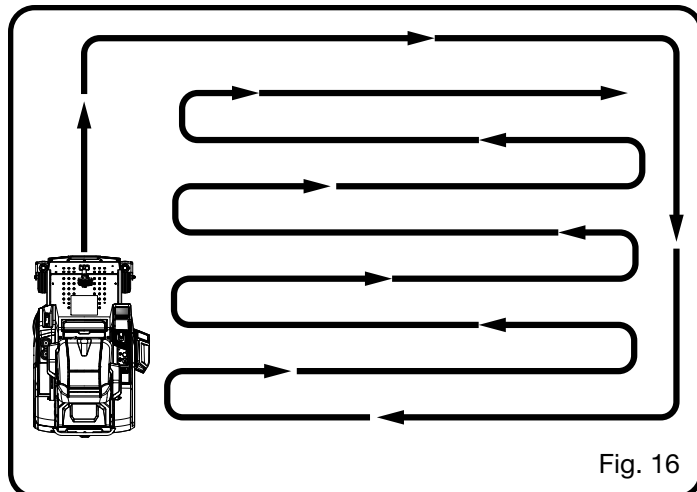


Fig. 16

SUGERENCIAS PARA EL PODADO

Vea la figura 16.

- Mantenga las cuchillas afiladas.
- Asegúrese de que el pasto no tenga piedras, palos, alambres, juguetes, frutos secos, ramas de árboles, ni otros objetos que puedan dañar las cuchillas o el motor de la podadora de pasto. No corte sobre estacas que indican los límites de la propiedad o sobre otros postes metálicos. Dichos objetos podrían ser dañados por la podadora en cualquier dirección y provocar lesiones serias al operador y a otras personas.
- Para tener un pasto saludable, siempre corte un tercio o menos de la longitud total de la hierba.
- Cuando pade áreas grandes, comience girando a la derecha para que las hierbas se descarguen lejos de los arbustos, los cercos, las aceras, etc. Después de una o dos vueltas, pade hacia atrás y hacia delante en el césped, girando sobre el borde de la superficie ya podada.

AVISO:

Para evitar daños en la podadora, conduzca a velocidad baja cuando gire, en lugar de hacerlo en un círculo cerrado.

- Al cortar hierba frondosa, reduzca la velocidad para poder obtener un corte más eficaz y una descarga adecuada de los recortes.
- La hierba nueva o gruesa puede requerir un corte más bajo o una mayor altura de corte.
- Mantenga limpios la base de la podadora y el vertedor de descarga. Quite la hierbas, hojas, polvo y otra suciedad acumulada antes y después de cada uso. No la rocíe con una manguera de jardín para limpiarla.
- **NOTA:** Siempre detenga la podadora, espere a que las cuchillas se detengan por completo y retire la llave del arranque de fusible antes de limpiar debajo de la podadora.

FUNCIONAMIENTO

MANEJO EN PENDIENTES

Vea la figura 17.

⚠ PELIGRO:

Las pendientes son un factor importante relacionado con vuelcos y accidentes de vuelcos, lo que provocar la muerte o la lesiones graves. El manejo en pendientes requiere precaución extra. Si se siente inseguro en una pendiente, no la podes. Para su seguridad, no intente podar pendientes steep de más de 15 grados. No retroceda en pendientes hacia abajo, a menos que la podadora se detenga cuando suba una. En esa situación, detenga las cuchillas, mire hacia atrás y retroceda lentamente. Haga una copia o copie la imagen guía de la pendiente más adelante en este manual y utilícela para determinar si su pendiente es demasiada pronunciada para el funcionamiento seguro.

- Podes las pendientes en sentido ascendente y descendente, no en sentido transversal.
- No podes el pasto húmedo. El pasto húmedo puede causar que los neumáticos pierdan tracción o se deslicen sobre las pendientes, incluso cuando los frenos funcionen correctamente.
- Tenga cuidado con los pozos, surcos, piedras, objetos ocultos o montículos que puedan provocar que se resbale o tropiece. La hierba alta puede ocultar obstáculos. Retire todos los objetos como piedras, ramas de árboles, etc., que puedan provocar tropezones o ser lanzados por la cuchilla.
- No podes el pasto cerca de precipicios, zanjas o terraplenes.
- Conduzca lentamente y no haga cambios repentinos de velocidad o de dirección.
- Evite detenerse en las pendientes mientras sea posible. Si la detención es inevitable, asegúrese de colocar el freno de estacionamiento. Cuando vuelva a arrancar, utilice la menor velocidad posible. Si es necesario girar, utilice extrema precaución al cambiar de dirección y siempre gire en sentido descendente.
- Nunca intente estabilizar la podadora sobre una pendiente colocando el pie en el suelo durante el funcionamiento.
- Use siempre los palancas de impulso y los frenos cuando descienda de la pendiente. No intente dejar la podadora descendiendo de la pendiente en neutro.
- Si en algún punto los neumáticos pierden tracción mientras esté funcionando en una pendiente, desactive las cuchillas y proceda lentamente y con cuidado descendiendo de la pendiente en línea recta.
- Si la podadora se detiene mientras sube una pendiente, detenga las cuchillas, mire hacia atrás y retroceda lentamente.

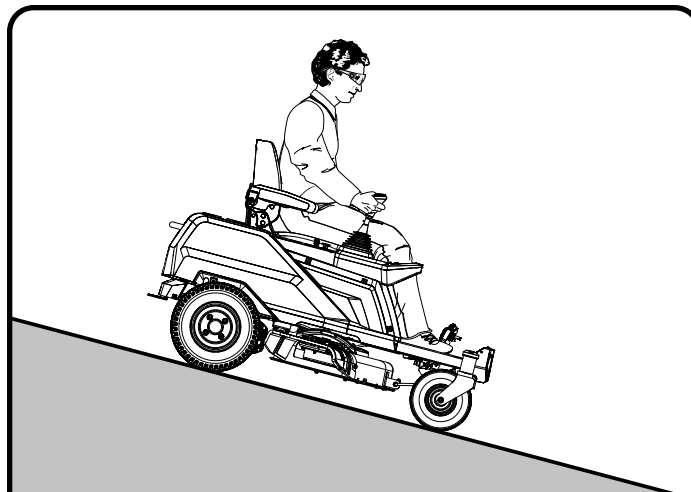


Fig. 17

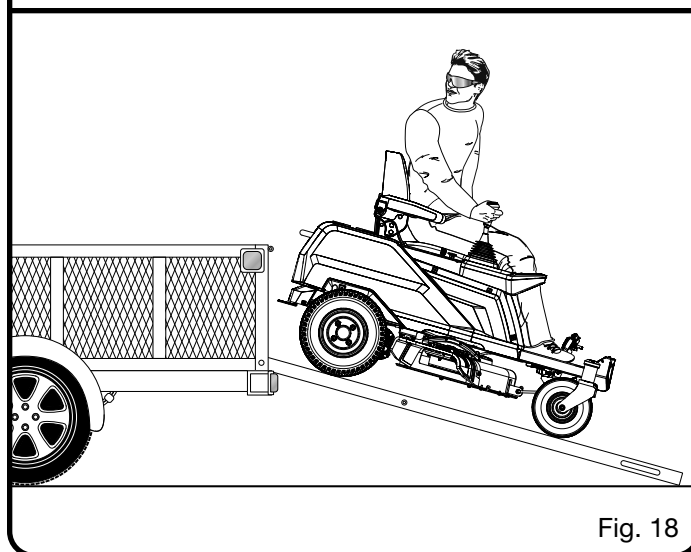


Fig. 18

TRANSPORTE DE LA PODADORA

Vea la figura 18.

⚠ ADVERTENCIA:

Tenga sumo cuidado cuando cargue o descargue la máquina en un remolque. Presione el botón de impulso de velocidad baja y mueva con cuidado las palancas de impulso según sea necesario para controlar la velocidad. Cuando cargue la podadora en un remolque, hágalo siempre en reversa. Cuando cargue o descargue la podadora, no exceda el ángulo máximo operativo recomendado de 15°. Si no sigue estas instrucciones, puede perder el control y causar la muerte, lesiones personales graves o daño a la propiedad.

FUNCIONAMIENTO

ADVERTENCIA:

Tenga cuidado al cargar o descargar la podadora en un remolque. Asegúrese de que la base de corte esté levantada en la posición más alta para que no quede atascada en la rampa. Las ruedas de la podadora pueden salirse de la rampa o del remolque, provocando que la podadora rebote o vuelque, y causar un peligro de choque que podría provocar la muerte o heridas físicas graves.

- Estacione la podadora en una superficie nivelada.
- Levante la base de corte hacia la posición más alta.
- Coloque y asegure la rampa en el remolque según las instrucciones del fabricante.

NOTA: Recomendamos utilizar una rampa de carga amplia con al menos 304,8 mm (1 pie) más ancho que

la podadora para minimizar el riesgo de que las ruedas de la podadora se salgan de los laterales de la rampa.

- Conduzca lentamente la podadora hacia atrás sobre la rampa hacia el remolque.
- Descienda la base de podadora por completo.
- Coloque el freno de estacionamiento.
- Apague la podadora y quite la llave.
- Asegure la podadora según sea necesario, utilizando correas o cables para prevenir el movimiento durante el transporte.

ADVERTENCIA:

Para evitar un arranque o movimiento accidental que pueda provocar lesiones personales graves, siempre extraiga la llave de arranque y coloque el freno de estacionamiento cuando transporte la podadora.

MANTENIMIENTO

⚠️ ADVERTENCIA:

Al dar servicio a la unidad, detenga la podadora en una superficie nivelada, espere a que se detengan por completo las cuchillas, coloque el freno de estacionamiento, y quite la llave de arranque para evitar el arranque accidental y posibles lesiones graves.

⚠️ ADVERTENCIA:

Siempre póngase protección ocular con protección lateral con la marca de cumplimiento de la norma ANSI Z87.1. Si no cumple esta advertencia, los objetos que salen despedidos pueden producirle lesiones serias en los ojos.

⚠️ ADVERTENCIA:

Al dar servicio a la unidad, sólo utilice piezas de repuesto autorizadas. El empleo de piezas diferentes puede causar un peligro o dañar el producto.

⚠️ ADVERTENCIA:

Cumpla estrictamente todas las especificaciones de ajuste con la llave dinamométrica. La inobservancia de esta advertencia podría causar lesiones personales graves.

AVISO:

Inspeccione periódicamente todo el producto para detectar partes dañadas, faltantes o sueltas, como tornillos, tuercas, pernos, tapas, etc. Apriete firmemente todos los sujetadores y las tapas y no accione este producto hasta que todas las partes faltantes o dañadas sean reemplazadas. Póngase en contacto con el servicio al cliente o con un centro de servicio autorizado para obtener ayuda.

MANTENIMIENTO GENERAL

Evite el empleo de solventes al limpiar piezas de plástico. La mayoría de los plásticos son susceptibles a diferentes tipos de solventes comerciales y pueden resultar dañados. Utilice paños limpios para eliminar la suciedad, el polvo, el aceite, la grasa, etc.

⚠️ ADVERTENCIA:

No permita en ningún momento que fluidos para frenos, gasolina, productos a base de petróleo, aceites penetrantes, etc., lleguen a tocar las piezas de plástico. Las sustancias químicas pueden dañar, debilitar o destruir el plástico, lo cual a su vez puede producir lesiones corporales serias.

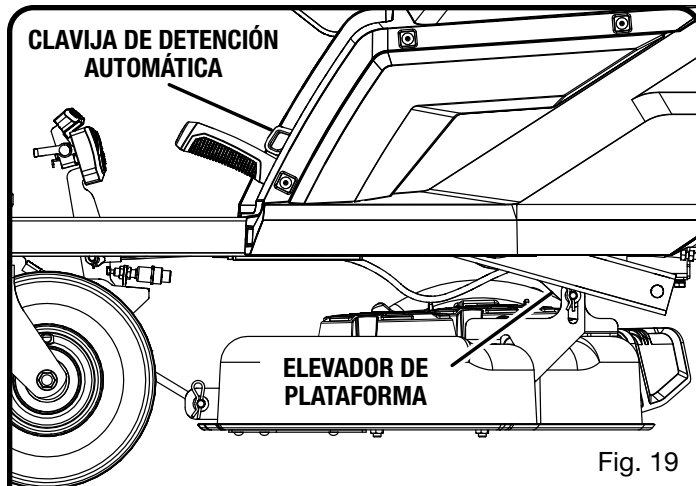


Fig. 19

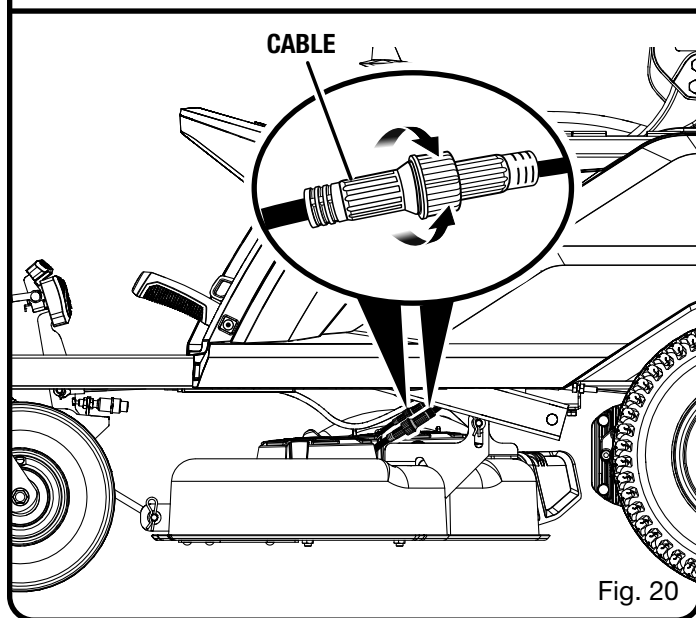


Fig. 20

Elimine la hierba y las cuchillas acumuladas sobre la cubierta del motor o a su alrededor. Limpie ocasionalmente la podadora con un paño seco. No utilice agua.

EXTRACCIÓN DE LA BASE DE CORTE

Vea las figuras 19 - 21.

Si lo desea, la base de corte se puede extraer de la podadora para hacer que el acceso a la cuchillas sea más fácil cuando se reemplacen.

⚠️ ADVERTENCIA:

Use guantes gruesos en todo momento mientras manipula la plataforma de corte. Mantenga las manos y los dedos alejados de los puntos de agarre.

- Mueva la podadora a una superficie nivelada. Asegúrese de que la palanca de mando esté en posición neutra bloqueada y que la perilla de enganche de la cuchilla esté hacia abajo.

MANTENIMIENTO

- Detenga el motor, extraiga la llave de arranque y coloque el freno de estacionamiento.
- Desconecte los cables que conectan la base de corte con la podadora.
- Descienda la base de corte hacia la posición más baja.
- Remueva los 3 pasadores de enganche y las arandelas para asegurar la base de corte en su lugar.
- Deslice la cubierta hacia afuera desde debajo de la podadora.
- Invierta el proceso para volver a colocar la base de corte en la podadora.

REEMPLAZO DE LAS CUCHILLAS

Vea las figuras 22 y 23.

⚠ ADVERTENCIA:

Utilice únicamente cuchillas y pernos de reemplazo autorizados por el fabricante de su podadora tipo tractor. Las cuchillas o los pernos de cuchilla no autorizados podrían romperse, lo que podría aflojar la cuchilla y causar lesiones personales graves y daños en la podadora.

NOTA: Asegúrese de volver a colocar todas las piezas en el orden exacto en que fueron retiradas.

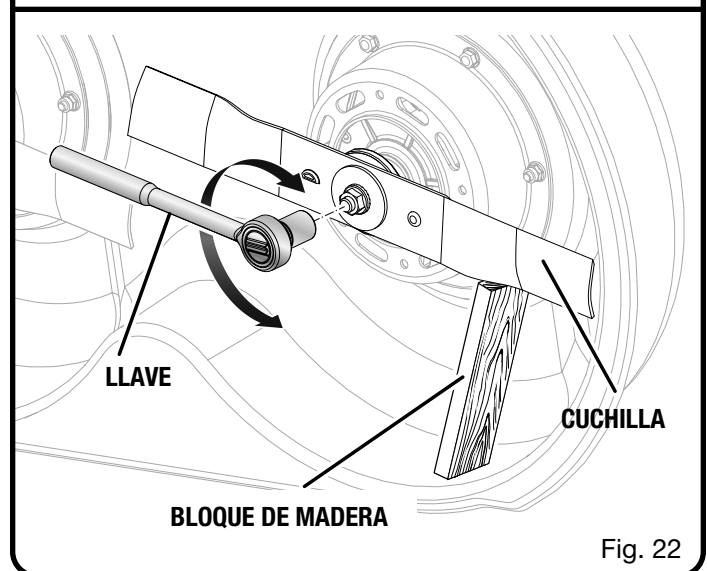
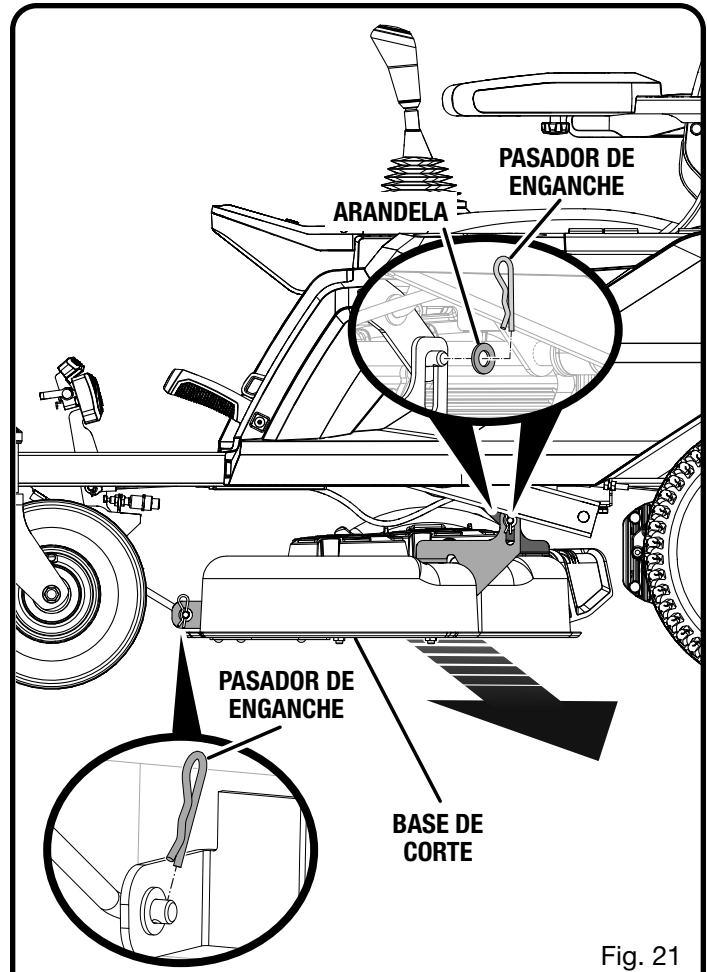
- Mueva la podadora a una superficie nivelada. Asegúrese de que las palancas de impulso estén en posición abierta y que la perilla de activación de las cuchillas se encuentre hacia abajo.
- Apague el motor, retire la llave del arranque et coloque el freno de estacionamiento.
- Levante la altura de la base de corte a su posición más alta para permitir el acceso a las cuchillas.

NOTA: Si es necesario, levante la podadora colocando un elevador o utilizando un gato hidráulico y un gato estabilizador pour de tener acceso a las cuchillas.

⚠ ADVERTENCIA:

Si levanta la podadora para acceder las cuchillas, asegúrese de que la podadora se encuentre asegurada correctamente y el freno de estacionamiento esté colocado antes de proceder. Si no asegura la podadora correctamente puede provocar una caída, lo que podría causar la muerte o posibles lesiones físicas graves.

- Introduzca a presión un bloque de madera entre la cuchilla y el piso de la podadora para evitar que la cuchilla gire.
- Afloje la tuerca de la cuchilla al girarlo a la izquierda (como se observa en la base de la podadora) usando una llave de tuercas o de boca tubular de 15 mm (no se suministra).
- Retire la tuerca de la cuchilla, la arandela de resorte y la cuchilla.
- Coloque la cuchilla nueva en el eje contra los montantes de cuchilla correspondientes. Asegúrese de que la cuchilla



MANTENIMIENTO

esté correctamente asentada con el eje pasando por el orificio central de la cuchilla y los dos postes insertados en los respectivos orificios sobre la cuchilla. Asegúrese de que esté instalada con los extremos curvos orientados hacia arriba, donde está el piso de la podadora, y no hacia abajo, donde está el suelo. Si está asentada correctamente, los lados rectos deben estar alineados y la cuchilla permanecerá plana contra los montantes de cuchilla.

- Vuelva a colocar the la arandela de resorte, luego enrosque la tuerca de la cuchilla en el eje y apriétela con los dedos.
- Apriete la tuerca de la cuchilla derecha usando una llave dinamométrica (no suministrada) para asegurar que el perno esté apretado correctamente. La fuerza de torsión recomendada para la tuerca de la cuchilla es de 600-650 lb-pulg.

⚠ ADVERTENCIA:

Asegúrese de que la cuchilla esté correctamente asentada y que la tuerca de la cuchilla esté ajustada según las especificaciones de par de torsión anteriores. Si no conecta la cuchilla correctamente, puede aflojarse y generar posibles lesiones personales graves.

- Repita el proceso con la segunda y tercer cuchillas, si es necesario.

MANTENIMIENTO DE LOS NEUMÁTICOS

Este podadora de pasto está equipado con neumáticos sin cámara del tamaño y del tipo que se indican a continuación:

	Delanteros	Traseros
Tamaño	11x4x5	16x6.5x8

Presión de aire de los neumáticos

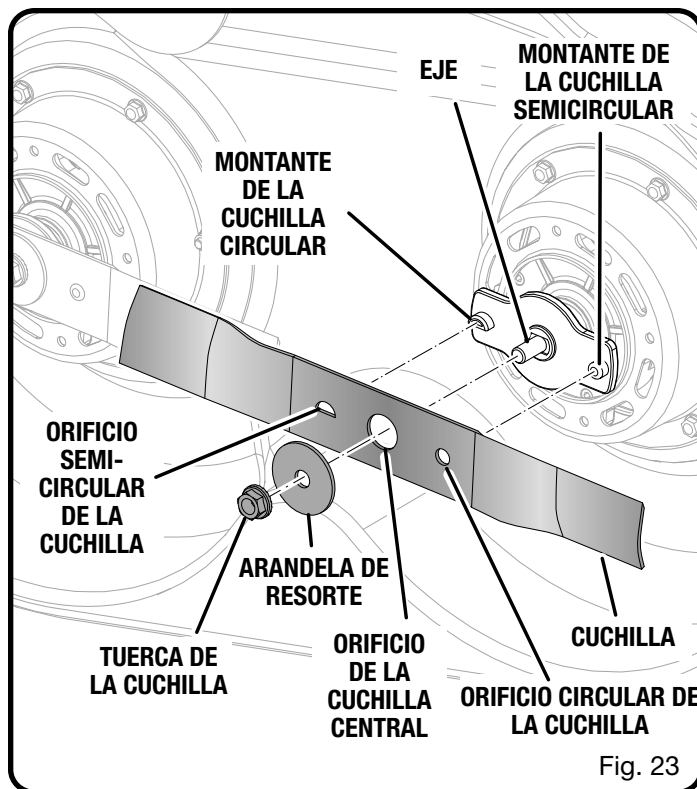
Antes de se uso, verifique la presión de aire de todos los neumáticos. Una presión de aire incorrecta afecta la maniobrabilidad, la respuesta de la dirección, la tracción, la vida útil del neumático, corte de nivel, y la comodidad del operador. Asegúrese de que todos los neumáticos estén inflados, según las presión que se indican a continuación.

NOTA: La presión de los neumáticos solo debe medirse o ajustarse cuando los neumáticos estén fríos.

Presión recomendada	Delanteros	Traseros
	19 psi (131 kpa)	18 psi (124,1 kpa)

⚠ ADVERTENCIA:

Verifique detenidamente la presión de los neumáticos mientras los infla. Demasiado aire en un neumático podría causar que este explote, lo que causaría lesiones personales graves.



⚠ ADVERTENCIA:

Mantener la presión de aire correcta en los neumáticos es muy importante. Demasiado poca presión podría hacer que el neumático gire y se salga de la llanta de la rueda. Demasiada presión podría causar que el neumático explote. No mantener la presión de aire correcta en los neumáticos podría causar problemas en la operación y en la estabilidad del podadora de pasto, lo que causaría la muerte o lesiones personales graves.

REPARACIÓN DE NEUMÁTICOS

En caso de que un neumático tenga una fuga o esté desinflado debido a un pinchazo, puede repararlo usando un parche tipo tapón. Si el daño se debe a un corte, o si el pinchazo no puede ser reparado con un tapón, se debe reemplazar el neumático.

CAMBIO DE NEUMÁTICOS

Cuando los neumáticos están desgastados, la tracción del podadora disminuye, lo que aumenta las posibilidades de tener un accidente. Los neumáticos deben cambiarse cuando el espesor de la banda de rodadura es de 4 mm (0,16 pulg.) o menos, o en cualquier momento que se dañe el neumático. Use siempre neumáticos de repuesto idénticos. Usar neumáticos incorrectos en la podadora podría causar una pérdida de control, lo que podría causar lesiones personales graves.

MANTENIMIENTO

Haga que un centro de servicio autorizado o una estación de reparación de neumáticos calificada reemplacen los neumáticos.

AJUSTE DE LOS FRENOS

Vea la figura 24.

PELIGRO:

Asegúrese de que los frenos funcionen correctamente en todo momento y antes de cada uso. El funcionamiento inapropiado de los frenos podría hacer que pierda el control en una situación de emergencia y causarle la muerte o lesiones personales graves.

Poder detener la podadora correctamente es crucial para la seguridad del podado. Si ha notado que su podadora prolonga el recorrido antes de detenerse cuando oprime el pedal de freno, los frenos pueden necesitar ajustarse.

Para probarlo:

- Estacione la podadora en una superficie nivelada y coloque el freno de estacionamiento.
- Coloque la palanca de mando en posición neutra.
- Párese detrás de la podadora e intente empujarla hacia adelante. Si los neumáticos traseros giran, los frenos necesitan ajustarse.

Para ajustarlos:

- Busque las tuercas de ajuste de los frenos junto al marco de la parte frontal de cada una de las ruedas traseras.
- Gire cada tuerca a 1/4 de vuelta en sentido horario; luego, intente empujar hacia adelante la podadora nuevamente.
- Continúe girando cada tuerca a 1/4 de vuelta y probando hasta que la podadora ya no se mueva cuando la empuje.

Después del ajuste final, pruebe los frenos conduciendo la podadora a velocidad normal en suelo llano para asegurarse de que la podadora se detiene rápidamente cuando se oprime el pedal de freno.

NIVELACIÓN DE LA BASE DE CORTE

Vea las figuras 25 y 26.

Si su pasto parece cortado de forma irregular después de usar la podadora, puede que la base de corte necesite ajustarse. Antes de decidir que es necesario realizar una nivelación de la base de corte, asegúrese de que los neumáticos estén inflados correctamente según la presión recomendada al podar. Los neumáticos con más o menos presión de la recomendada puede afectar el corte, y la presión correcta de los neumáticos puede ser lo único necesario para resolver problemas de corte no uniforme.

NOTA: Controle siempre la alineación de lado a lado y ajuste, desde el frente hacia atrás, según sea necesario antes de medir.

Antes de comenzar:

- Asegúrese de que la palanca de mando estén en posición neutra y que la perilla de activación de las cuchillas se encuentre hacia abajo.
- Detenga el motor, deje que las hojas se detengan por completo, extraiga la llave de arranque y coloque el freno de estacionamiento.
- Baje la altura de la base de corte hacia la posición más baja.
- Compruebe que los neumáticos estén inflados según el PSI recomendado. Consulte la sección **Mantenimiento de neumáticos**.

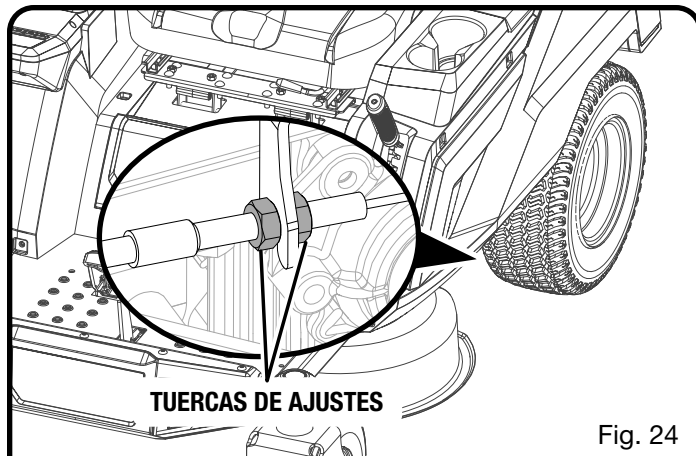


Fig. 24

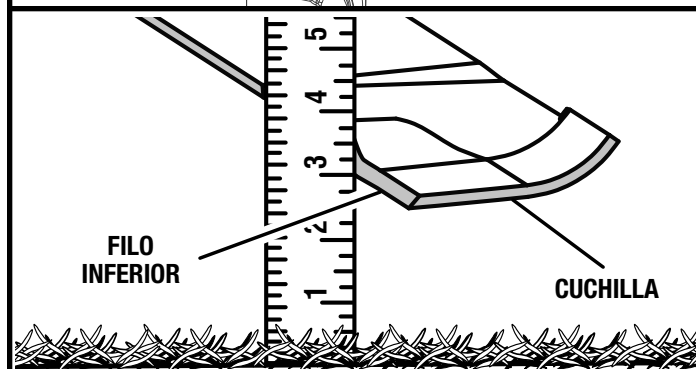


Fig. 25

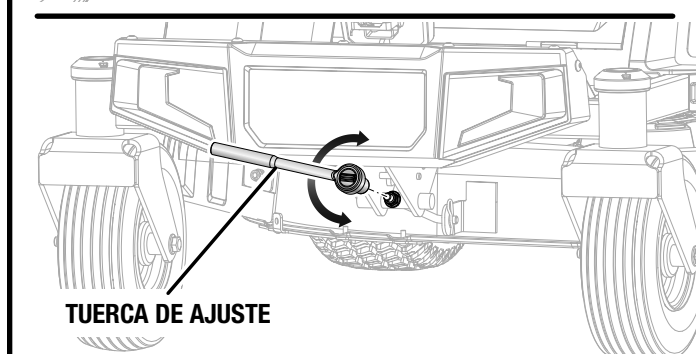
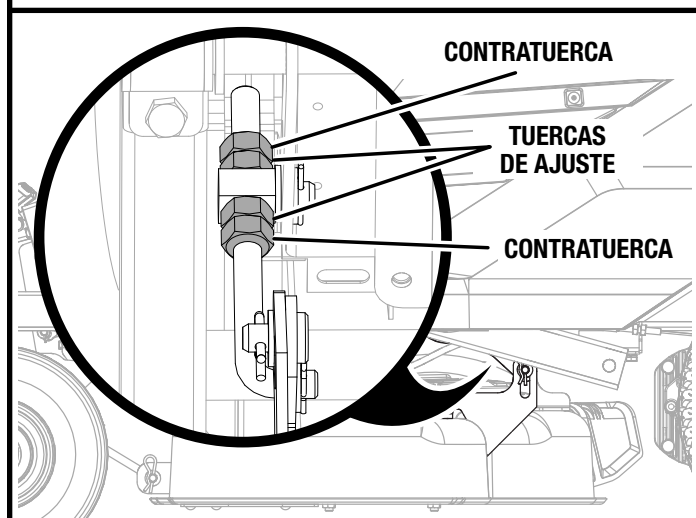


Fig. 26

MANTENIMIENTO

Para realizar el ajuste de lado a lado:

- Posicione las cuchillas de manera tal que los extremos apunten hacia los laterales de la podadora.
- En el filo externo de cada cuchilla, mida la distancia desde el filo inferior de cada lado de la cuchilla hacia el suelo. Si la distancia entre dos lados es mayor a 3,2 mm (1/8 pulg.), es necesario realizar un ajuste de lado a lado.
- Ajuste las contratueras tal como se muestra, en el lado que desea ajustar.
- Gire las tuercas de ajuste en sentido horario para levantar o en sentido antihorario para descender el lateral de la base de corte. Cada giro completo de la tuerca de ajuste cambiará la altura de la base a aproximadamente 3,2 mm (1/8 pulg.).

NOTA: Si levanta el lateral, primero será necesario girar la tuerca de ajuste superior. Si lo baja, gire primero la tuerca inferior.

- Vuelva a medir. Continúe ajustando y midiendo hasta que la diferencia entre la distancia de cada lado sea de 3,2 mm (1/8 pulg.) o menos.
- Proceda ajustando desde el frente hacia atrás o vuelta a ajustar las contratueras para asegurar.

Para realizar el ajuste desde el frente hacia atrás:

NOTA: Nivele siempre la base de lado a lado antes de realizar un ajuste desde el frente hacia atrás.

- Posicione la cuchilla más cercana al vertedor de descarga para que los extremos apunten hacia el frente y hacia atrás de la podadora.
- Mida la distancia entre la punta de la cuchilla hacia el suelo. Para obtener mejores resultados, la puntal frontal de la cuchilla debe estar entre 6,4 mm (1/4 pulg.) a 12,7 mm (1/2 pulg.) más baja que la punta delantera.
- Si es necesario realizar un ajuste desde el frente hacia atrás, gire las tuercas de ajuste en sentido horario para levantar o en sentido antihorario descender la parte trasera de la base de corte. Cada giro completo de la tuerca de ajuste cambiará la altura de la base a aproximadamente 3,2 mm (1/8 pulg.).
- **NOTA:** Asegúrese de girar las tuercas de ajuste en ambos lados de la misma manera para prevenir que la medición sea irregular nuevamente.
- Mida nuevamente para verificar que la punta frontal ahora sea entre 6,4 mm (1/4 pulg.) a 12,7 mm (1/2 pulg.) más baja que la punta trasera. De no ser así, continúe ajustando y mida hasta que las medidas sean las correctas.

NOTA: La nivelación de la plataforma viene de fábrica y no se requiere como elemento de mantenimiento regular.

REEMPLAZO DE LAS BATERÍAS

Vea las figuras 27 a 30.

NOTA: Utilice únicamente baterías de litio de 80 voltios y 40 voltios para podadoras de césped eléctricas con butaca RYOBI.

Esta podadora puede funcionar con hasta dos baterías de 80 voltios. Hay dos puertos de batería adicionales de 40 voltios que pueden ayudar a prolongar el funcionamiento de la podadora de giro cero. Las baterías de 80 voltios se utilizan primero y el sistema equilibra automáticamente la carga entre ellas durante la descarga. Cualquier batería de 40 V insertada extenderá el tiempo de ejecución agregando carga adicional a medida que las baterías de 80 voltios comiencen a alcanzar un estado de carga más bajo.

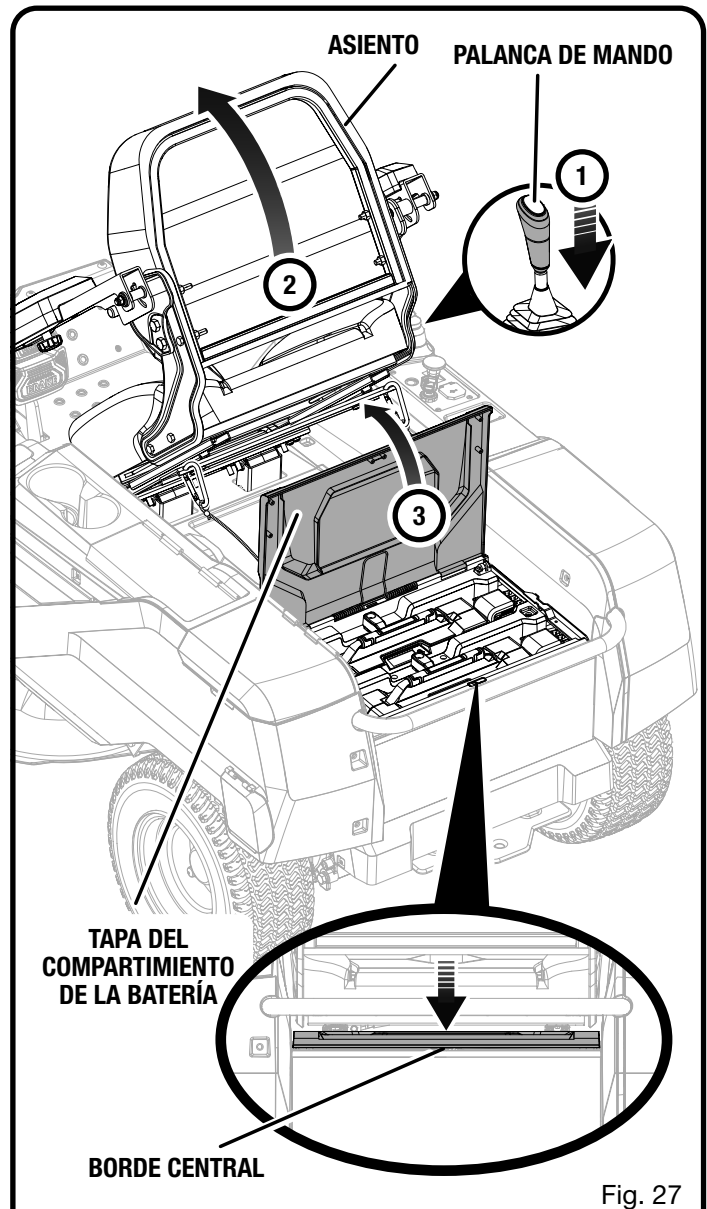


Fig. 27

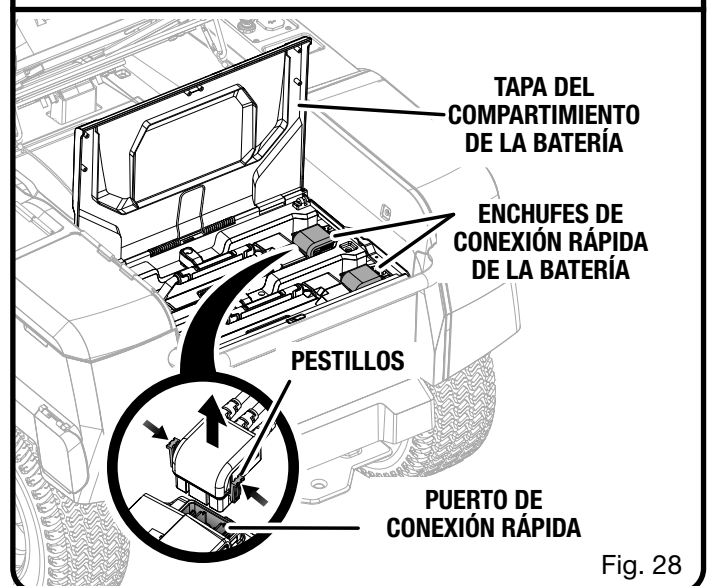


Fig. 28

MANTENIMIENTO

NOTA: Las baterías de litio usadas siempre deben reciclarse. Respete siempre las advertencias de seguridad proporcionadas con las baterías. Deseche las baterías viejas de acuerdo con las normas locales y estatales.

- Estacione la podadora en una superficie nivelada y ponga el freno de mano. Coloque la palanca de mando en la posición neutra bloqueada, detenga el motor y retire la llave de arranque.
- Ajuste el asiento completamente hacia adelante.
- Presione el borde central de la tapa del compartimiento de la batería para liberar el pestillo. La cubierta se levantará para darle acceso al compartimiento de abajo.

Al retirar/reemplazar una batería de 80 voltios:

- Desconecte el enchufe de conexión rápida de la batería apretando las lengüetas, soltándolo de la batería y moviéndolo a un lado. Este enchufe conecta/desconecta las baterías de la podadora.
- Suelte el pestillo de la batería que la asegura girándolo hacia la izquierda.
- Levante la batería del puerto de la batería.
- Reemplace la o las baterías según sea necesario insertándolas en el puerto de la batería.
- Asegure la batería girando el pestillo de la batería hacia la derecha.
- Vuelva a instalar el enchufe de conexión rápida de la batería.
- Repita los pasos para baterías adicionales si es necesario.
- Baje la tapa del compartimiento de la batería y presione en el borde central para engancharla.
- **NOTA:** Asegúrese de que la tapa del compartimiento de la batería esté bien cerrada antes de reajustar el asiento. Verifique que el cable del sistema de seguridad aún esté conectado.
- Reajuste el asiento en una posición cómoda antes de conducir la podadora.

Al retirar/reemplazar una batería de 40 voltios:

Hay cuatro puertos de batería adicionales de 40 voltios que pueden ayudar a prolongar el funcionamiento de la podadora de césped de giro cero. Sin embargo, estas baterías adicionales no son necesarias para operar la unidad.

NOTA: La podadora de giro cero no funcionará solo con baterías de 40 voltios. La unidad debe tener al menos una batería de 80 voltios en funcionamiento para hacer funcionar los motores impulsores y de las cuchillas.

- Abra las cubiertas de la batería ubicadas a cada lado de la podadora de césped.
- Mientras presiona el pestillo de la batería, sujete la manija y levante la batería del puerto.
- Alinee las costillas realzadas del paquetes de baterías con las ranuras del puerto de la batería e instale el paquetes de baterías en la podadora.
- Asegúrese de que el pestillo esté bien trabado en su lugar.

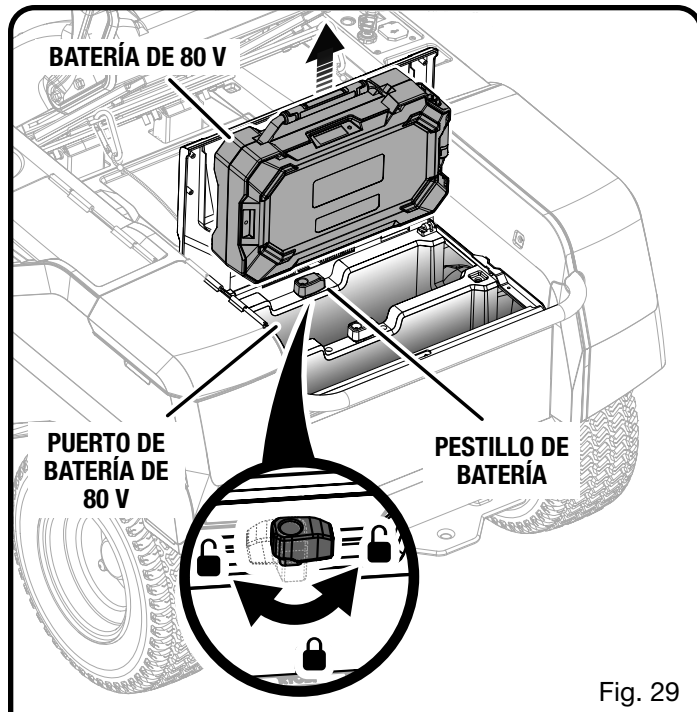


Fig. 29

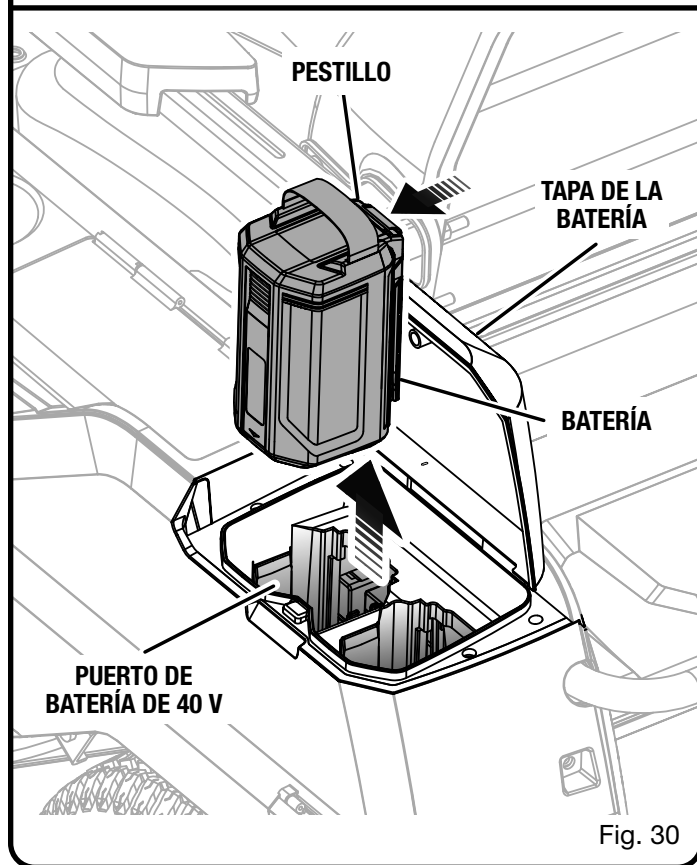


Fig. 30

- Baje la tapa de la batería y asegúrese de que esté bien cerrada.
- Repita los pasos para baterías adicionales si es necesario.

MANTENIMIENTO

ADVERTENCIA:

Asegúrese de que el pestillo en la parte inferior del paquetes de baterías entre adecuadamente en su lugar y que el paquetes de baterías esté bien colocado y asegurado en el puerto de batería de la podadora antes de que encenderla. Una falla en colocar el paquetes de baterías de forma segura puede causar que el paquetes de baterías se desprenda y termine provocando lesiones corporales serias.

Para ver las instrucciones de carga completas, consulte los manuales del operador del paquetes de baterías y los modelos de cargador.

ALMACENAMIENTO DE LA PODADORA

Deben tenerse en cuenta los siguientes pasos antes de guardar la podadora durante la temporada.

- Remueva la formación de pasto y hojas de la cubierta del motor. Limpie la podadora con un trapo seco. No la rocíe con una manguera de jardín, el agua o líquidos para limpiarla.
- Enchufe la podadora para cargarla durante el tiempo completo de almacenamiento.
- **NOTA:** Si no es posible dejar el cargador de la podadora conectado durante el almacenamiento, cargue las baterías por completo al menos una vez por mes.
- Guarde la podadora en un lugar limpio y seco que sea inaccesible para los niños. No guarde la podadora

cerca de artefactos que funcionen con llamas como calentadores de agua a gas, secadoras de ropa u hornos.

- **NOTA:** Ponga el freno de mano y no deje la llave en la podadora durante el almacenamiento. Coloque la llave en una ubicación inaccesible para los niños.
- Si la podadora se guarda en exteriores, asegúrese de que se encuentre cubierta por completo para protegerla de los elementos.
- Evite que la unidad entre en contacto con agentes corrosivos como las sustancias químicas para el jardín y las sales para derretir el hielo.

PREPARACIÓN PARA EL USO DESPUÉS DEL ALMACENAMIENTO

Se deben tener en cuenta los siguientes pasos antes de usar la podadora después de su almacenamiento:

- Revise la tabla de mantenimiento.
- Cargue completamente las baterías.
- Controle la presión de los neumáticos e ínfeles según sea necesario.
- Conduzca brevemente la podadora y controle que todos los sistemas y los componentes estén funcionando correctamente.
- Inspeccione periódicamente si el aislamiento de los cables está desgastado o deteriorado.

PROGRAMA DE MANTENIMIENTO

	Inspeccionar cada vez antes usar la herramienta	Cada 25 horas	Cada 50 horas o anualmente	Cada 100 horas	Antes de guardarlo
Controle el funcionamiento de los frenos	X				
Controle la presión de los neumáticos	X				
Controle el sistema de seguridad	X				
Controle que no haya tornillos flojos	X				X
Limpie la suciedad de la podadora	X		X		X
Controle/Reemplace las cuchillas de la podadora		X	X		
Limpie las terminales de la batería			X		

NOTA: Se deben realizar tareas de mantenimiento de manera más frecuente cuando se utilice la podadora en áreas con polvo.

Cuando la podadora haya excedido las cifras máximas especificadas en la tabla, se deben realizar los ciclos de mantenimiento según los intervalos de tiempo u horas establecidos aquí.

Si no está seguro acerca de cómo realizar las tareas de mantenimiento enumeradas anteriormente, lleve la podadora a un centro de servicio autorizado para obtener asistencia.

ACCESORIOS

Para pedir estos accesorios, escanee el código QR, visite nuestra página web en www.ryobitools.com o llame al 1-800-525-2579.



Cuchillas de repuesto de corte transversal RYOBI de 76,2 cm	ACRM032
Kit de embolsadora con elevador RYOBI de 76,2 cm	ACRM018
Kit de embolsadora RYOBI de 76,2 cm	ACRM022
Cuchillas para embolsado de repuesto de 76,2 cm RYOBI	ACRM010
Cuchillas para mantillo de repuesto de 76,2 cm RYOBI	ACRM009

⚠ WARNING:

Current attachments and accessories available for use with this product are listed above. Do not use any attachments or accessories not recommended by the manufacturer of this product. The use of attachments or accessories not recommended can result in serious personal injury.



APROVECHE AL MÁXIMO SU COMPRA!

Diríjase a <http://register.ryobitools.com> y registre en línea su nueva herramienta.

Este producto ha sido probado enteramente antes de embarcarse para asegurar la completa satisfacción del consumidor.

¡Si tiene preguntas sobre el funcionamiento o el mantenimiento del producto, llame al teléfono de atención al consumidor de RYOBI!

Excluidas la batería, este producto tiene una garantía limitada de cinco años para fines personales, familiares o domésticos (250 horas de uso para equipos cortacésped con butaca de 80 V con tamaños de plataforma inferiores a 106,68 cm y RYRM8002; 500 horas de uso para equipos cortacésped con butaca de 80 V con tamaños de plataforma mayores o iguales a 106,68 cm, excluyendo RYRM8002, si se usa para cualquier otro fin, como comercial, alquiler o cualquier otro producto que genere ingresos objetivo).

La batería y cargador tener una garantía limitada de cinco años para uso personal, familiar o doméstico (dos años si se usa para cualquier otro fin, como comercial, alquiler o cualquier otro producto que genere ingresos objetivo).

Para obtener detalles sobre la garantía, diríjase a www.ryobitools.com o llame sin cargo al 1-800-525-2579.

CORRECCIÓN DE PROBLEMAS

SI CON ESTAS SOLUCIONES NO SE RESUELVE EL PROBLEMA, COMUNÍQUESE CON EL CONCESIONARIO DE SERVICIO AUTORIZADO DE SU PREFERENCIA.

PROBLEMA	CAUSA POSIBLE	SOLUCIÓN
La podadora no enciende.	<p>La carga de la batería está baja.</p> <p>El cargador está conectado a la podadora.</p> <p>La llave de arranque no está instalada o está en la posición de APAGADO.</p> <p>Conexiones de cables de batería deficientes.</p>	<p>Cargue la batería.</p> <p>Desconecte el cargador de la podadora.</p> <p>Inserte la llave de arranque y gírela hacia la posición de ENCENDIDO.</p> <p>Controle/limpie todas las conexiones de la batería.</p>
La podadora no se mueve.	<p>La llave de arranque no está instalada o está en la posición de APAGADO.</p> <p>■ La palanca de mando están en posición neutra o abierta.</p> <p>El freno está oprimido y/o está colocado el freno de estacionamiento.</p> <p>El cargador está conectado a la podadora.</p> <p>El operario no está sentado por completo.</p>	<p>Inserte la llave de arranque y gírela hacia la posición de ENCENDIDO.</p> <p>Mueva la palanca de mando en la dirección deseada (hacia adelante o en reversa).</p> <p>Suelte el pedal del freno y/o el freno de mano.</p> <p>Desconecte el cargador de la podadora.</p> <p>Siéntese completamente en el asiento, vuelva a colocar la palanca de mando en la posición neutra y, luego, intente nuevamente</p>
La podadora corta la hierba en forma despareja.	<p>Presión de neumáticos uniforme.</p> <p>La base de la podadora no está nivelada.</p> <p>Cuchilla desgastada, torcida, floja o desafilada.</p> <p>Formación de suciedad debajo de la base inferior de la podadora.</p> <p>La velocidad de la podadora es demasiado rápida.</p>	<p>Controle la presión de los cuatro neumáticos.</p> <p>Realice un ajuste de nivel de la base de corte.</p> <p>Reemplace la cuchilla.</p> <p>Limpie la superficie inferior del alojamiento de la base inferior de la podadora.</p> <p>Pode a una velocidad más lenta.</p>
La podadora no tritura el pasto correctamente.	<p>Hay recortes de hierba mojada pegados en la parte inferior del piso.</p> <p>El pasto está demasiado alto.</p> <p>Cuchilla desgastada, torcida, floja o desafilada.</p> <p>La velocidad de la podadora es demasiado rápida.</p>	<p>Espere hasta que la hierba se seque antes de podar.</p> <p>Pode una vez a una altura mayor; luego, pode otra vez a la altura deseada.</p> <p>Reemplace la cuchilla.</p> <p>Pode a una velocidad más lenta.</p>
La podadora vibra a mayor velocidad.	<p>La cuchilla está desequilibrada, suelto, o gastada excesivamente o en forma irregular.</p> <p>El eje del motor está doblado.</p>	<p>Reemplace la cuchilla.</p> <p>Apague el motor y desconecte la llave del arranque. Inspeccione la unidad para ver si están dañadas. Lleve la unidad a un centro de servicio autorizado para que la reparen antes de volver a encenderla.</p>

CORRECCIÓN DE PROBLEMAS

PROBLEMA	CAUSA POSIBLE	SOLUCIÓN
Descarga de pasto defectuosa.	<p>El vertedor de descarga lateral o la abertura está enchufada.</p> <p>El pasto está húmedo.</p> <p>La velocidad de la podadora es demasiado rápida.</p> <p>El pasto está demasiado alto.</p>	<p>Limpie el vertedor de descarga lateral o la apertura.</p> <p>Permita que se seque el pasto antes de podar.</p> <p>Pode a una velocidad más lenta.</p> <p>Pode una vez a una altura mayor; luego, pode otra vez a la altura deseada.</p>
Motor se detiene mientras corta el pasto.	<p>La altura de corte es muy baja.</p> <p>La carga de la batería está baja.</p> <p>El operario no está sentado por completo.</p>	<p>Levante la altura de corte.</p> <p>Cargue la batería.</p> <p>Siéntese completamente en el asiento, lleve nuevamente la palanca de mando a la posición neutra y empuje la perilla de activación de las cuchillas hacia abajo. Luego, vuelva a intentarlo.</p>
Las cuchillas no giran.	<p>La carga de la batería está baja.</p> <p>La perilla de activación de las cuchillas está baja.</p> <p>El operario no está sentado por completo.</p> <p>Formación de suciedad debajo de la base inferior de la podadora.</p>	<p>Cargue la batería.</p> <p>Levante la perilla de activación de las cuchillas.</p> <p>Siéntese completamente en el asiento, lleve nuevamente la palanca de mando a la posición neutra y empuje la perilla de activación de las cuchillas hacia abajo. Luego, vuelva a intentarlo.</p> <p>Limpie la superficie inferior del alojamiento de la base inferior de la podadora.</p>
Las cuchillas no giran mientras está podando en reversa.	<p>La perilla de activación de las cuchillas está baja.</p>	<p>Levante la perilla de activación de las cuchillas.</p>
La podadora no alcanza la velocidad completa.	<p>La carga de la batería está baja.</p> <p>La función de impulso de velocidad baja está activada.</p>	<p>Cargue la batería.</p> <p>Desactive el impulso a velocidad baja.</p>
Las cuchillas continúan girando después de que el operario deja el asiento sin colocar el freno de estacionamiento.	<p>El sistema de seguridad no está funcionando correctamente.</p>	<p>Asegúrese de que la clavija del asiento del sistema de seguridad esté conectada por completo. Si las cuchillas no se detienen, lleve la podadora a un centro de servicio autorizado para que sea reparada.</p>
Los faros no funcionan.	<p>Los faros están apagados.</p> <p>Los faros están dañados.</p>	<p>Presión el botón de faros para encenderlos.</p> <p>Haga reemplazar las luces delanteras en un centro de servicio autorizado.</p>
La batería no carga.	<p>Celdas de la batería defectuosas.</p> <p>Conexiones de cables deficientes.</p>	<p>Reemplace la batería.</p> <p>Controle/limpie todas las conexiones de la batería.</p>

Si el problema persiste después de probar las soluciones mencionadas arriba, contacto con el servicio al cliente o con un centro de servicio calificado para solicitar asistencia.

SLOPE GUIDE

WARNING:

Slopes are a major factor related to tip-over and roll-over accidents that can result in severe injury or death. Operation on all slopes requires extra caution. If you cannot back up the slope or if you feel uneasy on a slope, do not mow it. For your safety, do not attempt to operate mower on slopes greater than 5 degrees while towing, 10 degrees using a bagger, and 15 degrees without attachments. Do not operate in reverse down a slope, unless the mower stops while going uphill. In that situation, stop the blades, look behind you, and back up slowly. Make a copy or cut out the slope guide image on the back of this page and use to determine if your slope is too steep for safe operation.

- Fold page on dotted line.
 - Locate a vertical object on or behind your slope (i.e., pole, building, fence, tree, etc.).
 - Align either edge of slope guide with vertical object.
 - Adjust gauge until bottom left corner touches the slope.
 - Do not attempt to mow slopes greater than 10° with a bagger, or 15° without attachments.
-

GUIDE DE PENTE

AVERTISSEMENT :

Les pentes représentent un facteur majeur des accidents causés par la perte de contrôle ou le renversement et sont cause de blessures graves ou mortelles. Toute opération sur des pentes exige une extrême prudence. S'il est impossible d'aborder une pente ou si vous ne vous y sentez pas à l'aise, ne la tondez pas. À des fins de sécurité, n'essayez pas d'utiliser la tondeuse sur des pentes supérieures à 5 degrés pendant le remorquage, à 10 degrés à l'aide d'un ensacheur ou à 15 degrés sans accessoires. Ne pas utiliser en marche arrière dans une pente, à moins que la tondeuse s'arrête en montant. Dans cette situation, arrêter les lames, regarder derrière et reculer lentement. Copier ou découper l'illustration du guide de pente au verso de la page et l'utiliser pour déterminer si la pente est trop raide pour être tondu en toute sécurité.

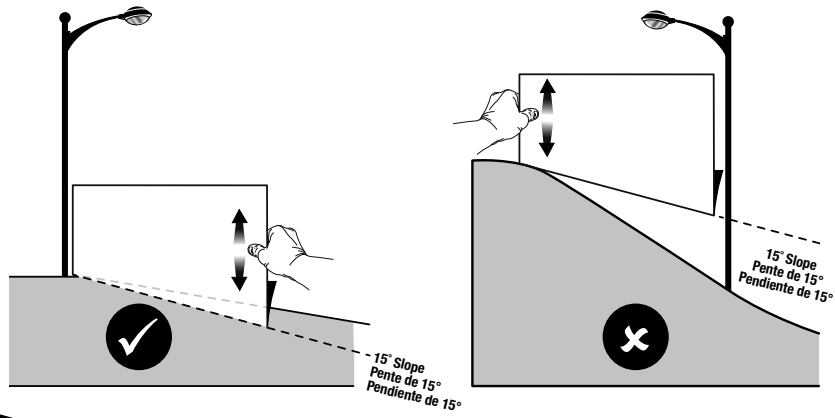
- Plier la page à la ligne pointillée.
 - Repérer un objet vertical sur ou derrière la pente à tondre (ex. : poteau, édifice, clôture, arbre, etc.).
 - Aligner l'un des côtés du guide de pente avec l'objet vertical.
 - Aligner le gabarit jusqu'à ce que le bas du coin gauche touche la pente.
 - Ne pas tenter de tondre des pentes ayant une inclinaison supérieure à 10 degrés à l'aide d'un ensacheur ou à 15 degrés sans accessoires.
-

GUÍA DE PENDIENTES

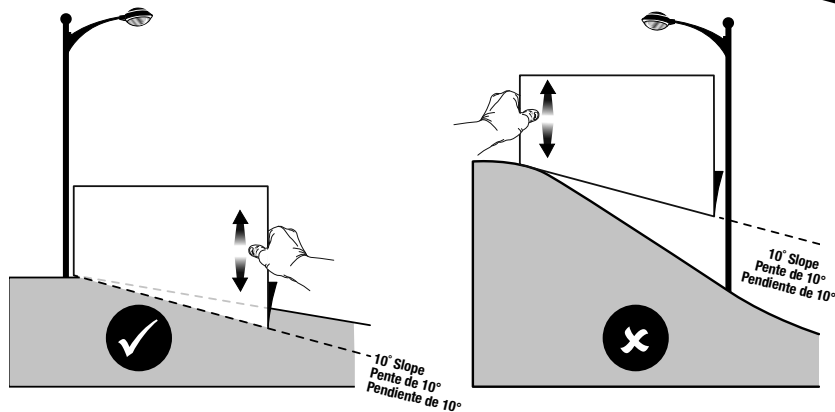
ADVERTENCIA:

Las pendientes son un factor importante relacionado con vuelcos y accidentes de vuelcos, lo que puede provocar heridas graves o la muerte. El funcionamiento en pendientes requiere precaución adicional. Si no puede cubrir la pendiente o si se siente incómodo, no la pade. Para su seguridad, no intente operar la cortadora de césped en pendientes de más de 5 grados mientras remolca, 10 grados con una ensacadora o de 15 grados sin accesorios. No retroceda en pendientes hacia abajo, a menos que la podadora se detenga cuando suba una. En esa situación, detenga las cuchillas, mire hacia atrás y retroceda lentamente. Haga una copia o recorte la imagen guía de la pendiente, ubicada en la parte trasera de esta página, y utilícela para determinar si su pendiente es demasiada pronunciada para el funcionamiento seguro.

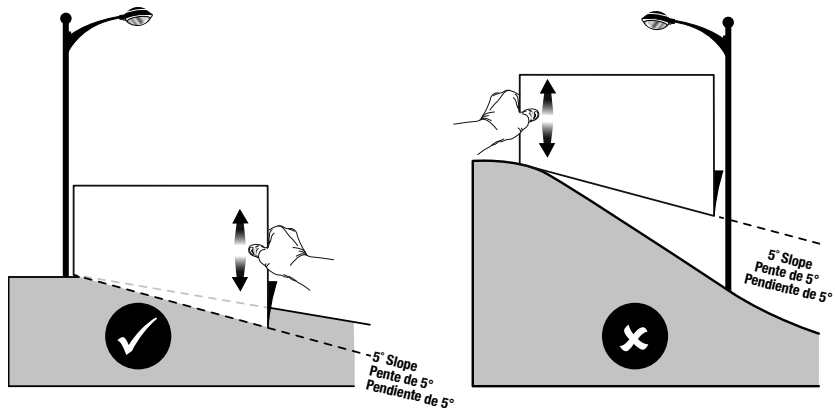
- Pliegue la página por la línea de puntos.
- Coloque un objeto vertical o detrás de su pendiente (es decir, un poste, una construcción, un cerco, un árbol, etc.).
- Alinee cualquier punta de la pendiente guía con el objeto vertical.
- Ajuste el calibre hasta que la esquina inferior izquierda toque la pendiente.
- No intente podar pendientes de más de 10 grados con una ensacadora o de 15 grados sin accesorios.



15° Line
Ligne de 15° / Línea de 15°



10° Line
Ligne de 10° / Línea de 10°



5° Line
Ligne de 5° / Línea de 5°



OPERATOR'S MANUAL

MANUEL D'UTILISATION / MANUAL DEL OPERADOR ELECTRIC ZERO TURN MOWER

TONDEUSE ÉLECTRIQUE À BRAQUAGE ZÉRO
PODADORA ELÉCTRICA DE GIRO CERO

RYRM8001/RYRM8001CAN

• **PARTS AND SERVICE:** Prior to requesting service or purchasing replacement parts, please obtain your item, manufacturing, and serial numbers from the product data plate.

ITEM NO.* _____ **MANUFACTURING NO.** _____
SERIAL NO. _____

* Model/item number on product may have additional letters at the end. These letters designate manufacturing information and should be provided when calling for service.

HOW TO OBTAIN REPLACEMENT PARTS: Replacement parts can be purchased online at www.ryobitools.com or by calling 1-800-525-2579. Replacement parts can also be obtained at one of our service centers.

HOW TO LOCATE A SERVICE CENTER: Service centers can be located online at www.ryobitools.com or by calling 1-800-525-2579.

HOW TO OBTAIN CUSTOMER OR TECHNICAL SUPPORT: To obtain customer or technical support please contact us at 1-800-525-2579.

RYOBI is a registered trademark of Ryobi Limited and is used pursuant to a license granted by Ryobi Limited.

• **PIÈCES ET SERVICE :** Avant de faire la demande de service ou l'achat de pièces de remplacement, veuillez obtenir le numéro d'article, le numéro de fabrication et le numéro de série à partir de la plaque de données du produit.

NUMÉRO D'ARTICLE* _____ **NUMÉRO DE FABRICATION** _____
NUMÉRO DE SÉRIE _____

* Le numéro de modèle/article sur le produit peut contenir des lettres supplémentaires à la fin. Ces lettres désignent les informations du fabricant et doivent être fournies lors d'un appel de demande de service.

COMMENT OBTENIR LES PIÈCES DE REMPLACEMENT : Les pièces de remplacement peuvent être achetées en ligne sur le site www.ryobitools.com ou par téléphone au 1-800-525-2579. Les pièces de remplacement peuvent être obtenues à un de nos centres de service.

COMMENT TROUVER UN CENTRE DE SERVICE : Les centres de service peuvent être localisés en ligne au www.ryobitools.com ou en téléphonant au 1-800-525-2579.

COMMENT OBTENIR DE L'AIDE EN CONTACTANT LE SERVICE À LA CLIENTÈLE : Pour contacter le service à la clientèle pour une question technique ou pour tout autre renseignement, veuillez nous téléphoner au 1-800-525-2579.

RYOBI est une marque déposée de Ryobi Limited et est utilisée en vertu d'une licence accordée par Ryobi Limited.

• **PIEZAS DE REPUESTO Y SERVICIO:** Antes de solicitar servicio técnico o comprar piezas de repuesto, obtenga su número de artículo, el número de fabricación y el número de serie de la placa de datos del producto.

NÚMERO DE ARTÍCULO* _____ **NÚMERO DE FABRICACIÓN** _____
NÚMERO DE SERIE _____

* El número de modelo/artículo que figura en el producto podría tener letras adicionales al final. Estas designan información de fabricación y deben suministrarse cuando llame para obtener asistencia o servicio.

CÓMO OBTENER PIEZAS DE REPUESTO: Las piezas de repuesto se pueden comprar en nuestro sitio en la red mundial, en la dirección www.ryobitools.com o llamando al 1-800-525-2579. Las piezas de repuesto también se pueden obtener en uno de nuestros centros de servicio.

CÓMO LOCALIZAR UN CENTRO DE SERVICIO: Puede encontrar los centros de servicio visitando nuestro sitio en la red mundial, en la dirección www.ryobitools.com or by calling 1-800-525-2579.

CÓMO OBTENER SERVICIO O ASISTENCIA TÉCNICA AL CONSUMIDOR: Para obtener servicio o asistencia técnica al consumidor, sírvase comunicarse con nosotros llamando al 1-800-525-2579.

RYOBI es una marca registrada de Ryobi Limited y se utiliza conforme a una licencia otorgada por Ryobi Limited.

TTI OUTDOOR POWER EQUIPMENT, INC

P.O. Box 1288, Anderson, SC 29622, USA
1-800-525-2579 • www.ryobitools.com

998000964
6-21-23 (REV:03)