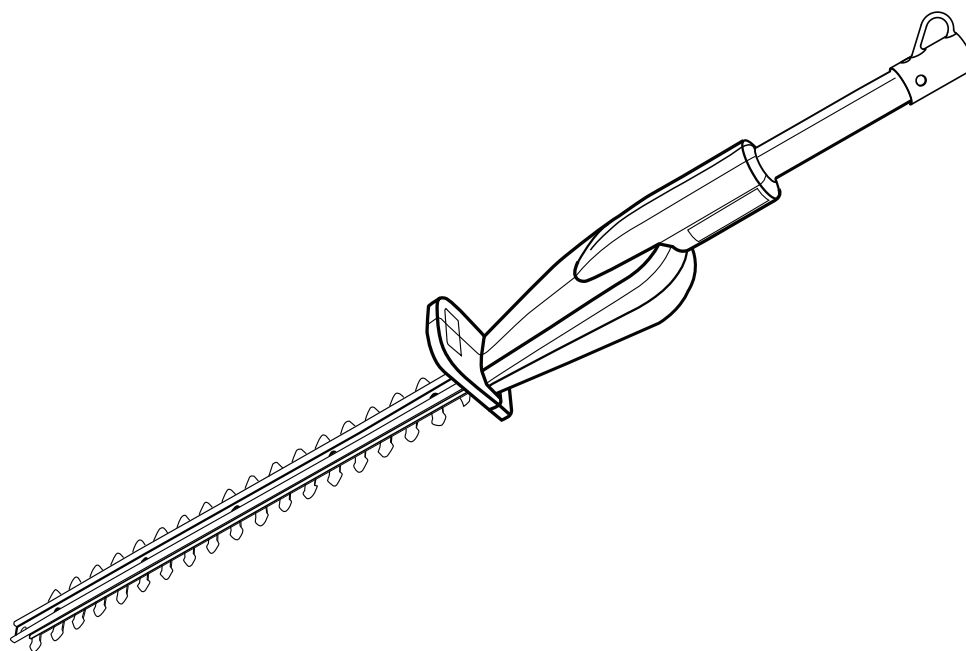


REPAIR SHEET

BRAND RYOBI		DESCRIPTION EXPAND-IT Hedge Trimmer Attachment
MODEL NO. RYHDG88 RYHDG88VNM	MFG. NO. 090113012 095113101/095113103	

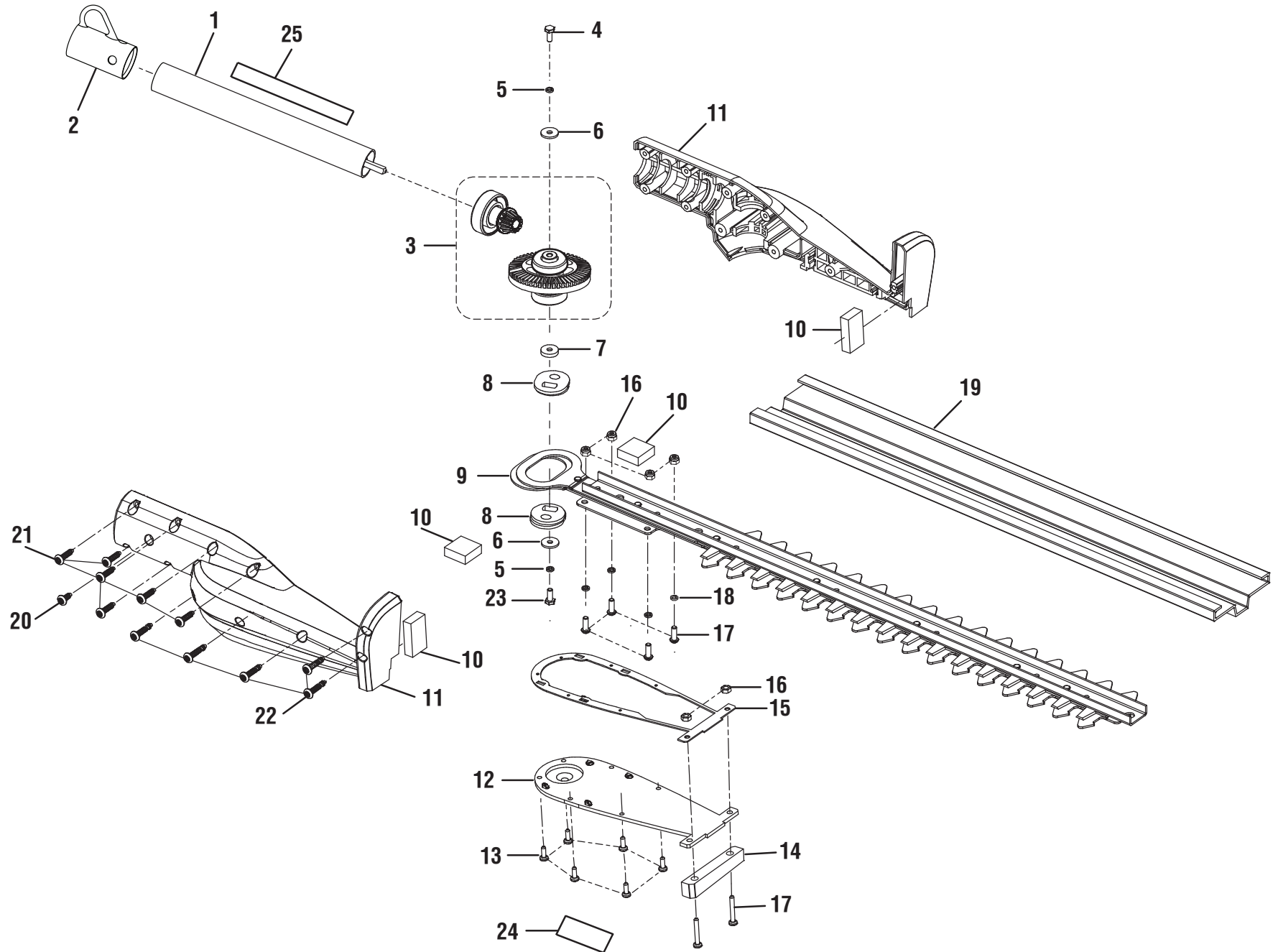


TECHTRONIC INDUSTRIES POWER EQUIPMENT

P.O. Box 1288, Anderson, SC 29622 ■ 1-800-525-2579 ■ www.ryobitools.com

8-10-21 (Rev:04)

The model number and manufacturing location will be found on a label attached to the product. Always mention this information in all communications regarding this product and when ordering parts.





RYHDG88/RYHDG88VNM

PARTS LIST

KEY NO.	PART NO.	DESCRIPTION	QTY.
1	310699011	Lower Drive Shaft Assembly (Inc. Key Nos. 2 and 25)	1
2	518019004	Hanger Cap	1
3	220100007	Output Gear and Pinion Assembly	1
4	660927001	Screw (M5 x 10 mm)	1
5	678343001	Spring Washer (M5)	2
6	678341002	Washer (M5)	2
7	638342001	Cam Spacer	1
8	678350001	Cam	2
9	308548030	Blade Assembly	1
10	901382001	Felt	4
11	120530011	Housing Assembly	1
12	311509001	Bottom Housing Plate (Inc. Key No.24)	1
13	660923001	Screw (M4 x 16 mm)	6
14	523427001	Guard	1

KEY NO.	PART NO.	DESCRIPTION	QTY.
15	591617001	Seal	1
16	678344002	Lock Nut (M4)	6
17	660924002	Screw (M4 x 16 mm)	6
18	678346001	Spring Washer (M4)	4
19	518463009	Scabbard	1
20	660925002	Screw (M4 x 9 mm)	1
21	660927002	Screw (M5 x 14.5 mm)	6
22	660926001	Screw (M5 x 26.5 mm)	5
23	660927008	Screw (M5 x 12 mm, Hex Hd.)	1
24	940680005	Hot Surface Label	1
25	940749006	Warning Label	1
	Not Shown:		
	991000569	Operator's Manual	