



REGISTER YOUR TOOLS
<http://register.ryobitools.com>
 1-800-860-4050

OPERATOR'S MANUAL
MANUEL D'UTILISATION
MANUAL DEL OPERADOR
ELECTRIC CULTIVATOR
CULTIVATEUR ÉLECTRIQUE
CULTIVADORA ELÉCTRICA

RYAC700

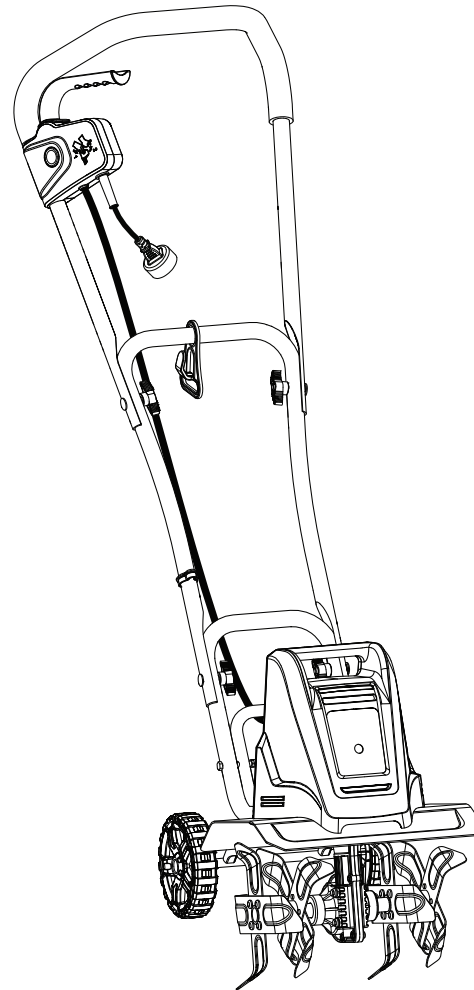


TABLE OF CONTENTS

- Important Safety Instructions..... 2-4
- Symbols5
- Electrical6
- Features7
- Assembly 7-9
- Operation 9-11
- Maintenance 11
- Troubleshooting12
- Parts Ordering/Service..... Back Page

TABLE DES MATIÈRES

- Instructions importantes concernant la sécurité..... 2-4
- Symboles5
- Caractéristiques électriques6
- Caractéristiques7
- Assemblage 7-9
- Utilisation 9-11
- Entretien.....11
- Dépannage.....12
- Commande de pièces/réparation..... Page arrière

ÍNDICE DE CONTENIDO

- Instrucciones de seguridad importantes 2-4
- Símbolos5
- Aspectos eléctricos6
- Características7
- Armado 7-9
- Funcionamiento 9-11
- Mantenimiento 11
- Corrección de problemas12
- Pedidos de piezas/servicio..... Pág. posterior

⚠ WARNING: To reduce the risk of injury, the user must read and understand the operator's manual before using this product.

⚠ AVERTISSEMENT : Pour réduire les risques de blessures, l'utilisateur doit lire et veiller à bien comprendre le manuel d'utilisation avant d'employer ce produit.

⚠ ADVERTENCIA: Para reducir el riesgo de lesiones, el usuario debe leer y comprender el manual del operador antes de usar este producto.

SAVE THIS MANUAL FOR FUTURE REFERENCE

CONSERVER CE MANUEL POUR FUTURE RÉFÉRENCE

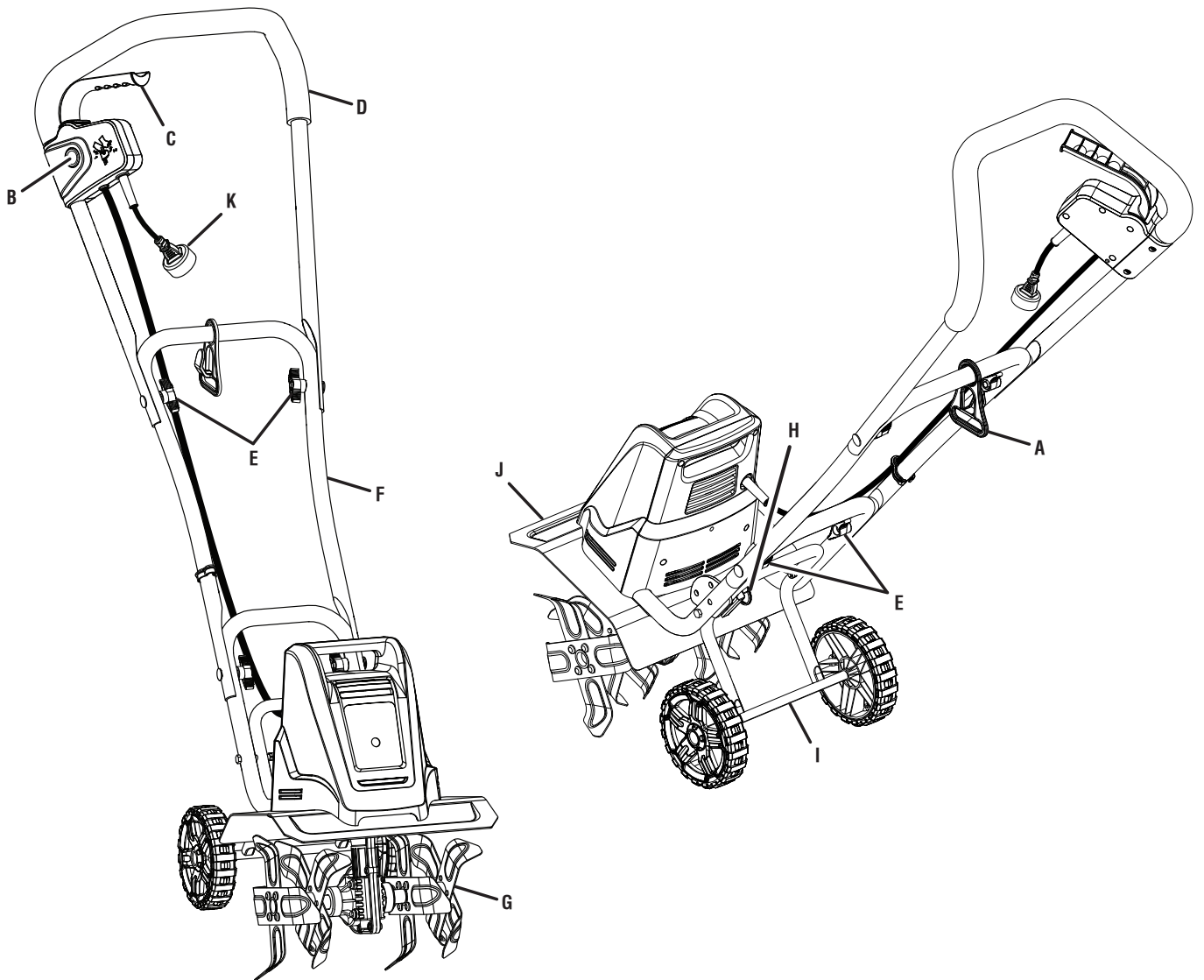
GUARDE ESTE MANUAL PARA FUTURAS CONSULTAS

**See this fold-out section for all the figures referenced
in the operator's manual.**

**Voir que cette section d'encart pour toutes les figures
a adressé dans le manuel d'utilisation.**

**Vea esta sección de la página desplegable para todas
las figuras mencionó en el manual del operador.**

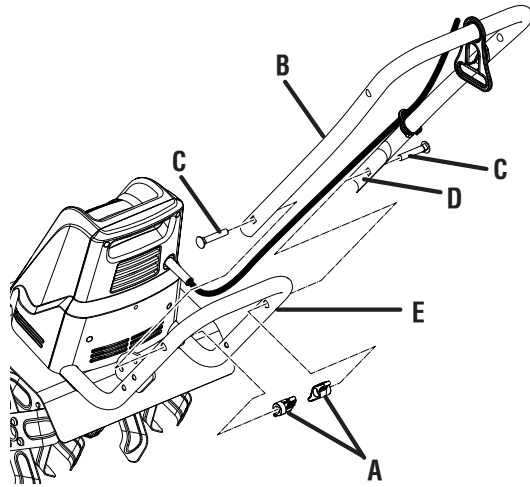
Fig. 1



- A - Cord retainer (retenue de cordon, retén para el cordón)
- B - Lock-out button (bouton de verrouillage, botón de seguro)
- C - Switch trigger (gâchette, gatillo del interruptor)
- D - Upper handle (poignée supérieure, mango superior)
- E - Knob (bouton, perilla)
- F - Lower handle (poignée inférieure, mango inferior)
- G - Tines (dents, púas)

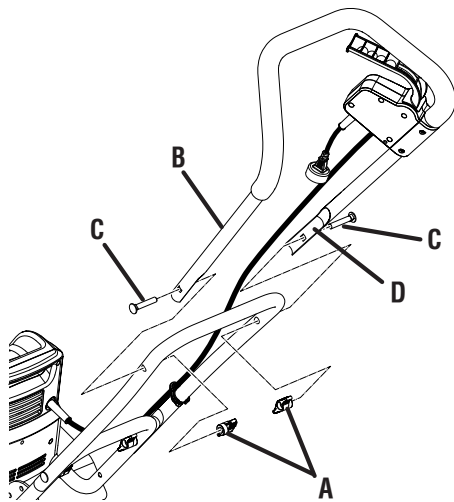
- H - Lock pin (goupille de verrouillage, pasador de fijación)
- I - Wheel assembly (ensemble de roues, conjunto de rueda)
- J - Tine shield (arbre de lames, protector de las aspas)
- K - Plug connector (fiche connecteur, conector de la clavija)

Fig. 2



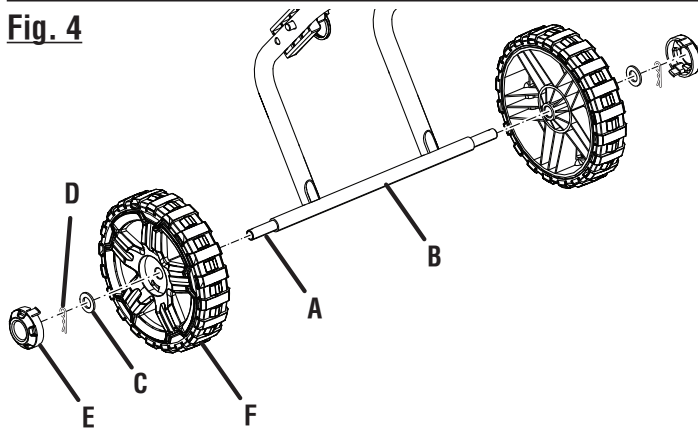
- A - Knob (bouton, perilla)
- B - Lower handle (poignée inférieure, mango inferior)
- C - Bolt (boulon, perno)
- D - Groove (rainure, ranura)
- E - Bar (barre, barra)

Fig. 3



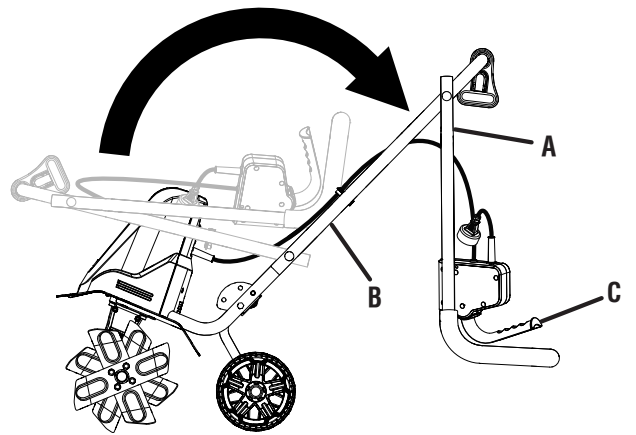
- A - Knob (bouton, perilla)
- B - Upper handle (poignée supérieure, mango superior)
- C - Bolt (boulon, perno)
- D - Groove (rainure, ranura)

Fig. 4



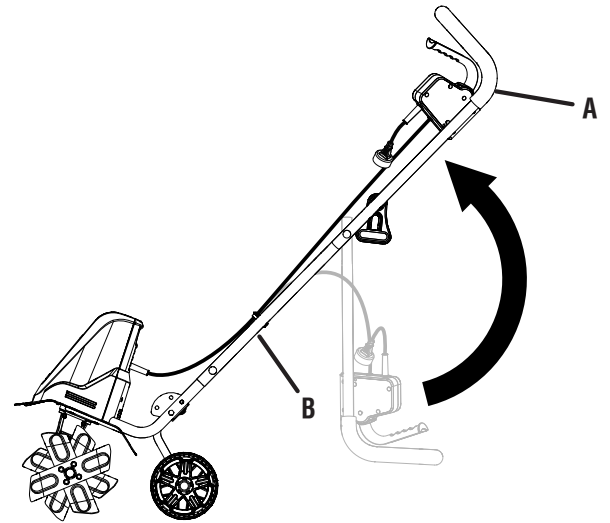
- A - Axle (essieu, eje)
- B - Wheel assembly (ensemble de roues, conjunto de rueda)
- C - Washer (rondelle, arandela)
- D - Hitch pin (axe de blocage, pasador del engancho)
- E - End cap (capuchon d'extrémité, tapa extremo)
- F - Wheel (roues, rueda)

Fig. 5



- A - Upper handle (poignée supérieure, mango superior)
- B - Lower handle (poignée inférieure, mango inferior)
- C - Switch trigger cable (câble decommutateur, cable del interruptor)

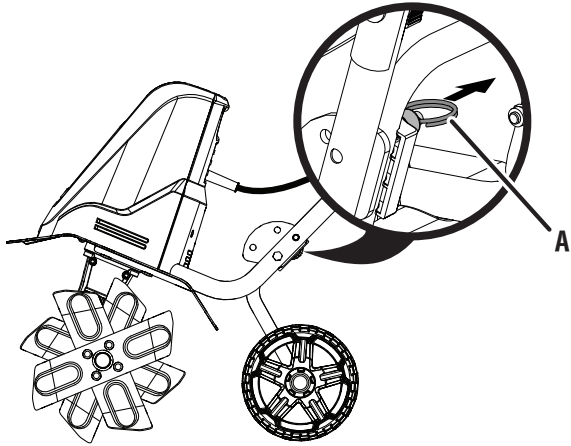
Fig. 6



- A - Upper handle (poignée supérieure, mango superior)
- B - Lower handle (poignée inférieure, mango inferior)

Fig. 7

**POSITION "A"
POSITION «A» / POSICIÓN "A"**



A - Pull to release pin (tirer pour relâcher la tige, tire para liberar el perno)

Fig. 8

**POSITION "B"
POSITION «B» / POSICIÓN "B"**

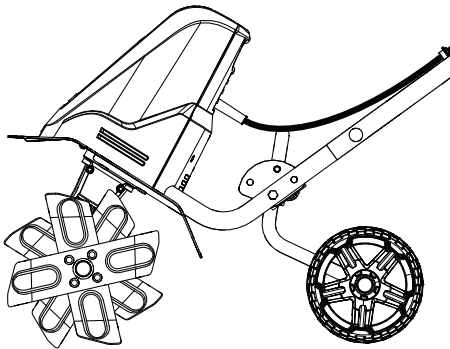


Fig. 9

**POSITION "C"
POSITION «C» / POSICIÓN "C"**

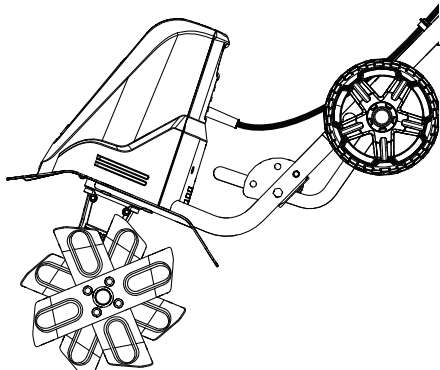


Fig. 10

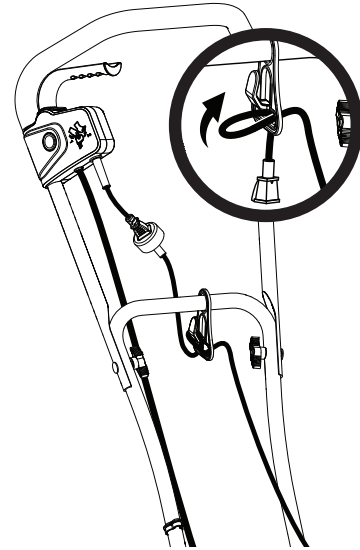


Fig. 11



A - Lock-out button (bouton de verrouillage, botón de seguro)
B - Switch trigger (gâchette, gatillo del interruptor)

IMPORTANT SAFETY INSTRUCTIONS



WARNING:

READ AND UNDERSTAND ALL INSTRUCTIONS.

Failure to follow all instructions listed below and on the machine may result in electric shock, fire, and/or serious personal injury.

- Know your cultivator. Read operator's manual carefully. Learn its applications and limitations, as well as the specific potential hazards related to this cultivator. Know how to stop the unit and disengage the controls quickly. Following this rule will reduce the risk of electric shock, fire, or serious injury.
- Do not permit children to use cultivator. It is not a toy. Do not allow uninstructed adults to use this machine.
- Powered walk-behind cultivator work is strenuous. You must be in good physical condition and mentally alert. If you have any condition that might be aggravated by strenuous work, check with your doctor before operating a powered walk-behind cultivator.
- Use only accessories that are recommended by the manufacturer for your model described in this manual. Accessories that may be suitable for one cultivator may create a risk of injury when used on another cultivator. Use only as described in this manual.
- Do not put any object into openings. Do not use with any opening blocked; keep free of dust, lint, hair, and anything that may reduce air flow.
- Keep hair, loose clothing, fingers, and all parts of body away from openings and moving parts.
- Avoid Dangerous Environment - Don't use appliances in damp or wet locations.
- Do not operate in poor lighting.
- To reduce the risk of electric shock, this product has a polarized plug (one blade is wider than the other) and will require the use of a polarized extension cord. The plug will fit into a polarized extension cord only one way. If the plug does not fit fully into the extension cord, reverse the plug. If the plug still does not fit, obtain a correct polarized extension cord. A polarized extension cord will require the use of a polarized wall outlet. This plug will fit into the polarized wall outlet only one way. If the plug does not fit fully into the wall outlet, reverse the plug. If the plug still does not fit, contact a qualified electrician to install the proper wall outlet. Do not change the equipment plug, extension cord receptacle, or extension cord plug in any way.
- Avoid body contact with grounded surfaces such as pipes, radiators, ranges, and refrigerators. There is an increased risk of electric shock if your body is grounded.
- Make sure your extension cord is in good condition. When using an extension cord, be sure to use one heavy enough to carry the current your product will draw. A wire gauge size (A.W.G.) of at least **14** is recommended for an extension cord 50 feet or less in length. If in doubt, use the next heavier gauge. The smaller the gauge number, the heavier the cord. An undersized cord will cause a drop in line voltage resulting in loss of power and overheating.
- **WARNING:** Use outdoor extension cords marked SW-A, SOW-A, STW-A, STOW-A, SJW-A, SJTW-A, or SJTOW-A. These cords are rated for outdoor use and reduce the risk of electric shock.
- Ground Fault Circuit Interrupter (GFCI) protection should be provided on the circuit(s) or outlet(s) to be used for the product. Receptacles are available having built-in GFCI protection and may be used for this measure of safety.
- This product is designed with a cord retainer that prevents the extension cord from being pulled loose while using.
- If cord is damaged in any manner while plugged in, pull extension cord from wall receptacle. Replace damaged cords immediately. Damaged cords increase the risk of electric shock.
- Don't Abuse Cord — Never carry cultivator by cord or yank it to disconnect from receptacle. Keep cord from heat, oil, sharp edges and rotating parts.
- Keep hands away from moving parts.
- Never pick up or carry the cultivator while the tines are turning or the motor is running. Don't grasp the exposed cutting blades or cutting edges when picking up or holding the appliance.
- Avoid Unintentional Starting – Do not carry plugged in appliance with finger on trigger. Be sure the switch trigger is not engaged before plugging in.
- Do not use tool if switch trigger does not turn it on or off. Any tool that cannot be controlled with the switch trigger is dangerous and must be repaired.
- Do not operate cultivators in explosive atmospheres, such as in the presence of flammable liquids, gases, or dust. Cultivators create sparks which may ignite the dust or fumes.
- Keep bystanders, children, and visitors at least 100 ft. away while operating a cultivator. Distractions can cause you to lose control.
- Start the cultivator carefully according to instructions from a normal operating position and with feet well away from the tines.
- If appliance is not working as it should, has been dropped, damaged, left outdoors, or dropped into water, return it to a service center.
- Stay alert, watch what you are doing and use common sense when operating a power cultivator. Do not use cultivator while tired, upset, ill, or under the influence of drugs, alcohol, or medication. A moment of inattention while operating cultivators may result in serious personal injury.

IMPORTANT SAFETY INSTRUCTIONS




- Use safety equipment. Always wear eye protection. Dust mask, non-skid safety shoes, hard hat, or hearing protection must be used for appropriate conditions.
- Dress properly — Do not wear loose clothing, scarves, or jewelry. They can be caught in moving parts.
- Use of rubber gloves and substantial footwear is recommended when working outdoors.
- Secure long hair so it is above shoulder level to prevent entanglement in any moving parts.
- Check for misalignment or binding of moving parts, breakage of parts, and any other condition that may affect the cultivator's operation. If damaged, have the cultivator serviced before using. Many accidents are caused by poorly maintained cultivators.
- Keep the cultivator and its handle dry, clean, and free from oil and grease. Always use a clean cloth when cleaning. Never use brake fluids, gasoline, petroleum-based products, or any strong solvents to clean your cultivator. Following this rule will reduce the risk of loss of control and deterioration of the enclosure plastic.
- Always wear safety glasses with side shields. Everyday glasses have only impact resistant lenses. They are NOT safety glasses. Following this rule will reduce the risk of eye injury.
- Always wear eye protection with side shields marked to comply with ANSI Z87.1 along with hearing protection when operating this equipment. Following this rule will reduce the risk of serious personal injury.
- Protect your lungs. Wear a face or dust mask if the operation is dusty. Following this rule will reduce the risk of serious personal injury.
- Don't expose cultivators to rain. Water entering a cultivator will increase the risk of electric shock.
- Never spray water directly into the motor compartment of the cultivator.
- Wear heavy long pants, long sleeves, boots, and gloves. Avoid loose garments or jewelry that could get caught in moving parts of the machine or its motor.
- Wear rubber boots when operating the cultivator. Protective footwear will protect your feet and improve your footing on slippery surfaces. Do not go barefoot or wear sandals.
- Keep firm footing and balance. Do not overreach. Overreaching can result in loss of balance.
- Store Idle Cultivators Indoors — When not in use, cultivator should be stored indoors in a dry, locked up place — unplugged and out of the reach of children.
- Do not hang unit so that the switch trigger is depressed.
- Cultivator service must be performed only by qualified repair personnel. Service or maintenance performed by unqualified personnel may result in a risk of injury.
- When servicing a cultivator, use only identical replacement parts. Replace or repair damaged cords. Follow instructions in the *Maintenance* section of this manual. Use of unauthorized parts or failure to follow *Maintenance* instructions may create a risk of shock or injury.
- Check the work area before each use. Remove all objects such as rocks, broken glass, nails, wire, or string which can be thrown or become entangled in the machine.
- For household use only.
- Use the right appliance — Do not use the cultivator for any job except that for which it is intended.
- Do not force the cultivator — It will do the job better and safer at the rate for which it was designed.
- Do not use near underground electric cables, telephone lines, pipes, or hoses. If in doubt, contact your utility or telephone company to locate underground services.
- Rotating tines can cause severe injury; do not allow hands, feet, or any other part of the body or clothing near the rotating tines or any other moving part. The tines begin to rotate once the lock-out button is depressed and switch trigger is pulled. The tines continue to rotate until the switch trigger is released.
- Maintain a firm grip on both handles while cultivating. Use extreme caution when reversing or pulling the machine towards you. Never operate the equipment on a slope.
- If the cultivator should start to vibrate abnormally or become noisy, stop the motor and check immediately for the cause. Abnormal noise is generally a warning of trouble.
- Keep all fasteners tight to be sure the cultivator is in safe working condition.
- Check that the lock pins are fully inserted into the tine shaft before each use.
- Exercise extreme caution when crossing gravel surfaces. Stay alert for hidden hazards or traffic.
- Be extremely careful when tilling in hard ground. The equipment may unexpectedly bounce upward or jump forward if the tines should strike buried obstacles such as large stones, roots, or stumps.
- Do not overload the capacity of the machine by attempting to till too deep or at too fast a speed.

IMPORTANT SAFETY INSTRUCTIONS








- If the cultivator strikes a foreign object, follow these steps:
 - Release the switch trigger and wait until the unit comes to a complete stop.
 - Disconnect the cultivator from the power supply.
 - Thoroughly inspect the cultivator for any damage.
 - Repair any damage before restarting and continuing to operate the cultivator.
- Do not lift up or hold the cultivator above the ground when operating, which can result in loss of control and possible serious personal injury. Only operate the cultivator in accordance with the operating instructions provided in this operator's manual.
- Keep guards in place and in working order. Never operate the machine without proper guards, plates, or other safety protective devices in place.
- Check Damaged Parts - Before further use of the appliance, a guard or other part that is damaged should be carefully checked to determine that it will operate properly and perform its intended function. Check for alignment of moving parts, binding of moving parts, breakage of parts, mounting, and any other condition that may affect its operation. A guard or other part that is damaged should be properly repaired or replaced by an authorized service center unless indicated elsewhere in this manual.
- Disconnect the plug from power source when not in use, before servicing, and when changing accessories.
- Maintain Appliance With Care - Keep cutting edge sharp and clean for best performance and to reduce the risk of injury. Follow instructions for lubricating and changing accessories. Inspect appliance cord periodically, and if damaged, have it repaired by an authorized service facility. Inspect extension cords periodically and replace if damaged. Keep handles dry, clean, and free from oil and grease.
- Save these instructions. Refer to them frequently and use them to instruct others who may use this tool. If you loan someone this tool, loan them these instructions also.

SYMBOLS

The following signal words and meanings are intended to explain the levels of risk associated with this product.

SYMBOL	SIGNAL	MEANING
	DANGER:	Indicates a hazardous situation, which, if not avoided, will result in death or serious injury.
	WARNING:	Indicates a hazardous situation, which, if not avoided, could result in death or serious injury.
	CAUTION:	Indicates a hazardous situation, that, if not avoided, may result in minor or moderate injury.
	NOTICE:	(Without Safety Alert Symbol) Indicates information considered important, but not related to a potential injury (e.g. messages relating to property damage).

Some of the following symbols may be used on this product. Please study them and learn their meaning. Proper interpretation of these symbols will allow you to operate the product better and safer.

SYMBOL	NAME	DESIGNATION/EXPLANATION
	Safety Alert	Indicates a potential personal injury hazard.
	Read Operator's Manual	To reduce the risk of injury, user must read and understand operator's manual before using this product.
	Eye Protection	Always wear eye protection with side shields marked to comply with ANSI Z87.1.
	Wet Conditions Alert	Do not expose plug to water or rain.
	Keep Bystanders Away	Keep all bystanders at least 50 ft. away.
	Rotating Tines	Danger — Keep hands and feet away from rotating tines. Rotating tines will cause injury.
V	Volts	Voltage
A	Amperes	Current
Hz	Hertz	Frequency (cycles per second)
W	Watt	Power
hrs	Hours	Time
n_0	No Load Speed	Rotational speed, at no load
	Class II Construction	Double-insulated construction
.../min	Per Minute	Revolutions, strokes, surface speed, orbits etc., per minute

ELECTRICAL

DOUBLE INSULATION

Double insulation is a concept in safety in electric power tools, which eliminates the need for the usual three-wire grounded power cord. All exposed metal parts are isolated from the internal metal motor components with protecting insulation. Double insulated tools do not need to be grounded.

WARNING:

The double insulated system is intended to protect the user from shock resulting from a break in the tool's internal insulation. Observe all normal safety precautions to avoid electrical shock.

NOTE: Servicing of a tool with double insulation requires extreme care and knowledge of the system and should be performed only by a qualified service technician. For service, we suggest you return the tool to your nearest authorized service center for repair. Always use original factory replacement parts when servicing.

ELECTRICAL CONNECTION

This tool has a precision-built electric motor. It should be connected to a **power supply that is nominal 120V/60Hz AC (typical U.S. household circuit)**. Do not operate this tool on direct current (DC). A substantial voltage drop will cause a loss of power and the motor will overheat. If your tool does not operate when plugged into an outlet, double-check the power supply.

GFCI

Ground Fault Circuit Interrupter (GFCI) protection should be provided on the circuit(s) or outlet(s) to be used for the product. Receptacles are available having built-in GFCI protection and may be used for this measure of safety.

EXTENSION CORDS

When using a power tool at a considerable distance from a power source, be sure to use an extension cord that has the capacity to handle the current the tool will draw. An undersized cord will cause a drop in line voltage, resulting in overheating and loss of power. Use the chart to determine the minimum wire size required in an extension cord. Only round jacketed cords listed by Underwriter's Laboratories (UL) should be used.

When working outdoors with a tool, use an extension cord that is designed for outside use. This type of cord is designated with "WA" or "W" on the cord's jacket.

Before using any extension cord, inspect it for loose or exposed wires and cut or worn insulation.

**Ampere rating (on tool data plate)

Cord Length	Wire Size (A.W.G.)					
	0-2.0	2.1-3.4	3.5-5.0	5.1-7.0	7.1-12.0	12.1-16.0
25'	16	16	16	16	14	14
50'	16	16	16	14	14	12
100'	16	16	14	12	10	—

**Used on 12 gauge - 20 amp circuit.

NOTE: AWG = American Wire Gauge

WARNING:

Keep the extension cord clear of the working area. Position the cord so that it will not get caught on lumber, tools, or other obstructions while you are working with a power tool. Failure to do so can result in serious personal injury.

WARNING:

Check extension cords before each use. If damaged replace immediately. Never use tool with a damaged cord since touching the damaged area could cause electrical shock resulting in serious injury.

FEATURES

PRODUCT SPECIFICATIONS

Input	nominal 120V/60Hz AC only, 8.5 Amps
Number of Tines	2
Cultivating Depth	8 in.
Cultivating Width	11 in.

KNOW YOUR CULTIVATOR

See Figure 1.

The safe use of this product requires an understanding of the information on the product and in this operator's manual as well as a knowledge of the project you are attempting. Before use of this product, familiarize yourself with all operating features and safety rules.

LOCK-OUT BUTTON

The lock-out button prevents accidental starting of the cultivator.

SWITCH TRIGGER

The switch trigger starts and stops the rotation of the tines.

ASSEMBLY

UNPACKING

This product requires assembly.

- Carefully remove the product and any accessories from the box. Make sure that all items listed in the packing list are included.

WARNING:

Do not use this product if any parts on the packing list are already assembled to your product when you unpack it. Parts on this list are not assembled to the product by the manufacturer and require customer installation. Use of a product that may have been improperly assembled could result in serious personal injury.

- Inspect the product carefully to make sure no breakage or damage occurred during shipping.
- Do not discard the packing material until you have carefully inspected and satisfactorily operated the product.
- If any parts are damaged or missing, please call 1-800-860-4050 for assistance.

PACKING LIST

Cultivator
Upper Handle
Lower Handle
Bolts (6)
Knobs (4)
Nuts (2)
Wheels (2)
Washer (2)
Hitch pin (2)
End cap (2)
Operator's Manual

WARNING:

If any parts are damaged or missing, do not operate this product until the parts are replaced. Use of this product with damaged or missing parts could result in serious personal injury.

WARNING:

Do not attempt to modify this product or create accessories not recommended for use with this product. Any such alteration or modification is misuse and could result in a hazardous condition leading to possible serious personal injury.

WARNING:

Do not connect to power supply until assembly is complete. Failure to comply could result in accidental starting and possible serious personal injury.

ASSEMBLY

INSTALLING THE HANDLE ASSEMBLY

See Figures 2 - 3

- Place the lower handle onto the bar on the cultivator.
NOTE: The bar should fit inside the grooves in the lower handle.
- Align the holes in the lower handle with the holes in the bar, and secure using bolts and knobs. Tighten knobs securely.
- Place the upper handle onto the lower handle.
NOTE: The lower handle should fit inside the grooves in the upper handle.
- Align the holes in the lower handle with the holes in the upper handle, and secure using bolts and knobs. Tighten knobs securely.

INSTALLING THE WHEELS

See Figure 4.

Use the wheel assembly to transport the unit to and from the work area. **To install:**

- Remove the washer and hitch pin from the left side of the axle.
- Remove the end cap from the wheel.
- Place the wheel on the axle.
- Slide the washer onto the axle until it touches the wheel.
- Insert the hitch pin to secure.
NOTE: The hitch pin should be pushed into the axle until the center of the rests on top of the axle.
- Push the end cap into the center of the wheel until it snaps into place.
- Repeat with the second wheel.

FOLDING/UNFOLDING THE HANDLE ASSEMBLY

See Figures 5 - 6.

To fold handle assembly:

- Loosen the knobs on the upper handle.
- Fold the upper handle down and back onto the lower handle.
NOTE: Do not use force. If there is binding, continue to loosen the knobs. Do not allow the switch trigger cable to become pinched when lowering the handle.
- Loosen the knobs on the lower handle.
- Push the upper and lower handles forward and down onto the cultivator.

To unfold handle assembly:

- Pull the lower handle up and back until it is aligned with the bar on the cultivator.
NOTE: The bar should fit inside the grooves in the lower handle.

- Tighten the knobs on the lower handle, to secure it in place.
- Pull the upper handle up and forward until it is aligned with the lower handle.
NOTE: The lower handle should fit inside the grooves in the upper handle.
- Tighten the knobs on the upper handle, to secure it in place.

WARNING:

Be certain the knobs are fully tightened before operating equipment; check them periodically for tightness during use to avoid serious personal injury.

CHANGING WHEEL POSITIONS

See Figures 7 - 9.

The wheel position of the unit is adjustable. Adjust the position of the wheels by placing the pin on the wheel assembly into different holes on the bracket.

CAUTION:

The wheel assembly is spring loaded. Be careful to avoid pinching your fingers or hands when adjusting the wheel position.

- From the rear of the cultivator, pull the pin on the wheel assembly away from the bracket.
NOTE: The spring-loaded pin will snap forward if released.
- Slowly bring the wheel assembly toward the desired hole on the bracket and seat the pin on the wheel assembly into the hole on the bracket.
 - Place the wheel assembly into the top hole (position A) to transport the cultivator or for shallow cultivating.
 - Place the wheel assembly into the middle hole (position B) for general cultivating with moderate surface penetration.
 - Place the wheel assembly into the bottom hole (position C) to allow deep penetration of the tine blades into the cultivating surface.

OPERATION

WARNING:

Do not allow familiarity with products to make you careless. Remember that a careless fraction of a second is sufficient to inflict serious injury.

WARNING:

Always wear eye protection with side shields marked to comply with ANSI Z87.1. Failure to do so could result in objects being thrown into your eyes resulting in possible serious injury.

WARNING:

Do not use any attachments or accessories not recommended by the manufacturer of this product. The use of attachments or accessories not recommended can result in serious personal injury.

NOTICE:

Before each use, inspect the entire product for damaged, missing, or loose parts such as screws, nuts, bolts, caps, etc. Tighten securely all fasteners and caps and do not operate this product until all missing or damaged parts are replaced. Please contact customer service or an authorized service center for assistance.

APPLICATIONS

You may use this product for the purpose listed below:

- Breaking up garden soil to prepare seed bed for planting
- Shallow cultivating to remove weeds

CONNECTING TO POWER SUPPLY

See Figure 10.

This product is designed with a cord retainer that prevents the extension cord from being pulled loose while in use.

- Form a loop with the end of the extension cord.
- Insert loop portion of extension cord through opening in the bottom of the cord retainer and place over hook.
- Slowly pull loop against cord retainer until the slack is removed.
- Plug product into extension cord.

NOTE: Failure to remove all excess cord slack from extension cord retainer could result in plug loosening from receptacle.

WARNING:

Always disconnect cultivator from power supply when you are assembling parts, making adjustments, cleaning, or when not in use. This will prevent accidental starting that could cause serious personal injury.

STARTING/STOPPING THE CULTIVATOR

See Figure 10.

To start the motor:

- Connect the cultivator to power supply.

NOTICE:

Always secure extension cord to unit by using cord retainer. Failure to use cord retainer may result in damage to the unit and/or extension cord.

- Place your thumb on the lock-out button.
- Pull the switch trigger toward the handle.
- Release the lock-out button.

To stop the motor:

- Release the switch trigger.

PREPARING THE SEED BED

See Figure 11.

WARNING:

Do not allow hands, feet, or any other part of the body or clothing near the rotating tines or any other moving part. The tines begin to rotate once the lock-out button is depressed and switch trigger is pulled. The tines continue to rotate until the switch trigger is released. Failure to avoid contact could cause serious personal injury.

WARNING:

To avoid personal injury, never carry the cultivator while the motor is running. Move the cultivator to the work area before starting the motor.

WARNING:

After extended periods of use, the cultivator gearbox may become hot. To avoid burns, do not touch the gearbox until it has had time to cool down.

WARNING:

Always hold the cultivator away from the body keeping clearance between the body and the cultivator. Any contact with the tines while operating can result in serious personal injury.

OPERATION

The cultivator can be used to break up garden soil and prepare a seedbed for planting. Plan ahead to leave enough room between the seed rows to allow for machine cultivating after the plants have grown.

- With the wheel assembly installed in position A as described earlier, roll the machine to the work area.

- Adjust the position of the wheel assembly for shallow, moderate, or deep cultivation (refer to **Changing Wheel Positions**).

NOTE: Based on the type of soil being cultivated and soil conditions at the time, the appropriate position of the wheel assembly will vary.

- Plug the unit into an approved outdoor extension cord.
- Route the extension cord through the cord retainer.
- Stand behind the unit with the tines on the ground and the work area clean and free of obstructions.
- Depress the lock-out button.
- Pull the switch trigger toward the handle to begin tine rotation.

NOTE: The rotating tines help to pull the machine forward, so use slower speeds and a shallow depth setting when learning to use the unit and when cultivating on rough or uneven ground.

NOTE: Several passes over the same path may be required to reach the desired depth. Do not try to dig too deeply in the first pass. If the machine jumps or bucks, allow the unit to move forward at a slightly faster rate or adjust the position of the wheel assembly.

To dig more deeply, tilt the handle bar upward (lowering the tines). Apply downward pressure on the handle for more shallow cultivating (raising the tines).

If the machine stays and digs in one spot, try rocking the unit from side to side to start it moving forward again.

If the soil is very hard, water a few days before cultivating.

Avoid working the soil when soggy or wet. Wait a day or two after heavy rain for the ground to dry.

MAINTENANCE

WARNING:

Before inspecting, cleaning or servicing the unit, stop the motor, wait for all moving parts to stop, and disconnect from power supply. Failure to follow these instructions can result in serious personal injury or property damage.

WARNING:

Always wear eye protection with side shields marked to comply with ANSI Z87.1. Failure to do so could result in objects being thrown into your eyes resulting in possible serious injury.

WARNING:

When servicing, use only authorized replacement parts. Use of any other parts can create a hazard or cause product damage.

NOTICE:

Periodically inspect the entire product for damaged, missing, or loose parts such as screws, nuts, bolts, caps, etc. Tighten securely all fasteners and caps and do not operate this product until all missing or damaged parts are replaced. Please contact customer service or an authorized service center for assistance.

GENERAL MAINTENANCE

Avoid using solvents when cleaning plastic parts. Most plastics are susceptible to damage from various types of commercial solvents and may be damaged by their use. Use clean cloths to remove dirt, dust, oil, grease, etc.

WARNING:

Do not at any time let brake fluids, gasoline, petroleum-based products, penetrating oils, etc., come in contact with plastic parts. Chemicals can damage, weaken, or destroy plastic which can result in serious personal injury.

LUBRICATION

All of the bearings in this product are lubricated with a sufficient amount of high grade lubricant for the life of the unit under normal operating conditions. Therefore, no further bearing lubrication is required.

STORING THE CULTIVATOR

- Clean dirt, grass, and other materials from the entire unit.
- Wipe the tines with oil or spray them with silicone lubricant to prevent rusting.
- Oil the switch trigger cable and all visible moving parts. Do not remove the motor cover.
- Order new parts to replace any that are badly worn or broken.
- Store in an upright position in a clean, dry place. Store with the handles in the extended position, or loosen knobs and fold handles down. Do not allow switch trigger cable to become pinched when lowering the handle.

TROUBLESHOOTING

IF THESE SOLUTIONS DO NOT SOLVE THE PROBLEM CONTACT YOUR AUTHORIZED SERVICE DEALER.

PROBLEM	POSSIBLE CAUSE	SOLUTION
Motor fails to start when switch trigger is depressed.	Power cord is not plugged in or connection is loose.	Plug in the power cord.
	Household circuit breaker is tripped.	Check circuit breaker.
Motor runs but tines do not move.	Gear train failure.	Take unit to authorized service center.



MAKE THE MOST OF YOUR PURCHASE!

Go to <http://register.ryobitools.com> and register your new tool on-line.

Your product has been fully tested prior to shipment to ensure your complete satisfaction.

For any questions about operating or maintaining your product, call the RYOBI Help Line!

This product has a Five-year Limited Warranty for personal, family, or household use (90 days for business or commercial use). For warranty details, visit www.ryobitools.com or call (toll free) 1-800-860-4050.

INSTRUCTIONS IMPORTANTES CONCERNANT LA SÉCURITÉ



AVERTISSEMENT:

LISEZ ET VEILLENZ À COMPRENDRE TOUTES LES INSTRUCTIONS. Le non respect des instructions énumérées ci-dessous et sur la machine pourrait résulter en un choc électrique, un incendie, et/ou des blessures sérieuses.

- Apprendre à connaître le cultivateur. Lire attentivement le manuel d'utilisation. Apprendre les applications et les limites de le cultivateur, ainsi que les risques spécifiques relatifs à son utilisation. Savoir comment arrêter l'appareil et désengager les commandes rapidement. Le respect de cette consigne réduira les risques d'incendie, de choc électrique et de blessures graves.
- Interdire l'utilisation du cultivateur aux enfants. Ce n'est pas un jouet. Ne pas laisser des adultes non formés utiliser cet appareil.
- Le travail avec un cultivateur poussé motorisé est exténuant. Il faut avoir une bonne forme physique et être mentalement alerte. Si l'utilisateur a une condition pouvant être aggravée par un travail exténuant, consulter un médecin avant d'utiliser un cultivateur poussé motorisé.
- Utiliser exclusivement les accessoires recommandés par le fabricant pour le modèle d'outil concerné décrit dans ce manuel. Des accessoires appropriés pour un cultivateur peuvent être dangereux s'ils sont utilisés avec un autre. Utiliser exclusivement selon les instructions de ce manuel.
- Ne pas insérer d'objet dans les ouvertures. Ne pas utiliser si une ouverture est bloquée ; veiller à ce que les ouvertures ne soient jamais obstruées par de la poussière, de la peluche, des cheveux ou quoi que ce soit risquant de réduire le flux d'air.
- Garder les cheveux, les vêtements amples, les doigts et toute autre partie du corps à l'écart des ouvertures et pièces en mouvement.
- Éviter les environnements dangereux – Ne pas utiliser d'appareils dans des endroits humides ou mouillés.
- Ne pas travailler sous un éclairage insuffisant.
- Pour réduire le risque d'un choc électrique, ce produit est muni d'une fiche polarisée (une lame est plus large que l'autre) et il nécessitera un cordon d'extension polarisé. La fiche peut être branchée à un cordon d'extension polarisé seulement d'une façon. Si la fiche ne peut pas être branchée complètement dans le cordon d'extension, renversez la fiche. Si la fiche ne peut toujours pas être branchée, procurez-vous un cordon d'extension approprié. Un cordon d'extension polarisé exige l'utilisation d'une prise murale polarisée. La fiche peut être branchée à une prise murale polarisée seulement d'une façon. Si la fiche ne peut pas être branchée complètement dans la prise murale, renversez la fiche. Si la fiche ne peut toujours pas être branchée, contactez un électricien qualifié pour installer une prise murale adéquate. Ne modifiez pas la fiche de l'outil, le connecteur du cordon d'extension ou la fiche du cordon d'extension d'aucune façon.
- Éviter le contact du corps avec les surfaces mises à la terre comme des tuyaux, radiateurs, cuisinières et réfrigérateurs. Ces articles représentent un risque accru de décharge électrique si le corps devient conducteur.
- Assurez-vous que le cordon d'extension est en bon état. Quand vous utilisez le cordon d'extension, assurez-vous d'utiliser un cordon de calibre approprié pour rapporter le courant que votre produit soutiendra. Pour un cordon d'extension de 15 m (50 pi) ou moins, il est recommandé d'utiliser un câble de calibre d'au moins 14 AWG. En cas de doute, utilisez le calibre supérieur suivant. Plus le numéro de jauge est petit, plus le calibre est élevé. Un cordon prolongateur de calibre insuffisant causera une perte de tension et provoquera ainsi une panne électrique et une surchauffe.
- **AVERTISSEMENT :** Utilisez les cordons prolongateurs pour extérieur marqués SW-A, SOW-A, STW-A, STOW-A, SJW-A, SJTW-A, ou SJTOW-A. Ces cordons prolongateurs sont homologués pour l'utilisation à l'extérieur et réduisent le risque de choc électrique.
- Les circuits utilisés avec le produit devraient être munis d'un interrupteur de défaut à la terre. Des connecteurs avec un interrupteur de défaut à la terre sont disponibles et peuvent être utilisés pour satisfaire à cette mesure de sécurité.
- Ce produit comporte un dispositif de retenue pour cordon pour empêcher le cordon prolongateur d'être délogé de l'outil lors de son utilisation.
- Si un cordon branché s'endommage de quelque manière que ce soit, débranchez-le de la prise de courant. Remplacer immédiatement les cordons endommagés. Les cordons endommagés augmentent le risque de choc électrique.
- Ne pas maltraiter le cordon d'alimentation — Ne jamais utiliser le cordon d'alimentation pour transporter le cultivateur et ne jamais débrancher ce dernier en tirant sur le cordon. Garder le cordon à l'écart de la chaleur, de l'huile et des objets tranchants.
- Garder les mains à l'écart des pièces en mouvement.
- Ne jamais ramasser ou transporter le cultivateur lorsque les dents ou le moteur tournent. Ne pas saisir les lames tranchantes exposées ou les arêtes en ramassant ou tenant l'appareil.
- Éviter une mise en marche accidentelle – Éviter les démarrages accidentels. S'assurer que la gâchette du commutateur n'est pas engagée avant de brancher l'outil.
- Ne pas utiliser l'outil si le commutateur ne permet pas de le mettre en marche et de l'arrêter. Tout outil qui ne peut pas être contrôlé par son commutateur est dangereux et doit être réparé.
- Ne pas utiliser les cultivateurs dans des atmosphères explosives, en présence de liquides, de gaz ou de poussières inflammables par exemple. Les cultivateurs produisent des étincelles qui risquent d'enflammer les poussières ou les vapeurs.
- Éloigner les badauds, enfants et visiteurs à une distance d'au moins 30,5 m (100 pi) pendant l'utilisation d'un cultivateur. Les distractions peuvent causer une perte de contrôle.
- Démarrer le cultivateur avec précaution en suivant les instructions pour une position d'utilisation normale et en éloignant bien les pieds des dents.
- Si l'appareil ne fonctionne pas correctement, s'il a été échappé, s'il est endommagé, s'il a été laissé à l'extérieur ou s'il est tombé dans l'eau, retourner le produit au centre de réparations.

INSTRUCTIONS IMPORTANTES CONCERNANT LA SÉCURITÉ




- Rester attentif, prêter attention au travail et faire preuve de bon sens lors de l'utilisation de tout cultivateur motorisé. Ne pas utiliser cet cultivateur en état de fatigue, vexé, de douleur, ou sous l'influence d'alcool, de drogues ou de médicaments. Un moment d'inattention pendant l'utilisation d'un cultivateur peut causer des blessures graves.
- Utiliser un équipement de sécurité. Toujours porter des lunettes de protection. Suivant les conditions, le port d'un masque filtrant, de chaussures de sécurité, d'un casque ou d'une protection auditive est recommandé.
- Porter une tenue appropriée — Ne porter ni vêtements amples, foulards, ni bijoux. Ils peuvent être pris dans les parties en mouvement.
- On recommande d'utiliser des gants de caoutchouc et des chaussures solides pour le travail à l'extérieur.
- Attacher les cheveux longs pour les maintenir au-dessus des épaules, afin qu'ils ne se prennent pas dans les pièces en mouvement.
- Vérifier qu'aucune pièce mobile n'est mal alignée ou bloquée, qu'aucune pièce n'est brisée et s'assurer qu'aucun autre problème ne risque d'affecter le bon fonctionnement de la machine. En cas de dommages, faire réparer le cultivateur avant de l'utiliser de nouveau. Beaucoup d'accidents sont causés par des cultivateurs mal entretenus.
- Garder le cultivateur et sa poignée secs, propres et exempts d'huile ou de graisse. Toujours utiliser un chiffon propre pour le nettoyage. Ne jamais nettoyer le cultivateur avec du liquide de frein, de l'essence, des produits à base de pétrole ou des solvants puissants. Le respect de cette règle réduira les risques de perte de contrôle et de dommage du boîtier en plastique.
- Toujours porter des lunettes de sécurité avec écrans latéraux. Les lunettes de vue ordinaires sont munies seulement de verres résistants aux impacts. Ce ne sont PAS des lunettes de sécurité. Le respect de cette règle réduira les risques de choc électrique.
- Porter une protection oculaire avec écrans latéraux certifiée conforme à la norme ANSI Z87.1 lors de l'utilisation de ce produit. Le respect de cette règle réduira les risques de blessures graves.
- Protection respiratoire. Porter un masque facial ou un masque anti-poussière si le travail produit de la poussière. Le respect de cette consigne réduira les risques de blessures graves.
- Ne pas exposer les cultivateurs motorisés à la pluie. La pénétration d'eau dans ces cultivateurs accroît le risque de choc électrique.
- Ne jamais arroser de l'eau dans le compartiment moteur du cultivateur.
- Porter des pantalons longs, des bottes et des gants. Éviter de porter des vêtements lâches ou des bijoux qui pourraient être pris dans les pièces en mouvement de la machine ou le moteur.
- Porter des bottes de caoutchouc lors de l'utilisation de cultivateurs. Chaussures de protection aura pour protéger vos pieds et améliorer l'équilibre sur des surfaces glissantes. Ne pas travailler pieds nus ou porter de sandales.
- Se tenir bien campé et en équilibre. Ne pas travailler hors de portée de l'outil. Cette façon de travailler pourrait vous faire perdre l'équilibre.
- Entreposer les cultivateurs à l'intérieur — Lorsqu'il n'est pas utilisé, les cultivateurs doivent être rangés à l'intérieur dans un endroit sec et sous verrou, débranchés et hors de la portée des enfants.
- Éviter que la gâchette ne soit appuyée lors de la suspension de l'appareil.
- Le service de réparation doit être seulement exécuté par le personnel de réparation qualifié. Entretien ou l'entretien exécuté par le personnel incompetent peut avoir pour résultat un risque de blessure.
- En entretenant un cultivateur, un usage ou remplacement seulement identique sépare. Remplacer ou réparera les cordons endommagés. Suivre des instructions dans la section d'*Entretien* de ce manuel. L'usage de parties ou l'échec inattendus pour suivre les instructions d'*Entretien* peuvent créer un risque de choc ou de blessure.
- Examiner la zone de travail avant chaque utilisation. Débarrasser tous les objets tels que cailloux, verre brisé, clous, fils métalliques, cordes, etc. risquant d'être éjectés ou de se prendre dans la machine.
- Pour usage domestique seulement.
- Utilisez l'outil approprié - N'utilisez pas le cultivateur pour aucune tâche sauf celle pour laquelle elle est conçue.
- Ne forcez pas le cultivateur — Elle exécutera le travail mieux et de façon plus sécuritaire à la vitesse pour laquelle elle fut conçue.
- Ne pas utiliser l'outil à proximité de câbles électriques, de lignes de téléphone, de conduites ou de tuyaux enterrés. En cas de doute, contacter la compagnie de téléphone ou de services publics pour identifier les conduites ou lignes enterrées.
- Les dents en rotation peuvent provoquer des blessures graves; ne pas approcher les mains, les pieds ou toute autre partie du corps ou bien des vêtements près des dents en rotation ou de toute autre pièce en mouvement. Les dents commencent à tourner dès que le bouton de verrouillage est enfoncé et que la gâchette est relâchée. Les dents continuent à tourner jusqu'à ce que la gâchette est relâchée.
- Maintenir fermement les deux poignées pendant le travail de labourage. Faire extrêmement attention pour aller en arrière ou tirer la machine vers soi. Ne jamais utiliser l'appareil sur une pente.
- Si le cultivateur se met à vibrer anormalement ou devient bruyant, arrêter le moteur et rechercher immédiatement la cause. Un bruit anormal annonce en général un problème.
- Maintenir tous les assemblages serrés et s'assurer de la bonne sécurité de fonctionnement du cultivateur.
- Vérifier avant chaque utilisation que les goupilles de verrouillage sont bien insérées dans l'axe des lames dentées.
- Faire preuve d'une grande prudence lors d'un déplacement sur des surfaces en gravier. Rester vigilant à l'égard des dangers cachés ou de la circulation.
- Faire preuve de la plus grande prudence pour travailler une terre dure. L'appareil peut soudainement rebondir ou sauter en avant, si les dents frappent des obstacles enfouis tels que des pierres larges, des racines ou des souches.
- Ne pas surcharger la machine en essayant de travailler à une profondeur ou une vitesse excessives.

INSTRUCTIONS IMPORTANTES CONCERNANT LA SÉCURITÉ








- Si le cultivateur frappe un objet étranger, suivez ces étapes:
 - Relâcher la gâchette et attendre que l'appareil s'arrête complètement.
 - Débrancher la fiche de cultivateur de la prise de courant.
 - Inspectez attentivement le cultivateur pour desceller les dommages.
 - Réparez tout dommage avant de démarrer et de continuer à utiliser le cultivateur électrique.
- Ne pas soulever ou tenir le cultivateur au-dessus du sol pendant qu'elle fonctionne pour éviter une perte de contrôle et le risque de blessures graves. Faire uniquement fonctionner le cultivateur conformément aux instructions d'utilisation dans ce manuel d'utilisation.
- Garder tous les dispositifs de protection en bon état et fonctionnels. Ne jamais faire fonctionner l'outil sans avoir installé les protecteurs, plaques et autres dispositifs de protection.
- S'assurer que les pièces sont en bon état – Avant d'utiliser à nouveau l'appareil, un protecteur endommagé ou une pièce brisée doit être vérifié soigneusement afin de déterminer le bon état de fonctionnement et de performance pour lequel il a été conçu. S'assurer du bon alignement des pièces mobiles, que les pièces mobiles sont perpendiculaires et intactes, que les pièces sont installées correctement et qu'aucune condition ne nuise au bon fonctionnement. Un protecteur brisé ou toute autre pièce endommagée doit être réparé ou remplacé par un centre de réparations agréé, sauf s'il en est indiqué autrement dans ce manuel.
- Débrancher le chargeur de la prise secteur lorsqu'il n'est pas utilisé, avant de procéder à tout entretien, et lors du remplacement d'accessoires.
- Entretien l'appareil avec soins - Les rebords doivent être toujours bien affûtés et propres afin d'assurer un rendement optimal et de réduire les risques de blessures. Suivre les instructions de lubrification et de changement d'accessoires. Inspecteur régulièrement les cordons de l'outil, et le faire réparer dans un centre de service autorisé s'il est endommagé. Inspecter régulièrement les cordons prolongateurs et les remplacer s'ils sont endommagés. Garder l'outil sec, propre et exempt d'huile ou de graisse.
- Conserver ces instructions. Les consulter fréquemment et les utiliser pour instruire les autres utilisateurs éventuels. Si cet outil est prêté, il doit être accompagné de ces instructions.

SYMBOLES

Les termes de mise en garde suivants et leur signification ont pour but d'expliquer le degré de risques associé à l'utilisation de ce produit.

SYMBOLE	SIGNAL	SIGNIFICATION
	DANGER :	Indique une situation dangereuse qui, si elle n'est pas évitée, aura pour conséquences des blessures graves ou mortelles.
	AVERTISSEMENT :	Indique une situation dangereuse qui, si elle n'est pas évitée, pourrait entraîner des blessures graves ou mortelles.
	ATTENTION :	Indique une situation dangereuse qui, si elle n'est pas évitée, pourrait entraîner des blessures légères ou de gravité modérée.
	AVIS :	(Sans symbole d'alerte de sécurité) Indique les informations jugées importantes sans toutefois représenter un risque de blessure (ex. : messages concernant les dommages matériels).

Certains des symboles ci-dessous peuvent être utilisés sur produit. Veiller à les étudier et à apprendre leur signification. Une interprétation correcte de ces symboles permettra d'utiliser produit plus efficacement et de réduire les risques.

SYMBOLE	NOM	DÉSIGNATION / EXPLICATION
	Symbole d'alerte de sécurité	Indique un risque de blessure potentiel.
	Lire manuel d'utilisation	Pour réduire les risques de blessures, l'utilisateur doit lire et veiller à bien comprendre le manuel d'utilisation avant d'utiliser ce produit.
	Protection oculaire	Toujours porter une protection oculaire avec écrans latéraux certifiée conforme à la norme ANSI Z87.1.
	Avertissement concernant l'humidité	N'exposez pas la fiche à la pluie et n'utilisez pas dans des endroits humides.
	Ne laisser personne s'approcher	Garder les badauds à une distance de 15 m (50 pi) minimum.
	Dents tournantes	Danger — Garder les dents tournantes loin des mains et des pieds. Elles peuvent infliger des blessures.
V	Volts	Voltage
A	Ampères	Courant
Hz	Hertz	Fréquence (cycles par seconde)
W	Watt	Puissance
hrs	Heures	Temps
n_0	Vitesse à vide	Vitesse de rotation à vide
	Construction de classe II	Construction à double isolation
.../min	Par minute	Tours, coups, vitesse périphérique, orbites, etc., par minute

CARACTÉRISTIQUES ÉLECTRIQUES

DOUBLE ISOLATION

La double isolation est un dispositif de sécurité utilisé sur les outils à moteur électriques, éliminant le besoin de cordon d'alimentation habituel à trois fils avec terre. Toutes les pièces métalliques exposées sont isolées des composants internes du moteur par l'isolation protectrice. Les outils à double isolation ne nécessitent pas de mise à la terre.

AVERTISSEMENT :

Le système à double isolation est conçu pour protéger l'utilisateur contre les chocs électriques causés par une rupture de l'isolation interne de l'outil. Prendre toutes les précautions de sécurité normales pour éviter les chocs électriques.

NOTE : La réparation d'un outil à double isolation exigeant des précautions extrêmes ainsi que la connaissance du système, elle ne doit être confiée qu'à un réparateur qualifié. En ce qui concerne les réparations, nous recommandons de confier l'outil au centre de réparation le plus proche. Utiliser exclusivement des pièces d'origine pour les réparations.

CONNEXIONS ÉLECTRIQUES

Cet outil est équipé d'un moteur électrique de précision. Elle doit être branchée uniquement sur une **caractéristique nominale de l'alimentation électrique CA est de 120 V/ 60 Hz (circuit électrique domestique américain typique)**. Ne pas utiliser cet outil sur une source de courant continu (c.c.). Une chute de tension importante causerait une perte de puissance et une surchauffe du moteur. Si l'outil ne fonctionne pas une fois branché, vérifier l'alimentation électrique.

GFCI

Les circuits et prises sur lesquels cet outil est branché doivent être protégés par un disjoncteur différentiel (GFCI). Des prises à disjoncteur différentiel sont en vente dans le commerce et peuvent être utilisées à titre de sécurité.

CORDONS PROLONGATEURS

Lors de l'utilisation d'un outil électrique à grande distance d'une prise secteur, veiller à utiliser un cordon prolongateur d'une capacité suffisante pour supporter l'appel de courant de l'outil. Un cordon de capacité insuffisante causerait une baisse de la tension de ligne, entraînant une perte de puissance et une surchauffe. Se reporter au tableau ci-dessous pour déterminer le calibre minimum de fil requis pour un cordon donné. Utiliser exclusivement des cordons à gaine cylindrique homologués par Underwriter's Laboratories (UL). Pour le travail à l'extérieur, utiliser un cordon prolongateur spécialement conçu à cet effet. Ce type de cordon porte l'inscription « WA » or « W » sur sa gaine.

Avant d'utiliser un cordon prolongateur, vérifier que ses fils ne sont ni détachés ni exposés et que son isolation n'est ni coupée, ni usée.

**Intensité nominale (sur la plaquette signalétique de l'outil)

Longueur du cordon	Calibre de fil (A.W.G.)					
	0-2,0	2,1-3,4	3,5-5,0	5,1-7,0	7,1-12,0	12,1-16,0
25'	16	16	16	16	14	14
50'	16	16	16	14	14	12
100'	16	16	14	12	10	—

**Utilisé sur circuit de calibre 12 – 20 A

NOTE : AWG = American Wire Gauge

AVERTISSEMENT :

Maintenir le cordon prolongateur à l'écart de la zone de travail. Lors du travail avec un cordon électrique, placer le cordon de manière à ce qu'il ne risque pas de se prendre dans les pièces de bois, outils et autres obstacles. Ne pas prendre cette précaution peut entraîner des blessures graves.

AVERTISSEMENT :

Vérifier l'état des cordons prolongateurs avant chaque utilisation. Remplacer immédiatement tout cordon endommagé. Ne jamais utiliser un outil dont le cordon d'alimentation est endommagé, car tout contact avec la partie endommagée pourrait causer un choc électrique et des blessures graves.

CARACTÉRISTIQUES

FICHE TECHNIQUE

Alimentation.....	caractéristique nominal CA de 120V/60 Hz seulement, 8,5 A
Nombre de dents.....	2
Profondeur de labourage	203,2 (8 po)
Largeur de labourage	279,4 (11 po)

APPRENDRE À CONNAÎTRE LE CULTIVATEUR

Voir la figure 1.

La sécurité d'utilisation de ce produit exige la compréhension des informations apposées sur le produit et contenues dans ce manuel d'utilisation, ainsi que la connaissance du travail à exécuter. Avant d'utiliser ce produit, se familiariser avec toutes ses fonctions et règles de sécurité.

BOUTON DE VERROUILLAGE

Le bouton de verrouillage prévient les démarrages accidentels.

GÂCHETTE

La gâchette permet de démarrer et d'arrêter la rotation des dents.

ASSEMBLAGE

DÉBALLAGE

Ce produit doit être assemblé.

- Retirer soigneusement les articles du carton. S'assurer que toutes les pièces figurant sur la liste de contrôle sont incluses.

AVERTISSEMENT :

Ne pas utiliser le produit si, en le déballant, vous constatez que des éléments figurant dans la Liste de contrôle d'expédition sont déjà assemblés. Certaines pièces figurant sur cette liste n'ont pas été assemblées par le fabricant et exigent une installation. Le fait d'utiliser un produit qui a été assemblé de façon inadéquate peut entraîner des blessures.

- Examiner soigneusement l'outil pour s'assurer que rien n'a été brisé ou endommagé en cours de transport.
- Ne pas jeter les matériaux d'emballage avant d'avoir soigneusement examiné l'outil et avoir vérifié qu'il fonctionne correctement.
- Si des pièces sont manquantes ou endommagées, appeler le 1-800-860-4050.

LISTE DE CONTRÔLE D'EXPÉDITION

Cultivateur
Poignée supérieure
Poignée inférieure
Boulon (6)
Bouton (4)
Écrous (2)
Roues (2)
Rondelle (2)
Axe de blocages (2)
Capuchon d'extrémité (2)
Manuel d'utilisation

AVERTISSEMENT :

Si des pièces manquent ou sont endommagées, ne pas utiliser cet produit avant qu'elles aient été remplacées. Le fait d'utiliser ce produit même s'il contient des pièces endommagées ou s'il lui manque des pièces peut entraîner des blessures graves.

AVERTISSEMENT :

Ne pas essayer de modifier cet produit ou de créer des accessoires non recommandés pour le produit. De telles altérations ou modifications sont considérées comme un usage abusif et peuvent créer des conditions dangereuses, risquant d'entraîner des blessures graves.

AVERTISSEMENT :

Ne mettez pas sous tension avant de compléter l'assemblage. Le non respect de cet avertissement pourrait résulter en un démarrage accidentel et des blessures corporelles graves.

INSTALLATION DE L'ASSEMBLAGE DES POIGNÉES

Voir les figures 2 et 3.

- Placer la poignée inférieure sur la barre du cultivateur.
NOTE : La barre devrait s'emboîter dans les rainures de la poignée inférieure.
- Aligner les trous de la poignée inférieure sur ceux de la barre, puis sécuriser à l'aide des boulons et des boutons. Serrer fermement les boutons.

ASSEMBLAGE

- Placer la poignée supérieure sur la poignée inférieure.
NOTE : La poignée inférieure devrait s'emboîter dans les rainures de la poignée supérieure.
- Aligner les trous de la poignée inférieure sur ceux de la poignée supérieure, puis sécuriser à l'aide des boulons et des boutons. Serrer fermement les boutons.

S ROUES

Voir la figure 4.

Les roues sont fournies pour aider à déplacer l'appareil depuis et vers le site de travail. **Pour installer :**

- Enlever la rondelle et fixer la tige depuis le côté gauche de l'axe.
- Enlever le capuchon d'extrémité de la roue.
- Placer la roue sur l'axe.
- Glisser une rondelle sur l'axe jusqu'à ce qu'elle touche la roue.
- Insérer une goupille d'attelage pour fixer solidement en place.
NOTE : La goupille d'attelage doit être poussée dans l'essieu jusqu'à ce que le centre de la goupille repose sur le dessus de l'essieu.
- Pousser le capuchon d'extrémité vers le centre de la roue jusqu'à ce qu'il s'emboîte.
- Répéter la procédure pour l'autre roue.

PLIAGE ET DÉPLIAGE DE L'ASSEMBLAGE DES POIGNÉES

Voir les figures 5 et 6.

- Loosen the knobs on the upper handle.
- Fold the upper handle down and back onto the lower handle.
NOTE : Ne pas forcer l'outil. En cas de blocage, continuer de desserrer les boutons. Veiller à ne pas pincer le câble de commutateur lors du levage du poignée.
- Desserrer les boutons de la poignée inférieure.
- Pousser les poignées inférieure et supérieure en avant et vers le bas, sur le cultivateur.

Pour déplier l'assemblage des poignées :

- Tirer la poignée inférieure vers le haut et l'arrière, jusqu'à ce qu'elle soit alignée sur la barre du cultivateur.
NOTE : La barre devrait s'emboîter dans les rainures de la poignée inférieure.
- Serrer les boutons de la poignée inférieure pour la sécuriser en place.

- Tirer la poignée supérieure vers le haut et l'avant, jusqu'à ce qu'elle soit alignée sur la poignée inférieure.
NOTE : La poignée inférieure devrait s'emboîter dans les rainures de la poignée supérieure.
- Serrer les boutons de la poignée supérieure pour la sécuriser en place.

AVERTISSEMENT :

S'assurer que les boutons est bien serré avant d'utiliser l'outil, et le vérifier de temps à autre pour éviter le risque de blessures graves.

CHANGEMENT DE POSITION DES ROUES

Voir les figures 7 à 9.

La position des roues de l'appareil peut être ajustée. Régler la position des roues en plaçant les languettes de l'assemblage des roues dans d'autres groupes d'encoches du support.

ATTENTION:

L'assemblage des roues est à ressorts. Faire de preuve de prudence lors du réglage de la position des roues, afin d'éviter de se pincer les doigts et les mains.

- À partir de l'arrière du cultivateur, tirer l'assemblage des roues hors du support.
NOTE : L'assemblage des roues à ressorts claquera en avant s'il est relâché.
- Approcher lentement l'assemblage des roues vers le support et positionner les languettes de l'assemblage dans un groupe d'encoches du support.
 - Placer l'assemblage des roues dans le groupe d'encoches le plus bas (position A) pour transporter le cultivateur ou pour un labourage peu profond.
 - Placer l'assemblage des roues dans le groupe d'encoches du milieu (position B) pour un labourage général avec une pénétration de surface modérée.
 - Placer l'assemblage des roues dans le groupe d'encoches le plus haut (position C) pour que les lames des dents pénètrent profondément la surface à labourer.

UTILISATION

AVERTISSEMENT :

Ne laissez pas la familiarité tirée d'une utilisation fréquente de ce type de produit atténuer votre vigilance. Souvenez-vous qu'une fraction de seconde d'inattention suffit à infliger des blessures graves.

AVERTISSEMENT :

Toujours porter une protection oculaire munie d'écrans latéraux certifiée conforme à la norme ANSI Z87.1. Si cette précaution n'est pas prise, des objets peuvent être projetés dans les yeux et causer des lésions graves.

AVERTISSEMENT :

N'utilisez aucun ajout ni accessoire non-recommandé par le fabricant de ce produit. L'utilisation des ajouts ou des accessoires non recommandés pourrait résulter en des blessures corporelles graves.

AVIS :

Avant chaque utilisation, inspecter au complet le produit afin de s'assurer qu'aucune pièce (vis, écrous, boulons, chapeaux, etc.) n'est endommagée, manquante ou desserrée. Serrer solidement toutes les pièces de fixation et les chapeaux et ne pas utiliser le produit tant que toutes les pièces manquantes ou endommagées n'ont pas été remplacées. Pour obtenir de l'aide, veuillez communiquer avec le service à la clientèle ou un centre de réparations autorisé.

APPLICATIONS

Cet produit peut être utilisé pour les applications ci-dessous :

- Travailler la terre à jardin pour préparer la couche de semis
- Grattage pour retirer les mauvaises herbes

BRANCHEMENT SUR UNE PRISE SECTEUR

Voir la figure 10.

Ce produit est conçu avec un arrimage de cordon prolongateur qui empêche le retenue de cordon d'être délogé de l'outil lors de son utilisation.

- Former une boucle à l'extrémité du retenue de cordon.
- Insérer la boucle du cordon dans l'ouverture au bas de la retenue de cordon, puis placer sur le crochet.
- Tirer lentement la boucle contre l'arrimage du cordon pour le tendre.
- Brancher la produit à le cordon

NOTE: Ne pas tendre le cordon prolongateur sur son arrimage peut permettre au cordon de se débrancher de la prise.

AVERTISSEMENT :

Toujours débrancher le cultivateur de la source d'alimentation au moment d'assembler des pièces, d'effectuer des réglages et de procéder au nettoyage, ou lorsque l'outil n'est pas utilisé. Cela permet d'empêcher un démarrage accidentel pouvant entraîner des blessures graves.

MISE EN MARCHÉ / ARRÊT DU CULTIVATEUR

Voir la figure 10.

Pour faire démarrer le moteur :

- Brancher le cultivateur sur une prise secteur.

AVIS :

Fixez toujours le cordon prolongateur à l'appareil au moyen de la retenue de cordon. Ne pas utiliser la retenue de cordon peut endommager l'appareil ou le cordon prolongateur.

- Placer le pouce sur le bouton de verrouillage.
- Tirer la gâchette vers le poignée.
- Relâcher le bouton de verrouillage.

Arrêter le moteur :

- Relâcher la gâchette.

PRÉPARATION DE LIT DE SEMENCE

Voir la figure 11.

AVERTISSEMENT :

Ne pas approcher les mains, les pieds ou toute autre partie du corps ou bien des vêtements près des dents en rotation ou de toute autre pièce en mouvement. Les dents commencent à tourner dès que le bouton de verrouillage est enfoncé et que la gâchette est relâchée. Les dents continuent à tourner jusqu'à ce que la gâchette est relâchée. Ne pas éviter un contact peut causer des blessures graves.

AVERTISSEMENT :

Pour éviter les blessures corporelles, ne jamais transporter le cultivateur avec le moteur en marche. Mettre le cultivateur dans la zone de travail avant de démarrer le moteur.

AVERTISSEMENT :

Dans le cas d'une utilisation prolongée, la boîte de transmission du cultivateur peut devenir très chaude. Pour éviter les brûlures, ne pas la toucher avant de l'avoir laissée refroidir.

UTILISATION



AVERTISSEMENT :

Toujours tenir le cultivateur en l'éloignant du corps et en gardant un dégagement approprié entre le corps et le cultivateur. Tout contact avec les dents lors de l'utilisation peut provoquer des blessures graves.

Le cultivateur peut servir à briser la terre et à préparer un lit de semence. Prévoir de laisser assez de place entre les rangées de semence pour pouvoir utiliser le cultivateur une fois les plantes poussées.

- Avec l'assemblage des dents installé en position A comme il est décrit plus tôt, rouler l'appareil vers le site de travail.
- Ajuster la position de l'assemblage des roues pour un labourage peu profond, modéré ou profond (voir la section **Changement de position des roues**).
NOTE : La position appropriée de l'assemblage des roues peut varier selon le type de sol à cultiver et les conditions du sol au moment donné.
- Brancher l'outil sur un cordon prolongateur spécialement conçu pour les travaux à l'extérieur.
- Acheminer le cordon prolongateur au travers des bagues de retenue du cordon prolongateur.

- Se tenir derrière l'outil avec les roues de sarclage sur le sol et la zone de travail propre et dépourvue d'obstructions.
- Appuyer sur le bouton de verrouillage.
- Tirer la gâchette vers le poignée pour commencer la rotation des dents.

NOTE : Les dents en rotation font avancer l'outil, il faut donc utiliser des vitesses plus lentes et un réglage de profondeur plus faible pendant l'apprentissage de l'utilisation de l'outil et lors du sarclage sur des terrains difficiles ou irréguliers.

NOTE : Il peut être nécessaire de passer plusieurs fois sur le même chemin pour atteindre la profondeur désirée. Ne pas essayer de creuser trop en profondeur au premier passage. Si l'équipement saute ou rebondit, le faire avancer un peu plus vite ou ajuster la position de l'assemblage des roues.

Pour creuser plus profondément, incliner les poignées vers le haut (en abaissant les dents). Appuyer sur les poignées pour un labourage peu profond (en soulevant les dents).

Si l'outil reste en position et creuse sur place, essayer de le faire basculer d'un côté sur l'autre pour le faire avancer de nouveau.

Si la terre est très dure, arroser quelques jours avant de sarcler.

Éviter de travailler la terre lorsqu'elle est mouillée ou détrempée. Attendre un jour ou deux après de fortes pluies pour laisser la terre sécher.

ENTRETIEN

AVERTISSEMENT :

Avant d'inspecter, nettoyer ou entretenir l'équipement, couper le moteur, attendre que toutes les pièces en mouvement s'arrêtent, déconnecter le fil de la bougie et l'écarter de la bougie. Le non-respect de ces instructions peut entraîner des blessures graves ou des dégâts matériels.

AVERTISSEMENT :

Toujours porter une protection oculaire avec écrans latéraux certifiée conforme à la norme ANSI Z87.1. Si cette précaution n'est pas prise, des objets peuvent être projetés dans les yeux et causer des lésions graves.

AVERTISSEMENT :

Utiliser exclusivement des pièces recommandées ou équivalentes à celles d'origine pour les réparations. L'usage de toute autre pièce pourrait créer une situation dangereuse ou endommager l'outil.

AVIS :

Inspecter périodiquement au complet le produit afin de s'assurer qu'aucune pièce (vis, écrous, boulons, chapeaux, etc.) n'est endommagée, manquante ou desserrée. Serrer solidement toutes les pièces de fixation et les chapeaux et ne pas utiliser le produit tant que toutes les pièces manquantes ou endommagées n'ont pas été remplacées. Pour obtenir de l'aide, veuillez communiquer avec le service à la clientèle ou un centre de réparations autorisé.

ENTRETIEN GÉNÉRAL

Éviter d'utiliser des solvants pour le nettoyage des pièces en plastique. La plupart des matières plastiques peuvent être endommagées par divers types de solvants du commerce. Utiliser un chiffon propre pour éliminer la saleté, la poussière, l'huile, la graisse, etc.

AVERTISSEMENT :

Ne jamais laisser de liquides tels que le fluide de freins, l'essence, les produits à base de pétrole, les huiles pénétrantes, etc., entrer en contact avec les pièces en plastique. Les produits chimiques peuvent endommager, affaiblir ou détruire le plastique, ce qui peut entraîner des blessures graves.

LUBRIFICATION

Tous les roulements de cet outil sont lubrifiés à l'aide d'une quantité suffisante de lubrifiant de haute qualité pour toute la durée de l'outil dans des conditions normales d'utilisation. Alors, aucune lubrification ultérieure n'est nécessaire.

REMISAGE DU CULTIVATEUR

- Nettoyer la saleté, l'herbe et autres matériaux de l'ensemble de l'outil.
- Essuyer les dents avec de l'huile ou les arroser de lubrifiant au silicone pour empêcher la rouille.
- Huiler le câble de gâchette de commutateur et toutes les pièces mobiles visibles. Ne pas retirer le couvercle du moteur.
- Commander de nouvelles pièces pour remplacer celles qui sont très usées ou cassées.
- Remiser l'outil en position verticale dans un endroit propre et sec. Le stocker avec les poignées en position étendue, ou desserrer les boutons de poignée et plier les poignées. Faire attention de ne pas pincer le câble de gâchette en abaissant le poignée.

DÉPANNAGE

SI LES PRÉSENTES SOLUTIONS NE RÉSOLVENT PAS LE PROBLÈME, CONTACTER LE CENTRE DE RÉPARATIONS AGRÉÉ.

PROBLÈME	CAUSE POSSIBLE	SOLUTION
Le moteur ne démarre pas lorsque la gâchette est appuyée.	Le cordon d'alimentation n'est pas branché ou la connexion est desserrée. Disjoncteur du domicile déclenché.	Brancher le cordon d'alimentation. Vérifier le disjoncteur.
Le moteur tourne, mais les dents de tournent pas.	Défaillance du train d'engrenages.	Amener l'outil à un centre de réparations autorisé.



TIREZ LE MEILLEUR PARTI DE VOTRE ACHAT!

Visitez le site <http://register.ryobitools.com> pour enregistrer votre nouvel outil en ligne.

Ce produit a été entièrement testé avant expédition pour assurer la complète satisfaction de l'utilisateur.

Pour toute question concernant l'utilisation ou l'entretien du produit, appeler le service d'assistance téléphonique RYOBI!

Ce produit est accompagné d'une garantie limitée de cinq (5) ans pour utilisation personnel, familiales ou domestiques (90 jours pour utilisation affaires ou commerciaux). Pour obtenir les détails de la garantie, visiter le site www.ryobitools.com ou appeler (sans frais) au 1-800-860-4050.

INSTRUCCIONES DE SEGURIDAD IMPORTANTES



ADVERTENCIA:

LEA Y COMPRENDA TODAS LAS INSTRUCCIONES. El incumplimiento de las instrucciones señaladas abajo y en la máquina puede causar descargas eléctricas, incendios y/o lesiones serias.

- Familiarícese con su cultivadora. Lea cuidadosamente el manual del operador. Aprenda sus usos y limitaciones, así como los posibles peligros específicos de esta cultivadora. Sepa cómo detener la unidad y desacoplar los controles rápidamente. Con el cumplimiento de esta regla se reduce el riesgo de una descarga eléctrica, incendio o lesión seria.
- No permita que los niños usen la cultivadora. No es un juguete. No permita que adultos no familiarizados con la máquina la utilicen.
- El trabajo con la cultivadora de empuje con motor es extenuante. Debe estar en buen estado físico y mentalmente alerta. Si tiene alguna afección que pueda agravarse por un trabajo extenuante, consulte a su médico antes de operar una cultivadora de empuje con motor.
- Sólo utilice accesorios recomendados por el fabricante para cada modelo en particular se describe en este manual. Accesorios que pueden ser adecuados para una cultivadora pueden significar un riesgo de lesiones si se emplean con otra cultivadora. Sólo utilice el producto de la forma descrita en este manual.
- No coloque ningún objeto en las aberturas. No la utilice con ninguna abertura bloqueada; manténgalas libres de polvo, pelusa, pelo y cualquier cosa que pueda reducir el flujo de aire.
- Mantenga el cabello, la ropa holgada, los dedos y todas las partes del cuerpo alejados de las aberturas y piezas móviles de la unidad.
- Evite los entornos peligrosos: no utilice el artefacto en ubicaciones mojadas o húmedas.
- No utilice este producto si no hay luz suficiente.
- Para reducir el riesgo de una descarga eléctrica, este producto dispone de una clavija polarizada (una patilla es más ancha que la otra) y requiere un cordón de extensión polarizado. La clavija entra sólo de una forma en el enchufe de un cordón de extensión polarizado. Si la clavija no entra completamente en el enchufe del cordón de extensión, invierta la posición de la misma. Si aún así no entra la clavija, obtenga un cordón de extensión polarizado correcto. Un cordón de extensión polarizado requiere el uso de una toma de pared polarizada. Esta clavija entra sólo de una forma en la toma de pared polarizada. Si la clavija no entra completamente en la toma de pared, invierta la posición de la clavija. Si aún así no entra la clavija, contrate a un electricista calificado para encargarle la instalación de una toma de pared adecuada. No cambie de ninguna manera la clavija del equipo, ni el receptáculo o la clavija del cordón de extensión.
- Evite el contacto del cuerpo con superficies puestas a tierra, como tubos, radiadores, estufas y refrigeradores. La puesta a tierra de su cuerpo genera un mayor riesgo de descarga eléctrica.
- Asegúrese de que esté en buen estado el cordón de extensión. Al utilizar un cordón de extensión, utilice uno del suficiente calibre para soportar la corriente que consume el producto. Se recomienda que los conductores sean de calibre **14** (A.W.G.) por lo menos, para un cordón de extensión de 15 m (50 pies) de largo o menos. Si tiene dudas, utilice un cordón del calibre más grueso siguiente. Cuanto menor es el número de calibre, mayor es el grueso del cordón. Un cordón de un calibre insuficiente causa una caída en el voltaje de línea, y produce recalentamiento y pérdida de potencia.
- **ADVERTENCIA:** Use cordones de extensión para exteriores que lleven las marcas SW-A, SOW-A, STW-A, STOW-A, SJW-A, SJTW-A o SJTOW-A. Estos cordones están aprobados para el uso en el exterior y reducen el riesgo de descargas eléctricas.
- Los circuitos o las tomas donde se conecta este producto deben estar protegidos con un interruptor de circuito accionado por falla de conexión a tierra (GFCI). Hay receptáculos con la protección de un GFCI integrado, y pueden utilizarse para contar con esta característica de seguridad.
- El producto cuenta con un retén para el cordón de extensión, el cual evita que se afloje el cordón en el enchufe de la unidad si aquél experimenta un tirón.
- Si el cable se daña de alguna manera mientras está enchufado, tire del cable de extensión del receptáculo de la pared. Reemplace los cables dañados de inmediato. Los cables dañados aumentan el riesgo de descarga eléctrica.
- No haga mal uso del cordón — Nunca porte la cultivadora sujetándola por el cordón eléctrico, ni tire del mismo para desconectarla de la toma de corriente. Mantenga el cordón eléctrico alejado del calor, del aceite y de los bordes afilados.
- Mantenga las manos lejos de piezas en movimiento.
- Nunca levante ni transporte la cultivadora mientras las púas estén girando o el motor esté en funcionamiento. No sujete las cuchillas de corte ni los bordes cortantes expuestos al levantar o sostener el aparato.
- Evite los arranques accidentales – Evite un arranque accidental de la unidad. Asegúrese de que el gatillo del interruptor no esté oprimido antes de conectar la herramienta.
- No utilice la herramienta si el interruptor no enciende o no apaga. Una herramienta que no pueda controlarse con el interruptor es peligrosa y debe repararse.
- No utilice cultivadora en entornos explosivos, como los existentes alrededor de líquidos, gases y polvos inflamables. La cultivadora eléctricas generan chispas que pueden encender el polvo y los vapores inflamables.
- Mantenga alejados a transeúntes, niños y demás presentes por lo menos a 30,5 metros (100 pies) de distancia al utilizar una cultivadora. Toda distracción puede causar la pérdida del control de la pala de nieve.
- Arranque la cultivadora con cuidado y de acuerdo con las instrucciones desde una posición de funcionamiento normal y con los pies alejados de las púas.
- Si el aparato de mano no está funcionando adecuadamente, se dejó caer, se dañó, se dejó a la intemperie, o se dejó caer dentro del agua, regrésela al centro de servicio autorizado.

INSTRUCCIONES DE SEGURIDAD IMPORTANTES




- Permanezca alerta, preste atención a lo que esté haciendo y aplique su sentido común al utilizar la cultivadora. No utilice la cultivadora si está cansado, trastornado, enfermo, o se encuentra bajo los efectos de alguna droga, alcohol o medicamento. Un momento de inatención al utilizar la cultivadora puede causar lesiones corporales de gravedad.
- Póngase equipo de seguridad. Siempre póngase protección ocular. Cuando lo exijan las circunstancias, debe ponerse careta contra el polvo, zapatos de seguridad antiderrapantes, casco y protección auditiva.
- Vístase adecuadamente — No vista ropas holgadas, pañuelos ni joyas. Pueden quedar atrapadas en las piezas móviles.
- Se recomienda el uso de guantes de goma y un calzado resistente cuando se trabaja a la intemperie.
- Recójase el cabello si lo tiene largo, de manera que le quede arriba de los hombros para evitar que se enrede en las piezas en movimiento.
- Revise si las piezas móviles están desalineadas o atoradas, si hay piezas rotas o toda otra condición que pudiese afectar el funcionamiento de la cultivadora. Si se daña la cultivadora, llévela a servicio antes de volver a utilizarla. Numerosos accidentes son causados por cultivadora mal cuidadas.
- Mantenga la cultivadora y su mango secos, limpios y sin aceite ni grasa. Siempre utilice un paño limpio para la limpieza de la unidad. Nunca utilice fluidos para frenos, gasolina, productos a base de petróleo ni solventes fuertes para limpiar la cultivadora. Con el cumplimiento de esta regla se reduce el riesgo de una pérdida de control y el deterioro de la carcasa de plástico de la unidad.
- Siempre use gafas de seguridad con protección lateral. Los anteojos comunes sólo tienen lentes resistentes a los impactos. NO son anteojos de seguridad. Con el cumplimiento de esta regla se reduce el riesgo de posibles lesiones oculares.
- Siempre póngase protección ocular con la marca de cumplimiento de la norma ANSI Z87.1 junto con protección auditiva. Con el cumplimiento de esta regla se reduce el riesgo de lesiones corporales serias.
- Protéjase los pulmones. Use una careta o mascarilla contra el polvo si la operación genera mucho polvo. Con el cumplimiento de esta regla se reduce el riesgo de lesiones corporales serias.
- No esponga las cultivadoras a la lluvia. La introducción de agua en una cultivadora eléctrica aumenta el riesgo de descargas eléctricas.
- Nunca rocíe agua directamente en el compartimiento del motor de la cultivadora.
- Póngase pantalones, botas y guantes gruesos. Evite ropas holgadas o joyas que pudieran resultar atrapadas en piezas móviles de la máquina o del motor.
- Utilice botas de goma cuando haga funcionar la cultivadora. Calzado de seguridad protegerá sus pies y mejore su postura en superficies resbaladizas. No camine descalzo o use sandales.
- Mantenga los pies bien afirmados y el equilibrio. No trate de alcanzar demasiado lejos. Se puede perder el equilibrio al tratar de alcanzar demasiado lejos.
- Guarde en el interior las cultivadoras que no esté usando — Mientras no se esté utilizando, la cultivadora debe almacenarse en el interior, en un sitio seco y bajo llave, desenchufado y lejos del alcance de los niños.
- No cuelgue la unidad de una manera que el gatillo interruptor quede presionado.
- El servicio del instrumento debe ser realizado sólo por personal calificado de reparación. Atienda a o la conservación realizada por el personal sin título puede tener como resultado un riesgo de la herida.
- Al atender a un instrumento, el uso el reemplazo sólo idéntico despide. Reemplace o repare las piezas dañadas. Siga las instrucciones en la sección de la *Mantenimiento* de este manual. El uso de partes o fracaso no autorizados seguir la *Mantenimiento* las instrucciones pueden crear un riesgo del golpe o la herida.
- Revise el área de trabajo cada vez antes de usar la unidad. Retire todos los objetos como piedras, vidrio roto, clavos, alambre o cuerda que puedan salir disparados o enredarse en la máquina.
- Para uso doméstico únicamente.
- Utilice el aparato adecuado para la tarea — No utilice la cultivadora para ninguna función diferente de las especificadas.
- No fuerce la cultivadora — Efectúa el trabajo mejor y de manera más segura, si se utiliza a la velocidad para la que está diseñada.
- No utilice la unidad cerca de cables eléctricos o telefónicos, o tubería subterráneos, ni de mangueras. Si tiene dudas, comuníquese con la compañía de servicios públicos o de teléfonos para localizar las líneas de servicio subterráneas.
- Las púas giratorias pueden causar lesiones graves; no acerque sus manos, pies ni ninguna otra parte del cuerpo o la ropa a las púas giratorias ni a ninguna otra parte móvil. Las púas comienzan a girar una vez que se presiona el botón del seguro y se tira del gatillo interruptor. Las púas continúan girando hasta que se suelte el gatillo interruptor.
- Mantenga un agarre firme en ambos mangos mientras siembra. Tenga suma precaución al retroceder o halar la máquina en dirección a usted. Nunca accione el equipo en una pendiente.
- Si la cultivadora comienza a vibrar anormalmente o hace mucho ruido, detenga el motor e inspeccione inmediatamente el accesorio para cultivadora y determinar la causa. El ruido anormal es generalmente una advertencia de problemas.
- Mantenga apretados todos los pernos para asegurarse que el accesorio para cultivadora esté en condiciones seguras de funcionamiento.
- Antes de cada uso, verifique que los pasadores de fijación estén completamente introducidos en el eje de cada aspa.
- Tenga mucho cuidado cuando cruce superficies de grava. Manténgase alerta ante peligros ocultos o el tránsito.
- Tenga sumo cuidado al cultivadora en tierra dura. El equipo puede rebotar hacia arriba o saltar hacia adelante de forma inesperada si las púas golpean obstáculos enterrados, como piedras grandes, raíces o tocones.
- No sobrepase la capacidad de la máquina al intentar cultivadora con mucha profundidad o una velocidad muy rápida.

INSTRUCCIONES DE SEGURIDAD IMPORTANTES








- Si la cultivadora golpea un objeto extraño, siga estos pasos:
 - Suelte el gatillo del interruptor y espere hasta que la unidad se detenga por completo.
 - Desconecte la cultivadora de la fuente de alimentación.
 - Inspeccione minuciosamente la cultivadora para ver si tiene daños.
 - Repare todo daño antes de volver a arrancar la cultivadora y continuar utilizándola.
- No levante ni sostenga el equipo quitanieve por encima del suelo cuando lo haga funcionar, ya que esto puede provocar la pérdida del control y posibles lesiones personales graves. Utilice el equipo quitanieve únicamente conforme a las instrucciones especiales para su uso que se proporcionan en el manual del operador.
- Mantenga las protecciones en su lugar y en buenas condiciones. Nunca haga funcionar la máquina sin los protectores, placas u otros dispositivos protectores de seguridad adecuados en su lugar.
- Revise las piezas dañadas: antes de seguir utilizando el artefacto, es necesario inspeccionar cuidadosamente si hay algún protector o alguna pieza dañados y determinar si funcionará correctamente y realizará la función correspondiente. Verifique la alineación de las partes móviles, que no haya atoramiento de partes móviles, que no haya piezas rotas, el montaje de las piezas y cualquier otra condición que pudiera afectar su funcionamiento. Cualquier protección o pieza que esté dañada debe ser reparada apropiadamente o reemplazada en un centro de servicio autorizado, a menos que se indique otra cosa en este manual.
- Desconecte la clavija del suministro de corriente cuando no está usándose, antes de iniciar una tarea de mantenimiento, y cuando esté cambiando los accesorios.
- Mantenga el aparato con cuidado - Mantenga afilado el filo de corte y límpielo para lograr un desempeño óptimo de la unidad y para reducir el riesgo de lesiones. Siga las instrucciones para la lubricación y el cambio de accesorios. Inspeccione el cable del aparato y, si está dañada, haga que la reparen en un establecimiento de servicio autorizado. Inspeccione los cables de extensión periódicamente y reemplácelos si están dañados. Mantenga los mangos secos, limpios y sin aceite ni grasa.
- Guarde estas instrucciones. Consúltelas con frecuencia y empléelas para instruir a otras personas que puedan utilizar esta herramienta. Si presta a alguien esta herramienta, facilítele también las instrucciones con el fin de evitar un uso indebido del producto y posibles lesiones.

SÍMBOLOS

Las siguientes palabras de señalización y sus significados tienen el objeto de explicar los niveles de riesgo relacionados con este producto.

SÍMBOLO	SEÑAL	SIGNIFICADO
	PELIGRO:	Indica una situación peligrosa, la cual, si no se evita, causará la muerte o lesiones serias.
	ADVERTENCIA:	Indica una situación peligrosa, la cual, si no se evita, podría causar la muerte o lesiones serias.
	PRECAUCIÓN:	Indica una situación peligrosa la cual, si no se evita, puede causar lesiones leves o moderadas.
	AVISO:	(Sin el símbolo de alerta de seguridad) Indica la información que se considera importante, pero no relacionada con lesiones potenciales (por ej. en relación a daños a la propiedad).

Es posible que se empleen en este producto algunos de los siguientes símbolos. Le suplicamos estudiarlos y aprender su significado. Una correcta interpretación de estos símbolos le permitirá utilizar mejor y de manera más segura el producto.

SÍMBOLO	NOMBRE	DENOMINACIÓN/EXPLICACIÓN
	Alerta de seguridad	Indica un peligro posible de lesiones personales.
	Lea manual del operador	Para reducir el riesgo de lesiones, el usuario debe leer y comprender el manual del operador antes de usar este producto.
	Protección ocular	Siempre póngase protección ocular con protección lateral con la marca de cumplimiento de la norma ANSI Z87.1.
	Alerta de condiciones húmedas	No exponga la clavija a la lluvia ni la use en lugares húmedos.
	Mantenga alejadas a las personas presentes	Mantenga a los circunstantes a una distancia mínima de 15 m (50 pies).
	Púas giratorias	Peligro — Mantenga las manos y los pies alejados de las púas giratorias. Las púas giratorias causarán lesiones.
V	Volts	Voltaje
A	Amperes	Corriente
Hz	Hertz	Frecuencia (ciclos por segundo)
W	Watt	Potencia
hrs	Horas	Tiempo
n_0	Velocidad en vacío	Velocidad de rotación, en vacío
	Fabricación Clase II	Fabricación con doble aislamiento
.../min	Por minuto	Revoluciones, carreras, velocidad superficial, órbitas, etc., por minuto

ASPECTOS ELÉCTRICOS

DOBLE AISLAMIENTO

El doble aislamiento es una característica de seguridad de las herramientas eléctricas, la cual elimina la necesidad de usar el típico cordón eléctrico de tres conductores con conexión a tierra. Todas las partes metálicas expuestas están aisladas de los componentes metálicos internos del motor por medio de aislamiento de protección. No es necesario conectar a tierra las herramientas con doble aislamiento.

ADVERTENCIA:

El sistema de doble aislamiento está destinado a proteger al usuario contra las descargas eléctricas resultantes de la ruptura del aislamiento interno de la herramienta. Observe todas las precauciones de seguridad para evitar descargas eléctricas.

NOTA: El mantenimiento de una herramienta con doble aislamiento requiere sumo cuidado y conocimiento del sistema, y únicamente deben realizarlo técnicos de servicio calificados. Para el servicio de la herramienta, le sugerimos llevarla al centro de servicio autorizado más cercano para toda reparación. Siempre utilice piezas de repuesto de la fábrica original al dar servicio a la unidad.

CONEXIÓN ELÉCTRICA

Esta herramienta dispone de un motor eléctrico fabricado con precisión. Debe conectarse únicamente a un **suministro de voltaje que tenga capacidad de 120 V/60 Hz CA (típico circuito hogareño de EE. UU.)**. No utilice esta herramienta con corriente continua (c.c.). Una caída considerable de voltaje causa una pérdida de potencia y el recalentamiento del motor. Si la herramienta no funciona al conectarla en una toma de corriente, vuelva a verificar el suministro de voltaje.

GFCI

Los circuitos o las tomas de corriente donde se conecta este producto deben estar protegidos con un interruptor de circuito para falla de conexión a tierra (GFCI). Hay receptáculos con la protección de un GFCI integrado, y pueden utilizarse para contar con esta característica de seguridad.

CORDONES DE EXTENSIÓN

Al utilizar una herramienta eléctrica a una distancia considerable de la fuente de voltaje, asegúrese de utilizar un cordón de extensión con la suficiente capacidad para soportar la corriente de consumo de la herramienta. Un cordón de un calibre insuficiente causa una caída en el voltaje de línea, la cual a su vez produce recalentamiento y pérdida de potencia. Báse en la tabla suministrada para determinar el grueso mínimo requerido del cordón de extensión. Solamente deben utilizarse cordones con forro redondo registrados en Underwriter's Laboratories (UL).

Al trabajar a la intemperie con una herramienta, utilice un cordón de extensión fabricado para uso en el exterior. Este tipo de cordón lleva las letras "WA" o "W" en el forro.

Antes de utilizar un cordón de extensión, inspecciónelo para ver si tiene conductores flojos o expuestos y aislamiento cortado o gastado.

**Amperaje (aparece en la placa de datos de la herramienta)

0-2,0 2,1-3,4 3,5-5,0 5,1-7,0 7,1-12,0 12,1-16,0

Longitud del cordón	Calibre conductores (A.W.G.)					
	16	16	16	14	14	12
25'	16	16	16	16	14	14
50'	16	16	16	14	14	12
100'	16	16	14	12	10	—

**Se usa en los circuitos de calibre 12, de 20 amperes.

NOTA: AWG = American Wire Gauge

ADVERTENCIA:

Mantenga el cordón de extensión fuera del área de trabajo. Al trabajar con una herramienta eléctrica, coloque el cordón de tal manera que no pueda enredarse en la madera, herramientas ni en otras obstrucciones. La inobservancia de esta advertencia puede causar lesiones serias.

ADVERTENCIA:

Inspeccione los cordones de extensión cada vez antes de usarlos. Si están dañados reemplácelos de inmediato. Nunca utilice la herramienta con un cordón dañado, ya que si toca la parte dañada puede producirse una descarga eléctrica, y las consecuentes lesiones serias.

CARACTERÍSTICAS

ESPECIFICACIONES DEL PRODUCTO

Corriente de entrada	capacidad de 120 V/60 Hz CA únicamente, 8,5 A
Cantidad de púas	2
Profundidad de cultivo	203,2 (8 pulg.)
Ancho de cultivo.....	279,4 (11 pulg.)

FAMILIARÍCESE CON LA CULTIVADORA

Vea la figura 1.

Para usar este producto con la debida seguridad se debe comprender la información indicada en la producto misma y en este manual, y se debe comprender también el trabajo que intenta realizar. Antes de usar este producto, familiarícese con todas las características de funcionamiento y normas de seguridad del mismo.

BOTÓN DE SEGURO

El botón de seguro evita arrancar accidentalmente la cultivadora.

GATILLO DEL INTERRUPTOR

El gatillo del interruptor sirve para iniciar y detener el giro de las púas.

ARMADO

DESEMPAQUETADO

Este producto debe armarse.

- Extraiga cuidadosamente de la caja la herramienta y los accesorios. Asegúrese de que estén presentes todos los artículos enumerados en la lista de empaquetado.

Roudas (2)
Arandelas (2)
Pasador del enganch (2)
Tapa extremo (2)
Manual del operador

ADVERTENCIA:

No utilice este producto si alguna pieza incluida en la lista de contenido ya está ensamblada al producto cuando lo desempaqueta. El fabricante no ensambla las piezas de esta lista en el producto. Éstas deben ser instaladas por el usuario. El uso de un producto que puede haber sido ensamblado de forma inadecuada podría causar lesiones personales graves.

ADVERTENCIA:

Si hay piezas dañadas o faltantes, no utilice esta producto sin haber reemplazado todas las piezas. Usar este producto con partes dañadas o faltantes puede causar lesiones serias al operador.

- Inspeccione cuidadosamente la herramienta para asegurarse de que no haya sufrido ninguna rotura o daño durante el transporte.
- No deseché el material de empaquetado sin haber inspeccionado cuidadosamente la herramienta y haberla utilizado satisfactoriamente.
- Si hay piezas dañadas o faltantes, le suplicamos llamar al 1-800-860-4050, donde le brindaremos asistencia.

ADVERTENCIA:

No intente modificar este producto ni hacer accesorios no recomendados para el mismo. Cualquier alteración o modificación constituye maltrato y puede causar una condición peligrosa, y como consecuencia posibles lesiones serias.

LISTA DE EMPAQUETADO

Cultivadora
Mango superior
Mango inferior
Pernos (6)
Perillas (4)
Tuercas (2)

ADVERTENCIA:

No conecte la unidad al suministro de corriente sin haber terminado de armarla. De lo contrario la unidad puede ponerse en marcha accidentalmente, con el consiguiente riesgo de lesiones serias.

INSTALACIÓN DEL CONJUNTO DEL MANGO

Vea las figuras 2 y 3.

- Coloque el mango inferior sobre la barra de la cultivadora.
NOTA: La barra debe calzar dentro de las ranuras en el mango inferior.

ARMADO

- Alinee los orificios en el mango inferior con los orificios de la barra, y fíjelos con pernos y perillas. Apriete las perillas firmemente.
- Coloque el mango superior en el mango inferior.
NOTA: El mango inferior debe caber dentro de las ranuras del mango superior.
- Alinee los orificios del mango inferior con los del mango superior, y fije con pernos y perillas. Apriete las perillas firmemente.

INSTALACIÓN DE LAS RUEDAS

Vea la figura 4.

Se suministran ruedas para ayudar a mover la unidad hacia y desde el área de trabajo. **Para su instalación:**

- Retire la arandela y el pasador de enganche del lado izquierdo del eje.
- Retire la tapa de extremo de la rueda.
- Coloque la rueda en el eje.
- Deslice la arandela en el eje hasta que toque la rueda.
- Inserte el pasador de enganche para asegurar.
NOTA: Debe introducirse el pasador de enganche en el eje hasta que el centro de aquél descansa en la parte superior de éste.
- Empuje la tapa de extremo en el centro de la rueda hasta que encaje en su lugar.
- Repita el proceso con la segunda rueda.

PLEGADO/DESPLEGADO DEL CONJUNTO DEL MANGO

Vea las figuras 5 y 6.

Para plegar el conjunto del mango:

- Afloje las perillas del mango superior.
- Doble el mango superior hacia abajo y hacia atrás sobre el mango inferior.
NOTA: No aplique fuerza. Si hay algún atoramiento, continúe aflojando las perillas. No permita que se pellizque el cable del interruptor al subir el mango.
- Afloje las perillas del mango inferior.
- Empuje los mangos superior e inferior hacia adelante y hacia abajo sobre la cultivadora.

Para desplegar el conjunto del mango:

- Tire del mango inferior hacia arriba y hacia atrás hasta que quede alineado con la barra de la cultivadora.
NOTA: La barra debe calzar dentro de las ranuras en el mango inferior.

- Apriete las perillas del mango inferior para fijarlo en el lugar correspondiente.
- Tire del mango superior hacia arriba y hacia adelante hasta que quede alineado con el mango inferior.
NOTA: El mango inferior debe caber dentro de las ranuras del mango superior.
- Apriete las perillas del mango superior para fijarlo en el lugar correspondiente.



ADVERTENCIA:

Asegúrese de que esté bien apretada las perillas antes de utilizar el equipo; verifique periódicamente el apriete de la misma durante el uso para evitar lesiones graves.

CÓMO CAMBIAR LAS POSICIONES DE LAS RUEDAS

Vea las figuras 7 a 9.

La posición de la rueda de la unidad puede regularse. Regule la posición de las ruedas colocando las pestañas en el conjunto de la rueda en los diferentes grupos de muescas en el soporte.



PRECAUCIÓN:

El conjunto de la rueda se acciona mediante resorte. Tenga cuidado de no pellizcarse los dedos o las manos durante la regulación de la posición de la rueda.

- Desde la parte trasera de la cultivadora, retire el conjunto de la rueda del soporte.
NOTA: El conjunto de la rueda accionado mediante resorte se moverá hacia adelante si se suelta.
- Lleve el conjunto de la rueda lentamente hacia el soporte y coloque las lengüetas del conjunto de la rueda en el conjunto de muescas del soporte.
 - Coloque el conjunto de la rueda en el grupo más bajo de muescas (posición A) para transportar la cultivadora o para el cultivo superficial.
 - Coloque el conjunto de la rueda en el grupo medio de muescas (posición B) para el cultivo en general con una penetración de la superficie moderada.
 - Coloque el conjunto de la rueda en el grupo superior de muescas (posición C) para permitir una penetración profunda de las hojas de las púas en la superficie de cultivo.

FUNCIONAMIENTO

ADVERTENCIA:

No permita que su familiarización con esta producto lo vuelva descuidado. Tenga presente que un descuido de un instante es suficiente para causar una lesión grave.

ADVERTENCIA:

Siempre póngase protección ocular con la marca de cumplimiento de la norma ANSI Z87.1 junto con protección para los oídos. La inobservancia de esta advertencia puede permitir que los objetos lanzados hacia los ojos y otros provocarle lesiones graves.

ADVERTENCIA:

No utilice ningún accesorio o accesorio no recomendado por el fabricante de esta producto. El empleo de accesorios o accesorios no recomendados podría causar lesiones serias.

AVISO:

Antes de cada uso, inspeccione todo el producto para detectar partes dañadas, faltantes o sueltas, como tornillos, tuercas, pernos, tapas, etc. Apriete firmemente todos los sujetadores y las tapas y no accione este producto hasta que todas las partes faltantes o dañadas sean reemplazadas. Póngase en contacto con el servicio al cliente o con un centro de servicio autorizado para obtener ayuda.

USOS

Esta producto puede emplearse para los fines enumerados abajo:

- Mullido de la tierra del jardín como preparación para plantar
- Cultivo superficial para eliminar maleza

CONEXIÓN AL SUMINISTRO DE CORRIENTE

Vea la figura 10.

Esta producto dispone de un gancho para el cordón de extensión, el cual evita que se afloje el cordón en el enchufe de la unidad si aquél experimenta un tirón.

- Forme una lazada con el extremo del cordón de extensión.
- Inserte la parte de la lazada del cable de prolongación en la abertura en la parte inferior del retenedor del cable y colóquela sobre el gancho.
- Lentamente tire de la lazada contra el gancho hasta eliminar toda holgura.
- Conecte la producto con la cordón de extensión.

NOTA: Si no elimina la holgura del cordón de extensión alrededor del gancho podría aflojarse la clavija en el receptáculo.

ADVERTENCIA:

Siempre desconecte la cultivadora del suministro de alimentación antes de instalar las piezas, realizar ajustes. limpiarla o cuando no la utilice. Esto evitará que la unidad se accione accidentalmente y provoque lesiones graves.

ENCENDIDO Y APAGADO DE LA CULTIVADORA

Vea la figura 10.

Para arrancar el motor:

- Conecte la cultivadora al suministro de corriente.

AVISO:

Siempre asegure el cable de extensión utilizando un retén de cable. Si no utiliza un retén de cable, puede dañar la unidad o el cable de extensión.

- Coloque el pulgar en el botón de seguro.
- Tire del gatillo hacia el mango.
- Suelte el botón de seguro.

Apagar el motor:

- Suelte el gatillo del interruptor.

PREPARACIÓN DEL LECHO DE TIERRA PARA LAS SEMILLAS

Vea la figura 11.

ADVERTENCIA:

No acerque las manos, los pies ni ninguna otra parte del cuerpo o la ropa a las púas giratorias ni a ninguna otra parte móvil. Las púas comienzan a girar una vez que se presiona el botón del seguro y se tira del gatillo interruptor. Las púas continúan girando hasta que se suelte el gatillo interruptor. El contacto podría ocasionar una lesión grave.

ADVERTENCIA:

Para evitar lesiones personales, nunca desplace el accesorio para cultivadora mientras el motor esté en marcha. Mueva el accesorio para cultivadora al área de trabajo antes de poner en marcha el motor.

ADVERTENCIA:

Después de períodos extendidos de uso, se puede calentar la caja de engranajes del accesorio para cultivadora. Para evitar quemaduras, no toque la caja de engranajes hasta que haya tenido tiempo de enfriarse.

FUNCIONAMIENTO



ADVERTENCIA:

Mantenga siempre la cultivadora alejada del cuerpo, manteniendo siempre la distancia. Cualquier contacto con las púas durante el funcionamiento puede ocasionar lesiones graves.

La cultivadora puede utilizarse para mullir la tierra del jardín y preparar un lecho de tierra para plantar semillas. Planifique para dejar suficiente espacio entre las hileras de semillas con el fin de permitir el cultivo con máquina una vez crecidas las plantas.

- Con el conjunto de rueda instalado en la posición A como se describió anteriormente, lleve la máquina al área de trabajo.
- Regule la posición del conjunto de la rueda para un cultivo superficial, moderado o profundo (consulte la sección **Cómo cambiar las posiciones de las ruedas**).
NOTA: La posición adecuada del conjunto de la rueda variará según el tipo de suelo que cultive y sus condiciones en ese momento.
- Conecte la unidad a un cordón de extensión para intemperie aprobado.
- Pase el cordón de extensión a través de los aros de retención destinados al mismo.
- Párese detrás de la unidad, con las púas de ésta sobre el suelo y teniendo el área de trabajo limpia y carente de obstrucciones.
- Oprima el botón de seguro.
- Para iniciar el giro de las púas, tire del gatillo hacia el mango.

NOTA: Las púas ayudan a impulsar hacia adelante la máquina, por lo cual debe usarse una velocidad más lenta y una profundidad menor cuando está aprendiéndose a usar la unidad y al cultivar terreno áspero o accidentado.

NOTA: Es posible que se requieran varias pasadas por el mismo trayecto para lograr la profundidad deseada. No intente cultivar a demasiada profundidad en la primera pasada. Si la máquina salta o da sacudidas, permita que avance a una velocidad levemente más rápida, o regule la posición del conjunto de la rueda.

Para cavar con mayor profundidad, incline la barra del mango hacia arriba (lo que baja las púas). Aplique presión hacia abajo sobre el mango para un cultivo más superficial (lo que levanta las púas).

Si la máquina no avanza y sólo cava en un mismo lugar, balancee la unidad de un lado a otro para hacerla avanzar de nuevo.

Si está muy dura la tierra, riéguela unos cuantos días antes de cultivarla.

Evite trabajar la tierra cuando esté mojada o húmeda. Después de una lluvia intensa, espere uno o dos días para dejar secar la tierra.

MANTENIMIENTO

ADVERTENCIA:

Antes de inspeccionar, limpiar o dar servicio a la unidad, apague el motor, espere a que se detengan todas las piezas en movimiento, y desconecte la clavija de la fuente de corriente. El incumplimiento de cualquiera de estas instrucciones puede causar lesiones serias.

ADVERTENCIA:

Siempre póngase protección ocular con protección lateral con la marca de cumplimiento de la norma ANSI Z87.1. Si no cumple esta advertencia, los objetos que salen despedidos pueden producirle lesiones serias en los ojos.

ADVERTENCIA:

Al dar servicio a la unidad, sólo utilice piezas de repuesto autorizadas. El empleo de piezas diferentes puede causar un peligro o dañar el producto.

AVISO:

Inspeccione periódicamente todo el producto para detectar partes dañadas, faltantes o sueltas, como tornillos, tuercas, pernos, tapas, etc. Apriete firmemente todos los sujetadores y las tapas y no accione este producto hasta que todas las partes faltantes o dañadas sean reemplazadas. Póngase en contacto con el servicio al cliente o con un centro de servicio autorizado para obtener ayuda.

ADVERTENCIA:

No permita en ningún momento que fluidos para frenos, gasolina, productos a base de petróleo, aceites penetrantes, etc., lleguen a tocar las piezas de plástico. Las sustancias químicas pueden dañar, debilitar o destruir el plástico, lo cual a su vez puede producir lesiones corporales serias.

LUBRICACIÓN

Todos los cojinetes de este producto están lubricados con suficiente cantidad de aceite de alta calidad para toda la vida útil de la unidad en condiciones normales de funcionamiento. Por lo tanto, no se necesita lubricación adicional de los cojinetes.

GUARDADO DE LA CULTIVADORA

- Limpie toda la suciedad, pasto y demás materiales de toda la unidad.
- Limpie las púas con aceite o rocíelas con lubricante de silicón para impedir la oxidación de las mismas.
- Aceite el cable del gatillo del interruptor y todas las partes móviles visibles. No retire la tapa del motor.
- Pida piezas nuevas para reemplazar las que estén gastadas o rotas.
- Guarde la unidad en posición vertical, en un lugar limpio y seco. Guarde la unidad con el mango en posición extendida, o afloje las perillas del mango y pliegue éste. No permita que se pellizque el cable del interruptor al bajar el mango.

MANTENIMIENTO GENERAL

Evite el empleo de solventes al limpiar piezas de plástico. La mayoría de los plásticos son susceptibles a diferentes tipos de solventes comerciales y pueden resultar dañados. Utilice paños limpios para eliminar la suciedad, el polvo, el aceite, la grasa, etc.

CORRECCIÓN DE PROBLEMAS

SI CON ESTAS SOLUCIONES NO SE RESUELVE EL PROBLEMA, COMUNÍQUESE CON EL CONCESIONARIO DE SERVICIO AUTORIZADO DE SU PREFERENCIA.

PROBLEMA	CAUSA POSIBLE	SOLUCIÓN
El motor no arranca al oprimir el gatillo del interruptor.	No está conectado el cordón de corriente o está floja la conexión. Se disparó un disyuntor del circuito casero.	Conecte el cordón de corriente. Revise el disyuntor del circuito.
El motor funciona pero no se mueven las aspas.	Falla del tren de engranajes.	Lleve la unidad a un centro de servicio autorizado.



APROVECHE AL MÁXIMO SU COMPRA!

Diríjase a <http://register.ryobitools.com> y registre en línea su nueva herramienta.

Este producto ha sido probado enteramente antes de embarcarse para asegurar la completa satisfacción del consumidor.

¡Si tiene preguntas sobre el funcionamiento o el mantenimiento del producto, llame al teléfono de atención al consumidor de RYOBI!

Este producto tiene una garantía limitada de cinco años para fines personales, familiares o domésticos (90 días para usos trabajo o comercial). Para obtener detalles sobre la garantía, diríjase a www.ryobitools.com o llame sin cargo al 1-800-860-4050.



OPERATOR'S MANUAL
MANUEL D'UTILISATION / MANUAL DEL OPERADOR
ELECTRIC CULTIVATOR
CULTIVATEUR ÉLECTRIQUE
CULTIVADORA ELÉCTRICA
RYAC700

• **PARTS AND SERVICE:** Prior to requesting service or purchasing replacement parts, please obtain your item, manufacturing, and serial numbers from the product data plate.

ITEM NO. _____

MANUFACTURING NO. _____

SERIAL NO. _____

HOW TO OBTAIN REPLACEMENT PARTS: Replacement parts can be purchased online at www.ryobitools.com or by calling 1-800-860-4050. Replacement parts can also be obtained at one of our service centers.

HOW TO LOCATE A SERVICE CENTER: Service centers can be located online at www.ryobitools.com or by calling 1-800-860-4050.

HOW TO OBTAIN CUSTOMER OR TECHNICAL SUPPORT: To obtain customer or technical support please contact us at 1-800-860-4050.

RYOBI is a registered trademark of Ryobi Limited and is used pursuant to a license granted by Ryobi Limited.

• **PIÈCES ET SERVICE :** Avant de faire la demande de service ou l'achat de pièces de remplacement, veuillez obtenir le numéro d'article, le numéro de fabrication et le numéro de série à partir de la plaque de données du produit.

NUMÉRO D'ARTICLE _____

NUMÉRO DE FABRICATION _____

NUMÉRO DE SÉRIE _____

COMMENT OBTENIR LES PIÈCES DE REMPLACEMENT : Les pièces de remplacement peuvent être achetées en ligne sur le site www.ryobitools.com ou par téléphone au 1-800-860-4050. Les pièces de remplacement peuvent être obtenues à un de nos centres de service.

COMMENT TROUVER UN CENTRE DE SERVICE : Les centres de service peuvent être localisés en ligne au www.ryobitools.com ou en téléphonant au 1-800-860-4050.

COMMENT OBTENIR DE L'AIDE EN CONTACTANT LE SERVICE À LA CLIENTÈLE : Pour contacter le service à la clientèle pour une question technique ou pour tout autre renseignement, veuillez nous téléphoner au 1-800-860-4050.

RYOBI est une marque déposée de Ryobi Limited et est utilisée en vertu d'une licence accordée par Ryobi Limited.

• **PIEZAS DE REPUESTO Y SERVICIO:** Antes de solicitar servicio técnico o comprar piezas de repuesto, obtenga su número de artículo, el número de fabricación y el número de serie de la placa de datos del producto.

NÚMERO DE ARTÍCULO _____

NÚMERO DE FABRICACIÓN _____

NÚMERO DE SERIE _____

CÓMO OBTENER PIEZAS DE REPUESTO: Las piezas de repuesto se pueden comprar en nuestro sitio en la red mundial, en la dirección www.ryobitools.com o llamando al 1-800-860-4050. Las piezas de repuesto también se pueden obtener en uno de nuestros centros de servicio.

CÓMO LOCALIZAR UN CENTRO DE SERVICIO: Puede encontrar los centros de servicio visitando nuestro sitio en la red mundial, en la dirección www.ryobitools.com or by calling 1-800-860-4050.

CÓMO OBTENER SERVICIO O ASISTENCIA TÉCNICA AL CONSUMIDOR: Para obtener servicio o asistencia técnica al consumidor, sírvase comunicarse con nosotros llamando al 1-800-860-4050.

RYOBI es una marca registrada de Ryobi Limited y se utiliza conforme a una licencia otorgada por Ryobi Limited.

TECHTRONIC INDUSTRIES POWER EQUIPMENT