

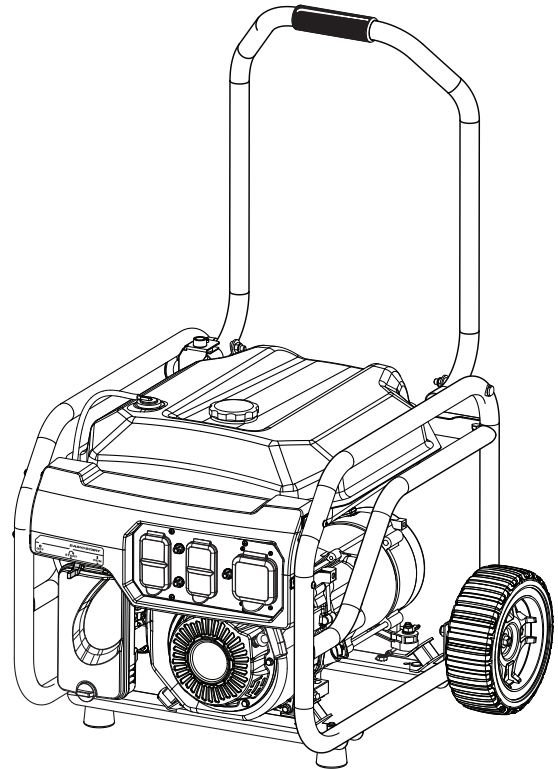


OPERATOR'S MANUAL

MANUEL D'UTILISATION MANUAL DEL OPERADOR

3,600 WATT GENERATOR GÉNÉRATRICE DE 3600 WATTS GENERADOR 3 600 WATTS

RY903600



**NEUTRAL FLOATING
CONNECTEUR NEUTRE LIBRE
PUNTO NEUTRO FLOTANTE**

NOTICE AVIS AVISO

Do not use E15 or E85 fuel in this product. It is a violation of federal law and will damage the unit and void your warranty. Only use unleaded gasoline containing up to 10% ethanol.



Ne pas utiliser d'essence E15 ou E85 dans ce produit. Une telle utilisation représente une violation de la loi fédérale et endommagera l'appareil et annulera la garantie. Utiliser seulement de l'essence sans plomb ne contenant pas plus de 10 % d'éthanol.

No utilice combustibles E15 o E85 con este producto. Esto constituye una violación a la ley federal, dañará la unidad y anulará la garantía. Utilice únicamente gasolina sin plomo que contiene hasta 10% de etanol.

TABLE OF CONTENTS

- Important Safety Instructions.....3-4
- Specific Safety Rules 4
- Symbols5-7
- Electrical8-9
- Features 10
- Assembly11-12
- Operation12-15
- Maintenance15-18
- Troubleshooting 19
- Warranty.....20-21
- Parts Ordering / Service..... Back Page

TABLE DES MATIÈRES

- Instructions importantes concernant la sécurité3-4
- Règles de sécurité particulières..... 4
- Symboles5-7
- Caractéristiques électriques8-9
- Caractéristiques..... 10
- Assemblage11-12
- Utilisation12-15
- Entretien.....16-19
- Dépannage.....20
- Garantie21-22
- Commande de pièces / réparation.....Page arrière

ÍNDICE DE CONTENIDO

- Instrucciones de seguridad importantes.....3-4
- Reglas de seguridad específicas 4
- Símbolos5-7
- Aspectos eléctricos8-9
- Características 10
- Armado11-12
- Funcionamiento12-15
- Mantenimiento16-19
- Corrección de problemas20
- Garantía21-22
- Pedidos de piezas/ servicio..... Pág. posterior

⚠ WARNING: To reduce the risk of injury, the user must read and understand the operator's manual before using this product.

⚠ AVERTISSEMENT : Pour réduire les risques de blessures, l'utilisateur doit lire et veiller à bien comprendre le manuel d'utilisation avant d'employer ce produit.

⚠ ADVERTENCIA: Para reducir el riesgo de lesiones, el usuario debe leer y comprender el manual del operador antes de usar este producto.

**SAVE THIS MANUAL FOR
FUTURE REFERENCE**

**CONSERVER CE MANUEL
POUR FUTURE RÉFÉRENCE**

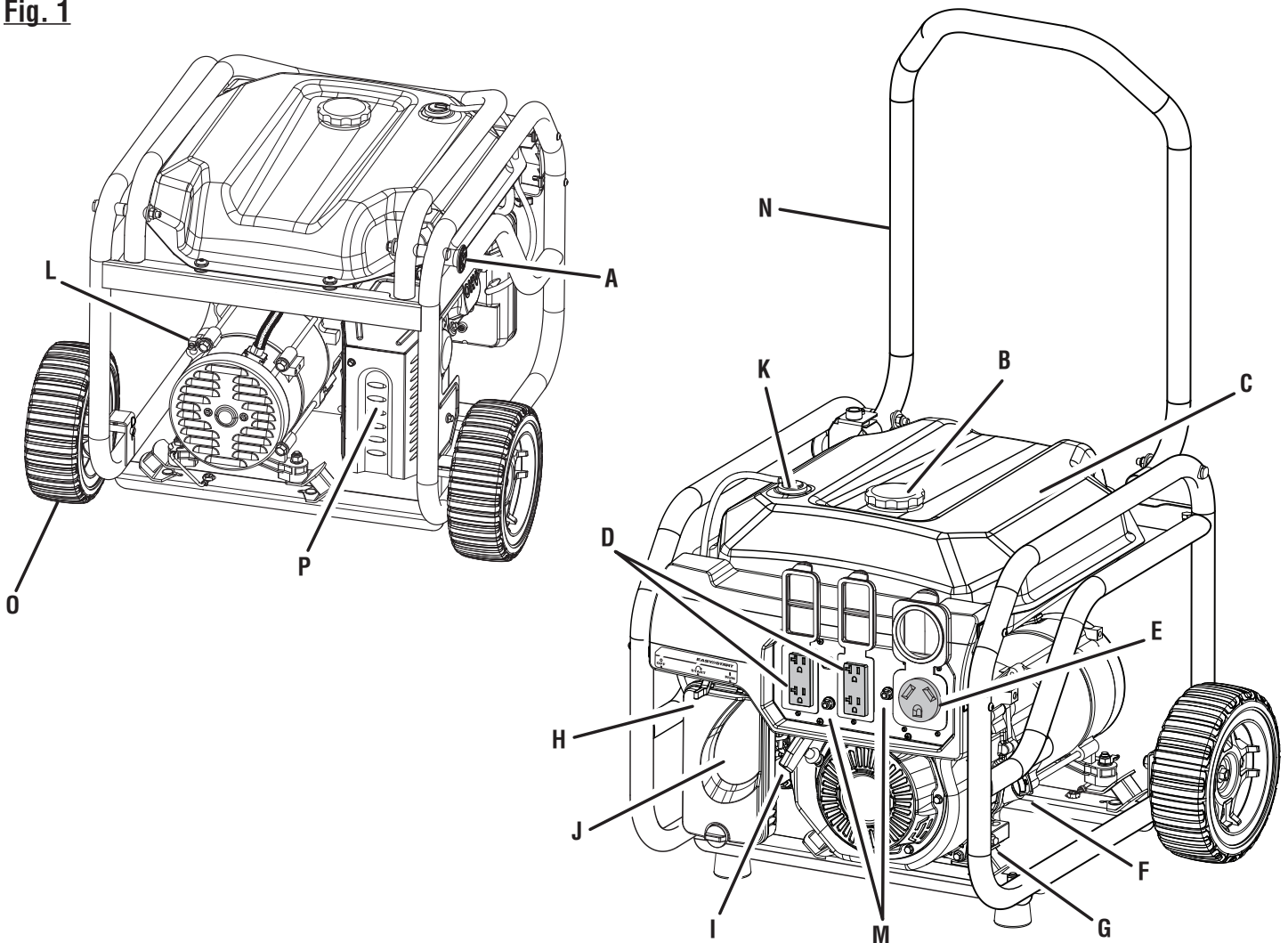
**GUARDE ESTE MANUAL
PARA FUTURAS CONSULTAS**

See this fold-out section for all of the figures referenced in the operator's manual.

Consulter l'encart à volets afin d'examiner toutes les figures mentionnées dans le manuel d'utilisation.

Consulte esta sección desplegable para ver todas las figuras a las que se hace referencia en el manual del operador.

Fig. 1



A - Handle release knob (bouton de verrouillage de la poignée, perilla de liberación del mango)
 B - Fuel cap (bouchon de carburant, tapa del tanque de combustible)
 C - Fuel tank (réservoir de carburant, tanque de combustible)
 D - 120 volt AC 20 amp receptacles (prises 120 V c.a. 20 A, 120 V de CA 20 A receptáculos)
 E - 120 volt AC 30 amp RV receptacle (prise de 120 volt c.a. 30 A de RV, 120 V de ca 30 A réceptáculo de RV)
 F - Oil cap/dipstick (bouchon / jauge d'huile, tapa de relleno de aceite / varilla medidora de aceite)
 G - Oil drain plug (huiler le bouchon d'égout, tapón de drenaje del aceite)
 H - Engine switch/choke lever (interrupteur du moteur/levier d'étrangleur, interruptor del motor/palanca del anegador)
 I - Recoil starter grip (poignée du démarreur à rappel, mango del arrancador retráctil)
 J - Air filter (filtre à air, filtro de aire)

F - Oil cap/dipstick (bouchon / jauge d'huile, tapa de relleno de aceite / varilla medidora de aceite)
 G - Oil drain plug (huiler le bouchon d'égout, tapón de drenaje del aceite)
 H - Engine switch/choke lever (interrupteur du moteur/levier d'étrangleur, interruptor del motor/palanca del anegador)
 I - Recoil starter grip (poignée du démarreur à rappel, mango del arrancador retráctil)
 J - Air filter (filtre à air, filtro de aire)

K - Fuel tank vapor vent (évent de vapeur du réservoir de carburant, respirador del vapor del tanque de combustible)
 L - Ground terminal (borne de terre, terminal de conexión a tierra)
 M - AC circuit breakers (disjoncteurs de C.A., disyuntors de circuito de CA)
 N - Handle (poignée, mango)
 O - Wheel (roue, rueda)
 P - Muffler (silencieux, silenciador)

Fig. 2

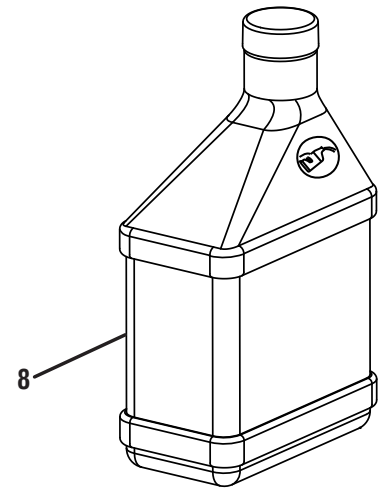
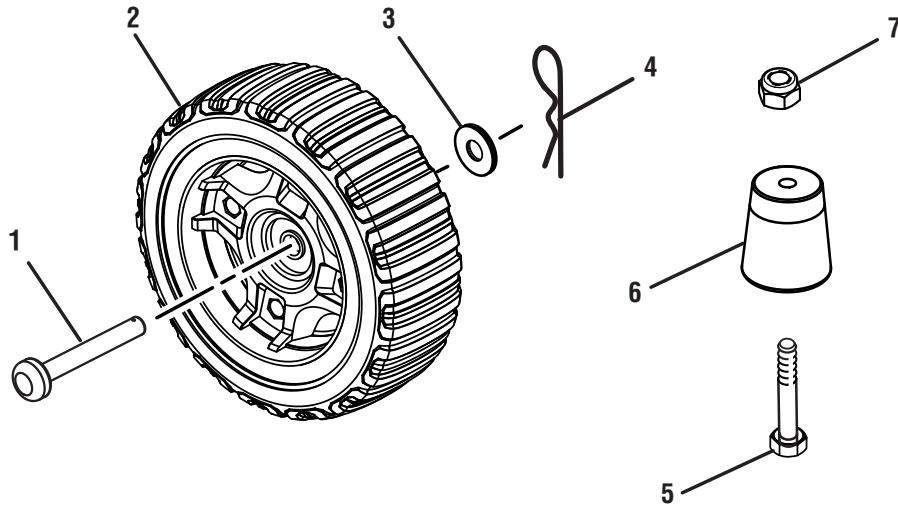
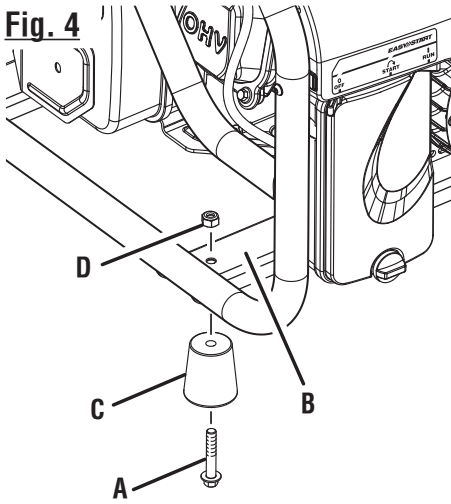


Fig. 3



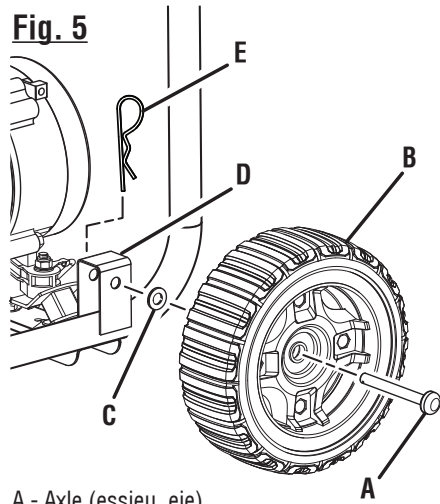
A - Socket wrench (clé à douille, llave de casquillo)
B - Adjustable wrench (clé à molette, llave ajustable)

Fig. 4



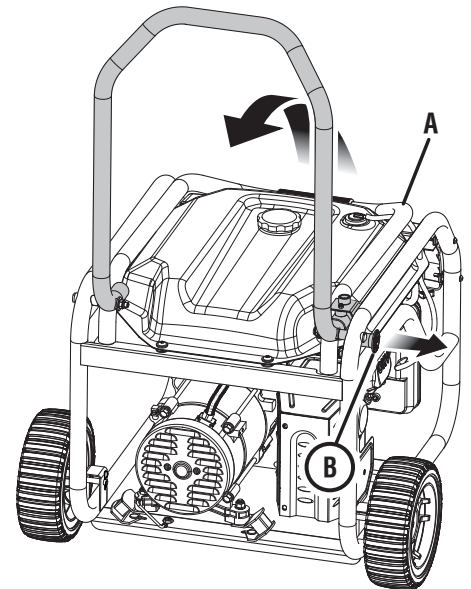
A - Bolt (boulon, perno)
B - Cross brace (renfort transversal, través del travesaño)
C - Rubber foot (pied en caoutchouc, pie de goma)
D - Lock nut (écrou frein, tuerca de bloqueo)

Fig. 5



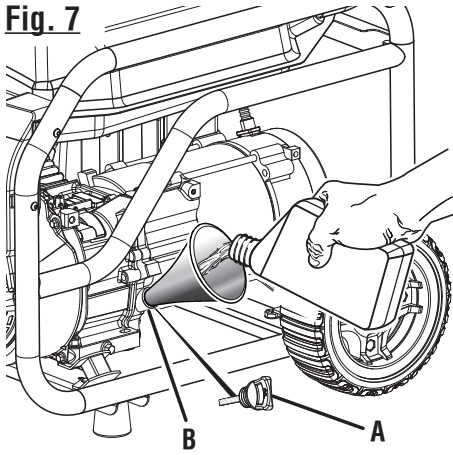
A - Axle (essieu, eje)
B - Wheel (roué, rueda)
C - Washer (rondelle, arandela)
D - U-bracket (support en U, soporte en "U")
E - Hitch pin (axe de blocage, pasador del enganche)

Fig. 6



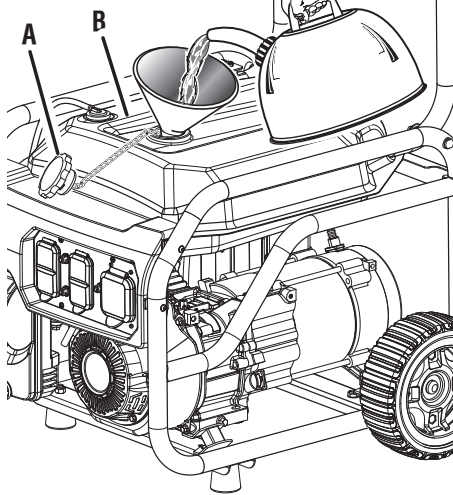
A - Handle (poignée, mango)
B - Handle release knob (bouton de verrouillage de la poignée, perilla de liberación del mango)

Fig. 7



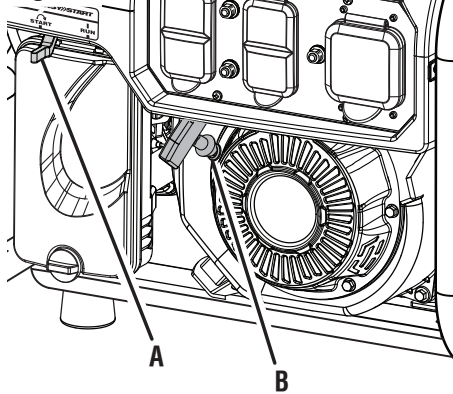
- A - Oil cap/dipstick (capuchon d'huile/la jauge, tapa de relleno de aceite / varilla medidora de aceite)
- B - Oil fill hole (orifice de remplissage d'huile, agujero de llenado de aceite)

Fig. 8



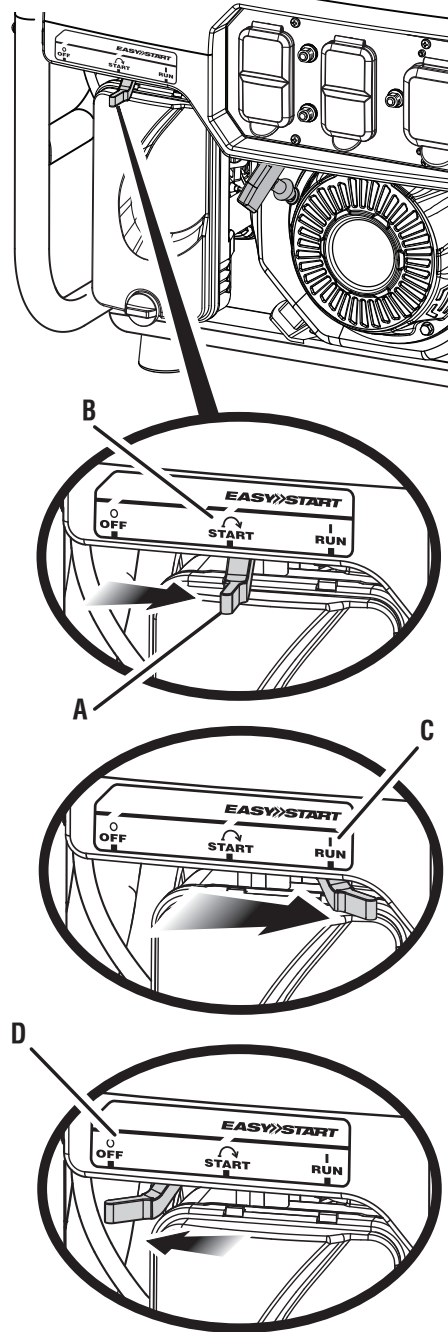
- A - Fuel cap (bouchon de carburant, tapa del tanque de combustible)
- B - Fuel tank (réservoir de carburant, tanque de combustible)

Fig. 9



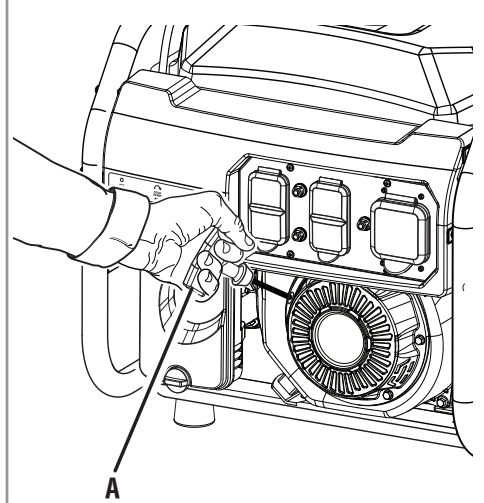
- A - START position (la position START [DÉMARRAGE], la posición START [ARRANQUE])
- B - Recoil starter grip (poignée de démarreur à rappel, mango del arrancador retráctil)

Fig. 10



- A - Engine switch/choke lever (interrupteur du moteur/levier d'étrangleur, interruptor del motor/palanca del anegador)
- B - START (DÉMARRAGE, ARRANQUE)
- C - RUN (MARCHE, MARCHA)
- D - OFF (ARRET, APAGADO)

Fig. 11



- A - Recoil starter grip (poignée de démarreur à rappel, mango del arrancador retráctil)

Fig. 12

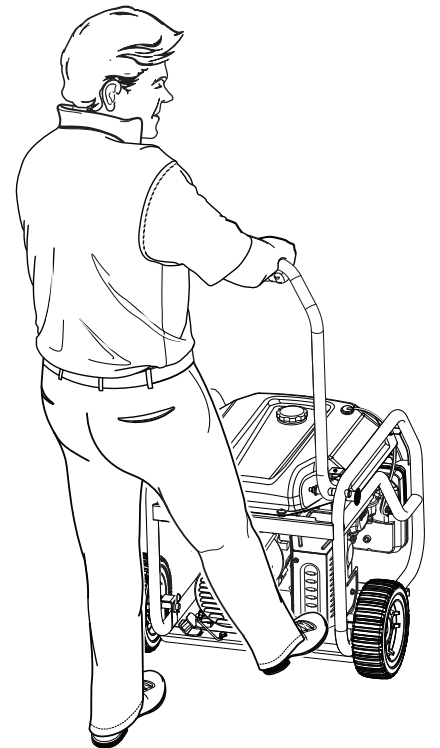


Fig. 13

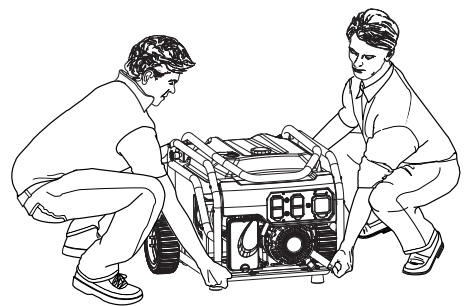
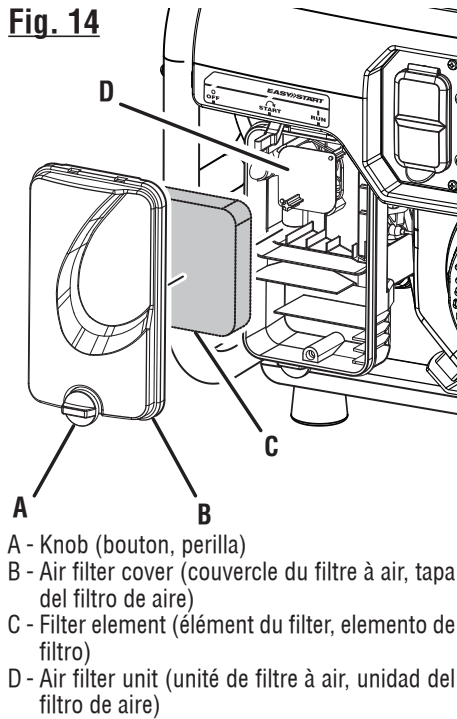
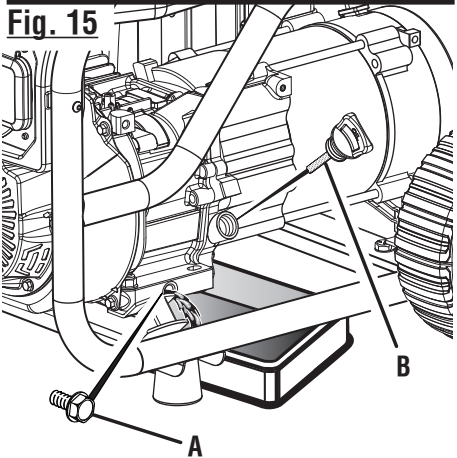


Fig. 14



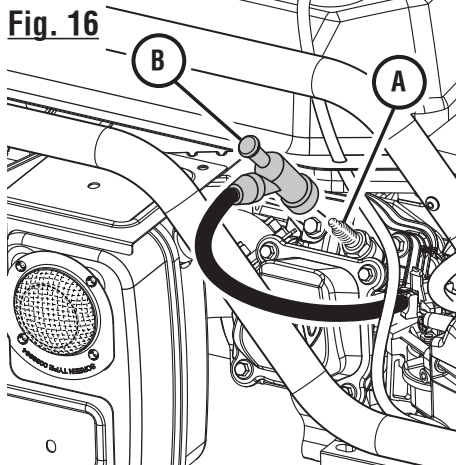
- A - Knob (bouton, perilla)
- B - Air filter cover (couverture du filtre à air, tapa del filtro de aire)
- C - Filter element (élément du filter, elemento de filtro)
- D - Air filter unit (unité de filtre à air, unidad del filtro de aire)

Fig. 15



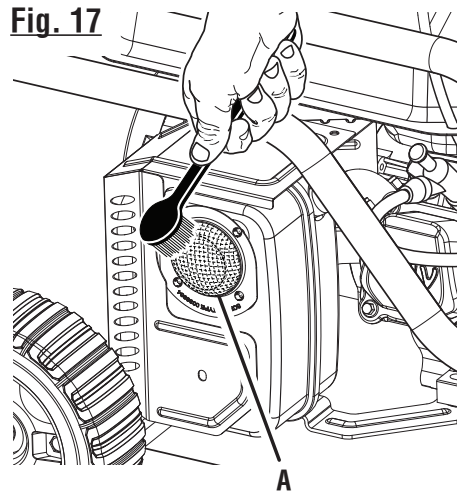
- A - Oil drain plug (huiler le bouchon d'égout, tapón de drenaje del aceite)
- B - Oil cap/dipstick (bouchon / jauge d'huile, tapa de relleno de aceite / varilla medidora de aceite)

Fig. 16



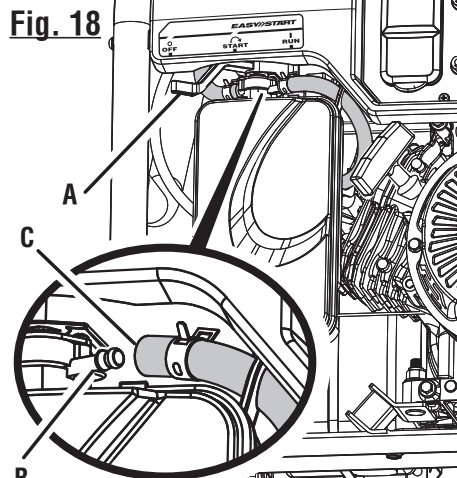
- A - Spark plug (bougie, bujía)
- B - Spark plug cap (capuchon de bougie, tapa de la bujía)

Fig. 17

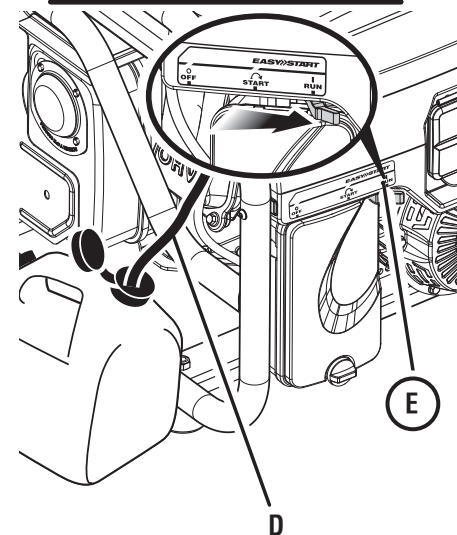


- A - Spark arrester (pare-étincelle, parachispas)

Fig. 18

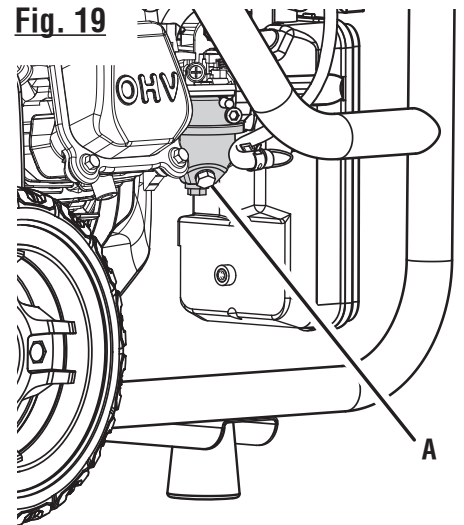


- A - Engine switch/choke lever (interrupteur du moteur/levier d'étrangleur, interruptor del motor/palanca del anegador)
- B - Hose barb (raccord à tuyau cannelé, conector de manguera dentada)
- C - Fuel line (conduite de carburant, conducto de combustible)



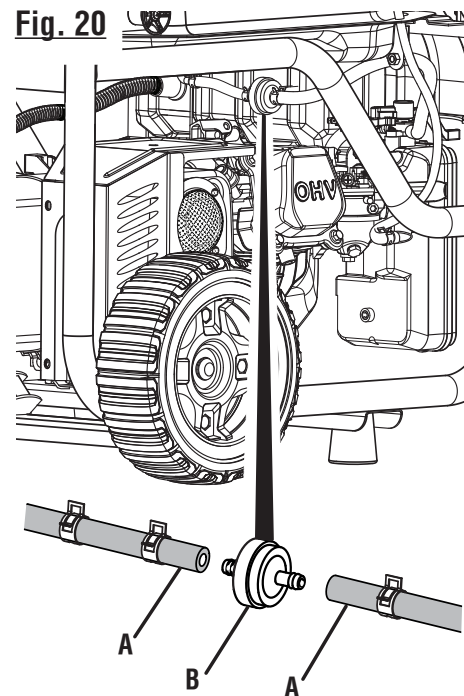
- D - Drain line (tuyau de vidange, conducto de drenaje)
- E - RUN position (position RUN [MARCHE], Posición RUN [MARCHA])

Fig. 19



- A - Carburetor drain screw (vis de vidange du carburateur, tornillo de drenaje del carburador)

Fig. 20



- A - Fuel line (conduite de carburant, conducto de combustible)
- B - Fuel filter (filtre de carburant, filtro de combustible)

To register your Ryobi product, please visit: www.ryobitools.com

LOCATE GENERATOR AT LEAST 20 FT.* AWAY TO REDUCE THE RISK OF CARBON MONOXIDE GETTING INSIDE THE HOME

* Minimum distance as recommended by U.S. Department of Health and Human Services Centers for Disease Control and Prevention (www.cdc.gov/co). Your specific home and/or wind conditions may require additional distance.



**KEEP AT LEAST
20 FT.* AWAY**

Only use **OUTSIDE** and **FAR AWAY** from windows, doors, and vents.



**CO Detector
in Living Areas**

WARNING:

GROUNDING THE GENERATOR

If this generator will be used **only** with cord and plug-connected equipment, National Electric Code does not require that the unit be grounded. However, other methods of using the generator may require grounding to reduce the risk of shock or electrocution. Consult a qualified electrician, electrical inspector, or local agency having jurisdiction for local codes or ordinances to find out if grounding is needed in your situation before using the generator.

When grounding is required, the nut and ground terminal on the frame are used to connect the generator to a suitable ground source. The ground path should be made with #8 size wire. Connect the terminal of the ground wire between the lock washer and the nut, and tighten the nut fully. Connect the other end of the wire securely to a suitable ground source that is in contact with the soil for a minimum distance of 8 ft.

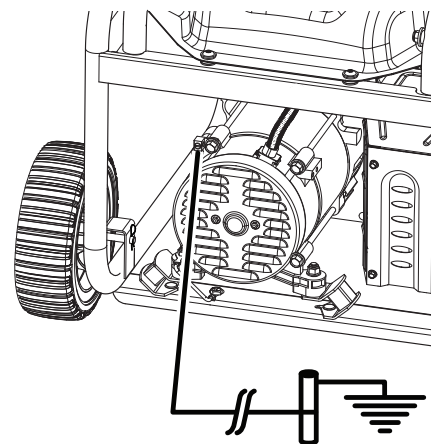
The National Electric Code contains several practical ways in which to establish a good ground source. If a steel or iron rod is used, it should be at least 5/8 in. diameter, and if a nonferrous rod is used, it should be at least 1/2 in. diameter and be listed as material for grounding. If a rock bottom is encountered before reaching a depth of 8 ft., drive the ground rod in at an angle of up to 45°. If the rock bottom is again encountered, the rod can be buried in a trench that is at least 30 in. deep. In all cases, the upper end of the grounding rod should either be flush with (or below) the ground or must be otherwise protected from physical damage.

All electrical tools and appliances operated from this generator must be properly grounded by use of a third wire or be "Double Insulated."

It is recommended to:

1. Use electrical devices with 3-prong grounded plugs.
2. Use an extension cord intended for outdoor use with a 3-pole receptacle and a 3-prong plug at opposite ends to ensure continuity of the ground protection from the generator to the appliance.

Check and adhere to all applicable federal, state, and local regulations relating to grounding specifications. Consult a qualified electrician or service personnel if the grounding instructions are not completely understood or if in doubt as to whether the generator is properly grounded.



IMPORTANT SAFETY INSTRUCTIONS

DANGER:

Carbon Monoxide. Using a generator indoors CAN KILL YOU IN MINUTES.

Generator exhaust contains high levels of carbon monoxide (CO), a poisonous gas you cannot see or smell. If you can smell the generator exhaust, you are breathing CO. But even if you cannot smell the exhaust, you could be breathing CO.

- Never use a generator inside homes, garages, crawl-spaces, or other partly enclosed areas. Deadly levels of carbon monoxide can build up in these areas. Using a fan or opening windows and doors does NOT supply enough fresh air.
- ONLY use a generator outdoors and far away from open windows, doors, and vents. These openings can pull in generator exhaust.

Even when you use a generator correctly, CO may leak into the home. ALWAYS use a battery-powered or battery-backup CO alarm in the home.

If you start to feel sick, dizzy, or weak after the generator has been running, move to fresh air RIGHT AWAY. See a doctor. You could have carbon monoxide poisoning.

WARNING:

Read and understand all instructions. Failure to follow all instructions listed below could result in electrocution, fire, and/or carbon monoxide poisoning, which can cause death or serious injury.

WARNING:

In some applications, National Electric Code requires generator to be grounded to an approved earth ground. Before using the ground terminal, consult a qualified electrician, electrical inspector, or local agency having jurisdiction for local codes or ordinances that apply to the intended use of the generator.

SAVE THESE INSTRUCTIONS

This manual contains important instructions that should be followed during installation and maintenance of the generator and batteries.

- Do not connect to a building's electrical system unless the generator and transfer switch have been properly installed and the electrical output has been verified by a qualified electrician. The connection must isolate the generator power from utility power and must comply with all applicable laws and electrical codes.
- Do not allow children or untrained individuals to use this unit.

- Do not start or operate the engine in a confined space, building, near open windows, or in other unventilated space where dangerous carbon monoxide fumes can collect. Carbon monoxide, a colorless, odorless, and extremely dangerous gas, can cause unconsciousness or death.
- Keep all bystanders, children, and pets at least 10 feet away.
- Wear sturdy and dry shoes or boots. Do not operate while barefoot.
- Do not operate generator when you are tired or under the influence of drugs, alcohol, or medication.
- Keep all parts of your body away from any moving parts and all hot surfaces of the unit.
- Do not touch bare wire or receptacles.
- Do not use generator with electrical cords which are worn, frayed, bare, or otherwise damaged.
- Before storing, allow the engine to cool for 30 minutes and drain fuel from the unit.
- Do not operate or store the generator in rain, snow, or wet weather.
- Store the generator in a well-ventilated area with the fuel tank empty. Fuel should not be stored near the generator.
- Empty fuel tank, place the engine switch/fuel valve/choke lever in the **OFF** position, and restrain the unit from moving before transporting in a vehicle.
- Provide a plastic sheet or absorbent pad below the generator to catch any drips of fuel or lubricant when transporting.
- To reduce the risk of fire and burn injury, handle fuel with care. It is highly flammable.
- Do not smoke while handling fuel.
- Store fuel in a container approved for gasoline.
- Position the unit on level ground, stop engine, and allow to cool for five minutes before refueling.
- Loosen fuel cap slowly to release pressure and to keep fuel from escaping around the cap.
- Tighten the fuel cap securely after refueling.
- Wipe spilled fuel from the unit.
- Never attempt to burn off spilled fuel under any circumstances.
- Generators vibrate in normal use. During and after the use of the generator, inspect the generator as well as extension cords and power supply cords connected to it for damage resulting from vibration. Have damaged items repaired or replaced as necessary. Do not use plugs or cords that show signs of damage such as broken or cracked insulation or damaged blades.
- For power outages, permanently installed stationary generators are better suited for providing back-up power to the home. Even a properly connected portable generator

IMPORTANT SAFETY INSTRUCTIONS

can become overloaded. This may result in overheating or stressing the generator components, possibly leading to generator failure.

- Use only recommended or equivalent replacement parts and accessories and follow instructions in the *Maintenance* section of this manual. Use of any other parts or

failure to follow maintenance instructions may create a risk of shock or injury.

- Maintain the unit per maintenance instructions in this Operator's Manual.
- Inspect the unit before each use for loose fasteners, fuel leaks, etc. Replace damaged parts.

SPECIFIC SAFETY RULES



DANGER:

Risk of fire and serious burns: Never remove fuel cap when unit is running. Shut off engine and allow the unit to cool at least five minutes. Remove cap slowly.






WARNING:

When this generator is used to supply a building wiring system: generator must be installed by a qualified electrician and connected to a transfer switch as a separately derived system in accordance with NFPA 70, National Electrical Code. The generator shall be connected through a transfer switch that switches all conductors other than the equipment grounding conductor. The frame of the generator shall be connected to an approved grounding electrode. Failure to isolate the generator from power utility can result in death or injury to electric utility workers.










- Do not use this generator to provide power for emergency medical equipment or life support devices.
- This generator has a neutral floating condition. This means the neutral conductor is not electrically connected to the frame of the machine.
- Always use a battery-powered carbon monoxide detector when running the generator. If you begin to feel sick, dizzy, or weak while using the generator, shut it off and get to fresh air immediately. See a doctor. You may have carbon monoxide poisoning.
- Place the generator on a flat, stable surface with a slope of no more than 4°.
- Operate outdoors in a well-ventilated, well-lit area isolated from working areas to avoid noise interference.
- Operating the generator in wet conditions could result in electrocution. Keep the unit dry.
- Keep the generator a minimum of 3 feet away from all types of combustible material.
- Do not operate generator near hazardous material.
- Do not operate generator at a gas or natural gas filling station.
- Do not touch the muffler or cylinder during or immediately after use; they are HOT and will cause burn injury.
- Do not allow the generator's gas tank to overflow when filling. Fill to 1 in. below the top neck of the gasoline tank to allow for fuel expansion. Do not cover the fuel tank cap when the engine is running. Covering the fuel tank cap during use may cause engine failure and/or damage to the tool.
- Do not smoke when filling the generator with gasoline.
- Shut down the engine and allow to cool for five minutes before adding gasoline or lubricant to the generator.
- Do not remove the oil dipstick or the fuel tank cap when the engine is running.
- Pay close attention to all safety labels located on the generator.
- Keep children a minimum of 10 feet away from the generator at all times.
- The unit operates best in temperatures between 23°F and 104°F with a relative humidity of 90% or less.
- Operating voltage and frequency requirement of all electronic equipment should be checked prior to plugging them into this generator. Damage may result if the equipment is not designed to operate within a +/- 10% voltage variation, and +/- 3 hz frequency variation from the generator name plate ratings. To avoid damage, always have an additional load plugged into the generator if solid state equipment (such as a television set) is used. A power line conditioner is recommended for some solid state applications.
- For outdoor use only.
- Save these instructions. Refer to them frequently and use them to instruct others who may use this product. If you loan someone this product, loan them these instructions also.

SYMBOLS

The following signal words and meanings are intended to explain the levels of risk associated with this product.

SYMBOL	SIGNAL	MEANING
	DANGER:	Indicates a hazardous situation, which, if not avoided, will result in death or serious injury.
	WARNING:	Indicates a hazardous situation, which, if not avoided, could result in death or serious injury.
	CAUTION:	Indicates a hazardous situation, that, if not avoided, may result in minor or moderate injury.
	NOTICE:	(Without Safety Alert Symbol) Indicates information considered important, but not related to a potential injury (e.g. messages relating to property damage).

Some of the following symbols may be used on this product. Please study them and learn their meaning. Proper interpretation of these symbols will allow you to operate the product better and safer.

SYMBOL	NAME	DESIGNATION/EXPLANATION
	Safety Alert	Indicates a potential personal injury hazard.
	Read Operator's Manual	To reduce the risk of injury, user must read and understand operator's manual before using this product.
	Wet Conditions Alert	Do not expose to rain or use in damp locations.
	Electric Shock	Failure to use in dry conditions and to observe safe practices can result in electric shock.
	Toxic Fumes	Running generator gives off carbon monoxide, an odorless, colorless, poison gas. Breathing carbon monoxide can cause nausea, fainting, or death.
	Fire/Explosion	Fuel and its vapors are extremely flammable and explosive. Fire or explosion can cause severe burns or death.
	Hot Surface and Exhaust Gases	To reduce the risk of injury or damage, avoid contact with any hot surface and do not place any body parts in the path of hot exhaust gases.
	Lifting Hazard	To reduce the risk of serious injury, avoid attempting to lift the generator alone.
	Ground	Consult with local electrician to determine grounding requirements before operation.

SYMBOLS






Some of the following symbols may be used on this product. Please study them and learn their meaning. Proper interpretation of these symbols will allow you to operate the product better and safer.

SYMBOL	NAME	DESIGNATION/EXPLANATION
A	Amperes	Current
Hz	Hertz	Frequency (cycles per second)
W	Watt	Power
hrs	Hours	Time
gal	Gallon	Volume
qt	Quart	Volume




SAFETY LABELS

The information below can be found on the generator. For your safety, please study and understand all of the labels before starting the generator.

If any of the labels come off the unit or become hard to read, contact customer service or a qualified service center for replacement.

⚠ DANGER ⚠ DANGER ⚠ PELIGRO		
 <p>You WILL be KILLED or SERIOUSLY HURT if you do not follow the Operator's Manual instructions. Ne pas procéder de la manière décrite dans ce Manuel d'utilisation entraînera des BLESSURES GRAVES voire la MORT. SE MATARÁ o LESIONARÁ GRAVEMENTE si no sigue las instrucciones del Manual del operador.</p>	 <p>Generator is a potential source of electric shock. Do not expose to moisture, rain, or snow. Do not operate with wet hands or feet. Le générateur est une source potentielle de chocs électriques. Ne pas exposer à l'humidité, la pluie ou la neige. Ne pas utiliser avec les mains ou les pieds mouillés. El generador es una fuente de descarga eléctrica. No lo exponga a humedad, la lluvia, ni a la nieve. No opere con manos o pies húmedos.</p>	 <p>Exhaust contains poisonous carbon monoxide gas that can cause unconsciousness or DEATH. Operate in well ventilated, outdoor areas away from open windows or doors. L'échappement contient le gaz monoxyde de carbone toxique qui peut causer l'inconscience ou la MORT. Fonctionner dans les secteurs bien ventilés et extérieurs loin d'ouvrir des fenêtres ou des portes. El escape contiene gas venenoso de monóxido de carbono que puede causar pérdida del conocimiento o MUERTE. Opere en áreas exteriores bien ventiladas lejos de puertas o ventanas abiertas.</p>
 <p>Risk of fire. Do not add fuel while the product is operating. Risque d'incendie. Ne pas ajouter de carburant pendant l'utilisation de l'appareil. Riesgo del incendio. No agregue combustible cuando el producto esté funcionando.</p>	 <p>Do not expose to rain or use in damp locations. Ne pas exposer à la pluie ou l'humidité. No exponga a la lluvia ni use en lugares húmedos.</p>	

- You WILL be KILLED or SERIOUSLY HURT if you do not follow the Operator's Manual instructions.
- Risk of Fire. Do not add fuel while the product is operating.
- Generator is a potential source of electric shock. Do not expose to moisture, rain, or snow. Do not operate with wet hands or feet.
- Exhaust contains poisonous carbon monoxide gas that can cause unconsciousness or DEATH. Operate in well-ventilated, outdoor areas away from open windows or doors.
- Do not expose to rain or use in damp locations.
- Using a generator indoors CAN KILL YOU IN MINUTES. Generator exhaust contains carbon monoxide. This is a poison you cannot see or smell.
- NEVER use inside a home or garage, EVEN IF doors and windows are open.
- Only use OUTSIDE and far away from windows, doors, and vents.

⚠ DANGER		⚠ DANGER	
<p>Using a generator indoors CAN KILL YOU IN MINUTES. Generator exhaust contains carbon monoxide. This is a poison you cannot see or smell.</p>		<p>L'utilisation d'une génératrice à l'intérieur PEUT VOUS TUER EN QUELQUES MINUTES. Les génératrices produisent du monoxyde de carbone, un gaz mortel incolore et inodore. NE JAMAIS utiliser à l'intérieur d'une maison ou d'un garage, MÊME SI les portes et les fenêtres sont ouvertes. Utiliser uniquement À L'EXTÉRIEUR et loin des fenêtres, des portes et des événements.</p>	
 		⚠ PELIGRO	
<p>NEVER use inside a home or garage, EVEN IF doors and windows are open.</p>		<p>Usar un generador en el interior PUEDE MATARLO EN POCOS MINUTOS. Los gases de escape del generador contienen monóxido de carbono. Es un veneno que no puede verse ni olerse. NUNCA lo use dentro de su hogar o del garaje, INCLUSO con las puertas y las ventanas abiertas. Sólo utilícelo AL AIRE LIBRE y lejos de ventanas, puertas y respiraderos.</p>	

SYMBOLS

FUEL WARNING

No smoking when filling with gasoline. Do not overfill. Full level is 1 in. below the top of the fuel neck. Stop the engine for five minutes before refueling to avoid the heat from the muffler igniting fuel vapors.

ENGINE LUBRICANT WARNING

You must add lubricant before first operating the generator. Always check the lubricant level before each operation. The lubricant level should always register between the hatched areas on the dipstick. The unit is equipped with a sensor which will automatically shut off the engine if the lubricant level falls below a safe limit.

GROUNDING WARNING

This generator does not include a ground rod or copper wire. Call a qualified electrician for local grounding requirements.

HOT SURFACE WARNING

Do not touch the muffler or aluminum cylinder of the engine. They are very HOT and will cause severe burns. Don't put any flammable or combustible materials in the direct path of the exhaust.

CLEARANCE WARNING

While operating and storing, keep at least 3 feet of clearance on all sides of this product, including overhead. Allow a minimum of 30 minutes of "cool down" time before storage. Heat created by muffler and exhaust gases could be hot enough to cause serious burns and/or ignite combustible objects.


SPARK ARRESTOR

Operation of this equipment may create sparks that can start fires around dry vegetation. A spark arrestor may be required. The operator should contact local fire agencies for laws or regulations relating to fire prevention requirements.

FUEL CAP WARNING

Never remove fuel cap when unit is running. Shut off engine and allow the unit to cool at least five minutes. Remove cap slowly to release any pressure built up in the fuel system and to avoid the heat from the muffler igniting fuel vapors.

⚠ DANGER ⚠ DANGER ⚠ PELIGRO



Risk of Fire. Check for any fuel overflow or leaking. Stop the engine before refueling.
Risque d'incendie. Vérifier l'absence de débordement ou de fuite de carburant. Arrêter le moteur avant de faire le plein.
Riesgo de incendio. Revise si hay algún derrame o fuga de combustible. Apague el motor antes de poner combustible.

940974007-04

⚠ DANGER ⚠ PELIGRO



Add lubricant to full mark to start. Engine will not start or will shut off if sensor detects low lubricant level.
Ajouter de lubrifiant jusqu'au repère de remplissage pour démarrer. Le moteur ne démarre pas ou s'éteint si le capteur détecte le niveau de lubrifiant faible.
Añada lubricante hasta la marca de lleno para arrancar. El motor no arranca o se apaga si sensor detecta el nivel de lubricante de baja.

940708019-03

CHECK LUBRICANT




⚠ WARNING ⚠ AVERTISSEMENT ⚠ ADVERTENCIA



Product does not include ground rod or copper wire. Call a certified electrician for local grounding requirements.
Le produit ne comprend pas de piquet de terre ou de fil en cuivre. Appeler un électricien certifié pour connaître les exigences locales de mise à la terre.
El producto no incluye el ealambre de cobre ni la barra de conexión a tierra. Comuníquese con un electricista certificado para todo lo relacionado con los requisitos de conexión a tierra.


940513029-01

⚠ WARNING
HOT SURFACE
⚠ AVERTISSEMENT
SURFACES CHAUDE
⚠ ADVERTENCIA
SUPERFICIES CALIENTE



940680027-04

⚠ DANGER ⚠ DANGER ⚠ PELIGRO



Risk of Fire. Keep all objects at least 3 feet away from this machine. Heat from Muffler and Exhaust gases can ignite combustible objects.
Risque d'incendie. Éloigner tous les objets au moins de 91,4 cm (3 pi) de cet appareil. La chaleur du pot d'échappement et les gaz d'échappement peuvent enflammer les objets combustibles.
Riesgo de incendio. Mantener todos los objetos a una distancia mínima de 91,4 cm (3 pies) de esta máquina. El calor de los gases del silenciador y el escape pueden prender fuego a objetos combustibles.

940974089-02

⚠ WARNING Operation of this equipment may create sparks that can start fires around dry vegetation. A spark arrestor may be required. The operator should contact local fire agencies for laws or regulations relating to fire prevention requirements.

⚠ AVERTISSEMENT L'utilisation de cet équipement peut créer des étincelles susceptibles d'enflammer la végétation sèche. Il peut être nécessaire d'utiliser un pare-étincelles. L'utilisateur doit communiquer avec le service local d'incendie pour connaître toutes les lois et tous les règlements portant sur les exigences en matière de prévention des incendies.

⚠ ADVERTENCIA El uso de este equipo puede producir chispas propensas a iniciar incendios cerca de vegetación seca. Es posible que se necesite un parachispas. El operador debe ponerse en contacto con las agencias contra incendios locales para conocer las leyes y regulaciones relacionadas con los requisitos de prevención de incendios.

940947003-03

⚠ DANGER

RISK OF FIRE AND SERIOUS BURNS: Never remove fuel cap when unit is running. Shut off engine and allow the unit to cool at least five minutes. Remove cap slowly.

USE FUEL STABILIZER FOR STORAGE



⚠ DANGER ⚠ PELIGRO

RISQUE D'INCENDIE ET DE BLESSURES GRAVES : Ne jamais retirer le capuchon du réservoir d'essence pendant que l'appareil fonctionne. Éteindre le moteur et laisser refroidir l'appareil pendant au moins cinq minutes. Retirer lentement le capuchon.

RIESGO DE INCENDIOS Y LESIONES POR QUEMADURAS: Nunca retire la tapa de combustible mientras esté encendida la unidad. Apague el motor y deje enfriar la unidad durante al menos cinco minutos. Retire la tapa lentamente.

UTILISEZ UN STABILISATEUR DE CARBURANT POUR LE STOCKAGE
EL USO DEL ESTABILIZADOR DE COMBUSTIBLE PARA EL ALMACENAMIENTO



ELECTRICAL

EXTENSION CORD CABLE SIZE

Refer to the table below to ensure the cable size of the extension cords you use are capable of carrying the required load. Inadequate size cables can cause a voltage drop, which can burn out the appliance and overheat the cord.

Current in Amperes	Load in Watts		Maximum Allowable Cord Length				
	At 120V	At 240V	#8 Wire	#10 Wire	#12 Wire	#14 Wire	#16 Wire
2.5	300	600		1000 ft.	600 ft.	375 ft.	250 ft.
5	600	1200		500 ft.	300 ft.	200 ft.	125 ft.
7.5	900	1800		350 ft.	200 ft.	125 ft.	100 ft.
10	1200	2400		250 ft.	150 ft.	100 ft.	50 ft.
15	1800	3600		150 ft.	100 ft.	65 ft.	
20	2400	4800	175 ft.	125 ft.	75 ft.		
25	3000	6000	150 ft.	100 ft.			
30	3600	7200	125 ft.	65 ft.			
40	4800	9600	90 ft.				

ELECTRIC MOTOR LOADS

It is characteristic of common electric motors in normal operation to draw up to six times their running current while starting. This table may be used to estimate the watts required to start electric motors; however, if an electric motor fails to start or reach running speed, turn off the appliance or tool immediately to avoid equipment damage. Always check the requirements of the tool or appliance being used compared to the rated output of the generator.

Motor Size (H.P.)	Running Watts	Watts Required to Start Motor		
		Universal	Capacitor	Split Phase
1/8	275	N/A	850	1200
1/6	275	600	850	2050
1/4	400	800	1050	2400
1/3	450	950	1350	2700
1/2	600	1000	1800	3600
3/4	850	1200	2600	—
1	1100	N/A	3300	—

NOTICE:

Operating voltage and frequency requirement of all electronic equipment should be checked prior to plugging them into this generator. Damage may result if the equipment is not designed to operate within a +/- 10% voltage variation, and +/- 3 hz frequency variation from the generator name plate ratings. To avoid damage, always have an additional load plugged into the generator if solid state equipment (such as a television set) is used. A power line conditioner is recommended for some solid state applications.

ELECTRICAL

GENERATOR CAPACITY

Make sure the generator can supply enough continuous (running) and surge (starting) watts for the items you will power at the same time. Follow these simple steps.

1. Select the items you will power at the same time.
2. Total the continuous (running) watts of these items. This is the amount of power the generator must produce to keep the items running. See the wattage reference chart at right.
3. Estimate how many surge (starting) watts you will need. Surge wattage is the short burst of power needed to start electric motor-driven tools or appliances such as a circular saw or refrigerator. Because not all motors start at the same time, total surge watts can be estimated by adding only the item(s) with the highest additional surge watts to the total rated watts from step 2.

Example:

Tool or Appliance	Running Watts*	Starting Watts*
RV Air Conditioner (11,000 BTU)	1010	1600
TV (Tube Type)	300	0
RV Refrigerator	180	600
Radio	200	0
Light (75 Watts)	300	0
Coffee Maker	600	0
	2590 Total Running Watts	1600 Highest Starting Watts
	Total Running Watts	2590
	Highest Starting Watts	+ 1600
	Total Starting Watts Needed	4190

POWER MANAGEMENT

To prolong the life of the generator and attached devices, it is important to take care when adding electrical loads to the generator. There should be nothing connected to the generator outlets before starting its engine. The correct and safe way to manage generator power is to sequentially add loads as follows:

1. With nothing connected to the generator, start the engine as described later in this manual.
2. Plug in and turn on the first load, preferably the largest load you have.
3. Permit the generator output to stabilize (engine runs smoothly and attached device operates properly).
4. Plug in and turn on the next load.
5. Again, permit the generator to stabilize.
6. Repeat steps 4 and 5 for each additional load.

Never add more loads than the generator capacity. Take special care to consider surge loads in generator capacity as previously described.

NOTICE:

Do not overload the generator's capacity. Exceeding the generator's wattage/ampere capacity may damage the generator and/or electrical devices connected to it.

Tool or Appliance	Estimated Running Watts*	Estimated Starting Watts*
Home / Emergency		
Incandescent Lights (4 Quantity x 75 Watts)	300	0
TV (Tube Type)	300	0
Sump Pump (1/3 hp)	800	1300
Refrigerator or Freezer	700	2200
Well Pump (1/3 hp)	1000	2000
Furnace (1/2 hp)	800	2350
Radio	200	0
Tools		
Drill (3/8", 4 amps)	440	600
Circular Saw (Heavy Duty, 7-1/4")	1400	2300
Recip Saw	960	960
Miter Saw (10")	1800	1800
Table Saw (10")	2000	2000

*Wattages listed are approximate. Check tool or equipment for actual wattage.

FEATURES

PRODUCT SPECIFICATIONS

ENGINE

Engine Type	212cc OHV
Spark Plug	NGK BP6ES or equivalent
Engine Lubricant Volume.....	approximately 20 oz.
Fuel Volume	4 gal.

**Rated output determined by PGMA Standard G300*

GENERATOR

Rated Voltage	120 V
Rated Amps.....	30 A
Rated Output*	3600 W
Starting Watts.....	4500 W
Rated Frequency	60 Hz

KNOW YOUR GENERATOR

See Figure 1.

The safe use of this product requires an understanding of the information on the product and in this operator's manual as well as a knowledge of the project you are attempting. Before use of this product, familiarize yourself with all operating features and safety rules.

AC CIRCUIT BREAKERS

The circuit breakers are provided to protect the generator against electrical overload. The circuit breaker may be reset by pressing the circuit breaker reset button.

AIR FILTER

The air filter helps to limit the amount of dirt and dust drawn into the unit during operation.

ENGINE SWITCH/FUEL VALVE/ CHOKE LEVER

The engine switch/fuel valve/choke lever is used when starting, stopping, and running the engine.

FUEL TANK

The fuel tank has a capacity of 4 gallons.

GROUND TERMINAL

The ground terminal is used to assist in properly grounding the generator to help protect against electrical shock. Consult with a qualified local electrician for grounding requirements in your area.

LOW OIL SHUT DOWN PROTECTOR

The low oil sensor causes the engine to stop if the level of lubricant in the crankcase is insufficient.

OIL CAP/DIPSTICK

Remove the oil fill cap to check and add lubricant to the generator when necessary.

OIL DRAIN PLUG

When changing the engine lubricant, unscrew and remove the oil drain plug to allow old engine lubricant to be drained.

RECEPTACLES

Your generator has the following single phase, 60 Hz outlets: two 120 Volt AC, 20 Amp duplex receptacles and one 120 Volt AC 30 Amp RV receptacle. These can be used for operating appropriate appliances, electrical lighting, tools, and motor loads.

RECOIL STARTER GRIP

The recoil starter grip is used to start the generator's engine.

ASSEMBLY

UNPACKING

This product requires assembly.

- Carefully cut the box down the sides then remove the machine and any accessories from the box. Make sure that all items listed in the loose parts list are included.

NOTE: This machine is heavy and requires a minimum of two people to lift. To avoid back injury, lift with your legs and not your back.

WARNING:

Do not use this product if any parts on the Loose Parts List are already assembled to your product when you unpack it. Parts on this list are not assembled to the product by the manufacturer and require customer installation. Use of a product that may have been improperly assembled could result in serious personal injury.

- Inspect the unit carefully to make sure no damage occurred during shipping.
- Do not discard the packing material until you have carefully inspected and satisfactorily operated the product.
- If any parts are damaged or missing, please call 1-800-860-4050 for assistance.

WARNING:

If any parts are damaged or missing do not operate this product until the parts are replaced. Use of this product with damaged or missing parts could result in serious personal injury.

WARNING:

Do not attempt to modify this product or create accessories not recommended for use with this product. Any such alteration or modification is misuse and could result in a hazardous condition leading to possible serious personal injury.

WARNING:

Do not attempt to operate the generator until assembly is complete. Failure to comply could result in possible serious personal injury.

LOOSE PARTS LIST

See Figure 2.

The following items are included with the generator:

Key

No.	Description	Qty.
1	Axle.....	2
2	Wheel.....	2
3	Washer.....	2
4	Hitch Pin.....	2
5	Bolt.....	2
6	Rubber Foot.....	2
7	Lock Nut.....	2
8	Bottle of Engine Lubricant.....	1
	Operator's Manual (not shown).....	1

TOOLS NEEDED

See Figure 3.

The following tools (not included or drawn to scale) are needed for assembly:

- Socket Wrenches
- Adjustable Wrench

NOTE: Do not put fuel or lubricant in the generator before installing the feet and wheels.

INSTALLING FEET

See Figure 4.

- Locate the following items:
 - 2 rubber feet
 - 2 lock nuts
 - 2 bolts
- Insert bolt through rubber foot, then through the cross brace as shown.
- Thread lock nut onto bolt and tighten one full turn past snug.

NOTE: Be careful not to overtighten so that foot material collapses.

- Repeat with remaining foot.

ASSEMBLY

INSTALLING THE WHEELS

See Figure 5.

Wheels are provided to assist in moving the generator to the desired location and should be installed on the same side as the handle.

- Locate the following items:
 - 2 axles
 - 2 hitch pins
 - 2 washers
 - 2 wheels

- Raise the end of the generator where the handle is located high enough to gain access to the frame bottom; securely position props underneath to support.
- Slide the axle through the hole in the center of the wheel.
- Slide a washer onto the axle, then slide the axle into the wheel mounting hole as shown.
- Insert hitch pin to secure.
 - NOTE:** The hitch pin should be pushed into the axle until the center of the pin rests on top of the axle.
- Repeat with the second wheel.

OPERATION

DANGER:

Carbon Monoxide. Using a generator indoors CAN KILL YOU IN MINUTES.

Generator exhaust contains high levels of carbon monoxide (CO), a poisonous gas you cannot see or smell. If you can smell the generator exhaust, you are breathing CO. But even if you cannot smell the exhaust, you could be breathing CO.

- Never use a generator inside homes, garages, crawl-spaces, or other partly enclosed areas. Deadly levels of carbon monoxide can build up in these areas. Using a fan or opening windows and doors does NOT supply enough fresh air.
- ONLY use a generator outdoors and far away from open windows, doors, and vents. These openings can pull in generator exhaust.

Even when you use a generator correctly, CO may leak into the home. ALWAYS use a battery-powered or battery-backup CO alarm in the home.

If you start to feel sick, dizzy, or weak after the generator has been running, move to fresh air RIGHT AWAY. See a doctor. You could have carbon monoxide poisoning.

WARNING:

If this generator will be used **only** with cord and plug-connected equipment, National Electric Code does not require that the unit be grounded. However, other methods of using the generator may require grounding to reduce the risk of shock or electrocution. Consult a qualified electrician, electrical inspector, or local agency having jurisdiction for local codes or ordinances to find out if grounding is needed in your situation before using the generator.

WARNING:

Do not allow familiarity with this product to make you careless. Remember that a careless fraction of a second is sufficient to inflict serious injury.

WARNING:

Do not use any attachments or accessories not recommended by the manufacturer of this product. The use of attachments or accessories not recommended can result in serious personal injury.

NOTICE:

This product is equipped with a spark arrestor that has been evaluated by the USDA Forest Service; however, product users must comply with Federal, State, and local fire prevention regulations. Check with appropriate authorities. Contact customer service or a qualified service center to purchase a replacement spark arrestor.

NOTICE:

Before each use, inspect the entire product for damaged, missing, or loose parts such as screws, nuts, bolts, caps, etc. Tighten securely all fasteners and caps and do not operate this product until all missing or damaged parts are replaced. Please contact customer service or a qualified service center for assistance.

APPLICATIONS

This generator is designed to supply electrical power for operating compatible electrical lighting, appliances, tools, and motor loads.

OPERATION

BEFORE OPERATING THE UNIT

- Only use OUTSIDE and at least 20 feet away from windows, doors, and vents as recommended by the U.S. Department of Health and Human Services Centers for Disease Control and Prevention. Your specific home and/or wind conditions may require additional distance.
- NEVER use inside a home or garage, EVEN IF doors and windows are open.
- Always position the generator on a flat firm surface.

SPECIAL REQUIREMENTS:

There may be General or State Occupational Safety and Health Administration (OSHA) regulations, local codes or ordinances that apply to the intended use of the generator.

Please consult a qualified electrician, electrical inspector, or the local agency having jurisdiction:

- In some areas, generators are required to be registered with local utility companies.
- If the generator is used at a construction site, there may be additional regulations which must be observed.

RAISING AND LOWERING THE HANDLE

See Figure 6.

- To raise the handle (for moving the generator): pull the handle release knob out, raise the handle, then release the knob so it snaps into the locking position. Insert the handle lock pin to secure the handle in place.
- To lower the handle (for storing or transporting the generator): pull the handle release knob out and lower the handle to the down position.

Never use the handle to lift the generator. The handle should only be used for moving the unit by rolling it on its wheels.

CHECKING/ADDING LUBRICANT

See Figure 7.

NOTICE:

Attempting to start the engine before it has been properly filled with lubricant will result in equipment failure.

NOTE: If a separate engine manual is provided for this product, please follow the instructions provided in the engine manual instead of the information listed below.

Engine lubricant has a major influence on engine performance and service life. For general, all-temperature use, SAE 10W-30 is recommended. Always use a 4-stroke motor lubricant that meets or exceeds the requirements for API service classification SJ.

This engine comes with a feature that will shut off the engine when a specific lubricant level is not maintained. The engine will not restart until an appropriate lubricant level is reached.

NOTE: Non-detergent or 2-stroke engine lubricants will damage the engine and should not be used.

- Unscrew the oil cap/dipstick and remove.

- Wipe dipstick clean and re-seat in hole; do not re-thread.
- Remove dipstick again and check lubricant level. Lubricant level should fall between the hatched areas on the dipstick.
- If level is low, add engine lubricant until the fluid level rises to the upper portion of the dipstick.
- Replace and secure the oil cap/dipstick.

USING FUEL STABILIZER

Fuel gets old, oxidizes, and breaks down over time. Adding a fuel stabilizer (not included) extends the usable life of fuel and helps prevent deposits from forming that can clog the fuel system. Follow fuel stabilizer manufacturer's directions for correct ratio of stabilizer to fuel.

- Mix fuel stabilizer and gasoline prior to filling the tank by using a gas can or other approved fuel container and shaking gently to combine.

NOTE: To control the amount of fuel stabilizer being added to the engine, always mix fuel stabilizer with gasoline before fueling the tank rather than adding fuel stabilizer directly into the generator's fuel tank.

- Replace and secure the fuel tank cap.
- Start and run the engine for at least 5 minutes to allow stabilizer to treat the entire fuel system.

ETHANOL-BLENDED FUELS

NOTICE:

Do not use E15 or E85 fuel in this product. It is a violation of federal law and will damage the unit and void your warranty. Only use unleaded gasoline containing up to 10% ethanol.

CHECKING/ADDING FUEL

See Figure 8.

DANGER:

Risk of fire and serious burns: Never remove fuel cap when unit is running. Shut off engine and allow the unit to cool at least five minutes. Remove cap slowly.

WARNING:

Gasoline and its vapors are highly flammable and explosive. To prevent serious personal injury and property damage, handle gasoline with care. Keep away from ignition sources, handle outdoors only, do not smoke while adding fuel, and wipe up spills immediately.

When adding gas to the generator, make sure the unit is sitting on a flat, level surface. If the engine is hot, let the generator cool for five minutes before adding gas. ALWAYS fill the fuel tank outdoors with the machine turned off.

OPERATION

- Remove the fuel cap slowly.
- Fill the fuel tank to 1 in. below the top of the fuel neck.
- Replace and secure the fuel cap.



WARNING:

Always shut off engine before fueling. Never remove fuel cap or add fuel to a machine with a running or hot engine. Make sure the unit is sitting on a flat, level surface and only add fuel outdoors. If the engine is hot, let the unit cool for at least five minutes before adding fuel. After fueling, immediately replace fuel cap and tighten securely. Move at least 30 ft. from refueling site before starting engine. Do not smoke and stay away from open flames and sparks! Failure to follow these instructions could result in a fire and cause serious personal injury.

NOTE: Always use unleaded gasoline with a pump octane rating of 86 or higher. Never use old, stale, or contaminated gasoline, and do not use an oil/gas mixture. Do not allow dirt or water into the fuel tank. **Do not use E85 fuel.**

STARTING THE ENGINE

See Figures 9 - 11.

NOTICE:

On a level surface with the engine off, check the lubricant level before each use of the generator.

NOTE: If location of generator is not level, the unit may not start or may shut down during operation.

- Unplug all loads from the generator.
- Move the engine switch/fuel valve/choke lever to the **START** position.

NOTE: If engine is warm or the temperature is above 50°F, move the engine switch/fuel valve/choke lever to the **RUN** position.

- Pull the recoil starting grip until the engine runs.
NOTE: Do not allow the grip to snap back after starting; return it gently to its original place.
- Allow the engine to run for 15–30 seconds, then move the engine switch/fuel valve/choke lever to the **RUN** position.

STOPPING THE ENGINE

See Figure 10.

To stop the engine under normal operating conditions:

- Remove any load from the generator.
- Move the engine switch/fuel valve/choke lever to the **OFF** position.

To stop the unit quickly in an emergency:

- Move the engine switch/fuel valve/choke lever to the **OFF** position.



WARNING:

While operating and storing, keep at least 3 feet of clearance on all sides of this product, including overhead. Allow a minimum of 30 minutes of “cool down” time before storage. Heat created by muffler and exhaust gases could be hot enough to cause serious burns and/or ignite combustible objects.

MOVING THE GENERATOR

See Figure 12.

- Turn off the generator.
- Raise the handle to the up position.
- Disconnect any equipment that is plugged into the generator.
- Verify the engine switch/fuel valve/choke lever is in the **OFF** position.
- Allow 30 minutes of “cool down” time before storing the machine. Make sure engine and exhaust of unit are cool.
- With your foot on the rear of the frame, tilt the machine toward you until it balances on the wheels, then roll the machine to the desired location.

OPERATION

LIFTING THE GENERATOR

See Figure 13.

- Turn off the generator.
- Fold the handle to the down position. Never lift or carry this product using the handle.

NOTE: This tool is heavy and requires several people to lift. To avoid back injury, keep your knees bent and lift with your legs, not your back, and get help when needed.

HIGH ALTITUDE OPERATION

Your engine is configured for operation below 2,000 feet altitude at the factory. Your engine must be reconfigured for operation above 2,000 feet altitude. Operating the engine with the wrong engine configuration at a given altitude may increase its emissions, decrease fuel efficiency, degrade performance, and cause irreversible damage. Engines configured for high altitude operation cannot be operated in standard altitude conditions. A qualified service center should ensure that your engine is properly configured for your location.

MAINTENANCE

Normal maintenance, replacement or repair of emission control devices and systems may be performed by any qualified repair establishment or individual with original or equivalent parts. Warranty and recall repairs must be performed by an authorized service center; please contact customer service for assistance.



WARNING:

Before inspecting, cleaning or servicing the machine, shut off engine, wait for all moving parts to stop, and disconnect spark plug wire and move it away from spark plug. Allow 30 minutes of cool down time before performing any maintenance. Failure to follow these instructions can result in serious personal injury or property damage.



WARNING:

When servicing, use only recommended or equivalent replacement parts. Use of any other parts can create a hazard or cause product damage.

NOTICE:

Periodically inspect the entire product for damaged, missing, or loose parts such as screws, nuts, bolts, caps, etc. Tighten securely all fasteners and caps and do not operate this product until all missing or damaged parts are replaced. Please contact customer service or a qualified service center for assistance.

GENERAL MAINTENANCE

Keep the generator in a clean and dry environment where it is not exposed to dust, dirt, moisture, or corrosive vapors. Do not allow the cooling air slots in the generator to become clogged with foreign material such as leaves, etc.

Do not use a garden hose to clean the generator. Water entering the fuel system or other internal parts of the unit can cause problems that will decrease the life of the generator.

To clean the unit:

- Use a soft bristle brush and/or vacuum cleaner to loosen and remove dirt and debris.
- Clean air vents with low pressure air that does not exceed 25 psi.
- Wipe the exterior surfaces of the generator with a damp cloth.

CHECKING/CLEANING AIR FILTER

See Figure 14.

For proper performance and long life, keep air filter clean.

- Rotate knob counterclockwise to release. Remove cover and set aside.
- Remove the filter element.
- If the filter element is dirty, clean with warm, soapy water. Rinse and let dry.
- Apply a light coat of engine lubricant to the element, then squeeze it out.
- Replace the element in the air filter unit.
- Replace the air filter cover and rotate knob clockwise to secure.

NOTE: Do not run the generator without the air filter. Rapid engine wear will result.

CHANGING ENGINE LUBRICANT

See Figure 15.

- Remove the oil cap/dipstick.
- Place a container underneath the oil drain plug to collect used lubricant as it drains.
- Unscrew the oil drain plug and remove.
- Allow lubricant to drain completely.

NOTE: Drain the lubricant while the engine is still warm but not hot. Warm lubricant will drain quickly and more completely.

MAINTENANCE

WARNING:

Do not change engine lubricant while it is hot. Accidental contact with hot engine lubricant could result in serious burns.

- Reinstall the oil drain plug and tighten securely.
- Refill with lubricant following the instructions in the **Checking/Adding Lubricant** section. For amount of lubricant needed to refill, see **Product Specifications** earlier in this manual or the accompanying engine manual, if applicable.
- Reinstall the oil cap/dipstick.

NOTE: Used lubricant should be disposed of at an approved disposal site. See your local oil retailer for more information.

SPARK PLUG MAINTENANCE

See Figure 16.

The spark plug must be properly gapped and free of deposits in order to ensure proper engine operation. To check:

- Remove the spark plug cap.
- Clean any dirt from around base of spark plug.
- Remove spark plug using wrench (not included).
- Inspect spark plug for damage, and clean with a wire brush before reinstalling. If insulator is cracked or chipped, spark plug should be replaced. For replacement spark plug, see **Product Specifications** earlier in this manual or the accompanying engine manual, if applicable.
- Measure plug gap. The correct gap is 0.028–0.031 in. (0.7–0.8 mm). To widen gap, if necessary, carefully bend the ground (top) electrode. To lessen gap, gently tap ground electrode on a hard surface.
- Seat spark plug in position; thread in by hand to prevent cross-threading.
- Tighten with wrench to compress washer. If spark plug is new, use 1/2 turn to compress washer appropriate amount. If reusing old spark plug, use 1/8 to 1/4 turn for proper washer compression.

NOTE: An improperly tightened spark plug will become very hot and could damage the engine.

CLEANING THE EXHAUST PORT AND MUFFLER

Depending on the type of fuel used, the type and amount of lubricant used, and/or your operating conditions, the exhaust port and muffler may become blocked with carbon deposits. If you notice a power loss with your gas-powered products, you may need to remove these deposits to restore performance. We highly recommend that only qualified service technicians perform this service.

SPARK ARRESTOR

See Figure 17.

NOTICE:

This product is equipped with a spark arrestor that has been evaluated by the USDA Forest Service; however, product users must comply with Federal, State, and local fire prevention regulations. Check with appropriate authorities. Contact customer service or a qualified service center to purchase a replacement spark arrestor.

- Inspect the spark arrestor screen for breaks or holes. Replace if necessary.
- Use a brush (not provided) to remove carbon deposits from the spark arrestor screen as needed.

DRAINING FUEL TANK/CARBURETOR

See Figures 18 - 19.

To help prevent gum deposits in the fuel system, drain the fuel from the tank and carburetor before storing.

DRAINING THE FUEL TANK

- Place the engine switch/fuel valve/choke lever in the **OFF** position.
- Remove the fuel line from the hose barb by squeezing the ends of the retaining clip and sliding the fuel line off.
NOTE: Make sure you are removing the fuel line that runs between the fuel valve and the carburetor, **NOT** the line that runs between the fuel valve and the fuel tank.
- Install one end of a drain line (not provided) over the hose barb, and place the other end in a fuel container large enough to catch the fuel being drained from the tank.
- Place the engine switch/fuel valve/choke lever in the **RUN** position.
- When the fuel has drained from the tank, place the engine switch/fuel valve/choke lever in **OFF** position and reinstall fuel line securely onto the hose barb.

DRAINING THE CARBURETOR

- Place the engine switch/fuel valve/choke lever in the **OFF** position.
- Position a suitable container under the carburetor drain screw to catch fuel; loosen the screw.
- Allow fuel to drain completely into container.
- Retighten drain screw.

NOTE: Consult hazardous waste management guidelines in your area for the proper way to dispose of used fuel.

MAINTENANCE

REPLACING FUEL FILTER

See Figure 20.

Occasionally the fuel filter may become clogged and need to be replaced. To purchase a replacement fuel filter, contact customer service or a qualified service center.

NOTE: Fuel tank must be empty before replacing fuel filter. Run unit until tank is empty, if needed, or inspect filter prior to fill-up.

- Place the engine switch/fuel valve/choke lever in the **OFF** position.
- Remove the fuel line from both sides of the filter by squeezing the ends of the retaining clip with pliers.
- Slide the fuel line off.
- Replace with new fuel filter.
- Reinstall fuel lines to new fuel filter.

TRANSPORTING

- Verify the engine switch/fuel valve/choke lever is in the **OFF** position.
- Allow 30 minutes of “cool down” time before storing the machine. Make sure engine and exhaust of unit are cool.
- Do not drop or strike unit or place under heavy objects.
- If transporting in a vehicle, drain the fuel tank and securely restrain the generator.
- Provide a plastic sheet or absorbent pad below the generator to catch any drips of fuel or lubricant.

STORAGE

When preparing the generator for storage, allow the unit to cool for 30 minutes then follow the guidelines below.

STORAGE TIME	PRIOR TO STORING
Less than 2 months	<ul style="list-style-type: none"> ■ Drain gasoline from tank and dispose of in a suitable container according to state and local ordinances.
2 months to 1 year	<ul style="list-style-type: none"> ■ Drain fuel from carburetor. ■ Drain gasoline from tank and dispose of in a suitable container according to state and local ordinances.
1 year or more	<ul style="list-style-type: none"> ■ Drain fuel from the carburetor. ■ Remove spark plug. ■ Drain gasoline from tank and dispose of in a suitable container according to state and local ordinances. ■ Put a tablespoon of engine lubricant into the spark plug cylinder. Turn the engine slowly with the pull rope to distribute the lubricant. ■ Reinstall spark plug. ■ Change engine lubricant. <p>After removal from storage:</p> <ul style="list-style-type: none"> ■ Fill with fresh gasoline.

NOTE: If storing gasoline in suitable container for later use, make sure gasoline has been treated with fuel stabilizer according to stabilizer manufacturer’s instructions.

MAINTENANCE

MAINTENANCE SCHEDULE

NOTE: If a separate engine manual is provided for this generator, please follow the maintenance schedule provided in the engine manual instead of the maintenance information listed below.

	Before each use	After 1st month or 20 hours of operation	Every 3 months or 50 hours of operation	Every 6 months or 100 hours of operation	Every year or after 300 hours of operation
Check Engine Lubricant	■				
Change Engine Lubricant ²		■		■	
Check Air Filter	■				
Clean Air Filter			■		
Change Air Filter ²					■
Check/Adjust Spark Plug				■	
Replace Spark Plug ²					■
Check/Clean Spark Screen				■	
Check/Adjust Idle Speed					■
Check/Adjust Valve Clearance ^{1,2}					■
Clean Fuel Tank and Filter ^{1,2}				■	
Check Fuel Hose	■				■
Fuel Filter	Inspect				Replace
Check All Hose Connections	■				■
Inspect Fuel Tank Vapor Vent (If Equipped)	■				■
Inspect Carbon Canister (CARB Models Only)	■				■

1. These items should only be carried out by a qualified service center.

2. See engine manual for maintenance schedule for this item.

NOTE: Maintenance should be performed more frequently when generator is used in dusty areas.

When generator has exceeded the maximum figures specified in the table, maintenance should still be cycled according to the intervals of time or hours stated herein.

TROUBLESHOOTING

PROBLEM	POSSIBLE CAUSE	SOLUTION
Engine will not start.	No fuel. Stale gasoline or water in gasoline. Lubricant level is low. Spark plug faulty, fouled, or improperly gapped. Engine switch/fuel valve/choke lever is in OFF or RUN position. Engine stored without treating or draining gasoline, or refueled with bad gasoline. Dirty fuel filter.	Fill fuel tank. Drain entire system and refill with fresh fuel. Engine is equipped with Low Oil Shutoff. If engine lubricant level is low, it must be filled before unit will start. Check engine lubricant level and fill, if necessary. Replace spark plug. Move engine switch/fuel valve/choke lever to START position. Drain fuel and carburetor. Refuel with fresh gasoline. Replace fuel filter or contact a qualified service center.
Engine hard to start.	Water in gasoline. Weak spark at spark plug.	Drain entire system and refill with fresh fuel. Replace spark plug or contact a qualified service center.
Engine lacks power.	Dirty air filter. Engine stored without treating or draining gasoline, or refueled with bad gasoline.	Check air filter element. Clean or replace as needed. Drain fuel and carburetor. Refuel with fresh gasoline.
AC receptacle does not work.	Circuit breaker is tripped. Item plugged in is defective.	Reset the AC circuit breaker. Try a different item.
Generator makes a “spark knock” or “pinging” noise.	An occasional light “knocking” or “pinging” under heavy load is not a cause for concern. However, if the knocking or pinging occurs under normal load at a steady engine speed, the problem may be with the brand of gasoline being used.	Switch to a different brand of gasoline, making sure that the octane rating is 86 or higher. If problem continues, contact a qualified service center.

If problem persists after trying the above solutions, contact customer service or a qualified service center for assistance.

NOTICE:

As the equipment owner, you are responsible for the performance of the required maintenance listed in the *Maintenance* section. It is recommended that you retain all receipts covering maintenance on your equipment. Neglecting or failing to perform the required maintenance may increase emissions, decrease fuel efficiency, degrade performance, cause irreversible engine damage and/or void your warranty.

WARRANTY

LIMITED WARRANTY STATEMENT

Techtronic Industries North America, Inc., warrants to the original retail purchaser that this RYOBI™ brand outdoor product is free from defect in material and workmanship and agrees to repair or replace, at Techtronic Industries North America, Inc.'s, discretion, any defective product free of charge within these time periods from the date of purchase.

- Three years if the product is used for personal, family or household use;
- 90 days, if used for any other purpose, such as commercial or rental.

This warranty extends to the original retail purchaser only and commences on the date of the original retail purchase.

Any part of this product found in the reasonable judgment of Techtronic Industries North America, Inc. to be defective in material or workmanship will be repaired or replaced without charge for parts and labor by an authorized service center for RYOBI™ brand outdoor products (Authorized Ryobi Service Center).

The product, including any defective part, must be returned to an authorized Ryobi service center within the warranty period. The expense of delivering the product to the service center for warranty work and the expense of returning it back to the owner after repair or replacement will be paid by the owner. Techtronic Industries North America, Inc.'s, responsibility in respect to claims is limited to making the required repairs or replacements and no claim of breach of warranty shall be cause for cancellation or rescission of the contract of sale of any RYOBI™ brand outdoor product. Proof of purchase will be required by the dealer to substantiate any warranty claim. All warranty work must be performed by an authorized service center.

This warranty is limited to ninety (90) days from the date of original retail purchase for any RYOBI™ brand outdoor product that is used for rental or commercial purposes, or any other income-producing purpose.

This warranty does not cover any product that has been subject to abuse, misuse, neglect, negligence, accident, the effects of corrosion or erosion, or that has been operated in any way contrary to the operating instructions as specified in this operator's manual. This warranty does not apply to any damage to the product that is the result of improper maintenance or to any product that has been altered or modified. The warranty does not extend to repairs made necessary by normal wear or by the use of parts or accessories which are either incompatible with the RYOBI™ brand outdoor product or adversely affect its operation, performance, or durability.

In addition, this warranty does not cover:

Tune-ups – Spark Plugs, Carburetor, Carburetor Adjustments, Ignition, Filters, Oil Change

Wear items – Recoil Starter Rope, Motor Brushes, Alternator Brushes, Cotter Pins, Wheels, a High Pressure Hose,

Spray Wand, Nozzles, Trigger Handle, Supply Hoses, Quick Couplers, Gaskets, Valves, Pistons, Pump Valve Assemblies, O-Rings, Water and Oil Seals, Detergent Tanks.

IMPORTANT: Some components not covered under this warranty may still be covered by a separate warranty issued by the engine manufacturer. Please see the Engine Manufacturer Warranty (if any) supplied with this product for further details.

The Company will not pay for repairs or adjustments to the Product, or for any costs or labor, performed without the Company's prior authorization.

Techtronic Industries North America, Inc., reserves the right to change or improve the design of any RYOBI™ brand outdoor product without assuming any obligation to modify any product previously manufactured.

ALL IMPLIED WARRANTIES ARE LIMITED IN DURATION TO THE STATED WARRANTY PERIOD. ACCORDINGLY, ANY SUCH IMPLIED WARRANTIES INCLUDING MERCHANTABILITY, FITNESS FOR A PARTICULAR PURPOSE, OR OTHERWISE, ARE DISCLAIMED IN THEIR ENTIRETY AFTER THE EXPIRATION OF THE APPROPRIATE THREE-YEAR OR NINETY-DAY WARRANTY PERIOD. TECHTRONIC INDUSTRIES NORTH AMERICA, INC.'S, OBLIGATION UNDER THIS WARRANTY IS STRICTLY AND EXCLUSIVELY LIMITED TO THE REPAIR OR REPLACEMENT OF DEFECTIVE PARTS AND TECHTRONIC INDUSTRIES NORTH AMERICA, INC., DOES NOT ASSUME OR AUTHORIZE ANYONE TO ASSUME FOR THEM ANY OTHER OBLIGATION. SOME STATES DO NOT ALLOW LIMITATIONS ON HOW LONG AN IMPLIED WARRANTY LASTS, SO THE ABOVE LIMITATION MAY NOT APPLY TO YOU. TECHTRONIC INDUSTRIES NORTH AMERICA, INC., ASSUMES NO RESPONSIBILITY FOR INCIDENTAL, CONSEQUENTIAL, OR OTHER DAMAGES INCLUDING, BUT NOT LIMITED TO, EXPENSE OF RETURNING THE PRODUCT TO AN AUTHORIZED RYOBI SERVICE CENTER AND EXPENSE OF DELIVERING IT BACK TO THE OWNER, MECHANIC'S TRAVEL TIME, TELEPHONE OR TELEGRAM CHARGES, RENTAL OF A LIKE PRODUCT DURING THE TIME WARRANTY SERVICE IS BEING PERFORMED, TRAVEL, LOSS OR DAMAGE TO PERSONAL PROPERTY, LOSS OF REVENUE, LOSS OF USE OF THE PRODUCT, LOSS OF TIME, OR INCONVENIENCE. SOME STATES DO NOT ALLOW THE EXCLUSION OR LIMITATION OF INCIDENTAL OR CONSEQUENTIAL DAMAGES, SO THE ABOVE LIMITATION OR EXCLUSION MAY NOT APPLY TO YOU.

This warranty gives you specific legal rights, and you may also have other rights which vary from state to state.

This warranty applies this Ryobi™ brand outdoor product manufactured by or for Techtronic Industries North America, Inc., and sold in the United States and Canada.

To locate your nearest Authorized Ryobi Service Center, dial 1-800-860-4050.

WARRANTY

LIMITED ENGINE WARRANTY

DUCAR Corporation will repair or replace, free of charge, any part(s) of the engine that is defective in material or workmanship or both. Transportation charges on product submitted for repair or replacement under this warranty must be borne by purchaser. This warranty is effective for and is subject to the time periods and conditions stated below. For warranty service, find the nearest Authorized Service Dealer in our dealer locator map at DUCAR.

There is no other expressed warranty. Implied warranties, including those of merchantability and fitness for a particular purpose, are limited to two years from purchase, or to the extent permitted by law and all implied warranties are excluded. The warranty period begins on the date of purchase by the first retail consumer or commercial end user. Liability for incidental or consequential damages are excluded to the extent exclusion is permitted by law. Some states or countries do not allow limitations on how long an implied warranty lasts, and some states or countries do not allow the exclusion or limitation of incidental or consequential damages, so the above limitation and exclusion may not apply to you. This warranty gives you specific legal rights and you may also have other rights which vary from state to state and country to country.

No warranty registration is necessary to obtain warranty on DUCAR. Save your proof of purchase receipt. If you do not provide proof of the initial purchase date at the time warranty service is requested, the manufacturing date of the product will be used to determine the warranty period.

ABOUT YOUR WARRANTY

DUCAR welcomes warranty repair and apologizes to you for being inconvenienced. Any Authorized Service Dealer may perform warranty repairs. Most warranty repairs are handled routinely, but sometimes requests for warranty service may not be appropriate.

If a customer differs with the decision of the Service Dealer, an investigation will be made to determine whether the warranty applies. Ask the Service Dealer to submit all supporting facts to his Distributor or the Factory for review. If the Distributor or the Factory decides that the claim is justified, the customer will be fully reimbursed for those items that are defective. To avoid misunderstanding which might occur between the customer and the Dealer, listed below are some of the causes of engine failure that the warranty does not cover.

Normal wear: Engines, like all mechanical devices, need periodic parts service and replacement to perform well. Warranty will not cover repair when normal use has exhausted the life of a part or an engine. Warranty would not apply if engine damage occurred because of misuse, lack of routine maintenance, shipping, handling, warehousing or improper installation. Similarly warranty is void if the serial number of the engine has been removed or the engine has been altered or modified.

Improper maintenance: The life of an engine depends upon the conditions under which it operates, and the care it receives. Some applications, such as tillers, pumps and rotary mowers, are very often used in dusty or dirty conditions, which can cause

what appears to be premature wear. Such wear, when caused by dirt, dust, spark plug cleaning grit, or other abrasive material that has entered the engine because of improper maintenance, is not covered by warranty.

This warranty covers engine related defective material and/or workmanship only, and not replacement or refund of the equipment to which the engine may be mounted. Nor does the warranty extend to repairs required because of:

1. Problems caused by parts that are not original DUCAR.
2. Equipment controls or installations that prevent starting, cause unsatisfactory engine performance, or shorten engine life. (Contact equipment manufacturer.)
3. Leaking carburetors, clogged fuel pipes, sticking valves, or other damage, caused by using contaminated or stale fuel.
4. Parts which are scored or broke because an engine was operated with insufficient or contaminated lubricating oil, or an incorrect grade of lubricating oil (check and refill when necessary, and change at recommended intervals). OIL GARD may not shut down running engine. Engine damage may occur if oil level is not properly maintained.
5. Repair or adjustment of associated parts or assemblies such as clutches, transmissions, remote controls, etc., which are not manufactured by DUCAR.
6. Damage or wear to parts caused by dirt, which entered the engine because of improper air cleaner maintenance, re-assembly, or use of a non-original air cleaner element or cartridge. At recommended intervals, clean and/or replace the filter as stated in the Operator's Manual.
7. Parts damaged by over-speeding, or overheating caused by grass, debris, or dirt, which plugs or clogs the cooling fins, or flywheel area, or damage caused by operating the engine in a confined area without sufficient ventilation. Clean engine debris at recommended intervals as stated in the Operator's Manual.
8. Engine or equipment parts broken by excessive vibration caused by a loose engine mounting, loose cutter blades, unbalanced blades or loose or unbalanced impellers, improper attachment of equipment to engine crankshaft, over-speeding or other abuse in operation.
9. A bent or broken crankshaft, caused by striking a solid object with the cutter blade of a rotary lawn mower, or excessive v-belt tightness.
10. Routine tune-up or adjustment of the engine.
11. Engine or engine component failure, i.e., combustion chamber, valves, valve seats, valve guides, or burned starter motor windings, caused by the use of alternate fuels such as, liquefied petroleum, natural gas, altered gasoline, etc.

IF YOU HAVE ANY QUESTIONS REGARDING YOUR WARRANTY RIGHTS AND RESPONSIBILITIES, CONTACT OWT INDUSTRIES, INC., at 1-800-726-5760.

Pour enregistrer votre produit de Ryobi, s'il vous plaît la visite : www.ryobitools.com

INSTALLER ET ÉLOIGNER LA GÉNÉRATRICE D'AU MOINS 6 M (20 PI)* AFIN DE RÉDUIRE LE RISQUE D'INFILTRATION DE MONOXYDE DE CARBONE À L'INTÉRIEUR DE LA MAISON

* Distance minimale recommandée par le Service de santé et les Centres pour le contrôle et la prévention des maladies américains (www.cdc.gov/co). Le type de maison et les conditions du vent peuvent exiger une distance plus grande.



← GARDER À UNE DISTANCE D'AU MOINS 6 M (20 PI) * →

Utiliser seulement **À L'EXTÉRIEUR** et **TRÈS LOIN** de toutes fenêtres, portes ou bouches d'aération.



AVERTISSEMENT :

MISE À LA TERRE DU GÉNÉRATRICE

Le Code national de l'électricité n'exige pas que cette génératrice soit mise à la terre si elle est utilisée **uniquement** avec un équipement à cordon ou à connecteur mâle. Cependant, les autres méthodes utilisées avec cette génératrice nécessitent une mise à la terre afin de réduire le risque de décharge électrique et d'électrocution. Consulter un électricien qualifié, un inspecteur en électricité ou l'organisme local gérant les règlements locaux ou les lois afin de connaître les exigences de mise à la terre selon votre situation avant d'utiliser la génératrice.

Lorsque la mise à la terre est exigée, l'écrou et la borne de terre sur le cadre sont utilisés pour connecter la génératrice à une source de terre adaptée. Le cheminement de la mise à la terre doit se faire avec un fil de calibre 8. Raccorder la borne du fil de terre entre la rondelle frein et l'écrou, puis serrer fermement l'écrou. Raccorder et immobiliser fermement l'autre extrémité du fil à une source de terre en contact avec le sol à une distance d'au moins 2,4 m (8 pi).

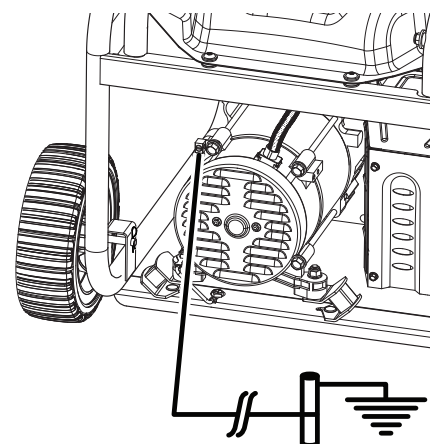
Le code électrique américain contient diverses façons pratiques permettant d'établir une bonne source de terre. Si une tige en fer ou en acier est utilisée, elle doit être d'au moins 15 mm (5/8 po) et si une tige non ferreuse est utilisée, elle doit avoir un diamètre d'au moins 12,5 mm (1/2 po) et être faite d'un matériau indiqué pour la mise à la terre. Si un fond rocailleux se présente avant d'avoir atteint la profondeur de 2,4 m (8 pi), enfoncer le piquet de prise de terre à un angle de 45°. Si un nouveau fond rocailleux se présente à nouveau, le piquet peut être enfoui dans une tranchée d'au moins 76,2 cm (30 po) de profondeur. Dans tous les cas, le haut et le bas du piquet de prise de terre doit être à niveau (ou sous) le sol ou protégé de quelque manière contre le bris physique.

Tous les outils et les appareils électriques utilisés à l'aide de ce génératrice doivent être correctement mis à la terre par l'intermédiaire d'un troisième fil ou être doublement isolés.

Il est recommandé :

1. D'utiliser des appareils électriques avec prises de terre à trois fiches.
2. D'utiliser un cordon prolongateur conçus pour l'extérieur avec prise à 3 pôles et une fiche à 3 broches aux extrémités opposées pour assurer la continuité de la protection de mise à la terre du génératrice à l'appareil.

Consulter et respecter tous les règlements nationaux et locaux applicables concernant les spécifications de mise à la terre. Consulter un électricien qualifié ou le personnel de service si les instructions de mise à la terre ne sont pas bien comprises, ou en cas de doute au sujet de la mise à la terre.



INSTRUCTIONS IMPORTANTES CONCERNANT LA SÉCURITÉ

DANGER :

Monoxyde de Carbone. Utiliser une génératrice à l'intérieur d'un bâtiment CAUSERA LA MORT EN QUELQUES MINUTES.

Le tuyau d'échappement de la génératrice contient un niveau élevé de monoxyde de carbone (CO), lequel s'avère être un gaz poison inodore et invisible. Si vous pouvez sentir les gaz du tuyau d'échappement de la génératrice, vous respirez du CO. Mais, même si vous ne pouvez pas sentir les gaz provenant du tuyau d'échappement, vous pourriez être en train de respirer du CO.

- Ne jamais utiliser une génératrice à l'intérieur d'une maison, des garages, des petits espaces, ou autres aires restreintes partiellement fermées. Des niveaux mortels de monoxyde de carbone peuvent s'accumuler dans ces aires restreintes. Utiliser un ventilateur ou ouvrir une fenêtre ou les portes NE fournissent PAS assez d'air frais à respirer.
- Utilisez SEULEMENT la génératrice à l'extérieur et loin des fenêtres ouvertes, des portes ouvertes, et des bouches d'aérations. Ces ouvertures peuvent tirer l'air provenant du tuyau d'échappement.

Même si vous utilisez une génératrice correctement, des gaz CO peuvent toujours s'infiltrer dans la maison. TOUJOURS utiliser une alarme de monoxyde de carbone à piles dans votre maison.

Si vous ressentez que vous commencez à être étourdi ou faible suite au fonctionnement de la génératrice, allez prendre l'air frais IMMÉDIATEMENT. Consultez un médecin. Vous pourriez avoir un empoisonnement au monoxyde de carbone.

AVERTISSEMENT :

Lire et comprendre toutes les instructions. Le non-respect de toutes les instructions ci-dessous peut entraîner une électrocution, un incendie et/ou un empoisonnement au monoxyde de carbone, pouvant causer des blessures graves, voire mortelles.

AVERTISSEMENT :

Pour certaines applications, le code électrique américain (National Electric Code) requiert que le générateur soit mis à la terre par l'intermédiaire d'une source de terre approuvée. Avant d'utiliser la borne de terre, consulter un électricien qualifié, un inspecteur en électricité ou un organisme local connaissant les codes et les règlements locaux applicables à l'utilisation prévue du générateur.

CONSERVER CES INSTRUCTIONS

Ce manuel relate à propos d'instructions importantes lesquelles devraient être suivies pendant l'installation et l'entretien des piles et de la génératrice.

- Ne pas brancher au circuit électrique d'un bâtiment à moins que la génératrice et le commutateur de transfert n'aient été installés correctement par un électricien qualifié, et que ce dernier n'ait vérifié la sortie électrique. Le branchement

doit isoler l'alimentation de la génératrice de la source d'alimentation de l'appareil et doit répondre à toutes les lois et codes de l'électricité applicables.

- Ne pas laisser des enfants ou personnes n'ayant pas reçu une formation adéquate utiliser cette unité.
- Ne pas démarrer ou faire tourner le moteur dans un espace confiné, de bâtiment, à proximité des fenêtres ouverts, autre ou des zones sans ventilation où des vapeurs toxiques de monoxyde de carbone peuvent s'accumuler. Le monoxyde de carbone, un gaz incolore, inodore et extrêmement toxique peut causer une perte de conscience et être mortel.
- Garder les badauds, enfants et animaux domestiques à une distance minimum de 3 m (10 pi).
- Porter des chaussures ou des bottes robustes et sèches. Ne pas utiliser pieds nus.
- Ne pas utiliser le générateur en état de fatigue, si l'on est souffrant ou sous l'influence de l'alcool, de drogues ou de médicaments.
- Garder toutes les parties du corps à l'écart des pièces en mouvement et des parties brûlantes de l'outil.
- Ne pas toucher les prises ou les fils dénudés.
- Ne pas utiliser le générateur avec des cordons électriques usés, effilochés, dénudés ou autrement endommagés.
- Laisser le moteur refroidir pour 30 minutes et vidanger le carburant avant de remettre l'outil.
- Ne pas utiliser le générateur dans la pluie ou la neige.
- Remiser la génératrice dans un endroit bien ventilé après avoir vidé le réservoir de carburant. Ne pas remiser le carburant à proximité de la génératrice.
- Pour le transport dans un véhicule, le réservoir doit être vide, Mettre l'interrupteur de moteur / robinet de carburant / levier d'étrangleur en position **OFF** et la machine bien arrimée.
- Installer une feuille de plastique ou un coussinet absorbant sous la génératrice pour recueillir toutes les gouttes d'essence ou de lubrifiant lors du transport.
- Manipuler le carburant avec précaution pour éviter les risques d'incendies et de brûlures. Le carburant est extrêmement inflammable.
- Ne pas fumer pendant la manipulation du carburant.
- Conserver le carburant dans un bidon ou jerrican approuvé pour l'essence.
- Poser la machine sur un sol plat, arrêter le moteur et le laisser refroidir pendant cinq minutes avant de faire le plein.
- Desserrer le bouchon du réservoir lentement pour relâcher la pression et éviter que le carburant ne s'échappe.
- Une fois le réservoir plein, remettre le bouchon en place et le serrer fermement.
- Essuyer tout le carburant éventuellement répandu.
- N'essayer en aucun cas de brûler le carburant répandu.
- Une vibration est normale pendant l'utilisation de la génératrice. Pendant et après l'utilisation de la génératrice, inspectez celle-ci, tout comme les câbles d'extension et les câbles branchés à la boîte d'alimentation afin de détecter tout bris potentiel du matériel. Faites réparer tout dommage immédiatement ou remplacer les pièces endommagées au besoin. Ne pas utiliser de fiches ou des câbles qui sont endommagés tels qu'ils aient des signes de fissures ou si la couche isolante est craquée ou si les lamelles sont endommagées.

INSTRUCTIONS IMPORTANTES CONCERNANT LA SÉCURITÉ

- Il est préférable d'utiliser une génératrice fixe comme source d'énergie de secours pour alimenter la maison en cas de panne d'électricité. Une génératrice portable, même correctement branchée, risque une surcharge. Il peut en résulter une surchauffe ou une contrainte induite sur les composants de la génératrice, ce qui peut provoquer une défaillance de la génératrice.
- Utiliser uniquement des pièces de rechange et des accessoires recommandés ou équivalents et suivre les instruc-

tions dans la section Entretien de ce manuel. L'usage de pièces toute autre ou le non-respect des instructions peut présenter des risques de choc électrique ou de blessures.

- Entretien du produit conformément aux instructions de ce manuel d'utilisation.
- Inspecter le produit avant chaque utilisation pour s'assurer qu'il n'y a pas de pièces desserrées, de fuites de carburant, etc. Remplacer les pièces endommagées.

RÈGLES DE SÉCURITÉ PARTICULIÈRES

DANGER :

Risque d'incendie et de blessures graves : Ne jamais retirer le capuchon du réservoir d'essence pendant que l'appareil fonctionne. Éteindre le moteur et laisser refroidir l'appareil pendant au moins cinq minutes. Retirer lentement le capuchon.

AVERTISSEMENT :




Lorsque cette génératrice est utilisée pour fournir de l'énergie à un système électrique d'un bâtiment : cette génératrice doit être installée par un électricien qualifié et doit être branchée à un circuit fermé muni d'un interrupteur de transfert, conformément au Code National Électrique NFPA70. La génératrice devra être branchée sur un interrupteur de transfert lequel pourra allumer tous les conducteurs autres que celui du circuit électrique principal. Le cadre de la génératrice doit être mis à la terre par l'intermédiaire d'une source de terre approuvée. Si cette étape n'est pas faite, la génératrice ne sera pas isolée du circuit électrique et cela pourrait entraîner des blessures graves, voire même la mort chez un électricien travaillant pour l'usine.

- Ne pas utiliser cette génératrice pour alimenter les appareils d'urgence médicale ou le matériel de survie.
- Cette génératrice est équipée d'un connecteur neutre libre. Cela signifie que le conducteur neutre n'est pas relié électriquement au cadre. L'enroulement du stator et la sortie d'inverseur de module de la génératrice sont isolés du cadre et du contact à la masse de la prise c.a.
- Toujours utiliser un détecteur de monoxyde de carbone fonctionnant sur piles lors de l'utilisation de la génératrice. En cas de sensation de nausée, d'étourdissement ou de faiblesse lors de l'utilisation de la génératrice, l'arrêter et aller immédiatement à l'air frais. Consulter un docteur. Il peut s'agir d'un empoisonnement au monoxyde de carbone.
- Placer la génératrice sur une surface stable et plate avec une pente au plus 4 °.
- Utiliser dans un endroit bien ventilé et bien éclairé à l'écart des zones de travail pour éviter les interférences sonores.
- L'utilisation de la génératrice dans des conditions mouillées peut entraîner l'électrocution. Conserver l'unité au sec.










- Garder la génératrice à au moins 1 m (3 pieds) de tout type de matériau combustible.
- Ne jamais utiliser la génératrice près de matériaux dangereux.
- Ne pas utiliser la génératrice près d'une station de distribution d'essence ou de gaz naturel.
- Ne pas toucher le silencieux ou le cylindre durant ou immédiatement après l'utilisation. Ils sont BRÛLANTS et peuvent provoquer des brûlures.
- Ne pas laisser le réservoir d'essence de la génératrice déborder lors du remplissage. Remplir le réservoir jusqu'à 25,4 mm (1 po) de l'ouverture du goulot du réservoir pour permettre l'expansion du carburant. Ne pas recouvrir le bouchon du réservoir de carburant lorsque le moteur fonctionne. Ne pas respecter cette directive peut causer une panne de moteur ou endommager l'outil.
- Ne pas fumer lors du remplissage de la génératrice avec de l'essence.
- Fermer le moteur et le laisser refroidir pendant cinq minutes avant l'ajout de carburant ou la lubrification de la génératrice.
- Ne pas retirer la jauge d'huile ou le bouchon du réservoir de carburant lorsque le moteur tourne.
- Bien tenir compte de tous les autocollants de sécurité situés sur la génératrice.
- Garder les enfants à un minimum de 3 m (10 pieds) de la génératrice à tout moment.
- L'unité fonctionne le mieux à des températures comprises entre -5 et 40 °C (23 et 104 °F) avec une humidité relative de 90 % ou moins.
- Vérifier la tension et la fréquence requises avant de brancher tout équipement électronique sur la génératrice. La génératrice peut se trouver endommagée si les appareils branchés ne sont pas prévus pour fonctionner à une tension égale à $\pm 10\%$ et une fréquence égale à ± 3 Hz de celles indiquées sur la plaque signalétique de la génératrice. Pour éviter tout dommage, toujours brancher une charge additionnelle sur la génératrice lorsqu'un appareil à circuits intégrés (tel qu'un téléviseur) est utilisé. Une varistance peut être aussi nécessaire pour certaines applications, dans le cas d'un ordinateur, par exemple. Une varistance peut être aussi nécessaire pour certaines applications de l'équipement en solide.
- Pour l'utilisation à l'extérieur seulement.
- Conserver ces instructions. Les consulter fréquemment et les utiliser pour instruire les autres utilisateurs éventuels. Si ce produit est prêté, il doit être accompagné de ces instructions.

SYMBOLES

Les termes de mise en garde suivants et leur signification ont pour but d'expliquer le degré de risques associé à l'utilisation de ce produit.

SYMBOLE	SIGNAL	SIGNIFICATION
	DANGER :	Indique une situation dangereuse qui, si elle n'est pas évitée, aura pour conséquences des blessures graves, voire mortelles.
	AVERTISSEMENT :	Indique une situation dangereuse qui, si elle n'est pas évitée, aura pour conséquences des blessures graves ou mortelles.
	ATTENTION :	Indique une situation dangereuse qui, si elle n'est pas évitée, pourrait entraîner des blessures légères ou de gravité modérée.
	AVIS :	(Sans symbole d'alerte de sécurité) Indique les informations jugées importantes sans toutefois représenter un risque de blessure (ex. : messages concernant les dommages matériels).

Certains des symboles ci-dessous peuvent être utilisés sur produit. Veiller à les étudier et à apprendre leur signification. Une interprétation correcte de ces symboles permettra d'utiliser produit plus efficacement et de réduire les risques.

SYMBOLE	NOM	DÉSIGNATION / EXPLICATION
	Alerte de sécurité	Indique un risque de blessure potentiel.
	Lire le manuel d'utilisation	Pour réduire les risques de blessures, l'utilisateur doit lire et veiller à bien comprendre le manuel d'utilisation avant d'utiliser ce produit.
	Avertissement concernant l'humidité	Ne pas exposer à la pluie ou l'humidité.
	Choc électrique	Une utilisation de l'équipement dans des conditions non sèches et le non-respect des méthodes sans danger peuvent entraîner un choc électrique.
	Vapeurs toxiques	Durant le fonctionnement, le générateur émet du monoxyde de carbone, un gaz toxique inodore et incolore. Respirer le monoxyde de carbone peut entraîner des nausées, des évanouissements, voire la mort.
	Incendie/explosion	Le carburant et ses vapeurs sont extrêmement inflammables et explosifs. Un incendie ou une explosion peut entraîner des brûlures graves, voire la mort.
	Surface brûlante et gaz d'échappement	Pour réduire les risques de blessures ou de dommages, éviter tout contact avec les surfaces brûlantes et ne pas positionner toute partie du corps dans le passage de gaz d'échappement chauds.
	Danger au levage	Pour réduire le risque de blessures graves, éviter de lever le générateur seul.
	Mise à la terre	Consulter un électricien local pour déterminer les exigences de mise à la terre avant le fonctionnement.

SYMBOLES






Certains des symboles ci-dessous peuvent être utilisés sur produit. Veiller à les étudier et à apprendre leur signification. Une interprétation correcte de ces symboles permettra d'utiliser produit plus efficacement et de réduire les risques.

SYMBOLE	NOM	DÉSIGNATION / EXPLICATION
A	Ampères	Courant
Hz	Hertz	Fréquence (cycles par seconde)
W	Watt	Puissance
hrs	Heures	Durée
gal	Gallon	Volume
qt	Quart	Volume





AUTOCOLLANTS DE SÉCURITÉ

Les informations ci-dessous se trouvent sur le génératrice. Pour des raisons de sécurité, étudier et comprendre tous les autocollants avant de mettre le génératrice en marche.

Si un autocollant se détache ou devient illisible, contacter le Service à la clientèle ou un centre de réparations qualifié pour obtenir un autocollant de rechange.

⚠ DANGER		⚠ DANGER		⚠ PELIGRO	
	You WILL be KILLED or SERIOUSLY HURT if you do not follow the Operator's Manual instructions. Ne pas procéder de la manière décrite dans ce Manuel d'utilisation entraînera des BLESSURES GRAVES voire la MORT. SE MATARÁ o LESIONARÁ GRAVEMENTE si no sigue las instrucciones del Manual del operador.		Generator is a potential source of electric shock. Do not expose to moisture, rain, or snow. Do not operate with wet hands or feet. Le générateur est une source potentielle de chocs électriques. Ne pas exposer à l'humidité, la pluie ou la neige. Ne pas utiliser avec les mains ou les pieds mouillés. El generador es una fuente de descarga eléctrica. No lo exponga a humedad, la lluvia, ni a la nieve. No opere con manos o pies húmedos.		Exhaust contains poisonous carbon monoxide gas that can cause unconsciousness or DEATH. Operate in well ventilated, outdoor areas away from open windows or doors. L'échappement contient le gaz monoxyde de carbone toxique qui peut causer l'inconscience ou la MORT. Fonctionner dans les secteurs bien ventilés et extérieurs loin d'ouvre des fenêtres ou des portes. El escape contiene gas venenoso de monóxido de carbono que puede causar pérdida del conocimiento o MUERTE. Opere en áreas exteriores bien ventiladas/lejos de puertas o ventanas abiertas.
	Risk of fire. Do not add fuel while the product is operating. Risque d'incendie. Ne pas ajouter de carburant pendant l'utilisation de l'appareil. Riesgo del incendio. No agregue combustible cuando el producto está funcionando.		Do not expose to rain or use in damp locations. Ne pas exposer à la pluie ou l'humidité. No exponga a la lluvia ni use en lugares húmedos.		

- Ne pas procéder de la manière décrite dans ce manuel d'utilisation entraînera des BLESSURES GRAVES voire la MORT.
- Risque d'incendie. Ne pas ajouter de carburant pendant l'utilisation de l'appareil.
- Le génératrice est une source potentielle de chocs électriques. Ne pas exposer à l'humidité, la pluie ou la neige. Ne pas utiliser avec les mains ou les pieds mouillés.
- L'échappement contient le gaz monoxyde de carbone toxique qui peut causer l'inconscience ou la MORT les secteurs bien ventilés et extérieurs loin d'ouvre des fenêtres ou des portes.
- Ne pas exposer à la pluie ou l'humidité.
- L'utilisation d'une génératrice à l'intérieur PEUT VOUS TUER EN QUELQUES MINUTES. Les génératrices produisent du monoxyde de carbone, un gaz mortel incolore et inodore.
- NE JAMAIS utiliser à l'intérieur d'une maison ou d'un garage, MÊME SI les portes et les fenêtres sont ouvertes.
- Utiliser uniquement À L'EXTÉRIEUR et loin des fenêtres, des portes et des événements.


⚠ DANGER		⚠ DANGER	
Using a generator indoors CAN KILL YOU IN MINUTES. Generator exhaust contains carbon monoxide. This is a poison you cannot see or smell.		L'utilisation d'une génératrice à l'intérieur PEUT VOUS TUER EN QUELQUES MINUTES. Les génératrices produisent du monoxyde de carbone, un gaz mortel incolore et inodore. NE JAMAIS utiliser à l'intérieur d'une maison ou d'un garage, MÊME SI les portes et les fenêtres sont ouvertes. Utiliser uniquement À L'EXTÉRIEUR et loin des fenêtres, des portes et des événements.	
			
NEVER use inside a home or garage, EVEN IF doors and windows are open.		Only use OUTSIDE and far away from windows, doors, and vents.	
		⚠ PELIGRO	
		Usar un generador en el interior PUEDE MATARLO EN POCOS MINUTOS. Los gases de escape del generador contienen monóxido de carbono. Es un veneno que no puede verse ni olerse. NUNCA lo use dentro de su hogar o del garaje, INCLUSO con las puertas y las ventanas abiertas. Sólo utilicelo AL AIRE LIBRE y lejos de ventanas, puertas y respiraderos.	

SYMBILES

AVERTISSEMENT CONCERNANT LE CARBURANT

Ne pas fumer lors du plein. Ne pas trop remplir. Le plein est obtenu à 25 mm (1 po) en dessous du haut du goulot de remplissage. Arrêter le moteur pendant cinq minutes avant de faire le plein pour éviter que la chaleur du silencieux n'allume les vapeurs de carburant.

⚠ DANGER ⚠ DANGER ⚠ PELIGRO

 Risk of Fire. Check for any fuel overflow or leaking. Stop the engine before refueling.

Risque d'incendie. Vérifier l'absence de débordement ou de fuite de carburant. Arrêter le moteur avant de faire le plein.

Riesgo de incendio. Revisar si hay algún derrame o fuga de combustible. Apague el motor antes de poner combustible.

940974007-04

AVERTISSEMENT CONCERNANT LE LUBRIFIANT MOTEUR

Ajouter de le lubrifiant avant l'utilisation initiale du génératrice. Toujours vérifier le niveau de lubrifiant avant chaque utilisation. Le niveau de lubrifiant doit toujours se trouver dans la zone hachurée de la jauge. Cette unité est équipée d'un capteur d'huile qui coupe automatiquement le moteur si le niveau de lubrifiant descend à un niveau dangereux.

 Add lubricant to full mark to start. Engine will not start or will shut off if sensor detects low lubricant level.

Ajouter de lubrifiant jusqu'au repère de remplissage pour démarrer. Le moteur ne démarre pas ou s'éteint si le capteur détecte le niveau de lubrifiant faible.


Añada lubricante hasta la marca de lleno para arrancar. El motor no arranca o se apaga si sensor detecta el nivel de lubricante de baja.

940708019-03

CHECK LUBRICANT



⚠ WARNING ⚠ AVERTISSEMENT ⚠ ADVERTENCIA

 Product does not include ground rod or copper wire. Call a certified electrician for local grounding requirements.

Le produit ne comprend pas de piquet de terre ou de fil en cuivre. Appeler un électricien certifié pour connaître les exigences locales de mise à la terre.

El producto no incluye el alambre de cobre ni la barra de conexión a tierra. Comuníquese con un electricista certificado para todo lo relacionado con los requisitos de conexión a tierra.


940513029-01

MISE À LA TERRE - AVERTISSEMENT

Le piquet de prise de terre ou le fil de cuivre n'est pas fourni avec cette génératrice. Appeler un électricien qualifié pour connaître les exigences locales de mise à la terre.

AVERTISSEMENT CONCERNANT LES SURFACES BRÛLANTES

Ne pas toucher le silencieux ou le cylindre en aluminium du moteur. Ils sont BRÛLANTS et peuvent causer de graves brûlures. Ne mettre aucun matériau inflammable ou combustible sur le chemin direct de l'échappement.


 **⚠ WARNING**
HOT SURFACE

⚠ AVERTISSEMENT
SURFACES CHAUDE

⚠ ADVERTENCIA
SUPERFICIES CALIENTE

940680027-04

⚠ DANGER ⚠ DANGER ⚠ PELIGRO

 Risk of Fire. Keep all objects at least 3 feet away from this machine. Heat from Muffler and Exhaust gases can ignite combustible objects.

Risque d'incendie. Éloigner tous les objets au moins de 91,4 cm (3 pi) de cet appareil. La chaleur du pot d'échappement et les gaz d'échappement peuvent enflammer les objets combustibles.

Riesgo de incendio. Mantener todos los objetos a una distancia mínima de 91,4 cm (3 pies) de esta máquina. El calor de los gases del silenciador y el escape pueden prender fuego a objetos combustibles.

940974009-02

AVERTISSEMENT UN ESPACE LIBRE

Pendant le fonctionnement ou lors du rangement, allouez un espace libre de 91,4 cm (3 pi) de chaque côté et au-dessus de la génératrice. Laisser refroidir l'appareil au moins 30 minutes avant de le ranger. La chaleur crée par le tuyau et les gaz d'échappement peut être suffisamment chaude pour causer des brûlures graves ou enflammer des objets combustibles.

⚠ WARNING Operation of this equipment may create sparks that can start fires around dry vegetation. A spark arrester may be required. The operator should contact local fire agencies for laws or regulations relating to fire prevention requirements.

⚠ AVERTISSEMENT L'utilisation de cet équipement peut créer des étincelles susceptibles d'enflammer la végétation sèche. Il peut être nécessaire d'utiliser un pare-étincelles. L'utilisateur doit communiquer avec le service local d'incendie pour connaître toutes les lois et tous les règlements portant sur les exigences en matière de prévention des incendies.

⚠ ADVERTENCIA El uso de este equipo puede producir chispas propensas a iniciar incendios cerca de vegetación seca. Es posible que se necesite un parachispas. El operador debe ponerse en contacto con las agencias contra incendios locales para conocer las leyes y regulaciones relacionadas con los requisitos de prevención de incendios.

940947003-03

PARE-ÉTINCELLES

L'utilisation de cet équipement peut créer des étincelles susceptibles d'enflammer la végétation sèche. Il peut être nécessaire d'utiliser un pare-étincelles. L'utilisateur doit communiquer avec le service local d'incendie pour connaître toutes les lois et tous les règlements portant sur les exigences en matière de prévention des incendies.

AVERTISSEMENT AU SUJET DU CAPUCHON DU RÉSERVOIR D'ESSENCE


Ne jamais retirer le capuchon du réservoir d'essence pendant que l'appareil fonctionne. Éteindre le moteur et laisser refroidir l'appareil pendant au moins cinq minutes. Retirer lentement le capuchon afin de relâcher tout bâti de pression du système de carburant et éviter que la chaleur du silencieux n'enflamme les vapeurs d'essence.

 **⚠ DANGER**

RISK OF FIRE AND SERIOUS BURNS: Never remove fuel cap when unit is running. Shut off engine and allow the unit to cool at least five minutes. Remove cap slowly.

USE FUEL STABILIZER FOR STORAGE

⚠ DANGER ⚠ PELIGRO

 **RISQUE D'INCENDIE ET DE BLESSURES GRAVES :** Ne jamais retirer le capuchon du réservoir d'essence pendant que l'appareil fonctionne. Éteindre le moteur et laisser refroidir l'appareil pendant au moins cinq minutes. Retirer lentement le capuchon.

RIESGO DE INCENDIOS Y LESIONES POR QUEMADURAS: Nunca retire la tapa de combustible mientras esté encendida la unidad. Apague el motor y deje enfriar la unidad durante al menos cinco minutos. Retire la tapa lentamente.

UTILISEZ UN STABILISATEUR DE CARBURANT POUR LE STOCKAGE
EL USO DEL ESTABILIZADOR DE COMBUSTIBLE PARA EL ALMACENAMIENTO

CARACTÉRISTIQUES ÉLECTRIQUES

TAILLE DU CÂBLE DU CORDON PROLONGATEUR

Voir le tableau ci-dessous pour vérifier que la taille de câble des cordons prolongateurs utilisés est capable de porter la charge requise. Des tailles de câbles inadéquates peuvent causer une chute de tension qui peut griller l'appareil et surchauffer le cordon.

Courant en ampères	Charge en watts		Longueur de cordon permise maximum				
	À 120 V	À 240 V	Fil de calibre 8	Fil de calibre 10	Fil de calibre 12	Fil de calibre 14	Fil de calibre 16
2.5	300	600		305 m (1000 pieds)	183 m (600 pieds)	114 m (375 pieds)	76 m (250 pieds)
5	600	1200		152 m (500 pieds)	91 m (300 pieds)	61 m (200 pieds)	38 m (125 pieds)
7.5	900	1800		107 m (350 pieds)	61 m (200 pieds)	38 m (125 pieds)	31 m (100 pieds)
10	1200	2400		76 m (250 pieds)	46 m (150 pieds)	31 m (100 pieds)	15 m (50 pieds)
15	1800	3600		46 m (150 pieds)	31 m (100 pieds)	20 m (65 pieds)	
20	2400	4800	53 m (175 pieds)	38 m (125 pieds)	23 m (75 pieds)		
25	3000	6000	46 m (150 pieds)	31 m (100 pieds)			
30	3600	7200	38 m (125 pieds)	20 m (65 pieds)			
40	4800	9600	27 m (90 pieds)				

CHARGES DU MOTEUR ÉLECTRIQUE

Les moteurs électriques courants en fonctionnement normal tirent jusqu'à six fois leur courant de fonctionnement lors du démarrage. Ce tableau peut être utilisé pour estimer les watts requis pour démarrer les moteurs électriques « code G » ; cependant, si un moteur électrique ne démarre pas ou n'atteint pas sa vitesse de fonctionnement, éteindre immédiatement l'appareil ou l'outil pour éviter d'endommager l'équipement. Toujours vérifier les exigences de l'outil ou de l'appareil utilisé par rapport à la sortie nominale du générateur.

Taille du moteur (ch)	Watts de fonctionnement	Watts requis pour le démarrage du moteur		
		Universel	Condensateur	Phase auxiliaire
1/8	275	N/A	850	1200
1/6	275	600	850	2050
1/4	400	800	1050	2400
1/3	450	950	1350	2700
1/2	600	1000	1800	3600
3/4	850	1200	2600	—
1	1100	N/A	3300	—

AVIS :

Vérifier la tension et la fréquence requises avant de brancher tout équipement électronique sur le générateur. Le générateur peut se trouver endommagé si les appareils branchés ne sont pas prévus pour fonctionner à une tension égale à $\pm 10\%$ et une fréquence égale à ± 3 Hz de celles indiquées sur la plaque signalétique du générateur. Pour éviter tout dommage, toujours brancher une charge additionnelle sur le générateur lorsqu'un appareil à circuits intégrés (tel qu'un téléviseur) est utilisé. Une varistance peut être aussi nécessaire pour certaines applications, dans le cas d'un ordinateur, par exemple. Une varistance peut être aussi nécessaire pour certaines applications de l'équipement en solide.

CARACTÉRISTIQUES ÉLECTRIQUES

CAPACITÉ DU GÉNÉRATRICE

S'assurer que le génératrice peut fournir les watts continus (de fonctionnement) et de surtension (démarrage) suffisants pour tous les articles alimentés au même moment. Suivre ces simples étapes.

1. Sélectionner les articles qui seront alimentés au même moment.
2. Faire le total des watts continus (de fonctionnement) de ces articles. Ceci correspond à la somme de puissance que le génératrice doit produire pour que ces articles puissent fonctionner. Voir le tableau de référence de wattage à droite.
3. Déterminer les watts de surtension (démarrage) nécessaires. Les watts de surtension correspondent à la courte pointe de puissance nécessaire pour démarrer les outils ou les appareils à moteur électriques, tels que les scies circulaires ou les réfrigérateurs. Les moteurs ne démarrant pas tous au même moment, le total des watts de surtension peut être déterminé en ajoutant uniquement les articles au wattage de surtension supplémentaire le plus élevé au wattage nominal total de l'étape 2.

Exemple :

Outil ou appareil	Watts de continu*	Wattage de surtension*
Climatiseur de fenêtre (11 000 BTU)	1010	1600
Télévision (avec tube)	300	0
Réfrigérateur	180	600
Radio	200	0
Éclairage (75 W)	300	0
Cafetière	600	0
	2590 Wattage de fonctionnement total	1600 Wattage de surtension maximum

Wattage fonctionnement total	2590
Wattage de surtension supplémentaire max.	+ 1600
Wattage de surtension totale requise	4190

GESTION DE L'ÉNERGIE

Pour prolonger la durée de vie du génératrice et des appareils reliés, il est important d'effectuer l'ajout de charges électriques supplémentaires au génératrice avec soin. Rien ne doit être connecté aux sorties du génératrice avant le démarrage du moteur. Une gestion correcte et en toute sécurité de l'énergie du génératrice consiste à ajouter des charges en séquence :

1. Sans appareil connecté au génératrice, mettre le moteur en marche de la façon décrite dans ce manuel.
2. Brancher et mettre en marche la première charge, de préférence la plus importante.
3. Laisser la sortie du génératrice se stabiliser (le moteur tourne régulièrement et l'appareil relié fonctionne correctement).
4. Brancher et mettre la charge suivante en marche.
5. Une fois de plus, laisser le génératrice se stabiliser.
6. Répéter les étapes 4 et 5 pour chaque charge supplémentaire.

Ne jamais ajouter de charges supérieures à la capacité du génératrice. Bien veiller à considérer les charges de surtension comme décrit précédemment.

AVIS :

Ne pas surcharger la capacité du génératrice. Le dépassement de la capacité du wattage/de l'ampérage du génératrice pourrait endommager le génératrice et/ou les appareils électriques qui lui sont reliés.

Outil ou appareil	Estimation de watts continu*	Estimation de wattage de surtension*
Accueil / Urgence		
Ampoules incandescentes (qté. 4 x 75 vatios)	300	0
Télévision (avec tube)	300	0
Pompe de vidange (1/3 HP)	800	1300
Réfrigérateur ou congélateur	700	2200
Pompe de puits (1/3 HP)	1000	2000
Fournaise (1/2 HP)	800	2350
Radio	200	0
Outil		
Perceuse (3/8 po, 4 A)	440	600
Scie circulaire (service dur, 7-1/4 po)	1400	2300
Scie alternative	960	960
Scie à onglet (10 po)	1800	1800
Scie à table (10 po)	2000	2000

**Les wattages indiqués sont approximatifs. Vérifier le wattage sur l'outil ou l'appareil.

CARACTÉRISTIQUES

FICHE TECHNIQUE

MOTEUR

Type de moteur.....212cc, OHV
BougieNGK BP6ES ou équivalente
Volume de lubrifiant moteur environ 0,59 l (20 oz)
Volume de carburant15,14 l (4 gal)

*Sortie nominale déterminé par la norme G300 de la PGMA

GÉNÉRATRICE

Tension nominale..... 120 V
Ampérage nominal30 A
Sortie nominale*3 600 W
Watts démarrage.....4 500 W
Fréquence nominale.....60 Hz

BIEN CONNAÎTRE LE GÉNÉRATRICE

Voir la figure 1.

L'utilisation sûre de ce produit exige une compréhension des renseignements figurant sur le produit et contenus dans le manuel d'utilisation, ainsi qu'une bonne connaissance du projet entrepris. Avant d'utiliser ce produit, se familiariser avec toutes ses caractéristiques et règles de sécurité.

DISJONCTEUR C.A.

Le disjoncteur est fourni pour protéger le générateur contre les surcharges électriques. Appuyer sur le bouton du disjoncteur pour le réenclencher.

FILTRE À AIR

Le filtre à air permet de limiter la quantité de poussière et de saleté pénétrant dans l'unité lors du fonctionnement.

INTERRUPTEUR DE MOTEUR / ROBINET DE CARBURANT / LEVIER D'ÉTRANGLEUR

Le interrupteur de moteur / robinet de carburant / levier d'étrangleur sert lors du démarrage, l'arrêt, et le fonctionnement du moteur.

RÉSERVOIR DE CARBURANT

Le réservoir de carburant a une contenance de 15,14 l (4 gallons).

BORNE DE TERRE

La borne de terre permet d'obtenir une bonne mise à la terre du générateur pour la protection contre les chocs électriques. Consulter un électricien qualifié local pour les exigences de mise à la terre locales.

PROTECTEUR D'ARRÊT EN CAS DE BAS NIVEAU D'HUILE

Le détecteur de bas niveau d'huile entraîne l'arrêt du moteur si le niveau de lubrifiant dans le carter est insuffisant.

BOUCHON / JAUGE D'HUILE

Retirer le bouchon de remplissage d'huile pour vérifier le niveau d'huile et faire l'appoint selon le besoin.

HUILER LE BOUCHON D'ÉGOUT

Lors de la vidange de lubrifiant moteur, la huiler le bouchon d'égout est retirée pour permettre à l'huile d'être vidangée.

PRISES

Le générateur est équipé des prises 60 Hz à puissance monophasée suivantes : quatre prise double de 120 V c.a., 20 A et une prise à verrouillage par rotation de 120 V c.a., 30 A. Elles peuvent être utilisées pour le fonctionnement d'appareils, d'éclairage électrique, d'outils et de charges de moteur adéquats.

POIGNÉE DU DÉMARREUR À RAPPEL

La poignée du démarreur à rappel est utilisée pour mettre le générateur du moteur en marche.

ASSEMBLAGE

DÉBALLAGE

Ce produit doit être assemblé.

- Couper prudemment les côtés de la caisse puis sortir la machine et les accessoires de la caisse. S'assurer que toutes les pièces figurant sur la liste de pièces détachées sont incluses.

NOTE : Cette machine est lourde et nécessite au minimum deux personnes pour être soulevée. Pour éviter des problèmes lombaires soulever avec les jambes, pas avec le dos et demander de l'aide lorsque nécessaire.

AVERTISSEMENT :

Ne pas utiliser le produit si, en le déballant, vous constatez que des éléments figurant dans la liste des pièces détachées sont déjà assemblés. Certaines pièces figurant sur cette liste n'ont pas été assemblées par le fabricant et exigent une installation. Le fait d'utiliser un produit qui a été assemblé de façon inadéquate peut entraîner des blessures.

- Examiner soigneusement l'unité pour s'assurer que rien n'a été brisé ou endommagé en cours de transport.
- Ne pas jeter les matériaux d'emballage avant d'avoir soigneusement examiné le produit et vérifié qu'il fonctionne correctement.
- Si des pièces manquent ou sont endommagées, appeler le 1-800-860-4050 pour obtenir de l'aide.

AVERTISSEMENT :

Si des pièces manquent ou sont endommagées, ne pas utiliser ce produit avant qu'elles aient été remplacées. Le fait d'utiliser ce produit même s'il contient des pièces endommagées ou s'il lui manque des pièces peut entraîner des blessures graves.

AVERTISSEMENT :

Ne pas essayer de modifier ce produit ou de créer des accessoires non recommandés pour ce produit. De telles altérations ou modifications sont considérées comme un usage abusif et peuvent créer des conditions dangereuses pouvant entraîner des blessures graves.

AVERTISSEMENT :

Ne pas tenter d'utiliser le générateur avant d'avoir terminé l'assemblage. Le non-respect de cette instruction pourrait entraîner des blessures graves.

LISTE DES PIÈCES DÉTACHÉES

Voir la figure 2.

Les articles suivants sont inclus avec le générateur :

No. de Pièce	Description	Qté.
1	Essieu	2
2	Roue	2
3	Rondelle.....	2
4	Axe de blocage.....	2
5	Boulon	2
6	Pied en caoutchouc.....	2
7	Écrou frein	2
8	Lubrifiant moteur	1
	Manuel d'utilisation (non illustré)	1

OUTILS NÉCESSAIRES

Voir la figure 3.

Les outils suivants (non inclus ou dessiné pour escalader) sont nécessaires pour effectuer l'assemblage :

- Clés à douille
- Clé à molette

NOTE : Ne pas mettre du carburant ou du lubrifiant dans le générateur avant d'installer les pieds et les roues.

FIXER LES PIEDS

Voir la figure 4.

- Localiser les pièces suivantes :
 - 2 pied en caoutchouc
 - 2 écrous frein
 - 2 boulon
- Insérer le perno à travers le pied de gomme, puis à travers le traversaño tal como se muestra.
- Visser l'écrou frein sur le boulon et serrer un tour complet passé l'ajustement serré.

NOTE : Faire attention à ne pas trop le serrer pour éviter que le pied ne s'écroule.

- Répéter l'opération sur l'autre pied.

ASSEMBLAGE

INSTALLATION DES ROUES

Voir la figure 5.

Les roues sont fournies pour aider à déplacer le génératrice à l'endroit désiré et doivent être installées du même côté que la poignée.

- Localiser les pièces suivantes :
 - 2 essieux
 - 2 axes de blocage
 - 2 rondelles
 - 2 roues

- Relever l'extrémité du génératrice du côté du poignée à rappel suffisamment pour accéder au bas du cadre ; placer des cales en dessous pour obtenir un bon support.
- Glisser ce l'essieu dans le trou central de la roue.
- Glisser une rondelle sur l'essieu, puis glisser l'essieu dans le trou de montage de la roue, tel qu'illustré.
- Insérer une goupille d'attelage pour fixer solidement en place.
NOTE : La goupille d'attelage doit être poussée dans l'essieu jusqu'à ce que le centre de la goupille repose sur le dessus de l'essieu.
- Répéter la procédure pour l'autre roue.

UTILISATION

DANGER :

Monoxyde de Carbone. Utiliser une génératrice à l'intérieur d'un bâtiment CAUSERA LA MORT EN QUELQUES MINUTES.

Le tuyau d'échappement de la génératrice contient un niveau élevé de monoxyde de carbone (CO), lequel s'avère être un gaz poison inodore et invisible. Si vous pouvez sentir les gaz du tuyau d'échappement de la génératrice, vous respirez du CO. Mais, même si vous ne pouvez pas sentir les gaz provenant du tuyau d'échappement, vous pourriez être en train de respirer du CO.

- Ne jamais utiliser une génératrice à l'intérieur d'une maison, des garages, des petits espaces, ou autres aires restreintes partiellement fermées. Des niveaux mortels de monoxyde de carbone peuvent s'accumuler dans ces aires restreintes. Utiliser un ventilateur ou ouvrir une fenêtre ou les portes NE fournie PAS assez d'air frais à respirer.
- Utilisez SEULEMENT la génératrice à l'extérieur et loin des fenêtres ouvertes, des portes ouvertes, et des bouches d'aérations. Ces ouvertures peuvent tirer l'air provenant du tuyau d'échappement.

Même si vous utilisez une génératrice correctement, des gaz CO peuvent toujours s'infiltrer dans la maison. TOUJOURS utiliser une alarme de monoxyde de carbone à piles dans votre maison.

Si vous ressentez que vous commencez à être étourdi ou faible suite au fonctionnement de la génératrice, allez prendre l'air frais IMMÉDIATEMENT. Consultez un médecin. Vous pourriez avoir un empoisonnement au monoxyde de carbone.

AVERTISSEMENT :

Le Code national de l'électricité n'exige pas que cette génératrice soit mise à la terre si elle est utilisée **uniquement** avec un équipement à cordon ou à connecteur mâle. Cependant, les autres méthodes utilisées avec cette génératrice nécessitent une mise à la terre afin de réduire le risque de décharge électrique et d'électrocution. Consulter un électricien qualifié, un inspecteur en électricité ou l'organisme local gérant les règlements locaux ou les lois afin de connaître les exigences de mise à la terre selon votre situation avant d'utiliser la génératrice.

AVERTISSEMENT :

La familiarité avec l'appareil ne doit pas faire oublier la vigilance. Ne pas oublier qu'une fraction de seconde d'inattention peut entraîner des blessures graves.

AVERTISSEMENT :

N'utiliser ni accessoires, ni outils non recommandés par le fabricant de ce produit. L'utilisation de pièces et accessoires non recommandés peut entraîner des blessures graves.

AVIS :

Ce produit est équipé d'un pare-étincelles qui a été évalué par le Service forestier des États-Unis; cependant, les utilisateurs du produit doivent respecter les réglementations locales et gouvernementales de lutte contre l'incendie. Consulter les autorités appropriées. Contacter le service à la clientèle ou avec un centre de réparations qualifié pour acheter un pare-étincelles de rechange.

UTILISATION

AVIS :

Avant chaque utilisation, inspecter au complet le produit afin de s'assurer qu'aucune pièce (vis, écrous, boulons, chapeaux, etc.) n'est endommagée, manquante ou desserrée. Serrer solidement toutes les pièces de fixation et les chapeaux et ne pas utiliser le produit tant que toutes les pièces manquantes ou endommagées n'ont pas été remplacées. Se il vous plaît communiquer avec le service à la clientèle ou un centre de réparations qualifié.

APPLICATIONS

Cé génératrice est conçu pour fournir une alimentation électrique pour le fonctionnement d'éclairages, d'appareils, d'outils et de charges de moteur compatibles.

AVANT D'UTILISER L'UNITÉ

- Utiliser seulement À L'EXTÉRIEUR et au moins à 6 m (20 pi) des loin de toutes fenêtres, portes ou bouches d'aération tel que recommandée par le Service de santé et les Centres pour le contrôle et la prévention des maladies américains. Le type de maison et les conditions du vent peuvent exiger une distance plus grande.
- NE JAMAIS utiliser à l'intérieur d'une maison ou d'un garage, MÊME SI les portes et les fenêtres sont ouvertes.
- Toujours poser la génératrice sur une surface stable et plate.

EXIGENCES PARTICULIÈRES :

Il existe peut-être des règlements en matière de santé et sécurité au travail (OSHA aux É.-U.), des règlements ou lois locales s'appliquant à l'utilisation prévue de cette génératrice.

Veillez consulter un électricien qualifié, un inspecteur en électricité ou un organisme local connaissant les codes et les règlements locaux :

- Certaines régions obligent l'enregistrement des génératrices auprès des entreprises de service locales.
- Des règlements additionnels peuvent être imposés lorsque la génératrice est utilisée sur un chantier de construction.

RÉLEVER ET ABAISSER LA POIGNÉE

Voir la figure 6.

- Relèvement le poignée (pour déplacer génératrice) : tirer sur le bouton de verrouillage de la poignée, relever la poignée, puis relâchez le bouton afin qu'il se mette en position de verrouillage. Insérer la goupille de verrouillage de la poignée dans la fente pour le verrouiller en place.
- Abaissement le poignée (pour mettre ou transporter génératrice) : tirer le bouton de verrouillage de la poignée vers l'extérieur puis abaisser la poignée en position basse.

Ne jamais utiliser la poignée pour soulever la génératrice. La poignée ne doit servir que pour rouler l'unité sur ses roues au moment du transport.

VÉRIFICATION / AJOUT DE LUBRIFIANT

Voir la figure 7.

AVIS :

Une tentative de démarrage du moteur avant le remplissage en lubrifiant correct entraîne une panne de l'équipement.

NOTE: Si un manuel du moteur est fourni avec ce produit, veuillez respecter le instructions présenté dans le manuel du moteur au lieu des l'information ci-dessous.

Le lubrifiant de moteur a une influence majeure sur la performance du moteur et la durée de service. De manière générale et pour toutes températures, de l'huile SAE 10W-30 est recommandée. Toujours utiliser une lubrifiant moteur à 4 temps conforme ou supérieure aux exigences de service SJAPI.

Ce moteur est doté d'un dispositif qui arrête le moteur lorsque le niveau de lubrifiant est incorrect. Le moteur ne redémarre pas tant que le niveau de lubrifiant correct n'est pas atteint.

NOTE : Des lubrifiants moteur 2 temps non détergentes endommageront le moteur et ne doivent pas être utilisées.

- Dévisser le capuchon d'huile/la jauge et les retirer.
- Essuyer la jauge et l'insérer de nouveau dans le trou sans visser.
- Retirer une nouvelle fois la jauge et vérifier le niveau de lubrifiant. Le niveau de lubrifiant doit se trouver dans la zone hachurée de la jauge.
- Si le niveau est bas, ajouter de le lubrifiant moteur jusqu'à ce que le niveau atteigne la portion supérieure sur la jauge.
- Réinstaller et serrer le bouchon d'huile/la jauge.

UTILISATION DE STABILISATEUR DE CARBURANT

Le carburant défraîchit, s'oxyde et se dégrade avec le temps. L'ajout de stabilisateur de carburant allonge la durée d'utilisation du carburant et permet d'éviter la formation de dépôts pouvant obstruer le circuit de carburant. Suivre les instructions du fabricant de stabilisateur de carburant pour le rapport stabilisateur/carburant correct.

- Mélanger le stabilisateur de carburant et le carburant avant de remplir le réservoir en utilisant un contenant à carburant ou tout autre récipient pour carburant approuvé et agiter légèrement pour bien mélanger.

NOTE : Pour maîtriser la quantité de stabilisateur de carburant à ajouter au moteur, toujours mélanger le stabilisateur de carburant et le carburant avant de remplir le réservoir plutôt qu'ajouter le stabilisateur de carburant directement dans le réservoir de carburant de la génératrice.

- Replacer et serrer le bouchon.
- Mettre le moteur en marche et le faire tourner pendant au moins cinq minutes pour que le stabilisateur pénètre dans tout le circuit de carburant.

UTILISATION

CARBURANTS À BASE D'ÉTHANOL

AVIS :

Ne pas utiliser d'essence E15 ou E85 dans ce produit. Une telle utilisation représente une violation de la loi fédérale et endommagera l'appareil et annulera la garantie. Utiliser seulement de l'essence sans plomb ne contenant pas plus de 10 % d'éthanol.

VÉRIFICATION / AJOUT DE CARBURANT

Voir la figure 8.



DANGER :

Risque d'incendie et de blessures graves : Ne jamais retirer le capuchon du réservoir d'essence pendant que l'appareil fonctionne. Éteindre le moteur et laisser refroidir l'appareil pendant au moins cinq minutes. Retirer lentement le capuchon.



AVERTISSEMENT :

L'essence et ses vapeurs sont extrêmement inflammables et explosives. Pour éviter blessures et dommages matériels, manipuler l'essence avec prudence. Garder à l'écart des sources d'allumage, manipuler en plein air uniquement, ne pas fumer lors de l'appoint de carburant et essuyer immédiatement tout carburant répandu.

Lors de l'appoint de carburant du génératrice, vérifier que la machine se trouve sur une surface plane et horizontale. Si le moteur est très chaud, laisser le génératrice refroidir pour cinq minutes avant d'ajouter de l'essence. TOUJOURS faire l'appoint de carburant à l'extérieur.

- Retirer lentement le bouchon du réservoir de carburant.
- Remplir le réservoir de carburant à 25 mm (1 po) en dessous du haut du goulot du réservoir de carburant.
- Remplacer et serrer le bouchon.



AVERTISSEMENT :

Toujours arrêter le moteur avant de faire le plein de carburant. Ne jamais retirer le bouchon du réservoir d'essence lorsque le moteur tourne ou est chaud. S'assurer que l'unité repose sur une surface plane, à niveau et de remplir seulement à l'extérieur. Si le moteur est chaud, laisser refroidir l'unité pendant au moins cinq (5) minutes avant d'ajouter de l'essence. Remettre immédiatement le bouchon du réservoir d'essence et le serrer fermement. S'éloigner d'au moins 9 m (30 pi) du point de ravitaillement avant de lancer le moteur. Ne pas fumer, et rester à l'écart des flammes vives et des étincelles ! Ne pas respecter ces instructions représente un risque d'incendie et de blessures graves.

NOTE : Toujours utiliser de l'essence sans plomb avec un indice d'octane de 86 ou plus. Ne jamais utiliser du carburant vieux, éventé ou contaminé et ne pas utiliser de mélange lubrifiant/carburant. Ne pas laisser la poussière ou l'eau pénétrer dans le réservoir de carburant. **Ne pas utiliser le carburant E85.**

MISE EN MARCHÉ DU MOTEUR

Voir les figures 9 à 11.

AVIS :

Sur une surface à niveau, avec le moteur sur arrêt, vérifier le niveau d'huile avant chaque utilisation du génératrice.

NOTE : Si l'emplacement de génératrice n'est pas à niveau, l'unité peut ne pas démarrer ou peut s'arrêter durant le fonctionnement.

- Débrancher toutes les charges du génératrice.
- Mettre le interrupteur de moteur / robinet de carburant / levier d'étrangleur en position **START (DÉMARRAGE)**.

NOTE : Si le moteur est chaud ou que la température est supérieure à 10 °C (50 °F), Mettre le interrupteur de moteur / robinet de carburant / levier d'étrangleur en position **RUN (MARCHÉ)**.

- Tirer la poignée de démarrage à rappel jusqu'à ce que le moteur démarre.

UTILISATION

NOTE : Ne pas laisser la poignée repartir brusquement en arrière après le démarrage. La ramener doucement à sa place d'origine.

- Laisser le moteur tourner pendant 15–30 secondes et mettre le interrupteur de moteur / robinet de carburant / levier d'étrangleur en position **RUN (MARCHE)**.

ARRÊT DU MOTEUR

Voir la figure 10.

Pour arrêter le moteur dans des conditions de fonctionnement normales :

- Retirer toute charge du génératrice.
- Mettre le interrupteur de moteur / robinet de carburant / levier d'étrangleur en position **OFF (ARRET)**.

Pour arrêter le moteur en cas d'urgence :

- Mettre le interrupteur de moteur / robinet de carburant / levier d'étrangleur en position **OFF (ARRET)**.



AVERTISSEMENT :

Pendant le fonctionnement ou lors du rangement, allouez un espace libre de 91,4 cm (3 pi) de chaque côté et au-dessus de la génératrice. Laisser refroidir l'appareil au moins 30 minutes avant de le ranger. La chaleur créée par le tuyau et les gaz d'échappement peut être suffisamment chaude pour causer des brûlures graves ou enflammer des objets combustibles.

DÉPLACEMENT DU GÉNÉRATRICE

Voir la figure 12.

- Éteindre le génératrice.
- Soulever la poignée en position verticale.
- Débrancher l'équipement qui est relié à la génératrice.

- S'assurer que le interrupteur de moteur / robinet de carburant / levier d'étrangleur sur en position **OFF (ARRET)**.

- Laisser la machine refroidir pendant environ 30 minutes avant de la remiser. S'assurer que le moteur et l'échappement de l'unité sont froids.

- Le pied sur l'arrière du cadre, incliner la machine vers soi, jusqu'à ce qu'elle soit en équilibre sur les roues, puis rouler la machine à l'endroit désiré.

SOULEVER LA GÉNÉRATRICE

Voir la figure 13.

- Éteindre le génératrice.
- Rabattre la poignée à la position abaissée. Ne jamais soulever ou porter ce produit par le guidon.

NOTE : Cet outil est lourd et exige que voie gens pour aient soulevé. Pour éviter des problèmes lombaires, garder les genoux pliés, soulever avec les jambes, pas avec le dos et demander de l'aide lorsque nécessaire.

FONCTIONNEMENT À ALTITUDE ÉLEVÉE

Ce moteur est configuré en usine pour fonctionner à une altitude inférieure à 609,6 m (2 000 pi). Le moteur doit être reconfiguré s'il doit fonctionner à plus de 609,6 m (2 000 pi) d'altitude. Faire fonctionner le moteur n'ayant pas la configuration requise selon une altitude donnée représente un risque d'augmentation des émissions, de diminution de la consommation d'essence, d'appauvrir la performance en plus de causer des dommages permanents. Les moteurs configurés pour fonctionnée à haute altitude ne peuvent pas être opérés selon des conditions d'altitudes habituelles. Un centre de réparations qualifié devrait pour assurer la bonne configuration du moteur selon l'endroit d'utilisation.

ENTRETIEN

L'entretien normal, le remplacement ou la réparation des dispositifs du système antipollution doit être fait par un magasin de réparation ou un technicien qualifié possédant les pièces d'origine ou équivalentes. La garantie et les rappels pour réparations peuvent être faits par un centre de réparations autorisé; pour obtenir de l'aide, veuillez communiquer avec le service à la clientèle.

AVERTISSEMENT :

Avant d'inspecter, nettoyer ou entretenir l'équipement, couper le moteur, attendre que toutes les pièces en mouvement s'arrêtent, déconnecter le fil de la bougie et l'écarter de la bougie. Laisser « refroidir » l'appareil pendant 30 minutes avant de procéder à un entretien. Le non-respect de ces instructions peut entraîner des blessures graves ou des dégâts matériels.

AVERTISSEMENT :

Utiliser exclusivement des pièces recommandées ou équivalentes à celles d'origine pour les réparations. L'utilisation de toute autre pièce peut créer une situation dangereuse ou endommager le produit.

AVIS :

Inspecter périodiquement au complet le produit afin de s'assurer qu'aucune pièce (vis, écrous, boulons, chapeaux, etc.) n'est endommagée, manquante ou desserrée. Serrer solidement toutes les pièces de fixation et les chapeaux et ne pas utiliser le produit tant que toutes les pièces manquantes ou endommagées n'ont pas été remplacées. Pour obtenir de l'aide, veuillez communiquer avec le Service à la clientèle ou un centre de réparations qualifié.

ENTRETIEN GÉNÉRAL

Conserver le générateur dans un environnement propre et sec sans exposition à la poussière, la saleté, l'humidité ou des vapeurs corrosives. Ne pas laisser les événements de refroidissement du générateur s'obstruer avec des feuilles, de la neige, etc.

Ne pas utiliser un tuyau de jardinage pour nettoyer le générateur. De l'eau pénétrant dans le circuit de carburant ou d'autres pièces internes de l'unité peut causer des problèmes réduisant la durée de vie du générateur.

Pour nettoyer l'unité :

- Utiliser une brosse à poils doux et/ou un aspirateur pour détacher et retirer la saleté et les débris.
- Nettoyer les événements à pression basse ne dépassant pas 25 psi.
- Essuyer les surfaces extérieures du générateur avec un chiffon humide.

INSPECTION / NETTOYAGE DU FILTRE À AIR

Voir la figure 14.

Pour assurer un fonctionnement correct et une longue vie utile, garder les filtres à air propres.

- Faire tourner le bouton vers la gauche pour libérer le couvercle. Retirer le couvercle et mettre de côté.
- Retirer les éléments du filtre à air.
- Si les éléments du filtre à air sont sales, les nettoyer avec de l'eau savonneuse chaude. Rincer et laisser sécher.
- Appliquer une légère couche d'huile moteur sur les éléments puis l'essorer.
- Replacer les éléments dans le filtre à air.
- Replacer le couvercle du filtre à air et tourner le bouton à droite pour serrer.

NOTE : Ne pas faire tourner le générateur sans le filtre à air. Ceci entraînerait une usure rapide du moteur.

VIDANGE DE LE LUBRIFIANT MOTEUR

Voir la figure 15.

- Retirer le bouchon/la jauge d'huile.
- Placer un récipient sous la huiler le bouchon d'égout pour recueillir le lubrifiant vidangé.
- Dévisser et retirer huiler le bouchon d'égout.
- Laisser le lubrifiant se vidanger complètement.

NOTE : Vidanger le lubrifiant pendant que le moteur est encore tiède mais pas brûlant. Le lubrifiant tiède s'écoule plus rapidement et plus complètement.

AVERTISSEMENT :

Ne pas changer le lubrifiant du moteur pendant qu'il est chaud. Un contact accidentel avec un lubrifiant pour moteur chaud peut provoquer des blessures graves.

- Réinstaller la huiler le bouchon d'égout et bien serrer.
- Remplir de lubrifiant en suivant les instructions de la section **Vérification/ajout de lubrifiant**. Pour connaître le volume de remplissage de lubrifiant, consulter les **Fiche technique** au début du manuel ou le manuel fourni avec le moteur, si nécessaire.
- Réinstaller la jauge d'huile.

NOTE : Le lubrifiant usé doit être éliminé auprès d'un site approuvé. Voir le détaillant d'huile local pour plus d'informations.

ENTRETIEN DE LA BOUGIE

Voir la figure 16.

L'écartement de la bougie doit être vérifié et la bougie doit être exempte de dépôts pour que le moteur fonctionne correctement. Pour vérifier :

- Retirer le bouchon de la bougie.
- Nettoyer la saleté autour de la base de la bougie.
- Retirer la bougie à l'aide de la clé fournie (non inclus).
- Inspecter la bougie pour vérifier qu'elle n'est pas endommagée et la nettoyer avec une brosse métallique avant de la réinstaller. Si l'isolateur est fissuré ou écaillé, remplacer la bougie. Pour remplacer la bougie, consulter les **Fiche technique** au début du manuel ou le manuel fourni avec le moteur, si nécessaire.
- Mesurer l'écartement de la bougie. L'écartement correct est de 0,7-0,8 mm (0,028–0,031 po). Pour augmenter l'écartement, si nécessaire, courber avec précaution l'électrode de terre (supérieure). Pour réduire l'écartement, taper doucement l'électrode de terre sur une surface dure.
- Installer la bougie ; la visser à la main pour éviter de foirer le filetage.
- Serrer avec la clé pour comprimer la rondelle. Si la bougie est neuve, utiliser 1/2 tour pour comprimer la rondelle. Si elle est usée, utiliser 1/8 à 1/4 de tour pour comprimer la rondelle.

NOTE : Une bougie mal serrée devient très chaude et peut endommager le moteur.

NETTOYAGE DE L'ORIFICE D'ÉCHAPPEMENT ET DU SILENCIEUX

Selon le type de carburant utilisé, le type et la quantité de lubrifiant utilisée et/ou les conditions d'utilisation, l'orifice d'échappement et le silencieux peuvent être obstrués par de la calamine. Si l'appareil fonctionnant avec de l'essence semble avoir perdu de la puissance, cette calamine doit être éliminée pour restaurer le fonctionnement normal. Il est vivement recommandé de confier ce travail à un technicien qualifié.

PARE-ÉTINCELLES

Voir la figure 17.

AVIS :

Ce produit est équipé d'un pare-étincelles qui a été évalué par le Service forestier des États-Unis; cependant, les utilisateurs du produit doivent respecter les réglementations locales et gouvernementales de lutte contre l'incendie. Consulter les autorités appropriées. Contacter le service à la clientèle ou avec un centre de réparations qualifié pour acheter un pare-étincelles de rechange.

- Inspecter le l'écran du pare-étincelles pour des fissures ou des trous. Le remplacer au besoin.
- Au besoin, utiliser une brosse (pas inclus) pour enlever les dépôts de calamine sur l'écran du pare-étincelles.

VIDANGE DU RÉSERVOIR DE CARBURANT / CARBURATEUR

Voir les figures 18 à 19.

Afin de prévenir les dépôts de gommages dans le circuit de carburant, vidanger le carburant du réservoir et du carburateur avant de le remiser.

VIDANGE DU RÉSERVOIR DE CARBURANT

- Mettre le interrupteur de moteur / robinet de carburant / levier d'étrangleur en position **OFF (ARRET)**.
- Retirer le conduit d'essence du raccord à tuyau cannelé en pressant les extrémités de l'étrier puis faire glisser le conduit d'essence pour le retirer.
NOTE : S'assurer que la conduite de carburant située entre le robinet à essence et le carburateur est retirée, et **NON** la conduite située entre le robinet à essence et le réservoir à essence.
- Installer une extrémité du tuyau de vidange (non fourni) sur le raccord à tuyau cannelé et placer l'autre extrémité dans un récipient suffisamment large pour contenir le carburant vidangé.
- Mettre le interrupteur de moteur / robinet de carburant / levier d'étrangleur en position **RUN (MARCHÉ)**.
- Lorsque l'essence du réservoir a été vidée, placer le interrupteur de moteur / robinet de carburant / levier d'étrangleur à la position **OFF (ARRET)** et réinstaller correctement le conduit d'essence au raccord à tuyau cannelé.

VIDANGE DU CARBURANT DU CARBURATEUR

- Mettre le interrupteur de moteur / robinet de carburant / levier d'étrangleur en position **OFF (ARRET)**.
- Placer un récipient adapté sous la vis de vidange du carburateur pour recueillir le carburant ; desserrer la vis.
- Laisser le carburant se vidanger complètement dans le récipient.
- Resserrer la vis de vidange.

NOTE : Consulter les directives d'élimination des déchets locales pour éliminer le carburant correctement.

REPLACEMENT DU FILTRE À ESSENCE

Voir la figure 20.

Parfois, le filtre à essence peut s'encrasser, et c'est pourquoi il est nécessaire de le remplacer. Pour se procurer un filtre à essence de remplacement, veuillez communiquer avec le service à la clientèle ou un centre de réparations qualifié.

NOTE: Il est nécessaire de vider le réservoir à essence avant de remplacer le filtre à essence. Au besoin, faire fonctionner l'unité jusqu'à ce que le réservoir soit vide, ou examiner le filtre avant le remplissage.

- Mettre le interrupteur de moteur / robinet de carburant / levier d'étrangleur en position **OFF (ARRET)**.
- Retirer le conduit à essence des deux côtés du filtre en appuyant sur les extrémités de l'agrafe de butée à l'aide de pinces.
- Retirer le conduit à essence en le glissant.
- Le remplacer par un nouveau filtre à essence.
- Réinstaller les conduits à essence sur le nouveau filtre à essence.

TRANSPORT

- S'assurer que le interrupteur de moteur / robinet de carburant / levier d'étrangleur sur en position **OFF (ARRET)**.
- Laisser refroidir pendant 30 minutes avant de transporter l'outil. S'assurer que le moteur et l'échappement de l'unité sont froids.
- Ne pas faire chuter, heurter ou placer l'unité sous de lourds objets.
- Pour le transport à bord d'un véhicule, vider le réservoir de carburant, et arrimer solidement la génératrice.
- Installer une feuille de plastique ou un coussinet absorbant sous la génératrice pour recueillir toutes les gouttes d'essence ou de lubrifiant lors du rangement ou du transport.

ENTRETIEN

REMISAGE

Lors de la préparation du générateur pour le remisage, laisser l'appareil refroidir pour 30 minutes puis suivre les instructions ci-dessous.

DURÉE DU REMISAGE	PRIOR TO STORING
Moins d'2 mois	<ul style="list-style-type: none"> ■ Vidanger l'essence du réservoir et la disposer dans un récipient adapté selon les règlements nationaux et locaux en vigueur.
2 mois à 1 an	<ul style="list-style-type: none"> ■ Vidanger le carburant du carburateur. ■ Vidanger l'essence du réservoir et la disposer dans un récipient adapté selon les règlements nationaux et locaux en vigueur.
1 an ou plus	<ul style="list-style-type: none"> ■ Vidanger le carburant du carburateur. ■ Retirer la bougie. ■ Vidanger l'essence du réservoir et la disposer dans un récipient adapté selon les règlements nationaux et locaux en vigueur. ■ Placer une cuillère à soupe de lubrifiant moteur dans le cylindre de la bougie. Faire tourner lentement le moteur avec le cordon pour répartir le lubrifiant. ■ Réinstaller la bougie. ■ Vidanger l'huile moteur. <p>Après le remisage :</p> <ul style="list-style-type: none"> ■ Remplir d'essence fraîche.

NOTE : Si l'essence est entreposée dans un contenant adéquat pour une utilisation ultérieure, s'assurer qu'un stabilisateur de carburant est ajouté à l'essence conformément aux instructions de son fabricant.

CALENDRIER D'ENTRETIEN

NOTE : Si un autre manuel du moteur est fourni avec cette génératrice, veuillez respecter le calendrier d'entretien présenté dans le manuel du moteur au lieu de suivre les instructions d'entretien décrites ci-dessous.

	Avant chaque utilisation	Après 1 mois ou 20 heures de fonctionnement	Tous les 3 mois ou 50 heures de fonctionnement	Tous les 6 mois ou 100 heures de fonctionnement	Chaque année ou toutes les 300 heures de fonctionnement
Vérifier la lubrifiant moteur	■				
Changer la lubrifiant moteur ²		■		■	
Vérifier le filtre à air	■				
Nettoyer le filtre à air			■		
Remplacer le filtre à air ²					■
Vérifier/régler l'écartement de la bougie				■	
Remplacer la bougie ²					■
Vérifier/nettoyer le pare-étincelles				■	
Vérifier/régler le ralenti					■
Vérifier/régler le jeu des soupapes ^{1,2}					■
Nettoyer le réservoir de carburant et le filtre ^{1,2}				■	
Vérifier de tuyaux de carburant	■				■
Filtre à carburant	Inspecter				Remplacer
Vérifier tous raccords de tuyaux	■				■
Inspecter le évent de vapeur du réservoir de carburant (si présent)	■				■
Inspecter la boîte de carbone (modèles CARB seulement)	■				■

1. Ceci ne doit être effectué que par un centre de réparations qualifié.

2. Consulter le manuel du moteur pour prendre connaissance du calendrier d'entretien de cet article.

NOTE : L'entretien doit être effectué plus fréquemment lorsque le générateur est utilisé dans des zones poussiéreuses. Lorsque le générateur a dépassé les valeurs maximum indiquées dans le tableau, l'entretien doit continuer à être effectué selon les intervalles ou aux fréquences indiqués.

DÉPANNAGE

PROBLÈME	CAUSE POSSIBLE	SOLUTION
Le moteur ne démarre pas.	<p>Pas de carburant.</p> <p>Carburant trop vieux ou présence d'eau dans le carburant.</p> <p>Niveau de lubrifiant bas.</p> <p>Bougie défectueuse, encrassée ou mal écartée.</p> <p>Le interrupteur de moteur / robinet de carburant / levier d'étrangleur est en position OFF ou RUN (MARCHÉ).</p> <p>Moteur remisé sans traitement ou vidange de l'essence, ou plein fait avec un mauvais carburant.</p> <p>Le filtre à carburant est sale.</p>	<p>Remplir le réservoir de carburant.</p> <p>Vidanger l'ensemble du système et remplir de carburant frais.</p> <p>Le moteur est équipé d'un arrêt en cas de bas niveau de lubrifiant. Remplir le réservoir, si le niveau de lubrifiant du moteur est trop bas, avant de démarrer la génératrice. Vérifier le niveau de lubrifiant moteur et faire l'appoint si nécessaire.</p> <p>Remplacer la bougie.</p> <p>Tirer le interrupteur de moteur / robinet de carburant / levier d'étrangleur sur START (DÉMARRAGE).</p> <p>Vidanger le carburant et le carburateur. Remplir d'essence fraîche.</p> <p>Remplacer le filtre à carburant ou contacter un centre de réparations qualifié.</p>
Moteur difficile à démarrer.	<p>Eau dans le carburant.</p> <p>Étincelle de bougie faible.</p>	<p>Vidanger l'ensemble du système et remplir de carburant frais.</p> <p>Remplacer la bougie ou contacter un centre de réparations qualifié.</p>
Le moteur manque de puissance.	<p>Filtre à air encrassé.</p> <p>Moteur remisé sans traitement ou vidange de l'essence, ou plein fait avec un mauvais carburant.</p>	<p>Vérifier le élément du filtre à air. Nettoyer ou remplacer selon le besoin.</p> <p>Vidanger le carburant et le carburateur. Remplir d'essence fraîche.</p>
La prise c.a. ne fonctionne pas.	<p>Disjoncteur débranché.</p> <p>L'appareil branché est défectueux.</p>	<p>Réinitialisez à nouveau le disjoncteur c.a.</p> <p>Essayer un autre article.</p>
Le génératrice émet un cognement ou un cliquettement.	<p>Un cognement ou un cliquettement sous une lourde charge est normal. Cependant, s'il a lieu sous une charge normale à un régime moteur régulier, le problème peut provenir de la marque de carburant utilisée.</p>	<p>Choisir une autre marque et s'assurer que l'indice d'octane est supérieur ou égal à 86. Si le problème continue, contacter le centre de réparations qualifié.</p>

Si le problème persiste après avoir essayé les solutions ci-dessus, contacter le service à la clientèle ou un centre de réparations qualifié pour obtenir de l'aide.

AVIS :

Le propriétaire de cet équipement est tenu d'effectuer les entretiens requis indiqués dans la section *Entretien*. Il est recommandé de conserver tous les reçus d'entretien de votre équipement. La négligence ou l'oubli de procéder à l'entretien requis représente un risque d'augmentation des émissions, de diminuer le rendement énergétique, de nuire à la performance, créer des bris irréparables du moteur et de annuleront la garantie.

GARANTIE

ÉNONCÉ DE LA GARANTIE LIMITÉE

Techtronic Industries North America, Inc., garantit à l'acheteur original que ce produit RYOBI™ est exempt de tous vices de matériaux ou de fabrication et s'engage à réparer ou remplacer gratuitement, à son choix, tout produit s'avérant défectueux au cours des périodes indiquées ci-dessous, à compter de la date d'achat.

- Trois ans sur les produits utilisés par des particuliers ;
- 90 jours sur les produits utilisés à toutes autres fins, telles que les travaux commerciaux et la location.

Cette garantie n'est offerte qu'à l'acheteur original et entre en vigueur à la date de l'achat original.

Toute pièce de ce produit jugée, après évaluation raisonnable par Techtronic Industries North America, Inc., comme présentant des vices de matériaux ou de fabrication, sera réparée ou remplacée, sans facturation pour pièces ou main d'oeuvre par un centre de réparations agréé pour produits d'extérieur de marque RYOBI™ (centre de réparations Ryobi agréé).

Le produit, y compris toutes les pièces défectueuses devront être retournés à un centre de réparations Ryobi agréé, avant expiration de la période de garantie. Les frais d'expédition au centre de réparations pour les travaux sous garantie et de retour au propriétaire du produit seront assumés par le propriétaire. En ce qui concerne les réclamations en garantie, la responsabilité Techtronic Industries North America, Inc., se limitera à la réparation ou au remplacement des produits défectueux et aucune revendication de rupture de garantie ne pourra causer l'annulation ou la résiliation du contrat de vente d'un produit d'extérieur RYOBI™ quel qu'il soit. Une preuve d'achat sera exigée par le centre de réparation, afin de valider toute réclamation au titre de la garantie. Toutes les réparations sous garantie devront être effectuées par un centre de réparations agréé.

La garantie sur tout produit d'extérieur RYOBI™ utilisé pour la location, des travaux commerciaux ou tout autre usage lucratif, sera limitée à quatre-vingt-dix (90) jours, à compter de la date d'achat au détail original.

Cette garantie ne couvre pas les produits ayant fait l'objet d'un usage abusif ou négligent, d'une mauvaise utilisation ou d'un manque d'entretien, ou ayant été impliqués dans un accident, soumis aux effets de la corrosion ou employés de façon contraire aux instructions du manuel d'utilisation. Cette garantie ne couvre ni les dommages aux produits résultant d'un manque d'entretien, ni les produits qui ont été altérés ou modifiés. La garantie exclut les réparations rendues nécessaires par l'usure normale ou l'utilisation de pièces et d'accessoires incompatibles avec ce produit extérieur de marque RYOBI™ ou nuisibles à son bon fonctionnement, ses performances ou sa durabilité.

En outre, la présente garantie exclut:

Les réglages - Bougies, carburateur, réglages du carburateur, allumage, filtres, changement d'huile

L'usure des pièces - corde du lanceur, balais de moteur, balais d'alternateur, goupilles en épingle à cheveux, meules, tuyau haute pression, lance d'arrosage, buses, poignée à gâchette, tuyaux d'alimentation, raccords rapides, joints, vannes, pistons, ensembles de soupape de pompe, joints toriques, joints d'eau et d'huile, réservoirs de détergent.

IMPORTANT : Certains composants n'étant pas couverts par cette garantie peuvent être couverts par une garantie distincte émise par le fabricant du moteur. Veuillez consulter la garantie du fabricant du moteur (si c'est le cas) fournie avec ce produit pour en savoir plus.

L'entreprise n'assumera en aucun cas les frais liés à la réparation ou à l'ajustement du produit, ou les coûts associés à des tâches pour lesquelles elle n'a pas donné son consentement.

Techtronic Industries North America, Inc., se réserve le droit d'apporter des modifications ou améliorations à tout produit extérieur RYOBI™, sans obligation de modifier les produits fabriqués antérieurement.

LA DURÉE DE TOUTES LES GARANTIES IMPLICITES NE SAURAIT EN AUCUN CAS EXCÉDER LA PÉRIODE DE GARANTIE DÉCLARÉE. PAR CONSÉQUENT, TOUTES LES GARANTIES IMPLICITES, Y COMPRIS LES GARANTIES DE VALEUR MARCHANDE OU D'ADÉQUATION À UN USAGE PARTICULIER OU AUTRES SERONT INVALIDÉES À L'EXPIRATION DE LA PÉRIODE DE GARANTIE APPROPRIÉE DE TROIS ANS OU QUATRE-VINGT-DIX JOURS. LES OBLIGATIONS DE TECHTRONIC INDUSTRIES NORTH AMERICA, INC., DANS LE CADRE DE CETTE GARANTIE SE LIMITENT EXCLUSIVEMENT À LA RÉPARATION OU AU REMPLACEMENT DES PIÈCES DÉFECTUEUSES ET TECHTRONIC INDUSTRIES NORTH AMERICA, INC. N'ASSUME OU N'AUTORISE QUICUNQUE À ASSUMER QUELQUE AUTRE OBLIGATION QUE CE SOIT. CERTAINS ÉTATS ET PROVINCES NE PERMETTANT PAS DE LIMITATION DE DURÉE DES GARANTIES IMPLICITES, LES RESTRICTIONS CI-DESSOUS PEUVENT NE PAS ÊTRE APPLICABLES. TECHTRONIC INDUSTRIES NORTH AMERICA, INC., DÉCLINE TOUTE RESPONSABILITÉ EN CE QUI CONCERNE LES DOMMAGES DIRECTS, INDIRECTS OU AUTRES, Y COMPRIS, MAIS SANS S'Y LIMITER, LES FRAIS DE RETOUR DE PRODUITS À UN CENTRE DE RÉPARATION RYOBI AGRÉÉ ET DE RENVOI AU PROPRIÉTAIRE, DE DÉPLACEMENT D'UN TECHNICIEN, DE TÉLÉPHONE OU TÉLÉGRAMME, DE LOCATION D'UN PRODUIT SIMILAIRE PENDANT LA DURÉE DES RÉPARATIONS SOUS GARANTIE, DE DÉPLACEMENT, DE PERTES OU DOMMAGES À DES BIENS PERSONNELS, DE MANQUE À GAGNER, DE PERTE D'USAGE DU PRODUIT, DE PERTE DE TEMPS OU DE DÉRANGEMENT. CERTAINS ÉTATS ET PROVINCES NE PERMETTANT L'EXCLUSION OU LA LIMITATION DES DOMMAGES DIRECTS OU INDIRECTS, LES RESTRICTIONS CI-DESSOUS PEUVENT NE PAS ÊTRE APPLICABLES.

Cette garantie donne au consommateur des droits spécifiques, et celui-ci peut bénéficier d'autres droits, qui varient selon les états ou provinces.

Cette garantie couvre tous les produits d'extérieur RYOBI™ fabriqués par Techtronic Industries North America, Inc., vendus aux États-Unis et au Canada.

Pour obtenir l'adresse du centre de réparations Ryobi agréé le plus proche, appeler le 1-800-860-4050.

GARANTIE

GARANTIE LIMITÉE DU MOTEUR

DUCAR Corporation réparera ou remplacera sans frais toutes les pièces du moteur avec dont le matériau est défectueux ou présentant un défaut de fabrication ou les deux. Les frais de transport du produit présenté pour une réparation ou un remplacement au titre de la garantie devront être déboursés par l'acheteur. Cette garantie est en vigueur et sujette à la durée et aux conditions énumérées ci-dessous. Pour une réparation au titre de la garantie, trouver le centre de réparations agréé en utilisant le localisateur chez DUCAR.

Il n'existe aucune autre garantie expresse. Les garanties implicites, incluant celles de qualité marchande et d'aptitude à un usage particulier, sont limitées à deux (2) ans à compter de la date d'achat, ou à la période de prolongation autorisée par la loi et toutes les garanties implicites sont exclues. La période de garantie débute à la date d'achat par le premier consommateur ou utilisateur commercial final. La responsabilité pour les dommages accessoires ou indirects est exclue pourvu qu'autorisée par la loi. Certains états et provinces ne permettant pas de limitation sur la durée des garanties implicites, et/ou l'exclusion ou la limitation des dommages accessoires ou indirects, les restrictions ci-dessus peuvent ne pas être applicables. Cette garantie donne au consommateur des droits spécifiques, et celui-ci peut bénéficier d'autres droits, qui varient selon les états ou provinces.

Aucun enregistrement de garantie nécessaire pour obtenir la garantie DUCAR. Conserver votre preuve d'achat. Si une preuve de date d'achat d'origine ne peut être fournie au moment de la demande de service au titre de la garantie, la date du fabricant du produit sera utilisée pour déterminer la période de garantie.

AU SUJET DE VOTRE GARANTIE

DUCAR accepte les réparations au titre de la garantie et s'excuse pour les inconvénients que cela vous cause. Tous les centres de réparations agréés peuvent effectuer les réparations au titre de la garantie. La plupart des réparations au titre de la garantie sont traitées de façon routinière, mais quelquefois, les demandes de réparations au titre de la garantie sont erronées.

Si un consommateur est en désaccord avec la décision du centre de réparations, une enquête sera faite afin de déterminer si la garantie s'applique. Demander au centre de réparations de soumettre tous les faits et justifications au distributeur ou à l'usine pour en faire la révision. Si le distributeur ou l'usine décide que la plainte est justifiée, le client sera remboursé en totalité pour les articles défectueux. Pour éviter la mésentente pouvant survenir entre le consommateur et le détaillant, voir la liste ci-dessous énumérant quelques situations pouvant provoquer le bris du moteur n'étant pas couvertes par la garantie.

Usure normale : Les moteurs, tout comme les dispositifs mécaniques, nécessitent un entretien et le remplacement de certaines pièces de façon périodique afin de pouvoir fonctionner correctement. La garantie ne couvre pas la réparation lorsque durée de vie d'une pièce ou d'un moteur est dépassée. La garantie ne s'applique pas si le moteur a été endommagé par suite d'un usage abusif, d'un entretien périodique non effectué, la livraison, la manipulation, l'entreposage ou par une installation incorrecte. La garantie s'annule également si le numéro de série du moteur a été retiré ou si le moteur a été altéré ou modifié.

Entretien inadéquat : La durée de vie d'un moteur dépend de ces conditions de fonctionnement et du soin qu'on lui a apporté. Quelques applications, comme les atteleurs, pompes et faucheuses à axe horizontal sont souvent utilisés dans des conditions poussiéreuses ou sales pouvant causer ce qui semble être une usure prématurée. Une telle usure, lorsque causée par la

saleté, la poussière, le nettoyage abrasif de la bougie ou d'autres matériaux abrasifs ayant pénétré dans le moteur à cause d'un entretien inadéquat n'est pas couverte par la garantie.

Cette garantie ne couvre que les matériaux défectueux et/ou défauts de fabrication du moteur et non le remplacement ou le remboursement de l'équipement sur lequel le moteur a été monté. La garantie ne couvre pas les réparations nécessaires causées par :

1. Les problèmes causés par des pièces autres que DUCAR.
2. Commandes ou installations d'équipement empêchant le démarrage, causant le mauvais rendement du moteur ou raccourcissant la durée de vie du moteur. (Communiquer avec le fabricant d'équipement.)
3. Des carburateurs qui fuient, des conduites d'essence obstruées, des soupapes collées, et autres dommages, causés par l'utilisation de carburant contaminé ou éventé.
4. Les pièces rayées ou brisées provoquées par un fonctionnement de moteur avec peu d'huile ou de l'huile contaminée, ou un grade d'huile inadéquat (vérifier et remplir lorsque nécessaire et changer selon les intervalles recommandés). OIL GARD peut ne pas éteindre le moteur en marche. Un dommage au moteur peut survenir si le niveau d'huile n'est pas maintenu correctement.
5. Les réparations ou réglages des pièces ou assemblages associés comme les embrayages, transmissions, télécommandes, et autres pièces non fabriquées par DUCAR.
6. Dommage ou usure de pièces occasionnés par la saleté ayant pénétré dans le moteur à cause d'un entretien inadéquat du filtre à air, remontage ou utilisation d'un élément du filtre à air ou cartouche n'étant pas d'origine. Aux intervalles recommandés, nettoyer et/ou remplacer le filtre comme décrit dans le manuel d'utilisation.
7. Pièces endommagées par une vitesse de pointe excessive ou la surchauffe causée par l'herbe, débris ou saletés obstruant ou bouchant les ailettes de refroidissement, ou la zone du volant de moteur, ou dommage causé par le fonctionnement d'un moteur dans un endroit clos sans ventilation suffisante. Nettoyer les débris du moteur selon les intervalles recommandés et décrits dans le manuel d'utilisation.
8. Le moteur et les pièces d'équipement brisées par une vibration excessive provoquée par un montage lâche du moteur, des lames de coupe lâches, des lames déséquilibrées ou des impulseurs lâches ou déséquilibrés, un accessoire inadéquat fixé à l'arbre moteur, la vitesse de pointe trop élevée ou autre abus lors du fonctionnement.
9. Un arbre moteur plié ou brisé causé par un impact sur un objet dur avec la lame de coupe d'une faucheuse à axe horizontal ou un serrage excessif de la courroie en V.
10. Mise au point régulière ou réglage du moteur.
11. Le moteur ou un bris de composant du moteur comme la chambre de combustion, les soupapes, sièges de soupapes, ou bobinage d'un démarreur de moteur brûlé, causé par une alternance de carburants comme du gaz de pétrole liquéfié, gaz naturel, essence altérée, etc.

POUR TOUTE QUESTION CONCERNANT VOS DROITS ET VOS RESPONSABILITÉS AU TITRE DE LA GARANTIE, VEUILLEZ COMMUNIQUER AVEC OWT INDUSTRIES, INC., AU NUMÉRO SUIVANT : 1-800-726-5760.

Para registrar su producto de Ryobi, por favor visita: www.ryobitools.com

**UBIQUE EL GENERADOR A UNA DISTANCIA DE POR LO MENOS 6 M (20 PIES)*
PARA REDUCIR EL RIESGO DE QUE EL MONÓXIDO DE CARBONO
INGRESE EN LA CASA**

** Distancia mínima recomendada por el Departamento de Salud y Servicios Humanos y por los Centros para el Control y la Prevención de Enfermedades de los Estados Unidos (www.cdc.gov/co). Las condiciones particulares de su casa o del viento puede requerir una distancia adicional.*



**← MANTEGA UNA DISTANCIA DE
POR LO MENOS 6 M (20 PIES)* →**

Utilícelo únicamente **EN EL EXTERIOR**
y **ALEJADO** de ventanas, puertas y
orificios de ventilación.



⚠️ ADVERTENCIA:

CONEXIÓN A TIERRA DEL GENERADOR

Si este generador se utiliza **únicamente** con aparatos conectados con cable y enchufe, el Código Eléctrico Nacional no exige que la unidad esté puesta a tierra. Sin embargo, si se usa el generador de otra forma, podría ser necesario ponerlo a tierra para reducir el riesgo de descargas eléctricas o electrocución. Antes de usar el generador, consulte a un electricista calificado, un inspector eléctrico o un organismo local que tenga jurisdicción para saber si es necesario ponerlo a tierra en su situación.

Si es necesario poner a tierra la unidad, deben utilizarse la tuerca y el terminal de conexión a tierra del bastidor para conectar el generador a una fuente apropiada de conexión a tierra. La conexión a tierra debe realizarse con alambre calibre N° 8. Conecte el terminal del alambre de conexión a tierra entre la arandela y la tuerca, y apriete firmemente la tuerca. Conecte el otro extremo del alambre firmemente a una fuente apropiada de conexión a tierra que esté en contacto con el suelo a lo largo de una distancia de al menos 2,4 m (8 pies).

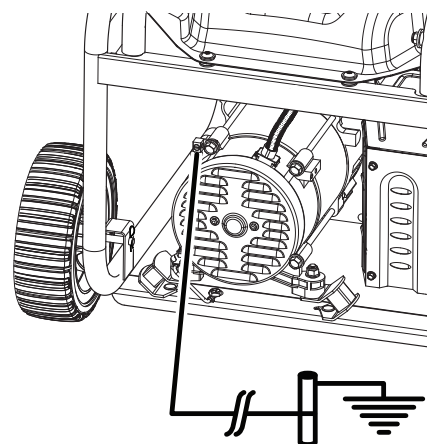
El Código Eléctrico Nacional especifica varias maneras prácticas para establecer una buena fuente de conexión a tierra. Si se utiliza una barra de acero o de hierro, éste debe ser de 15,9 mm (5/8 pulg.) de diámetro, y si se utiliza una barra no ferrosa, ésta debe ser de 13 mm (1/2 pulg.) de diámetro como mínimo y estar listada como material adecuado para conexión a tierra. Si encuentra un estrato rocoso antes de llegar a una profundidad de 2,4 m (8 pies), clave la jabalina de puesta a tierra a un ángulo de a lo sumo 45°. Si aun así la jabalina se encuentra con el estrato rocoso, se la puede enterrar en una trinchera de al menos 75 cm (30 pulg.) de profundidad. En cualquier caso, el extremo superior de la jabalina debe estar al ras del suelo (o por debajo del rasante) o protegido de posibles daños físicos por otro medio.

Todas las herramientas eléctricas y aparatos alimentados por este generador deben conectarse apropiadamente a tierra mediante el uso de un tercer alambre o tener un diseño con “doble aislamiento”.

Se recomienda:

1. Usar dispositivos eléctricos con clavija de tres patillas conectada a tierra.
2. Para asegurar la continuidad de la protección a tierra del generador al dispositivo, utilice un cordón de extensión para uso a la intemperie con un receptáculo de tres orificios en un extremo y una clavija de tres patillas en el otro.

Revise y cumpla con todas las reglas federales, estatales y locales relevantes en relación con las especificaciones de conexión a tierra. Consulte a un electricista calificado o técnico de servicio si no ha comprendido completamente las instrucciones de conexión a tierra o si no está seguro si el generador está conectado a tierra correctamente.



INSTRUCCIONES DE SEGURIDAD IMPORTANTES

PELIGRO:

Monóxido de carbono. Usar un generador en el interior LO MATARÁ EN POCOS MINUTOS.

Los gases de escape del generador contienen niveles altos de monóxido de carbono (CO), un gas venenoso que no puede verse ni olerse. Si puede oler los gases de escape del generador, está respirando CO. Pero incluso si no puede oler los gases de escape, es posible que esté respirando CO.

- Nunca use un generador dentro de su hogar, garaje, sótano, ni demás espacios parcialmente encerrados. En dichos espacios, pueden acumularse niveles mortales de monóxido de carbono. Usar un ventilador o abrir puertas y ventanas NO proporciona suficiente aire fresco.
- SÓLO utilice el generador al aire libre y lejos de ventanas, puertas y respiraderos abiertos. Estas aberturas pueden atraer los gases de escape del generador.

Incluso si utiliza el generador correctamente, el CO puede ingresar en su hogar. SIEMPRE utilice una alarma de CO de pilas o con pilas de respaldo en su hogar.

Si comienza a sentirse descompuesto, mareado o débil luego de que el generador estuvo funcionando, trasládese adonde haya aire fresco INMEDIATAMENTE. Vea a un doctor. Puede sufrir intoxicación por monóxido de carbono.

ADVERTENCIA:

Lea y comprenda todas las instrucciones. El incumplimiento de cualquiera de las instrucciones siguientes puede causar electrocución, incendio o intoxicación por monóxido de carbono, lo cual puede causar la muerte o lesiones graves.

ADVERTENCIA:

En ciertas aplicaciones, el Reglamento Nacional de Electricidad exige que el generador esté conectado a una tierra aprobada. Antes de utilizar la terminal de tierra, consulte a un electricista calificado, inspector de instalaciones eléctricas u organismo gubernamental de la localidad en lo referente a las reglas y disposiciones relacionadas con el uso deseado del generador.

GUARDE ESTAS INSTRUCCIONES

Este manual contiene importantes instrucciones que se deben seguir durante la instalación y las actividades de mantenimiento del generador y las baterías.

- No conecte la unidad al sistema eléctrico de un edificio a menos que el generador y el interruptor de transferencia se hayan instalado correctamente y que un electricista calificado haya verificado la salida de energía eléctrica. La conexión debe aislar la corriente del generador del servicio público y debe cumplir con todas las leyes y los códigos eléctricos pertinentes.
- No permita que utilicen esta unidad niños ni personas carentes de la debida instrucción para su manejo.

- No haga arrancar o funcionar el motor en un espacio confinado, de edificio, cerca de ventana abiertas, o en otro área sin ventilación donde se puedan recolectar las emanaciones de monóxido de carbono. El monóxido de carbono, un gas incoloro, inodoro y sumamente peligroso, puede causar la pérdida de la conciencia o la muerte.
- Mantenga a todos los circunstantes, niños y animales por lo menos a 3 m (10 pies) de distancia.
- Use botas o zapatos robustos y secos. No utilice la unidad estando descalzo.
- No utilice este generador cuando se encuentre fatigado, enfermo o bajo los efectos de drogas, alcohol o medicamentos.
- Mantenga todas las partes del cuerpo alejadas de toda pieza móvil y superficie caliente de la unidad.
- No toque cables ni receptáculos desprovistos de aislamiento.
- No utilice el generador con cordones de corriente gastados, deshilachados, pelados o dañados de cualquier forma.
- Antes de guardar la unidad, deje que se enfríe el motor durante 30 minutos y retire el combustible de la unidad.
- No utilice o guarde el generador en la lluvia, nieve o tiempo húmedo.
- Guarde el generador en un lugar bien ventilado y con el tanque de combustible vacío. El combustible no se debe guardar cerca del generador.
- Antes de transportar la unidad en un vehículo, vacíe el tanque de combustible, coloque la interruptor del motor/válvula de combustible/palanca del anegador en la posición de **OFF (APAGADO)** inmovilice aquélla.
- Coloque una lámina de plástico o una almohadilla absorbente debajo del generador para atrapar las gotas de combustible o lubricante cuando lo transporte.
- Para reducir el riesgo de incendio o de lesiones por quemadura, maneje con cuidado el combustible. Es sumamente inflamable.
- No fume mientras esté mezclando el combustible o reabasteciendo el tanque.
- Almacene el combustible en un recipiente aprobado para gasolina.
- Coloque la unidad sobre el piso nivelado, apague el motor, y deje que se enfríe durante cinco minutos antes de reabastecerlo de combustible.
- Afloje la tapa del tanque de combustible para aliviar la presión y para evitar que se escape combustible por la tapa.
- Después de reabastecer de combustible la unidad ponga la tapa y apriétela firmemente.
- Limpie todo el combustible que se haya derramado de la unidad.
- Nunca intente en ninguna circunstancia eliminar el combustible derramado quemándolo.
- Los generadores vibran durante el uso normal. Durante y después del uso del generador, inspeccione el generador, así como los cordones de extensión y los cordones de corriente conectados a éste, para ver si tienen daños causados por la vibración. Deben repararse o reemplazarse los artículos dañados, según sea necesario. No use enchufes ni cordones que muestren señales de daño, como roturas o agrietamientos en el aislamiento, o daño en las espigas.

INSTRUCCIONES DE SEGURIDAD IMPORTANTES

- Los generadores fijos instalados de manera permanente son la mejor alternativa para abastecer de electricidad al hogar durante los cortes de energía. Incluso los generadores portátiles que están conectados correctamente pueden sobrecargarse. De esta manera, los componentes del generador pueden recalentarse o exigirse demasiado, lo que podría producir una falla en el generador.
- Use únicamente repuestos y accesorios recomendados o equivalentes y siga las instrucciones descritas en la

sección de *Mantenimiento* de este manual. El empleo de piezas diferentes o el incumplimiento de las instrucciones de mantenimiento puede significar un riesgo de descarga eléctrica o de lesiones.

- Mantenga la unidad según las instrucciones de mantenimiento señaladas en este manual del operador.
- Inspeccione cada vez la unidad antes de usarla para ver si tiene tornillos flojos, fugas de combustible, etc. Reemplace toda pieza dañada.

REGLAS DE SEGURIDAD ESPECÍFICAS



PELIGRO:

Riesgo de incendios y lesiones por quemaduras: Nunca retire la tapa de combustible mientras esté encendida la unidad. Apague el motor y deje enfriar la unidad durante al menos cinco minutos. Retire la tapa lentamente.



ADVERTENCIA:




Cuando este generador se utiliza para abastecer el sistema de cableado de un edificio: un electricista calificado debe instalar el generador, que debe conectarse a un interruptor de transferencia como un sistema derivado independiente, de conformidad con el Reglamento Nacional de Electricidad (NFPA 70). El generador se conectará a través de un interruptor de transferencia que controla todos los conductores, excepto el conductor de conexión a tierra del equipo. El bastidor del generador debe conectarse a un electrodo de conexión a tierra aprobado. Si no se aísla el generador de las líneas de alto voltaje puede causarse la muerte o lesiones a los trabajadores de dichas líneas.

- No utilice este generador para suministrar energía a dispositivos de soporte vital o equipos médicos de emergencia.
- Este generador tiene un punto neutro flotante. Esto significa que el conductor neutro no está conectado por vías eléctricas al marco de la máquina. El generador (las bobinas del estátor y salida del módulo inversor) está aislado del bastidor y de la patilla de conexión a tierra del receptáculo de CA.
- Siempre use un detector de monóxido de carbono de baterías al utilizar el generador. Si comienza a sentirse mal, mareado o débil al estar utilizando el generador, apáguelo y respire aire fresco de inmediato. Vea a un doctor. Puede sufrir intoxicación por monóxido de carbono.
- Coloque el generador en una superficie estable horizontal, con una pendiente no mayor de 4°.
- Utilice la unidad en un área bien ventilada e iluminada, aislada de las áreas de trabajo para evitar la interferencia del ruido.
- Si se utiliza el generador en condiciones húmedas, puede causarse una electrocución. Mantenga seca la unidad.
- Mantenga el generador a una distancia mínima de 1 m (3 pies) de todo tipo de material combustible.










- No utilice el generador cerca de materiales peligrosos.
- No utilice el generador en una estación de abastecimiento de gasolina o gas natural.
- No toque el silenciador ni el cilindro durante el funcionamiento de la unidad ni inmediatamente después; están CALIENTES y causan lesiones por quemadura.
- No permita que el depósito de gas del generador se desborde durante la carga. Cargue a 25,4 mm (1 pulg.) por debajo de la parte superior del tanque de gasolina para permitir la expansión del combustible. No cubra la tapa del tanque de combustible cuando el motor esté en funcionamiento. Al cubrir la tapa del tanque de combustible durante el funcionamiento se puede producir una falla en el motor o un daño a la herramienta.
- No fume mientras abastece de gasolina el generador.
- Apague el motor y déjelo enfriar durante cinco minutos antes de agregar gasolina o lubricante al generador.
- No retire la varilla de nivel de aceite ni la tapa del tanque del combustible mientras esté funcionando el motor.
- Preste atención en particular a todas las etiquetas de seguridad adheridas al generador.
- En todo momento mantenga a los niños a una distancia mínima de 3 m (10 pies) del generador.
- La unidad funciona mejor a una temperatura entre -5 y 40 °C (23 y 104 °F) con una humedad relativa de 90% o menos.
- El requerimiento de voltaje y frecuencia operativa de todos los equipos electrónicos debe comprobarse antes de enchufarlos a este generador. Pueden ocurrir daños si el equipo no está diseñado para operar dentro de una variación de voltaje de +/-10% y una variación de frecuencia de +/-3 hz de los valores nominales que aparecen en la placa de identificación del generador. A fin de evitar daños, siempre tenga una carga adicional enchufada al generador en caso de usarse equipos de estado sólido (tales como un aparato de televisión). También podría resultar necesario un acondicionador de la línea eléctrica para algunas aplicaciones; por ejemplo, con una computadora. También podría resultar necesario un acondicionador de la línea eléctrica para algunas aplicaciones de equipo de estado sólido.
- Para usarse sólo en el exterior.
- Guarde estas instrucciones. Consúltelas con frecuencia y empléelas para instruir a otras personas que puedan utilizar esta producto. Si presta a alguien esta producto, facilítele también las instrucciones.

SÍMBOLOS

Las siguientes palabras de señalización y sus significados tienen el objeto de explicar los niveles de riesgo relacionados con este producto.

SÍMBOLO	SEÑAL	SIGNIFICADO
	PELIGRO:	Indica una situación peligrosa, la cual, si no se evita, causará lesiones graves o mortales.
	ADVERTENCIA:	Indica una situación peligrosa, la cual, si no se evita, podría causar lesiones graves o mortales.
	PRECAUCIÓN:	Indica una situación peligrosa, la cual, si no se evita, podría causar lesiones menores o leves.
	AVISO:	(Sin el símbolo de alerta de seguridad) Indica la información que se considera importante, pero no relacionada con lesiones potenciales (por ej. en relación a daños a la propiedad).

Es posible que se empleen en este producto algunos de los siguientes símbolos. Le suplicamos estudiarlos y aprender su significado. Una correcta interpretación de estos símbolos le permitirá utilizar mejor y de manera más segura el producto.

SÍMBOLO	NOMBRE	DESIGNACIÓN/EXPLICACIÓN
	Alerta de seguridad	Indica un peligro posible de lesiones personales.
	Lea el manual del operador	Para reducir el riesgo de lesiones, el usuario debe leer y comprender el manual del operador antes de usar este producto.
	Alerta de condiciones húmedas	No exponga la unidad a la lluvia ni la use en lugares húmedos.
	Descarga eléctrica	Si no se usa la unidad en condiciones secas y no se observan prácticas seguras de trabajo, puede producirse una descarga eléctrica.
	Emanaciones tóxicas	Con el funcionamiento del generador se emite monóxido de carbono, un gas tóxico incoloro e inodoro. Si se inhala monóxido de carbono puede causarse náusea, desmayo o la muerte.
	Fuego / Explosión	El combustible y los vapores del mismo son extremadamente inflamables y explosivos. El fuego o una explosión pueden causar quemaduras graves e incluso la muerte.
	Superficie caliente y gases de escape	Para reducir el riesgo de lesiones corporales o daños materiales evite tocar toda superficie caliente y no coloque partes del cuerpo en la trayectoria de los gases de escape.
	Peligro al levantar	Para reducir el riesgo de lesiones serias, evite intentar levantar el generador usted solo.
	Conexión a tierra	Consulte a un electricista de la localidad para determinar los requisitos de conexión a tierra antes de utilizar la unidad.

SÍMBOLOS







Es posible que se empleen en este producto algunos de los siguientes símbolos. Le suplicamos estudiarlos y aprender su significado. Una correcta interpretación de estos símbolos le permitirá utilizar mejor y de manera más segura el producto.

SÍMBOLO	NOMBRE	DESIGNACIÓN/EXPLICACIÓN
A	Amperios	Corriente
Hz	Hertz	Frecuencia (ciclos por segundo)
W	Watt	Potencia
hrs	Horas	Tiempo
gal	Galón	Volumen
qt	Cuarto	Volumen





ETIQUETAS DE SEGURIDAD

La siguiente información puede encontrarse en el generador. Para su propia seguridad, le sugerimos estudiar y entender todas la etiquetas antes de poner marcha el generador.

Si se desprende de la unidad cualquiera de las etiquetas o se vuelven ilegibles, comuníquese con algún el servicio al cliente o con un centro de servicio calificado para obtener un reemplazo.

⚠ DANGER		⚠ DANGER		⚠ PELIGRO	
	You WILL be KILLED or SERIOUSLY HURT if you do not follow the Operator's Manual instructions. Ne pas procéder de la manière décrite dans ce Manuel d'utilisation ou entraîner des BLESSURES GRAVES voire LA MORT. SE MATARÁ o LESIONARÁ GRAVEMENTE si no sigue las instrucciones del Manual del operador.		Generator is a potential source of electric shock. Do not expose to moisture, rain, or snow. Do not operate with wet hands or feet. Le générateur est une source potentielle de chocs électriques. Ne pas exposer à l'humidité, la pluie ou la neige. Ne pas utiliser avec les mains ou les pieds mouillés. El generador es una fuente de descarga eléctrica. No lo exponga a humedad, la lluvia, nin a la nieve. No opere con manos o pies húmedos.		Exhaust contains poisonous carbon monoxide gas that can cause unconsciousness or DEATH. Operate in well ventilated, outdoor areas away from open windows or doors. L'échappement contient le gaz monoxyde de carbone toxique qui peut causer l'inconscience ou la MORT. Fonctionner dans les secteurs bien ventilés et extérieurs loin d'ouvre des fenêtres ou des portes.
	Risk of fire. Do not add fuel while the product is operating. Risque d'incendie. Ne pas ajouter de carburant pendant l'utilisation de l'appareil. Riesgo de incendio. No agregue combustible cuando el producto esté funcionando.		Do not expose to rain or use in damp locations. Ne pas exposer à la pluie ou l'humidité. No exponga a la lluvia ni use en lugares húmedos.		El escape contiene gas venenoso de monóxido de carbono que puede causar pérdida del conocimiento o MUERTE. Opere en áreas exteriores bien ventiladas lejos de puertas o ventanas abiertas.

- SE MATARÁ o LESIONARÁ GRAVEMENTE si no sigue las instrucciones del Manual del operador.
- Riesgo de incendio. No agregue combustible cuando el producto esté funcionando.
- El generador es una fuente potencial de descarga eléctrica. No lo exponga a humedad, la lluvia nin a la nieve. No opere con manos o pies húmedos.
- El escape contiene gas venenoso de monóxido de carbono que puede causar pérdida del conocimiento a la MUERTE. Opere en áreas exteriores bien ventiladas lejos de puertas o ventanas abiertas.
- No exponga la unidad a la lluvia ni la use en lugares húmedos.
- Usar un generador en el interior PUEDE MARTARLO EN POCOS MINUTOS. Los gases de escape del generador contienen monóxido de carbono. Es un veneno que no puede verse ni olerse.
- NUNCA lo use dentro de su hogar o del garaje, INCLUSO con las puertas y las ventanas abiertas.
- Sólo utilícelo AL AIRE LIBRE y lejos de ventanas, puertas y respiraderos.

⚠ DANGER		⚠ DANGER	
Using a generator indoors CAN KILL YOU IN MINUTES. Generator exhaust contains carbon monoxide. This is a poison you cannot see or smell.		L'utilisation d'une génératrice à l'intérieur PEUT VOUS TUER ENQUELQUES MINUTES. Les génératrices produisent du monoxyde de carbone, un gaz mortel incolore et inodore. NE JAMAIS utiliser à l'intérieur d'une maison ou d'un garage, MÊME SI les portes et les fenêtres sont ouvertes. Utiliser uniquement À L'EXTÉRIEUR et loin des fenêtres, des portes et des événements.	
			
NEVER use inside a home or garage, EVEN IF doors and windows are open.		Only use OUTSIDE and far away from windows, doors, and vents.	
⚠ PELIGRO			
Usar un generador en el interior PUEDE MATARLO EN POCOS MINUTOS. Los gases de escape del generador contienen monóxido de carbono. Es un veneno que no puede verse ni olerse. NUNCA lo use dentro de su hogar o del garaje, INCLUSO con las puertas y las ventanas abiertas. Sólo utilícelo AL AIRE LIBRE y lejos de ventanas, puertas y respiraderos.			

SÍMBOLOS

ADVERTENCIA DE COMBUSTIBLE

No fume al abastecer el combustible. No llene de más. El nivel de lleno es 25 mm (1 pulg.) debajo del cuello del tanque de combustible. Pare la marcha del motor cinco minutos antes del reabastecimiento de combustible para evitar que el calor del silenciador encienda los vapores de combustible.

ADVERTENCIA DEL LUBRICANTE DE MOTOR

Antes de utilizar el generador debe abastecerlo de lubricante. Antes de utilizar la unidad, revise el nivel de lubricante. El nivel de lubricante siempre debe estar entre las áreas cubiertas con rayas entrecruzadas de la varilla de nivel. La unidad está equipada de un sensor, el cual apaga automáticamente el motor si el nivel de lubricante desciende abajo del límite de seguridad.

ADVERTENCIA ACERCA DE LA CONEXIÓN A TIERRA

Este generador no incluye un cable de cobre ni una jabalina de puesta a tierra. Consulte con un electricista calificado para conocer los requisitos locales de puesta a tierra.

ADVERTENCIA DE SUPERFICIE CALIENTE

No toque el silenciador ni el cilindro de aluminio del motor. Están muy CALIENTES y causan quemaduras graves. No ponga ningún material inflamable o combustible directamente en la trayectoria de las emanaciones del escape.

ADVERTENCIA DE ESPACIO LIBRE

Tanto en funcionamiento como al guardarlo, mantenga siempre 91,4 cm (3 pies) de espacio libre en todos los laterales de este producto, incluida la parte superior. Espere al menos 30 minutos para el equipo se enfríe antes de guardarlo. El calor generado por el silenciador y los gases de escape puede ser suficiente para causar quemaduras graves y/o prender fuego a objetos combustibles.


PARACHISPAS

El uso de este equipo puede producir chispas propensas a iniciar incendios cerca de vegetación seca. Es posible que se necesite un parachispas. El operador debe ponerse en contacto con las agencias contra incendios locales para conocer las leyes y regulaciones relacionadas con los requisitos de prevención de incendios.

ADVERTENCIA PARA LA TAPA DEL TANQUE DE COMBUSTIBLE

Nunca retire la tapa de combustible mientras esté encendida la unidad. Apague el motor y deje enfriar la unidad durante al menos cinco minutos. Quite la tapa lentamente para liberar la presión que se haya acumulado en el sistema de combustible y para evitar que el calor del silenciador provoque la ignición de los vapores del combustible.

⚠ DANGER ⚠ DANGER ⚠ PELIGRO



Risk of Fire. Check for any fuel overflow or leaking. Stop the engine before refueling.
 Risque d'incendie. Vérifier l'absence de débordement ou de fuite de carburant. Arrêter le moteur avant de faire le plein.
 Riesgo de incendio. Revise si hay algún derrame o fuga de combustible. Apague el motor antes de poner combustible.

940974007-04

CHECK LUBRICANT



Add lubricant to full mark to start. Engine will not start or will shut off if sensor detects low lubricant level.
 Ajouter de lubrifiant jusqu'au repère de remplissage pour démarrer. Le moteur ne démarre pas ou s'éteint si le capteur détecte le niveau de lubrifiant faible.
 Añada lubricante hasta la marca de lleno para arrancar. El motor no arranca o se apaga si sensor detecta el nivel de lubricante de baja.



940708619-03

⚠ WARNING ⚠ AVERTISSEMENT ⚠ ADVERTENCIA




Product does not include ground rod or copper wire. Call a certified electrician for local grounding requirements.
 Le produit ne comprend pas de piquet de terre ou de fil en cuivre. Appeler un électricien certifié pour connaître les exigences locales de mise à la terre.
 El producto no incluye el cable de cobre ni la barra de conexión a tierra. Comuníquese con un electricista certificado para todo lo relacionado con los requisitos de conexión a tierra.

940513029-01

**⚠ WARNING
HOT SURFACE**


**⚠ AVERTISSEMENT
SURFACES CHAUDE**

**⚠ ADVERTENCIA
SUPERFICIES CALIENTE**



940680027-04

⚠ DANGER ⚠ DANGER ⚠ PELIGRO



Risk of Fire. Keep all objects at least 3 feet away from this machine. Heat from Muffler and Exhaust gases can ignite combustible objects.
 Risque d'incendie. Éloigner tous les objets au moins de 91,4 cm (3 pi) de cet appareil. La chaleur du pot d'échappement et les gaz d'échappement peuvent enflammer les objets combustibles.
 Riesgo de incendio. Mantener todos los objetos a una distancia mínima de 91,4 cm (3 pies) de esta máquina. El calor de los gases del silenciador y el escape pueden prender fuego a objetos combustibles.

940974099-02

⚠ WARNING Operation of this equipment may create sparks that can start fires around dry vegetation. A spark arrester may be required. The operator should contact local fire agencies for laws or regulations relating to fire prevention requirements.

⚠ AVERTISSEMENT L'utilisation de cet équipement peut créer des étincelles susceptibles d'enflammer la végétation sèche. Il peut être nécessaire d'utiliser un pare-étincelles. L'utilisateur doit communiquer avec le service local d'incendie pour connaître toutes les lois et tous les règlements portant sur les exigences en matière de prévention des incendies.

⚠ ADVERTENCIA El uso de este equipo puede producir chispas propensas a iniciar incendios cerca de vegetación seca. Es posible que se necesite un parachispas. El operador debe ponerse en contacto con las agencias contra incendios locales para conocer las leyes y regulaciones relacionadas con los requisitos de prevención de incendios.

940947003-03


⚠ DANGER

RISK OF FIRE AND SERIOUS BURNS: Never remove fuel cap when unit is running. Shut off engine and allow the unit to cool at least five minutes. Remove cap slowly.

USE FUEL STABILIZER FOR STORAGE



⚠ DANGER ⚠ PELIGRO



RISQUE D'INCENDIE ET DE BLESSURES GRAVES: Ne jamais retirer le capuchon du réservoir d'essence pendant que l'appareil fonctionne. Éteindre le moteur et laisser refroidir l'appareil pendant au moins cinq minutes. Retirer lentement le capuchon.

RIESGO DE INCENDIOS Y LESIONES POR QUEMADURAS: Nunca retire la tapa de combustible mientras esté encendida la unidad. Apague el motor y deje enfriar la unidad durante al menos cinco minutos. Retire la tapa lentamente.

UTILISEZ UN STABILISATEUR DE CARBURANT POUR LE STOCKAGE
EL USO DEL ESTABILIZADOR DE COMBUSTIBLE PARA EL ALMACENAMIENTO

ASPECTOS ELÉCTRICOS

CALIBRE DEL CORDÓN DE EXTENSIÓN

Consulte el cuadro mostrado abajo para asegurarse de que el calibre de los cordones de extensión que utilice puedan con la carga eléctrica requerida. Los cordones de calibre insuficiente pueden causar una caída de voltaje, lo cual puede quemar el dispositivo y recalentar el cordón mismo.

Corriente en Amperios	Carga en vatios		Longitud máxima permitida del cordón				
	A 120 V	A 240 V	Conduct. #8	Conduct. #10	Conduct. #12	Conduct. #14	Conduct. #16
2,5	300	600		305 m (1000 pies)	183 m (600 pies)	114 m (375 pies)	76 m (250 pies)
5	600	1200		152 m (500 pies)	91 m (300 pies)	61 m (200 pies)	38 m (125 pies)
7,5	900	1800		107 m (350 pies)	61 m (200 pies)	38 m (125 pies)	31 m (100 pies)
10	1200	2400		76 m (250 pies)	46 m (150 pies)	31 m (100 pies)	15 m (50 pies)
15	1800	3600		46 m (150 pies)	31 m (100 pies)	20 m (65 pies)	
20	2400	4800	53 m (175 pies)	38 m (125 pies)	23 m (75 pies)		
25	3000	6000	46 m (150 pies)	31 m (100 pies)			
30	3600	7200	38 m (125 pies)	20 m (65 pies)			
40	4800	9600	27 m (90 pies)				

CARGAS DE MOTORES ELÉCTRICOS

Es característico en el funcionamiento normal de los motores eléctricos comunes consumir durante el arranque hasta seis veces su corriente de operación. Esta tabla puede emplearse para estimar la potencia necesaria (en vatios) para arrancar los motores eléctricos de "Código G"; no obstante, si un motor eléctrico no arranca o no alcanza la velocidad de funcionamiento, apague el dispositivo o herramienta de inmediato para evitar dañar el equipo. Siempre verifique los requisitos de la herramienta o aparato con la salida nominal del generador.

Capacidad del motor (H.P.)	Potencia en marcha (vatios)	Potencia necesaria para arrancar el motor (vatios)		
		Universal	Capacitor	Fase dividida
1/8	275	N/A	850	1200
1/6	275	600	850	2050
1/4	400	800	1050	2400
1/3	450	950	1350	2700
1/2	600	1000	1800	3600
3/4	850	1200	2600	—
1	1100	N/A	3300	—

AVISO:

El requerimiento de voltaje y frecuencia operativa de todos los equipos electrónicos debe comprobarse antes de enchufarlos a este generador. Pueden ocurrir daños si el equipo no está diseñado para operar dentro de una variación de voltaje de +/-10% y una variación de frecuencia de +/-3 hz de los valores nominales que aparecen en la placa de identificación del generador. A fin de evitar daños, siempre tenga una carga adicional enchufada al generador en caso de usarse equipos de estado sólido (tales como un aparato de televisión). También podría resultar necesario un acondicionador de la línea eléctrica para algunas aplicaciones; por ejemplo, con una computadora. También podría resultar necesario un acondicionador de la línea eléctrica para algunas aplicaciones de equipo de estado sólido.

ASPECTOS ELÉCTRICOS

CAPACIDAD DEL GENERADOR

Cerciórese que el generador pueda suministrar suficientes vatios de potencia continua (en marcha) y de sobrecorriente (al arrancar) para los equipos que desee alimentar al mismo tiempo. Siga estos pasos sencillos.

1. Seleccione los equipos que desea alimentar al mismo tiempo.
2. Sume la potencia continua (en marcha) en vatios de estos equipos. Esta es la cantidad de potencia que el generador debe producir para mantener en marcha los equipos. Observe la tabla de referencia de potencia en vatios, a la derecha.
3. Calcule cuánta potencia inicial (al arranque) en vatios necesitará. La potencia inicial (en vatios) es la breve variación rápida de potencia necesaria para poner en marcha los aparatos o herramientas accionados con motor eléctrico como las sierras circulares o los refrigeradores. Debido a que no todos los motores arrancan al mismo tiempo, se puede calcular la potencia inicial total en vatios sumando sólo los equipos con el mayor valor de potencia inicial adicional a la potencia nominal del paso 2.

Ejemplo:

Herramienta o aparato	Potencia marcha en vatios*	Potencia arranque en vatios*
RV Aire acondicionado (11 000 BTU)	1010	1600
Televisor (tipo tubo)	300	0
RV Refrigerador	180	600
Radio	200	0
Iluminación (75 vatios)	300	0
Cafetera	600	0
	2590 vatios, potencia en marcha total	1600 vatios, potencia arranque máxima

Potencia continua total en vatios	2590
Potencia arranque máxima en vatios	+ 1600
Potencia arranque máxima en vatios	4190

ADMINISTRACIÓN DE LA POTENCIA

A fin de prolongar la vida útil del generador y los dispositivos acoplados, es importante tener cuidado al agregar cargas eléctricas al generador. NO debe haber equipo alguno conectado a los tomacorrientes del generador antes de poner en marcha el motor respectivo. La manera correcta y segura de administrar la potencia del generador consiste en agregar las cargas de manera secuencial de la manera siguiente:

1. Sin equipos conectados al generador, ponga en marcha el motor de la manera que se describe posteriormente en este manual.
2. Enchufe y active la primera carga, preferiblemente la máxima carga que tenga.
3. Deje que se establezca la salida del generador (el motor marcha uniformemente y el dispositivo acoplado funciona correctamente).
4. Enchufe y active la siguiente carga.
5. Nuevamente, deje que el generador se estabilice.
6. Repita los pasos 4 y 5 para cada carga adicional.

Nunca añada más cargas que las que permita la capacidad del generador. Tenga especial cuidado al considerar las cargas de sobrecorriente en la capacidad del generador según se describió anteriormente.

AVISO:

No exceda la capacidad del generador. Si excede la capacidad de corriente (amperios) y potencia (vatios) del generador puede dañar el generador y los dispositivos eléctricos conectados al mismo.

Herramienta o aparato	W de funcionamiento estimados*	W de arranque estimados*
Hogar / Emergencia		
Luces (4 cant. x 75 W)	300	0
Televisor (tipo tubo)	300	0
Bomba de sumidero (1/3 hp)	800	1300
Refrigerador o congelador	700	2200
Bomba de pozo (1/3 hp)	1000	2000
Horno (1/2 hp)	800	2350
Radio	200	0
Sitio de trabajo		
Taladro (3/8 pulg., 4 A)	440	600
Sierra circular (Tareas pesadas, 7-1/4 pulg.)	1400	2300
Sierra alternativa	960	960
Sierra de ingletes (10 pulg.)	1800	1800
Sierra de mesa (10 pulg.)	2000	2000

*Los valores de potencias en vatios indicados son aproximados. Verifique la herramienta o el equipo para conocer el vatiaje real..

CARACTERÍSTICAS

ESPECIFICACIONES DEL PRODUCTO

MOTOR

Tipo de motor	212 cc, OHV
Bujía.....	NGK BP6ES o equivalente
Volumen de lubricante de motor	aproximadamente 0,59 l (20 onz.)
Fuel Volume.....	15,14 l (4 gal)

*Salida nominal definida según el estándar G300 de PGMA

GENERADOR

Voltaje nominal	120 V
Amperaje nominal.....	30 A
Salida nominal*.....	3 600 W
Salida máxima.....	4 500 W
Frecuencia nominal	60 Hz

FAMILIARÍCESE CON EL GENERADOR

Vea la figura 1.

El uso seguro que este producto requiere la comprensión de la información impresa en el producto y en el manual del operador así como ciertos conocimientos sobre el proyecto a realizar. Antes de usar este producto, familiarícese con todas las características de funcionamiento y normas de seguridad.

DISYUNTOR

El disyuntor se proporciona para proteger al generador contra sobrecarga eléctrica. El disyuntor puede restaurarse pulsando el botón del disyuntor.

FILTRO DE AIRE

El filtro de aire ayuda a limitar la cantidad de tierra y polvo que penetra a la unidad durante el funcionamiento.

INTERRUPTOR DEL MOTOR/VÁLVULA DE COMBUSTIBLE/PALANCA DEL ANEGADOR

La interruptor del motor/ válvula de combustible/palanca del anegador es utilizado al iniciar, detener y hacer funcionar el motor.

TANQUE DE COMBUSTIBLE

El tanque de combustible tiene una capacidad de 15,14 l (4 gal).

TERMINAL DE CONEXIÓN A TIERRA

El terminal de conexión a tierra se utiliza para ayudar a conectar a tierra correctamente el generador como ayuda de protección contra descargas eléctricas. Consulte con un electricista local calificado con respecto a los requisitos de conexión a tierra en el área geográfica donde se encuentre usted.

PROTECCIÓN DE APAGADO POR BAJA CANTIDAD DE ACEITE

El sensor de bajo nivel de aceite provoca la detención del motor cuando el nivel de lubricante en el cárter es insuficiente.

TAPA DE RELLENO DE ACEITE/VARILLA MEDIDORA DE ACEITE

Retire la tapa de relleno de aceite para revisar el nivel y añadir lubricante al generador cuando sea necesario.

TAPÓN DE DRENAJE DE ACEITE

Al cambiar el lubricante de motor, el tapón de drenaje de aceite se retira para permitir el drenaje del lubricante usado.

RECEPTÁCULOS

El generador incorpora las siguientes tomas monofásicas de 60 Hz: dos receptáculos dobles de 120 V y 20 A y un receptáculo de fijación por giro de 120 V, 30 A. Los receptáculos pueden utilizarse para accionar los aparatos, iluminación eléctrica, herramientas y motores apropiados.

MANGO DEL ARRANCADOR RETRÁCTIL

El mango del arrancador retráctil se usa para arrancar el motor del generador.

ARMADO

DESEMPAQUETADO

Este producto requiere armarse.

- Orte cuidadosamente los lados de la caja y después retire la herramienta y cualesquier accesorios de la caja. Asegúrese de que estén presentes todos los artículos enumerados en la lista de piezas sueltas.

NOTA: Esta herramienta es pesada y requiere al menos de dos personas para levantarla. Para evitar una lesión en la espalda, levántela con sus piernas, no con su espalda.



ADVERTENCIA:

No utilice este producto si alguna pieza incluida en la lista de piezas sueltas ya está ensamblada al producto cuando lo desempaqueta. El fabricante no ensambla las piezas de esta lista en el producto. Éstas deben ser instaladas por el usuario. El uso de un producto que puede haber sido ensamblado de forma inadecuada podría causar lesiones personales graves.

- Inspeccione cuidadosamente la unidad para asegurarse que no haya sufrido ninguna rotura o daño durante el transporte.
- No deseche el material de empaquetado hasta que haya inspeccionado cuidadosamente el producto y lo haya utilizado satisfactoriamente.
- Si hay piezas dañadas o faltantes, le suplicamos llamar al 1-800-860-4050, donde le brindaremos asistencia.



ADVERTENCIA:

Si falta o está dañada alguna pieza, no utilice este producto sin haber reemplazado la pieza. Usar este producto con partes dañadas o faltantes puede causar lesiones serias al operador.



ADVERTENCIA:

No intente modificar esta producto ni introducir accesorios no recomendados para la misma. Cualquier alteración o modificación constituye maltrato y puede causar una condición peligrosa, y como consecuencia posibles lesiones corporales graves.



ADVERTENCIA:

No intente accionar el generador antes de terminar de armarlo. De lo contrario puede ocurrir un riesgo de lesiones graves.

LISTA DE PIEZAS SUeltas

Vea la figura 2.

Los siguientes artículos incluidos con generador:

Núm.

ref.	Descripción	Cant.
1	Eje.....	2
2	Rueda	2
3	Arandela	2
4	Pasador del enganche.....	2
5	Perno	2
6	Patas con pies de goma.....	2
7	Tuerca de bloqueo.....	2
8	Lubricante para motor.....	1
	Manual del operador (no se muestra).....	1

HERRAMIENTAS NECESARIAS

Vea la figura 3.

Para armar la unidad se necesitan las siguientes herramientas (no incluido o dibujado para escalar):

- Llaves de casquillo
- Llave ajustable

NOTA: No ponga combustible o lubricante en el generador antes de instalar las pies y ruedas.

INSTALACIÓN DE LOS PIES

Vea la figura 4.

- Localice los siguientes artículos:
 - 2 pies de goma
 - 2 tuercas de bloqueo
 - 2 pernos
 - Inserte el perno a través del pie de goma, luego a través del travesaño tal como se muestra.
 - Rosque la tuerca de fijación en el perno y ajuste bien dando una vuelta completa.
- NOTA: Asegúrese de no ajustar excesivamente para evitar que el material del pie se doble.**
- Repita estos pasos con el otro pie.

ARMADO

INSTALACIÓN DE LAS RUEDAS

Vea la figura 5.

Las ruedas se proporcionan para ayudar a trasladar el generador hasta la ubicación deseada y deben instalarse en el mismo lado del mango.

- Localice los siguientes artículos:

- 2 ejes
- 2 pasadores de enganche
- 2 arandelas
- 2 ruedas

- Eleve el extremo del generador donde está ubicado el mango hasta una altura suficiente que permita el acceso

a la parte inferior del bastidor; coloque firmemente cuñas debajo para apoyarlo.

- Deslice pase el eje a través del agujero situado en el centro de la rueda.
- Deslice una arandela por el eje y luego deslice el eje dentro del agujero de montaje de la rueda, como se muestra.
- Inserte el pasador de enganche para asegurar.

NOTA: Debe introducirse el pasador de enganche en el eje hasta que el centro de aquél descansa en la parte superior de éste.

- Repita el proceso con la segunda rueda.

FUNCIONAMIENTO

PELIGRO:

Monóxido de carbono. Usar un generador en el interior LO MATARÁ EN POCOS MINUTOS.

Los gases de escape del generador contienen niveles altos de monóxido de carbono (CO), un gas venenoso que no puede verse ni olerse. Si puede oler los gases de escape del generador, está respirando CO. Pero incluso si no puede oler los gases de escape, es posible que esté respirando CO.

- Nunca use un generador dentro de su hogar, garaje, sótano, ni demás espacios parcialmente encerrados. En dichos espacios, pueden acumularse niveles mortales de monóxido de carbono. Usar un ventilador o abrir puertas y ventanas NO proporciona suficiente aire fresco.
- SÓLO utilice el generador al aire libre y lejos de ventanas, puertas y respiraderos abiertos. Estas aberturas pueden atraer los gases de escape del generador.

Incluso si utiliza el generador correctamente, el CO puede ingresar en su hogar. SIEMPRE utilice una alarma de CO de pilas o con pilas de respaldo en su hogar.

Si comienza a sentirse descompuesto, mareado o débil luego de que el generador estuvo funcionando, trasládese adonde haya aire fresco INMEDIATAMENTE. Vea a un doctor. Puede sufrir intoxicación por monóxido de carbono.

ADVERTENCIA:

Si este generador se utiliza **únicamente** con aparatos conectados con cable y enchufe, el Código Eléctrico Nacional no exige que la unidad esté puesta a tierra. Sin embargo, si se usa el generador de otra forma, podría ser necesario ponerlo a tierra para reducir el riesgo de descargas eléctricas o electrocución. Antes de usar el generador, consulte a un electricista calificado, un inspector eléctrico o un organismo local que tenga jurisdicción para saber si es necesario ponerlo a tierra en su situación.

ADVERTENCIA:

No permita que su familiarización con este producto lo vuelva descuidado. Tenga presente que un descuido de un instante es suficiente para causar una lesión grave.

ADVERTENCIA:

No utilice ningún aditamento o accesorio no recomendado por el fabricante de este producto. El empleo de aditamentos o accesorios no recomendados podría causar lesiones graves.

AVISO:

Este producto cuenta con un parachispas que ha sido evaluado por el Servicio Forestal del Departamento de Agricultura de EE. UU., sin embargo los usuarios del producto deben cumplir con los reglamentos de prevención de incendios locales, estatales y federales. Contacto con el servicio al cliente o un centro de servicio calificado para comprar un parachispas de repuesto.

FUNCIONAMIENTO

AVISO:

Antes de cada uso, inspeccione todo el producto para detectar partes dañadas, faltantes o sueltas, como tornillos, tuercas, pernos, tapas, etc. Apriete firmemente todos los sujetadores y las tapas y no accione este producto hasta que todas las partes faltantes o dañadas sean reemplazadas. Póngase en contacto con el servicio al cliente o un centro de servicio calificado para comprar un parachispas de repuesto.

APLICACIONES

Este generador está diseñado para suministrar alimentación eléctrica para el funcionamiento de iluminación eléctrica compatible, electrodomésticos, herramientas y cargas de motor.

ANTES DE ACCIONAR LA UNIDAD

- Sólo utilícelo AL AIRE LIBRE y guarde una distancia al menos de 6 m (20 pies) alejado de ventanas, puertas y orificios de ventilación según lo recomendado por el Departamento de Salud y Servicios Humanos y por los Centros para el Control y la Prevención de Enfermedades de los Estados Unidos. Las condiciones particulares de su casa o del viento puede requerir una distancia adicional.
- NUNCA lo use dentro de su hogar o del garaje, INCLUSO con las puertas y las ventanas abiertas.
- Coloque siempre el generador sobre una superficie firme plana.

REQUISITOS ESPECIALES:

Es posible que se apliquen reglamentaciones de la Administración de Salud y Seguridad Ocupacional (Occupational Safety and Health Administration, OSHA) generales o estatales, códigos u ordenanzas locales al uso para el que fue diseñado el generador.

Consulte a un electricista calificado, a un inspector de instalaciones eléctricas o a la agencia local con jurisdicción:

- En algunas áreas, se deben registrar los generadores en las respectivas compañías de servicios públicos locales.
- Si el generador es utilizado en una obra en construcción, es posible que se deban respetar reglamentaciones adicionales.

LEVANTAR Y BAJAR EL MANGO

Vea la figura 6.

- Para levantar el mango (para trasladar la generador): tire del perilla de liberación del mango hacia, levantar el mango, luego suelte la perilla de modo que encaje en la posición de bloqueo. Inserte la clavija de bloqueo del mango para asegure el mango en su lugar.
- Para bajar mango (para guardar o transportar la generador): tire de la perilla de liberación del mango y baje el mango hasta la posición inferior..

Nunca utilice el mango para levantar el generador. Solamente se debe utilizar el mango para desplazar la unidad sobre las ruedas.

VERIFICACIÓN Y ABASTECIMIENTO DE LUBRICANTE

Vea la figura 7.

AVISO:

Si se intenta arrancar el motor antes de haberse abastecido debidamente de lubricante podría descomponerse el equipo.

NOTA: Si recibe un manual del motor para este producto, respete el instrucciones que se indique en el manual del motor y no la información que figura a continuación.

El lubricante de motor empleado es un factor de gran importancia en el rendimiento y vida de servicio del motor. Para uso general, a todas temperaturas, se recomienda el lubricante SAE 10W-30. Siempre utilice lubricante para motor de cuatro tiempos que satisfaga o sobrepase los requisitos SJ de clasificación de servicio API.

Este motor viene con una característica que apagará el motor cuando no se mantiene el nivel específico de lubricante. El motor volverá a arrancar hasta que se alcance el nivel adecuado de lubricante.

NOTA: El lubricante sin detergente o para motor de dos tiempos daña el motor, por lo cual no debe usarse.

- Desenrosque la tapa de relleno de aceite/varilla medidora de aceite y retírela.
- Limpie la varilla de nivel y vuelva a asentarla en el agujero; no la enrosque.
- Retire de nuevo la varilla medidora de lubricante y verifique el nivel de aceite. El nivel de lubricante siempre debe estar entre las áreas cubierta con rayas entrecruzadas de la varilla medidora.
- Si está bajo el nivel, abastezca de lubricante el motor hasta que el nivel del fluido alcance la parte superior de la varilla.
- Vuelva a colocar la tapa de relleno de aceite/varilla medidora de aceite y asegúrela.

USO DE ESTABILIZADOR DE COMBUSTIBLE

El combustible se hace viejo, se oxida y descompone al paso del tiempo. Agregando estabilizador de combustible (no incluido) se prolonga la vida útil del combustible y se evita la formación de depósitos, los cuales pueden tapan el sistema del combustible. Siga las instrucciones del fabricante del estabilizador de combustible en cuanto a la debida proporción estabilizador-combustible.

- Mezcle el estabilizador de combustible y la gasolina antes de llenar el tanque mediante el uso de una lata de gasolina u otro recipiente aprobado para combustible; agítela suavemente para realizar la mezcla.

FUNCIONAMIENTO

NOTA: Para controlar la cantidad de estabilizador de combustible que se agrega al motor, siempre mézclelo con la gasolina antes de llenar el tanque, en vez de agregarlo directamente al tanque de combustible del generador.

- Coloque de nuevo la tapa del tanque de combustible y asegúrela.
- Arranque el motor y déjelo funcionar por lo menos cinco minutos para permitir que el estabilizador trate todo el sistema de combustible.

COMBUSTIBLES MEZCLADOS CON ETANOL

AVISO:

No utilice combustibles E15 o E85 con este producto. Esto constituye una violación a la ley federal, dañará la unidad y anulará la garantía. Utilice únicamente gasolina sin plomo que contiene hasta 10% de etanol.

VERIFICACIÓN Y ABASTECIMIENTO DE COMBUSTIBLE

Vea la figura 8.



PELIGRO:

Riesgo de incendios y lesiones por quemaduras: Nunca retire la tapa de combustible mientras esté encendida la unidad. Apague el motor y deje enfriar la unidad durante al menos cinco minutos. Retire la tapa lentamente.



ADVERTENCIA:

La gasolina y los vapores de la misma son extremadamente inflamables y explosivos. Para evitar lesiones y daños físicos serios, maneje con cuidado la gasolina. Manténgala lejos de fuentes de ignición, manéjela solamente al aire libre, no fume mientras vierta la gasolina y limpie de inmediato cualquier derramamiento que ocurra.

Al abastecer de gasolina la generador, asegúrese de que la unidad esté asentada en una superficie horizontal nivelada. Si está caliente el motor, permita que se enfríe durante cinco minutos la generador antes de reabastecerla de gasolina. SIEMPRE llene el tanque al aire libre y teniendo apagada la máquina.

- Retire lentamente la tapa de combustible.
- Llene el tanque de combustible hasta una altura de 25 mm (1 pulg.) abajo del cuello del tanque.
- Coloque de nuevo la tapa del tanque de combustible y asegúrela.



ADVERTENCIA:

Apague siempre el motor antes de reabastecer combustible. Nunca retire la tapa de combustible ni agregue combustible a una máquina mientras el motor esté en funcionamiento o caliente. Asegúrese de que la unidad esté apoyada en una superficie horizontal y nivelada, y solo agregue combustible al aire libre. Si el motor está caliente, deje que el unidad se enfríe durante al menos cinco minutos antes de reabastecer. Vuelva a colocar inmediatamente la tapa del tanque después de reabastecer y apriétela firmemente. Aléjese al menos 9 metros (30 pies) del sitio de carga de combustible antes de poner en marcha el motor. No fume y permanezca lejos de llamas abiertas y chispas! La inobservancia de estas instrucciones podrían provocar un incendio y lesiones personales graves.

NOTA: Siempre utilice gasolina sin plomo con un octanaje nominal inicial de 86 o mayor. Nunca utilice gasolina vieja, pasada o contaminada, y no utilice mezcla de aceite y gasolina. No permita que entre tierra o agua en el tanque de combustible. **No use combustible E85.**

ARRANQUE DEL MOTOR

Vea las figuras 9 a 11.

AVISO:

Teniendo la unidad en una superficie nivelada y con el motor apagado, revise el nivel de lubricante cada vez antes de usar el generador.

NOTA: Si el generador no está en una superficie nivelada, es posible que no arranque o se apague durante su funcionamiento.

- Desconecte todas las cargas del generador.
- Coloque la interruptor del motor/válvula de combustible/palanca del anegador en la posición **START (ARRANQUE)**.

NOTA: Si el motor está caliente o la temperatura es superior a los 10 °C (50 °F), Coloque la interruptor del motor/válvula de combustible/palanca del anegador en la posición **RUN (MARCHA)**.

- Tire del mango del arrancador retráctil hasta que comience a funcionar el motor.

NOTA: No permita que el mango se retraiga violentamente después de arrancar; regréselo suavemente a su lugar original.

- Permita que el motor funcione 15–30 segundos, y después ponga la interruptor del motor/válvula de combustible/palanca del anegador en la posición **RUN (FUNCIONAMIENTO)**.

FUNCIONAMIENTO

APAGADO DEL MOTOR

Vea la figura 10.

Para apagar el motor en condiciones normales de funcionamiento:

- Desconecte del generador toda carga presente.
- Coloque la interruptor del motor/válvula de combustible/palanca del anegador en la posición de **OFF (APAGADO)**.

Para apagar el motor en una situación de emergencia:

- Coloque la interruptor del motor/válvula de combustible/palanca del anegador en la posición de **OFF (APAGADO)**.



ADVERTENCIA:

Tanto en funcionamiento como al guardarlo, mantenga siempre 91,4 cm (3 pies) de espacio libre en todos los laterales de este producto, incluida la parte superior. Espere al menos 30 minutos para que el equipo se enfríe antes de guardarlo. El calor generado por el silenciador y los gases de escape podría ser suficiente para causar quemaduras graves y/o prender fuego a objetos combustibles.

TRASLADO EL GENERADOR

Vea la figura 12.

- Apague la generador.
- Levante el mango.
- Desconecte todos los equipos que estén enchufados al generador.
- Asegúrese de que la interruptor del motor/válvula de combustible/palanca del anegador en la posición de **OFF (APAGADO)**.

- Permita un período de enfriamiento de 30 minutos antes de guardar la máquina. Asegúrese de que estén fríos el motor y el escape de la unidad.
- Con su pie en la parte trasera del bastidor, incline la máquina hacia usted hasta que se equilibre en las ruedas, luego empuje la máquina a la posición deseada.

LEVANTAR EL GENERADOR

Vea la figura 13.

- Apague la generador.
- Pliegue el mango hacia abajo. Nunca alce o mueva este producto tomándolo por el mango móvil.

NOTA: Esta herramienta es pesada y requiere varios personas a levantar. Para evitar lesionarse la espalda, mantenga dobladas las rodillas, levante con las piernas, no con la espalda, y obtenga ayuda cada vez que la necesite.

OPERACIÓN A ALTITUDES ELEVADAS

Su motor está configurado para funcionar por debajo de los 609,6 m (2 000 pies) de altitud medidos en la fábrica. Su motor se debe volver a configurar para funcionar por sobre los 609,6 m (2 000 pies) de altitud. Hacer funcionar el motor con la configuración equivocada a determinada altura puede aumentar las emisiones, reducir la eficiencia del combustible, perjudicar el funcionamiento y provocar daños irreversibles al motor. Los motores que estén configurados para funcionar en una altitud alta no se pueden utilizar en condiciones de altitud estándar. Un centro de servicio calificado debe asegurarse que su motor está debidamente configurado para funcionar donde usted se encuentre.

MANTENIMIENTO

Cualquier establecimiento o técnico de reparaciones calificado puede realizar el mantenimiento normal, el reemplazo o la reparación de los dispositivos y sistemas de control de emisiones, con repuestos originales o equivalentes. Un centro de servicio autorizado deberá realizar las reparaciones y el retiro del producto que cubra la garantía; póngase en contacto con el servicio al cliente para obtener ayuda.



ADVERTENCIA:

Antes de inspeccionar, limpiar o dar servicio a la máquina, apague el motor, espere a que se detengan todas las piezas en movimiento, desconecte el cable de la bujía y aléjelo de ésta. Permita un período de enfriamiento de 30 minutos antes de efectuar cualquier tarea de mantenimiento. El incumplimiento de cualquiera de estas instrucciones puede causar lesiones físicas graves o daños a la propiedad.



ADVERTENCIA:

Al dar servicio a la unidad, sólo utilice piezas de repuesto recomendados o equivalentes. El empleo de piezas diferentes puede causar un peligro o dañar el producto.

AVISO:

Inspeccione periódicamente todo el producto para detectar partes dañadas, faltantes o sueltas, como tornillos, tuercas, pernos, tapas, etc. Apriete firmemente todos los sujetadores y las tapas y no accione este producto hasta que todas las partes faltantes o dañadas sean reemplazadas. Póngase en contacto con el servicio al cliente o con un centro de servicio calificado para obtener ayuda.

MANTENIMIENTO GENERAL

Mantenga el generador en un entorno limpio y seco, en el cual no esté expuesto al polvo, tierra, humedad o vapores corrosivos. No permita que las ranuras de aire de ventilación del generador se tapen de materia extraña, como hojas, etc.

No utilice una manguera de jardín para limpiar el generador. El agua que entra al sistema de combustible u otras partes internas puede causar problemas que acortan la vida de servicio del generador.

Para limpiar la unidad:

- Con un cepillo de cerdas suaves y/o una aspiradora afloje y elimine la tierra y la basura.
- Limpie las aberturas de ventilación con aire a baja presión que no se exceda de 25 psi.
- Limpie las superficies exteriores del generador con un paño húmedo.

REVISIÓN Y LIMPIEZA DEL FILTRO DE AIRE

Vea la figura 14.

Para obtener un desempeño apropiado y una larga vida útil de la unidad, mantenga limpios los filtro de aire.

- Gire la perilla a la izquierda para soltar. Retire la tapa y hágala a un lado.
- Retire los elemento de filtro.
- Si el elemento de filtro están sucios, lávese con agua jabonosa tibia. Enjuáguelo y déjelo secar.
- Aplique una capa delgada de lubricante a los elementos y, después, estruje para sacar aquél.
- Coloque de nuevo los elemento en la unidad del filtro.
- Vuelva a colocar la tapa del filtro de aire et gírela la perilla a la derecha para asegurarla.

NOTA: No ponga a funcionar el generador sin los filtro de aire. Se causa un desgaste acelerado del motor.

CAMBIO DEL LUBRICANTE DEL MOTOR

Vea la figura 15.

- Retire la tapa de relleno de aceite/varilla medidora de aceite.
- Coloque un recipiente bajo el tapón de drenaje del aceite para recoger el lubricant a medida que salga.
- Desenrosque el tapón de drenaje del aceite y retírelo.
- Permita que se drene completamente el lubricante.

NOTA: Drene el lubricante mientras esté tibio el motor, no caliente. El lubricante tibio se drena con mayor facilidad y compleción.



ADVERTENCIA:

No cambie el lubricante del motor cuando esté caliente. El contacto accidental con el lubricante del motor caliente podría provocar quemaduras graves.

- Instale de nuevo el tapón de drenaje del aceite y apriételo firmemente.
- Reabastezca de lubricante la unidad de conformidad con las instrucciones indicadas en el apartado **Verificación y abastecimiento de lubricante**. Para conocer la cantidad de lubricante que se debe agregar, consulte la sección anterior **Especificaciones del producto** de este manual o el manual del motor adjunto, si corresponde.
- Reinstale la tapa de relleno de aceite/varilla medidora de aceite.

NOTA: El lubricante usado debe desecharse en un sitio de desecho aprobado. Si necesita más información, consulte a un concesionario de aceite de la localidad.

MANTENIMIENTO

MANTENIMIENTO DE LA BUJÍA

Vea la figura 16.

La bujía debe tener el debido espacio interelectrónico y debe estar libre de depósitos para que el motor funcione de forma correcta. Para verificar:

- Retire la tapa de la bujía.
- Limpie toda la tierra presente alrededor de la base de la bujía.
- Retire los bujías con la llave (no incluido).
- Inspeccione la bujía para ver si está dañada, y límpiela con un cepillo de alambre antes de volver a instalarla. Si el aislante está agrietado o desportillado, debe reemplazarse la bujía. Para saber cuál es la bujía de recambio correcta, consulte la sección anterior **Especificaciones del producto** de este manual o el manual del motor adjunto, si corresponde.
- Mida el espacio interelectrónico. La separación correcta es 0,7-0,8 mm (0,028-0,031 pulg.). Para ampliar la separación, doble con cuidado el electrodo (superior) de conexión a tierra. Para angostar el espacio, golpee suavemente sobre una superficie dura el electrodo de tierra.
- Asiente en su lugar la bujía y enrósquela con la mano para evitar trasroscarla.
- Apriétela con una llave para comprimir la arandela. Si es nueva la bujía, gírela 1/2 vuelta para comprimir al nivel adecuado la arandela. Si va a volver a usar la bujía vieja, gírela de 1/8 a 1/4 de vuelta para comprimir al nivel adecuado la arandela.

NOTA: Si no se aprieta debidamente, la bujía se calienta mucho y podría dañar el motor.

LIMPIEZA DEL ORIFICIO DE ESCAPE Y DEL SILENCIADOR

Según sea el tipo de combustible empleado, el tipo y cantidad de lubricante empleado, así como las condiciones de funcionamiento, puede obstruirse el orificio de escape y el silenciador con depósitos de carbono. Si observa alguna pérdida de potencia en la productos con motor de gasolina, quizá sea necesario eliminar dichos depósitos para restablecer el desempeño original. Recomendamos enfáticamente que este servicio lo realicen únicamente técnicos de servicio calificados.

PARACHISPAS

Vea la figura 17.

AVISO:

Este producto cuenta con un parachispas que ha sido evaluado por el Servicio Forestal del Departamento de Agricultura de EE. UU., sin embargo los usuarios del producto deben cumplir con los reglamentos de prevención de incendios locales, estatales y federales. Consulte a las autoridades que correspondan. Póngase en contacto el servicio al cliente o con un centro de servicio calificado para comprar un parachispas de repuesto.

- Inspeccione el parachispas para ver si tiene roturas o agujeros. Reemplácela si es necesario.
- Utilice un cepillo (no incluido) para retirar los depósitos de carbono de la parachispas.

DRENAJE DEL TANQUE DEL COMBUSTIBLE Y DEL CARBURADOR

Vea las figuras 18 a 19.

Para evitar los depósitos de sustancias gomosas en el sistema de combustible, vacíe el tanque de combustible y el carburador antes de guardarlo.

DRENAJE DEL TANQUE DEL COMBUSTIBLE

- Coloque la interruptor del motor/válvula de combustible/palanca del anegador en la posición de **OFF (APAGADO)**.
- Quite el conducto de combustible de la conector de manguera dentada apretando los extremos del pasador de retención con tenazas y deslizando el conducto de combustible hacia afuera.

NOTA : Asegúrese de quitar el conducto de combustible que está entre la válvula de combustible y el carburador, NO el conducto que está entre la válvula de combustible y el tanque de combustible.

- Instale un extremo del conducto de drenaje (no suministrados) en la conector de manguera dentada, y coloque el otro extremo en un recipiente de combustible de la suficiente capacidad para recibir el combustible drenado del tanque.
- Ponga la interruptor del motor/válvula de combustible/palanca del anegador en la posición **RUN (MARCHA)**.
- Cuando el combustible se haya drenado del tanque, coloque la interruptor del motor/válvula de combustible/palanca del anegador en la posición OFF (cerrado) y vuelva a instalar el conducto de combustible firmemente en la conector de manguera dentada.

MANTENIMIENTO

DRENAJE DEL CARBURADOR

- Coloque la interruptor del motor/válvula de combustible/palanca del anegador en la posición de **OFF (APAGADO)**.
- Coloque un recipiente adecuado bajo el tornillo de drenaje del carburador para recibir el combustible; afloje el tornillo.
- Permita que se drene completamente el combustible y caiga en el recipiente.
- Vuelva a apretar el tornillo de drenaje.

NOTA: Consulte las normas de desecho de residuos peligrosos de la localidad donde se encuentre para averiguar la forma correcta de desechar el combustible usado.

REEMPLAZO DEL FILTRO FILTRO DE COMBUSTIBLE

Vea la figura 20.

En algunas ocasiones, el filtro de combustible puede obstruirse y deberá reemplazarse. Para comprar un filtro de combustible comuníquese con el servicio al cliente o con un centro de servicio calificado.

NOTA: El tanque de combustible debe estar vacío antes de reemplazar el filtro. Si es necesario, ponga en funcionamiento la unidad hasta vaciar el tanque, o supervise el filtro antes de llenarlo.

- Coloque la interruptor del motor/válvula de combustible/palanca del anegador en la posición de **OFF (APAGADO)**.
- Retire el conducto del combustible de ambos lados del filtro apretando los extremos del pasador de retención con tenazas.
- Deslice la tubería de combustible.
- Reemplazo del filtro de combustible.
- Vuelva a instalar las tuberías de combustible al nuevo filtro de combustible.

TRASLADO EL GENERADOR

- Asegúrese de que la interruptor del motor/válvula de combustible/palanca del anegador en la posición de **OFF (APAGADO)**.
- Permita un período de enfriamiento de 30 minutos antes de transportar la máquina. Asegúrese de que estén fríos el motor y el escape de la unidad.
- No deje caer la unidad, no la golpee ni la coloque bajo objetos pesados.
- Si lo transporta en un vehículo, vacíe el tanque de combustible e inmovilice el generador.
- Coloque una lámina de plástico o una almohadilla absorbente debajo del generador para atrapar las gotas de combustible o lubricante cuando lo almacene o lo transporte.

MANTENIMIENTO

ALMACENAMIENTO

Al preparar el generador para guardarlo, deje que la unidad se enfríe durante 30 minutos y luego siga los lineamientos señalados abajo.

TIEMPO DE ALMACENAMIENTO	ANTES DE GUARDARLO
Menos de dos meses	<ul style="list-style-type: none"> ■ Vacíe el tanque de combustible y colóquelo en un recipiente apropiado según lo establecido por las disposiciones estatales y locales.
De dos meses a un año	<ul style="list-style-type: none"> ■ Drene el combustible del carburador. ■ Vacíe el tanque de combustible y colóquelo en un recipiente apropiado según lo establecido por las disposiciones estatales y locales.
Un año o más	<ul style="list-style-type: none"> ■ Drene el combustible del carburador. ■ Retire la bujía. ■ Vacíe el tanque de combustible y colóquelo en un recipiente apropiado según lo establecido por las disposiciones estatales y locales. ■ Ponga una cucharada sopera de lubricante para motor en el cilindro de la bujía. Gire el motor lentamente con la cuerda de tiro para distribuir el lubricante. ■ Instale de nuevo la bujía. ■ Cambie el lubricante del motor. <p>Al sacar la unidad después de haberla tenido guardada:</p> <ul style="list-style-type: none"> ■ Reabastezca de gasolina fresca la unidad.

NOTA: Si guarda gasolina en un recipiente adecuado para utilizarla en otro momento, asegúrese de que haya sido tratada con un estabilizador de combustible de acuerdo con las instrucciones del fabricante del estabilizador.

PROGRAMA DE MANTENIMIENTO

NOTA: Si recibe un manual del motor para este generador en particular, respete el cronograma de mantenimiento que se indique en el manual del motor y no la información de mantenimiento que figura a continuación.

	Antes de cada uso	Al cabo del primer mes o 20 horas de funcionamiento	Cada 3 meses o 50 horas de funcionamiento	Cada 6 meses o 100 horas de funcionamiento	Cada año o luego de 300 horas de funcionamiento
Revisar el lubricante del motor	■				
Cambiar el lubricante del motor ²		■		■	
Revisar el filtro de aire	■				
Limpiar el filtro de aire			■		
Cambiar el filtro de aire ²					■
Comprobar/ajustar la bujía				■	
Reemplazar la bujía ²					■
Comprobar/limpiar la pantalla parachispas					
Comprobar/ajustar la velocidad de ralentí					■
Comprobar/ajustar el huelgo de válvula ^{1,2}					■
Limpiar el depósito y el filtro de combustible ^{1,2}				■	
Comprobar de manguera de combustible	■				■
Filtro de combustible	Inspeccione				Reemplazo
Compruebe todas las conexiones de mangueras	■				■
Inspeccione la respirador del vapor del tanque de combustible (si está instalada)	■				■
Inspeccione el depósito de carbón (únicamente modelos CARB)	■				■

¹ Estas tareas deben ser efectuadas sólo por el centro de servicio calificado.

² Consulte el manual del motor para conocer el cronograma de mantenimiento de este elemento.

NOTA: La frecuencia de mantenimiento debe ser mayor si se el generador se usa en zonas de mucho polvo.

Si el generador ha sobrepasado los valores máximos especificados en el cuadro, aun debe seguirse el programa de mantenimiento de acuerdo con los intervalos allí recomendados.

CORRECCIÓN DE PROBLEMAS

PROBLEMA	CAUSA POSIBLE	SOLUCIÓN
El motor no arranca.	<p>No hay combustible.</p> <p>Gasolina rancia o agua rancia en la gasolina.</p> <p>Está bajo el nivel de lubricante.</p> <p>Bujía defectuosa, sucia o con separación incorrecta.</p> <p>La interruptor del motor/válvula de combustible/palanca del anegador está en la posición OFF (APAGADO) o RUN (MARCHE).</p> <p>El motor almacenado sin tratamiento ni vaciado de gasolina, o reabastecido de gasolina de mala calidad.</p> <p>Filtro de combustible sucio.</p>	<p>Llene el tanque de combustible.</p> <p>Drene todo el sistema y reabastézcalo con combustible nuevo.</p> <p>El motor posee un apagado por poco aceite. Si el nivel del lubricante del motor es bajo, debe llenarse antes de que la unidad arranque. Revise el nivel del lubricante del motor, y reabastézcalo si es necesario.</p> <p>Reemplace la bujía.</p> <p>Desplace de la interruptor del motor/válvula de combustible/palanca del anegador hasta la posición START (ARRANQUE).</p> <p>Vacíe el combustible y el carburador. Reabastezca de gasolina fresca la unidad.</p> <p>Reemplazar la filtro de combustible o comuníquese con un centro de servicio calificado.</p>
Cuesta trabajo arrancar el motor.	<p>Hay agua en la gasolina.</p> <p>Está débil la chispa de la bujía.</p>	<p>Drene todo el sistema y reabastézcalo con combustible nuevo.</p> <p>Reemplazar la bujía o comuníquese con un centro de servicio calificado.</p>
Le falta potencia al motor.	<p>Está sucio el filtro de aire.</p> <p>El motor almacenado sin tratamiento ni vaciado de gasolina, o reabastecido de gasolina de mala calidad.</p>	<p>Compruebe el elemento de filtro de aire. Limpie o reemplace según sea necesario.</p> <p>Vacíe el combustible y el carburador. Reabastezca de gasolina fresca la unidad.</p>
No funciona el receptáculo de corriente alterna.	<p>Se disparó el disyuntor del circuito.</p> <p>Está defectuoso el dispositivo conectado.</p>	<p>Reajuste el disyuntor de circuito de AC.</p> <p>Pruebe con un dispositivo diferente.</p>
El generador produce un ruido como de "cascabeleo" o "explosiones".	<p>Un leve ruido ocasional de "cascabeleo" o "explosiones" si la carga es pesada no debe ser causa de preocupación. No obstante, si tal cascabeleo o explosiones ocurren con una carga normal a velocidad estable del motor, el problema puede ser la marca de gasolina utilizada.</p>	<p>Cambie a una marca diferente de gasolina, y asegúrese de que sea de un octanaje de 86 por lo menos. Si el problema continúa, comuníquese con un centro de servicio calificado.</p>

Si el problema persiste después de probar las soluciones mencionadas arriba, comuníquese con el servicio al cliente o con un centro de servicio calificado para solicitar asistencia.

AVISO:

Como propietario equipo, usted es responsable de que se realice el mantenimiento obligatorio que se indica en esta *Mantenimiento*. Le recomendamos que guarde todos los comprobantes relacionados con el mantenimiento de su equipo. Negligencia o falta del mantenimiento indicado puede aumentar las emisiones, reducir la eficiencia del combustible, perjudicar el funcionamiento, provocar daños irreversibles al motor y anulará su garantía.

GARANTÍA

DECLARACIÓN DE LA GARANTÍA LIMITADA

Techtronic Industries North America, Inc. garantiza al comprador original al menudeo que este producto de la marca RYOBI™ carece de defectos en los materiales y en la mano de obra, y acuerda reparar o reemplazar, a la sola discreción de Techtronic Industries North America, Inc., cualquier producto defectuoso, sin cargo alguno al comprador, dentro de los siguientes períodos de tiempo a partir de la fecha de compra.

- Tres años si los productos se emplean para uso personal, familiar o casero;
- 90 días si el producto se emplea para cualquier otro propósito, como el uso comercial o el de alquiler.

Esta garantía se otorga solamente al comprador original al menudeo, y comienza en la fecha de la compra original al menudeo.

Cualquier parte de este producto Techtronic Industries North America, Inc. que, a juicio razonable de la compañía, tenga defectos en los materiales o en la mano de obra, será reparado o reemplazado por un centro de servicio autorizado de herramientas para uso en el exterior de la marca RYOBI™, sin cargo alguno al comprador por concepto de piezas y mano de obra (Centro de Servicio Autorizado Ryobi).

El producto, incluida toda pieza defectuosa, debe enviarse a un centro de servicio autorizado Ryobi dentro del período de la garantía. El gasto de enviar el producto al centro de servicio para cualquier trabajo cubierto por la garantía, así como el gasto de devolverlo al propietario después de la reparación, correrán por cuenta del propietario. La responsabilidad de Techtronic Industries North America, Inc. con respecto a todo reclamo se limita a las reparaciones o reemplazo del producto, y ningún reclamo de incumplimiento de la garantía será causante de la cancelación o rescisión del contrato de venta de ninguna herramienta de uso en el exterior de la marca RYOBI™. En el establecimiento se requerirá el recibo de compra para respaldar cualquier reclamo al amparo de la garantía. Todo trabajo cubierto en la garantía debe ser realizado por un concesionario de servicio autorizado.

Esta garantía se limita a noventa (90) días a partir de la fecha original de la compra de cualquier herramienta de uso en el exterior de la marca RYOBI™ empleada para propósitos comerciales o de alquiler, o cualquier otro propósito generador de ingresos.

Esta garantía no cubre productos que hayan estado sujetos a maltratos, abusos, negligencia o accidentes, los efectos de la corrosión o la erosión, o que se hayan utilizado de forma contraria a las instrucciones de funcionamiento descritas en el Manual del operador. Esta garantía no se aplica a los daños que sufra el producto como resultado del mantenimiento inadecuado o debido a alteraciones o modificaciones. La garantía no cubre reparaciones necesarias por el desgaste normal o por el uso de las piezas o los accesorios que puedan ser incompatibles con el producto para jardinería RYOBI™ o afectar de forma negativa su funcionamiento, rendimiento o durabilidad.

Además, esta garantía no cubre:

Los afinados: bujías, carburador, ajustes del carburador, encendido, filtros y cambio de aceite.

Piezas desgastadas: cuerda del arrancador retráctil, escobillas del motor, escobillas del alternador, pasadores de chaveta, ruedas, manguera de alta presión, tubo rociador, boquillas, mango del

gatillo, mangueras de abastecimiento, acopladores rápidos, juntas, válvulas, pistones, ensamblajes de válvula de la bomba, juntas tóricas, sellos de agua y aceite, y tanques de detergentes.

IMPORTANTE: A los componentes que esta garantía no cubra, los podrá cubrir una garantía adicional emitida por el que fabricante del motor. consulte la garantía del fabricante del motor (si la hubiera) que se entregó con el producto para conocer más detalles.

La Empresa no pagará las reparaciones o los ajustes que se realicen al producto, ni ningún costo ni mano de obra que se lleve a cabo sin la autorización previa de la Empresa.

Techtronic Industries North America, Inc. se reserva el derecho a cambiar o mejorar el diseño de cualquier herramienta para uso en el exterior de la marca RYOBI™ sin asumir ninguna obligación de modificar ningún producto fabricado previamente.

TODAS LAS GARANTÍAS IMPLÍCITAS ESTÁN LIMITADAS EN DURACIÓN SEGÚN EL PERÍODO DE GARANTÍA DECLARADA. POR CONSIGUIENTE, CUALQUIER GARANTÍA IMPLÍCITA, INCLUSO LAS DE COMERCIABILIDAD, IDONEIDAD PARA UN PROPÓSITO EN PARTICULAR, O DE CUALQUIER TIPO, PIERDEN TOTALMENTE SU VALIDEZ DESPUÉS DEL VENCIMIENTO DEL PERÍODO DE GARANTÍA CORRESPONDIENTE DE TRES AÑOS O NOVENTA DÍAS. DE CONFORMIDAD CON ESTA GARANTÍA, LA OBLIGACIÓN DE TECHTRONIC INDUSTRIES NORTH AMERICA, INC. SE LIMITA ESTRICTA Y EXCLUSIVAMENTE A LA REPARACIÓN O REPLAZO DE LAS PIEZAS DEFECTUOSAS, Y TECHTRONIC INDUSTRIES NORTH AMERICA, INC. NO ASUME NINGUNA OTRA OBLIGACIÓN, NI AUTORIZA A NADIE ASUMIRLA A NOMBRE DE DICHA COMPAÑÍA. ALGUNOS ESTADOS NO PERMITEN LIMITACIONES EN CUANTO A LA DURACIÓN DE UNA GARANTÍA IMPLÍCITA, POR LO CUAL ES POSIBLE QUE LA LIMITACIÓN ANTERIOR NO SE APLIQUE EN EL CASO DE USTED. TECHTRONIC INDUSTRIES NORTH AMERICA, INC. NO ASUME NINGUNA RESPONSABILIDAD POR DAÑOS DIRECTOS, INDIRECTOS O DE NINGÚN OTRO TIPO, COMO EL GASTO DE ENVIAR EL PRODUCTO A UN CENTRO DE SERVICIO AUTORIZADO RYOBI Y EL GASTO DE ENVIARLO DE ALLÍ AL PROPIETARIO, EL TIEMPO DE VIAJE DEL MECÁNICO, CARGOS TELEFÓNICOS O TELEGRÁFICOS, ALQUILER DE UN PRODUCTO SUSTITUTO DURANTE EL TIEMPO DE REALIZACIÓN DEL SERVICIO DE LA GARANTÍA, VIAJES, PÉRDIDA O DAÑOS A OBJETOS DE PROPIEDAD PERSONAL, PÉRDIDA DE INGRESOS, PÉRDIDA DEL USO DEL PRODUCTO, PÉRDIDA DE TIEMPO O INCONVENIENTES. EN ALGUNOS ESTADOS NO SE PERMITE LA EXCLUSIÓN O LIMITACIÓN DE DAÑOS DIRECTOS O INDIRECTOS, POR LO CUAL ES POSIBLE QUE LA LIMITACIÓN O EXCLUSIÓN DESCRITA ARRIBA NO SE APLIQUE EN SU CASO.

Esta garantía le confiere derechos legales específicos, y es posible que usted goce de otros derechos, los cuales pueden variar de estado a estado.

Esta garantía se aplica a todas las herramientas para uso en el exterior de la marca RYOBI™ fabricadas por Techtronic Industries North America, Inc. y vendidos en Estados Unidos y Canadá.

Para encontrar el centro de servicio autorizado Ryobi más cercano a usted, llame al 1-800-860-4050.

GARANTÍA

GARANTÍA LIMITADA AL MOTOR

DUCAR Corporation reparará o sustituirá, sin cargo, cualquiera de las partes del motor que tenga defectos en la fabricación, los materiales o ambos. Los cargos de transporte para el envío del producto para su reparación o sustitución bajo los términos de esta garantía están a cargo del comprador. Esta garantía es válida durante los períodos de tiempo indicados a continuación y está sujeta a las condiciones indicadas a continuación. Para obtener servicio de garantía, encuentre el establecimiento de servicio autorizado más cercano en nuestro mapa de establecimientos de servicio de DUCAR.

No se otorgan otras garantías explícitas. Las garantías implícitas, incluidas las de comerciabilidad o aptitud para un propósito determinado, se limitan a dos años a partir de la fecha de compra, o al límite permitido por la ley, y todas las garantías implícitas quedan excluidas. El período de garantía comienza en la fecha de compra por parte del primer consumidor minorista o usuario final. En la medida de lo permitido por la ley, se excluye la responsabilidad por los daños accesorios o consecuentes. Algunos estados o países no permiten limitaciones sobre la duración de las garantías implícitas y algunos países no permiten la exclusión o limitación de los daños accidentales o consecuentes, por lo que la limitación y la exclusión anteriores pueden no aplicarse en su caso. Esta garantía le otorga derechos legales específicos, pero puede tener otros derechos que varían de estado en estado y de país en país.

No es necesario un registro de garantía para obtener una garantía en DUCAR. Guarde su factura como comprobante de compra. Si usted no ofrece pruebas de la fecha de compra original al momento de solicitar servicio de garantía, se usará la fecha de fabricación del producto para determinar el período de garantía.

SOBRE SU GARANTÍA

DUCAR acepta la reparación bajo garantía y se disculpa por las molestias ocasionadas. Cualquier establecimiento de servicio autorizado puede realizar reparaciones bajo garantía. La mayoría de las reparaciones bajo garantía se procesan rutinariamente, pero algunas solicitudes de servicio bajo garantía pueden no ser correctas.

Si un cliente no está de acuerdo con la decisión de un establecimiento de servicio, se llevará a cabo una investigación para determinar si se aplica la garantía. Pida al establecimiento de servicio que envíe toda la evidencia pertinente a su distribuidor o a la fábrica para que sea revisada. Si el distribuidor o la fábrica deciden que la solicitud está justificada, el cliente recibirá un reembolso completo por todos los elementos defectuosos. Para evitar posibles malentendidos entre el cliente y el establecimiento de servicio, a continuación se indican algunas de las causas de fallas en el motor que la garantía no cubre.

Desgaste normal: Los motores, como todo dispositivo mecánico, necesitan mantenimiento y cambios periódicos de algunas partes para funcionar correctamente. La garantía no cubre la reparación en el caso de que el uso normal haya agotado la vida útil de una parte o del motor. La garantía no se aplica a daños al motor producidos por el uso indebido, la falta de mantenimiento periódico, el transporte, la manipulación, el almacenamiento o la instalación incorrecta. Además, la garantía pierde validez si se quita el número de serie del motor o si se modifica o altera el motor.

Mantenimiento inadecuado: La vida útil de un motor depende de las condiciones en las que funciona y el cuidado que recibe. En algunas aplicaciones, como en cultivadoras, bombas o podadoras giratorias, el equipo a menudo se usa en ambientes sucios o polvorientos, lo cual puede provocar lo que pareciera ser un

desgaste prematuro. Dicho desgaste, cuando sea causado por suciedad, polvo, abrasivo para limpiar bujías u otro material abrasivo que haya ingresado al motor por causa de un mantenimiento inadecuado, no está cubierto por esta garantía.

Esta garantía cubre únicamente defectos en los materiales o la fabricación relacionados con el motor, y no sustituciones o reembolsos por el equipo sobre el que pueda montarse en motor. La garantía tampoco se extiende a reparaciones que sean necesarias debido a:

1. Problemas causados por partes que no sean originales de DUCAR.
2. Controles del equipo o instalaciones que eviten el arranque, provoquen un desempeño poco satisfactorio del motor o acorten la vida útil del motor. (Póngase en contacto con el fabricante del equipo.)
3. Pérdidas en el carburador, obstrucciones en las mangueras de combustible, válvulas trabadas u otros daños provocados por el uso de combustible contaminado o viejo.
4. Las partes que se dañen o rompan porque el motor fue usado con aceite lubricante insuficiente o contaminado o un aceite lubricante de grado incorrecto (controle y rellene el aceite cuando sea necesario, y cámbielo en los intervalos recomendados). LA PROTECCIÓN POR BAJO ACEITE no debe apagar el motor en funcionamiento. Pueden producirse daños al motor si no se mantiene un nivel de aceite adecuado.
5. La reparación o el ajuste de partes o equipos asociados como embragues, transmisiones, controles remotos, etc. que no sea fabricados por DUCAR.
6. Daños o desgastes a las partes que hayan sido causados por el ingreso de polvo al motor debido a un mantenimiento o reensamblaje inadecuado del limpiador de aire o el uso de un elemento o cartucho limpiador de aire que no sea original. Limpie y/o cambie el filtro a los intervalos recomendados como se indica en el manual del operador.
7. Partes dañadas a causa de velocidades excesivas o sobrecalentamiento provocado por pasto, escombros o polvo que atasquen y obstruyan las aletas del radiador o el área del volante, o daños causados por el uso del motor en un espacio confinado con ventilación inadecuada. Limpie los escombros del motor a los intervalos recomendados como se indica en el manual del operador.
8. Partes del motor u otros equipos dañadas por la vibración excesiva provocada por un montaje poco firme del motor, cuchillas de corte flojas, cuchillas desbalanceadas o impulsores flojos o desbalanceados, mala unión entre el equipo y el cigüeñal del motor, velocidades excesivas u otros usos indebidos.
9. Daños o dobleces en el cigüeñal por golpear un objeto sólido con la cuchilla de corte de una podadora rotativa o por una correa en "V" demasiado ajustada.
10. Puestas a punto o ajustes de rutina al motor.
11. Fallas del motor o de partes del motor, p. ej. cámara de combustión, válvulas, asientos de válvulas, guías de válvulas o arrollamientos del burro de arranque quemados, causados por el uso de combustibles alternativos como gas de petróleo licuado, gas natural, gasolina alterada, etc.

SI TIENE ALGUNA PREGUNTA EN RELACIÓN CON SUS DERECHOS Y RESPONSABILIDADES RELACIONADOS CON LA GARANTÍA, DEBERÁ COMUNICARSE CON OWT INDUSTRIES, INC., LLAMANDO AL 1-800-726-5760.



OPERATOR'S MANUAL
MANUEL D'UTILISATION
MANUAL DEL OPERADOR
3,600 WATT GENERATOR
GÉNÉRATRICE DE 3600 WATTS
GENERADOR 3 600 WATTS

RY903600

• **PARTS AND SERVICE:** Prior to requesting service or purchasing replacement parts, please obtain your item, manufacturing, and serial numbers from the product data plate.

ITEM NO. _____

MANUFACTURING NO. _____

SERIAL NO. _____

HOW TO OBTAIN REPLACEMENT PARTS: Replacement parts can be purchased online at www.ryobitools.com or by calling 1-800-860-4050. Replacement parts can also be obtained at one of our service centers.

HOW TO LOCATE A SERVICE CENTER: Service centers can be located online at www.ryobitools.com or by calling 1-800-860-4050.

HOW TO OBTAIN CUSTOMER OR TECHNICAL SUPPORT: To obtain customer or technical support please contact us at 1-800-860-4050.

RYOBI is a trademark of Ryobi Limited and is used pursuant to a license granted by Ryobi Limited.

• **PIÈCES ET SERVICE :** Avant de faire la demande de service ou l'achat de pièces de remplacement, veuillez obtenir le numéro d'article, le numéro de fabrication et le numéro de série à partir de la plaque de données du produit.

NUMÉRO D'ARTICLE _____

NUMÉRO DE FABRICATION _____

NUMÉRO DE SÉRIE _____

COMMENT OBTENIR LES PIÈCES DE REMPLACEMENT : Les pièces de remplacement peuvent être achetées en ligne sur le site www.ryobitools.com ou par téléphone au 1-800-860-4050. Les pièces de remplacement peuvent être obtenues à un de nos centres de service.

COMMENT TROUVER UN CENTRE DE SERVICE : Les centres de service peuvent être localisés en ligne au www.ryobitools.com ou en téléphonant au 1-800-860-4050.

COMMENT OBTENIR DE L'AIDE EN CONTACTANT LE SERVICE À LA CLIENTÈLE : Pour contacter le service à la clientèle pour une question technique ou pour tout autre renseignement, veuillez nous téléphoner au 1-800-860-4050.

RYOBI est une marque de Ryobi Limited et est utilisée en vertu d'une licence accordée par Ryobi Limited.

• **PIEZAS DE REPUESTO Y SERVICIO:** Antes de solicitar servicio técnico o comprar piezas de repuesto, obtenga su número de artículo, el número de fabricación y el número de serie de la placa de datos del producto.

NÚMERO DE ARTÍCULO _____

NÚMERO DE FABRICACIÓN _____

NÚMERO DE SERIE _____

CÓMO OBTENER PIEZAS DE REPUESTO: Las piezas de repuesto se pueden comprar en nuestro sitio en la red mundial, en la dirección www.ryobitools.com o llamando al 1-800-860-4050. Las piezas de repuesto también se pueden obtener en uno de nuestros centros de servicio.

CÓMO LOCALIZAR UN CENTRO DE SERVICIO: Puede encontrar los centros de servicio visitando nuestro sitio en la red mundial, en la dirección www.ryobitools.com or by calling 1-800-860-4050.

CÓMO OBTENER SERVICIO O ASISTENCIA TÉCNICA AL CONSUMIDOR: Para obtener servicio o asistencia técnica al consumidor, sírvase comunicarse con nosotros llamando al 1-800-860-4050.

RYOBI es una marca de Ryobi Limited y se utiliza conforme a una licencia otorgada por Ryobi Limited.

TECHTRONIC INDUSTRIES POWER EQUIPMENT

1428 Pearman Dairy Road, Anderson, SC 29625 USA

1-800-860-4050 • www.ryobitools.com

991000650

8-7-17 (REV:02)