

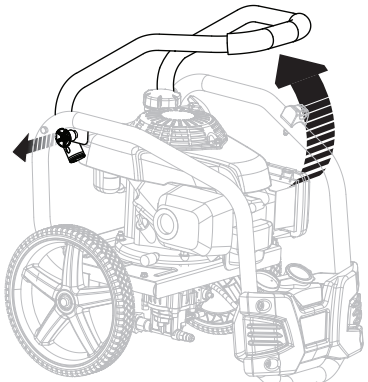
RY80940 SERIES QUICK REFERENCE GUIDE

⚠ WARNING:

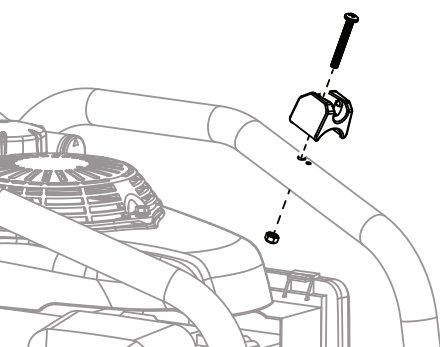
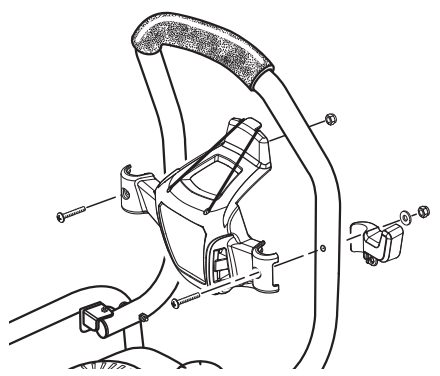
This Quick Reference Guide is not a substitute for reading the operator's manual. To reduce the risk of injury or death, user must read and understand operator's manual before using this product. All page references refer to the operator's manual.

FIRST TIME ASSEMBLY

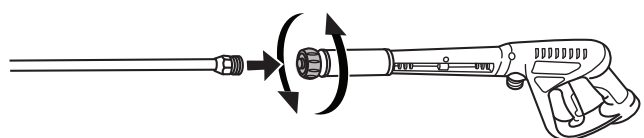
1 Raise the handle (see page 8).



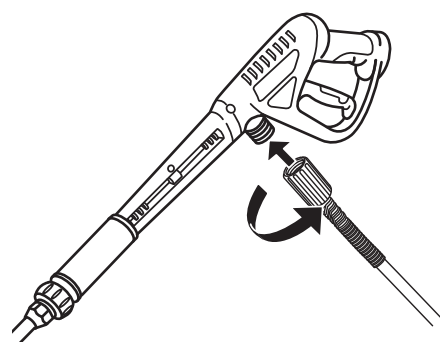
2 Install the trigger handle holder, spray wand holder, and hose storage (see page 8).



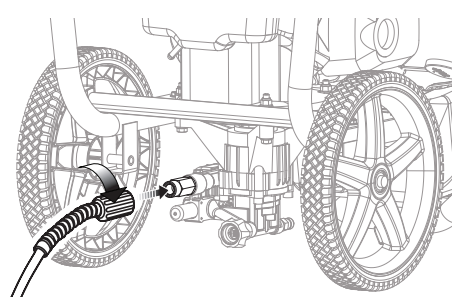
3 Assemble the trigger handle (see page 8).



4 Connect the high pressure hose to the trigger handle (see page 9).

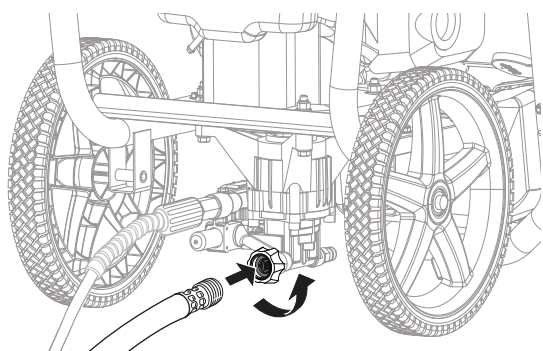


6 Connect the high pressure hose to the pump (see page 9).



Completely uncoil and straighten high pressure hose to prevent kinks.

7 Connect your garden hose to the pressure washer (see page 9).



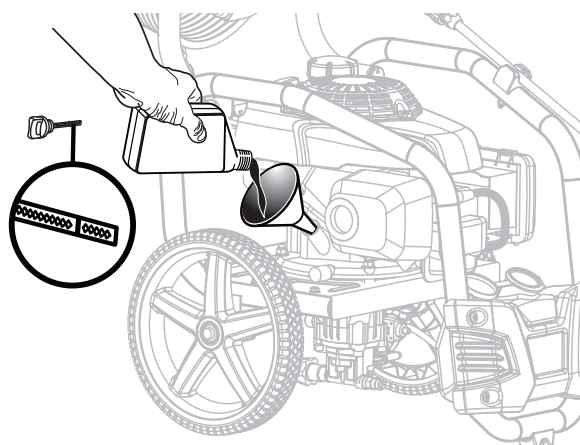
Completely uncoil garden hose or remove completely from reel to prevent kinks.

Turn water faucet on fully.

Make sure there are no leaks.

With no nozzle installed, squeeze the trigger to relieve air pressure. Hold the trigger until a steady stream of water appears.

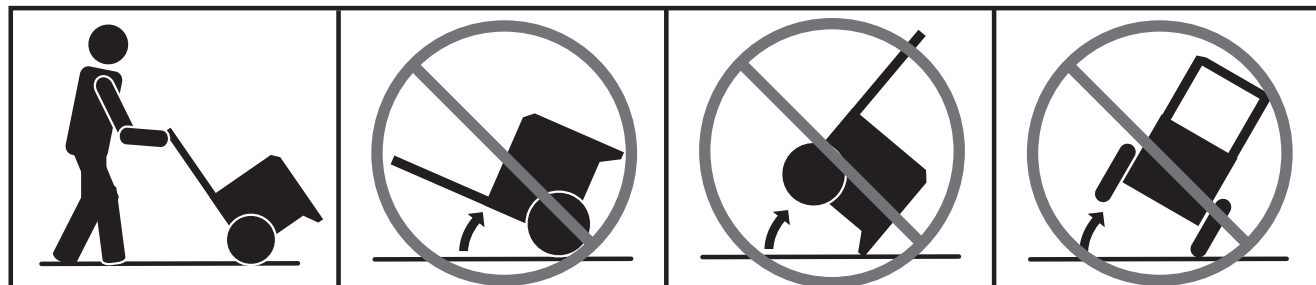
8 Add entire bottle of lubricant provided to the pressure washer (see page 10).



Turn the fuel valve to OFF before adding lubricant.

Set unit on flat surface so engine is level. Remove dipstick, wipe clean, put back in hole (but don't screw in) and check lubricant level.

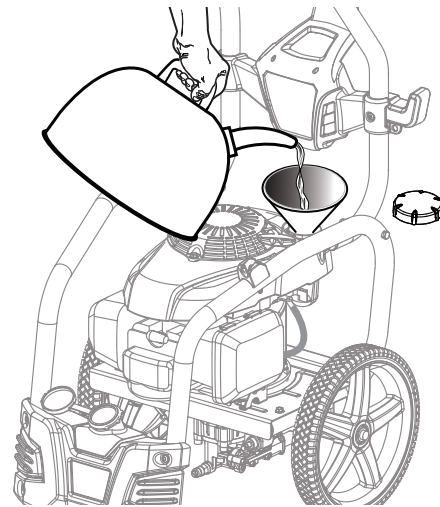
DO NOT OVERTILT THE UNIT!



STARTING THE UNIT (COLD START)

1 Add fuel (see page 10).

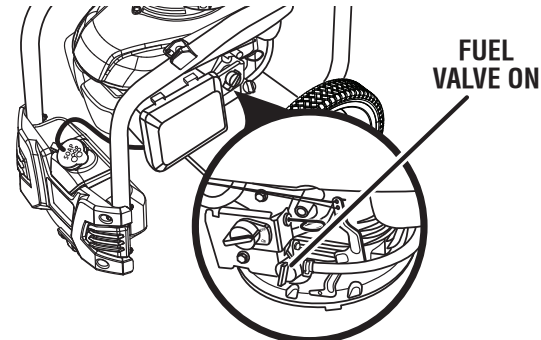
NOTICE: Do not use E15 or E85 fuel (or fuel containing greater than 10% ethanol) in this product. It is a violation of federal law and will damage the unit and void your warranty.



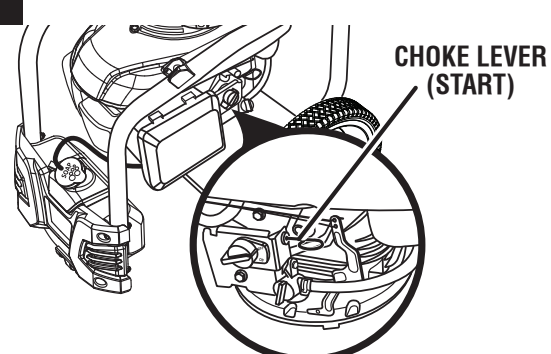
This is a 4-cycle engine. Do not mix fuel and lubricant together.

Add fuel stabilizer every time you fuel the machine.

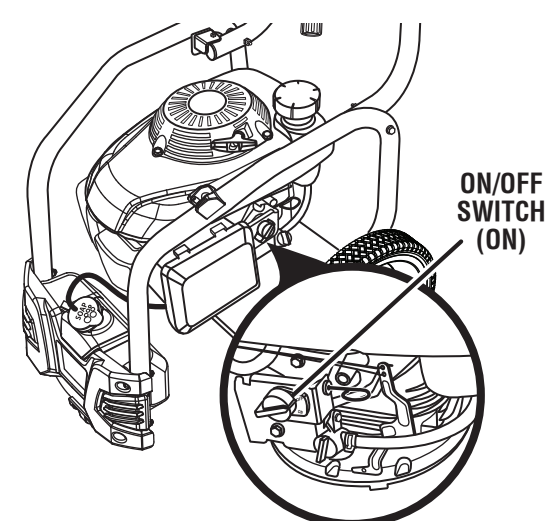
2 Turn the fuel valve to ON (see page 11).



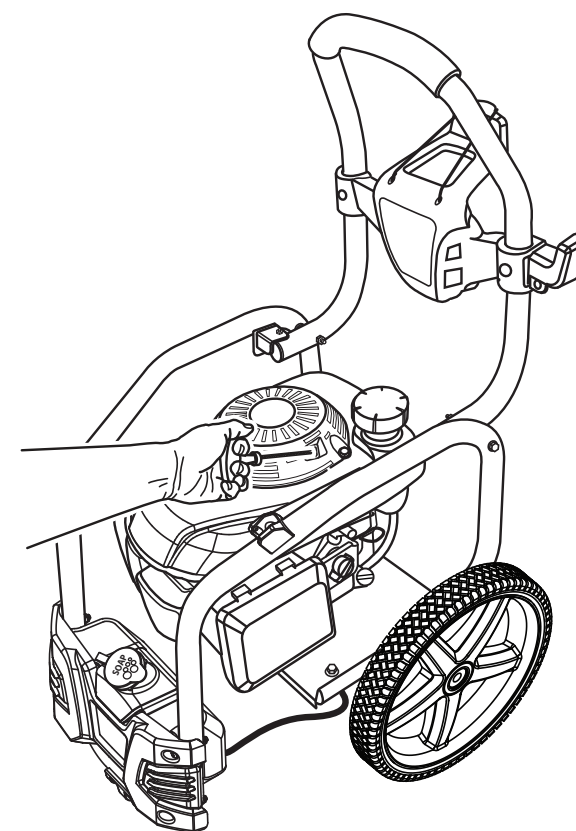
3 Put choke lever in START position (see page 11).



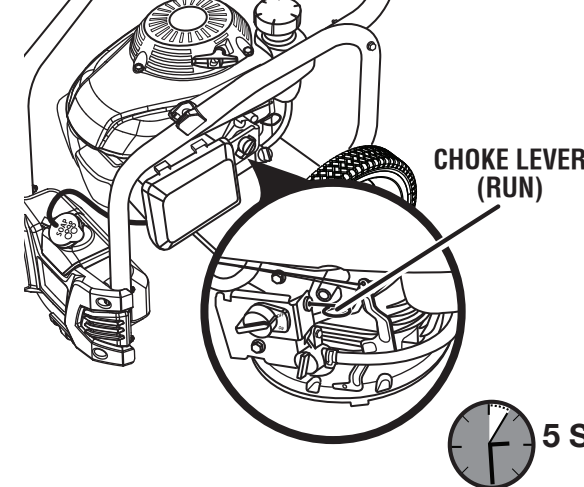
4 Put on/off switch in ON position (see page 11).



5 Pull starter grip and rope to start (see page 11).

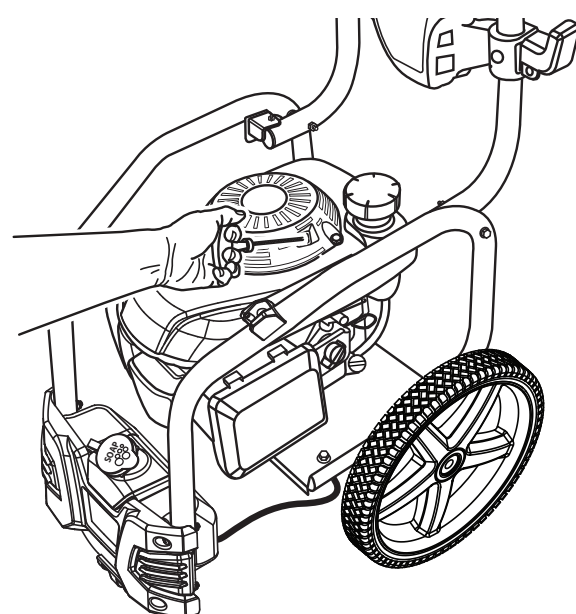


6 Allow engine to run for several seconds, then move choke to RUN position (see page 11).



RESTARTING THE UNIT (HOT RESTART)

1 Pull starter grip and rope to start (see page 11).

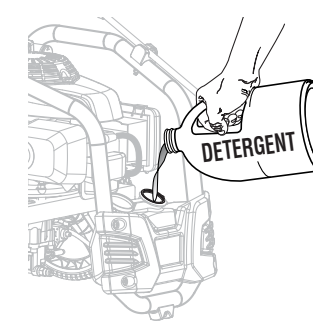


If the engine does not start:

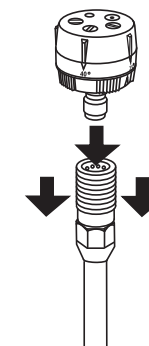
- check for enough fuel;
- may need to adjust choke position;
- try starting again.

USING DETERGENT

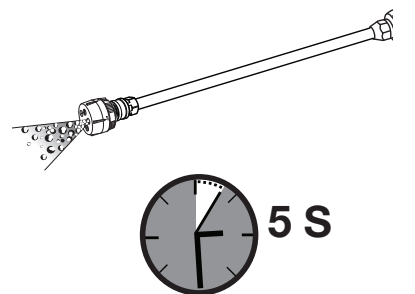
1 Pour pressure washer detergent in detergent tank (see page 13).



2 Install nozzle and rotate selector to blue or blue setting (see page 13).



3 Squeeze trigger and wait approx. 5 seconds for soap (see page 13).



Use of soap nozzle will activate detergent injector at a 20:1 dilution ratio.
WARNING! Never use bleach or solvent-based detergent.

- Will damage your pump
- Will void your warranty
- Will damage plants/shrubs

NOZZLE SELECTION GUIDE

Use the chart below to determine the correct nozzle for your job.

0° 25° 40° SOAP	HIGH PRESSURE (NO SOAP WHEN USING THESE NOZZLES)			LOW PRESSURE (FOR SOAP OR GENTLE RINSE)	
	0°	25°	40°	Long Range	Short Range
ABRASIVE — GENTLE					
Concrete, Brick, Masonry	✓	✓	✓	✓	✓
Siding, Gutters, House		✓	✓	✓	✓
Fencing, Deck, Patio		✓	✓	✓	✓
Lawn Equipment, Boat, RV		✓	✓	✓	✓

✓ Recommended Nozzle ✓ Use With Caution for Certain Applications

BEFORE STORING THE UNIT

1 Add Pump Protector to the unit after each use and before storing. This will significantly improve pump life (see page 15).
To order Pump Protector, call customer service at 1-800-860-4050.
To add, follow the instructions provided by the Pump Protector manufacturer.



If you need more assistance, visit our website at www.ryobitools.com or call us at 1-800-860-4050.

RYOBI