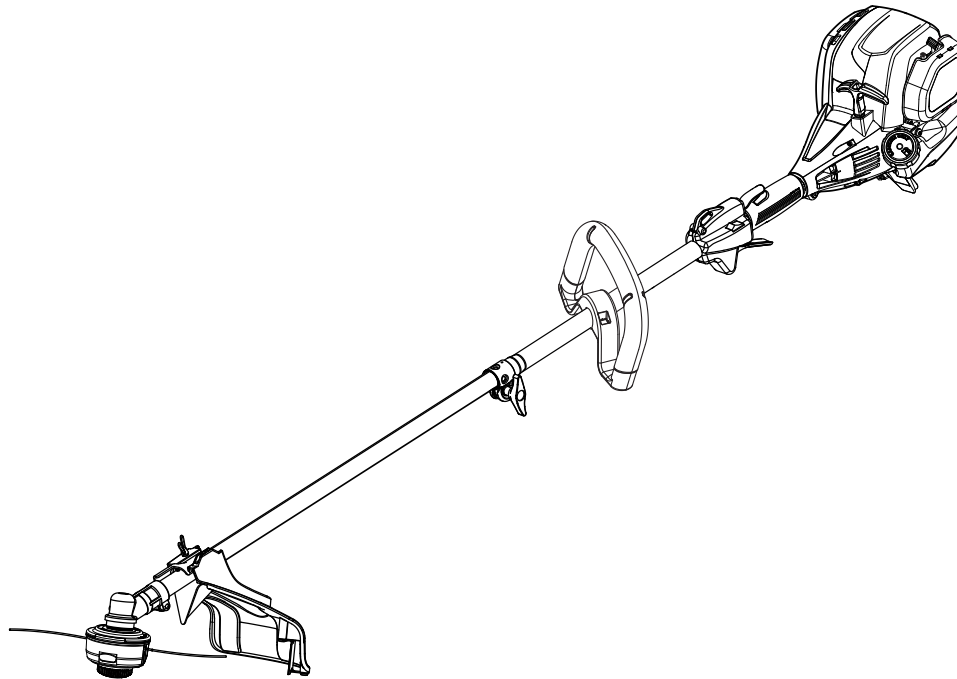
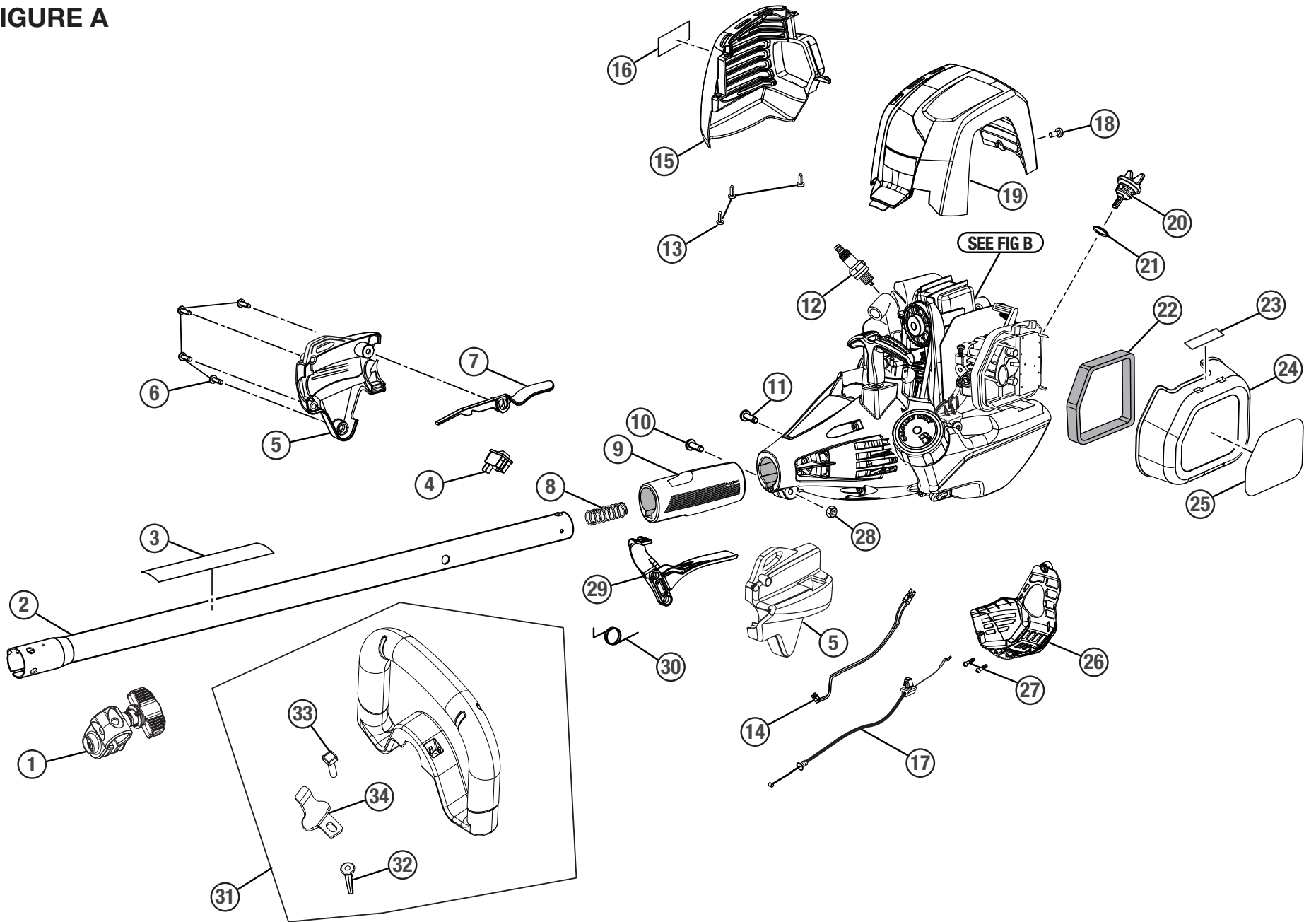


**REPAIR SHEET**

BRAND <b>RYOBI</b>	DESCRIPTION <b>30cc String Trimmers</b>
MODEL NO. <b>RY4CSSVNM</b>	MFG. NOS. <b>095432124</b>

**TTI CONSUMER POWER TOOLS, INC.**P.O. Box 1288, Anderson, SC 29622 ■ 1-800-525-2579 ■ [www.ryobitools.com](http://www.ryobitools.com)**5-2-25 (Rev:05)***The model number and manufacturing location will be found on a label attached to the product. Always mention this information in all communications regarding this product and when ordering parts.*

**FIGURE A**



# RY4CSSVNM/R Y4CCSVNM

## PARTS LIST – FIGURE A

KEY NO.	PART NO.	DESCRIPTION	QTY.
1	315386001	Boom Clamp Assembly	1
2	308470060	Upper Boom Assembly (Inc. Key Nos. 1 and 3)	1
3	940657164	Warning Label	1
4	760961002	Switch (Momentary Contact)	1
5	310831005	Control Handle Assembly (Inc. Key No. 6)	1
6	660563002	Screw (M4 x 20 mm, T20 Torx Pan Hd.)	4
7	518695012	Trigger Lock	1
8	690140011	Compression Spring	1
9	570234010	Rear Handle	1
10	660697002	Bolt (M6 x 20 mm, T27 Torx Button Hd.)	1
11	660925011	Screw (M4 x 8 mm, T25 Torx Pan Hd. T.F.)	1
12*	870301002	Spark Plug (Champion RY4C)	1
13	660466002	Screw (M4 x 12 mm, T20 Truss Hd.)	3
14	308431006	Lead Assembly	1
15	311551001	Muffler Housing (Inc. Key No. 16)	1
16	940654088	Combustion Warning Label	1
17	308842018	Throttle Cable	1
18	660510008	Shoulder Screw (M4 x 11 mm, T25 Torx Pan Hd.)	1

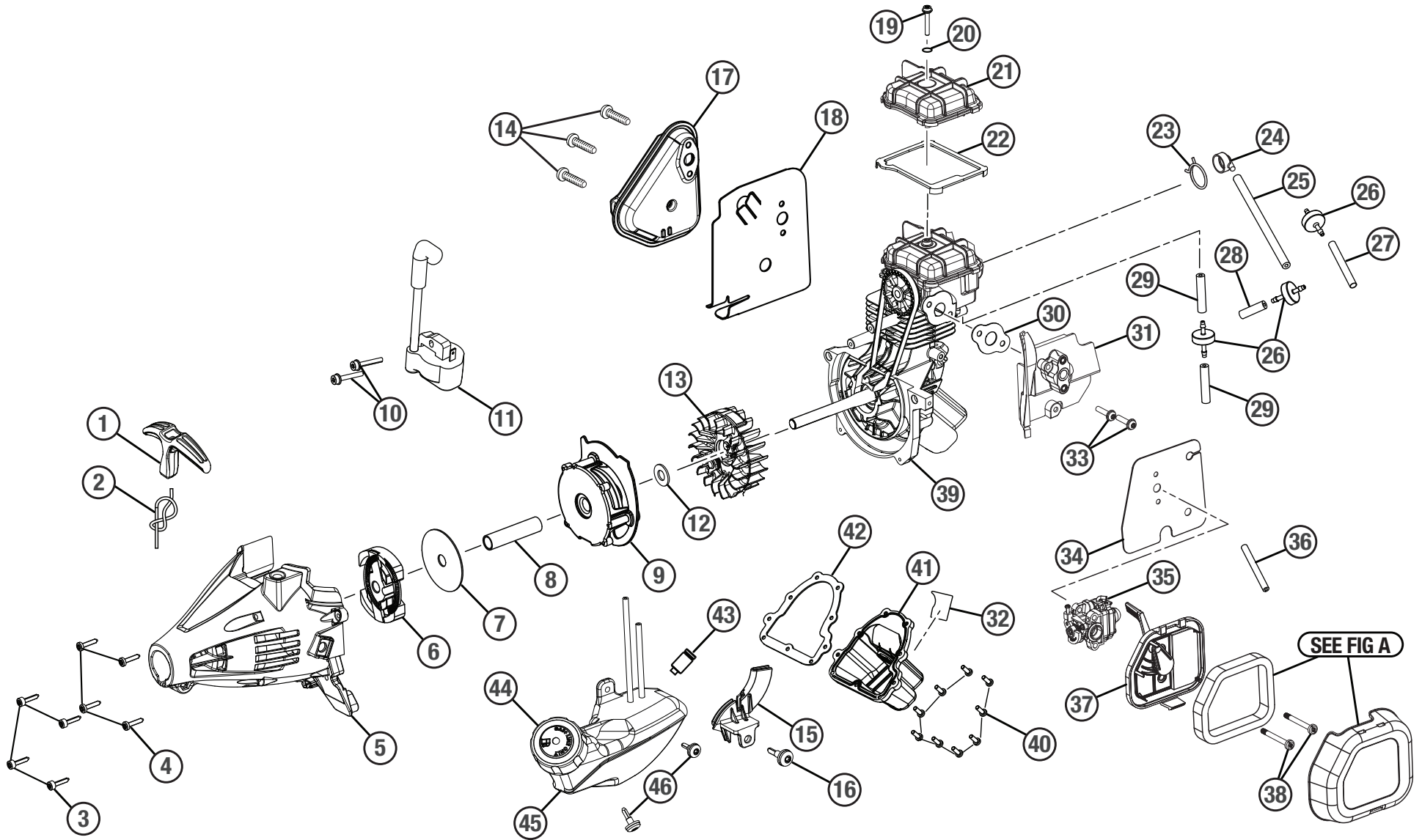
KEY NO.	PART NO.	DESCRIPTION	QTY.
19	518142003	Top Cover	1
20	310302001	Oil Cap/Dipstick (Inc. Key No. 21)	1
21	570400001	O-Ring	1
22	901723001	Air Filter	1
23	940647090	Choke Label	1
24	311550001	Air Filter Cover (Inc. Key No. 23 and 25)	1
25	940686173	Starting Label	1
26	518548001	Bottom Cover	1
27	T660619001	Screw (#6-19 x 1/2 in., Pan Hd. T.F.)	2
28	678029002	Hex Nut (M6)	1
29	518696020	Throttle Trigger	1
30	690694002	Torsion Spring (Throttle Trigger)	1
31	308056009	Front Handle Assembly (Inc. Key Nos. 32-34)	1
32	518949001	Wing Nut	1
33	660857001	Screw (1/4-20 x 1 mm, Square Hd.)	1
34	639167001	Assist Handle Clamp	1
	<b>Not Shown:</b>		
	995000089	Operator's Manual	

*\*Standard Hardware Item – May Be Purchased Locally*



# RY4CSSVM/R4CCSVNM

FIGURE B





# RY4CSSVNM/R Y4CCSVNM

## PARTS LIST – FIGURE B

KEY NO.	PART NO.	DESCRIPTION	QTY.
1	525485001	Starter Grip	1
2	900849002	Starter Rope	1
3	660466001	Screw (M4 x 18 mm, T20 Torx Soc. Hd.)	4
4	660970001	Screw (M4 x 16 mm, T20 Torx Soc. Hd.)	4
5	310304001	Starter Housing Assembly	1
6	300960002	Clutch Assembly	1
7	638090001	Washer (ID9.63 x OD50.75 x 1.10t)	1
8	638284002	Spacer	1
9	310305001	Starter Housing Assembly	1
10	660968001	Screw (M4 x 19 mm, T20 Torx Pan Hd.)	2
11	309263002	Ignition Module	1
12	650017001	Washer (ID9.75 x OD20 x 1.6t)	1
13	309011001	Flywheel Assembly	1
14	66114001	Screw (M5 x 42 mm, T25 Torx Truss Hd.)	3
15	526450001	Throttle Cable Guide	1
16	660970008	Shoulder Screw (M4 x 19 mm, T25 Torx Truss Hd.)	1
17	309320002	Muffler Assembly	1
18	901702001	Muffler Gasket	1
19	660780002	Screw (M4 x 27 mm, T20 Torx Truss Hd.)	1
20	570400002	O-Ring	1
21	640306001	Cam Cover	1
22	901705003	Cam Cover Gasket	1
23	678850001	Wire Clamp	1
24	570401002	Breather Fitting	1
25	570710015	Breather Hose (120 mm)	1

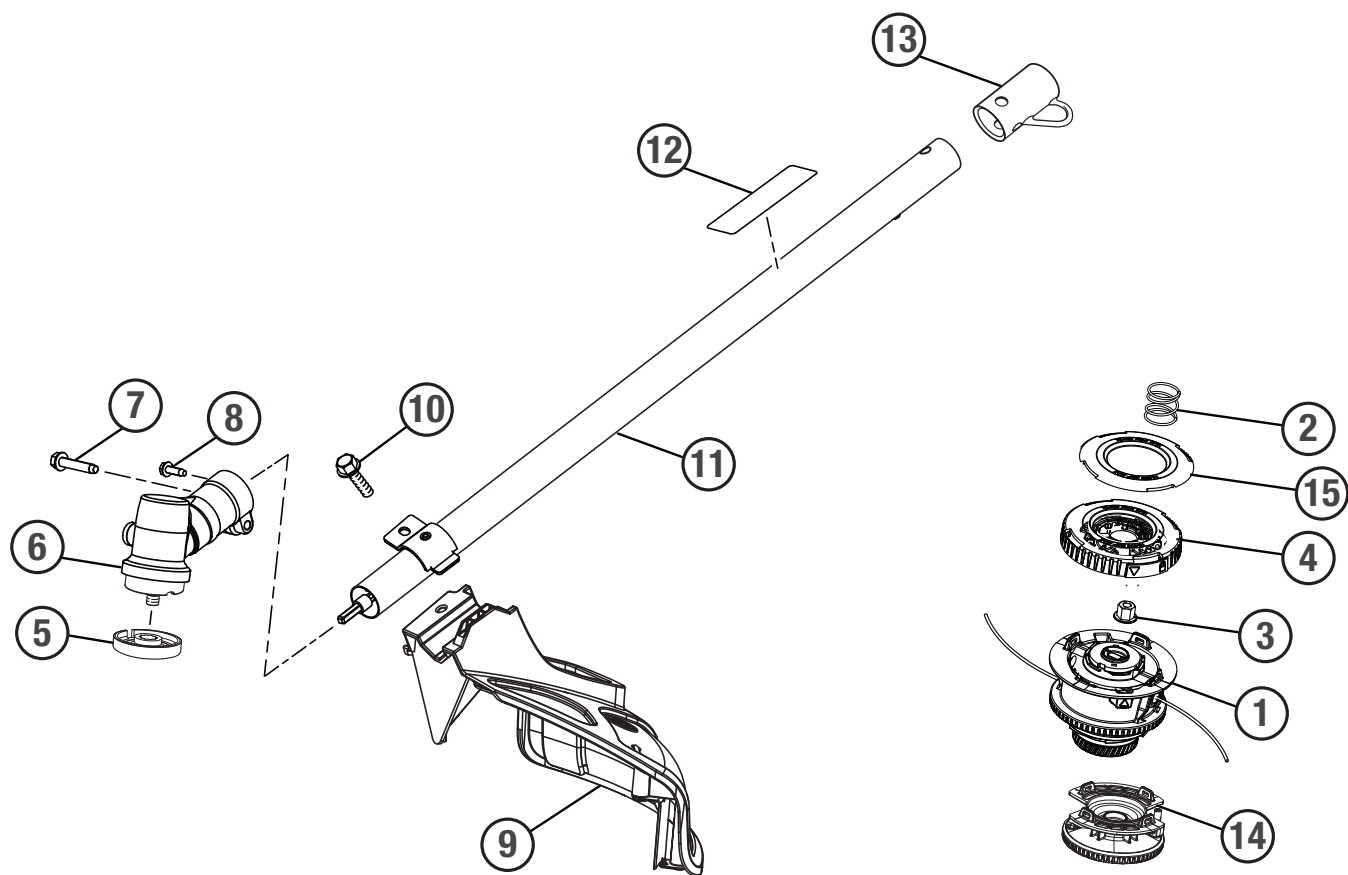
KEY NO.	PART NO.	DESCRIPTION	QTY.
26	308826002	Check Valve	3
27	901666003	Shield Sleeve (M6 x 50 mm)	1
28	570710002	Breather Hose (24 mm)	1
29	570710003	Breather Hose (34 mm, Crankcase)	2
30	901657003	Heat Dam Gasket	1
31	531999001	Heat Dam	1
32	940680023	Hot Surface Label	1
33	660629003	Screw (M5 x 23 mm, T25 Torx Pan Hd.)	2
34	900809013	Heat Shield w/Gasket (Carburetor)	1
35*	309375010	Carburetor	1
36	570710004	Breather Hose (50 mm)	1
37	308398009	Air Box Base Assembly	1
38	660454015	Screw (M5 x 44 mm, T20 Torx Hd.)	2
39	309962032	Short Block Assembly	1
40	660925003	Screw (M4 x 12 mm, T20 Torx Hd.)	9
41	340205001	Oil Pan (Inc. Key No. 47)	1
42	570709002	Oil Pan Gasket	1
43	310976001	Fuel Filter	1
44	310816017	Fuel Cap Assembly	1
45*	310585017	Fuel Tank w/Cap (Inc. Key Nos. 43-44)	1
46	660970002	Shoulder Screw (M4 x 14 mm, T25 Torx Truss Hd.)	2
	<b>Not Shown:</b>		
*	120900278	High Altitude Kit	

\* For models prior to date code 9-30-21, key nos. 35, 45, and the High Altitude Kit (if needed) must be replaced together.



# RY4CSSVNM/RY4CCSVNM

**FIGURE C**  
RY4CSSVNM



## PARTS LIST – FIGURE C (RY4CSSVNM)

KEY NO.	PART NO.	DESCRIPTION	QTY.
1	315188002	Lower Housing and Spool Assembly	1
2	679958001	Compression Spring	1
3	662568002	Hex Nut (M8)	1
4	205828002	Upper Housing and Locking Assembly (Inc. Key No. 20)	1
5	678011001	Flanged Washer	1
6	308210009	Gear Case Assembly	1
7	660642001	Screw (1/4-20 x 1-1/4 in., Hex Washer Hd. S.T.)	1
8	660736001	Screw (10-24 x 5/8 in., Hex Washer Hd. S.T.)	1

KEY NO.	PART NO.	DESCRIPTION	QTY.
9	308473004	Grass Deflector Assembly (Inc. Key No. 15)	1
10	660738002	Screw (1/4-20 x 1-1/4 in., Hex Washer Hd.)	1
11	205372001	Straight Shaft Assembly (Inc. Key Nos. 17-18)	1
12	940657165	Warning Icon Label	1
13	518019004	Storage Hanger Cap	1
14	314795002	Fixed Line and Blade Housing Assembly	1
15	941097129	String Head Label	1