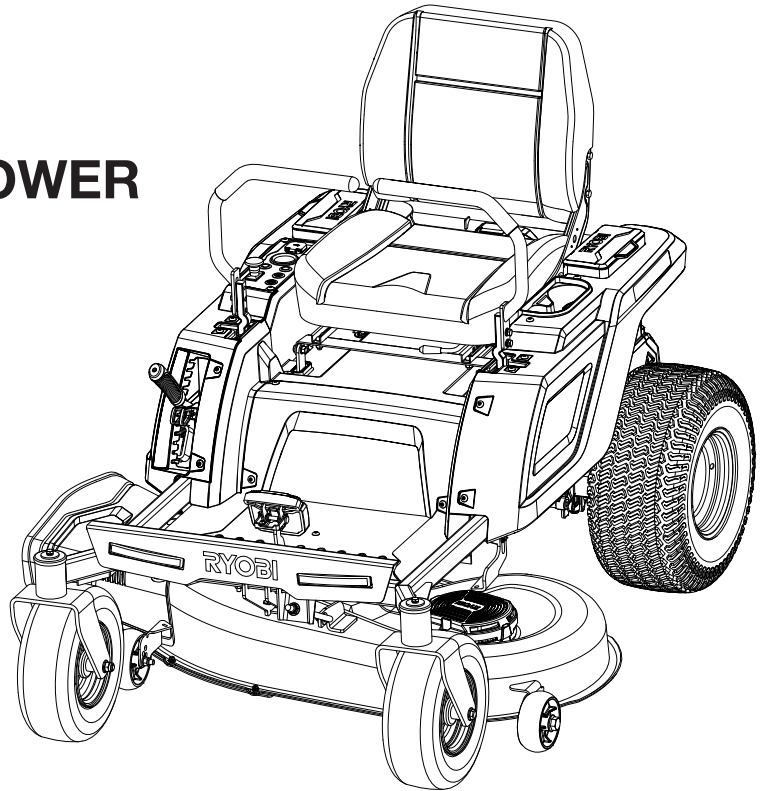




**OPERATOR'S MANUAL**  
**MANUEL D'UTILISATION**  
**MANUAL DEL OPERADOR**  
**ELECTRIC ZERO TURN MOWER**  
**TONDEUSE ÉLECTRIQUE**  
**À BRAQUAGE ZÉRO**  
**PODADORA ELÉCTRICA**  
**DE GIRO CERO**  
**RY48ZTR75/RV48ZTR100/**  
**RY48ZTR75CAN/**  
**RY48ZTR100CAN**



**TABLE OF CONTENTS**

- Important Safety Instructions..... 2-5
- Important Safety Rules for  
Charger ..... 5-6
- Symbols ..... 7-8
- Safety Labels ..... 9-10
- Features ..... 11-12
- Operation ..... 13-21
- Maintenance ..... 22-30
- Accessories.....31
- Troubleshooting ..... 32-34
- Slope Guide ..... 35-36
- Parts Ordering/Service..... Back Page

**TABLE DES MATIÈRES**

- Instructions importantes  
concernant la sécurité ..... 2-5
- Règles de sécurité importantes  
concernant le chargeur ..... 5-6
- Symboles ..... 7-8
- Étiquettes de sécurité ..... 9-10
- Caractéristiques ..... 11-12
- Utilisation ..... 13-21
- Entretien ..... 22-30
- Accessoires.....31
- Dépannage..... 32-34
- Guide de pente ..... 35-36
- Commande de pièces /  
réparation..... Page arrière

**ÍNDICE DE CONTENIDO**

- Instrucciones de seguridad  
importantes ..... 2-5
- Reglas de seguridad importantes  
para el empleo del cargador ..... 5-6
- Símbolos ..... 7-8
- Etiquetas de seguridad ..... 9-10
- Características ..... 11-12
- Funcionamiento ..... 13-21
- Mantenimiento ..... 22-30
- Accesorios .....31
- Corrección de problemas ..... 32-34
- Guía de pendientes..... 35-36
- Pedidos de piezas/  
servicio ..... Pág. posterior

**⚠ WARNING:** To reduce the risk of injury, the user must read and understand the operator's manual before using this product.

**⚠ AVERTISSEMENT :** Pour réduire les risques de blessures, l'utilisateur doit lire et veiller à bien comprendre le manuel d'utilisation avant d'employer ce produit.

**⚠ ADVERTENCIA:** Para reducir el riesgo de lesiones, el usuario debe leer y comprender el manual del operador antes de usar este producto.

**SAVE THIS MANUAL FOR  
FUTURE REFERENCE**

**CONSERVER CE MANUEL  
POUR FUTURE RÉFÉRENCE**

**GUARDE ESTE MANUAL  
PARA FUTURAS CONSULTAS**

# IMPORTANT SAFETY INSTRUCTIONS



## DANGER:

**READ ALL SAFETY WARNINGS, INSTRUCTIONS, AND ASSEMBLY INSTRUCTIONS PROVIDED WITH THIS PRODUCT.** Use of a Zero Turn Mower requires an understanding of how the mower and controls operate. Failure to follow all warnings and instructions will result in death, serious personal injury, electric shock, and/or fire.

## READ ALL INSTRUCTIONS

- This cutting machine is capable of amputating hands and feet and throwing objects. Failure to observe all safety instructions could result in serious injury or death.
- Avoid dangerous environment — Do not use the lawn mower in damp or wet conditions or operate in the rain.
- Keep children away — Keep all bystanders, children, and pets at least 100 ft. away. Stop the mower and turn off the machine if anyone enters the area.
- Tragic accidents can occur if the operator is not alert to the presence of children. Children are often attracted to the machine and the mowing activity. **NEVER** assume that children will remain where you last saw them.
- Keep children out of the mowing area and in the watch-care of a responsible adult other than the operator.



- Be alert; stop and turn machine off if a child enters the area.
- Before and while backing, maneuvering in reverse, or turning around, look behind and down for small children, bystanders, and pets.
- Be especially careful before and when backing, maneuvering in reverse, or turning around with the bagger kit installed, as it may limit visibility. Always look closely behind and down for small children, bystanders, and pets, and move the mower slowly.
- Never carry children, even with the blades shut off. They may fall off and be seriously injured or interfere with safe machine operation. Children who have been given rides in the past may suddenly appear in the mowing area for another ride and be run over or backed over by the machine.



- Never allow children to operate the machine.



## WARNING:

**CHILDREN CAN BE KILLED OR SERIOUSLY INJURED BY THIS EQUIPMENT.** The American Academy of Pediatrics recommends that children be a minimum of 16 years of age before operating a riding lawn mower.

- Use extreme care when approaching blind corners, shrubs, trees, or other objects that may block your view of a child.
- Wear heavy, long pants, long sleeves, gloves, and protective footwear that will protect your feet and improve your footing on slippery surfaces. Do not wear loose-fitting clothing, short pants, sandals, or go barefoot. Do not wear jewelry of any kind. They can be caught in moving parts.
- Never leave a running machine unattended. Always turn off blades, set parking brake, stop motor, and remove key before dismounting.
- Check brake operation before each use and frequently during use. Adjust and service as required.
- Keep hands and feet away from cutting area, which is located under the mower deck and inside the side discharge chute. Keep clear of the side discharge chute opening at all times. Do not reach under the mower deck.
- Operate the lawn mower only in daylight or good artificial light.
- Use safety glasses — Always wear eye protection with side shields marked to comply with ANSI Z87.1. Use face mask if operation is dusty.
- Use the right appliance — Do not use the lawn mower for any job except that for which it is intended.
- Do not force the lawn mower — It will do the job better and safer at the rate for which it was designed.
- Do not charge lawn mower in rain, or in wet locations.
- Stay alert — Watch what you are doing and use common sense when operating the lawn mower. Do not operate the mower while tired, upset, or under the influence of drugs, alcohol, or medication. A moment of inattention while operating the lawn mower may result in serious personal injury.
- Maintain lawn mower with care — Keep machine in good working condition. Keep blades sharp and guards in place and in working order. To prevent serious personal injury, damage to the mower, and for best performance, replace damaged or unevenly worn blades.
- Check all nuts, bolts, and screws before each use for proper tightness to be sure the equipment is in safe working condition. Mower blades are sharp. Wrap the blades or wear gloves, and use extra caution when servicing them.
- Stop the motor, wait until blades come to a complete stop, and remove the start key before cleaning the lawn mower, removing the bagger, or removing the mulch cover.

# IMPORTANT SAFETY INSTRUCTIONS

- Replace blade if it is bent, cracked, or damaged in any way. An unbalanced blade causes vibration that could damage the motor drive unit or cause personal injury. Sharpen a dull blade equally at each end to maintain the balance. Clean the blade thoroughly and check its balance by supporting it horizontally on a thin nail through its center hole. The nail should be in a horizontal position. If either end of the blade rotates downward, remove some metal from the heavy lower end until the blade is balanced. It is balanced when neither end drops.
- The side discharge chute is a spring-loaded guard that covers the side discharge opening on the mower deck and deflects grass clippings and debris away from the operator. Always ensure that the motor is off and the blades have stopped moving before inspecting, moving, cleaning, or performing maintenance on the side discharge chute.
- Always use safety protective devices. Do not operate the mower without the side discharge chute in place and working properly. Mulch cover should be correctly installed and working properly during mulching operation and bagger kit should be correctly installed and working properly during bagging operation.
- Never interfere with the intended function of a safety device or reduce the protection provided by a safety device. Check their proper operation regularly.
- Never tamper with safety devices. Check for proper operation regularly.
- Follow manufacturer's instructions for proper operation and installation of accessories. Only use accessories approved by the manufacturer. The use of other accessories may increase the risk of injury.
- Clear the work area before each use. Remove all objects such as rocks, sticks, metal, wire, bones, toys, fallen tree limbs, tree nuts, or other objects which can be thrown by the blade.
- Objects struck by the lawn mower blades can cause severe injuries to persons. The lawn should always be carefully examined and cleared of all objects prior to each mowing.
- If the lawn mower strikes a foreign object, follow these steps:
  - Stop the lawn mower, set the parking brake, wait until the blades come to a complete stop, and then remove start key.
  - Thoroughly inspect the mower for any damage.
  - Replace the blade if it is damaged in any way. Repair any damage before restarting and continuing to operate the mower.
- Slopes are a major factor related to loss of control and tip-over accidents, which can result in severe injury or death. Operation on all slopes requires extra caution. If you cannot back up the slope or if you feel uneasy on it, do not mow it. Do not reverse down a slope. Never use on steep slopes greater than 15°.
- Never attempt to ride on a steep slope or mow a slope that is greater than 15°. To determine the angle of your slope, use the **Slope Guide** at the back of this manual.
- Mow up and down slopes, not across.
- Watch for holes, ruts, bumps, rocks, or other hidden objects. Uneven terrain could overturn the machine. Tall grass can hide obstacles.
- Use a slow speed so you will not have to stop suddenly or accidentally accelerate while on a slope.
- Do not mow on wet grass. Tires may lose traction and you may lose control.
- Always keep the drive levers in the forward position when going down slopes. Do not move to neutral and coast downhill, which may cause you to lose control of the mower.
- Avoid starting, stopping, or turning on a slope. If the tires lose traction, disengage the blades and proceed slowly straight down the slope.
- Keep all movement on slopes slow and gradual. Do not make sudden changes in speed or direction, which could cause the machine to roll over.
- Use extra care while operating machine with baggers or other attachments; they can affect the stability of the machine. Do not use on steep slopes greater than 15°.
- Do not try to stabilize the machine by putting your foot on the ground.
- Stay at least two mowing widths (7 feet) away from any ditches, drop-offs, or water. Front caster wheels can rotate when mower is stopped, even with the brake applied, and cause the mower to go over the edge or into the water and result in death or serious personal injury.



- Never direct discharged material toward anyone. Plan your mowing pattern to avoid discharge of material toward bystanders, roads, sidewalks, windows, cars, and the like. Also, avoid discharging material against a wall or obstruction, which may cause the material to ricochet back toward the operator.
- Stop the blade when crossing gravel surfaces to avoid discharging gravel and rocks and drive the mower slowly and carefully to avoid loss of control.
- Use extra care when approaching blind corners, shrubs, trees, or other objects that may block your view.
- Never make any adjustments or repairs with the motor running and/or blades moving. Turn off power switch and remove key.

# IMPORTANT SAFETY INSTRUCTIONS

- Stop the motor, set the parking brake, wait until the blades come to a complete stop, and remove start key before unclogging the side discharge chute or opening. The cutting blades continue to rotate for a few seconds after the motor is shut off. Never place any part of the body in the blade area until you are sure the blades have stopped rotating.
- If the mower should start to vibrate abnormally, stop the motor and check immediately for the cause. Replace the blades if they are unevenly worn or damaged in any way. Vibration is generally a sign of a damaged mower blade.
- Disengage mower blades when not mowing.
- Service on the product and charger must be performed by qualified repair personnel only. Service or maintenance performed by unqualified personnel could result in injury to the user or damage to the product.
- Use only authorized replacement parts when servicing the product. Use identical replacement blades only. Use of unauthorized parts may create a risk of serious injury to the user or damage to the product.
- Maintain or replace safety instructions labels, as necessary.
- Remove start key — Remove start key from the mower before storing, servicing, or changing accessories such as blades. Such preventive safety measures reduce the risk of starting the mower accidentally.
- Stop the unit and remove the start key when not in use. Transport the unit with the motor stopped and the start key removed from the mower.
- Battery tools do not have to be plugged into an electrical outlet; therefore, they are always in operating condition. Be aware of possible hazards when not using your battery tool or when changing accessories. Following this rule will reduce the risk of electric shock, fire, or serious personal injury.
- Do not use battery-operated mower in rain.
- Remove the start key before servicing, cleaning, or removing material from the gardening appliance.
- Store idle lawn mower indoors — When not in use, mower should be stored indoors in a dry, locked place out of the reach of children. The start key should also be removed and stored in a separate location out of the reach of children.
- Follow instructions for changing accessories.
- Only allow responsible adults, who are trained, familiar with and understand the instructions, and are physically capable to operate this machine.
- Never carry passengers.
- Never operate machine in a closed area.
- Do not mow in reverse unless absolutely necessary. Always look down and behind before and while backing.
- Slow down before turning.
- Watch for traffic when operating near or crossing roadways.
- Mowers with rear-wheel drive require more traction than front-wheel-drive mowers. Use extreme caution when mowing on slopes or when crossing wet surfaces to prevent possible tipover.
- While mowing, keep a distance of at least 7 feet from drop-offs, embankments, water, and marsh-like surfaces.
- Use extra care when loading or unloading the machine into a trailer; press the low speed drive button and carefully move the drive levers as needed to control the speed. Always back onto the trailer when loading. When loading or unloading the mower, do not exceed the maximum recommended operation angle of 15°.
- Use full width ramps for loading and unloading a machine for transport.
- Data indicates operators age 60 years and above are involved in a large percentage of riding mower related injuries. These operators should evaluate their ability to operate the riding mower safely enough to protect themselves and others from serious injury.
- Keep machine free of grass, leaves, or other debris build up. Allow machine to cool before storing.
- Do not spray with a garden hose to clean, as it may damage the battery and/or electronic components and result in a short circuit or fire. Use an air moving device, such as a compressor or leaf blower to clean the mower.
- The bagger assembly (if equipped) is subject to deterioration and wear and should be checked each time the mower is used. If replacement is needed, make sure the new bagger meets original manufacturer's recommendations and specifications.

## ADDITIONAL SAFETY RULES FOR BATTERIES

- Do not open or mutilate the batteries. Released electrolyte is corrosive and may cause damage to the eyes or skin. It may be toxic if swallowed.
- Do not dispose of the batteries in a fire. The batteries could explode. Check with local codes for possible special disposal instructions.
- Keep all metal objects like paper clips, coins, keys, nails, screws, or other small metal objects away from the battery and battery terminals that can make a connection from one terminal to another. Shorting the battery terminals together may cause serious burns or a fire.
- Exercise care in handling batteries in order not to short the battery with conducting materials such as rings, bracelets, and keys. The battery or conductor may overheat and cause burns.
- Under extreme usage or temperature conditions, battery leakage may occur. If liquid comes in contact with your skin, wash immediately with soap and water. If liquid gets into your eyes, flush them with clean water for at least 10 minutes, then seek immediate medical attention. Following this rule will reduce the risk of serious personal injury.

## IMPORTANT SAFETY INSTRUCTIONS

- Do not charge battery in an area of extreme heat or cold. Batteries will charge best at temperatures from 32°F to 104°F.
- Only use RYOBI Electric Riding Lawn Mower 75Ah (LPC12-75) or 100Ah (LPC12-100) lead acid batteries.
- Recharge only with the charger specified by the manufacturer. A charger that is suitable for one type of battery pack may create a risk of fire when used with another battery pack.
- Follow manufacturer's recommendations for wheel weights or counterweights.
- Do not attach towed equipment except at the approved hitch point.
- Never allow children or others in or on towed equipment.
- Stopping distance increases with speed and weight of load being towed. Travel slowly and allow extra time and distance to stop.
- Do not turn sharply when towing. Use additional caution when turning or operating under adverse surface conditions. Use care when reversing.

### ADDITIONAL SAFETY RULES FOR TOWING

- Make sure conditions and item being towed are safe for towing and allow for the operator to maintain control of the mower. Never tow on slopes, wet, or unstable surfaces. The total towed weight must not exceed 500 lbs.

## IMPORTANT SAFETY RULES FOR CHARGER

### IMPORTANT SAFETY INSTRUCTIONS

- 1. SAVE THESE INSTRUCTIONS - DANGER - TO REDUCE RISK OF FIRE OR ELECTRIC SHOCK, CAREFULLY FOLLOW THESE INSTRUCTIONS.**  
This manual contains important safety and operating instructions for battery charger SC-48.
- 2. Before using battery charger,** read all instructions and cautionary markings on battery charger, battery, and product using battery.
- 3. CAUTION:** To reduce the risk of injury, charge only RYOBI Electric Riding Lawn Mower 75-100Ah lead acid batteries. Other types of batteries may burst, causing personal injury or damage.

# IMPORTANT SAFETY RULES FOR CHARGER

## SAVE THESE INSTRUCTIONS

### DANGER!




**TO REDUCE THE RISK OF FIRE, ELECTRIC SHOCK, DEATH, OR SERIOUS PERSONAL INJURY, CAREFULLY FOLLOW THESE INSTRUCTIONS.**

- **This manual contains important safety and operating instructions for the charger.** Refer to them frequently and use them to instruct others who may use this product. If you loan someone this product, loan them these instructions also to prevent misuse of the product and possible injury.
  - **Before using the charger,** read and understand all instructions and cautionary markings in this manual, on battery charger, batteries, and 48V mower to prevent misuse of the products and possible injury or damage.
  - **This charger is to be used only for charging RYOBI 48V riding mowers.** Use with other products or batteries may cause personal injury as well as damage to the product or charger.
  - **Lead acid batteries may generate explosive hydrogen gas during normal operation.** Keep sparks, flames, and smoking materials away from batteries.
  - **The charger is not meant for use by children.**
  - **Provide adequate ventilation for the charger to dissipate heat during charging.** The charger will get hot. Keep away from flammable and combustible material and do not cover the charger.
  - **Risk of Burn Hazard** — Charger surfaces may be hot during operation. Use the charger handle only. Mount charger on a table or wall with the cooling fins vertical.
  - **Risk of electric shock.** Do not touch uninsulated portion of output connector or uninsulated battery terminal.
  - **Do not use charger outdoors or expose to wet or damp conditions.** Water entering charger will increase the risk of electric shock. The charger must be plugged into a Class A GFCI receptacle when used outdoors.
  - **Keep charger and charger plug free of contamination and dirt. Do not let gasoline, oils, petroleum-based products, etc. come in contact with plastic parts.** They contain chemicals that can damage, weaken, or destroy plastic.
  - **Keep cord and charger away from heat to prevent damage to housing or internal parts.**
  - **Do not abuse cord or charger.** Never use the cord to carry the charger. Do not pull the charger cord rather than the plug when disconnecting from the charge port. Damage to the cord or charger could occur and create an electric shock hazard. Have damaged cords replaced by an authorized service center immediately.
  - **Do not operate charger with a damaged cord or plug,** which could cause shorting and electric shock. If damaged, have the charger replaced by an authorized service person.
  - **Do not operate charger if it has received a sharp blow, been dropped, or otherwise damaged in any way.** Take it to an authorized service person for electrical check to determine if the charger is in good working order.
  - **Make sure cords are located so that they will not be stepped on, tripped over, come in contact with sharp edges or moving parts, or otherwise subjected to damage or stress.** This will reduce the risk of accidental falls, which could cause injury, and damage to the cords, which could result in electric shock.
  - **An extension cord should not be used unless absolutely necessary.** Use of improper extension cord could result in a risk of fire and electric shock. If extension cord must be used, make sure:
    - a. That pins on plug of extension cord are the same number, size, and shape as those of plug on charger.
    - b. That extension cord is properly wired and in good electrical condition; and
    - c. That wire size is large enough for AC ampere rating of charger as specified below:











Cord Length (Feet)	25'	50'	100'
Cord Size (AWG)	14	14	12
- NOTE:** AWG = American Wire Gauge
- **Do not disassemble charger.** Opening the charger will void its warranty. If charger requires service or repair during the warranty period, take it to an authorized service center to be replaced.
- **Service person must unplug charger from the AC wall outlet and from the mower charge port before attempting any maintenance or cleaning to reduce the risk of electric shock.**

# SYMBOLS

The following signal words and meanings are intended to explain the levels of risk associated with this product.





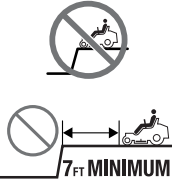


SYMBOL	SIGNAL	MEANING
	<b>DANGER:</b>	Indicates a hazardous situation, which, if not avoided, will result in death or serious injury.
	<b>WARNING:</b>	Indicates a hazardous situation, which, if not avoided, could result in death or serious injury.
	<b>CAUTION:</b>	Indicates a hazardous situation, that, if not avoided, may result in minor or moderate injury.
	<b>NOTICE:</b>	(Without Safety Alert Symbol) Indicates information considered important, but not related to a potential injury (e.g. messages relating to property damage).

Some of the following symbols may be used on this product. Please study them and learn their meaning. Proper interpretation of these symbols will allow you to operate the product better and safer.

SYMBOL	NAME	DESIGNATION/EXPLANATION
	Safety Alert	Indicates a potential personal injury hazard.
	Read Operator's Manual	To reduce the risk of injury, user must read and understand operator's manual before using this product.
	Eye Protection	Always wear eye protection with side shields marked to comply with ANSI Z87.1.
	Keep Children Away	Keep children out of the mowing area and in the watchful care of a responsible adult other than the operator.
	Wet Conditions Alert	Risk of fire and burns. Do not expose battery, battery compartment, or electronic components to rain, water, or liquids. Do not charge battery or expose mower to rain or damp locations. Do not operate on wet ground.
	Electric Shock	Failure to use in dry conditions and to observe safe practices can result in electric shock.
	Keep Hands and Feet Away	Keep hands and feet away from blade and cutting area.
	No Reach	Do not reach hands or feet under mower deck.
	No Slope	Do not operate on steep slopes or inclines greater than 15°. Mow up and down the face of slopes, never across.
	Keep Children and Bystanders Away	Keep all children, bystanders, and animals at least 100 ft. away.

# SYMBOLS

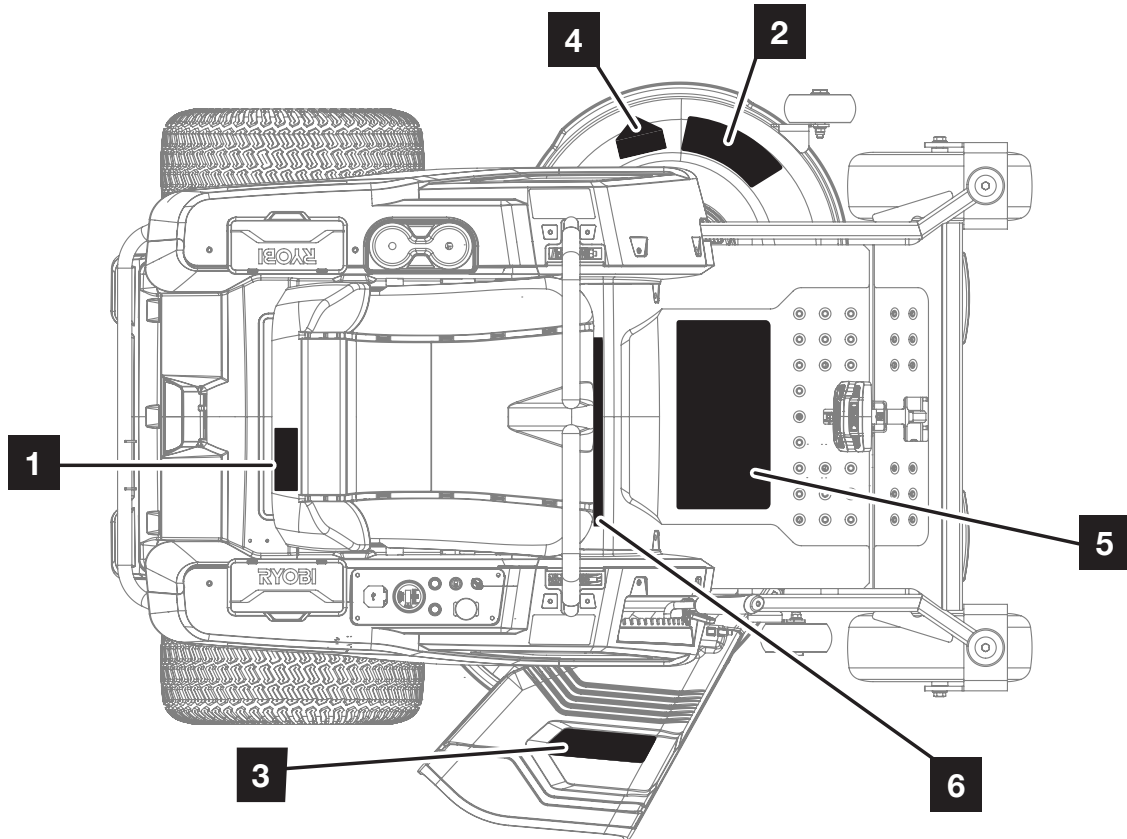
Some of the following symbols may be used on this product. Please study them and learn their meaning. Proper interpretation of these symbols will allow you to operate the product better and safer.

SYMBOL	NAME	DESIGNATION/EXPLANATION
	Ricochet	Thrown objects can ricochet and result in personal injury or property damage.
	Thrown Objects	Thrown objects can ricochet and result in personal injury or property damage. Never direct discharged material toward anyone.
	No Passengers	Never carry children or anyone, even when the blades are off.
	Back With Caution	Always look down and behind you before and when maneuvering in reverse or turning around. Make sure children, bystanders, and pets are clear of the area.
	Keep Away from Ditches, Drop-offs, and Water	Stay at least two mowing widths (7 feet) away from any ditches, drop-offs, or water. Front caster wheels can rotate when mower is stopped, even with brake applied, and cause mower to go over the edge or into the water.
	Recycle Symbol	This product uses lead acid (Pb) batteries. Local, state or federal laws may prohibit disposal of batteries in ordinary trash. Consult your local waste authority for information regarding available recycling and/or disposal options.
	Direct Current	Type or a characteristic of current
V	Volts	Voltage
A	Amperes	Current
Hz	Hertz	Frequency (cycles per second)
W	Watt	Power
hrs	Hours	Time



# SAFETY LABELS

The following labels are found on the product. For your safety, please review and understand all of the labels before starting the product. If any of the labels come off the unit or become hard to read, contact an authorized service center for replacement.



**1**

**RYOBI** RY48ZTR75 ELECTRIC ZERO TURN MOWER  
099749015 TONDEUSE ÉLECTRIQUE ZERO TURN  
ZERO TURN ÉLECTRIQUE TIPO TRACTOR

48V  $\approx$  42 in. (106.7 cm) 75 Ah  
Cutting Path / Chemin de coupe / Trayectoria de corte

For use only with SC-48 charger. For use only with LPC12-75 or LPC12-100 battery.  
Utiliser seulement avec SC-48 chargeur. Utiliser seulement avec la batterie LPC12-75 ou LPC12-100.  
Use sólo con SC-48 cargador. Para utilizar únicamente con la batería LPC12-75 o LPC12-100.

Techtronic Industries Power Equipment  
P.O. Box 1288, Anderson, SC 29622  
1-800-860-4050 www.ryobitools.com

Made in China  
Fabriqué en Chine  
Fabricado en China

**3**

**⚠ DANGER**

Risk of injury. Keep hands and feet away from rotating blades. Make sure mower and blades are stopped before placing hands or feet near blades. Do not operate mower unless chute deflector or entire grass catcher is in its proper place. Do not put hands or feet under or into mower when motor is running. Before mowing, clear area of objects that may be thrown by the blade.

Etiquetar a español provisto. Llame a 1-800-860-4050 para su sustitución.

**2**

**⚠ DANGER**

Risk of injury. Keep hands and feet away from rotating blades. Make sure mower and blades are stopped before placing hands or feet near blades. Do not operate mower unless chute deflector or entire grass catcher is in its proper place. Do not put hands or feet under or into mower when motor is running. Before mowing, clear area of objects that may be thrown by the blade.

Etiquetar a español provisto. Llame a 1-800-860-4050 para su sustitución.

Assemble chute deflector to this unit before operating.

**4**

**DANGER**

**KEEP HANDS and FEET AWAY**

Sello español siempre.  
Llame a 1-800-860-4050 para su sustitución.

# SAFETY LABELS

5

## ⚠ WARNING



- Keep all safety devices, guards, shields, and switches in place and in working order.
- Know location and function of all controls.
- Before leaving operator's position, disengage blades, engage parking brake, shut off, and remove key.
- Keep hands and feet away from rotating parts.
- Remove any objects from the mowing area that can be thrown by the blades.
- Store idle ride on mower indoors.



Do not expose battery, battery compartment, or electronic components to rain, water, or liquids. Do not charge battery or expose mower to rain or damp locations.



## ⚠ DANGER

### ROTATING BLADES AND TIP OVER/ROLL OVER CAUSE DEATH OR SERIOUS INJURY - FOLLOW ALL OPERATORS INSTRUCTIONS



- Read operator's manual.
- Do not operate within 100 ft. of children, bystanders, or animals.



- Go up and down slopes, not across.
- Avoid steep slopes greater than 15° and wet slopes.
- If mower stops while going uphill, stop blades, look behind you, and back down slowly.



- Never carry children or anyone even when the blades are off.



- Do not operate mower where it could slip or tip.
- Avoid sudden turns.

- Mower can be operated in reverse and turned around with blades engaged.

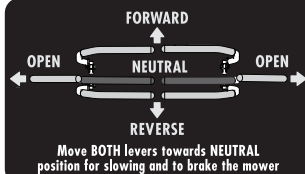


- Stay at least two mowing widths (7 feet) away from any ditches, drop-offs, or water. Front caster wheels can rotate when mower is stopped, even with brake applied, and cause mower to go over the edge or into the water.

- Always look down and behind you before and when maneuvering in reverse or turning around.
- Mowing in reverse is not recommended.

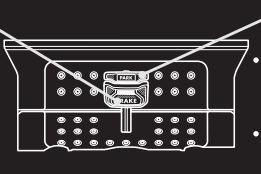
Etiquetar a español provisto. Llame a 1-800-860-4050 para su sustitución.

6



### BRAKE PEDAL

- Push pedal to ENGAGE BRAKE
- The BRAKE PEDAL is used for slowing and stopping the mower in an emergency situation or parking. ALWAYS use the control levers to slow the unit.



### PARKING BRAKE

- PARKING BRAKE ON**
  - Push foot over top of BRAKE pedal and down to engage PARKING BRAKE (PB)
- PARKING BRAKE OFF**
  - Press BRAKE PEDAL to disengage PARKING BRAKE function

**NOTE:** Your mower labels may feature additional translations, or separate translated versions of the labels may be included. Translated labels can be installed over the labels currently on the mower. For best adhesion, always clean and dry mounting surface before installing.

# FEATURES

## PRODUCT SPECIFICATIONS

Hardware/Software Versions:

Deck Motor .....PM177-07B, PM177-08B/GXDH0116  
 Drive Motor .....YPK1002.01, YPK1002.02/  
 ZTR20181130V1.6

Motor ..... 48 Volt DC

Height Adjustments .....1-1/2 in. to 4-1/2 in.

Wheel Size ..... 13 in. front, 18 in. rear

Deck Size .....42 in.

Turning Radius.....0

Max. Speed: Forward..... 7 MPH

Mow (blades engaged) and  
 Low Speed Drive ..... 5 MPH

Reverse..... 4 MPH

Cold Tire Pressure ..... 19 PSI Front, 18 PSI Rear

Charger Input..... 120 V, AC only, 60 Hz

Charge Rate .....Overnight

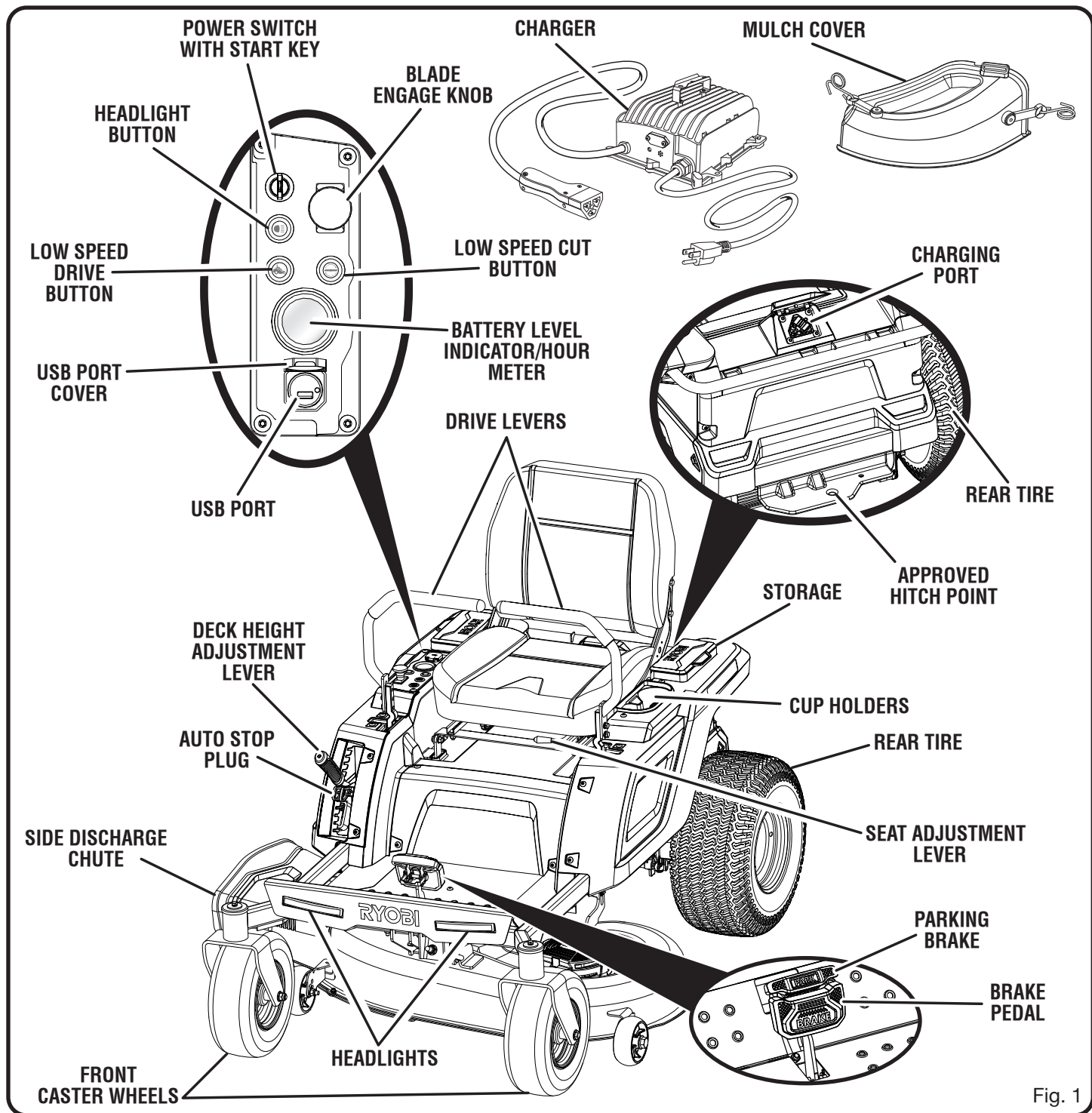


Fig. 1

# FEATURES

## KNOW YOUR LAWN MOWER

See Figure 1.

The safe use of this product requires an understanding of the information on the product and in this operator's manual as well as a knowledge of the project you are attempting. Before use of this product, familiarize yourself with all operating features and safety rules.

## BATTERY LEVEL INDICATOR/HOUR METER

The battery level indicator shows the amount of battery charge remaining. The hour meter tracks the total number of hours the mower has been used (key in on position) for maintenance purposes.

## BLADE ENGAGE KNOB

Pull the blade engage knob up to activate the mower's cutting blades. Push the knob down to stop the cutting blades.

## BRAKE PEDAL

The brake pedal is used for stopping the mower in an emergency situation or when parking.

## CHARGER

The mower's charger has a key hole hanging feature for convenient, space saving storage. When hanging by the keyhole slots, use at least one additional screw in the hole in the mounting flange to secure in place. Always mount in such a way that the charger's LED status light is visible while charging.

## DRIVE LEVERS

The drive levers are used to direct the mower, and for starting and stopping during normal operation.

## DECK HEIGHT ADJUSTMENT LEVER

The deck height adjustment lever is used to raise or lower the cutting deck. Set the auto stop plug at your normally desired cutting height for ease of use when mowing.

## HEADLIGHT BUTTON

Turn the headlights on and off using the headlight button.

## LOW SPEED CUT BUTTON

Press the low speed cut button to prolong battery run time when the cutting load requirement is low.

## LOW SPEED DRIVE BUTTON

Press the low speed drive button to limit the speed of the mower when you're operating in tight spaces or on slopes. This setting is also useful for inexperienced users when they are first learning to operate the mower.

## MEDIA STORAGE

Two storage areas offer a convenient place to store your cell phone or MP3 player.

## MULCH COVER

Your mower is equipped with a mulch cover that covers the side discharge opening, which allows the mower blade to cut and recut for finer clippings.

## PARKING BRAKE

Use the parking brake to lock the mower in the braked position.

## POWER SWITCH WITH START KEY

The power switch is used to turn the mower on and off. The start key must be inserted before the switch can be operated. When the key is in the accessory position, the power switch is also used to power optional manufacturer-approved mower accessories.

## SEAT ADJUSTMENT LEVER

Use the seat adjustment lever to move the seat to the desired position.

## USB PORT

The USB charging port provides charging power of 5 Volts DC at up to 2 amps for your cell phone, MP3 player, or other USB devices. Consult the owner's manual for your device for specific charging requirements.

Connect one end of a USB cable (not provided) to your device and the other end to the USB charging port on the mower, to begin charging your device.

### **NOTICE:**

Attempting to charge devices rated more than 2 amps could damage the USB charging port and/or the mower. Always close the USB cover when not in use to prevent debris from becoming trapped in port.

**NOTE:** The USB port is only powered when the start key is in the ON position.



### **WARNING:**

Never use headphones or any electronic device, such as a smart phone or tablet, while operating the mower. Distracted operation can result in an accident that could result in death or serious personal injury to the operator or a bystander.

# OPERATION

## **WARNING:**

Do not allow familiarity with products to make you careless. Remember that a careless fraction of a second is sufficient to inflict serious injury.

## **WARNING:**

Always wear eye protection with side shields marked to comply with ANSI Z87.1. Failure to do so could result in objects being thrown into your eyes resulting in possible serious injury.

## **WARNING:**

Always turn off mower, make sure blades have stopped moving, and remove the start key from the mower when you are assembling parts, making adjustments, cleaning, or when not in use. This will prevent accidental starting that could cause serious personal injury.

## **WARNING:**

Always inspect mower for missing or damaged parts and blades for damage or uneven or excessive wear prior to use. Use of the mower with damaged or missing parts can result in serious personal injury.

## **NOTICE:**

Before each use, inspect the entire product for damaged, missing, or loose parts such as screws, nuts, bolts, caps, etc. Tighten securely all fasteners and caps and do not operate this product until all missing or damaged parts are replaced. Please contact customer service or an authorized service center for assistance.

## APPLICATIONS

You may use this product for the purpose listed below:

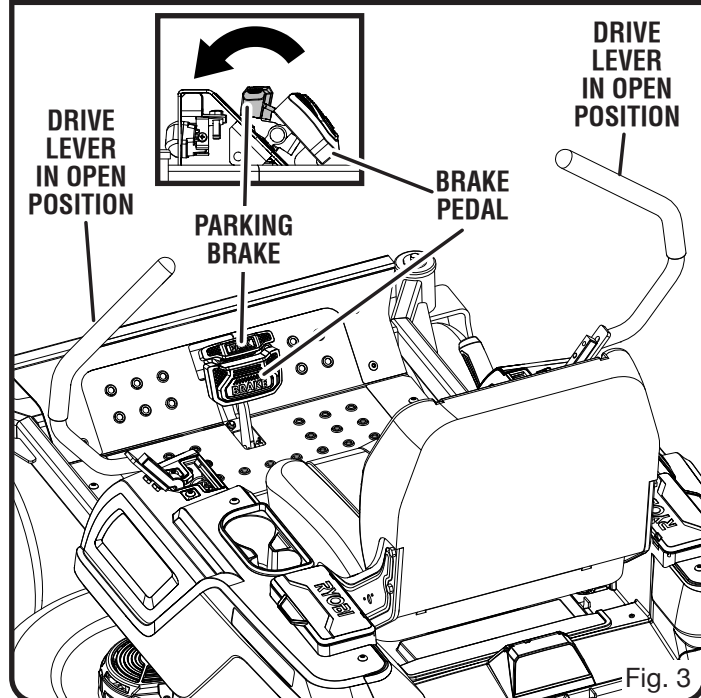
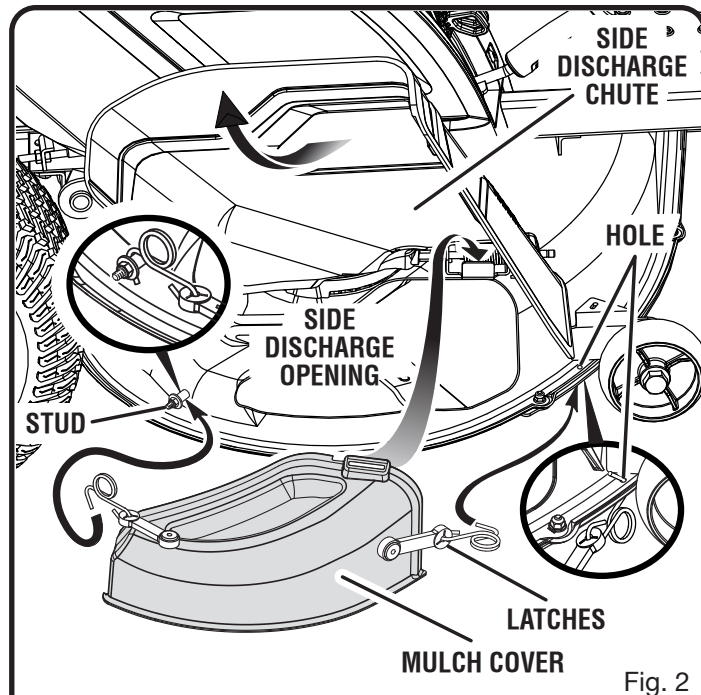
- Mowing your lawn

## INSTALLING MULCH COVER

See Figure 2.

The mower is configured for side discharge when shipped. If mulching is desired:

- Lift the side discharge chute.
- Place the mulch cover on the tab on the mower housing.
- Connect the mulch cover latches to the two side mounting points on the mower deck housing.
- Release the side discharge chute.



## **WARNING:**

Make sure the side discharge chute fully closes when finished. Failure to do so could cause serious personal injury.

## SETTING THE PARKING BRAKE

See Figure 3.

To set the parking brake:

- Place the drive levers in the open position.
- Fully depress and hold the brake pedal.

# OPERATION

- Press your foot forward and fully depress the parking brake with your toes.
- Release the brake pedal.
- **To release the parking brake:** depress and release the brake pedal.

## **⚠ WARNING:**

Never leave the mower unattended when the motor is running or with the key in the power switch. Verify that the parking brake is set and the key has been removed. Failure to set the parking brake could cause the mower to move, and leaving the key could allow unauthorized use that could result in serious personal injury.

## ADJUSTING THE SEAT

See Figure 4.

Adjust the seat position to ensure you are able to make firm contact with the brake pedal before operating the mower.

### To move the seat:

- Turn key to OFF position and set the parking brake.
- Sit down on seat and lift the seat adjustment lever.
- While holding the lever, slide the seat to the desired position.
- Release the lever and make sure the seat is locked in position before operating the mower.

## **⚠ WARNING:**

Be sure the seat is locked into place before operating the mower. A seat that is not secure can cause the operator to shift and lose control of the mower and result in possible death or serious personal injury.

## SETTING THE CUTTING DECK HEIGHT

See Figure 5.

Before using the mower, raise the deck height to the cutting position best suited for your lawn.

**NOTE:** To prevent scalping the lawn when encountering high spots, the cutting deck wheels should be positioned approximately 1/2 in. off the ground when the mower is at the desired cutting height. When shipped, the cutting deck wheels are set to the 1.5 in. position. Depending on your desired cutting height, you may need to change the position of the cutting deck wheels. To do so, refer to **Adjusting Cutting Deck Wheels** in the *Maintenance* section of this manual.

### To adjust the cutting deck height:

- Stop the mower and disengage blades.
- Turn key to OFF position and set the parking brake.
- To raise the cutting deck, grasp the deck height adjustment lever, push left to disengage from slot, move toward the back of the mower, then push right into slot to secure.

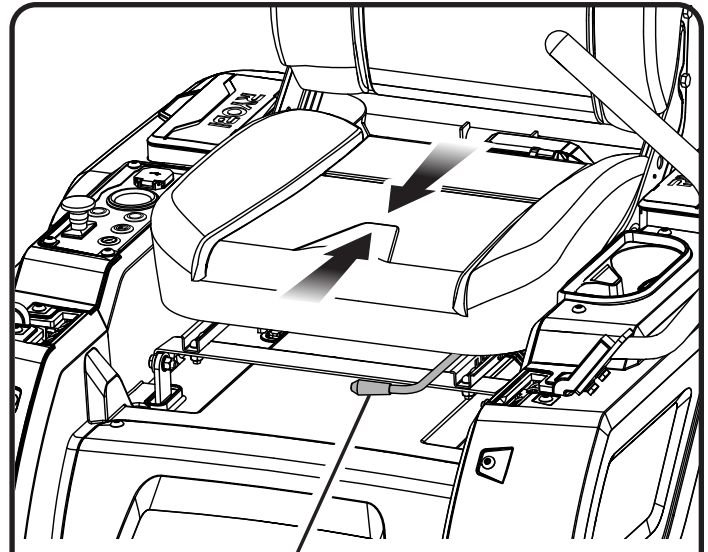


Fig. 4

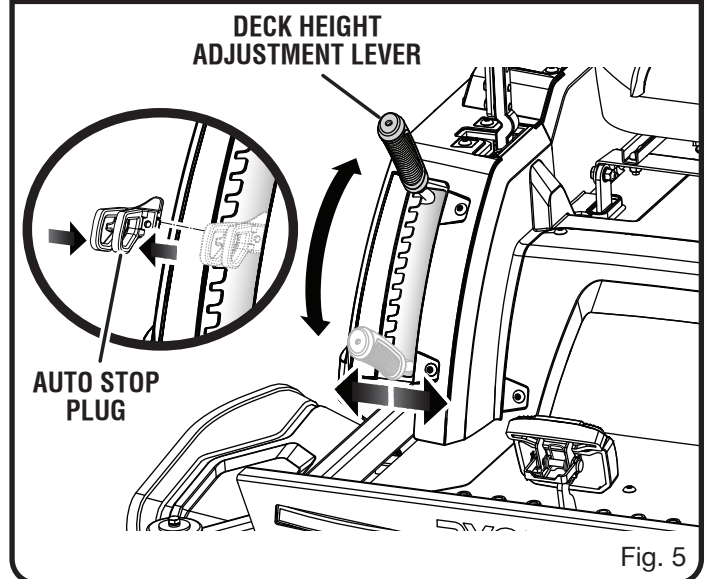


Fig. 5

- To lower the cutting deck, grasp the deck height adjustment lever, push left to disengage from slot, move toward the front of the mower, then push right into slot to secure.

## **⚠ CAUTION:**

Hold the deck height adjustment lever firmly when setting the deck height and only release when it is secure in the desired slot. Quickly letting go of the lever may create a pinching or pulling hazard to the operator's hand.

**NOTE:** Once you have determined the correct cutting height for your lawn, install the auto stop plug just below that position to easily return to the correct mowing height every time.

# OPERATION

## CHARGING THE MOWER

See Figures 6 - 7.

### **⚠ WARNING:**

Only charge mower batteries indoors in a dry location. Do not charge battery or expose mower to rain or damp locations. Water and liquids can come in contact with mower components and the battery and damage connections and electronic components, which can result in a short circuit, increased risk of fire, and serious personal injury.

Mower batteries must be charged overnight before first use. To verify mower batteries are fully charged, check the battery level indicator.

### **For best results:**

- Do not charge in an area of extreme heat or cold.
- Never charge a frozen battery.
- Mount or place the charger in an area with adequate ventilation, ideally with the charger in a horizontal position with the cooling fins facing up.

### **To charge:**

- Make sure both the charger and mower connections are clean and free of dirt or debris.
- Insert charger plug into charging port on mower, making sure it is properly connected.
- Connect charger to power supply using normal household current of 120 V, AC only, 60 Hz. The batteries should automatically begin to charge.

**NOTE:** The charger is equipped with a plug featuring a grounding pin and must be plugged into a matching standard three-prong outlet that has been properly installed and grounded in accordance with all local codes and ordinances. Do not use a two-prong outlet, adaptors, or modify the plug provided. If it will not fit the outlet, have the proper outlet installed by a qualified electrician.

- When powered and connected to the mower, the LED indicator on the charger will illuminate to indicate the

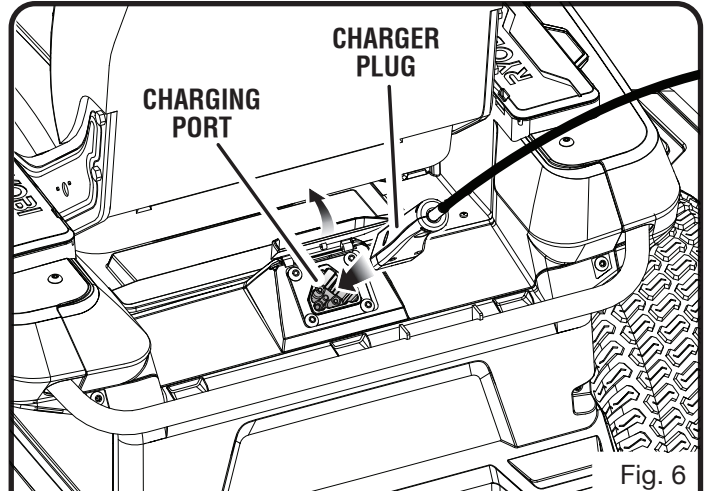


Fig. 6

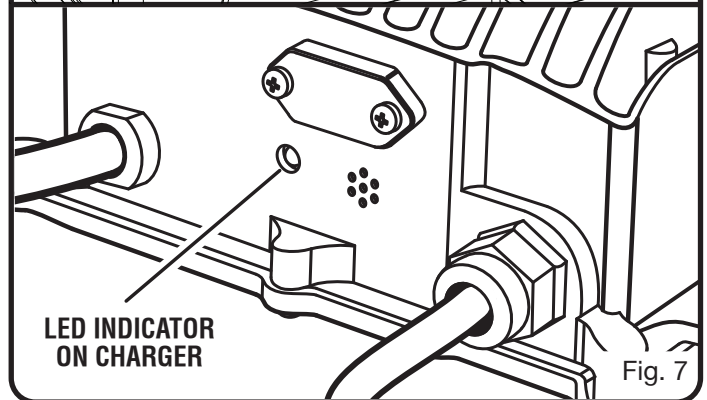


Fig. 7

charger's status. See the chart that follows to determine the meaning of the LED's display.

- When you are ready to mow, disconnect the charger from the power supply, then disconnect the charger from the mower.

### **NOTICE:**

Always turn power switch to OFF position and remove key when charging mower and when mower is not in use.

LED INDICATOR	BATTERY/CHARGER STATUS
Short green flash	Batteries are less than 80% charged.
Long green flash	Batteries are more than 80% charged.
Solid green	Batteries are fully charged.
The following LED codes indicate an error condition of the charger. For details on how to clear the error, refer to the steps in the <i>Troubleshooting</i> section at the end of this manual.	
Red light turns on briefly then goes out	Check for valid AC voltage to charger.
One red flash	Charge Enable Fault
Two red flashes	Battery Voltage Fault
Three red flashes	Battery Charge Timeout: Charge Time Exceeded
Four red flashes	Battery Fault: Charge Time Exceeded
Five red flashes	Temperature Delay
Six red flashes	Charger Fault

# OPERATION

## NOTICE:

Always connect the mower to the charger when the unit is not in use. If it is not possible to leave the mower charger connected, make sure to charge the batteries fully at least once a month.

## SAFETY INTERLOCK SYSTEM

See Figure 9.

This mower features a Safety Interlock System to protect the operator by shutting off the blades if the operator leaves the seat with the blades running. Test the system before each use to be sure it is working correctly.

### To test:

- Position the mower on a level surface.
- Set the parking brake.
- Make sure drive levers are in the neutral position and the blade engage knob is down.
- Install start key and turn to ON position.
- Raise blade engage knob to activate blades.
- Briefly lift off the seat, but do not get off the mower.

The blades should shut off within 5 seconds. If they don't, contact customer service. Do not operate the mower until the safety interlock system has been repaired.

## LEARNING TO DRIVE THE MOWER

See Figures 10 - 12.

Operating a zero turn mower is different than operating a standard riding mower. Zero turn mowers are rear-wheel drive and the wheels operate independently based on the position of the drive levers. Before you begin to mow your grass, we strongly encourage you to find a large, level, and open area to practice operating the mower using the instructions that follow. Once you can comfortably and reliably perform each of these maneuvers, you are ready to begin mowing.

## WARNING:

Clear the area of bystanders before operating the mower. If anyone enters the practice area, stop immediately and do not continue practicing until the bystanders leave the area.

## WARNING:

Avoid sudden starts, stops, and turns, as well as excessive speed, especially when first learning to operate the mower. The mower can spin rapidly, which may cause you to lose control and could result in death, serious personal injury and/or damage to the mower. Engage the low speed drive function to limit the amount of speed available until you are fully capable of operating the mower in all situations.

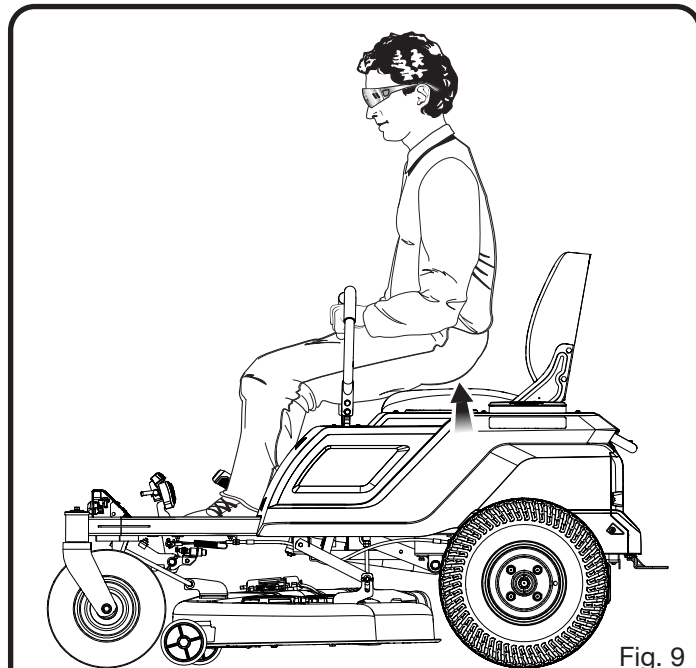


Fig. 9

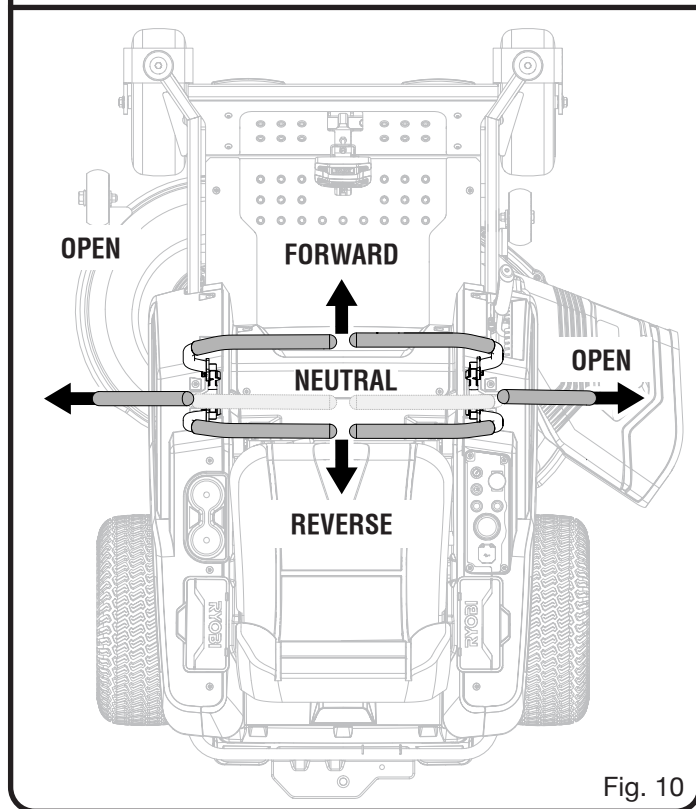


Fig. 10



# OPERATION

The two drive levers are used to control the mower's direction, as well as starting and stopping.

## **⚠ WARNING:**

Keep both hands on the drive levers at all times when the mower is in motion. Do not release the drive levers to slow or stop the mower. Releasing the drive levers while the mower is in motion could lead to loss of control and result in death, serious personal injury, and/or damage to the mower.

## **NOTICE:**

When the word “together” is used in the instructions that follow, it means that both the left and right drive levers should be even or aligned in whatever position is being described. If one of the levers is in a different position, a different outcome will result other than the one being described.

- When entering and exiting the mower seat, both drive levers should be in the **open** position (pushed away from the seat in both directions).
- Once you are seated and ready to begin, press and release the brake pedal to make sure the parking brake is released.
- Insert the start key and turn to the ON position.
- Pull both levers all the way in toward the seat. This is the **neutral** position, which is used for starting the mower and also to bring the mower to a gradual stop.
- Press the low speed drive button to activate.
- Push both drive levers forward (past neutral) together to drive the mower **forward** in a straight line. The farther forward the levers are pushed, the faster the mower will go. To slow down, pull both levers together back toward the neutral position.
- Pull both drive levers backward (before neutral) together to drive the mower in **reverse** in a straight line. The farther back the drive levers are pulled, the faster the mower will go. To slow down, push both levers together back toward the neutral position.
- To make turns, the drive levers will no longer be moved together. One drive lever will be forward or behind the other, depending on the direction being traveled (forward or reverse) and the desired turn direction. If driving forward, the drive lever in the rear position will control the direction of the turn. If driving in reverse, the lever in the front position will control the direction of the turn.

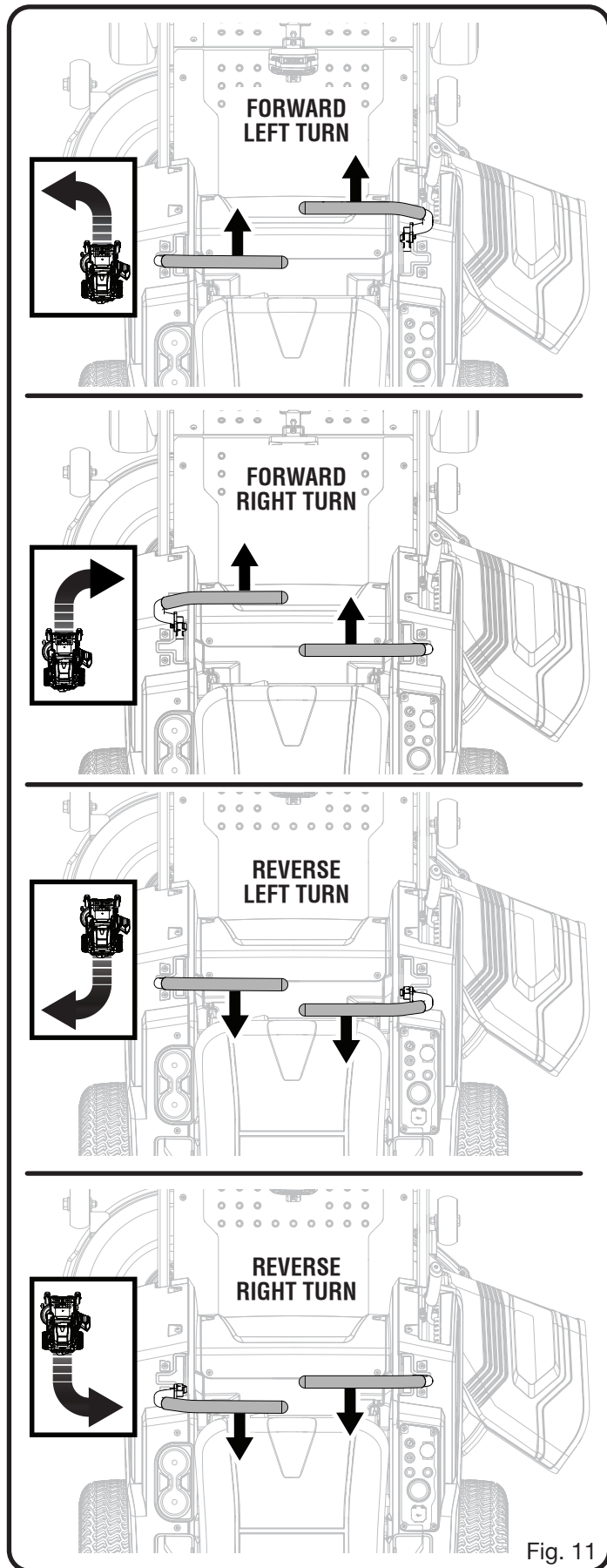


Fig. 11

# OPERATION

- To make a zero turn, slow down, but make sure the rear wheels are still in motion. Then move the drive levers in opposite directions one past neutral and one before neutral. Which lever is in which position determines the direction of the turn.

**NOTE:** Perform zero turns at slow speed to help prevent damage to your lawn.

## OPERATING THE MOWER

See Figures 9 - 14.

### **⚠ WARNING:**

Clear the area of bystanders before operating the mower. If anyone enters the mowing area, stop immediately and do not return to mowing until the bystanders leave the area.

### Before starting the mower:

- Ensure work area is clear of children, bystanders, and pets.
- Clear the work area of objects that may be thrown by the mower blades.
- Check brake operation.
- Check tire pressure.
- Check for loose fasteners.
- Check to make sure all guards are in place and working properly.
- Clean debris from mower.
- Test safety interlock system.
- Adjust seat to desired position.
- Verify battery charge level.

### **NOTICE:**

When the level of battery charge reaches the red zone on the battery charge indicator, the blades will automatically shut off. Return immediately to recharge. Continuing to mow when the battery charge level is in the red zone can cause the mower to become stranded away from the charging area.

**NOTE:** If the mower becomes stranded away from the charger, it will be necessary to place the drive levers in neutral and push the mower back to the charging location.

### Mowing:

- Raise the mower deck to its highest position.
- Make sure the drive levers are in the open position.
- Insert start key and turn to ON position.
- Release the parking brake.
- Move drive levers to neutral position, then drive to desired mowing location.

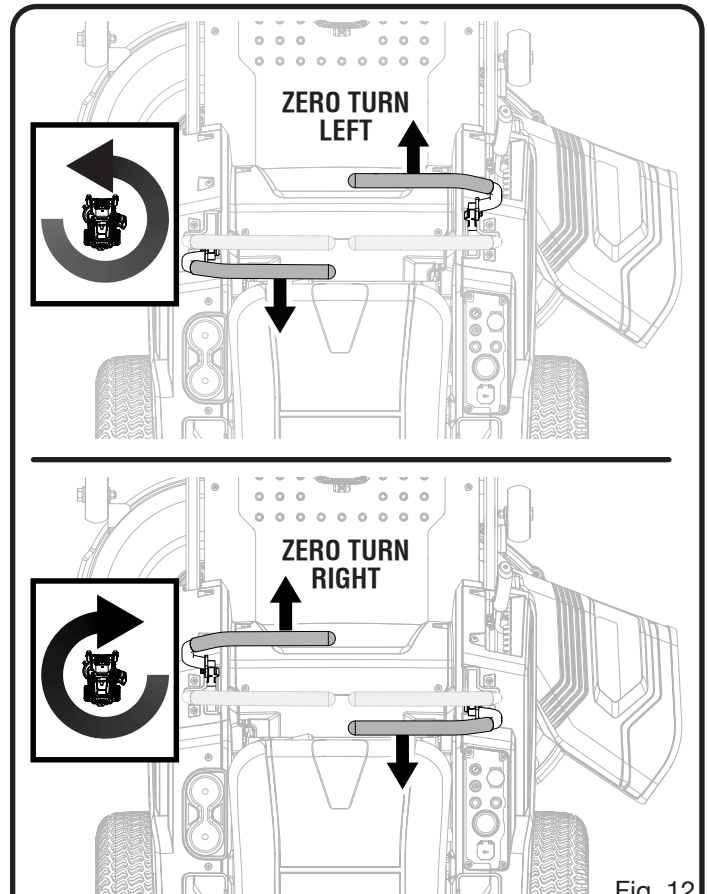


Fig. 12

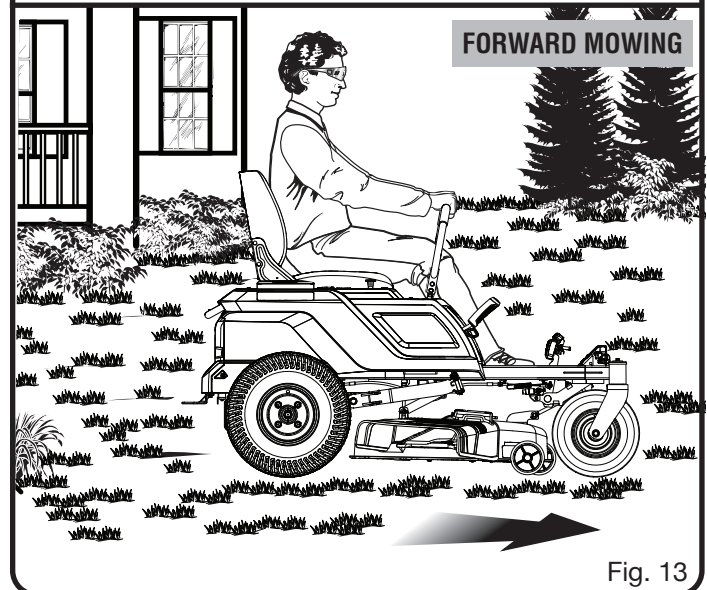


Fig. 13

# OPERATION

- Stop the mower, turn key to OFF position, and set the parking brake.
- Lower the cutting deck to desired position.
- Turn start key to ON position and release parking brake.
- Raise blade engage knob to activate blades and mow as desired.

## **⚠ DANGER:**

Stay at least two mowing widths (7 feet) away from any ditches, drop-offs, or water. Front caster wheels can rotate when mower is stopped, even with the brake applied, and cause the mower to go over the edge or into the water and result in death or serious personal injury.



## **⚠ WARNING:**

Use caution when crossing over gravel paths or driveways. Before crossing, disengage the blades and raise the cutting deck to the highest position to minimize the possibility of ricochet. Drive slowly to avoid loss of traction and control.

## **⚠ WARNING:**

Do not mow in reverse unless absolutely necessary. Always look down and behind before and while backing to make sure no children, bystanders, or pets enter the mowing area. Remember that a careless fraction of a second is sufficient to inflict death or serious injury.

## **⚠ WARNING:**

Be especially careful before and when backing and turning around with the bagger kit installed, as it may limit visibility. Always look closely behind and down for small children, bystanders, and pets and move the mower slowly to prevent back over accidents that can cause death or serious personal injury.

## **⚠ WARNING:**

Do not attempt to change direction suddenly between forward and reverse while the mower is in motion. Always come to a complete stop before changing the mower direction to avoid loss of control and prevent death or serious personal injury.

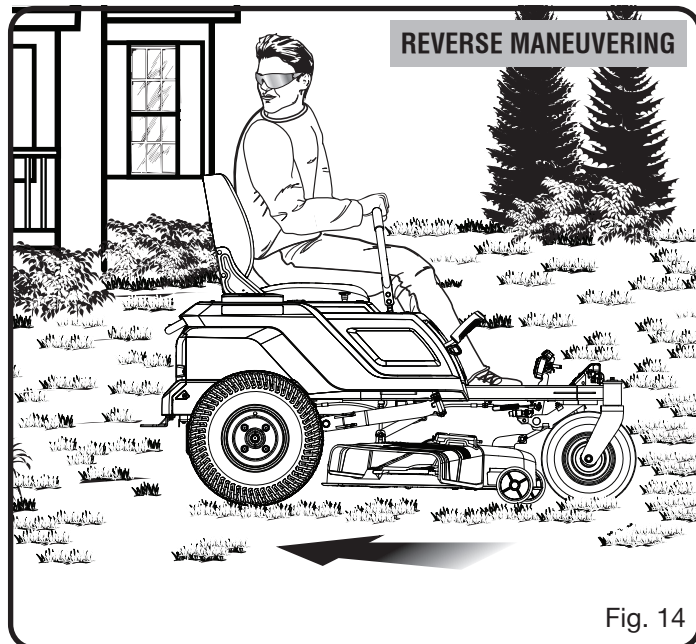


Fig. 14

## **When mowing is complete:**

- Stop mower on a flat, level surface by pulling the drive levers together to the neutral position. Do not stop the mower on a slope.
- Push the blade engage knob down to turn blades off.
- Place the drive levers in the open position.
- Set the parking brake.
- Turn the start key OFF.
- Remove the start key if leaving the mower unattended, even if just for a brief period.

## **⚠ WARNING:**

If the mower emits a beeping noise after you leave the seat, verify that the parking brake is set and the key has been removed. Failure to set the parking brake could cause the mower to move, and leaving the key could allow unauthorized use that could result in serious personal injury.

# OPERATION

## MOWING TIPS

See Figure 15.

- Keep mower blades sharp.
- Make sure the lawn is clear of stones, sticks, wires, toys, tree nuts, tree branches, and other objects that could damage the lawn mower blades or motor. Do not mow over property stakes or other metal posts. Such objects could damage the blade or be accidentally thrown by the mower in any direction and cause serious personal injury to the operator and others.
- For a healthy lawn, always cut off one-third or less of the total length of the grass.
- When mowing large areas, start by turning to the right so that clippings will discharge away from shrubs, fences, driveways, etc. After one or two rounds, mow back and forth across the lawn, turning around in the edges of already mowed grass.

### NOTICE:

To prevent damage to your lawn, use a slow speed while turning rather than spinning in a tight circle.

- When cutting heavy grass, reduce speed to allow for more effective cutting and a proper discharge of the clippings.
- Do not cut wet grass. Mowing on wet surfaces can cause loss of control, and wet grass will stick to the underside of the deck and prevent proper bagging or mulching of grass clippings.
- New or thick grass may require a narrower cut or a higher cutting height.
- Keep the mower deck and side discharge chute clean. Remove grass clippings, leaves, dirt, and any other accumulated debris before and after each use. Do not spray with a garden hose to clean.

**NOTE:** Always stop mower, allow blades to completely stop, and remove the start key before cleaning underneath the mower.

## SLOPE OPERATION

See Figure 16.

### DANGER:

Slopes are a major factor related to tip-over and roll-over accidents that result in death or severe injury. Operation on slopes requires extra caution. If you feel uneasy on a slope, do not mow it. For your safety, do not attempt to mow steep slopes greater than 15 degrees. Do not operate in reverse down a slope, unless the mower stops while going uphill. In that situation, stop the blades, look behind you, and back up slowly. Make a copy or cut out the slope guide image later in this manual and use to determine if your slope is too steep for safe operation.

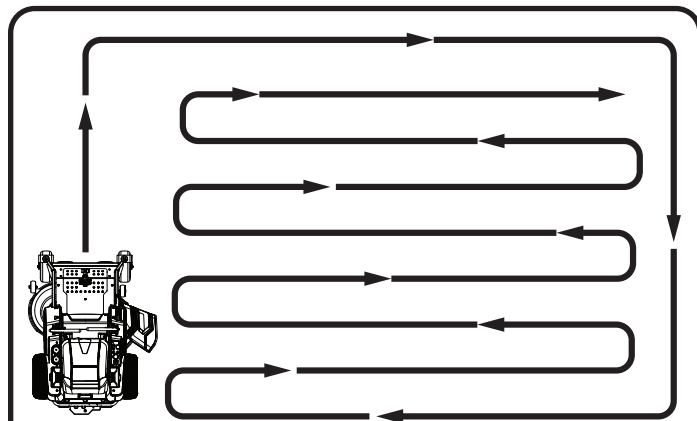


Fig. 15

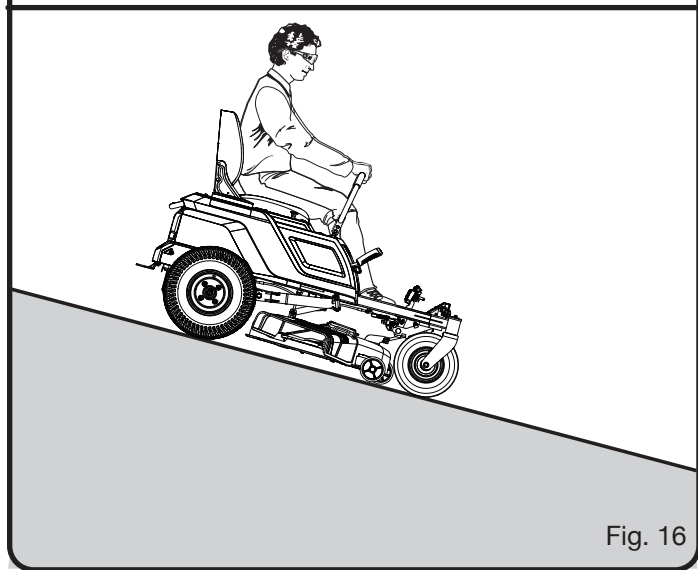


Fig. 16

- Mow up and down, not across the face of slopes.
- Do not mow on wet grass. Wet grass can cause the tires to lose traction or slip on slopes, even though the brakes are functioning properly.
- Watch for holes, ruts, rocks, hidden objects, or bumps which can cause you to slip or trip. Tall grass can hide obstacles. Remove all objects such as rocks, tree limbs, etc., which could be tripped over or thrown by the blade.
- Do not mow near drop-offs, ditches, or embankments.
- Drive slowly and do not make sudden changes in speed or direction.
- Avoid stopping on slope if at all possible. If stopping is unavoidable, make sure to engage parking brake. When restarting, use lowest possible speed. If turning is necessary, exercise extreme caution when changing direction and always turn downhill.
- Never attempt to stabilize the mower on a slope by placing your foot on the ground during operation.

# OPERATION

- If using the optional bagger kit, use extreme caution and operate the mower slowly when operating on slopes, as the bagging kit can change the stability of the mower.
- Always use the drive levers and brake when traveling down the slope. Do not attempt to let the mower coast downhill in neutral.
- If at any point the tires lose traction while operating on a slope, disengage the blades and proceed slowly and carefully straight down the slope.
- If the mower stops while going uphill, stop blades, look behind you, and back up slowly.

## TRANSPORTING THE MOWER

See Figure 17.

### **WARNING:**

Use extra care when loading or unloading the machine into a trailer. Press the low speed drive button and carefully move the drive levers as needed to control the speed. Always back onto the trailer when loading. When loading or unloading the mower, do not exceed the maximum recommended operation angle of 15°. Failure to follow these instructions can result in loss of control and result in death, serious personal injury, or property damage.

### **WARNING:**

Use care when loading or unloading the mower onto a trailer. Ensure the cutting deck is raised to the highest position so that it is not caught on the ramp. The wheels on the mower can go off the ramp or trailer, causing the mower to pivot or tip over, and result in a crush hazard that can cause death or serious personal injury.

- Park the mower on a level surface.
- Raise the cutting deck to the highest position.

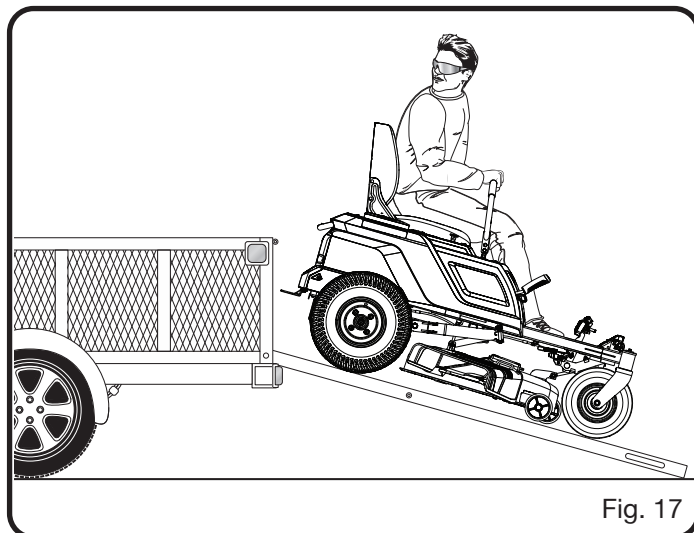


Fig. 17

- Position and secure ramp to the trailer according to manufacturer's instructions.  
**NOTE:** We recommend you use one full width loading ramp that is at least 1 ft. wider than the mower to minimize the risk of the mower's wheels going off the side of the ramp.
- Slowly back the mower onto the ramp and into the trailer.
- Lower mower deck completely.
- Set the parking brake.
- Turn off mower and remove key.
- Secure the mower as needed using straps or cables to prevent movement during transport.

### **WARNING:**

To avoid accidental starting or movement that could result in serious personal injury, always remove the start key and set the parking brake when transporting the mower.

# MAINTENANCE

## **⚠ WARNING:**

Before performing any maintenance, stop the mower on a level surface, wait for the blades to come to a complete stop, set the parking brake, and remove the start key to avoid accidental starting and possible serious personal injury.

## **⚠ WARNING:**

Always wear eye protection with side shields marked to comply with ANSI Z87.1. Failure to do so could result in objects being thrown into your eyes resulting in possible serious injury.

## **⚠ WARNING:**

When servicing, use only authorized replacement parts. Use of any other parts can create a hazard or cause product damage.

## **⚠ WARNING:**

Strictly adhere to all torque wrench tightening specifications. Failure to do so could cause serious personal injury.

## **NOTICE:**

Periodically inspect the entire product for damaged, missing, or loose parts such as screws, nuts, bolts, caps, etc. Tighten securely all fasteners and caps and do not operate this product until all missing or damaged parts are replaced. Please contact customer service or an authorized service center for assistance.

## GENERAL MAINTENANCE

Avoid using solvents when cleaning plastic parts. Most plastics are susceptible to damage from various types of commercial solvents and may be damaged by their use. Use clean cloths to remove dirt, dust, oil, grease, etc.

## **⚠ WARNING:**

Do not at any time let brake fluids, gasoline, petroleum-based products, penetrating oils, etc., come in contact with plastic parts. Chemicals can damage, weaken, or destroy plastic which can result in serious personal injury.

Remove any build-up of grass and leaves on or around the motor cover. Wipe the mower clean with a dry cloth occasionally. Do not use water.

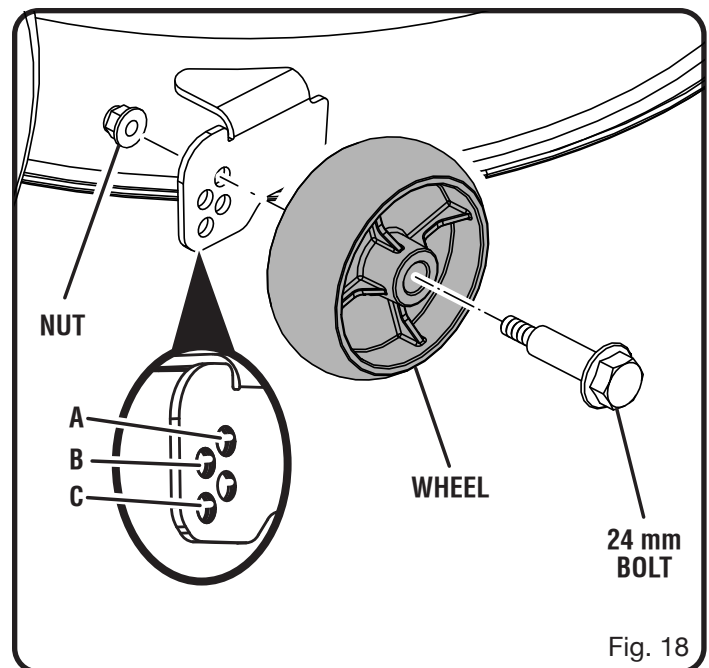
## ADJUSTING CUTTING DECK WHEELS

See Figure 18.

The cutting deck wheels should be positioned approximately 1/2 in. off the ground when the mower is at the desired cutting height. This will minimize the chance of scalping the lawn in most situations. When shipped, the wheels are positioned in Position A.

### To adjust the cutting deck wheels:

- Park the mower on a level surface and set the parking brake.
- Stop the motor and remove the start key. Allow blades to come to a complete stop.
- Raise the cutting deck to the desired height setting.
- Remove nut and bolt holding cutting deck wheel in place.
- Move wheel to desired position. Available hole positions are 1.5 in. (A), 1.75 in. (B) and 2.25 in. (C).
- Replace bolt and nut; tighten securely. Torque nut to 4-6 ft. lbs.
- Repeat with remaining cutting deck wheel, making sure both wheels are installed in the same position.



# MAINTENANCE

## REPLACING CUTTING BLADES

See Figures 19 - 20.

### **WARNING:**

Only use replacement blades and blade bolts authorized by the manufacturer of your riding mower. Unauthorized blades and/or blade bolts could break, allowing the blade to come loose, resulting in possible serious personal injury and damage to the mower.

**NOTE:** Make certain all parts are replaced in the exact order in which they were removed.

- Make sure drive levers are in open position and blade engage knob is down.
- Stop the motor, remove the start key, and set the parking brake.
- Raise the height of the cutting deck to its highest position to allow access to blades.

**NOTE:** If necessary, raise the mower by placing on a lift or using a jack and jack stands to gain access to the blades.

### **WARNING:**

If raising the mower to access the blades, make sure the mower is properly secured and the parking brake is set before proceeding. Failure to properly secure the mower could cause it to fall, resulting in death or possible serious personal injury.

- Wedge a block of wood between the blade and mower deck to prevent the blade from turning.
- Loosen the blade nut by turning it counterclockwise (as viewed from bottom of mower) using a 15 mm wrench or socket (not provided).
- Remove the blade nut, spring washer, and blade.
- Place the new blade on the shaft against the corresponding blade posts. Ensure blade is properly seated with shaft going through center blade hole and the two blade posts inserted into their respective holes on the blade. Make sure it is installed with the curved ends pointing up toward the mower deck and not down toward the ground. When seated properly, the straight sides should be aligned and the blade should be flat against the blade posts.
- Replace the spring washer, then thread the blade nut on the shaft and finger tighten.
- Torque the blade nut down clockwise using a torque wrench (not provided) to ensure the bolt is properly tightened. The recommended torque for the blade nut is 600-650 in. lbs.

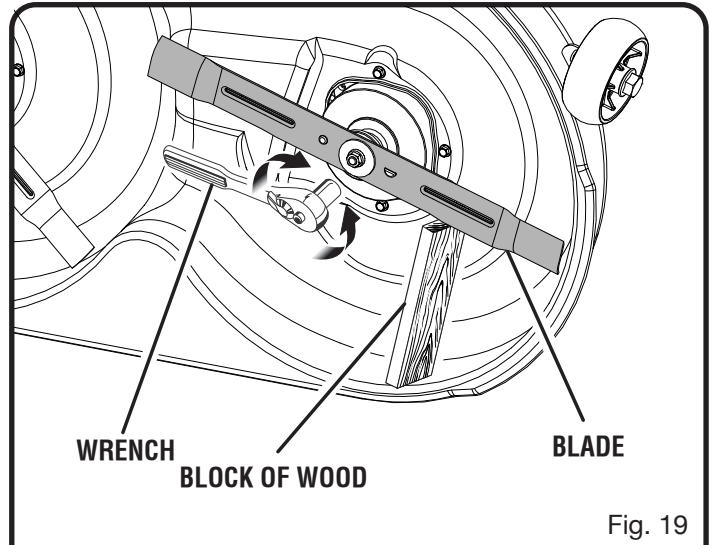


Fig. 19

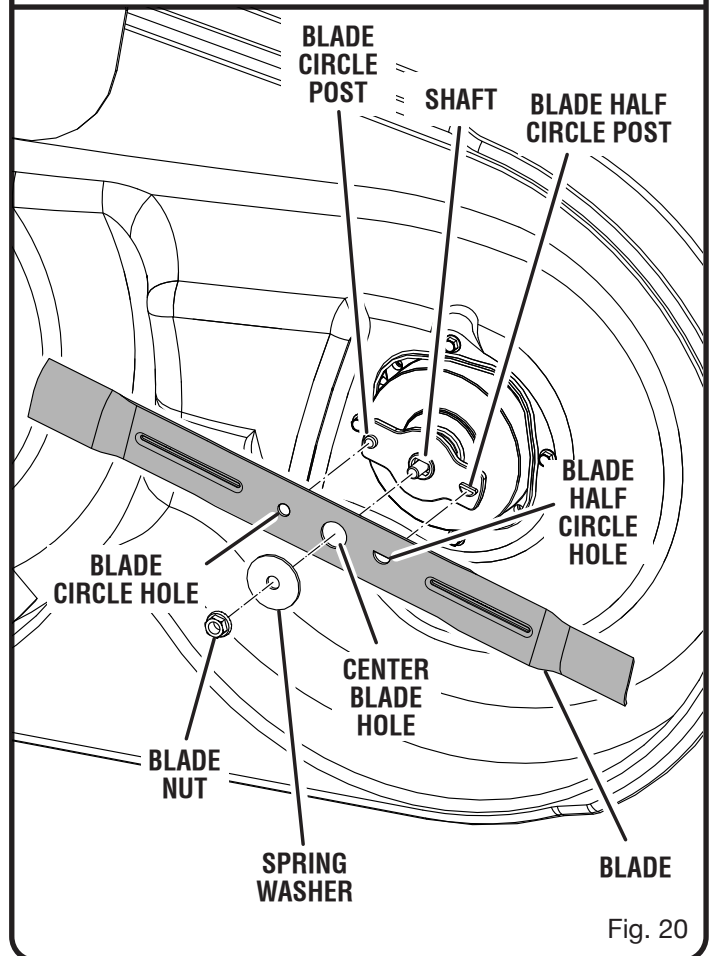


Fig. 20

### **WARNING:**

Ensure blade is properly seated and the blade nut is tightened to the torque specifications above. Failure to properly attach the blade could cause it to come loose and result in possible serious personal injury.

- Repeat with second blade, if needed.

# MAINTENANCE

## TIRE MAINTENANCE

This mower is equipped with tubeless tires of the size and type listed below:

	Front	Rear
Size	13x5x6	18x8.5x8

### Tire Air Pressure

Check the air pressure in all tires before use. Improper air pressure will affect handling, steering response, traction, tire life, level cutting, and operator comfort. Be sure tires are inflated to the pressure shown below.

**NOTE: Tire pressure should only be measured or adjusted when tires are cold.**

Recommended Pressure	Front	Rear
	19 PSI	18 PSI

### WARNING:

Check the tire pressure carefully while inflating. Too much air in the tire could cause the tire to burst, causing serious personal injury.

### WARNING:

Maintaining correct air pressure in the tires is very important. Too little pressure could allow the tire to rotate off the wheel rim. Too much pressure could cause the tire to burst. Failure to maintain correct air pressure in the tires could cause problems with mower operation and stability, causing death or serious personal injury.

## TIRE REPAIR

If a leak or flat tire occurs due to a puncture, the tire may be repaired using a plug-type patch. If the damage is from a cut, or if the puncture cannot be repaired using a plug, the tire should be replaced.

## REPLACING TIRES

When tires are worn, the traction of the mower will be decreased, which increases the chance of having an accident. Tires should be replaced when the depth on the tread is 0.16 in. (4 mm) or less, or any time there is damage to the tire. Always use identical replacement tires. Using improper tires on the mower could cause loss of control, which could cause serious personal injury.

Have tires replaced by an authorized service center or a qualified tire repair station.

## ADJUSTING THE BRAKES

See Figure 21.

### DANGER:

Ensure the brakes are properly functioning at all times and prior to each use. Improper brake function can cause loss of control in an emergency situation and result in death or serious personal injury.

Being able to stop the mower properly is critical to mowing safety. If you've noticed your mower traveling farther before stopping when you depress the brake pedal, the brakes may need adjusting.

### To test:

- Park the mower on a level surface and set the parking brake.
- Place the drive levers in the open position.
- Stand behind the mower and try to push it forward. If the rear tires turn, the brakes need to be tightened.

### To tighten:

- Locate the brake adjustment nuts along the frame in front of each of the rear wheels.
- Turn each adjustment nut 1/4 turn clockwise, then try again to push the mower.
- Continue rotating each nut 1/4 turn and testing until the mower can no longer be moved by pushing.

After final adjustment, test the brakes by driving the mower at normal speed on flat ground to be sure the mower stops quickly when the brake pedal is depressed.

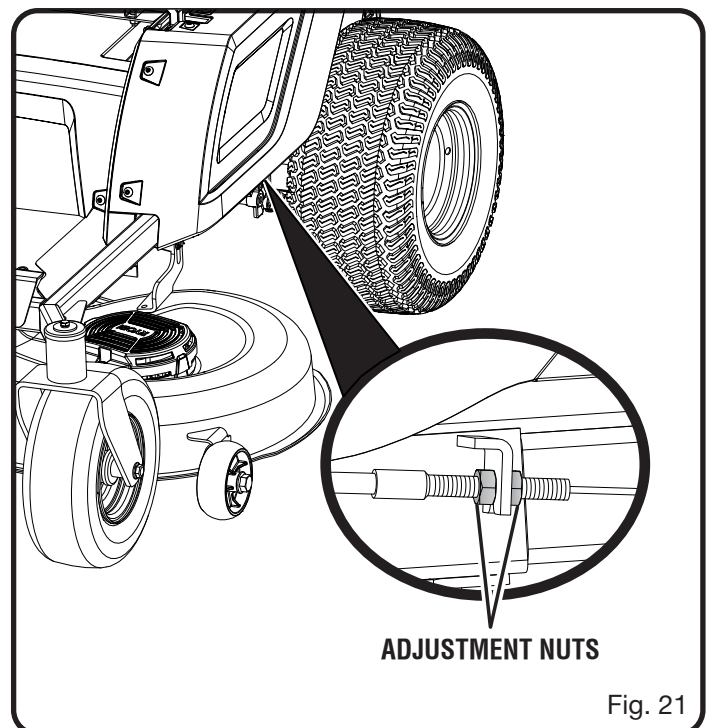


Fig. 21



# MAINTENANCE

## LEVELING THE CUTTING DECK

See Figures 22 - 23.

If your lawn appears unevenly cut after using the mower, the cutting deck may need adjusting. Before deciding that leveling the cutting deck is necessary, make sure tires are properly inflated to the recommended PSI when mowing. Over- or under-inflated tires can affect the appearance of the cut, and proper inflation of the tires may be all that is needed to resolve uneven cutting issues.

**NOTE:** Always check side-to-side alignment and adjust as needed before measuring and adjusting front to back.

### Before beginning:

- Make sure drive levers are in open position and blade engage knob is down.
- Stop the motor, allow the blades to come to a complete stop, remove the start key, and set the parking brake.
- Raise the height of the cutting deck to its highest position.

### To make side-to-side adjustment:

- Position the blades so that the ends point toward the sides of the mower.
- On the outside edge of each blade, measure the distance from the bottom edge of the side of the blade to the ground. If the distance between the two sides is greater than 1/8 in., a side-to-side adjustment is necessary.
- On the side you wish to adjust, loosen the jam nuts as shown.
- Turn the adjustment nuts clockwise to raise or counterclockwise to lower the side of the cutting deck. Each full turn of the adjustment nut will change the deck height approximately 3/16 in.

**NOTE:** If raising the side, you will need to turn the top adjustment nut first. If lowering, turn the bottom nut first.

- Measure again. Continue to adjust and measure until the difference between the distance on each side is 1/8 in. or less.
- Proceed to front-to-back adjustment or retighten jam nuts to secure.

### To make front-to-back adjustment:

**NOTE:** Always level the deck side to side before making a front to back adjustment.

- Position the blade nearest the side discharge chute so that the ends now point toward the front and back of the mower.
- Measure the distance from the tip of the blade to the ground. For best results, the front tip of the blade should be from 1/8 in. to 3/8 in. lower than the rear tip.

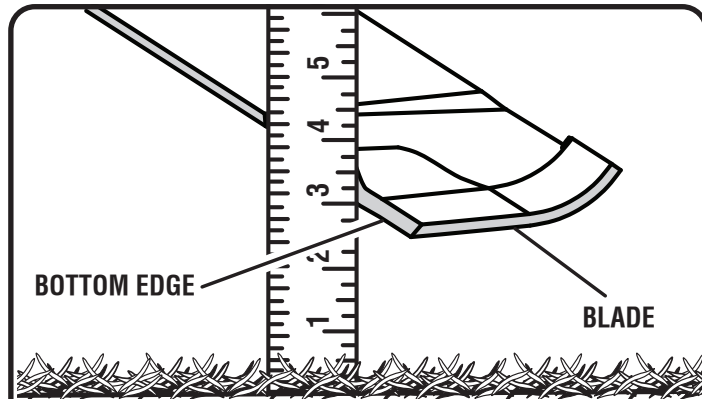


Fig. 22

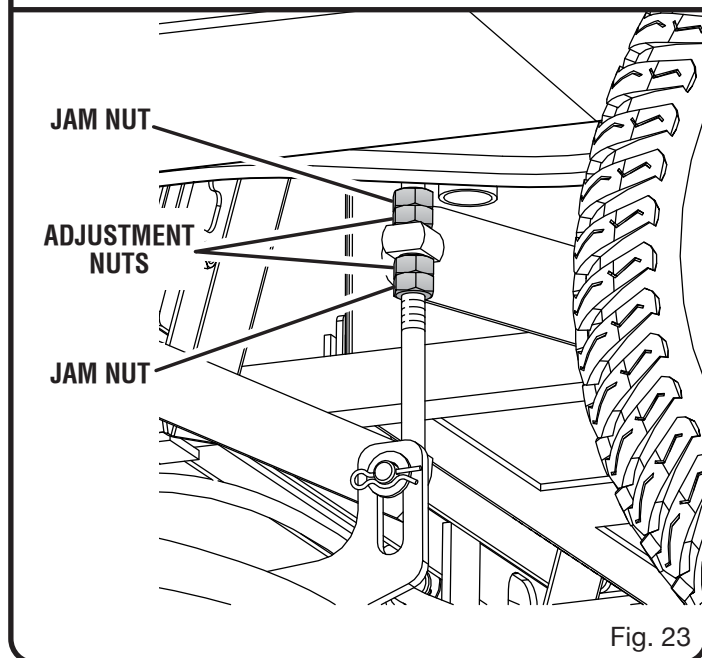


Fig. 23

- If front-to-back adjustment is needed, turn the adjustment nuts clockwise to raise or counterclockwise to lower the back of the cutting deck. Each full turn of the adjustment nut will change the deck height approximately 1/8 in.

**NOTE:** Make sure to turn the adjustment nuts on both sides equally to prevent throwing the side-to-side measurement off again.

- Measure again to verify the front tip is now 1/8 in. to 3/8 in. lower than the rear tip. If not, continue to adjust and measure until they are.
- Without moving the adjustment nuts, retighten the jam nuts to secure the adjustment nuts in place.

# MAINTENANCE

## REPLACING THE BATTERIES

See Figure 24 - 31.

**NOTE:** Only use RYOBI Electric Riding Lawn Mower 75Ah (LPC12-75) or 100Ah (LPC12-100) lead acid batteries.

This mower operates on four 12 volt batteries connected in a series. If replacing one or more of the batteries, always replace using a battery of the same type with equal voltage and capacity.

### **WARNING:**

Always wear eye protection with side shields marked to comply with ANSI Z87.1 and rubber gloves when replacing the batteries. Failure to do so could result in objects being thrown into your eyes or other serious personal injury.

Do not open or mutilate the batteries. Released electrolyte is corrosive and may cause damage to the eyes or skin. It may be toxic if swallowed.

Do not dispose of the batteries in a fire. The batteries could explode. Check with local codes for possible special disposal instructions.

Do not expose the battery to rain or keep in damp locations. Water and liquids can come in contact with the battery and damage connections and electronic components, which can result in a short circuit, increased risk of fire, and serious personal injury.

When batteries are not in use, keep away from other metal objects like paper clips, coins, keys, nails, screws, or other small metal objects that can make a connection from one terminal to another. Shorting the battery terminals together may cause burns or a fire.

Exercise care in handling batteries in order not to short the battery with conducting materials such as rings, bracelets, and keys. The battery or conductor may overheat and cause serious burns.

### **NOTICE:**

Use only identical lead acid batteries when replacing. Never mix different makes and sizes of batteries in the series. Doing so will eventually cause damage to the batteries and may also damage the mower.

- Park the mower on a level surface, stop the motor, remove the start key, and set the parking brake.
- Place the drive levers in the open position.
- Adjust the seat all the way backward, then raise the mower seat.
- Press the tabs on the wiring cover. Lift the cover to gain access to the compartment below.
- Disconnect the battery quick-connect plug. This plug connects the batteries to the mower.
- Remove and set aside the hex head bolt that secures the battery tray in place.

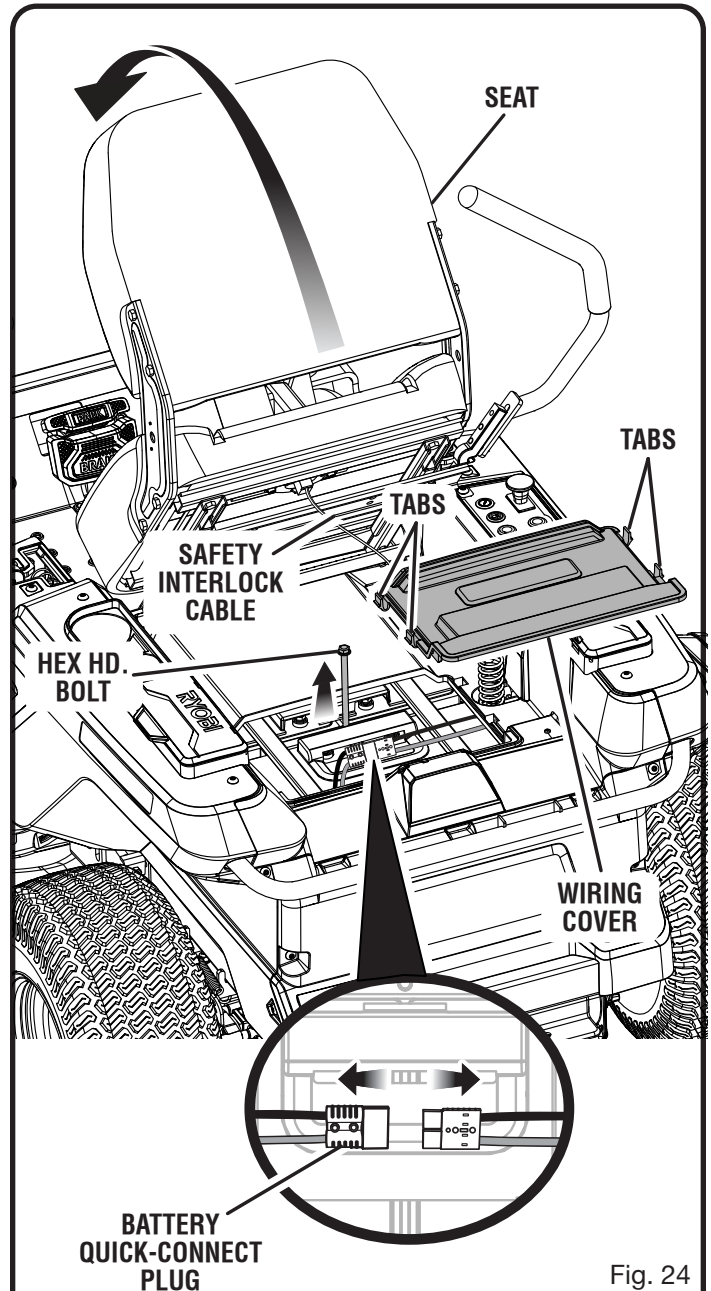


Fig. 24

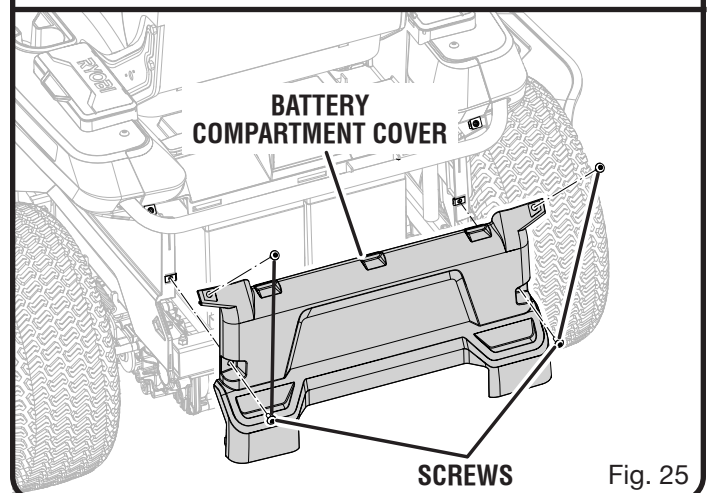


Fig. 25

# MAINTENANCE

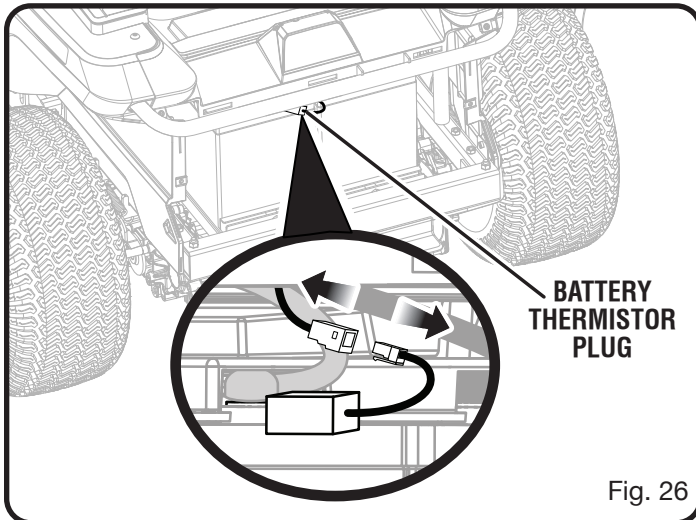


Fig. 26

- Remove the four Torx head screws that secure the battery compartment cover in place. Remove the cover and set aside.
- Disconnect the battery thermistor plug. This plug connects the batteries to the charging port.
- Remove and set aside the rear crossmember by removing the hex head bolts and nuts shown.
- Remove the spacers, flat washers, lock washers, and hex head bolts that secure the battery tray tabs.
- Fully extend the battery tray, resting the end outside the mower on a stable surface that will support a minimum 300 lb. weight.

## **WARNING:**

The battery tray is very heavy and may require two people to extend. We recommend the use of a hydraulic table-type cart (or similar device) to extend the tray. Failure to properly extend and support the battery tray could result in serious personal injury, as well as damage to the mower.

## **WARNING:**

Under extreme usage or temperature conditions, battery leakage may occur. If liquid comes in contact with your skin, wash immediately with soap and water. If liquid gets into your eyes, flush them with clean water for at least 10 minutes, then seek immediate medical attention. Following this rule will reduce the risk of serious personal injury.

- Remove and set aside the battery covers for the battery or batteries being replaced.

**NOTE:** You may need to slightly lift the securing bracket to be able to remove the cover(s).

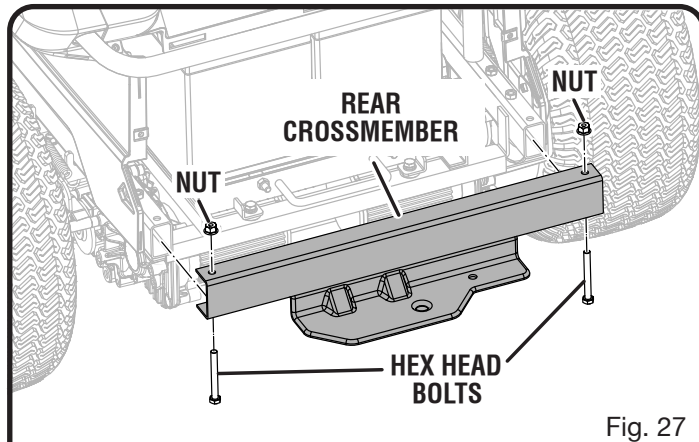


Fig. 27

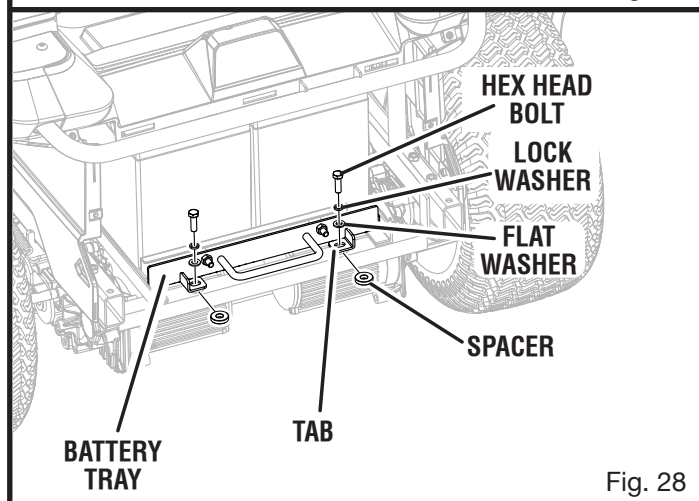


Fig. 28

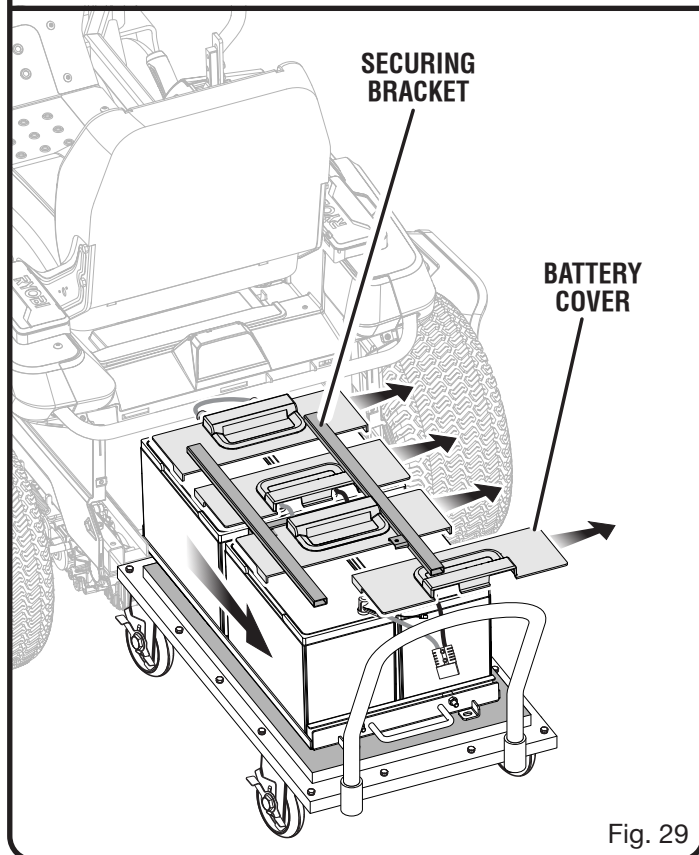


Fig. 29

# MAINTENANCE

- Disconnect the two center battery cables that are routed over the securing bracket. Disconnect the negative (black) cable first, then the positive (red) cable, being careful not to short across the terminals.

- Lift the battery securing bracket off the batteries and set aside.

- Disconnect the front and/or rear battery cables connecting the battery or batteries you intend to replace. Disconnect the negative (black) cable first, then the positive (red) cable, being careful not to short across the terminals.

**NOTE:** If you are disconnecting the cables at the rear of the mower, note the position of the battery thermistor terminal on the positive post and be sure to replace the terminal in the same location.

- Replace the battery or batteries as needed.
- Reinstall the battery securing bracket.
- Reinstall the battery cables. Connect the positive (red) cable first, then the negative (black) cable, being careful not to short across the terminals.
- Replace the battery covers.

- Push the battery tray back inside the mower and reconnect the battery thermistor and battery quick-connect plugs.

- Reinstall the spacers, flat washers, lock washers, and hex head bolts, that secure the battery tray tabs. Tighten securely.

- Reinstall the rear crossmember, then replace the hex head bolts and nuts. Tighten securely.

- Reinstall the hex head bolt through the securing bracket to secure battery tray in place. Tighten securely.

- Replace the battery compartment cover and reinstall the screws to secure.

**NOTE:** Make sure the tabs on the battery compartment cover are seated in the slots on the mower top and side panels before tightening the screws.

- Reinstall the wiring cover and push down until it latches securely in place, then lower the mower seat.

**NOTE:** Always ensure the safety interlock cable connection is still fully seated when replacing the wiring cover.

**NOTE:** Always abide by the safety warnings provided with the battery. Dispose of old battery according to local and state regulations.

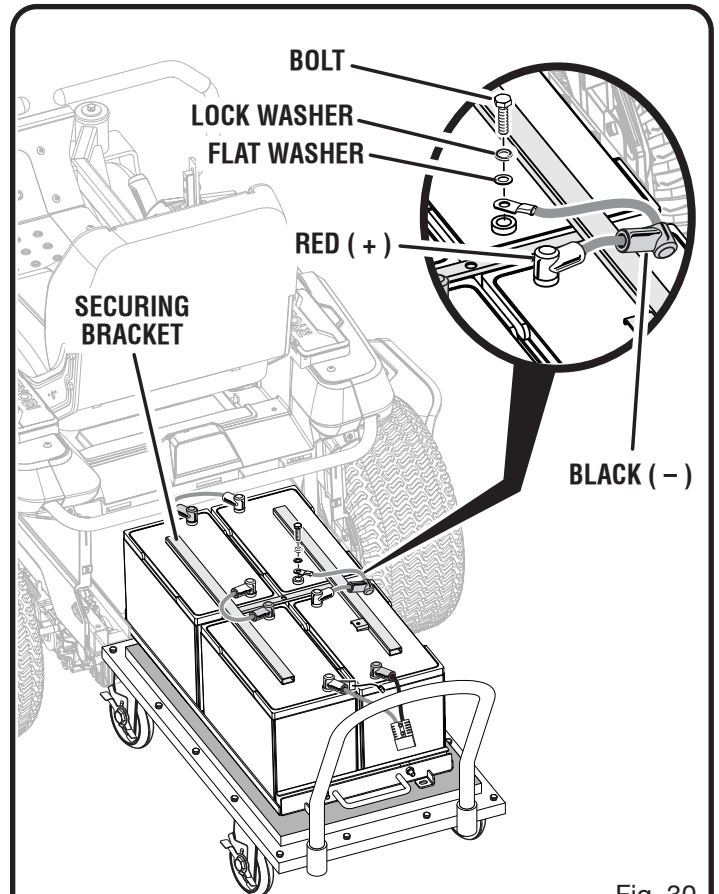


Fig. 30

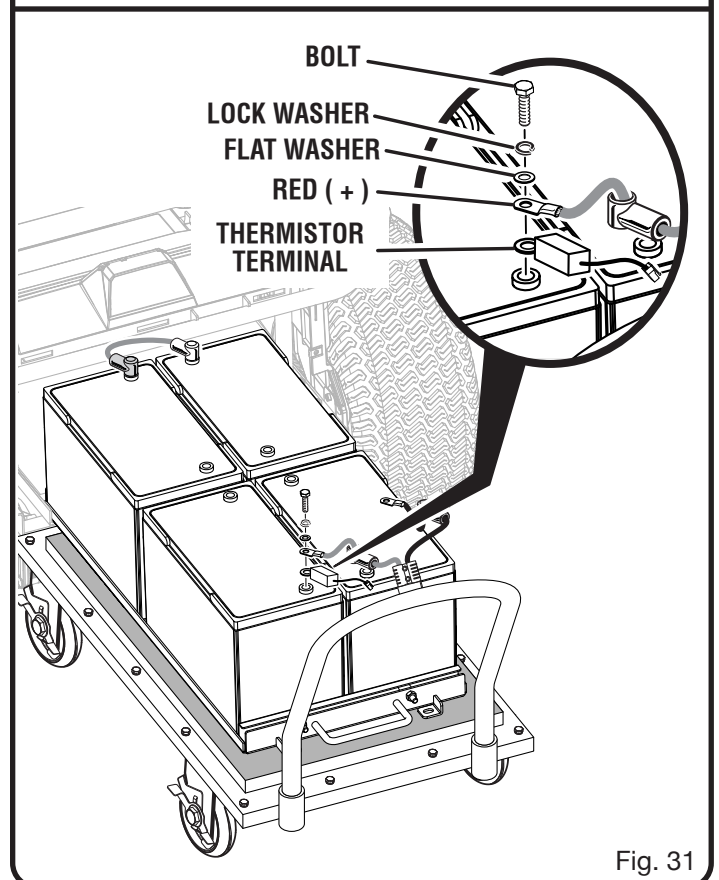


Fig. 31

# MAINTENANCE

## ADJUSTING THE DRIVE LEVERS

See Figure 32.

To maximize operator comfort and control, the height and angle of the mower drive levers can be adjusted.

### To adjust the drive lever height:

- Remove the hex head bolts from the drive lever mounting bracket.
- Shift the drive lever up or down as needed.
- Reinstall the bolts and tighten securely.

### To change the drive lever angle:

- Loosen the hex head bolts on the drive lever mounting bracket, but do not remove.
- Move the lever forward or backward to achieve the desired angle.
- Retighten the bolts to secure.

**NOTE:** Always keep both drive levers at the same height and angle. Neutral position for the drive levers should always be even.

## STORING THE MOWER

The following steps should be taken before storing the mower for the season.

- Remove any build-up of grass and leaves on or around the motor cover. Wipe the mower clean with a dry cloth. Do not spray with a garden hose, water, or liquids to clean.
- Plug the mower up to charge for the entire time of storage.

**NOTE:** If it is not possible to leave the mower charger connected during storage, charge the batteries at least once a month during storage.

- Store mower in a clean, dry place that is inaccessible to children. Do not store near any appliance that operates with flame such as a gas water heater, clothes dryer, or furnace.

**NOTE:** Set the parking brake and do not leave the key in the mower during storage. Place the key in a location that is inaccessible to children.

- If the mower must be stored outside, make sure it is covered completely to protect it from the elements.
- Keep away from corrosive agents such as garden chemicals and de-icing salts.

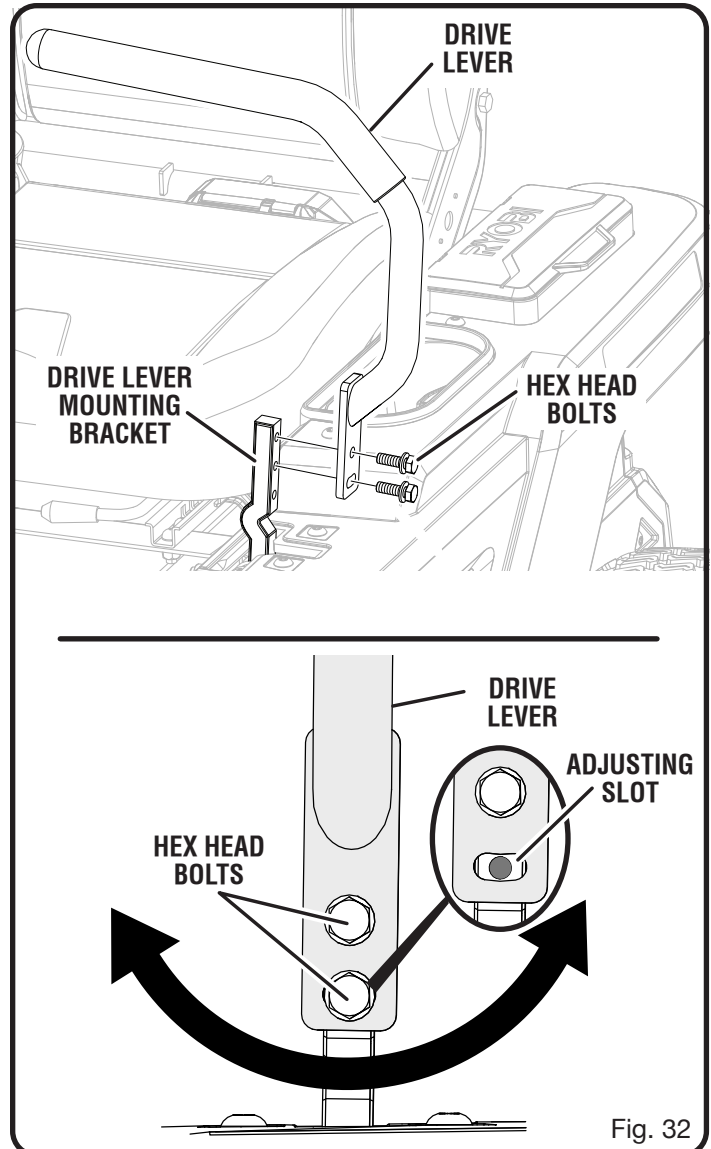


Fig. 32

## PREPARING FOR USE AFTER STORAGE

The following steps should be taken before using the mower after it has been stored:

- Review maintenance chart.
- Fully charge the batteries.
- Check tire pressure and inflate as needed.
- Briefly drive the mower and check all systems and components to ensure they are functioning correctly.

# MAINTENANCE

## BATTERY REMOVAL AND PREPARATION FOR RECYCLING



To preserve natural resources, please recycle or dispose of batteries properly.

This product uses lead acid batteries. Local, state or federal laws may prohibit disposal of batteries in ordinary trash.

Consult your local waste authority for information regarding available recycling and/or disposal options.



### WARNING:

Upon removal, cover the battery's terminals with heavy-duty adhesive tape. Do not attempt to destroy or disassemble battery or remove any of its components. Lead acid batteries must be recycled or disposed of properly. Also, never touch both terminals with metal objects and/or body parts as short circuit may result. Keep away from children. Failure to comply with these warnings could result in fire and/or serious injury.

## MAINTENANCE SCHEDULE

	Inspect Before Each Use	Every 25 Hours	Every 50 Hours or Yearly	Every 100 Hours	Before Storage
Check Brake Operation	X				
Check Tire Pressure	X				
Check Safety Interlock System	X				
Check for Loose Fasteners	X				X
Clean Debris From Mower	X		X		X
Check/Replace Mower Blades		X	X		
Clean Battery Terminals			X		

**NOTE:** Maintenance should be performed more frequently when mower is used in dusty areas.

When mower has exceeded the maximum figures specified in the table, maintenance should still be cycled according to the intervals of time or hours stated herein.

If you are unsure how to perform any of the maintenance items listed above, take the mower to an authorized service center for assistance.

# ACCESSORIES

To order these accessories, visit us online at [www.ryobitools.com](http://www.ryobitools.com) or call 1-800-860-4050.

- Bagging Kit (includes Bagger Assembly and Bagger Blades)..... ACRM005
- Combo Blades (for Mulching and Side Discharge) ..... ACRM006
- Bagger Blades ..... ACRM007

## **WARNING:**

Current attachments and accessories available for use with this product are listed above. Do not use any attachments or accessories not recommended by the manufacturer of this product. The use of attachments or accessories not recommended can result in serious personal injury.



## MAKE THE MOST OF YOUR PURCHASE!

Go to <http://register.ryobitools.com> and register your new tool on-line.

Your product has been fully tested prior to shipment to ensure your complete satisfaction.

For any questions about operating or maintaining your product, call the RYOBI Help Line!

**Excluding the battery, this product has a Three-year Limited Warranty for personal, family or household use (90 days for all other use, including business or commercial use). The battery has a One-year Limited Warranty for personal, family or household use (90 days for all other use, including business or commercial use). For warranty details, visit [www.ryobitools.com](http://www.ryobitools.com) or call (toll free) 1-800-860-4050.**

# TROUBLESHOOTING

IF THESE SOLUTIONS DO NOT SOLVE THE PROBLEM CONTACT YOUR AUTHORIZED SERVICE DEALER.

PROBLEM	POSSIBLE CAUSE	SOLUTION
Mower not starting.	Battery charge is low. Charger is connected to mower. Start key not installed or is in OFF position. Poor battery cable connections.	Charge the battery. Disconnect charger from mower. Install start key and turn to ON position. Check/clean all battery connections.
Mower won't move.	Start key not installed or is in OFF position. Drive levers are in neutral or open position. Brake is depressed and/or parking brake is engaged. Charger is connected to mower. Operator is not fully seated.	Install start key and turn to ON position. Move the drive levers in desired direction (forward or reverse). Release the brake pedal and/or the parking brake, then open and close the drive levers to reset. Disconnect charger from mower. Sit down fully on the seat, return the drive levers to the neutral position, then try again.
Mower cutting grass unevenly.	Uneven tire pressure. Mower deck not level. Worn, bent, loose, or dull blade. Build-up of debris under mower deck. Mowing speed is too fast.	Check tire pressure in all four tires. Perform cutting deck level adjustment. Replace blade. Clean underside of mower deck. Mow at a slower speed.
Mower not mulching properly.	Wet grass clippings sticking to the underside of the deck. Grass is too high. Worn, bent, loose, or dull blade. Mowing speed is too fast.	Wait until the grass dries before mowing. Mow once at a high cutting height, then mow again at the desired height. Replace blade. Mow at a slower speed.
Mower vibrating at higher speed.	Blade is unbalanced, loose, or excessively or unevenly worn. Bent motor shaft.	Replace the blade. Stop the motor and remove start key. Inspect for damage. Have repaired by an authorized service center before restarting.
Poor grass discharge.	Side discharge chute or opening is plugged. Grass is wet. Mowing speed is too fast. Grass is too high.	Clean side discharge chute and/or opening. Allow grass to dry before mowing. Mow at a slower speed. Mow once at a high cutting height, then mow again at the desired height.



# TROUBLESHOOTING

PROBLEM	POSSIBLE CAUSE	SOLUTION
Motor stops while cutting.	Cutting height set too low. Battery charge is low. Operator is not fully seated.	Raise the cutting height. Charge the battery. Sit down fully on the seat, return the drive levers to the neutral position, and push the blade engage knob down. Then try again.
Blades do not rotate.	Battery charge is low. Blade engage knob is down. Operator is not fully seated.  Build-up of debris under mower deck.	Charge the battery. Raise blade engage knob. Sit down fully on the seat, return the drive levers to the neutral position, and push the blade engage knob down. Then try again. Clean underside of mower deck.
Blades do not rotate while moving in reverse.	Blade engage knob is down.	Raise blade engage knob.
Mower won't reach full speed.	Battery charge is low. Low speed drive feature is engaged.	Charge the battery. Turn off low speed drive.
Blades continue to turn after operator leaves seat without parking brake set.	Safety interlock system is not functioning correctly.	Ensure safety interlock system seat plug is fully connected. If blades still won't stop, take mower to authorized service center for repair.
Headlights not working.	Headlights are off.  Headlights are damaged.	Press headlight button to turn headlights on.  Have headlights replaced at an authorized service center.
Battery will not charge.	Bad battery cells. Poor cable connections.	Replace battery. Check/clean all battery connections.

If problem persists after trying the above solutions, contact customer service or an authorized service center for assistance.

# TROUBLESHOOTING

## CHARGER ERROR CODES

CODE	MEANING	SOLUTION
One red flash	Charge Enable Fault — May indicate poor contact at the charger connector or that battery temperature is too hot (greater than 122°F).	Check charger/mower connection and remove any debris. Allow hot batteries to cool. Then try charging again.
Two red flashes	Battery Voltage Fault — May indicate installed battery or batteries are less than 36 V or more than 67.2 V, or that battery or batteries are too discharged or overcharged to be charged.	Batteries must be charged by another means in order to bring them up to 36 V or mower must be run in order to discharge batteries to 67.2 V.
Three red flashes	Battery Charge Timeout: Charge Time Exceeded — May indicate a problem with the mower batteries or that charger output current was severely reduced due to high ambient temperatures.	Disconnect charger. Allow batteries to cool, then try charging again.
Four red flashes	Battery Fault: Charge Time Exceeded — Indicates a problem with battery voltage not attaining the required nominal level within the maximum time allowed.	Disconnect charger. Check battery series configuration to be sure batteries are properly connected. Allow batteries to cool, then try charging again.
Five red flashes	Temperature Delay — Charger had to turn off its output due to excessive internal temperature.	Make sure the charger cooling fins are clear of obstruction and that the charger itself is not sitting in direct sunlight. If charger is hot, allow to cool before attempting to charge again.
Six red flashes	Charger Fault: Internal Fault Detected	Unplug charger, then plug back in and try charging again.

In all fault conditions, if suggested remedy does not clear the fault and allow the batteries to charge, take charger to authorized service center for repair or replacement.

# INSTRUCTIONS IMPORTANTES CONCERNANT LA SÉCURITÉ



## DANGER :

**LIRE TOUS LES AVERTISSEMENTS DE SÉCURITÉ, LES INSTRUCTIONS ET LES DIRECTIVES D'ASSEMBLAGE FOURNIS AVEC CE PRODUIT.** L'utilisation d'une tondeuse à braquage zéro nécessite de comprendre le fonctionnement de la tondeuse et de ses commandes. Si on ne respecte pas tous les avertissements et toutes les instructions, on risque la mort, des blessures graves, une décharge électrique ou un incendie.

## LISEZ TOUTES LES INSTRUCTIONS

- Cet outil coupant est capable d'amputer des mains et des pieds et projeter des objets. Le non respect de toutes les instructions de sécurité pourrait résulter en des blessures graves ou la mort.
- Éviter les environnements dangereux — N'utilisez pas la tondeuse dans un environnement mouillé ou humide et ne l'utilisez pas durant la pluie.
- Garder les enfants à l'écart — Garder les badauds, enfants et animaux domestiques à une distance minimum de 30,5 m (100 pi). Arrêter la tondeuse et éteindre la machine si quelqu'un entre dans la zone.
- Des accidents tragiques peuvent survenir si l'opérateur ne tient pas compte de la présence d'enfants. Les enfants sont souvent attirés par la machine et l'activité de tonte. **NE JAMAIS** assumer que les enfants resteront toujours au même endroit.
- Garder les enfants éloignés de la zone de tonte et qu'ils sont surveillés adéquatement par un adulte responsable autre que l'opérateur.



- Être alerte; immobiliser et arrêter la machine si un enfant est présent dans la zone de coupe.
- Avant et pendant la marche arrière, la manœuvre en sens inverse, ou en tournant, regarder derrière et vers le bas pour éviter de heurter un enfant, un spectateur ou un animal.
- Être spécialement attentif avant et pendant la marche arrière, la manœuvre en sens inverse, ou en tournant, lorsque la trousse d'ensachage est installée, car cette dernière limite le champ de vision. Toujours regarder attentivement derrière et par terre pour éviter de heurter de petits enfants, des spectateurs ou des animaux et déplacer lentement la tondeuse.
- Ne jamais transporter d'enfants même si les lames ne fonctionnent pas. Ces derniers peuvent tomber et être

gravement blessés ou nuire à l'opération sécuritaire de la machine. Les enfants déjà transportés peuvent soudainement apparaître dans la zone de coupe afin d'être à nouveau transportés ou peuvent courir devant ou derrière la machine.



- Ne jamais laisser un enfant faire fonctionner la machine.



## AVERTISSEMENT :

**LES ENFANTS PEUVENT ÊTRE TUÉS OU GRAVEMENT BLESSÉS PAR CET ÉQUIPEMENT.** L'Académie des pédiatres américaine recommande que les enfants doivent avoir au moins 16 ans avant de les laisser opérer une tondeuse à gazon autoportée.

- Une prudence accrue doit être exercée à l'approche de tournants sans visibilité, d'arbustes, d'arbres ou autres objets pouvant camouflés un enfant.
- Porter des pantalons longs et épais, des manches longues, des gants et des chaussures de protection qui protégeront les pieds et amélioreront la traction sur des surfaces glissantes. Ne pas porter de vêtements amples, de shorts ou de sandales, et ne pas travailler pieds nus. Ne porter aucun bijou. Ils peuvent se coincer dans les pièces mobiles.
- Ne jamais laisser une machine en marche sans surveillance. Toujours arrêter les lames, enclencher le frein à main, arrêter le moteur et retirer la clé de démarrage avant tout démontage.
- Vérifier le fonctionnement des freins avant chaque utilisation et plusieurs fois en cours d'utilisation. Régler et réparer le cas échéant.
- Éloignez les mains et les pieds de la zone de coupe, laquelle est située sous le plateau de coupe et à l'intérieur de la goulotte d'éjection de côté. Tenez vous éloigné de l'ouverture de goulotte d'éjection de côté en tout temps. Ne pas tenter d'atteindre le dessous du plateau de coupe.
- Utilisez la tondeuse seulement à la lumière du jour ou avec une bonne lumière artificielle.
- Porter des lunettes de sécurité — Toujours porter une protection oculaire munie d'écrans latéraux certifiée conforme à la norme ANSI Z87.1. Utilisez une masque faciale si l'utilisation produit de la poussière.
- Utilisez l'outil approprié — N'utilisez pas la tondeuse pour aucune tâche sauf celle pour laquelle elle est conçue.
- Ne forcez pas la tondeuse — Elle exécutera le travail mieux et de façon plus sécuritaire à la vitesse pour laquelle elle fut conçue.
- Ne pas charger l'outil sous la pluie ou dans un endroit mouillé.
- Restez vigilant — Regardez ce que vous faites et utilisez votre meilleur jugement lorsque vous utilisez la tondeuse. N'utilisez pas la tondeuse si vous êtes fatigué, contrarié ou sous influence de drogues, d'alcool ou de médicaments. Un moment d'inattention pendant l'utilisation de la tondeuse peut résulter en une blessure grave.
- Faire l'entretien de la tondeuse avec soins — Gardez l'outil en bon état. Assurez-vous que les lames soient affûtées et que les dispositifs de protections soient en place et en état de fonctionnement. Pour éviter les blessures graves,

# INSTRUCTIONS IMPORTANTES CONCERNANT LA SÉCURITÉ

d'endommager la tondeuse et obtenir une performance optimale, remplacer les lames usées ou usées inégalement.

- Vérifiez avant chaque utilisation si tous les écrous, boulons et vis sont serrés pour s'assurer que l'équipement est sécuritaire. Les lames de tondeuse sont tranchantes. Envelopper les lames ou porter des gants et prendre beaucoup de précautions lors de l'entretien.
- Arrêter le moteur, attendre que les lames s'arrêtent complètement et retirer la clé de démarrage avant de nettoyer la tondeuse, d'enlever le collecteur d'herbe ou retrait du couvercle d'éjection d'herbe.
- Remplacer la lame si elle est pliée, fissurée ou endommagée de quelque façon que ce soit. Une lame déséquilibrée provoque des vibrations qui peuvent endommager le moteur de l'appareil et provoquer des blessures. Affûter également les extrémités de la lame émoussée afin de maintenir l'équilibre. Nettoyer complètement la lame et vérifier son équilibre en la déposant à l'horizontale et en plaçant l'orifice du centre sur un petit clou. Le clou doit être placé à l'horizontale. Si l'une des extrémités de la lame tourne vers le bas, enlever un peu de métal de la partie épaisse inférieure de la lame jusqu'à ce que celle-ci soit équilibrée. Une lame équilibrée lorsqu'aucune extrémité n'est inclinée.
- La goulotte d'éjection de côté est un protecteur à ressort recouvrant l'ouverture d'éjection de côté du plateau de coupe et éjecte les débris d'herbe et autres débris loin de l'opérateur. Toujours s'assurer que le moteur est arrêté et que les lames ont cessé de tourner avant d'inspecter, déplacer, nettoyer ou effectuer l'entretien de la goulotte d'éjection de côté.
- Toujours, utiliser des dispositifs de protection. Ne pas opérer la tondeuse sans avoir installé la goulotte d'éjection de côté et que celle-ci fonctionne correctement. Le couvercle d'éjection d'herbe doit être installé correctement et bien fonctionner pendant l'opération de déchiquetage et la trousse d'ensilage doit être correctement installée et bien fonctionner pendant l'opération d'ensilage.
- Ne jamais tenter de nuire à la fonction prévue du dispositif de sécurité ou de réduire la protection fournie par ce dispositif de sécurité. Vérifier périodiquement l'état de fonctionnement de ces pièces.
- Ne jamais modifier les dispositifs de sécurité. Vérifier périodiquement l'état de fonctionnement.
- Suivez les instructions du fabricant relatives à l'installation et l'utilisation des accessoires. Utilisez seulement des accessoires approuvés par le fabricant. L'utilisation d'autres accessoires représente un risque accru de blessures.
- Nettoyez la zone de travail avant chaque utilisation. Enlevez tous les objets tels que les roches, les branches, métal, les fils, les os, les jouets, branches d'arbres au sol, arbres produisant des noix et d'autres objets qui peuvent être projetés par les lames.
- Des objets frappés par les lames de la tondeuse peuvent causer des blessures graves. La pelouse devrait toujours être examinée attentivement et nettoyée de tout objet avant la tonte.
- Si la tondeuse frappe un objet étranger, suivez ces étapes:
  - Arrêter la tondeuse, enclencher le frein à main, attendre que les lames s'arrêtent complètement, puis retirer la clé de démarrage.

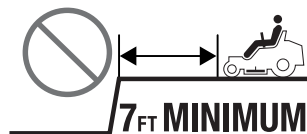
- Inspectez attentivement la tondeuse pour desceller les dommages.
- Remplacer la lame si elle est endommagée de quelque façon que ce soit Réparez tout dommage avant de démarrer et de continuer à utiliser la tondeuse.

- Les pentes représentent un facteur majeur des accidents causés par la perte de contrôle ou le renversement et sont cause de blessures graves ou mortelles. Toute opération sur des pentes exige une extrême prudence. S'il est impossible d'aborder une pente ou si vous y sentez pas à l'aise, ne la tondez pas. Ne pas manœuvrer à sens inverse dans une pente. Ne jamais grimper des pentes raides ayant une inclinaison supérieure à 15°.

- Ne jamais tenter de conduire sur une pente raide ou tondre une pente ayant une inclinaison supérieure à 15°. Pour déterminer l'angle de la pente à tondre, utiliser le **Guide de pente** au verso de ce manuel.



- Tondre les pentes de haut en bas et non pas à l'horizontale.
- Surveiller les trous, ornières, bosses, pierres et autres objets dissimulés. Un terrain inégal représente un risque de basculement de la machine. L'herbe haute peut dissimuler des obstacles.
- Tondre à basse vitesse de manière à pouvoir éviter les arrêts brusques ou une accélération accidentelle pendant la tonte effectuée sur une pente.
- Ne pas tondre une pelouse humide. Ceci peut causer la perte de traction des pneus et une perte de contrôle.
- Toujours garder les leviers de commande en position avant pendant la descente des pentes. Ne pas passer en position neutre pour éviter la perte de contrôle de la tondeuse.
- Éviter de démarrer, d'arrêter ou de tourner sur une pente. Si la traction des pneus diminue, arrêter les lames et descendre lentement la pente en ligne droite.
- Tous les mouvements effectués sur une pente doivent être lents et progressifs. Ne pas changer brusquement de vitesse ou de direction pour éviter le capotage de la machine.
- Exercer une prudence accrue pendant le fonctionnement de la machine équipée d'ensacheuses ou autres accessoires, car ils peuvent nuire à la stabilité de la machine. Ne pas utiliser sur les pentes raides ayant une inclinaison supérieure à 15°.
- Ne pas tenter de stabiliser la machine en mettant un pied au sol.
- Assurer au moins deux largeurs de tonte (2,13 m ou 7 pi) entre vous et les fossés, les terrains dénivelés, ou l'eau. Les roues pivotantes avant peuvent pivoter lorsque la tondeuse est arrêtée, même avec le frein serré, et faire en sorte que la tondeuse passe par-dessus bord ou dans l'eau, entraînant la mort ou des blessures graves.



# INSTRUCTIONS IMPORTANTES CONCERNANT LA SÉCURITÉ

- N'éjectez jamais du matériel en direction de quelqu'un. Planifiez le parcours de la tondeuse pour éviter d'éjecter les matériaux sur les passants, routes, les trottoirs, fenêtres, véhicules, etc. Évitez également d'éjecter les matériaux sur un mur ou une obstruction ce qui pourrait causer un matériau d'être projeté par ricochet en direction de l'opérateur.
- Arrêtez la lame quand vous traversez des surfaces recouvertes de gravier pour éviter d'éjecter du gravier ou des pierres et conduire lentement et prudemment la tondeuse pour éviter la perte de contrôle.
- Redoublez la prudence si vous vous approchez des coins, des arbustes, des arbres ou d'autres objets qui vous cachent la vue.
- Ne jamais effectuer d'ajustements, réglages ou réparations lorsque le moteur est en marche et/ou que les lames tournent. Mettre le commutateur d'allumage à la position « OFF » (arrêt) et retirer la clé.
- Arrêter le moteur, enclencher le frein à main, attendre que les lames s'arrêtent complètement et retirer la clé de démarrage avant de déboucher la goulotte d'éjection de côté ou ouverture. Les lames continuent de tourner pendant quelques secondes après que le moteur soit arrêté. Ne mettez jamais aucune partie du corps dans la proximité de la lame avant d'être certain que les lames ont cessé de tourner.
- Si la tondeuse commence à vibrer de façon anormale, arrêtez le moteur et vérifiez immédiatement la cause. Remplacer les lames si elles sont usées de façon inégale ou endommagées de quelque façon que ce soit. La vibration est généralement un signe de lame de tondeuse endommagée.
- Arrêter les lames de la tondeuse si aucune tonte n'est faite.
- Le produit et chargeur doit être réparé par un personnel qualifié seulement. Des réparations ou l'entretien effectués par un personnel non qualifié pourraient résulter en des blessures pour l'utilisateur ou endommager le produit.
- Lors de réparation du produit, utilisez des pièces de remplacement autorisées. Utiliser uniquement des lames de rechange identiques. L'utilisation des pièces non autorisées peut créer un risque d'une blessure sérieuse à l'utilisateur ou endommager le produit.
- Conserver ou remplacer les étiquettes d'instructions de sécurité, si nécessaire.
- Retirer la clé de démarrage — Retirer la clé de démarrage avant d'entreposer, d'effectuer l'entretien, ou de changer les accessoires comme la lame. Ces mesures de sécurité réduisent les risques de démarrage accidentel de la tondeuse.
- Arrêter le produit et retirer la clé de démarrage lorsqu'il n'est pas utilisé. Mettre l'arrêt complet du moteur et la clé de démarrage retirés de la tondeuse avant de transporter le produit.
- Les outils fonctionnant à batteries n'ayant pas besoin d'être branchés sur une prise secteur, ils sont toujours en état de fonctionnement. Tenir compte des dangers possibles lorsque l'outil n'est pas en usage et lors du remplacement des batteries. Le respect de cette règle réduira les risques d'incendie, de choc électrique et de blessures graves.
- Ne pas utiliser une tondeuse alimentée par batterie sous la pluie.
- Retirer la clé de démarrage avant l'entretien ou le nettoyage de l'outil de jardin ou avant d'en retirer des matériaux.
- Ranger les appareils qui ne sont pas utilisés à l'intérieur — lorsque la tondeuse n'est pas utilisée, la ranger à l'intérieur dans un endroit sec et verrouillé hors de la portée des enfants. Retirer la clé de démarrage et la ranger dans un endroit situé hors de la portée des enfants.
- Suivre les instructions de changement d'accessoires.
- Faire fonctionner cet appareil ne doit être permis qu'aux adultes responsables, formés et physiquement capables, qui sont familiers avec et veillent à comprendre les instructions.
- Ne jamais transporter de passagers.
- Ne jamais faire fonctionner l'appareil dans un endroit clos.
- Ne pas tondre en marche arrière sauf si cela est vraiment nécessaire. Toujours regarder vers le bas et derrière avant et pendant la marche arrière.
- Ralentir avant de tourner.
- Surveiller la circulation lors d'une tonte effectuée près ou d'une route ou en traversant une chaussée.
- Les tondeuses à propulsion nécessitent plus de traction que les tondeuses à traction. Pour éviter tout renversement, faire très attention lorsqu'on tond des pentes ou lorsqu'on traverse des surfaces humides.
- Pendant la tonte, maintenir une distance d'au moins 2,13 m (7 pi) des dénivellations, des talus, de l'eau et des surfaces semblables à des marais.
- Exercer une prudence accrue lors du chargement ou du déchargement de la machine sur une remorque ; appuyer sur le bouton de conduite à basse vitesse et déplacer doucement les leviers de commande au besoin pour contrôler la vitesse. Toujours reculer sur la remorque lors du chargement. Lors du chargement ou du déchargement de la tondeuse, éviter de dépasser l'angle d'opération de 15 ° recommandé.
- Utiliser des rampes sur toute la largeur pour charger et décharger une machine en vue de son transport.
- Des données indiquent que les opérateurs de 60 ans et plus sont impliqués dans un large pourcentage de blessures causées par la conduite d'une tondeuse. Ces opérateurs devraient évaluer leur habileté à opérer une tondeuse autoportée tout en étant suffisamment sécuritaire afin de les protéger eux-mêmes et les autres personnes contre les blessures graves.
- Garder la machine libre de toute herbe, feuille et autre accumulation de débris. Laisser refroidir la machine avant de la ranger.
- Ne pas nettoyer la machine en utilisant un boyau d'arrosage, cela pourrait endommager la batterie ou les composants électroniques et provoquer un court-circuit ou un incendie. Utiliser un appareil propulsant de l'air, comme un compresseur ou un souffleur de feuilles, pour nettoyer la tondeuse.
- L'assemblage du collecteur d'herbe (si présent) peut se détériorer et s'user et doit être vérifié chaque fois avant d'utiliser la tondeuse à gazon. S'il doit être remplacé, s'assurer que le nouveau collecteur d'herbe répond aux exigences et aux spécifications du fabricant d'origine.

# INSTRUCTIONS IMPORTANTES CONCERNANT LA SÉCURITÉ

## CONSIGNES DE SÉCURITÉ ADDITIONNELLES CONCERNANT LES BATTERIES

- Ne pas ouvrir ou altérer les batteries. L'électrolyte est un produit corrosif pouvant causer des lésions cutanées ou oculaires. Il peut être toxique en cas d'ingestion.
- Ne pas jeter les batteries au feu. Les batteries peuvent exploser. Vérifier les codes locaux pour connaître toute instruction spéciale relative à l'élimination des batteries.
- Conserver tous les objets métalliques tels que trombones, pièces de monnaie, clés, clous, vis ou autres petits objets métalliques à l'écart de la batterie et des bornes de la batterie pouvant établir une connexion entre deux terminaux. La mise en court-circuit des bornes de piles peut causer des étincelles, des brûlures ou un incendie, et peut entraîner des blessures graves et des dommages matériels.
- Manipuler les batteries avec soin pour éviter des courts-circuits avec des objets conducteurs comme des anneaux, des bracelets et des clés. La batterie ou l'objet conducteur peuvent surchauffer et causer des brûlures.
- Si l'outil est utilisé de façon intensive ou sous des températures extrêmes, des fuites de pile peuvent se produire. En cas de contact du liquide avec la peau, rincer immédiatement la partie atteinte avec de l'eau savonneuse. En cas d'éclaboussure dans les yeux, les rincer à l'eau fraîche pendant au moins 10 minutes, puis contacter immédiatement un médecin. Le respect de cette consigne réduira les risques de blessures graves.
- Ne pas charger la batterie dans des conditions extrêmement chaudes ou froides. La qualité de charge des batteries sera optimale à l'intérieur d'une plage de 0 à 40 °C (32 à 104 °F).

- Utiliser seulement des batteries au plomb pour tondeuse électrique autoportée de RYOBI de 75 Ah (LPC12-75) ou de 100 Ah (LPC12-100).
- Ne recharger qu'avec l'appareil spécifié par le fabricant. Un chargeur approprié pour un type de batterie peut créer un risque d'incendie s'il est utilisé avec un autre type de batterie.

## CONSIGNES DE SÉCURITÉ ADDITIONNELLES POUR LA TONTE

- S'assurer que les conditions et l'objet remorqué sont sécuritaires pour le remorquage et laissent l'opérateur garder le contrôle de la tondeuse. Ne jamais remorquer sur des pentes, des surfaces mouillées ou instables. Le poids total remorqué ne doit pas dépasser 226,8 kg (500 lb).
- Respecter les poids et contrepoids de roue recommandés par le fabricant.
- Ne pas atteler d'équipement ailleurs qu'au point d'attache approuvé.
- Ne jamais permettre aux enfants ou autres personnes de s'installer à l'intérieur ou sur l'équipement remorqué.
- La distance de freinage augmente avec la vitesse et le poids de la charge remorquée. Se déplacer lentement et allouer plus de temps et une plus longue distance de freinage.
- Éviter les virages brusques pendant le remorquage. Exercer une prudence accrue lors des virages ou pendant la manœuvre sur des surfaces difficiles. Faire preuve de prudence lors de la marche arrière.

## RÈGLES DE SÉCURITÉ IMPORTANTES CONCERNANT LE CHARGEUR

# INSTRUCTIONS IMPORTANTES CONCERNANT LA SÉCURITÉ

### 1. CONSERVER CES INSTRUCTIONS - DANGER - POUR RÉDUIRE LE RISQUE D'INCENDIE OU DE DÉCHARGE ÉLECTRIQUE, VEUILLEZ SUIVRE ATTENTIVEMENT CES INSTRUCTIONS.

Ce manuel contient d'importantes instructions relatives à la sécurité et au fonctionnement des chargeurs de batteries SC-48.

- 2. Avant d'utiliser le chargeur de batteries**, lire toutes les instructions et les mises en garde figurant sur le chargeur de batterie, sur la batterie et sur le produit utilisant la batterie.
- 3. ATTENTION :** Afin de réduire le risque de blessures, charger seulement des batteries au plomb pour tondeuse électrique autoportée de RYOBI de 75 - 100 Ah. Les batteries d'autres types peuvent exploser et causer des dommages et blessures.

# RÈGLES DE SÉCURITÉ IMPORTANTES CONCERNANT LE CHARGEUR

## CONSERVER CES INSTRUCTIONS

### DANGER !

SUIVRE ATTENTIVEMENT CES INSTRUCTIONS AFIN DE RÉDUIRE LE RISQUE D'INCENDIE, D'ÉLECTROCUTION, DE BLESSURES GRAVES OU MORTELLES.




- **Ce manuel renferme des directives de sécurité et d'utilisation importantes concernant le chargeur.** Consulter fréquemment les directives et les utiliser pour informer les autres utilisateurs pouvant se servir de ce produit. Si ce produit est prêté à quelqu'un, fournir également ces instructions afin d'éviter une mauvaise utilisation du produit et le risque possible de blessures.
- **Avant d'utiliser le chargeur,** lire et comprendre toutes les instructions de sécurité et mises en garde figurant dans ce manuel, sur le chargeur, sur les batteries et sur le tondeuse de 48 v pour éviter un usage incorrect et des dommages ou blessures.
- **Ce chargeur doit être utilisé seulement pour charger la tondeuse autoportée de 48 V RYOBI.** L'utilisation avec d'autres produits ou batteries représente un risque de blessures ainsi que des bris au produit ou au chargeur.
- **Les batteries au plomb peuvent générer de l'hydrogène gazeux pendant l'utilisation normale.** Éloigner les batteries de toutes étincelles et flammes et tous les matériaux fumants.
- **Le chargeur n'est pas un jouet pour enfants.**
- **Le chargeur doit être bien ventilé afin de disperser la chaleur pendant la charge.** Le chargeur ne deviendra pas chaud. Garder éloigné des matériaux inflammables et combustibles et ne pas recouvrir le chargeur.
- **Risque de brûlures** — Les surfaces du chargeur peuvent être chaudes pendant la charge. Utiliser seulement la poignée du chargeur. Monter le chargeur sur une table ou un mur en dirigeant les ailettes à la verticale.
- **Risque de choc électrique.** Ne pas toucher les parties non isolées du connecteur de sortie ou les bornes de batteries non isolés.
- **Ne pas utiliser le chargeur à l'extérieur, ni l'exposer à l'eau ou l'humidité.** La pénétration d'eau dans le chargeur accroît le risque de choc électrique. Le chargeur doit être branché dans une prise avec fuite de terre de catégorie A lorsqu'il est utilisé à l'extérieur.
- **Garder le chargeur et la fiche du chargeur libre de toute contamination et saleté. Ne jamais laisser de liquides tels que le fluide de freins, l'essence, les produits à base de pétrole, les huiles pénétrantes, etc., entrer en contact avec les pièces en plastique.** Ces liquides contiennent des produits chimiques susceptibles d'endommager, d'affaiblir ou de détruire le plastique.

- **Garder le cordon et le chargeur à l'écart des sources de chaleur pour éviter des dommages au boîtier ou aux pièces internes.**
  - **Ne pas maltraiter le cordon d'alimentation ou le chargeur.** Ne jamais utiliser le cordon d'alimentation pour transporter le chargeur. Tirer la fiche au lieu du cordon d'alimentation lors du débranchement de la prise du chargeur. Un cordon ou un chargeur endommagé représente un risque d'électrocution. Faire immédiatement remplacer les cordons endommagés par un centre de réparation.
  - **Ne pas utiliser un chargeur dont la prise ou le cordon est endommagé,** ce qui pourrait entraîner un court-circuit et un choc électrique. Le cas échéant, faire remplacer la courroie d'entraînement dans un centre de réparations agréé.
  - **Ne pas utiliser le chargeur s'il a été soumis à un choc violent ou autrement endommagé.** Le confier à un réparateur agréé afin qu'il détermine s'il est en bon état de fonctionnement.
  - **S'assurer que les cordons sont placés de manière à éviter leur piétinement, le trébuchement, le contact avec des arêtes vives ou des pièces mobiles ou exposés aux bris ou contraintes.** Ceci permettra de réduire le risque de chutes accidentelles pouvant causer des blessures et d'endommager les cordons et provoquer une électrocution.
  - **N'utiliser un cordon prolongateur qu'en cas d'absolue nécessité.** L'usage d'un cordon prolongateur incorrect peut présenter des risques d'incendie et de choc électrique. Si un cordon prolongateur doit être utilisé, s'assurer :
    - a. Que la fiche du cordon comporte le même nombre de broches que celles du chargeur et que ses broches sont de mêmes forme et taille.
    - b. Que le cordon est correctement câblé et en bon état électrique ; et
    - c. Que le calibre des fils est suffisant pour l'intensité c.a. du chargeur spécifiée ci-dessous :










Longueur du cordon (en pieds)	25'	50'	100'
Calibre du cordon (AWG)	14	14	12
- NOTE :** AWG = American Wire Gage (calibre de fils américain)
- **Ne pas démonter le chargeur.** L'ouverture du chargeur annulera la garantie. Si le chargeur doit être entretenu ou réparé pendant la période de garantie, apporter le chargeur à un centre de réparations pour le faire remplacer.
  - **Le réparateur doit débrancher le chargeur de la prise de courant CA et de la prise de la tondeuse avant d'effectuer toute tâche d'entretien ou de nettoyage afin de réduire le risque d'électrocution.**

# SYMBOLES

Les termes de mise en garde suivants et leur signification ont pour but d'expliquer le degré de risques associé à l'utilisation de ce produit.

SYMBOLE	SIGNAL	SIGNIFICATION
	<b>DANGER :</b>	Indique une situation dangereuse qui, si elle n'est pas évitée, aura pour conséquences des blessures graves ou mortelles.
	<b>AVERTISSEMENT :</b>	Indique une situation dangereuse qui, si elle n'est pas évitée, pourrait entraîner des blessures graves ou mortelles.
	<b>ATTENTION :</b>	Indique une situation dangereuse qui, si elle n'est pas évitée, pourrait entraîner des blessures légères ou de gravité modérée.
	<b>AVIS :</b>	(Sans symbole d'alerte de sécurité) Indique les informations jugées importantes sans toutefois représenter un risque de blessure (ex. : messages concernant les dommages matériels).






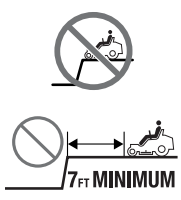

Certains des symboles ci-dessous peuvent être utilisés sur produit. Veiller à les étudier et à apprendre leur signification. Une interprétation correcte de ces symboles permettra d'utiliser produit plus efficacement et de réduire les risques.

SYMBOLE	NOM	DÉSIGNATION / EXPLICATION
	Symbole d'alerte de sécurité	Indique un risque de blessure potentiel.
	Lire manuel d'utilisation	Pour réduire les risques de blessures, l'utilisateur doit lire et veiller à bien comprendre le manuel d'utilisation avant d'utiliser ce produit.
	Protection oculaire	Toujours porter une protection oculaire munie d'écrans latéraux certifiée conforme à la norme ANSI Z87.1.
	Tenez les enfants éloignés	Garder les enfants hors de la zone de tonte et les faire surveiller par un adulte responsable autre que l'opérateur.
	Avertissement concernant l'humidité	Risque de feu et de brûlures. Ne pas exposer la pile, le compartiment de la pile, ou les composants électroniques à la pluie, l'eau ou d'autres liquides. Ne pas charger la batterie ou exposer la tondeuse à gazon à la pluie ou dans des endroits humides. Ne pas opérer sur un sol humide.
	Choc électrique	Ne pas utiliser la machine dans un endroit sec ou ne pas respecter les pratiques de sécurité peut entraîner un choc électrique.
	Garder les mains et les pieds à l'écart	Garder les mains et les pieds à l'écart de la lame et de la zone de coupe.
	Se tenir loin	Ne pas mettre ses mains ou ses pieds en dessous du châssis de la tondeuse.
	Éviter les pentes	Ne pas utiliser sur des pentes raides ou pentes de plus de 15°. La tonte sur les pentes doit se faire de haut en bas et jamais à l'horizontale.



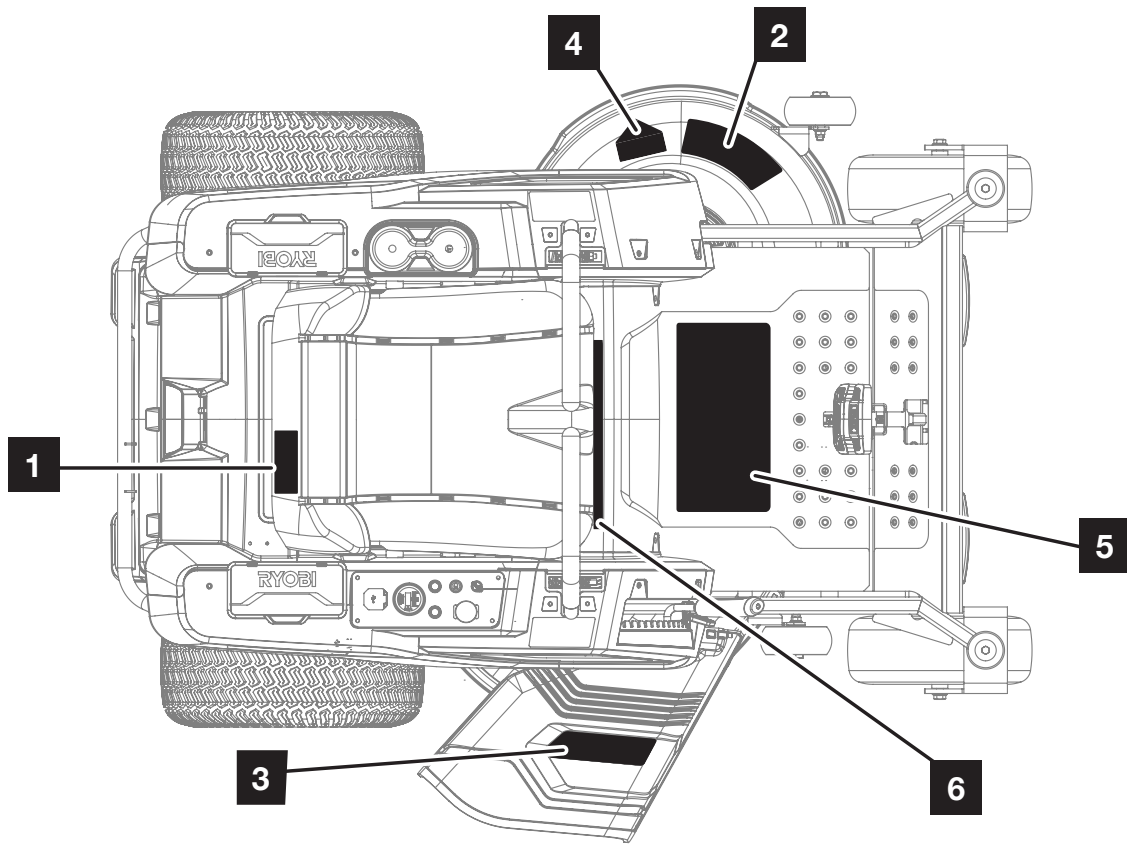
# SYMBOLES

Certains des symboles ci-dessous peuvent être utilisés sur produit. Veiller à les étudier et à apprendre leur signification. Une interprétation correcte de ces symboles permettra d'utiliser produit plus efficacement et de réduire les risques.

SYMBOLE	NOM	DÉSIGNATION / EXPLICATION
	Tenir les enfants et les curieux à bonne distance	Tenir les enfants, les curieux et animaux à une distance de 30,5 m (100 pi) au moins.
	Ricochet	Les objets projetés peuvent ricocher et infliger des blessures ou causer des dommages matériels.
	Objets projetés	Les objets projetés peuvent ricocher et infliger des blessures ou causer des dommages matériels. N'éjectez jamais du matériel en direction de quelqu'un.
	Aucun passager	Ne jamais transporter de passagers ni aucune autre personne même si les lames ne tournent pas.
	Reculer avec prudence	Toujours regarder vers le bas et derrière vous avant et lors de manœuvres en marche arrière ou en tournant. S'assurer que les enfants, spectateurs et animaux sont absents de la zone.
	Rester loin des fossés, des décharges et de l'eau	Assurer au moins deux largeurs de tonte (2,13 m ou 7 pi) entre vous et les fossés, les terrains dénivelés, ou l'eau. Les roulettes avant tournent lorsque la tondeuse est arrêtée, même avec le frein appliqué, et peut entraîner la tondeuse sur une bordure ou dans l'eau.
	Symbole de recyclage	Ce produit utilise le batterie de acide de plomb (Pb). Les réglementations locales ou gouvernementales peuvent interdire de jeter les batteries dans les ordures ménagères. Consulter les autorités locales compétentes pour les options de recyclage et/ou l'élimination.
≡	Courant continu	Type ou caractéristique du courant
V	Volts	Tension
A	Ampères	Intensité
Hz	Hertz	Fréquence (cycles par seconde)
W	Watt	Puissance
hrs	Heures	Durée

# ÉTIQUETTES DE SÉCURITÉ

Les étiquettes suivantes se trouvent sur le produit. Pour votre sécurité, veuillez réviser et comprendre toutes les étiquettes avant de démarrer le produit. Si l'une des étiquettes se décolle de l'unité ou si elle devient difficile à lire, contactez un centre de service autorisé pour obtenir une autre étiquette.



**1** **RYOBI** RY48ZTR75 ELECTRIC ZERO TURN MOWER  
099749015 TONDEUSE ÉLECTRIQUE ZERO TURN  
ZERO TURN ÉLECTRIQUE TIPO TRACTOR

48V --- 42 in. (106.7 cm) 75 Ah  
Cutting Path / Chemin de coupe / Trayectoria de corte

For use only with SC-48 charger. For use only with LPC12-75 or LPC12-100 battery.  
Utiliser seulement avec SC-48 chargeur. Utiliser seulement avec la batterie LPC12-75 ou LPC12-100.  
Use sólo con SC-48 cargador. Para utilizar únicamente con la batería LPC12-75 o LPC12-100.

Techtronic Industries Power Equipment  
P.O. Box 1288, Anderson, SC 29622  
1-800-860-4050 www.ryobitools.com

Made in China  
Fabriqué en Chine  
Fabricado en China

**3** **⚠ DANGER**

Risk of injury. Keep hands and feet away from rotating blades. Make sure mower and blades are stopped before placing hands or feet near blades. Do not operate mower unless chute deflector or entire grass catcher is in its proper place. Do not put hands or feet under or into mower when motor is running. Before mowing, clear area of objects that may be thrown by the blade.

Etiquetar a español provisto. Llame a 1-800-860-4050 para su sustitución.

**2** **⚠ DANGER**

Risk of injury. Keep hands and feet away from rotating blades. Make sure mower and blades are stopped before placing hands or feet near blades. Do not operate mower unless chute deflector or entire grass catcher is in its proper place. Do not put hands or feet under or into mower when motor is running. Before mowing, clear area of objects that may be thrown by the blade.

Etiquetar a español provisto. Llame a 1-800-860-4050 para su sustitución.

Assemble chute deflector to this unit before operating.

**4** **DANGER**

**KEEP HANDS and FEET AWAY**

Sello español siempre.  
Llame a 1-800-860-4050 para su sustitución.

# ÉTIQUETTES DE SÉCURITÉ

5

## ⚠ WARNING



- Keep all safety devices, guards, shields, and switches in place and in working order.
- Know location and function of all controls.
- Before leaving operator's position, disengage blades, engage parking brake, shut off, and remove key.
- Keep hands and feet away from rotating parts.
- Remove any objects from the mowing area that can be thrown by the blades.
- Store idle ride on mower indoors.



Do not expose battery, battery compartment, or electronic components to rain, water, or liquids. Do not charge battery or expose mower to rain or damp locations.



## ⚠ DANGER

### ROTATING BLADES AND TIP OVER/ROLL OVER CAUSE DEATH OR SERIOUS INJURY - FOLLOW ALL OPERATORS INSTRUCTIONS



- Read operator's manual.
- Do not operate within 100 ft. of children, bystanders, or animals.



- Go up and down slopes, not across.
- Avoid steep slopes greater than 15° and wet slopes.
- If mower stops while going uphill, stop blades, look behind you, and back down slowly.



- Never carry children or anyone even when the blades are off.

- Mower can be operated in reverse and turned around with blades engaged.
- Always look down and behind you before and when maneuvering in reverse or turning around.
- Mowing in reverse is not recommended.



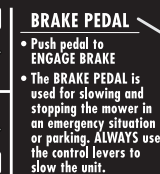
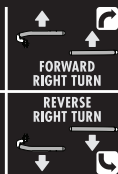
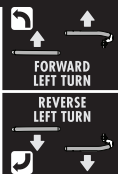
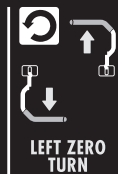
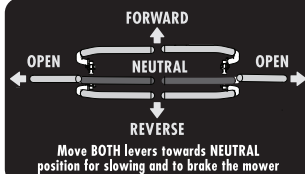
- Do not operate mower where it could slip or tip.
- Avoid sudden turns.



- Stay at least two mowing widths (7 feet) away from any ditches, drop-offs, or water. Front caster wheels can rotate when mower is stopped, even with brake applied, and cause mower to go over the edge or into the water.

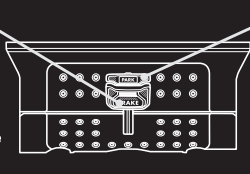
Etiquetar a español provisto. Llame a 1-800-860-4050 para su sustitución.

6



### BRAKE PEDAL

- Push pedal to ENGAGE BRAKE
- The BRAKE PEDAL is used for slowing and stopping the mower in an emergency situation or parking. ALWAYS use the control levers to slow the unit.



### PARKING BRAKE

- Push foot over top of BRAKE pedal and down to engage PARKING BRAKE (P)
- Press BRAKE PEDAL to disengage PARKING BRAKE function

**NOTE :** Les étiquettes de la tondeuse peuvent comprendre d'autres traductions ou des versions de traductions distinctes des étiquettes peuvent être fournies. Les étiquettes traduites peuvent être apposées sur les étiquettes collées sur la tondeuse. Toujours nettoyer et sécher la surface à coller avant d'apposer les étiquettes pour permettre une adhérence optimale.

# CARACTÉRISTIQUES

## CARACTÉRISTIQUES DU PRODUIT

Versions matérielles / logicielles :

Moteur de la plateforme .....PM177-07B, PM177-08B/GXDH0116

Moteur d'entraînement ..... YPK1002.01, YPK1002.02/  
ZTR20181130V1.6

Moteur ..... 48 V c.c.

Réglages de la hauteur.... 38,1 mm à 114,3 mm (1-1/2 po à 4-1/2 po)

Grandeur des roues.....330,2 mm (13 po) en avant

457,2 mm (18 po) en arrière

Dimension du plateau..... 106,7 cm (42 po)

Rayon de braquage..... 0

Vitesse max. : Marche avant..... 11,3 km/h (7 mi/h)

Tonte (lames activées) et  
conduite à basse vitesse..... 8 km/h (5 mi/h)

Marche arrière ..... 6,4 km/h (4 mi/h)

Pression des pneus à froid..... 19 psi (131 kpa) en avant

18 psi (124,1 kpa) en arrière

Alimentation du chargeur ..... 120 V, c.a. seulement, 60 Hz

Temps de charge..... Pendant la nuit

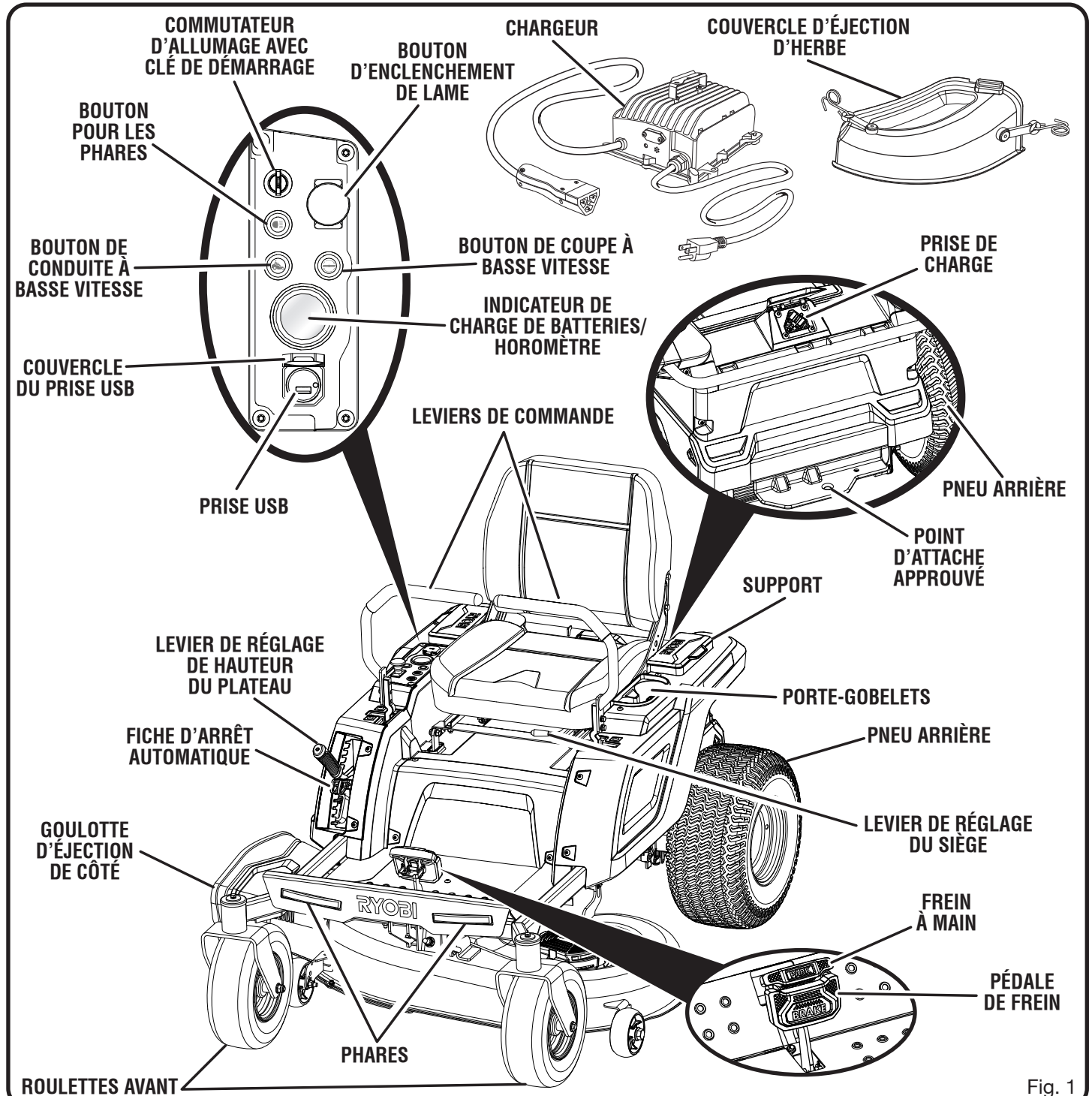


Fig. 1

# CARACTÉRISTIQUES

## APPRENEZ À CONNAÎTRE VOTRE TONDEUSE

Voir la figure 1.

L'utilisation sécuritaire de ce produit nécessite une compréhension de l'information sur le produit et dans le manuel de l'utilisation ainsi que la connaissance du projet à effectuer. Avant d'utiliser ce produit, familiarisez-vous avec toutes les fonctions d'utilisation et les règles de sécurité.

## INDICATEUR DE CHARGE DE BATTERIES/ HOROMÈTRE

L'indicateur de charge de batteries affiche la quantité d'énergie résiduelle de la batterie. L'horomètre totalise le nombre d'heures d'utilisation de la tondeuse (clé en position « ON » [démarrer]) à des fins d'entretien.

## BOUTON D'ENCLENCHEMENT DE LAME

Tirer le bouton d'enclenchement de lame pour mettre les lames de coupe de la tondeuse en marche. Enfoncer le bouton pour arrêter les lames de coupe.

## PÉDALE DE FREIN

La pédale de frein est utilisée pour freiner la tondeuse en situation d'urgence ou en stationnement.

## CHARGEUR

Le chargeur de la tondeuse est équipé d'un crochet de suspension avec trou piriforme pratique afin de réduire l'espace de rangement. Lorsque suspendu par les fentes du trou piriforme, utiliser au moins une autre vis dans le trou de la bride d'assemblage pour fixer en place. Toujours monter de manière à ce que l'indicateur d'état à DEL du chargeur soit visible pendant la charge.

## LEVIERS DE COMMANDE

Les leviers de commande servent à diriger la tondeuse, ainsi qu'à démarrer et à l'arrêter en fonctionnement normal.

## LEVIER DE RÉGLAGE DE HAUTEUR DU PLATEAU

Le levier de réglage de hauteur du plateau est utilisé pour lever ou abaisser le plateau de coupe. Placer la fiche d'arrêt automatique à la hauteur de coupe normalement souhaitée pour faciliter l'utilisation lors de la tonte.

## BOUTON DES PHARES

Allumer ou éteindre les phares en utilisant le bouton des phares.

## BOUTON DE COUPE À BASSE VITESSE

Appuyer sur le bouton de coupe à basse vitesse pour prolonger la durée de vie de la batterie lorsque la charge de coupe requise est faible.

## BOUTON DE CONDUITE À BASSE VITESSE

Appuyer sur le bouton de conduite à basse vitesse pour limiter la vitesse de la tondeuse lorsqu'on travaille dans des espaces restreints ou sur des pentes. Ce paramètre est également utile pour les utilisateurs inexpérimentés lorsqu'ils commencent à apprendre à utiliser la tondeuse.

## SUPPORT POUR DISPOSITIF

Le support pour dispositif offre un endroit pratique pour ranger le téléphone cellulaire ou le lecteur MP3.

## COUVERCLE D'ÉJECTION D'HERBE

La tondeuse est équipée d'un couvercle d'éjection d'herbe qui recouvre l'ouverture de décharge latérale, et qui permet de couper et de recouper l'herbe pour produire des brins plus fins.

## FREIN À MAIN

Utiliser le frein à main pour immobiliser la tondeuse en position de freinage.

## COMMUTATEUR D'ALLUMAGE AVEC CLÉ DE DÉMARRAGE

Le commutateur d'allumage est utilisé pour démarrer ou arrêter le moteur de la tondeuse. La clé de démarrage doit être insérée afin de faire fonctionner le commutateur. Lorsque la clé est à la position des accessoires, le commutateur d'allumage est aussi utilisé pour alimenter les accessoires de tondeuse offerts en option et approuvés par le fabricant.

## LEVIER DE RÉGLAGE DU SIÈGE

Utiliser le levier de réglage du siège pour déplacer le siège à la position désirée.

## PRISE USB

Le prise USB pour la charge offre une puissance de charge de 5 VCC et jusqu'à 2 ampères pour charger un téléphone cellulaire, un lecteur MP3 ou d'autres dispositifs USB. Consulter le manuel d'utilisation du dispositif à utiliser pour connaître ses exigences électriques.

Brancher une extrémité d'un câble USB (non fourni) à votre appareil, l'autre extrémité à la prise USB pour commencer la charge du dispositif.

### AVIS :

Tenter de charger des dispositifs ayant des caractéristiques électriques supérieures à 2 ampères risque d'endommager le prise USB pour la charge et/ou le tondeuse. Toujours fermer le couvercle USB lorsqu'on ne l'utilise pas pour éviter que des débris restent coincés dans le port.

**NOTE :** La prise USB est seulement sous tension lorsque la clé de démarrage est à la position « ON » (démarrer).



### AVERTISSEMENT :

Ne jamais utiliser d'écouteurs ni aucun autre dispositif électronique comme un téléphone intelligent ou une tablette pendant la manœuvre de la tondeuse. Une manœuvre distraite représente un risque d'accident et de causer des blessures graves ou mortelles à l'opérateur et aux spectateurs.

# UTILISATION

## **⚠ AVERTISSEMENT :**

Ne laissez pas la familiarité tirée d'une utilisation fréquente de ce type de produit atténuer votre vigilance. Souvenez-vous qu'une fraction de seconde d'inattention suffit à infliger des blessures graves.

## **⚠ AVERTISSEMENT :**

Toujours porter une protection oculaire munie d'écrans latéraux certifiée conforme à la norme ANSI Z87.1. Si cette précaution n'est pas prise, des objets peuvent être projetés dans les yeux et causer des lésions graves.

## **⚠ AVERTISSEMENT :**

Toujours arrêter le moteur de la tondeuse et s'assurer que les lames sont immobiles et retirer le clé de démarrage de la tondeuse au moment d'assembler des pièces, d'effectuer des réglages et de procéder au nettoyage, ou lorsque la tondeuse n'est pas utilisée. Cela permet d'empêcher un démarrage accidentel pouvant entraîner des blessures graves.

## **⚠ AVERTISSEMENT :**

Inspecter le produit afin de s'assurer qu'aucune pièce et les lames est endommagée ou si elle est usée de façon inégale ou excessive. Le fait d'utiliser la tondeuse si des pièces sont manquantes ou endommagées peut entraîner des blessures graves.

## **AVIS :**

Avant chaque utilisation, inspecter au complet le produit afin de s'assurer qu'aucune pièce (vis, écrous, boulons, chapeaux, etc.) n'est endommagée, manquante ou desserrée. Serrer solidement toutes les pièces de fixation et les chapeaux et ne pas utiliser le produit tant que toutes les pièces manquantes ou endommagées n'ont pas été remplacées. Pour obtenir de l'aide, veuillez communiquer avec le service à la clientèle ou un centre de réparations agréé.

## APPLICATIONS

Vous pouvez utiliser cet outil pour les tâches énumérées ci-dessous :

- Tondaison de votre pelouse

## INSTALLATION DE LE COUVERCLE D'ÉJECTION D'HERBE

Voir la figure 2.

La tondeuse est configurée pour l'éjection de côté au moment de l'expédition. Pour utiliser l'opération de déchiquetage :

- Soulever la goulotte d'éjection de côté.
- Placez le couvercle d'éjection sur la languette du châssis de la tondeuse.
- Connecter les languettes du couvercle d'éjection pour les deux points de montage de chaque côté du châssis du plateau de la tondeuse.
- Retirer la goulotte d'éjection de côté.

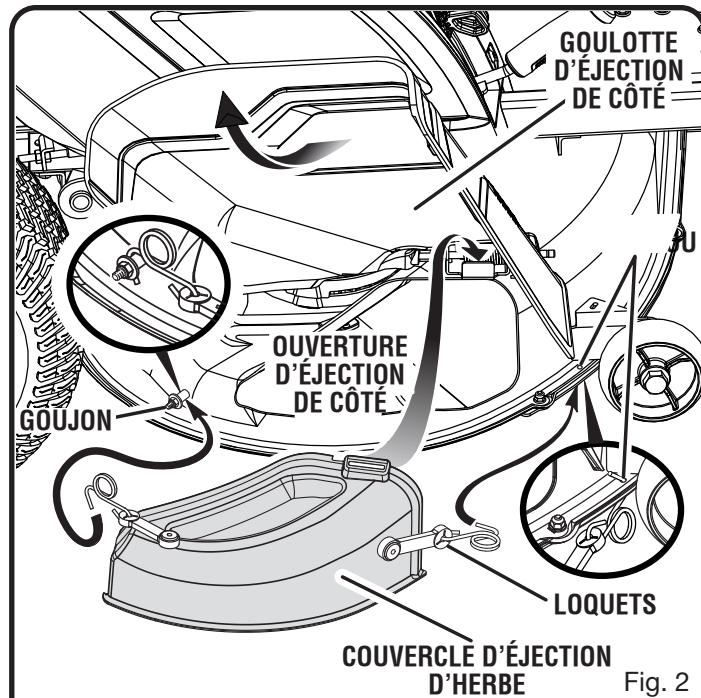


Fig. 2

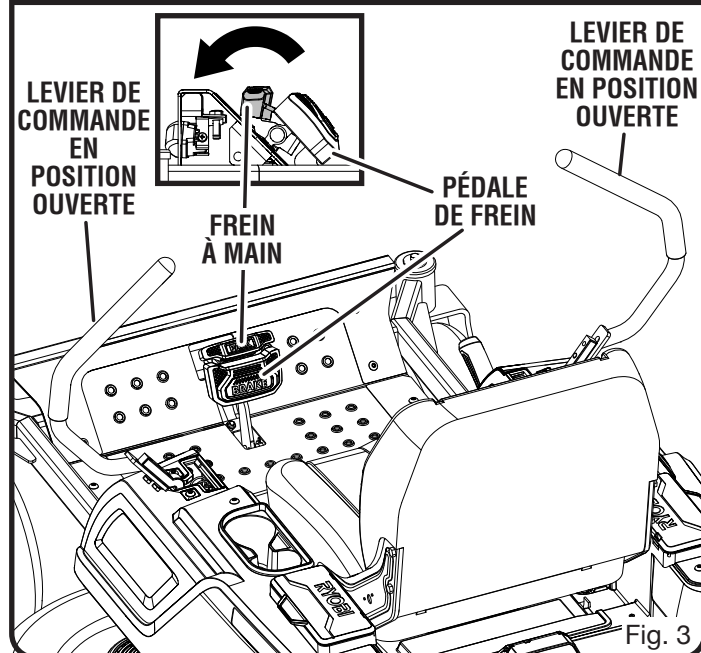


Fig. 3

## **⚠ AVERTISSEMENT :**

S'assurer que la goulotte d'éjection de côté se ferme complètement lorsque terminé. Ne pas prendre cette précaution peut causer des blessures graves.

## AJUSTEMENT DU FREIN À MAIN

Voir la figure 3.

Pour ajuster le frein à main :

- Mettre les leviers de commande en position ouverte.
- Enfoncer complètement et maintenir la pédale de frein au fond.

# UTILISATION

- Appuyer avec le pied et appuyer à fond sur le frein de stationnement avec vos orteils.
- Relâcher la pédale de frein.
- **Pour déclencher le frein à main :** enfoncer puis relâcher la pédale de frein.

## **⚠ AVERTISSEMENT :**

Ne jamais laisser la tondeuse sans surveillance pendant que le moteur tourne ou quand la clé se trouve dans l'interrupteur d'alimentation. Vérifiez que le frein à main est réglé et la clé a été supprimée. Ne pas enclencher le frein à main représente un risque de déplacement de la tondeuse et laisser la clé permettra une utilisation sans permission et causer des blessures graves.

## RÉGLAGE DU SIÈGE

Voir la figure 4.

Ajuster la position du siège de manière à assurer un contact ferme avec la pédale de frein avant de manœuvrer la tondeuse.

### Pour déplacer le siège :

- Tourner la clé de démarrage à la position « OFF » (arrêt) et enclencher le frein à main.
- S'asseoir sur le siège et soulever le levier de réglage du siège.
- Tout en tenant le levier, glisser le siège vers la position désirée.
- Relâcher le levier et s'assurer que le siège est bloqué à cette position avant de manœuvrer la tondeuse.

## **⚠ AVERTISSEMENT :**

S'assurer que le siège est bloqué à cette position avant de manœuvrer la tondeuse. Un siège n'étant pas bloqué représente un risque de changement de vitesse et une perte de contrôle de la tondeuse par l'opérateur en plus de causer des blessures graves ou mortelles possibles.

## RÉGLAGE DE HAUTEUR DU PLATEAU DE COUPE

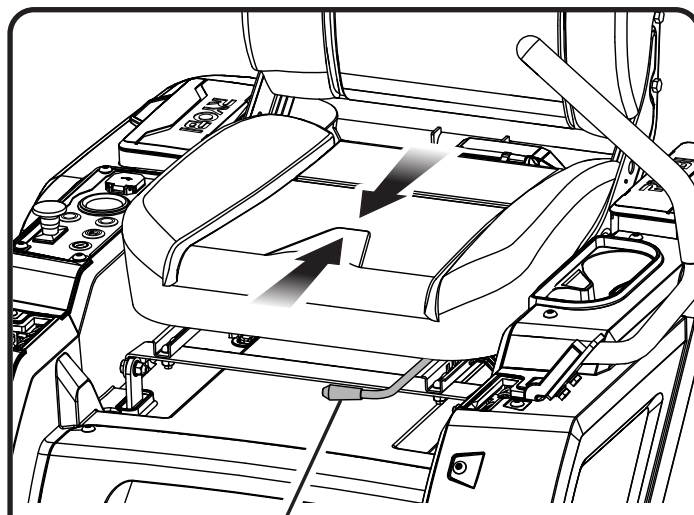
Voir la figure 5.

Avant d'utiliser la tondeuse, soulever le plateau de coupe à la meilleure position de coupe de la pelouse à tondre.

**NOTE :** Pour éviter le dégazonnement de la pelouse des endroits élevés, les roues du plateau de coupe devraient être positionnées à environ 12,7 mm (1/2 po) du sol lorsque la hauteur de coupe de la tondeuse est réglée. Au moment de l'expédition, les roues du plateau de coupe sont réglées à 38,1 mm (1,5 po). Selon la hauteur de coupe désirée, la hauteur des roues du plateau de coupe peut être modifiée. Pour ce faire, consulter la section **Réglage des roues du plateau de coupe** au chapitre *Entretien* de ce manuel.

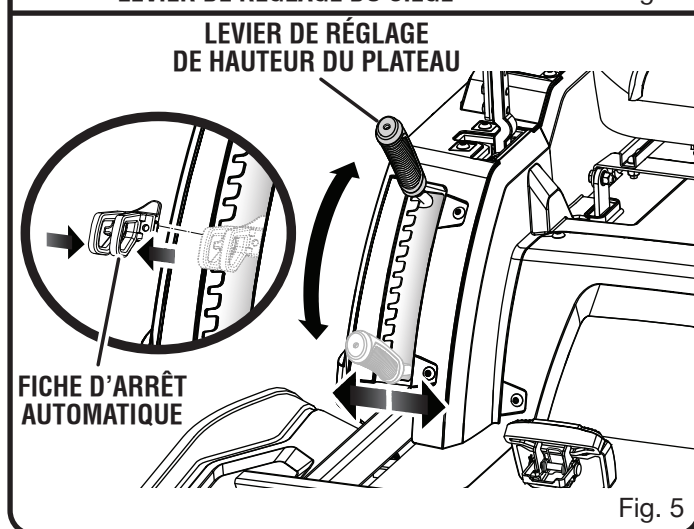
### Pour régler la hauteur du plateau de coupe :

- Arrêter le moteur de la tondeuse et arrêter les lames.
- Tourner la clé de démarrage à la position « OFF » (arrêt) et enclencher le frein à main.
- Pour soulever le plateau de coupe, prendre le levier de réglage de hauteur du plateau de coupe, pousser vers la



LEVIER DE RÉGLAGE DU SIÈGE

Fig. 4



LEVIER DE RÉGLAGE DE HAUTEUR DU PLATEAU

FICHE D'ARRÊT AUTOMATIQUE

Fig. 5

gauche pour dégager de la fente, déplacer vers l'arrière de la tondeuse puis pousser vers la droite et dans la fente pour immobiliser le levier.

- Pour abaisser le plateau de coupe, prendre le levier de réglage de hauteur du plateau de coupe, pousser vers la gauche pour dégager de la fente, déplacer vers l'avant de la tondeuse puis pousser vers la droite et dans la fente pour immobiliser le levier.

## **⚠ ATTENTION :**

Tenir fermement le levier de réglage de hauteur du plateau de coupe pendant le réglage de hauteur du plateau et ne le relâcher que s'il est bien enclenché dans la fente désirée. Un relâchement trop rapide du levier représente un risque de pincement ou d'attraction de la main de l'opérateur.

**NOTE :** Une fois qu'on a déterminé la hauteur de coupe appropriée pour la pelouse, installer la fiche d'arrêt automatique juste en dessous de cette position pour revenir facilement à la hauteur de tonte correcte à chaque fois.

# UTILISATION

## POUR CHARGER LA TONDEUSE

Voir les figures 6 et 7.

### **⚠ AVERTISSEMENT :**

Ne charger les batteries de la tondeuse qu'à l'intérieur, dans un endroit sec. Ne pas charger la batterie ou exposer la tondeuse à gazon à la pluie ou dans des endroits humides. De l'eau et des liquides peuvent entrer en contact avec les composants de la tondeuse et la batterie et endommager les connexions et les composants électroniques, ce qui peut provoquer un court-circuit, un risque accru d'incendie et des blessures graves.

Les batteries de la tondeuse doivent être chargées pendant la nuit avant la première utilisation. Regarder l'indicateur de charge de batteries pour s'assurer que la charge complète des batteries est atteinte.

### **Pour obtenir des résultats optimaux :**

- Ne pas charger dans des endroits où la température est extrêmement chaude ou froide.
- Ne jamais charger une batterie gelée.
- Monter ou placer le chargeur dans un endroit bien aéré et idéalement en position horizontale et les ailettes de refroidissement dirigées vers l'extérieur.

### **Pour charger :**

- S'assurer que les connexions du chargeur et de la tondeuse sont propres, sans saleté ni débris.
- Insérez la fiche du chargeur dans la prise en les connectant bien sur tondeuse.
- Brancher le chargeur à l'alimentation électrique est du c.a. domestique normal de 120 V, 60 Hz. La charge des batteries devrait commencer automatiquement.

**NOTE :** Le chargeur est équipé d'une fiche comportant une lame de mise à la terre et doit être branchée dans une prise avec mise à la terre correspondante installée et mise à la terre adéquatement et conforme aux lois et règlements locaux. Ne pas utiliser de fiche à deux broches, d'adaptateur et ne pas modifier la fiche fournie. Si la fiche ne s'insère pas dans la prise, faire installer une prise adéquate par un électricien qualifié.

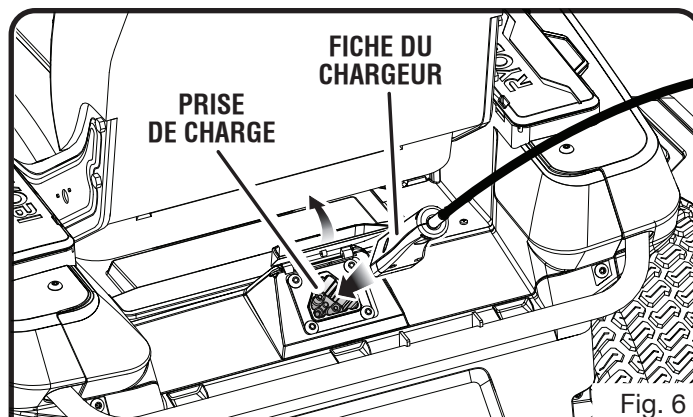


Fig. 6

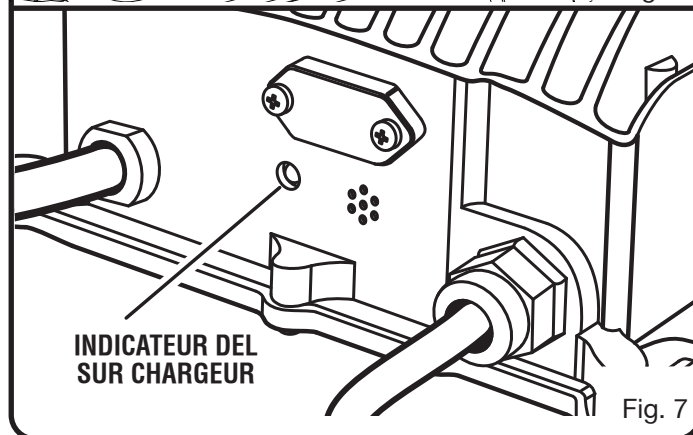


Fig. 7

- Lorsque sous tension et branché à la tondeuse, le témoin DEL du chargeur est allumé pour indiquer l'état du chargeur. Consulter le tableau suivant pour déterminer la signification des indices des DEL.
- Avant de commencer la tonte, débrancher le chargeur de la source d'alimentation puis débrancher le chargeur de la tondeuse.

### **AVIS :**

Toujours mettre le commutateur à la position OFF (ARRÊT) et retirer la clé dès que la tonte est terminée.

INDICATEUR DEL	ÉTAT DE BATTERIE/CHARGEUR
Clignotement vert rapide	Charge des batteries inférieure à 80 %.
Clignotement vert long	Charge des batteries supérieure à 80 %.
Vert fixe	Charge des batteries terminée.
Les codes DEL suivants indiquent une condition d'erreur du chargeur. Pour savoir comment annuler un code d'erreur, consulter les étapes du chapitre <i>Dépannage</i> à la fin de ce manuel.	
Un témoin rouge s'allume brièvement puis s'éteint	S'assurer que le chargeur est alimenté par un courant alternatif.
Un clignotement rouge	Défaut de mise sous tension
Deux clignotements rouges	Défaut de tension de la batterie
Trois clignotements rouges	Temps mort de la charge de la batterie : Temps de charge dépassé
Quatre clignotements rouges	Défaut de la batterie : Temps de charge dépassé
Cinq clignotements rouges	Délai d'attente causé par la température
Six clignotements rouges	Défaut du chargeur



# UTILISATION

## AVIS :

Toujours brancher la tondeuse au chargeur lorsque l'appareil n'est pas utilisé. S'il est impossible de laisser la tondeuse branchée au chargeur, s'assurer de charger les batteries au moins une fois par mois.

## SYSTÈME DE VERROUILLAGE DE SÉCURITÉ

Voir la figure 9.

Cette tondeuse est équipée d'un système de verrouillage de sécurité pour protéger l'opérateur qui arrête les lames dès que l'opérateur quitte le siège pendant que les lames tournent. Vérifier le système avant chaque utilisation pour s'assurer de son bon état de fonctionnement.

### Pour vérifier :

- Stationner la tondeuse sur une surface à niveau.
- Enclencher le frein à main.
- S'assurer que les leviers de commande sont au point mort et que le bouton d'enclenchement de lame est enfoncé.
- Insérer la clé de démarrage et tourner à la position « ON » (démarrer).
- Soulever le bouton d'enclenchement de lame pour activer les lames.
- Se soulever légèrement du siège sans descendre de la tondeuse.

Les lames doivent s'arrêter en 5 secondes. Si les lames ne s'arrêtent pas, communiquer avec le service à la clientèle. Ne pas faire fonctionner la tondeuse tant que le système de verrouillage de sécurité n'est pas réparé.

## APPRENDRE À CONDUIRE LA TONDEUSE

Voir les figures 10 à 12.

L'utilisation d'une tondeuse à braquage zéro est différente de celle d'une tondeuse autoportée standard. Les tondeuses à braquage zéro ont des roues motrices, qui fonctionnent indépendamment en fonction de la position des leviers de commande. Avant de commencer à tondre le gazon, nous encourageons vivement de rechercher un espace grand, plat et dégagé pour s'entraîner à utiliser la tondeuse à l'aide des instructions ci-dessous. Une fois qu'on peut effectuer chacune de ces manœuvres de manière confortable et fiable, on est prêt à commencer à tondre.

## ⚠ AVERTISSEMENT :

Éloigner toutes personnes de la zone de coupe avant de commencer la tonte. Si une personne pénètre dans la zone de coupe, arrêter immédiatement et attendre que les personnes quittent la zone avant de poursuivre la tonte.

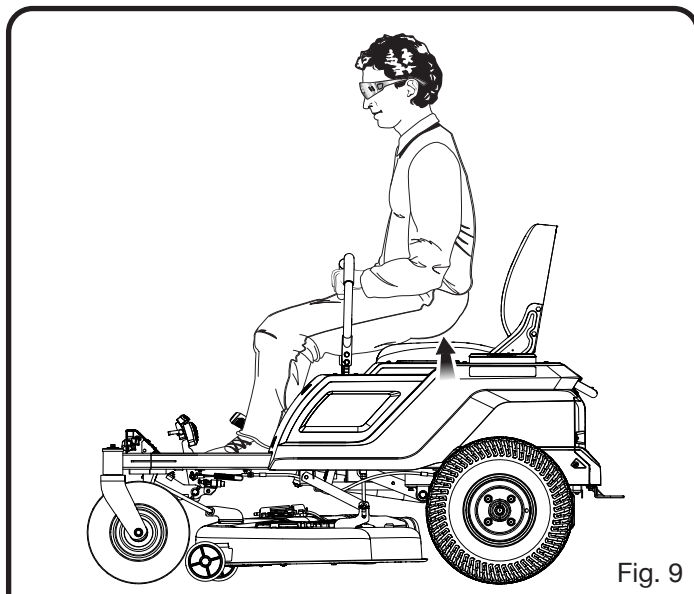


Fig. 9

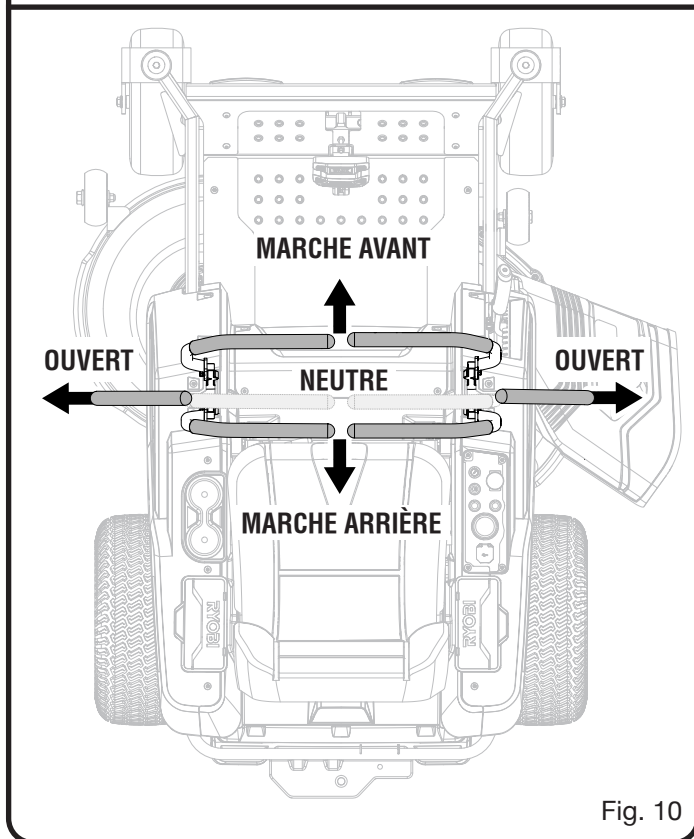


Fig. 10

## ⚠ AVERTISSEMENT :

Éviter les démarrages, arrêts et virages brusques, ainsi que la vitesse excessive, en particulier lorsqu'on apprend à conduire la tondeuse. La tondeuse peut tourner rapidement, ce qui peut entraîner une perte de contrôle et entraîner la mort, des blessures graves ou des dommages à la tondeuse. Activer la fonction de conduite à basse vitesse pour limiter la vitesse disponible jusqu'à ce qu'on soit totalement capable de faire fonctionner la tondeuse dans toutes les situations.

# UTILISATION

Les deux leviers de commande servent à contrôler la direction de la tondeuse, ainsi que le démarrage et l'arrêt.

## ⚠ AVERTISSEMENT :

Garder les deux mains sur les leviers de commande à tout moment lorsque la tondeuse est en mouvement. Ne pas relâcher les leviers de commande pour ralentir ou arrêter la tondeuse. Le relâchement des leviers de commande lorsque la tondeuse est en mouvement peut entraîner une perte de contrôle et entraîner la mort, des blessures graves ou des dommages à la tondeuse.

## AVIS :

Lorsque le mot « ensemble » est utilisé dans les instructions qui suivent, on signifie que les leviers de commande gauche et droit doivent être égaux ou alignés quelle que soit la position décrite. Si l'un des leviers se trouve dans une position différente, le résultat obtenu sera différent de celui décrit.

- Lorsqu'on s'assoit ou qu'on se lève du siège de la tondeuse, les deux leviers de commande doivent être en position **ouverte** (éloignés du siège dans les deux sens).
- Une fois qu'on est assis et prêt à commencer, appuyer sur la pédale de frein puis la relâcher pour s'assurer que le frein de stationnement est desserré.
- Insérer la clé de démarrage et tourner à la position « ON » (démarrer).
- Tirer les deux leviers complètement vers le siège. Il s'agit de la position **neutre** utilisée pour démarrer la tondeuse et également pour l'arrêter progressivement.
- Appuyer sur le bouton de conduite à basse vitesse pour l'activer.
- Pousser ensemble les deux leviers de commande pour faire avancer la tondeuse **vers l'avant** en ligne droite. Plus les leviers sont poussés vers l'avant, plus la tondeuse ira vite. Pour ralentir, ramener les deux leviers vers la position neutre.
- Tirer les deux leviers de commande vers l'arrière (avant la position neutre) afin de conduire la tondeuse en **marche arrière** en ligne droite. Plus les leviers de commande sont tirés vers l'arrière, plus la tondeuse ira vite. Pour ralentir, pousser ensemble les deux leviers vers la position neutre.
- Pour effectuer des virages, les leviers de commande ne seront plus déplacés ensemble. Un levier de commande sera devant ou derrière l'autre, en fonction de la direction empruntée (en avant ou en arrière) et du sens de rotation souhaité. Si on conduit en marche avant, le levier de commande en position arrière contrôlera la direction du virage. Si on conduit en marche arrière, le levier en position avant contrôlera la direction du virage.

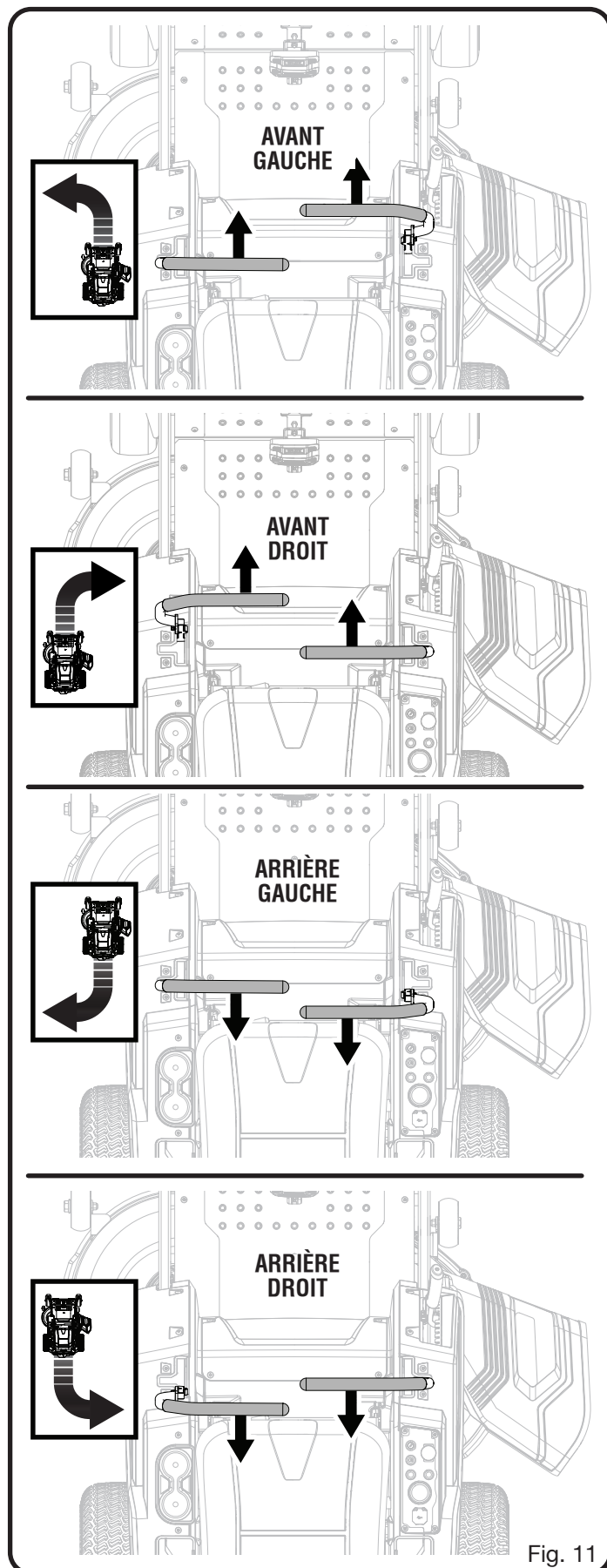


Fig. 11

# UTILISATION

- Pour effectuer un virage à zéro, ralentir, mais s'assurer que les roues arrière sont toujours en mouvement. Ensuite, déplacer les leviers de commande dans les directions opposées, un après le neutre et un avant le neutre. La position d'un levier détermine la direction du virage.

**NOTE :** Effectuer des virages à zéro à basse vitesse pour éviter d'endommager la pelouse.

## UTILISATION DE LA TONDEUSE

Voir les figures 9 à 14.

### ⚠ AVERTISSEMENT :

Éloigner toutes personnes de la zone de coupe avant de commencer la tonte. Si une personne pénètre dans la zone de coupe, arrêter immédiatement attendre que les personnes quittent la zone avant de poursuivre la tonte.

#### Avant de démarrer la tondeuse :

- S'assurer qu'aucun enfant, spectateur ou animal n'est présent.
- Enlever tout objet de la zone de coupe pouvant être projeté par les lames de la tondeuse.
- Vérifier le fonctionnement des freins.
- Vérifier la pression des pneus.
- S'assurer que toutes les pièces sont serrées.
- S'assurer que tous les protecteurs sont installés et fonctionnent correctement.
- Nettoyer les débris sur la tondeuse.
- Vérifier le système de verrouillage de sécurité.
- Régler le siège à la position désirée.
- Vérifier le niveau de charge de la batterie.

### AVIS :

Les lames s'arrêteront automatiquement dès que le niveau de charge de la batterie atteint la zone rouge sur l'indicateur de charge de la batterie. Retourner immédiatement pour charger. Continuer à tondre lorsque le niveau de charge de la batterie est dans la zone rouge peut rendre le retour difficile pour la charge.

**NOTE :** Si la tondeuse se retrouve trop éloignée du chargeur, il sera nécessaire de placer les leviers de commande au neutre et de pousser la tondeuse jusqu'à l'endroit où devra être effectuée la charge.

#### Pour tondre :

- Lever le plateau de coupe de la tondeuse jusqu'à sa plus haute position.
- S'assurer que les leviers de commande sont en position ouverte.
- Insérer la clé de démarrage et tourner à la position « ON » (démarrer).
- Relâcher le frein à main.
- Placer les leviers de commande en position neutre, puis conduire jusqu'à l'endroit de la tonte à effectuer.

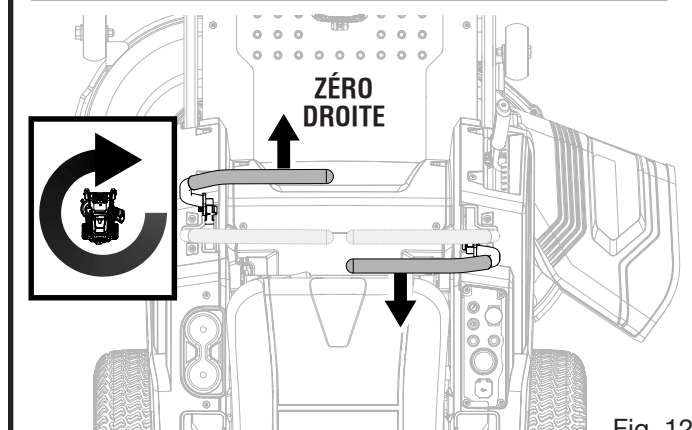
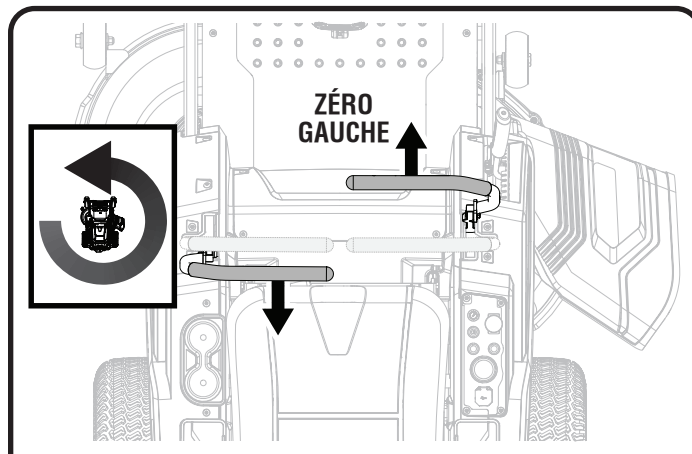


Fig. 12

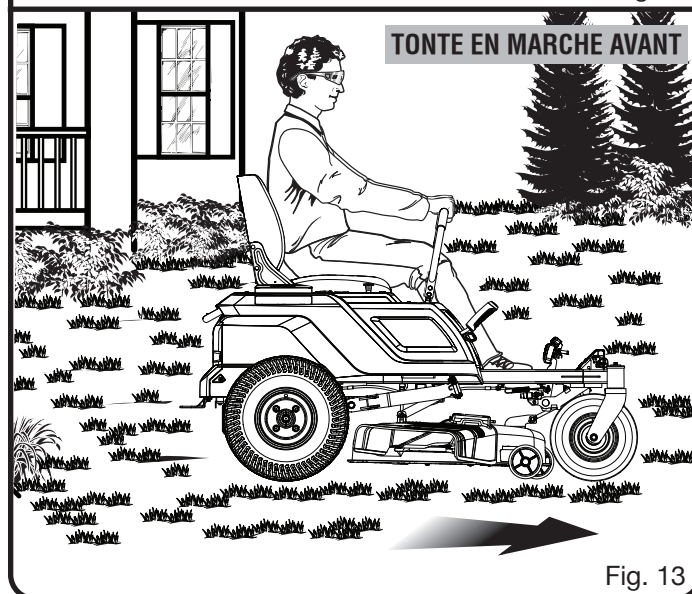


Fig. 13

# UTILISATION

- Arrêter le moteur de la tondeuse, tourner la clé à la position « OFF » (arrêt) et enclencher le frein à main.
- Abaisser le plateau de coupe à la hauteur désirée.
- Tourner la clé de démarrage à la position « ON » (démarrer) puis relâcher le frein à main.
- Soulever le bouton d'enclenchement de lame et tondre selon le cas.

## **! DANGER :**

Assurer au moins deux largeurs de tonte (2,13 m ou 7 pi) entre vous et les fossés, les terrains dénivelés, ou l'eau. Les roues pivotantes avant peuvent pivoter lorsque la tondeuse est arrêtée, même avec le frein serré, et faire en sorte que la tondeuse passe par-dessus bord ou dans l'eau, entraînant la mort ou des blessures graves.



## **! AVERTISSEMENT :**

La prudence est de mise lors du passage de la tondeuse sur des allées de pierre ou voies d'accès. Avant de traverser, arrêter les lames et lever le plateau de coupe à la position la plus haute afin d'éviter toute possibilité de ricochet. Conduire lentement pour éviter la perte de traction et de contrôle.

## **! AVERTISSEMENT :**

Ne pas tondre en marche arrière sauf si vraiment nécessaire. Toujours regarder vers le bas et derrière vous avant et pendant la marche arrière et s'assurer que les enfants, spectateurs et animaux sont absents de la zone. Se rappeler qu'une fraction de seconde d'inattention suffit pour causer des blessures graves ou mortelles.

## **! AVERTISSEMENT :**

Être spécialement attentif avant et pendant la marche arrière et en tournant lorsque la trousse d'ensachage est installée, car cette dernière limite le champ de vision. Toujours regarder attentivement derrière et par terre pour éviter les petits enfants, spectateurs et animaux et déplacer lentement la tondeuse pour éviter le basculement accidentel et les blessures graves ou mortelles.



## **! AVERTISSEMENT :**

Ne pas essayer de changer de direction soudainement entre l'avant et l'arrière lorsque la tondeuse est en mouvement. Toujours effectuer un arrêt complet avant de changer la direction de la tondeuse pour éviter toute perte de contrôle et éviter des blessures graves, voire mortelles.

### **Lorsque la tonte est terminée :**

- Arrêter la tondeuse sur une surface plane et à niveau en tirant les leviers de commande ensemble vers la position neutre. Ne pas arrêter la tondeuse sur une pente.
- Enfoncer le bouton d'enclenchement de lame pour arrêter les lames.
- Mettre les leviers de commande en position ouverte.
- Enclencher le frein à main.
- Tourner la clé de démarrage à la position « OFF » (arrêt).
- Retirer la clé de démarrage si on laisse la tondeuse sans surveillance, même pour une courte période.

## **! AVERTISSEMENT :**

Si la tondeuse émet un bip sonore après votre départ de le siège, vérifiez que le frein à main est réglé et la clé a été supprimée. Ne pas enclencher le frein à main représente un risque de déplacement de la tondeuse et laisser la clé permettra une utilisation sans permission et causer des blessures graves.

# UTILISATION

## CONSEILS DE TONDAISON

Voir la figure 15.

- Garder les lames de tondeuse affûtées.
- Assurez-vous que la pelouse est libre des pierres, des branches, des fils, jouets, arbres produisant des noix, branches d'arbre et d'autres objets qui pourraient endommager le moteur ou les lames de la tondeuse. Ne pas faire passer la tondeuse par-dessus les bornes de propriété ou autres poteaux en métal. De tels objets pourraient endommager la lame ou être accidentellement projetés par la tondeuse dans toutes directions et causer des blessures graves à l'opérateur ou aux autres.
- Pour une pelouse en santé, coupez toujours un-tiers ou moins de la longueur totale de l'herbe.
- Lors de la tonte de grands espaces, commencer en tournant vers la droite de manière à ce que l'herbe coupée soit éjectée loin des buissons, clôtures, allées, voies d'accès, etc. Après un ou deux tours, faire des allers-retours à travers la pelouse, en tournant sur les bords de l'herbe déjà tondue.

### AVIS :

Pour éviter d'endommager la pelouse, utiliser une vitesse lente en tournant plutôt que de virer dans un angle restreint.

- Quand vous coupez de l'herbe épaisse, tondez plus lentement pour permettre à l'outil à couper plus efficacement et à éjecter les brins de façon appropriée.
- Ne coupez pas de l'herbe humide. La tonte sur des surfaces mouillées peut entraîner une perte de contrôle et de l'herbe humide elle collera au-dessous du châssis et empêche l'ensachage ou le déchiquetage appropriés des brins d'herbe.
- De l'herbe nouvelle ou épaisse peut nécessiter une coupe plus étroite or augmentez la hauteur de coupe.
- S'assurer que le plateau de coupe et la goulotte d'éjection de côté ne sont pas obstrués. Retirer les brins d'herbe coupés, feuilles, saletés et autres débris accumulés avant et après chaque utilisation. Ne pas nettoyer à l'aide d'un boyau d'arrosage.

**NOTE :** Toujours arrêter la tondeuse, permettre aux lames de s'arrêter complètement et retirer la clé de démarrage avant de nettoyer le dessous de la tondeuse.

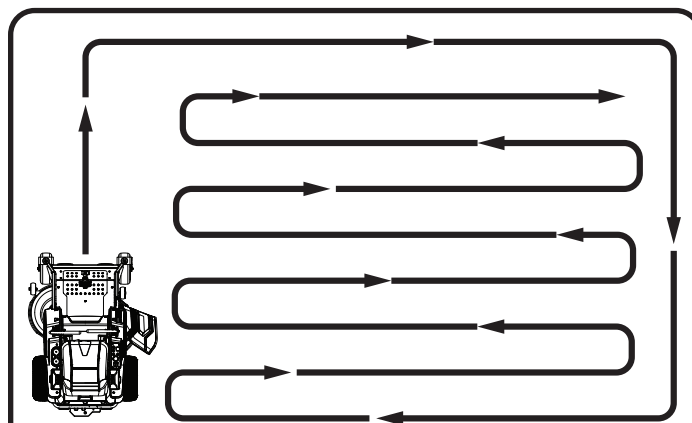


Fig. 15

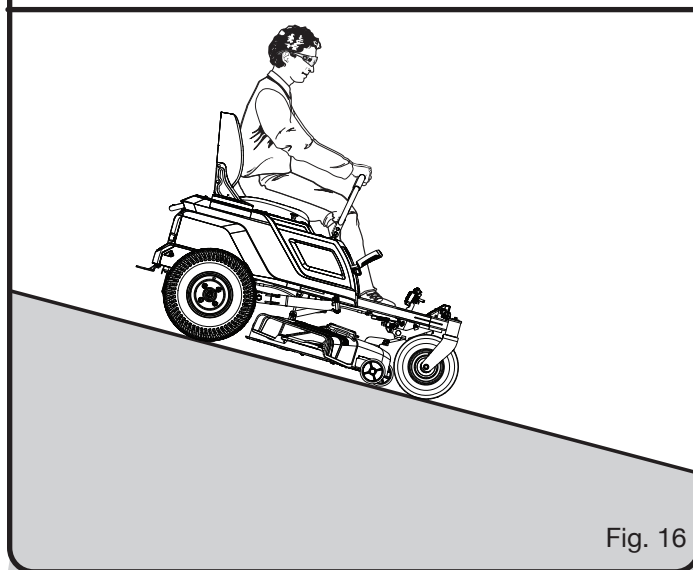


Fig. 16

## UTILISATION SUR LES PENTES

Voir la figure 16.

### ⚠ DANGER :

Les pentes représentent un facteur majeur des accidents causés par la perte de contrôle ou le renversement et sont cause la mort ou des blessures graves. L'utilisation de la tondeuse sur les pentes nécessite des précautions spéciales. Si vous n'êtes pas confortable sur une pente, ne la tondez pas. Pour votre sécurité, n'essayez pas de tondre des pentes raides de plus de 15 degrés. Ne pas utiliser en marche arrière dans une pente, à moins que la tondeuse s'arrête en montant. Dans cette situation, arrêter les lames, regarder derrière et reculer lentement. Copier ou découper l'illustration du guide de pente plus loin dans ce manuel et l'utiliser pour déterminer si la pente est trop raide pour être tondue en toute sécurité.

- Tondre les pentes de haut en bas et non pas à l'horizontale.
- Ne pas tondre une pelouse humide. L'humidité de la pelouse peut causer la perte de traction des pneus ou le glissement sur les pentes même si les freins fonctionnent correctement.

# UTILISATION

- Faites attention aux trous, ornières, roches, objets cachés ou bosses qui peuvent provoquer un glissement ou une chute. De l'herbe haute peut cacher des obstacles. Enlevez tous les objets tels que les roches, les racines, etc. qui peuvent être projetés par la lame ou qui pourraient provoquer une chute.
- Ne tondez pas près des dépressions, des fossés ou des berges.
- Conduire lentement et ne pas effectuer de changements de vitesse ou de direction brusques.
- Éviter les arrêts sur les pentes le plus souvent possible. Lorsqu'un arrêt est inévitable, s'assurer d'enclencher le frein à main. Au moment de poursuivre la tonte, démarrer en utilisant la vitesse la plus basse possible. Si un virage est nécessaire, exercer une extrême prudence lors du changement de direction et toujours effectuer le virage au pied de la pente.
- Ne jamais tenter de stabiliser la tondeuse sur une pente en mettant votre pied au sol pendant l'opération.
- Si la trousse d'ensachage offerte en option est utilisée, exercer une prudence extrême et opérer la tondeuse lentement lors de la tonte de pelouse sur des pentes parce que la trousse d'ensachage représente un risque de déstabilisation de la tondeuse.
- Toujours utiliser les leviers de commande et les freins lors de la descente d'une pente. Ne pas utiliser la position « N » (neutre) pour laisser la tondeuse descendre la pente.
- Dès que la perte de traction des pneus survient pendant la tonte sur une pente, arrêter les lames et descendre lentement et prudemment la pente en ligne droite.
- Si la tondeuse arrête pendant qu'on monte une pente, arrêter les lames, regarder derrière soi et reculer lentement.

## TRANSPORT DE LA TONDEUSE

Voir la figure 17.

### **AVERTISSEMENT :**

Faire très attention lors du chargement ou du déchargement de la machine sur une remorque. Appuyer sur le bouton de conduite à basse vitesse et déplacer avec précaution les leviers de commande au besoin pour contrôler la vitesse. Toujours reculer sur la remorque lors du chargement. Lors du chargement ou du déchargement de la tondeuse, éviter de dépasser l'angle d'opération de 15° recommandé. Si vous ne suivez pas ces instructions, vous pourriez perdre le contrôle de la machine, ce qui peut causer des blessures graves, des dommages ou même la mort.

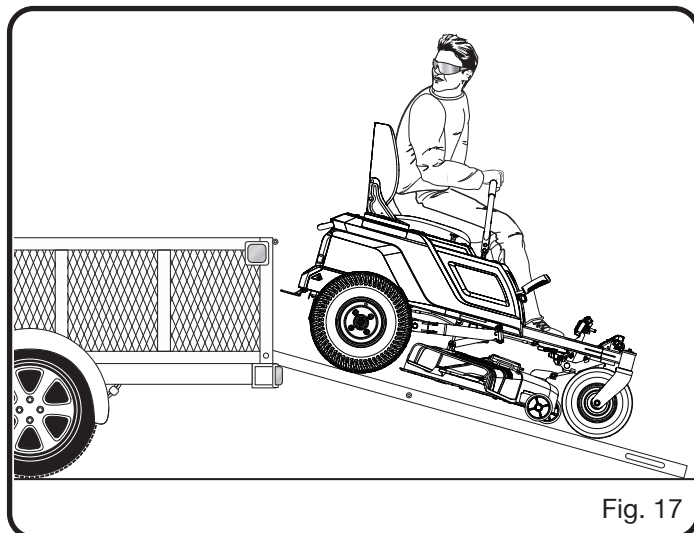


Fig. 17

### **AVERTISSEMENT :**

Être prudent lors du chargement ou du déchargement de la tondeuse à une remorque. S'assurer que le plateau de coupe est levé à la position la plus haute de manière à éviter son coincement sur la rampe. Les roues de la tondeuse peuvent se retrouver à l'extérieur de la rampe ou de la remorque et causer le pivotement ou le basculement de la tondeuse ce qui représente un risque d'écrasement pouvant causer des blessures graves ou mortelles.

- Stationner la tondeuse sur une surface à niveau.
- Lever le plateau de coupe à la position la plus haute.
- Positionner et sécuriser la rampe à la remorque selon les instructions du fabricant.

**NOTE :** Nous recommandons l'utilisation d'une rampe de chargement pleine largeur ayant au moins 304,8 mm (1 pi) de largeur de plus que la tondeuse afin de minimiser le risque de sortie des roues hors de la rampe.

- Conduire lentement la tondeuse en arrière sur la rampe et dans la remorque.
- Abaisser complètement le plateau de coupe.
- Enclencher le frein à main.
- Arrêter le moteur de la tondeuse et retirer la clé.
- Arrimer fermement la tondeuse avec des courroies ou des câbles pour éviter tout mouvement pendant le transport.

### **AVERTISSEMENT :**

Pour éviter le démarrage ou d'un mouvement accidentel pouvant causer des blessures graves, toujours retirer la clé de démarrage et enclencher le frein à main lorsque du transport de la tondeuse.

# ENTRETIEN

## **⚠ AVERTISSEMENT :**

Lors de réparation du produit, arrêter le moteur de la tondeuse sur une surface à niveau, attendre que les lames s'arrêtent complètement, enclencher le frein à main puis retirer la clé de démarrage afin d'éviter un démarrage accidentel et des blessures graves.

## **⚠ AVERTISSEMENT :**

Toujours porter une protection oculaire munie d'écrans latéraux certifiée conforme à la norme ANSI Z87.1. Si cette précaution n'est pas prise, des objets peuvent être projetés dans les yeux et causer des lésions graves.

## **⚠ AVERTISSEMENT :**

Utiliser exclusivement des pièces autorisées pour les réparations. L'usage de toute autre pièce pourrait créer une situation dangereuse ou endommager le produit.

## **⚠ AVERTISSEMENT :**

Respectez strictement toutes les spécifications de couplage de la clé dynamométrique. Ne pas le faire pourrait causer de graves blessures corporelles.

## **AVIS :**

Inspecter périodiquement au complet le produit afin de s'assurer qu'aucune pièce (vis, écrous, boulons, chapeaux, etc.) n'est endommagée, manquante ou desserrée. Serrer solidement toutes les pièces de fixation et les chapeaux et ne pas utiliser le produit tant que toutes les pièces manquantes ou endommagées n'ont pas été remplacées. Pour obtenir de l'aide, veuillez communiquer avec le Service à la clientèle ou un centre de réparations agréé.

## **ENTRETIEN GÉNÉRAL**

Évitez d'utiliser des solvants quand vous nettoyez des pièces en plastique. La plupart des plastiques résistent mal aux plusieurs types de solvants de commerce et peuvent être endommagés par leur utilisation. Utilisez des chiffons secs pour enlever la saleté, la poussière, l'huile, la graisse, etc.

## **⚠ AVERTISSEMENT :**

Ne permettez jamais à ce que les liquides pour freins, la gasoline, les produits à base de pétrole, les huiles dégriffantes, etc entrent en contact avec les pièces en plastique. Les produits chimiques peuvent endommager, affaiblir ou détruire le plastique ce qui peut résulter en des blessures graves.

Enlevez toute accumulation d'herbe ou des feuilles sur ou autour du couvercle du moteur. Essayez la tondeuse avec un chiffon sec à l'occasion. N'utilisez pas de l'eau.

## **RÉGLAGES DES ROUES DU PLATEAU DE COUPE**

Voir la figure 18.

Les roues du plateau de coupe doivent être positionnées à environ 12,7 mm (1/2 po) au-dessus du sol lorsque la hauteur de coupe désirée de la tondeuse est réglée. Ceci permettra de minimiser le dégazonnement de la pelouse dans la plupart des situations. Au moment de l'expédition, les roues sont réglées à la position A.

### **Pour régler les roues du plateau de coupe :**

- Stationner la tondeuse sur une surface à niveau et enclencher le frein à main.
- Arrêter le moteur et retirer la clé de démarrage. Laisser les lames s'arrêter complètement.
- Soulever le plateau de coupe au réglage de hauteur désiré.
- Retirer l'écrou et le boulon fixant la roue au plateau de coupe.
- Déplacer la roue vers la position désirée. Déplacer la roue vers la position désirée. Les trous de positions disponibles sont 38,1 mm (1,5 po) (A), 44,5 mm (1,75 po) (B) et 57,2 mm (2,25 po) (C).
- Réinstaller le boulon et l'écrou et serrer fermement. Serrer le boulon à un couple de 5,4 à 8,1 Nm (4 à 6 pi-lb).
- Répéter pour les autres roues du plateau de coupe en s'assurant que toutes les roues sont installées à la même position.

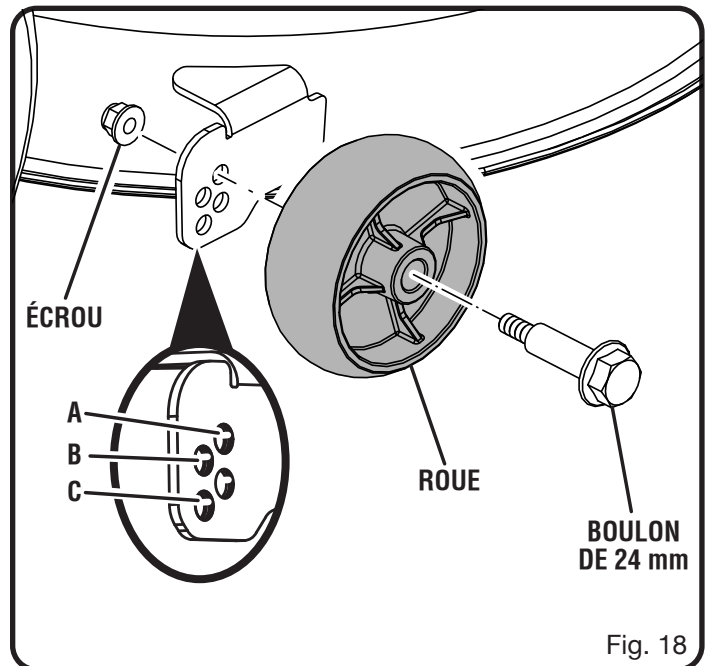


Fig. 18

# ENTRETIEN

## REPLACEMENT DE LES LAMES

Voir les figures 19 et 20.

### ⚠ AVERTISSEMENT :

Utiliser seulement les lames de rechange et les boulons de lame autorisés par le fabricant de la tondeuse autoportée. Des lames ou boulons pour lames non autorisés pourraient briser et causer un délogement de la lame pouvant provoquer des blessures graves ou des dommages à la tondeuse.

**NOTE :** Assurez-vous que toutes les pièces soient replacées dans l'ordre exact dans lequel elles ont été enlevées.

- S'assurer que les leviers de commande sont en position ouverte et que le bouton d'enclenchement de lame est enfoncé.
- Arrêtez le moteur, retirez la clé de démarrage et enclencher le frein à main.
- Lever le plateau de coupe à la position la plus haute pour pouvoir accéder aux lames.

**NOTE :** Si nécessaire, soulever la tondeuse en la plaçant sur un pont élévateur ou en utilisant un vérin de levage et des chandelles afin d'avoir accès aux lames.

### ⚠ AVERTISSEMENT :

Lorsque la tondeuse est soulevée afin de pouvoir accéder aux lames, s'assurer que la tondeuse est correctement immobilisée et que le frein à main est enclenché avant d'effectuer le changement de lames. Ne pas prendre cette précaution représente un risque de chute de la tondeuse et causer possiblement des blessures graves ou mortelles.

- Mettez une pièce de bois entre la lame et le châssis de la tondeuse pour empêcher la lame de tourner.
- Desserrez l'écrou de la lame en le tournant dans le sens antihoraire (par rapport au bas de la tondeuse) en utilisant une clé de 15 mm ou une douille (non fournies).
- Enlevez l'écrou de lame, la rondelle élastique et la lame.
- Placez la nouvelle lame sur l'arbre contre les tiges du lame correspondant. S'assurer que la lame est bien appuyée sur l'arbre. Celui-ci doit passer dans le trou central de la lame et les deux tiges pour lame doivent s'insérer dans leur trou respectif sur la lame. Assurez-vous que les bouts incurvés soient orientés en direction du châssis de la tondeuse et non en direction du sol. Une fois bien appuyée, les côtés droits doivent être alignés et la lame devrait être à plat contre les tiges du lame.
- Remettez la rondelle élastique, puis vissez l'écrou de lame sur l'arbre et serrez à main.
- Serrez l'écrou de lame sens horaire en utilisant une clé dynamométrique (non fournie) pour s'assurer que l'écrou est bien serré. Le couple de serrage recommandé pour l'écrou de lame est de 600-650 po-lb.

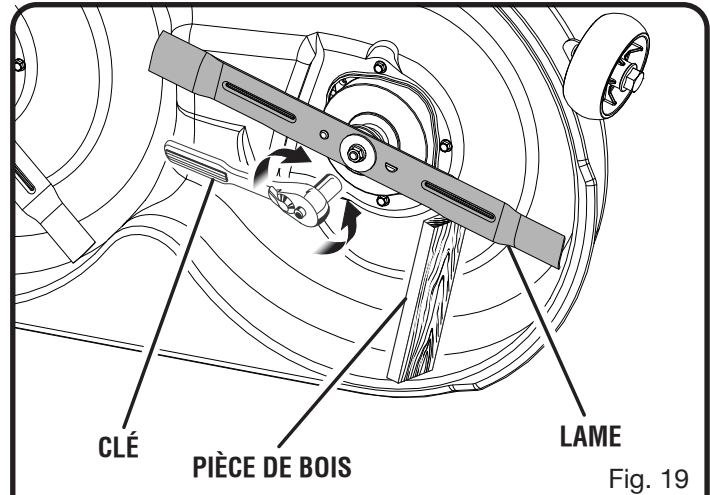


Fig. 19

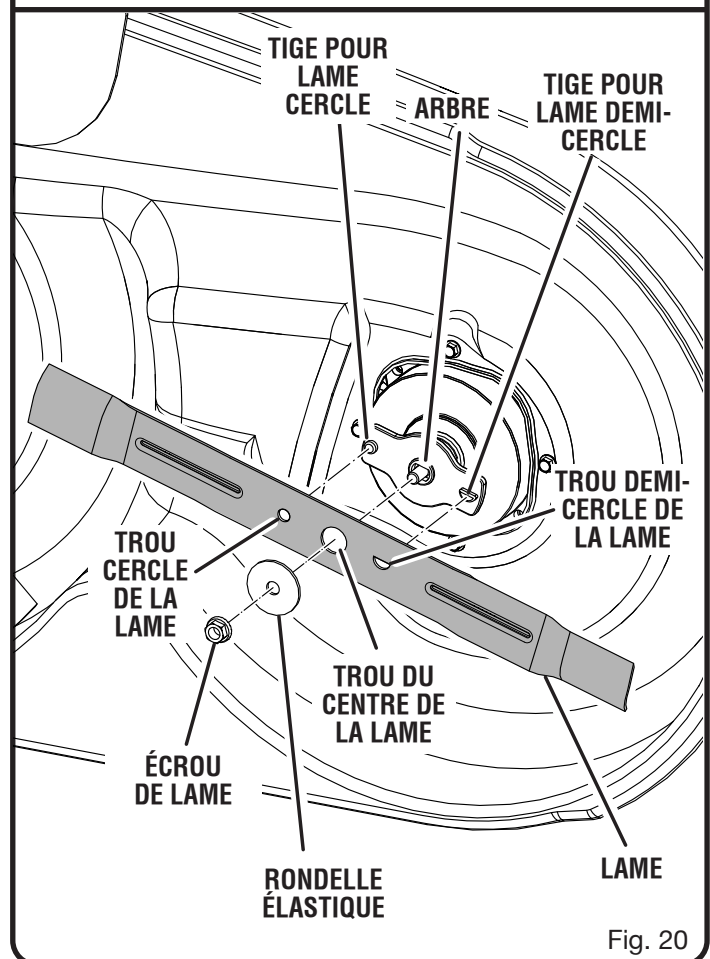


Fig. 20

### ⚠ AVERTISSEMENT :

S'assurer que la lame est assise correctement et que l'écrou de lame est serré au couple indiqué ci-dessus. Ne pas fixer correctement la lame peut provoquer un relâchement de cette dernière et représenter un risque de blessure grave.

- Répéter avec la deuxième lame, le cas échéant.



# ENTRETIEN

## ENTRETIEN DES PNEUS

Ce tondeuse est muni de pneus sans chambre à air de la taille et du type indiqués ci-dessous :

	Avant	Arrière
Taille	13x5x6	18x8,5x8

### Pression d'air des pneus

Vérifiez la pression d'air dans tous les pneus avant utilisation. Une mauvaise pression des pneus affectera la manipulation, la réponse de la direction, la traction, la durée de vie des pneus, la coupe de niveau et le confort de l'opérateur. Assurez-vous que les pneus sont gonflés conformément aux pressions illustrées ci-dessous.

**NOTE : La pression des pneus devrait être mesurée ou ajustée seulement lorsque les pneus sont froids.**

Pression recommandée	Avant	Arrière
	19 psi (131 kpa)	18 psi (124,1 kpa)

### **AVERTISSEMENT :**

Vérifiez la pression des pneus avec prudence pendant que vous gonflez les pneus. Un pneu qui est trop gonflé pourrait éclater, causant de graves blessures corporelles.

### **AVERTISSEMENT :**

Il est très important de maintenir la bonne pression d'air dans les pneus. Très peu de pression pourrait permettre au pneu de tourner en dehors de la jante de roue. Trop de pression pourrait causer l'éclatement du pneu. Ne pas maintenir la bonne pression d'air dans les pneus pourrait causer des problèmes au fonctionnement et à la stabilité du tondeuse, entraînant ainsi la mort ou de graves blessures corporelles.

## RÉPARATION DES PNEUS

Si une fuite ou une crevaison se produit en raison d'une perforation, le pneu doit être réparé avec une rustine de type bouchon. Si le dommage est le résultat d'une coupure, ou si la perforation ne peut être réparée à l'aide d'un bouchon, le pneu devrait alors être remplacé.

## REMPACEMENT DES PNEUS

Lorsque les pneus sont usés, la traction du tondeuse sera diminuée, ce qui augmentera les risques d'accident. Les pneus devraient être remplacés lorsque la profondeur sur le filetage est de 4 mm (0,16 po) ou moins, ou dès qu'un pneu est endommagé. Utilisez toujours des pneus de remplacement identiques. L'utilisation de pneus inappropriés sur le tondeuse pourrait causer une perte de contrôle, causer de graves blessures corporelles.

Faites remplacer les pneus par un centre de réparations agréé ou par un atelier de réparation de pneus qualifiés.

## RÉGLAGE DES FREINS

Voir la figure 21.

### **DANGER :**

S'assurer que les freins fonctionnent correctement à tout moment et avant chaque utilisation. Une mauvaise fonction de freinage peut entraîner une perte de contrôle en cas d'urgence et entraîner la mort ou des blessures graves.

Être capable d'arrêter correctement une tondeuse est un élément critique pour effectuer une tonte sécuritaire. Si l'on remarque que la distance de freinage de la tondeuse est plus longue avant son arrêt complet lorsque l'on appuie sur la pédale de frein, ceci indique que les freins doivent être réglés.

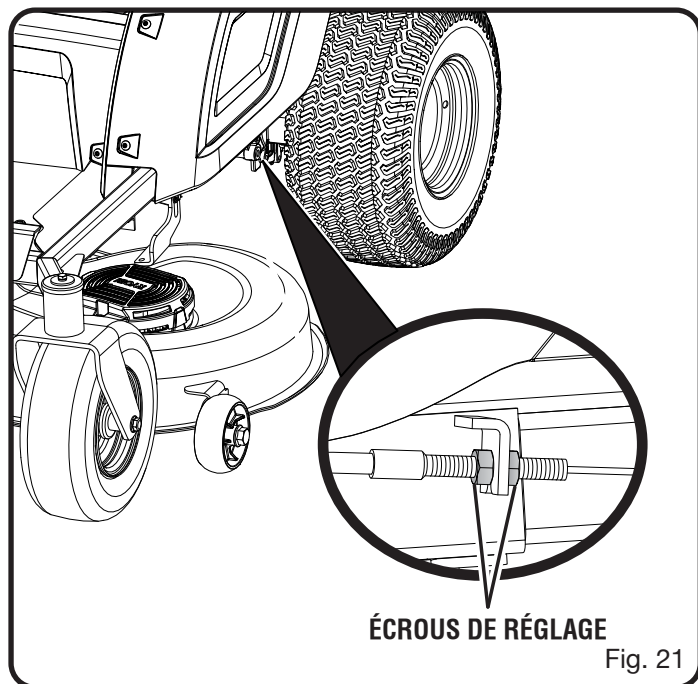
### Pour vérifier :

- Stationner la tondeuse sur une surface à niveau et enclencher le frein à main.
- Mettre les leviers de commande en position ouverte.
- Se tenir debout derrière la tondeuse et tenter de la pousser vers l'avant. Si les roues arrière tournent, ceci indique que les freins doivent être serrés.

### Pour serrer :

- Localiser les écrous de réglage des freins le long du cadre devant chacune des roues arrière.
- Tourner l'écrou de réglage sur 1/4 de tour vers la droite puis essayer de pousser à nouveau la tondeuse.
- Continuer de tourner chaque écrou sur 1/4 de tour et en effectuant un essai jusqu'à ce que la tondeuse refuse d'avancer lorsqu'on la pousse.

Après le dernier réglage, vérifier les freins en conduisant la tondeuse à une vitesse normale et sur une surface plane pour s'assurer que la tondeuse s'arrête rapidement lorsque la pédale de frein est enfoncée.



ÉCROUS DE RÉGLAGE

Fig. 21

## MISE À NIVEAU DU PLATEAU DE COUPE

Voir les figures 22 et 23.

Si la tonte de la pelouse semble inégale après l'avoir tondue, le plateau de coupe doit être mis à niveau. Avant de décider si la mise à niveau du plateau est nécessaire, s'assurer que les pneus sont gonflés correctement et selon la pression recommandée pour la tonte. Des pneus trop gonflés ou insuffisamment gonflés peuvent nuire à l'apparence de la coupe alors qu'un gonflage adéquat des pneus peut s'avérer être la solution pour résoudre le problème de coupe inégale.

**NOTE :** Toujours vérifier l'alignement côte à côte et ajuster au besoin avant de mesurer ou ajuster de l'avant vers l'arrière.

### Avant de commencer :

- S'assurer que les leviers de commande sont en position ouverte et que le bouton d'enclenchement de la lame est enfoncé.
- Arrêter le moteur, laisser les lames s'arrêter complètement, retirer la clé de démarrage et enclencher le frein à main.
- Lever le plateau de coupe de la tondeuse jusqu'à la position la plus haute.

### Pour effectuer l'ajustement côte à côte :

- Positionner les lames de manière à ce que les pointes soient dirigées vers les côtés de la tondeuse.
- Depuis l'extérieur de l'arête de chaque lame, mesurer la distance entre le côté de l'arête inférieure de la lame et le sol. Un ajustement côte à côte sera nécessaire si la distance des deux côtés est supérieure à 3,1 mm (1/8 po).
- Sur le côté à ajuster, dévisser le contre-écrou, comme illustré.

- Tourner les écrous de réglage vers la droite pour soulever ou vers la gauche pour abaisser le côté du plateau de coupe. Chaque tour complet de l'écrou de réglage modifiera la hauteur du plateau d'environ 4,8 mm (3/16 po).

**NOTE :** Pour soulever le côté, il faudra d'abord tourner l'écrou de réglage supérieur. Pour abaisser, tourner d'abord l'écrou de réglage inférieur.

- Mesurer à nouveau. Continuer d'ajuster et de mesurer jusqu'à ce que la différence de distance de chaque côté soit de 3,2 mm (1/8 po) ou moins.
- Procéder à l'ajustement avant-arrière ou serrer fermement les contre-écrous.

### Pour effectuer l'ajustement avant-arrière :

**NOTE :** Toujours effectuer la mise à niveau côte à côte du plateau avant d'effectuer l'ajustement avant-arrière.

- Positionner la lame vers le côté le plus près de la goulotte d'éjection et de manière à ce que les extrémités soient dirigées de l'avant à l'arrière de la tondeuse.

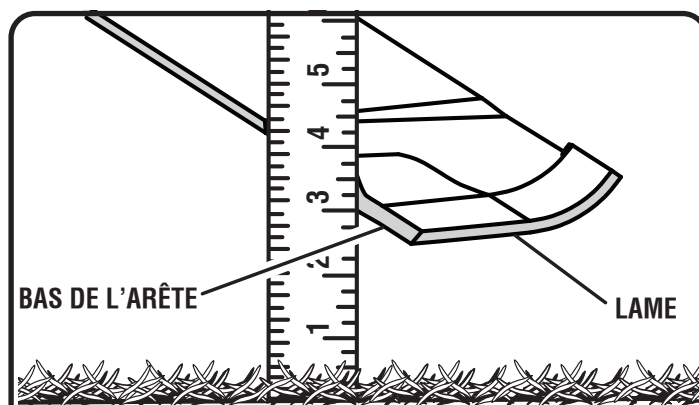


Fig. 22

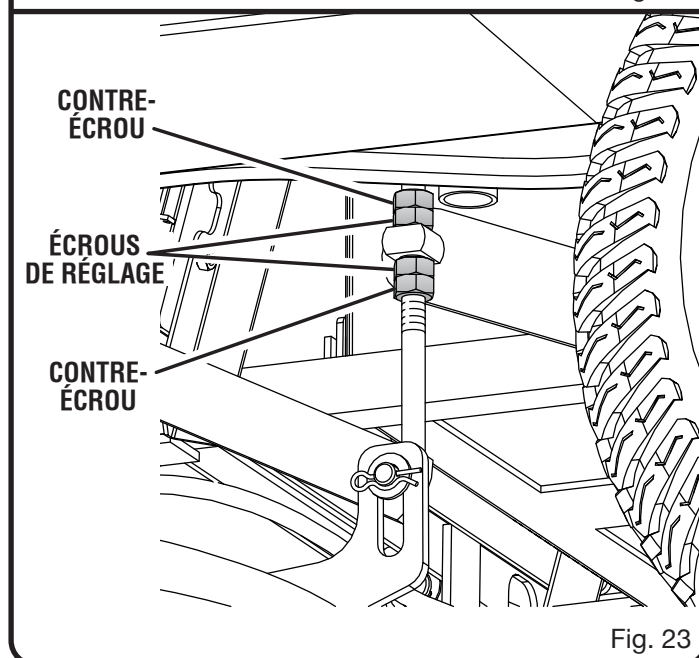


Fig. 23

- Mesurer la distance entre la pointe de la lame et le sol. Pour obtenir des résultats optimaux, le devant de la pointe de la lame devrait être de 3,2 à 9,5 mm (1/8 à 3/8 po) plus bas que la pointe arrière.
  - Si un ajustement avant-arrière est requis, tourner les écrous de réglage vers la droite pour lever ou vers la gauche pour abaisser l'arrière du plateau de coupe. Chaque tour complet de l'écrou de réglage modifiera la hauteur du plateau d'environ 3,2 mm (1/8 po).
- NOTE :** S'assurer de tourner les écrous de réglage des deux côtés sur une distance égale afin d'éviter de modifier à nouveau la mesure côte à côte.
- Mesurer à nouveau pour s'assurer que le pointe avant est maintenant de 3,2 à 9,5 mm (1/8 à 3/8 po) plus bas que la pointe arrière. Si ce n'est pas le cas, continuer les ajustements et les mesures jusqu'à ce que cette distance soit atteinte.
  - Sans tourner les écrous de réglage, serrer fermement les contre-écrous pour immobiliser les écrous de réglage.

## REPLACEMENT DES BATTERIES

Voir les figures 24 à 31.

**NOTE :** Utiliser seulement des batteries au plomb pour tondeuse électrique autoportée de RYOBI de 75 Ah (LPC12-75) ou de 100 Ah (LPC12-100).

Cette tondeuse fonctionne avec quatre batteries de 12 V raccordées à un circuit en série. Lors du remplacement d'une ou plusieurs batteries, toujours remplacer par une batterie de même type, tension et capacité.

### **⚠ AVERTISSEMENT :**

Porter une protection oculaire munie d'écrans latéraux certifiée conforme à la norme ANSI Z87.1 et des gants de caoutchouc pour remplacer les batteries. Si cette précaution n'est pas prise, des objets peuvent être projetés dans les yeux et causer des blessures graves.

Ne pas ouvrir ni endommager les batteries. La fuite d'électrolyte est corrosive et peut causer des blessures aux yeux ou à la peau. L'électrolyte est toxique lorsqu'avalé.

Ne pas jeter les batteries dans un feu. Les batteries pourraient exploser. Consulter les règlements locaux pour connaître les dispositions spéciales de mise au rebut.

Ne pas exposer la batterie à la pluie ni à l'humidité. De l'eau et des liquides peuvent entrer en contact avec la batterie et endommager les branchements et les composants électroniques, ce qui peut provoquer un court-circuit, un risque d'incendie accru et des blessures graves.

Lorsque les batteries ne sont pas utilisées, les garder éloignées des objets métalliques comme des trombones, pièces de monnaie, clés, clous, vis et autres petits objets métalliques pour éviter qu'ils établissent une connexion entre les bornes. Le court-circuitage des bornes peut causer des brûlures ou un incendie.

Prendre soin de manipuler les batteries de manière à éviter le court-circuitage avec des matières conductrices comme les bagues, bracelets et clés. La batterie ou le conducteur peut surchauffer et causer des brûlures graves.

### **AVIS :**

Ne jamais raccorder des batteries différentes et de formats différents sur un circuit en série. Ceci endommagera éventuellement les batteries et possiblement la tondeuse.

- Stationner la tondeuse sur une surface à niveau, arrêter le moteur, retirer la clé de démarrage et enclencher le frein à main.
- Mettre les leviers de commande en position ouverte.
- Ajuster le siège complètement vers l'arrière, puis relever le siège de la tondeuse.
- Appuyer sur les languettes du couvercle du compartiment de câblage. Soulever le couvercle pour pouvoir accéder au compartiment situé en dessous.
- Débrancher la fiche à raccord rapide de la batterie. Cette fiche raccorde les batteries à la tondeuse.
- Retirer et mettre de côté le boulon à tête hexagonale fixant le support de batterie en place.

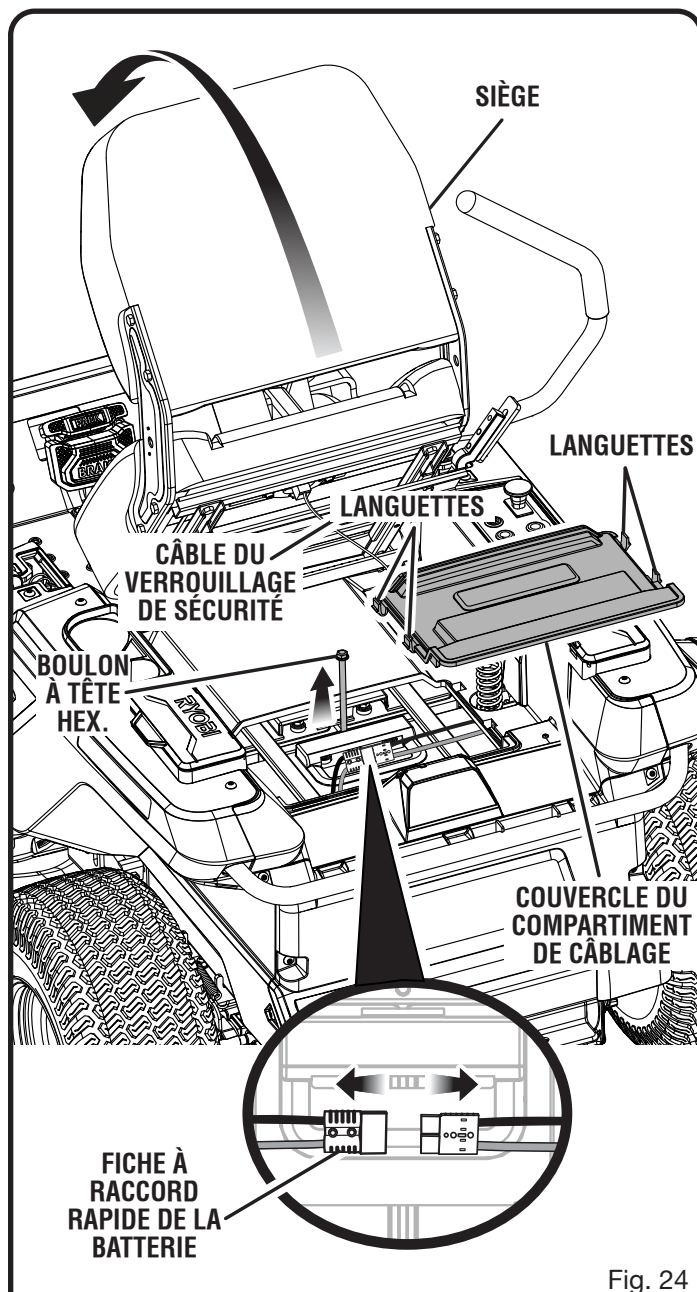


Fig. 24

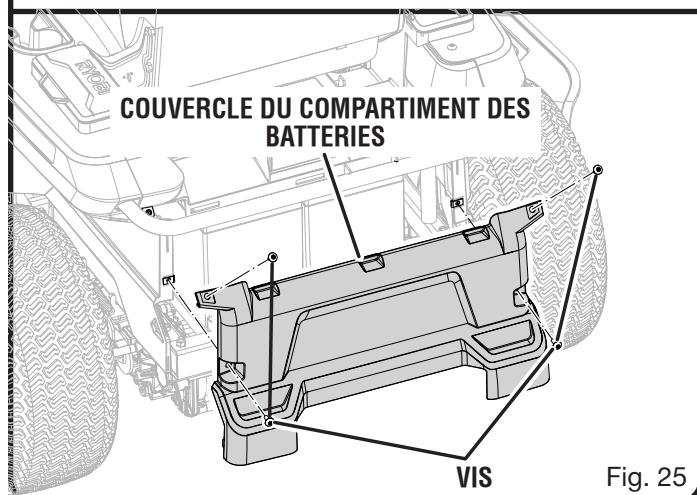


Fig. 25

# ENTRETIEN

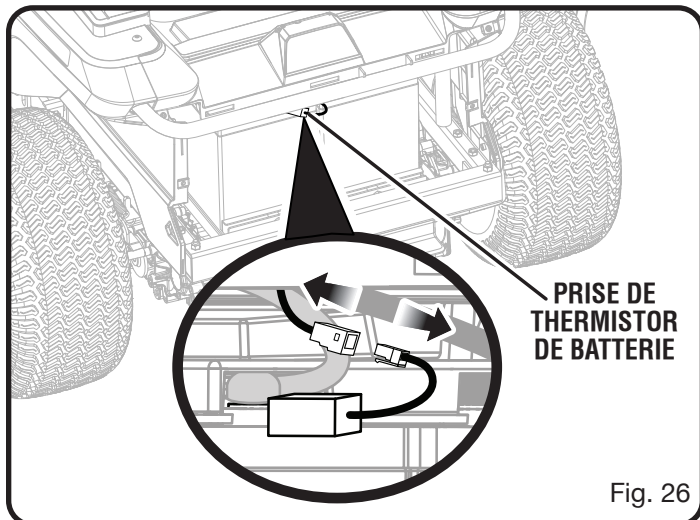


Fig. 26

- Retirer les quatre vis à tête hex fixant le couvercle du compartiment de câblage de la batterie en place. Retirer le couvercle et le mettre à l'écart.
- Débrancher la fiche de thermistor de la batterie. Cette fiche raccorde les batteries au port de chargement.
- Retirer et mettre de côté la traverse arrière en enlevant les boulons à tête hexagonale et les écrous illustrés.
- Retirer les entretoises, les rondelles plates, les rondelles frein et les boulon à tête hex. fixant les languettes du support de batterie.
- Déployer complètement le support de batterie et faire reposer la partie extérieure sur la tondeuse sur une surface à niveau pouvant supporter au poids minimum de 135,9 kg (300 lb).

## ⚠ AVERTISSEMENT :

Le support de batterie est très lourd et son déploiement peut exiger l'aide de deux personnes. Nous recommandons l'utilisation d'une table élévatrice (ou un outil semblable) afin de déployer le support. Un déploiement inadéquat et un mauvais soutien du support de batterie représentent un risque de blessures graves et de bris de la tondeuse.

## ⚠ AVERTISSEMENT :

Une fuite de batterie peut se produire si cette dernière est utilisée de façon intensive ou sous des températures extrêmes. Laver immédiatement tout liquide en contact avec la peau avec de l'eau et du savon. En cas d'éclaboussure dans les yeux, les rincer à l'eau fraîche pendant au moins 10 minutes, puis consulter immédiatement un médecin. Suivre cette règle permettra de réduire le risque de blessures graves.

- Retirer et mettre de côté les couvercles de batteries de la batterie ou des batteries à remplacer.

**NOTE :** On devra peut-être soulever légèrement le support de fixation pour pouvoir retirer les couvercles.

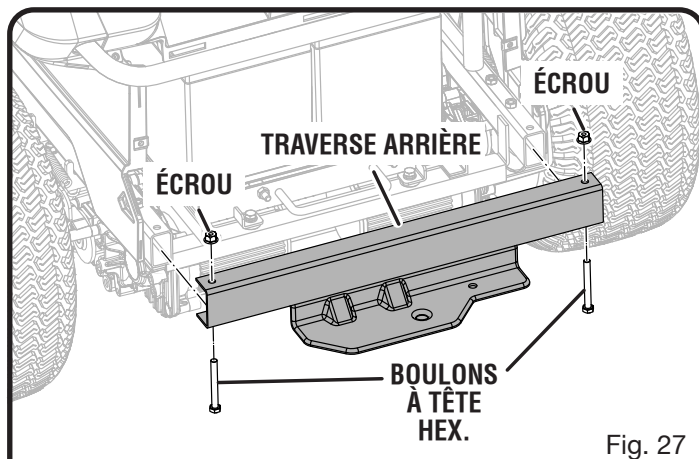


Fig. 27

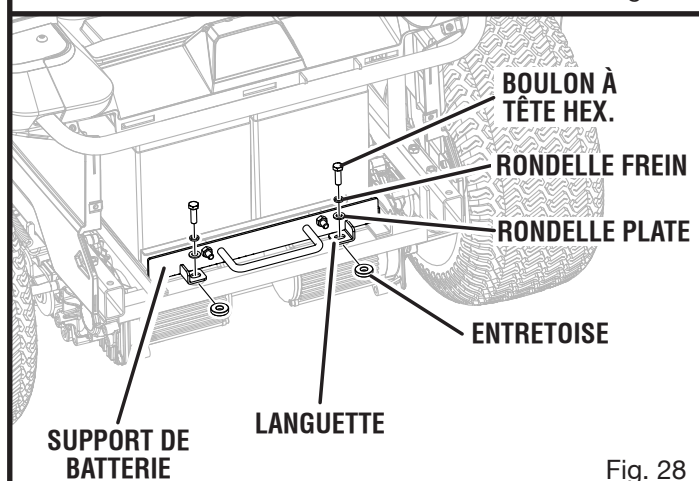


Fig. 28

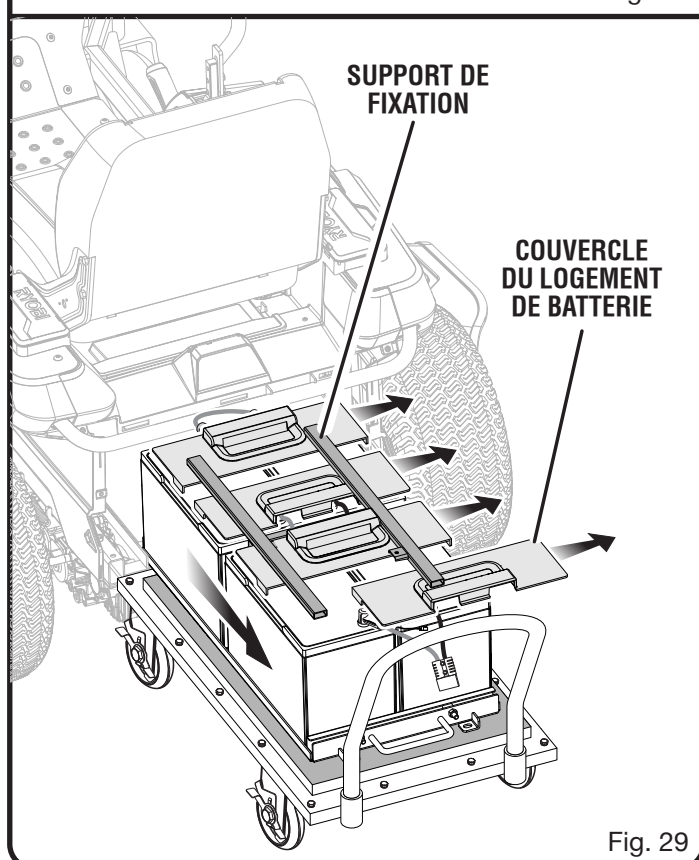


Fig. 29

# ENTRETIEN

- Débrancher les deux câbles de batterie centraux qui passent par le support de fixation. Débrancher d'abord le câble noir (négatif) puis le câble rouge (positif) en prenant soin d'éviter le contact des fils débranchés avec les bornes.
- Soulever et mettre de côté le support de fixation de batteries.
- Débrancher les câbles de batterie avant ou arrière connectant les batteries à remplacer. Débrancher d'abord le câble noir (négatif) puis le câble rouge (positif) en prenant soin d'éviter le contact des fils débranchés avec les bornes.

**NOTE:** Si on débranche les câbles à l'arrière de la tondeuse, noter la position de la borne du thermistor de la batterie sur la borne positive et veiller à replacer la borne au même endroit.

- Remplacer la batterie ou les batteries si nécessaire.
- Réinstaller le support de fixation des batteries.
- Réinstaller les câbles de la batterie. Raccorder d'abord le câble rouge (positif) puis le câble noir (négatif) en prenant soin d'éviter le contact des fils débranchés avec les bornes.
- Réinstaller les couvercles des batteries.
- Pousser suffisamment le support de batteries à l'intérieur de la tondeuse et rebrancher le thermistor de la batterie et les fiches de connexion rapide de la batterie.
- Réinstaller les entretoises, les rondelles plates, les rondelles de blocage et les boulons à tête hexagonale qui fixent les pattes du plateau de batterie. Serrer fermement.
- Réinstaller la traverse arrière, puis replacer les boulons à tête hexagonale et les écrous. Serrer fermement.
- Réinstaller le boulon à tête hexagonale dans le support de fixation pour fixer le support de batteries en place. Serrer fermement.
- Réinstaller le couvercle du compartiment de batteries et la vis pour fermer.

**NOTE :** S'assurer que les languettes du couvercle de compartiment de batteries sont bien insérées dans les fentes du dessus de la tondeuse et les panneaux latéraux avant de serrer les vis.

- Réinstaller le couvercle du compartiment de câblage et le pousser jusqu'à ce que les languettes s'enclenchent puis abaisser le siège de la tondeuse.

**NOTE :** Toujours s'assurer que la connexion du câble du système de verrouillage de sécurité est solide avant de réinstaller le couvercle du compartiment de câblage.

**NOTE :** Toujours obéir aux avertissements de sécurité fournis avec la batterie. Mettre la batterie usagée aux rebuts conformément aux règlements locaux et provinciaux.

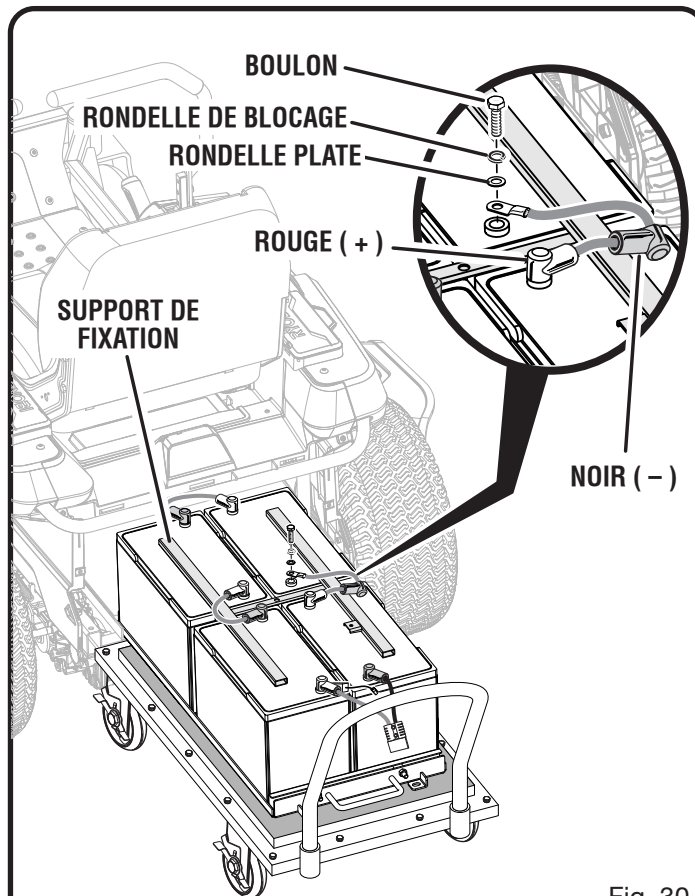


Fig. 30

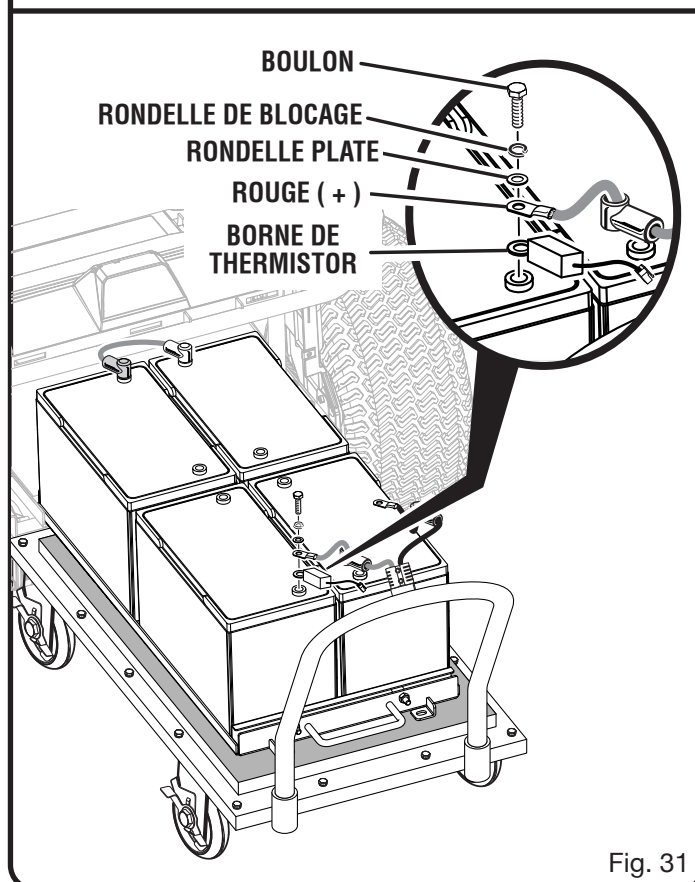


Fig. 31

## RÉGLAGE DES LEVIERS DE COMMANDE

Voir la figure 33.

Pour maximiser le confort et le contrôle de l'opérateur, la hauteur et l'angle des leviers de commande de la tondeuse peuvent être réglés.

### Pour régler la hauteur du levier de commande :

- Retirer les boulons à tête hexagonale du support de fixation du levier de commande.
- Déplacer le levier de commande vers le haut ou le bas selon les besoins.
- Réinstaller les deux boulons et serrer fermement.

### Pour changer l'angle du levier de commande :

- Desserrer les boulons à tête hexagonale du support de fixation du levier de commande, mais ne pas les retirer.
- Déplacer le levier vers l'avant ou vers l'arrière pour obtenir l'angle souhaité.
- Revisser le boulon pour sécuriser.

**NOTE :** Toujours garder les deux leviers à la même hauteur et au même angle. La position neutre des leviers de commande doit toujours être égale.

## RANGEMENT DE LA TONDEUSE

Les étapes suivantes doivent être exécutées avant de ranger la tondeuse pour la saison.

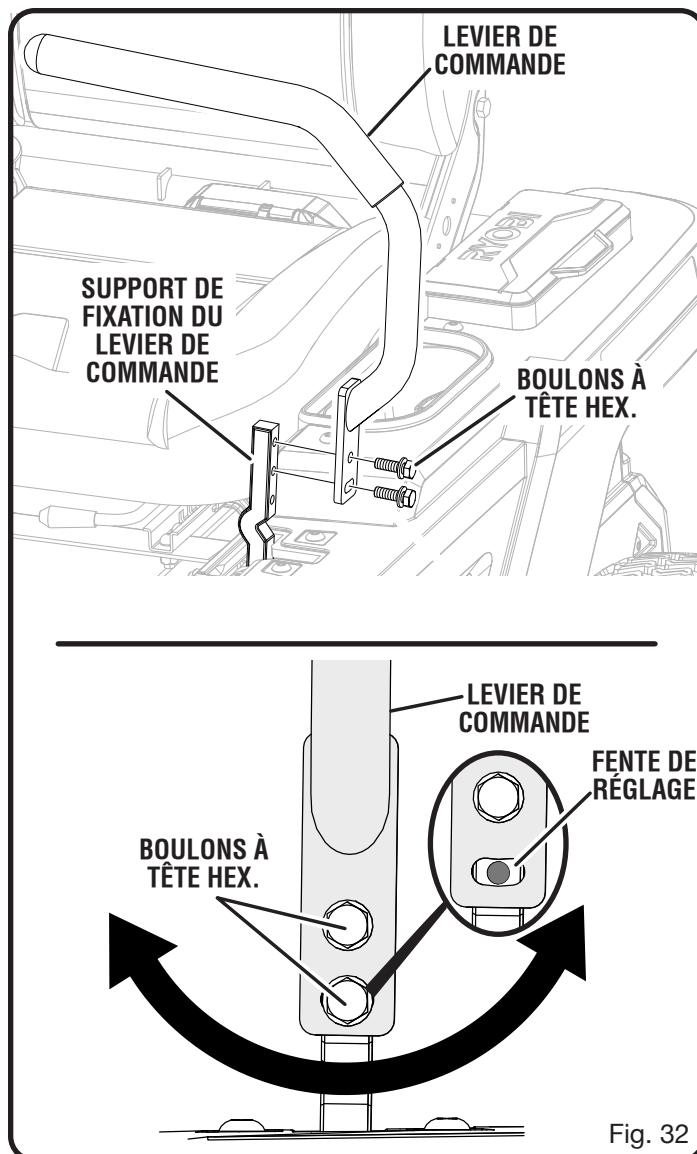
- Retirer toute accumulation d'herbe et de feuilles sur et autour du capot du moteur. Nettoyer la tondeuse avec un chiffon sec. Ne pas nettoyer à l'aide d'un boyau d'arrosage, l'eau ou d'autres liquides.
- Brancher la tondeuse pour la charger pendant toute la durée du rangement.

**NOTE :** S'il est impossible de charger la tondeuse pendant la durée du rangement, charger les batteries au moins une fois par mois pendant la période de rangement.

- Ranger la tondeuse dans un endroit propre et sec et inaccessible aux enfants. Ne pas ranger près d'aucun autre appareil fonctionnant par flammes comme un chauffe-eau à gaz, une sècheuse ou une fournaise.

**NOTE :** Serrer le frein de stationnement et ne pas laisser la clé dans le commutateur d'allumage pendant la période de rangement. Placer la clé dans un endroit inaccessible aux enfants.

- Si la tondeuse doit être rangée à l'extérieure, s'assurer qu'elle est complètement recouverte afin de la protéger du climat.
- Garder éloigné des agents corrosifs comme les produits chimiques de jardinage et les sels fondants.



## PRÉPARATIF APRÈS LA PÉRIODE DE RANGEMENT

Les étapes suivantes doivent être suivies avant d'utiliser la tondeuse à sa sortie du rangement :

- Reviser le calendrier d'entretien.
- Charger complètement les batteries.
- Vérifier la pression des pneus et les gonfler au besoin.
- Conduire brièvement la tondeuse et s'assurer du bon fonctionnement de tous les systèmes et composants.

# ENTRETIEN

## RETRAIT ET PRÉPARATION DU BATTERIES POUR LE RECYCLAGE



Pour préserver les ressources naturelles, les batteries doivent être recyclées ou éliminées selon une méthode appropriée.

Ce produit utilise le batterie acide de plomb. Les réglementations locales ou gouvernementales peuvent interdire de jeter les batteries dans les ordures ménagères.

Consulter les autorités locales compétentes pour les options de recyclage et/ou l'élimination.



### AVERTISSEMENT :

Après avoir retiré le batterie, couvrir ses bornes avec un ruban adhésif de qualité industrielle. Ne pas essayer de démonter ou détruire le batterie, ni de retirer des composants quels qu'ils soient. Le batterie de acide de plomb doivent être recyclées ou doivent être liquidé convenablement. Ne jamais toucher les deux bornes avec des objets en métal ou une partie du corps, car cela pourrait créer un court-circuit. Garder hors de la portée des enfants. Le non-respect de ces mises en garde peut résulter en un incendie et/ou des blessures graves.

## CALENDRIER D'ENTRETIEN

	Inspecter avant chaque utilisation	Toutes les 25 heures	Toutes les 50 heures ou annuellement	Toutes les 100 heures	Avant le remisage
Vérifier les freins	X				
Vérifier la pression des pneus	X				
Vérifier le système de verrouillage de sécurité	X				
S'assurer que toutes les pièces sont serrées fermement	X				X
Nettoyer les débris de la tondeuse	X		X		X
Vérifier/remplacer les lames de la tondeuse		X	X		
Nettoyer les bornes des batteries			X		

**NOTE :** L'entretien doit être effectué plus souvent si la tondeuse est utilisée dans des aires poussiéreuses.

Lorsque l'entretien est effectué hors des périodes maximales spécifiées par le calendrier, l'entretien doit quand même être effectué selon les cycles d'intervalles de temps ou d'heures indiquées au calendrier.

En cas d'incertitude concernant l'une des opérations d'entretien indiquées ci-dessus, apporter la tondeuse à un centre de réparation autorisé afin d'obtenir de l'aide.

## ACCESSOIRES

Pour obtenir ces accessoires, visitez notre site internet au [www.ryobitools.com](http://www.ryobitools.com) ou appelez au numéro 1-800-850-4050 pour en savoir plus.

- Trousse d'ensachage (incluant l'assemblage d'ensacheuse et les lames d'ensachage)..... ACRM005
- Lames doubles (pour déchiquetage et éjection de côté) ..... ACRM006
- Lames d'ensachage ..... ACRM007

### AVERTISSEMENT :

Les outils et accessoires disponibles actuellement pour cet outil sont listés ci-dessus. Ne pas utiliser d'outils ou accessoires non recommandés pour cet outil. L'utilisation de pièces et accessoires non recommandés peut entraîner des blessures graves.



## TIREZ LE MEILLEUR PARTI DE VOTRE ACHAT!

Visitez le site <http://register.ryobitools.com> pour enregistrer votre nouvel outil en ligne.

Ce produit a été entièrement testé avant expédition pour assurer la complète satisfaction de l'utilisateur.

Pour toute question concernant l'utilisation ou l'entretien du produit, appeler le service d'assistance téléphonique RYOBI!

**À l'exclusion de la batterie, ce produit est accompagné d'une garantie limitée de trois (3) ans pour utilisation personnel, familiales ou domestiques (90 jours sur les produits utilisés à toutes autres fins, telles que les travaux ou commerciaux). La batterie a une garantie limitée de un (1) an pour utilisation personnel, familiales ou domestiques (90 jours sur les produits utilisés à toutes autres fins, telles que les travaux ou commerciaux). Pour obtenir les détails de la garantie, visiter le site [www.ryobitools.com](http://www.ryobitools.com) ou appeler (sans frais) au 1-800-860-4050.**



# DÉPANNAGE

SI LES PRÉSENTES SOLUTIONS NE RÉSOLVENT PAS LE PROBLÈME, CONTACTER LE CENTRE DE RÉPARATIONS AGRÉÉ.

PROBLÈME	CAUSE POSSIBLE	SOLUTION
La tondeuse ne démarre pas.	<p>La charge de la batterie est faible.</p> <p>Le chargeur est branché à la tondeuse.</p> <p>La clé de démarrage n'est pas insérée ou est en position « OFF » (arrêt).</p> <p>Raccordements des câbles de batteries lâches.</p>	<p>Charger le bloc-batterie.</p> <p>Débrancher le chargeur de la tondeuse.</p> <p>Insérer la clé de démarrage et tourner à la position « ON » (démarrer).</p> <p>Vérifier et nettoyer toutes les connexions de batteries.</p>
Tondeuse refuse de se déplacer.	<p>La clé de démarrage n'est pas insérée ou est en position « OFF » (arrêt).</p> <p>Les leviers de commande sont en position neutre ou ouverte.</p> <p>La pédale de frein est enfoncée et/ou frein à main enclenché.</p> <p>Le chargeur est branché à la tondeuse.</p> <p>Le conducteur est mal assis.</p>	<p>Insérer la clé de démarrage et tourner à la position « ON » (démarrer).</p> <p>Déplacer les leviers à la position désirée (marche avant ou marche arrière)</p> <p>Relâcher la pédale de frein et/ou le frein à main, puis ouvrir et fermer les leviers de commande pour réinitialiser.</p> <p>Débrancher le chargeur de la tondeuse.</p> <p>S'asseoir complètement sur le siège, remettre les leviers de commande en position neutre, puis réessayer.</p>
La tondeuse coupe l'herbe de façon inégale.	<p>Pression des pneus inégale.</p> <p>Plateau de tondeuse pas à niveau.</p> <p>Lame usée, pliée, lâche ou émoussée.</p> <p>Accumulation de débris sous le plateau de coupe.</p> <p>La vitesse de déplacement est trop rapide.</p>	<p>Vérifier la pression des quatre pneus.</p> <p>Effectuer la mise à niveau du plateau de coupe.</p> <p>Remplacer la lame.</p> <p>Nettoyer le dessous du le plateau de coupe.</p> <p>Effectuer la tonte plus lentement.</p>
La tondeuse ne broie pas correctement.	<p>Des brins d'herbe humides sont collés au-dessous du châssis.</p> <p>L'herbe est trop longue.</p> <p>Lame usée, pliée, lâche ou émoussée.</p> <p>La vitesse de déplacement est trop rapide.</p>	<p>Attendez que l'herbe sèche avant de tondre.</p> <p>Effectuer une première tonte à la hauteur de coupe la plus haute puis tondre à nouveau à la hauteur désirée.</p> <p>Remplacer la lame.</p> <p>Effectuer la tonte plus lentement.</p>
La tondeuse vibre à une vitesse élevée.	<p>La lame est déséquilibrée, détacher ou usée de façon excessive ou inégale.</p> <p>L'arbre du moteur plié.</p>	<p>Remplacer la lame.</p> <p>Arrêtez le moteur et retirer la clé de démarrage. Inspecter les pièces afin de s'assurer qu'elles ne sont pas endommagées. Faites réparer par un centre de réparations agréé avant de redémarrer.</p>

# DÉPANNAGE

PROBLÈME	CAUSE POSSIBLE	SOLUTION
Éjection d'herbe faible.	Goulotte ou ouverture d'éjection de côté obstruée. L'herbe est humide. La vitesse de tonte est trop rapide. L'herbe est trop longue.	Nettoyer la goulotte ou ouverture d'éjection de côté. Laisser sécher l'herbe avant de la tondre. Effectuer la tonte moins rapidement. Effectuer une première tonte à la hauteur de coupe la plus haute puis tondre à nouveau à la hauteur désirée.
Si le moteur s'arrête pendant la tonte de la pelouse.	La hauteur de coupe est trop basse. La charge de la batterie est faible. Le conducteur est mal assis.	Augmentez la hauteur de coupe. Charger la batterie. S'asseoir complètement sur le siège, ramener les leviers de commande en position neutre et appuyer sur le bouton d'engagement de la lame. Puis, réessayer.
Les lames ne tournent pas.	Charge de batterie faible. Bouton d'enclenchement de lame enfoncé. Le conducteur est mal assis.  Accumulation de débris sous le plateau de coupe.	Charger la batterie. Soulever le bouton d'enclenchement de lame. S'asseoir complètement sur le siège, ramener les leviers de commande en position neutre et appuyer sur le bouton d'engagement de la lame. Puis, réessayer. Nettoyer le dessous du plateau de coupe.
Les lames ne tourneront pas pendant la marche arrière.	Bouton d'enclenchement de lame enfoncé.	Soulever le bouton d'enclenchement de lame.
La tondeuse n'atteint pas la vitesse de pointe.	Charge de batterie faible. La fonction de conduite à basse vitesse est activée.	Charger la batterie. Éteindre la conduite à basse vitesse.
Les lames continuent de tourner après le départ de l'opérateur et sans avoir enclenché le frein à main.	Le système de verrouillage de sécurité ne fonctionne pas correctement.	S'assurer que la fiche du siège du système de verrouillage de sécurité est branchée correctement. Si les lames tournent toujours, apporter la tondeuse à un centre de réparations autorisé pour faire réparer.
Les phares ne fonctionnent pas.	Les phares sont éteints.  Les phares sont endommagés.	Enfoncer le bouton des phares pour les allumer.  Faire remplacer les phares dans un centre de réparations agréé.
La batterie ne se charge pas.	Batterie en mauvais état. Connexions des câbles lâches.	Remplacer la batterie. Vérifier et nettoyer toutes les connexions de batteries.

Si le problème persiste après avoir essayé les solutions ci-dessus, communiquer avec le service à la clientèle ou un centre de réparations qualifié pour obtenir de l'aide.

# DÉPANNAGE

## CODES D'ERREUR DU CHARGEUR

CODE	SIGNIFICATION	SOLUTION
Un clignotement rouge	Défaut de mise sous tension — Peut indiquer un mauvais contact du connecteur du chargeur ou la température trop élevée du chargeur (supérieure à 50 C [122 F]).	Vérifier le raccordement chargeur/tondeuse et retirer tous les débris. Laisser refroidir les batteries chaudes. Tenter de charger à nouveau.
Deux clignotements rouges	Défaut de tension de la batterie — Peut indiquer que la charge d'une ou des batteries installées est inférieure à 36 V ou supérieure à 67,2 V ou que la charge de ou des batteries est trop faibles ou surchargées pour permettre une charge.	Les batteries doivent être chargées par un autre moyen afin d'augmenter la charge à 36 V ou de faire fonctionner la tondeuse pour diminuer la charge des batteries à 67,2 V.
Trois clignotements rouges	Temps mort de la charge de la batterie : Temps de charge dépassé — Peut indiquer un problème des batteries de la tondeuse ou que la tension de sortie du chargeur est intensément réduite à cause de la température élevée de l'environnement.	Débrancher le chargeur. Laisser refroidir les batteries puis tenter de charger à nouveau.
Quatre clignotements rouges	Défaut de la batterie : Temps de charge dépassé — Indique un problème de tension de batterie n'ayant pas atteint la charge nominale requise à l'intérieur du temps maximum alloué.	Débrancher le chargeur. Vérifier la configuration de série des batteries pour s'assurer qu'elles sont correctement raccordées. Laisser refroidir les batteries puis tenter de charger à nouveau.
Cinq clignotements rouges	Délai d'attente causé par la température — Le chargeur s'est éteint à cause de la température interne excessive.	S'assurer que les ailettes de refroidissement ne sont pas obstruées et que le chargeur même n'est pas exposé aux rayons du soleil. Si le chargeur est chaud, le laisser refroidir avant de charger à nouveau.
Six clignotements rouges	Défaut du chargeur : Erreur interne détectée	Débrancher le chargeur, rebrancher le chargeur et tenter de charger à nouveau.

Lorsqu'une erreur survient et que la solution ne parvient pas à effacer l'erreur et permettre la charge des batteries, apporter le chargeur chez un centre de réparations autorisé pour faire réparer ou remplacer.

# INSTRUCCIONES DE SEGURIDAD IMPORTANTES



## PELIGRO:

**LEA TODAS LAS ADVERTENCIAS DE SEGURIDAD, ESPECIFICACIONES E INSTRUCCIONES DE ENSAMBLAJE PROVISTAS CON EL PRODUCTO.** El uso de una podadora de giro cero requiere que comprenda el funcionamiento del producto y de los controles correspondientes. Si no sigue todas las advertencias e instrucciones, podría sufrir la muerte, lesiones personales graves o una descarga eléctrica, o producirse un incendio.

## LEA TODAS LAS INSTRUCCIONES

- Esta máquina de corte es capaz de amputar manos y pies, y de lanzar objetos. La inobservancia de todas las instrucciones de seguridad puede causar lesiones serias o la muerte.
- Evite ambientes peligrosos — No use la podadora de pasto en condiciones húmedas o mojadas ni la utilice en la lluvia.
- Mantenga alejados a los niños — Mantenga alejados a todos los circunstantes, niños y animales a una distancia mínima de 30,5 m (100 pies). Detenga la podadora y apague la máquina si alguien ingresa al área.
- Pueden ocurrir accidentes trágicos si el operario no permanece atento a la presencia de niños. A menudo, los niños se sienten atraídos por la máquina y por la actividad de podar. **NUNCA** suponga que los niños permanecerán en el lugar en que los vio por última vez.
- Mantenga a los niños lejos del área de podado y bajo el cuidado atento de un adulto responsable que no sea el operario.



- Esté atento; detenga y apague la máquina si un niño ingresa al área.
- Antes y mientras retrocede, maniobre en reversa o gire, controle que atrás o debajo no haya niños, transeúntes o mascotas.
- Tenga especial cuidado antes y mientras retrocede, maniobre en reversa o gire, si el juego para embolsadora está instalado, ya que puede limitar la visión. Siempre controle que atrás o debajo no haya niños, transeúntes o mascotas, y mueva la podadora lentamente.
- Nunca lleve a niños, incluso con las cuchillas desactivadas. Se pueden caer y lastimarse gravemente, o interferir en el funcionamiento seguro de la máquina. Los niños a los que les dio un paseo antes pueden aparecer de repente en el área de podado para dar otro paseo y pueden ser atropellados por la máquina.



## ADVERTENCIA:

**ESTE EQUIPO PUEDE CAUSAR LA MUERTE O HERIR CON GRAVEDAD A LOS NIÑOS.** La Academia Americana de Pediatría recomienda que los niños tengan una edad mínima de 16 años antes de hacer funcionar una podadora de pasto tipo tractor.

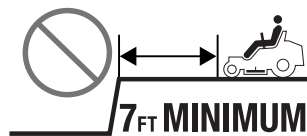
- Nunca permita que los niños hagan funcionar la máquina.
- Tenga sumo cuidado cuando se acerque a esquinas ciegas, arbustos, árboles u otros objetos que puedan impedirle ver a un niño.
- Use pantalones gruesos y largos, mangas largas, guantes y protección ocular para protegerse los pies y mejorar el agarre en superficies resbaladizas. No use ropa holgada, pantalones cortos o sandalias, ni ande descalzo. No use artículos de joyería de ninguna clase. Pueden quedar atrapadas en las piezas móviles.
- Nunca deje la máquina funcionando sin supervisión. Desactive siempre las cuchillas, coloque el freno de estacionamiento, detenga el motor y quite la llave antes de bajarse.
- Controle el funcionamiento del freno antes de cada uso y de manera frecuente durante el uso. Realice los trabajos de ajuste y mantenimiento según sea necesario.
- Mantenga las manos y los pies alejados del área de corte, la cual está ubicada debajo de la base inferior de la podadora y en el interior del vertedor de descarga lateral. Manténgase alejado de la abertura de vertedor de descarga lateral en todo momento. No extienda los brazos por debajo de la base inferior de la podadora.
- Utilice la podadora de pasto únicamente a la luz del día o con buena luz artificial.
- Utilice gafas de seguridad — Siempre utilice protección para los ojos con escudos laterales que cumplan con ANSI Z87.1. Si el proceso es polvoriento, utilice una careta.
- Utilice el aparato adecuado para la tarea — No utilice la podadora de pasto para ninguna función diferente de las especificadas.
- No fuerce la podadora de pasto — Efectúa el trabajo mejor y de manera más segura, si se utiliza a la velocidad para la que está diseñada.
- No cargue la cortadora de pasto bajo la lluvia o en ubicaciones húmedas.
- Permanezca alerta — Preste atención a lo que esté haciendo y use el sentido común al utilizar la podadora de pasto. No utilice la podadora cuando está cansado, molesto o bajo la influencia de drogas, alcohol o medicamentos. Un momento de descuido al utilizar la podadora de pasto puede causar lesiones serias.
- Mantenga la podadora de pasto con cuidado — Mantenga la máquina en buenas condiciones de trabajo. Mantenga las cuchillas afiladas, y las protecciones en su lugar y en buenas condiciones de trabajo. Para prevenir heridas graves, daños en la podadora, y para un mejor rendimiento, reemplace las cuchillas dañadas o desgastadas de forma irregular.
- Revise el apriete de todas las tuercas, pernos y tornillos antes de cada uso para verificar la seguridad de las condiciones

# INSTRUCCIONES DE SEGURIDAD IMPORTANTES

de funcionamiento del equipo. Las cuchillas de la podadora son filosas. Envuelva las cuchillas o utilice guantes y sea extremadamente precavido cuando las repare.

- Apague el motor y espere hasta que las cuchillas se detenga completamente y retire la llave del arranque de fusible antes de limpiar la podadora de pasto, retirar el receptor de hierba o extraer el mulch cover.
- Cambie la cuchilla si está doblada, fisurada o dañada de algún modo. Una cuchilla mal equilibrada ocasiona vibraciones que podrían dañar la unidad impulsora del motor o causar lesiones personales. Afíle la cuchilla desafilada de la misma manera en cada extremo para mantener el equilibrio. Limpie profundamente la cuchilla y verifique el equilibrio apoyándola horizontalmente sobre un clavo delgado a través del orificio central. El clavo debe encontrarse en posición horizontal. Si alguno de los extremos de la cuchilla gira hacia abajo, extraiga algo de metal de la parte pesada del extremo inferior hasta que la cuchilla quede equilibrada. La cuchilla estará equilibrada cuando ninguno de los extremos gire hacia abajo.
- El vertedor de descarga lateral es una protección con resorte que cubre la apertura de descarga lateral en la base inferior de la podadora y aleja la hierba y los residuos del operario. Siempre asegúrese de que el motor esté apagado y de que las cuchillas se hayan detenido antes de inspeccionar, mover, limpiar o realizar tareas de mantenimiento en el vertedor de descarga lateral.
- Siempre utilice dispositivos de protección. No haga funcionar la podadora si el vertedor de descarga lateral no está en su lugar y si no está funcionando correctamente. La cubierta para trituración debe estar correctamente instalada y funcionando de forma adecuada durante la operación de trituración, y el juego para embolsadora debe estar instalado correctamente y funcionando de forma adecuada durante la operación de embolsado.
- Nunca interfiera con la función correspondiente de un dispositivo de seguridad ni reduzca la protección suministrada por un dispositivo de seguridad. Controle periódicamente que la máquina funcione correctamente.
- Nunca altere los dispositivos de seguridad. Compruebe periódicamente que la máquina funcione correctamente.
- Siga las instrucciones del fabricante para el correcto manejo e instalación de los accesorios. Sólo utilice accesorios aprobados por el fabricante. El uso de otros accesorios puede aumentar el riesgo de lesiones.
- Despeje el área de trabajo cada vez antes de utilizar esta herramienta. Retire todos los objetos como piedras, palos, metal, alambre, huesos, juguetes, ramas de árboles caídas, frutos secos, u otros objetos que puedan ser lanzados por los cuchillas.
- Los objetos golpeados por los cuchillas de la podadora de pasto pueden causar graves heridas a las personas. Siempre debe examinarse el pasto con cuidado y despejarlo de cualquier objeto antes de cada poda.
- Si la podadora de pasto golpea un objeto extraño, siga estos pasos:
  - Detenga la podadora de pasto, coloque el freno de estacionamiento, espere hasta que las cuchillas se detenga por completo y luego.

- Inspeccione minuciosamente la podadora para ver si tiene daños.
- Reemplace la cuchilla si presenta algún tipo de daño. Repare todo daño antes de volver a arrancar la podadora y continuar utilizándola.
- Las pendientes son un factor importante relacionado con la pérdida de control y accidentes de vuelcos, lo que puede provocar heridas graves o la muerte. El funcionamiento en pendientes requiere precaución adicional. Si no puede cubrir la pendiente o si se siente incómodo, no la pade. No retroceda en una pendiente hacia abajo. Nunca use la máquina en pendientes pronunciadas de más de 15°.
- Nunca intente conducir la podadora en una pendiente pronunciada ni podar una pendiente de más de 15°. Para determinar el ángulo de su pendiente, utilice la **Guía de pendientes** que se encuentra en la parte trasera de este manual.
- Poda las pendientes en sentido ascendente y descendente, no en sentido transversal.
- Esté atento a orificios, baches, lomas, rocas u otros objetos escondidos. El terreno desparejo puede volcar la máquina. El pasto alto puede esconder obstáculos.
- Utilice una velocidad baja para que no tenga que detenerse de repente ni acelerar accidentalmente mientras se encuentre en una pendiente.
- No pade el pasto húmedo. Los neumáticos pueden perder tracción, y usted puede perder el control.
- Mantenga siempre el palancas de impulso en posición de avance cuando recorra las pendientes. No pase a neutro y descienda, ya que podría provocar la pérdida de control de la podadora.
- Evite arrancar, detenerse o girar sobre una pendiente. Si los neumáticos pierden la tracción, desactive las cuchillas y proceda lentamente en línea recta descendiendo por la pendiente.
- Realice todos los movimientos sobre la pendiente de forma lenta y gradual. No haga cambios repentinos en la velocidad o la dirección, ya que podría provocar que la máquina se dé vuelta.
- Tenga sumo cuidado cuando haga funcionar la máquina con las embolsadoras u otros accesorios; pueden afectar la estabilidad de la máquina. No utilice la máquina en pendientes pronunciadas de más de 15°.
- No intente estabilizar la máquina apoyando los pies en el suelo.
- Manténgase a, al menos, dos anchos de podado (2,13 m [7 pies]) de cunetas, caídas o agua. Las ruedas delanteras podrían girar cuando la podadora esté detenida, incluso con el freno colocado, y hacer que la podadora caiga en un pozo o al agua, lo que podría causarle la muerte o lesiones personales graves.



# INSTRUCCIONES DE SEGURIDAD IMPORTANTES

- Nunca dirija el material descargado hacia una persona. Planifique su patrón de podado para evitar la descarga de material en circunstancias, caminos, aceras, ventanillas, automóviles y demás. Además, evite descargar material contra una pared u obstrucción que pueda hacer que el material rebote hacia el operador.
- Detenga la cuchilla cuando cruce por superficies de grava para evitar la descarga de ripios y rocas, y conduzca la podadora lentamente y con cuidado para evitar la pérdida de control.
- Tenga cuidado extremo al acercarse a esquinas ciegas, arbustos, árboles u otros objetos que puedan impedirle ver.
- Nunca haga ajustes ni reparaciones con el motor en funcionamiento o las cuchillas en movimiento. Apague el interruptor y quite la llave.
- Detenga el motor, coloque el freno de estacionamiento, espere hasta que las cuchillas se detenga por completo y retire la llave del arranque de fusible antes de limpiar la vertedor de descarga lateral o apertura. Las cuchillas continúa girando durante algunos segundos después de que se apaga el motor. Nunca coloque ninguna parte del cuerpo en el área de las cuchillas hasta que esté seguro de que la cuchilla ha dejado de girar.
- Si la podadora comienza a vibrar de manera anormal, detenga el motor e inspecciónela inmediatamente para determinar la causa. Reemplace las cuchillas si presenta algún tipo de daño o si se ha desgastado de forma irregular. La vibración es generalmente un signo de una cuchilla de podadora dañada.
- Desactive las cuchillas de la podadora cuando no esté podando.
- Sólo personal de reparación calificado debe dar servicio al producto y cargador. Todo servicio o mantenimiento efectuado por personal no calificado puede significar un riesgo de lesiones al usuario, y de daños físicos al producto.
- Al dar servicio a este producto, sólo utilice únicamente repuestos autorizado. Utilice solo cuchillas de repuesto idénticas a las originales. El empleo de piezas no autorizadas puede significar un riesgo de lesiones serias al usuario, o de daños físicos al producto.
- Mantenga las etiquetas de instrucciones de seguridad en buen estado o cámbielas, según sea necesario.
- Retire la llave del arranque — Retire la llave del arranque antes de guardar la podadora, servicio, o cambie los aditamentos como una cuchillas. Tales medidas preventivas de seguridad reducen el riesgo de poner en marcha accidentalmente la podadora.
- Apague la unidad y retire la llave del arranque cuando no esté en uso. Transporte la unidad con el motor apagado y la llave del arranque ya retirados de la podadora.
- Las herramientas de baterías no se necesitan conectar a una toma de corriente; por lo tanto, siempre están en condiciones de funcionamiento. Esté consciente de los posibles peligros cuando no esté usando la herramienta de baterías o cuando esté cambiando los accesorios de la misma. Con el cumplimiento de esta regla se reduce el riesgo de una descarga eléctrica, incendio o lesión corporal seria.
- No use podadora accionados por baterías en la lluvia.
- Retire la llave del arranque antes de proporcionarle servicio, realizarle una limpieza o quitar material del aparato para el cuidado del jardín.
- Guarde en el interior los aparatos que no se están usando — Cuando no se está usando, se debe guardar la podadora en el interior, en un lugar seco y cerrado con llave del arranque, inaccesible a los niños. Retire la llave del arranque y guárdela en un lugar apartado fuera del alcance de los niños.
- Siga las instrucciones para cambiar accesorios.
- Solo permita que esta máquina sea operada por personas adultas responsables, capacitado, aptas físicamente, que estén familiarizadas con y comprenda las instrucciones.
- Nunca lleve pasajeros.
- Nunca opere la máquina en un espacio cerrado.
- No pade en reversa a menos que sea sumamente necesario. Mire siempre hacia abajo y hacia atrás antes y mientras retrocede.
- Amínore la marcha antes de girar.
- Observe el tráfico cuando esté podando cerca o cruzando calzadas.
- Las podadoras con impulso en las ruedas traseras requieren mayor tracción que aquellas con impulso en las ruedas delanteras. Tenga extremo cuidado cuando pade en pendientes o cuando pase sobre superficies mojadas, para evitar un posible vuelco.
- Cuando pade, manténgase a, al menos, 2,13 m (7 pies) de caídas, terraplenes, agua y superficies tipo pantano.
- Tenga sumo cuidado cuando cargue o descargue la máquina en un remolque; presione el botón de impulso de velocidad baja y mueva con cuidado las palancas de impulso según sea necesario para controlar la velocidad. Cuando cargue la podadora en un remolque, hágalo siempre en reversa. Cuando cargue o descargue la podadora, no exceda el máximo recomendado para el ángulo de funcionamiento de 15°.
- Utilice rampas de ancho completo para cargar y descargar una máquina para el transporte.
- Los datos indican que los operarios de más de 60 años están involucrados en un gran porcentaje de lesiones relacionadas con la conducción de podadoras. Estos operarios deben evaluar su capacidad para hacer funcionar la podadora tipo tractor de manera segura para protegerse y proteger a los demás, y evitar que sufran lesiones graves.
- Mantenga la máquina sin acumulaciones de hierba, hojas y otros residuos. Deje que la máquina se enfríe antes de guardarla.
- No la rocíe con una manguera de jardín para limpiarla, ya que puede dañar la batería o los componentes electrónicos, y originar un corto circuito o un incendio. Utilice un dispositivo de movimiento de aire, tal como un compresor o soplador de hojas para limpiar la podadora.
- El conjunto del receptor de hierba (si está instalada) está sujeto a deterioro y a desgaste, y se debe revisar todas las veces que use la podadora. Si es necesario algún repuesto, asegúrese de que el receptor de hierba nuevo cumpla con las recomendaciones y especificaciones del fabricante.

# INSTRUCCIONES DE SEGURIDAD IMPORTANTES

## REGLAS DE SEGURIDAD ADICIONALES PARA LAS BATERÍAS

- No abra ni dañe las baterías. El electrolito emitido es corrosivo y puede causar daños en los ojos y en la piel. Puede ser tóxico si se ingiere.
- No deseche las baterías en el fuego. Las baterías pueden estallar. Verifique los códigos de la localidad para conocer posibles instrucciones especiales para desecharlas.
- Mantenga todos los objetos de metal, como clips de papel, monedas, llaves, clavos, tornillos y otros objetos de metal pequeños, alejados de la batería y terminales de la batería que puedan crear una conexión entre dos terminales. Establecer una conexión directa entre las dos terminales de las baterías puede causar quemaduras o incendios y puede conducir a lesiones personales o daños materiales.
- Tenga cuidado cuando maneje baterías a fin de no realizar un cortocircuito en la batería con materiales conductores como anillos, brazaletes y llaves. La batería o el conductor pueden recalentarse y provocar quemaduras.
- En condiciones extremas de uso o temperatura las baterías pueden emanar líquido. Si el líquido llega a tocarle la piel, lávese de inmediato con agua y jabón. Si le entra líquido en los ojos, láveselos con agua limpia por lo menos 10 minutos, y después busque de inmediato atención médica. Con el cumplimiento de esta regla se reduce el riesgo de lesiones corporales serias.
- No cargue la batería en un área con temperaturas extremadamente altas o bajas. Las baterías se cargan mejor a temperaturas de 0 °C a 40 °C (32 °F a 104 °F).

- Utilice únicamente baterías de plomo y ácido RYOBI de 75 Ah (LPC12-75) o de 100 Ah (LPC12-100) para podadora de pasto eléctrica tipo tractor.
- Solo cargue la batería con el cargador especificado por el fabricante. Un cargador adecuado para un tipo paquete de baterías puede significar un riesgo de incendio si se emplea con otro paquete de baterías.

## REGLAS DE SEGURIDAD ADICIONALES PARA EL REMOLQUE

- Asegúrese de que las condiciones y el objeto remolcado sean seguros para remolcar y permitan que el operador mantenga el control de la podadora. Nunca remolque objetos en pendientes o superficies húmedas o inestables. El peso total remolcado no debe exceder 226,8 kg (500 lb).
- Siga las recomendaciones del fabricante para los contrapesos de las ruedas.
- No adjunte equipos remolcados excepto en el punto del enganche aprobado.
- Nunca permita la presencia de niños ni otras personas en un equipo remolcado.
- La distancia de frenado se incrementa con la velocidad y el peso de la carga remolcada. Viaje lentamente y permita tiempo adicional y distancia de frenado.
- No gire bruscamente cuando esté remolcando. Sea precavido cuando gire o haga funcionar la máquina bajo condiciones adversas de la superficie. Tenga cuidado al usar la reversa.

# REGLAS DE SEGURIDAD IMPORTANTES PARA EL EMPLEO DEL CARGADOR

## INSTRUCCIONES DE SEGURIDAD IMPORTANTES

### 1. GUARDE ESTAS INSTRUCCIONES - PELIGRO - PARA REDUCIR EL RIESGO DE INCENDIOS O DESCARGA ELÉCTRICA, SIGA CUIDADOSAMENTE ESTAS INSTRUCCIONES.

Este manual contiene instrucciones importantes respecto a la seguridad y funcionamiento de los cargador de baterías SC-48.

- 2. Antes de emplear el cargador de baterías** lea todas las instrucciones y las indicaciones precautorias del cargador de baterías, de las baterías y del producto con el que se utilizan las baterías.
- 3. PRECAUCIÓN:** Para reducir el riesgo de lesiones, cargue únicamente baterías de plomo y ácido RYOBI de 75 y 100 Ah para Podadora de pasto eléctrica tipo tractor. Otros tipos de baterías pueden estallar y causar lesiones corporales así como daños materiales.

# REGLAS DE SEGURIDAD IMPORTANTES PARA EL EMPLEO DEL CARGADOR

## GUARDE ESTAS INSTRUCCIONES

### ¡PELIGRO!

**PARA REDUCIR EL RIESGO DE INCENDIO, CHOQUE ELÉCTRICO, MUERTE O HERIDAS GRAVES, SIGA ATENTAMENTE ESTAS INSTRUCCIONES.**

- **Este manual contiene importantes instrucciones operativas y de seguridad para el cargador.** Consúltelas con frecuencia y empléelas para instruir a otras personas que puedan utilizar este producto. Si le presta este producto a alguien, préstele también estas instrucciones para evitar el mal uso del producto y posibles lesiones.
- **Antes de emplear el cargador,** lea y comprenda todas las instrucciones y las marcas precautorias del manual, del cargador, de las baterías y del podadora de pasto de 48 V, con el fin de evitar un empleo indebido del producto y posibles lesiones corporales o daños físicos.
- **Este cargador debe usarse únicamente para cargar podadoras montables de 48 V RYOBI.** Usarlo con otros productos o baterías puede provocar heridas personales y también dañar el producto o el cargador.
- **Las baterías de plomo y ácido pueden generar un gas hidrógeno explosivo durante el funcionamiento normal.** Mantenga chispas, llamas y materiales para fumar alejados de las baterías.
- **El cargador no está diseñado para ser utilizado por niños.**
- **Proporcione ventilación adecuada para que el cargador disipe el calor durante la carga.** El cargador se calentará. Manténgase alejado de material inflamable y combustible, y no cubra el cargador.
- **Riesgo de quemaduras:** el cargador puede estar caliente durante el funcionamiento. Use el mango del cargador únicamente. Instale el cargador sobre una mesa o pared con las aletas de enfriamiento en forma vertical.
- **Riesgo de descarga eléctrica.** No toque la parte del conector de salida o el terminal de batería sin aislamiento.
- **No utilice el cargador a la intemperie ni lo exponga a condiciones húmedas o mojadas.** La introducción de agua en el cargador aumenta el riesgo de una descarga eléctrica. El cargador debe estar enchufado a un receptáculo de circuito accionado por falta de conexión a tierra (GFCI) Clase A cuando se utilice en exteriores.
- **Mantenga el cargador y la clavija sin contaminación ni suciedad. No permita que gasolina, aceites, productos a base de petróleo, etc., lleguen a tocar las piezas de plástico.** Dichos productos contienen compuestos químicos que pueden dañar, debilitar o destruir el plástico.
- **Mantenga el cordón y el cargador alejados del calor para evitar dañar el alojamiento o las partes internas de la unidad.**
- **No maltrate el cordón eléctrico ni el cargador.** Para trasladar el cargador nunca lo sostenga del cordón. No tire del cable del cargador en lugar de hacerlo de la clavija cuando lo desconecte del puerto del cargador. Pueden ocurrir daños en el cable o en el cargador, y generar un riesgo de descarga eléctrica. Haga reemplazar los cables por un centro de servicio autorizado de inmediato.
- **No utilice el cargador si está dañado el cordón o la clavija,** ya que podría causar un corto circuito y una descarga eléctrica. Si está dañada una pieza, haga reemplazar el cargador por una persona de servicio autorizado.
- **No utilice el cargador si el mismo ha sufrido una caída, un golpe sólido o un daño de cualquier tipo.** Llévelo a un técnico de servicio autorizado para una revisión eléctrica y así determinar si el cargador está en buenas condiciones de funcionamiento.
- **Asegúrese de que los cables estén ubicados de manera que no los pise, no se desconecten, no estén en contacto con puntas filosas o piezas en movimiento, u de otra manera estén sujetos a daños o tensión.** Esto reducirá el riesgo de caídas accidentales, lo que puede provocar lesiones y daños en los cables, lo que podría provocar un choque eléctrico.
- **No debe emplearse un cordón de extensión a menos que sea absolutamente necesario.** El empleo de un cordón de extensión inadecuado puede significar un riesgo de incendio o descarga eléctrica. Si es necesario utilizar un cordón de extensión, asegúrese:
  - a. De que las patillas de la clavija del cordón de extensión vengán en el mismo número, tamaño y forma que las de la clavija del cargador.
  - b. Que el cordón de extensión esté alambrado correctamente y en buenas condiciones eléctricas, y
  - c. Que el tamaño del alambre sea del tamaño suficiente para el amperaje de CA nominal del cargador como se especifica a continuación:

Long. cordón (pies)	25'	50'	100'
Calibre cordón (AWG)	14	14	12




**NOTA:** AWG = Calibre conductores norma americana

- **No desarme el cargador.** Abrir el cargador anulará su garantía. Si el cargador requiere servicio o reparación durante el período de garantía, llévelo a un centro de servicio autorizado para que sea reemplazado.
- **La persona de servicio debe desenchufar el cargador del tomacorriente de pared de CA y desde el puerto de carga de la podadora antes de intentar realizar tareas de mantenimiento o de limpieza para reducir el riesgo de choque eléctrico.**












# SÍMBOLOS

Las siguientes palabras de señalización y sus significados tienen el objeto de explicar los niveles de riesgo relacionados con este producto.






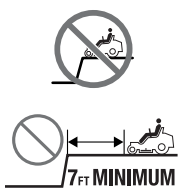

SÍMBOLO	SEÑAL	SIGNIFICADO
	<b>PELIGRO:</b>	Indica una situación peligrosa, la cual, si no se evita, causará la muerte o lesiones serias.
	<b>ADVERTENCIA:</b>	Indica una situación peligrosa, la cual, si no se evita, podría causar la muerte o lesiones serias.
	<b>PRECAUCIÓN:</b>	Indica una situación potencialmente la cual, si no se evita, puede causar lesiones leves o moderadas.
	<b>AVISO:</b>	(Sin el símbolo de alerta de seguridad) Indica la información que se considera importante, pero no relacionada con lesiones potenciales (por ej. en relación a daños a la propiedad).

Es posible que se empleen en este producto algunos de los siguientes símbolos. Le suplicamos estudiarlos y aprender su significado. Una correcta interpretación de estos símbolos le permitirá utilizar mejor y de manera más segura el producto.

SÍMBOLO	NOMBRE	DENOMINACIÓN/EXPLICACIÓN
	Alerta de seguridad	Indica un peligro posible de lesiones personales.
	Lea manual del operador	Para reducir el riesgo de lesiones, el usuario debe leer y comprender el manual del operador antes de usar este producto.
	Protección ocular	Siempre póngase protección ocular con protección lateral con la marca de cumplimiento de la norma ANSI Z87.1.
	Mantenga alejados a los niños	Mantenga a los niños lejos del área de podado y bajo el cuidado atento de un adulto responsable que no sea el operario.
	Alerta de condiciones húmedas	Riesgo de incendio y quemaduras. No exponga la batería, el compartimento de la batería o componentes electrónicos a la lluvia, el agua o líquidos. No exponga la podadora a la lluvia o a lugares húmedos, ni cargue la batería en esas condiciones. No use la herramienta en pisos húmedos.
	Descarga eléctrica	Si no se usa la unidad en condiciones secas y no se observan prácticas seguras de trabajo, puede producirse una descarga eléctrica.
	Mantenga las manos y los pies alejados.	Mantenga las manos y los pies alejados de las cuchillas y del área de corte.
	No extenderse	No extienda las manos o los pies por debajo de la cubierta de la podadora.
	No utilizar sobre pendientes	No utilice la podadora sobre pendientes pronunciadas o pendientes superiores a los 15°. Pude las pendientes en sentido ascendente y descendente, nunca en sentido transversal.

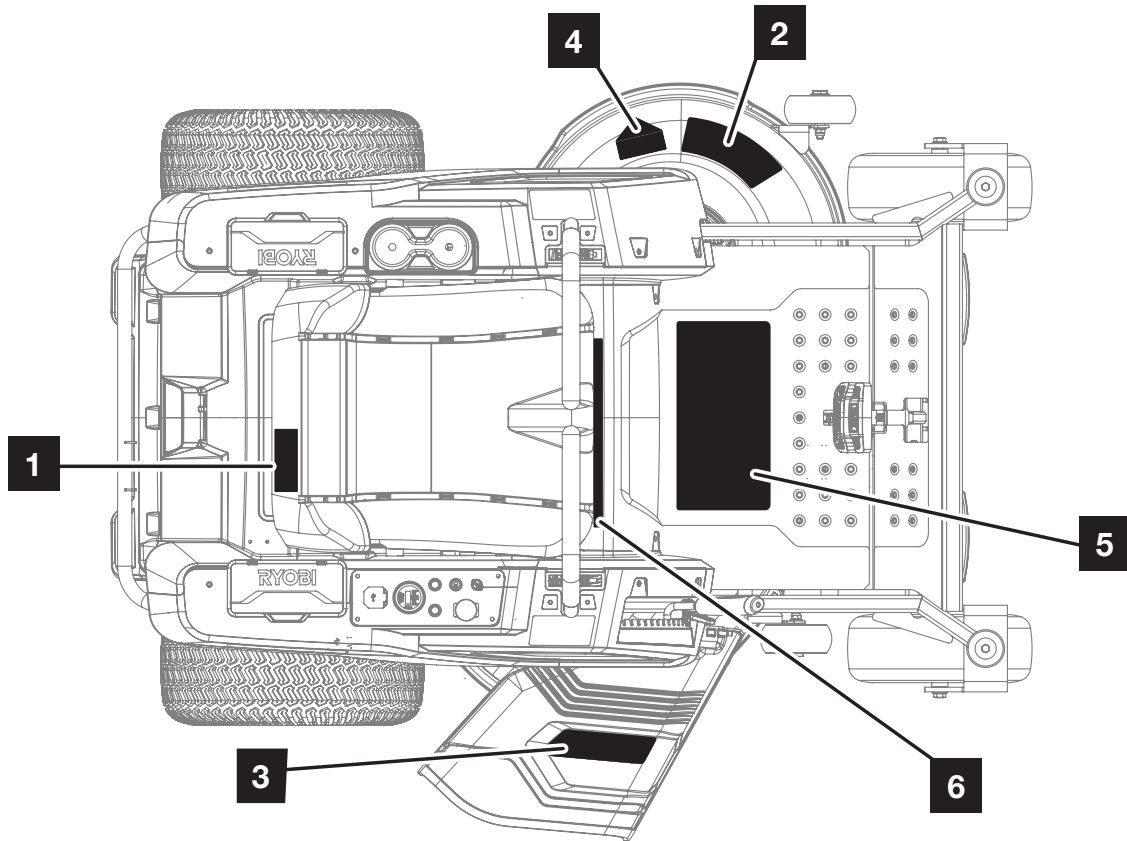
# SÍMBOLOS

Es posible que se empleen en este producto algunos de los siguientes símbolos. Le suplicamos estudiarlos y aprender su significado. Una correcta interpretación de estos símbolos le permitirá utilizar mejor y de manera más segura el producto.

SÍMBOLO	NOMBRE	DENOMINACIÓN/EXPLICACIÓN
	Mantenga alejados a los niños y circunstantes	Mantenga a los niños, otras personas, y animales alejados a una distancia mínima de 30,5 m (100 pies).
	Rebote	Cualquier objeto lanzado puede rebotar y producir lesiones personales o daños físicos.
	Objetos lanzado	Cualquier objeto lanzado puede rebotar y producir lesiones personales o daños físicos. Nunca dirija el material descargado hacia una persona.
	Sin pasajeros	Nunca lleve a niños ni otras personas, incluso cuando las cuchillas estén desactivadas.
	Use la reversa con precaución	Mire siempre hacia abajo y hacia atrás antes y cuando maniobre en reversa o gire. Asegúrese de que el área esté libre de niños, transeúntes y mascotas.
	Manténgase alejado de cunetas, caídas o agua	Manténgase a, al menos, dos anchos de podado (2,13 m [7 pies]) de cunetas, caídas o agua. Las ruedas delanteras podrían girar cuando la podadora esté detenida, incluso con el freno colocado, y hacer que la podadora caiga en un pozo o al agua.
	Símbolo de reciclado	Este producto utiliza baterías de plomo-ácido (Pb). Es posible que algunas leyes municipales, estatales o federales prohíban desechar las baterías en la basura normal. Consulte a las autoridades reguladoras de desechos para obtener información en relación con las alternativas de reciclado y desecho disponibles.
==	Corriente continua	Tipo o característica de corriente
V	Volts	Voltaje
A	Amperes	Corriente
Hz	Hertz	Frecuencia (ciclos por segundo)
W	Watts	Potencia
hrs	Horas	Tiempo

# ETIQUETAS DE SEGURIDAD

Las siguientes etiquetas se encuentran en el producto. Para su seguridad, revise y comprenda todas las etiquetas antes de encender el producto. Si alguna de las etiquetas se desprende de la unidad o se vuelve ilegible, comuníquese con un centro de servicio autorizado para reemplazarla.



**1**

**RYOBI** RY48ZTR75 ELECTRIC ZERO TURN MOWER  
 099749015 TONDEUSE ÉLECTRIQUE ZERO TURN  
 ZERO TURN ÉLECTRIQUE TIPO TRACTOR

48V --- 42 in. (106.7 cm) 75 Ah  
 Cutting Path / Chemin de coupe / Trayectoria de corte

For use only with SC-48 charger. For use only with LPC12-75 or LPC12-100 battery.  
 Utiliser seulement avec SC-48 chargeur. Utiliser seulement avec la batterie LPC12-75 ou LPC12-100.  
 Use sólo con SC-48 cargador. Para utilizar únicamente con la batería LPC12-75 o LPC12-100.

Techtronic Industries Power Equipment  
 P.O. Box 1288, Anderson, SC 29622  
 1-800-860-4050 www.ryobitools.com

Made in China  
 Fabriqué en Chine  
 Fabricado en China

**3**

**⚠ DANGER**

Risk of injury. Keep hands and feet away from rotating blades. Make sure mower and blades are stopped before placing hands or feet near blades. Do not operate mower unless chute deflector or entire grass catcher is in its proper place. Do not put hands or feet under or into mower when motor is running. Before mowing, clear area of objects that may be thrown by the blade.

Etiquetar a español provisto. Llame a 1-800-860-4050 para su sustitución.

**2**

**⚠ DANGER**

Risk of injury. Keep hands and feet away from rotating blades. Make sure mower and blades are stopped before placing hands or feet near blades. Do not operate mower unless chute deflector or entire grass catcher is in its proper place. Do not put hands or feet under or into mower when motor is running. Before mowing, clear area of objects that may be thrown by the blade.

Etiquetar a español provisto. Llame a 1-800-860-4050 para su sustitución.

Assemble chute deflector to this unit before operating.

**4**

**DANGER**

**KEEP HANDS and FEET AWAY**

Sello español siempre.  
 Llame a 1-800-860-4050 para su sustitución.

# ETIQUETAS DE SEGURIDAD

5

## ⚠ WARNING



- Keep all safety devices, guards, shields, and switches in place and in working order.
- Know location and function of all controls.
- Before leaving operator's position, disengage blades, engage parking brake, shut off, and remove key.
- Keep hands and feet away from rotating parts.
- Remove any objects from the mowing area that can be thrown by the blades.
- Store idle ride on mower indoors.



Do not expose battery, battery compartment, or electronic components to rain, water, or liquids. Do not charge battery or expose mower to rain or damp locations.



## ⚠ DANGER

### ROTATING BLADES AND TIP OVER/ROLL OVER CAUSE DEATH OR SERIOUS INJURY - FOLLOW ALL OPERATORS INSTRUCTIONS



- Read operator's manual.
- Do not operate within 100 ft. of children, bystanders, or animals.



- Go up and down slopes, not across.
- Avoid steep slopes greater than 15° and wet slopes.
- If mower stops while going uphill, stop blades, look behind you, and back down slowly.



- Never carry children or anyone even when the blades are off.



- Do not operate mower where it could slip or tip.
- Avoid sudden turns.

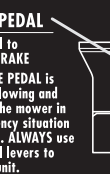
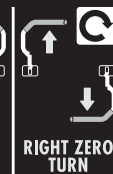
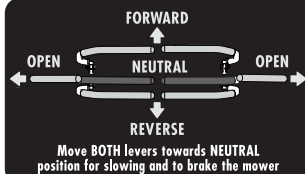
- Mower can be operated in reverse and turned around with blades engaged.
- Always look down and behind you before and when maneuvering in reverse or turning around.
- Mowing in reverse is not recommended.



- Stay at least two mowing widths (7 feet) away from any ditches, drop-offs, or water. Front caster wheels can rotate when mower is stopped, even with brake applied, and cause mower to go over the edge or into the water.

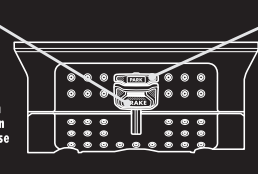
Etiquetar a español provisto. Llame a 1-800-860-4050 para su sustitución.

6



### BRAKE PEDAL

- Push pedal to ENGAGE BRAKE
- The BRAKE PEDAL is used for slowing and stopping the mower in an emergency situation or parking. ALWAYS use the control levers to slow the unit.



### PARKING BRAKE

- PARKING BRAKE ON**
- Push foot over top of BRAKE pedal and down to engage PARKING BRAKE (P)
- PARKING BRAKE OFF**
- Press BRAKE PEDAL to disengage PARKING BRAKE function

**NOTA:** Las etiquetas de su podadora pueden contener traducciones adicionales, o se pueden incluir versiones traducidas por separado de las etiquetas. Las etiquetas traducidas se pueden instalar por encima de las etiquetas que se encuentran actualmente en la podadora. Para una mejor adhesión, limpie y seque siempre la superficie de montaje antes de la instalación.

# CARACTERÍSTICAS

## ESPECIFICACIONES DEL PRODUCTO

Versiones de hardware/software:

Motor de la base.....PM177-07B, PM177-08B/GXDH0116  
 Motor de impulsión..... YPK1002.01, YPK1002.02/  
 ZTR20181130V1.6

Motor.....48 V CA

Ajustes de altura..... 38,1 mm a 114,3 mm (1-1/2 pulg. a 4-1/2 pulg.)

Tamaño de las ruedas ..... 330,2 mm (13 pulg.) delanteras  
 457,2 mm (18 pulg.) traseras

Tamaño de la unidad ..... 106,7 cm (42 pulg.)

Radio de giro ..... 0

Velocidad máx.: Avance ..... 11,3 KM/H (7 MPH)

Podado (cuch. activadas)

y impulso de velocidad baja ..... 8 KM/H (5 MPH)

Reversa.....6,4 KM/H (4 MPH)

Presión de los neumáticos en frío ..... 19 psi (131 kpa) delanteras

18 psi (124,1 kpa) traseras

Corriente de entrada del cargador ..... 120 V, sólo corr. alt, 60 Hz

Tiempo de carga ..... Toda la noche

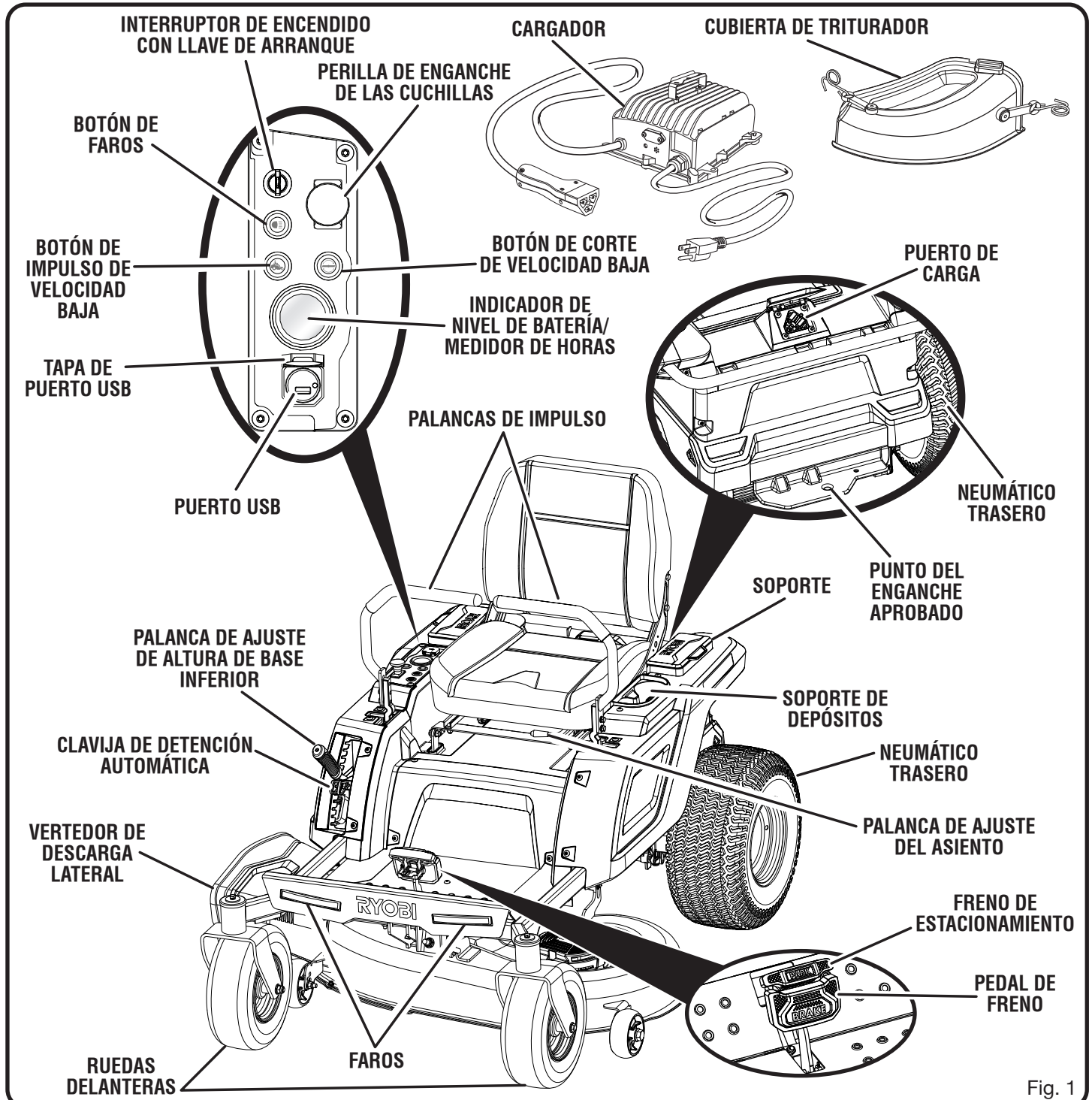


Fig. 1

# CARACTERÍSTICAS

## FAMILIARÍCESE CON SU PODADORA DE PASTO

*Vea la figura 1.*

Para usar este producto con la debida seguridad se debe comprender la información indicada en el producto mismo y en este manual, y se debe comprender también el trabajo que intenta realizar. Antes de usar este producto, familiarícese con todas las características de funcionamiento y normas de seguridad del mismo.

## INDICADOR DE NIVEL DE BATERÍA/ MEDIDOR DE HORAS

El indicador de nivel de batería muestra la cantidad de carga de batería restante. El medidor de horas hace un seguimiento de la cantidad total de horas que se usó la podadora (llave en la posición de encendido) para fines de mantenimiento.

## PERILLA DE ENGANCHE DE LAS CUCHILLAS

Tire de la perilla de enganche de las cuchillas para activar las cuchillas de corte de la podadora. Empuje la perilla hacia abajo para detener las cuchillas de corte.

## PEDAL DE FRENO

El pedal de freno se utiliza para detener la podadora en una situación de emergencia o al estacionar la unidad.

## CARGADOR

El cargador de la podadora tiene una característica para colgar la bocallave, para ahorrar espacio de almacenamiento. Al colgar de las ranuras de la bocallave, use al menos un tornillo adicional en el orificio de la brinda de montaje para asegurarla en el lugar. Siempre instálelo de tal manera que la luz LED de estado del cargador esté visible mientras se carga.

## PALANCAS DE IMPULSO

Las palancas de impulso se utilizan para dirigir la podadora y para encender y detener la unidad durante el funcionamiento normal.

## PALANCA DE AJUSTE DE ALTURA DE BASE INFERIOR

La palanca de ajuste de altura de la base inferior se utiliza para elevar o descender la base de corte. Establezca la clavija de detención automática en la altura de corte que normalmente emplea para facilitar el uso al podar.

## BOTÓN DE FAROS

Encienda y apague los faros utilizando el botón de faros.

## BOTÓN DE CORTE DE VELOCIDAD BAJA

Presione el botón de corte de velocidad baja para prolongar el funcionamiento de la batería cuando la carga de corte sea baja.

## BOTÓN DE IMPULSO DE VELOCIDAD BAJA

Presione el botón de impulso de velocidad baja para limitar la velocidad de la podadora cuando pade en espacios reducidos o en pendientes. Esta configuración también sirve para usuarios inexperimentados mientras aprenden a usar la podadora.

## SOPORTE DE MEDIOS

El soporte de medios ofrece un lugar conveniente para guardar su teléfono celular o su reproductor MP3.

## CUBIERTA DE TRITURADOR

La podadora está equipada con un cubierta de triturador que cubre la abertura de descarga trasera y que permite que las cuchillas de la podadora corten y recorten el pasto más fino.

## FRENO DE ESTACIONAMIENTO

Use el freno de estacionamiento para bloquear la podadora en la posición de frenado.

## INTERRUPTOR DE ENCENDIDO CON LLAVE DE ARRANQUE

El interruptor de encendido se utiliza para encender o apagar la podadora. La llave de arranque se debe insertar antes de hacer funcionar el interruptor. Cuando la llave está en la posición accesoria, el interruptor también se utiliza para alimentar accesorios opcionales de la podadora aprobados por el fabricante.

## PALANCA DE AJUSTE DEL ASIENTO

Utilice la palanca de ajuste del asiento para mover el asiento a la posición deseada.

## PUERTO USB

El puerto de carga para USB proporciona potencia de carga de 5 voltios CC de hasta 2 amperios para su teléfono celular, reproductor de MP3 u otros dispositivos USB. Consulte en el manual de propietario de su dispositivo los requisitos de carga específicos.

Conecte un extremo de un cable USB (no suministrado) a su dispositivo, el otro extremo del cable al puerto de carga USB en el podadora de pasto para comenzar a cargar su dispositivo.

### AVISO:

Si intenta cargar dispositivos de más de 2 amperios podría dañar el puerto de carga para USB y/o el podadora de pasto. Cierre siempre la tapa de USB cuando la entrada no esté en uso para evitar que quede suciedad atrapada en el puerto.

**NOTA:** El puerto USB solo se alimenta cuando la llave de arranque está en la posición de ENCENDIDO.



### ADVERTENCIA:

Nunca utilice auriculares u otros dispositivos electrónicos, como teléfonos inteligentes o tabletas, mientras haga funcionar la podadora. El funcionamiento distraído puede provocar un accidente que podría causar la muerte o lesiones personales graves al operario o a un transeúnte.

# FUNCIONAMIENTO

## **⚠ ADVERTENCIA:**

No permita que su familiarización con este tipo de producto lo vuelva descuidado. Tenga presente que un descuido de un instante es suficiente para causar una lesión grave.

## **⚠ ADVERTENCIA:**

Siempre utilice protección para los ojos con escudos laterales que cumplan con ANSI Z87.1. La inobservancia de esta advertencia puede causar el lanzamiento de objetos a los ojos, y por consecuencia posibles lesiones serias.

## **⚠ ADVERTENCIA:**

Siempre apague la podadora, asegúrese de que las cuchillas se hayan detenido y retire la llave del arranque de la podadora antes de instalar las piezas, realizar ajustes, limpiarla o cuando no la utilice. Esto evitará que la unidad se accione accidentalmente y provoque lesiones graves.

## **⚠ ADVERTENCIA:**

Antes de cada uso, inspeccione todo el producto para detectar algún daño, partes faltantes o sueltas las cuchillas no esté dañada o desgastada. El funcionamiento de la podadora con piezas dañadas o faltantes puede ocasionar lesiones graves.

## **AVISO:**

Antes de cada uso, inspeccione todo el producto para detectar partes dañadas, faltantes o sueltas, como tornillos, tuercas, pernos, tapas, etc. Apriete firmemente todos los sujetadores y las tapas y no accione este producto hasta que todas las partes faltantes o dañadas sean reemplazadas. Póngase en contacto con el servicio al cliente o con un centro de servicio autorizado para obtener ayuda.

## USOS

Esta herramienta puede emplearse para el fin señalado abajo:

- Podar el pasto

## INSTALACIÓN DE LA CUBIERTA DE TRITURACIÓN

Vea la figura 2.

La podadora está configurado para la descarga lateral cuando se envía. Si desea la operación de trituración:

- Levante el vertedor de descarga lateral.
- Coloque la cubierta de trituración en la lengüeta del alojamiento de la podadora.
- Conectar los seguros de la cubierta de trituración a los dos puntos de montaje laterales en el alojamiento de la base inferior de la podadora.
- Suelte el vertedor de descarga lateral.

## **⚠ ADVERTENCIA:**

Asegúrese de que el vertedor de descarga lateral se cierre completamente cuando finalice. La inobservancia de esta advertencia puede causar lesiones personales de gravedad.

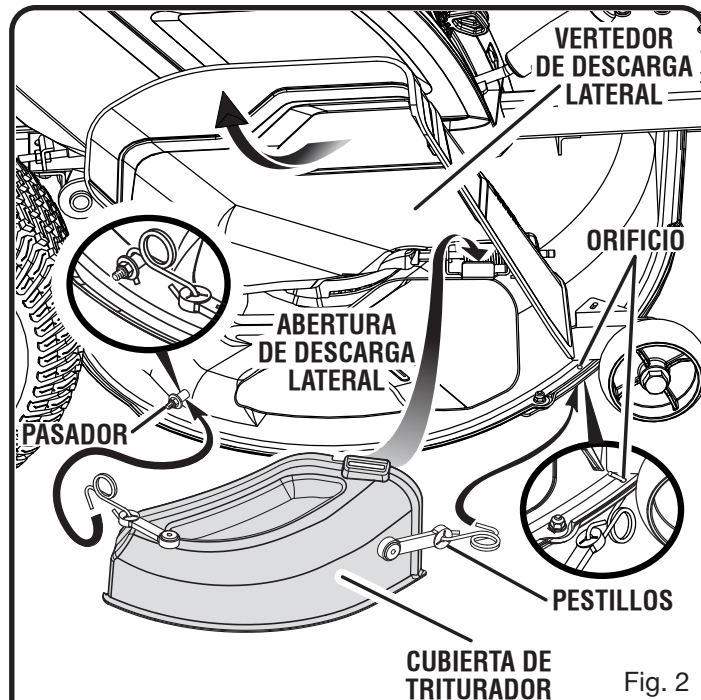


Fig. 2

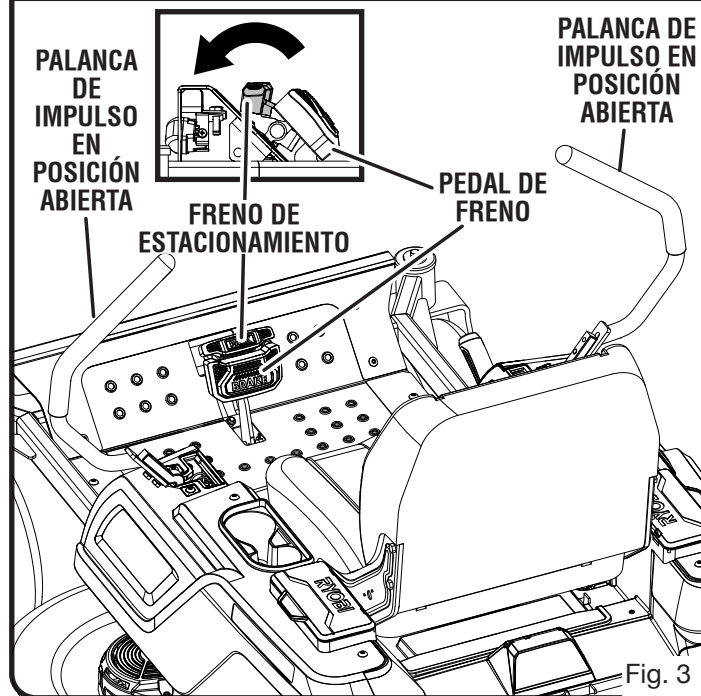


Fig. 3

## COLOCACIÓN DEL FRENO DE ESTACIONAMIENTO

Vea la figura 3.

Para colocar el freno de estacionamiento:

- Coloque las palancas de impulso en posición abierta.
- Oprima hasta el fondo y sostenga el pedal de freno.
- Presione el pie hacia delante y apriete completamente el freno de mano con los dedos del pie.
- Suelte el pedal de freno.

# FUNCIONAMIENTO

- **Para soltar la palanca de freno de estacionamiento:** oprima y suelte el pedal de freno.

## **!** ADVERTENCIA:

Nunca deje la podadora sin supervisión cuando el motor esté funcionando o con la llave colocada en el interruptor de encendido. Verificar que el freno de estacionamiento y la llave se ha eliminado. Si no coloca el freno de estacionamiento podría provocar que se mueva la podadora, y al dejar la llave podría permitir el uso sin autorización, lo que podría provocar lesiones físicas graves.

## AJUSTE DEL ASIENTO

Vea la figura 4.

Ajuste la posición del asiento para asegurarse de que esté en contacto firme con el pedal de freno antes de hacer funcionar la podadora.

### Para mover el asiento:

- Gire la llave a la posición de APAGADO y coloque el freno de estacionamiento.
- Siéntese en el asiento y levante la palanca de ajuste del asiento.
- Mientras sostiene la palanca, deslice el asiento hasta la posición deseada.
- Suelte la palanca y asegúrese de que el asiento esté trabado en su posición antes de hacer funcionar la podadora.

## **!** ADVERTENCIA:

Asegúrese de que el asiento esté en su lugar antes de hacer funcionar la podadora. Un asiento que no está asegurado puede provocar que el operario pierda el control de la podadora y causar una posible muerte o heridas físicas graves.

## ESTABLECER LA ALTURA DE LA BASE DE CORTE

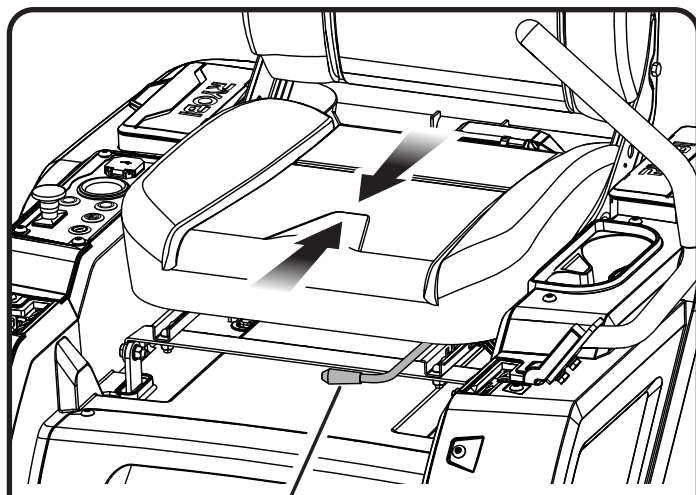
Vea la figura 5.

Antes de utilizar la podadora, levante la altura de la base a la posición de corte que mejor se aplica a su pasto.

**NOTA:** Para prevenir la formación de calvas en el pasto cuando se encuentre con lugares altos, las ruedas de la base de corte debe estar aproximadamente a 12,7 mm (1/2 pulg.) del suelo cuando la podadora esté a la altura de corte deseada. Cuando se envían, las ruedas de la base de corte están ajustadas en una posición de 38,1 mm (1,5 pulg.). Dependiendo de la altura deseada de corte, puede ser necesario cambiar la posición de las ruedas de la base de corte. Para hacerlo, consulte **Ajuste de las ruedas de la base de corte** en la sección *Mantenimiento* de este manual.

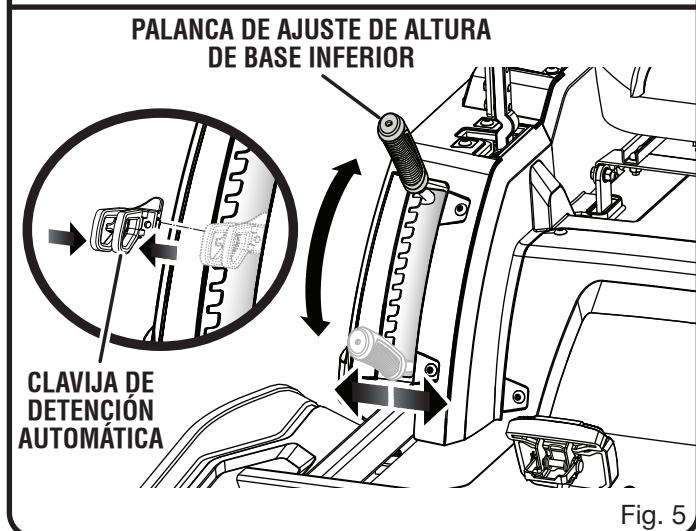
### Para ajustar la altura de la base de corte:

- Detenga la podadora y desactive las cuchillas.
- Gire la llave a la posición de APAGADO y coloque el freno de estacionamiento.
- Para levantar la base de corte, tome la palanca de ajuste de altura de la base, presione hacia la izquierda para



PALANCA DE AJUSTE DEL ASIENTO

Fig. 4



PALANCA DE AJUSTE DE ALTURA DE BASE INFERIOR

Fig. 5

desenganchar desde la ranura, muévala hacia la parte trasera de la podadora; luego, presione hacia la derecha en la ranura para asegurar.

- Para bajar la base de corte, tome la palanca de ajuste de altura de la base, presione hacia la izquierda para desenganchar desde la ranura, muévala hacia la parte delantera de la podadora; luego, presione hacia la derecha en la ranura para asegurar.

## **!** PRECAUCIÓN:

Sostenga la palanca de ajuste de altura de la base cuando ajuste la altura y suéltela únicamente cuando esté segura en la ranura deseada. Soltar rápidamente la palanca puede apretar o producir riesgo de tracción en la mano del operario.

**NOTA:** Una vez que haya determinado la altura de corte apropiada del césped, coloque la clavija de detención automática justo debajo de esa posición para volver fácilmente a la altura de corte de podado correcta cuando quiera.



# FUNCIONAMIENTO

## CARGA DE LA PODADORA

Vea las figuras 6 y 7.



### ADVERTENCIA:

Cargue las baterías de la podadora solamente en interiores, en un lugar seco. No exponga la podadora a la lluvia o a lugares húmedos, ni cargue la batería en esas condiciones. El agua y otros líquidos podrían entrar en contacto con los componentes de la podadora y la batería, y dañar las conexiones y los componentes electrónicos, lo que podría causar un corto circuito, mayor riesgo de incendio y lesiones personales graves.

Las baterías de la podadora se deben cargar durante toda la noche antes de su primer uso. Para verificar que las baterías de la podadora estén completamente cargadas, controle el indicador de nivel de batería.

### Para obtener resultados óptimos:

- No cargue la batería en un área con temperaturas extremadamente altas o bajas.
- Nunca cargue una batería congelada.
- Instale o coloque el cargador en un área con ventilación adecuada, idealmente con el cargador en posición horizontal con las aletas de ventilación hacia arriba.

### Para cargarlo:

- Asegúrese que las conexiones, tanto del cargador como de la podadora, estén limpias sin suciedad o desechos.
- Introduzca la clavija del cargador en el enchufe de entrada on mower, asegurándose de que estén conectados debidamente.
- Conecte el cargador en la toma de corriente usarse sólo con el voltaje doméstico normal, de 120 V, 60 Hz, corr. alt. Las baterías deben comenzar a cargar automáticamente.

**NOTA:** El cargador está equipado con una clavija con una pata para puesta a tierra y se debe enchufar en el tomacorriente estándar correspondiente provisto de una clavija de tres puntas que haya sido instalado y puesto a tierra de acuerdo con todos los códigos y ordenanzas locales. No utilice un tomacorrientes de dos patas, adaptadores ni modifique la clavija provista. Si no entra en la toma de corriente, llame

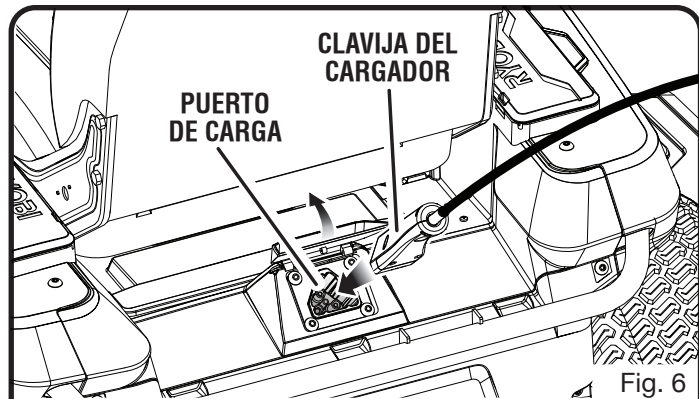


Fig. 6

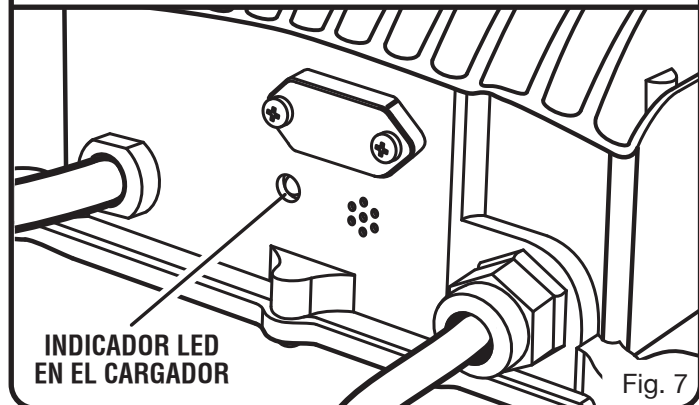


Fig. 7

a un electricista calificado para que instale una toma de corriente adecuada.

- Cuando se enciende y conecta a la podadora, el indicador LED en el cargador se iluminará para indicar el estado del cargador. Consulte la tabla a continuación para determinar el significado de la visualización del LED.
- Cuando esté listo para podar, desconecte el cargador del suministro de alimentación y, luego, desconecte el cargador de la podadora.

### AVISO:

Coloque siempre el interruptor de encendido en la posición de APAGADO y quite la llave de la podadora cuando no esté en uso.

INDICADOR LED	ESTADO DE LA BATERÍA/CARGADOR
Parpadeo corto de luz verde	Las baterías tienen menos del 80 % de carga.
Parpadeo largo de luz verde	Las baterías tienen más del 80 % de carga.
Luz verde continua	Las baterías están completamente cargadas.
Los siguientes códigos LED indican una condición de error del cargador. Para obtener detalles acerca de cómo reparar el error, consulte los pasos en la sección <i>Solución de problemas</i> al final de este manual.	
La luz roja se enciende brevemente y después se apaga	Controle si el voltaje de CA al cargador es válido.
Una luz parpadeante roja	Falla en el cargador
Dos luces parpadeantes rojas	Falla del voltaje de la batería
Tres luces parpadeantes rojas	Límite de tiempo de carga de la batería: Tiempo de carga excedido
Cuatro luces parpadeantes rojas	Falla de la batería: Tiempo de carga excedido
Cinco luces parpadeantes rojas	Retardo de temperatura
Seis luces parpadeantes rojas	Falla del cargador

# FUNCIONAMIENTO

## AVISO:

Conecte siempre la podadora al cargador cuando la unidad no esté en uso. Si no es posible dejar el cargador de la podadora conectado, asegúrese de cargar las baterías por completo al menos una vez por mes.

## SISTEMA DE SEGURIDAD

Vea la figura 9.

Esta podadora contiene un sistema de seguridad para proteger al operario desactivando las cuchillas si el operario abandona el asiento con las cuchillas funcionando. Pruebe el sistema antes de cada uso para asegurarse de que esté funcionando correctamente.

### Para probarlo:

- Estacione la podadora en una superficie nivelada.
- Coloque el freno de estacionamiento.
- Asegúrese de que las palancas de impulso estén en posición neutra y que la perilla de activación de las cuchillas se encuentre hacia abajo.
- Instale la llave de arranque y gírela hacia la posición de ENCENDIDO.
- Levante la perilla de activación de las cuchillas para activarlas.
- Levántese brevemente del asiento, pero no descienda de la podadora.

Las cuchillas deberán desactivarse en 5 segundos. Si no lo hacen, comuníquese con el servicio al cliente. No haga funcionar la podadora hasta que el sistema de seguridad haya sido reparado.

## APRENDER A CONDUCIR LA PODADORA

Vea las figuras 10 a 12.

Usar una podadora de giro cero no es lo mismo que usar una podadora montable estándar. Las podadoras de giro cero tienen impulso en las ruedas traseras, y las ruedas funcionan de manera independiente según la posición de las palancas de impulso. Antes de comenzar a podar el césped, le recomendamos especialmente que busque un área grande, nivelada y abierta para practicar, siguiendo las instrucciones que aparecen a continuación. Una vez que pueda realizar estas maniobras de manera cómoda y confiable, estará listo para comenzar a podar.



## ADVERTENCIA:

Despeje el área de personas que se encuentren en las inmediaciones antes de comenzar a usar la podadora. Si alguien ingresa al área de práctica, deténgase de inmediato y no siga practicando hasta que estas personas salgan del área.

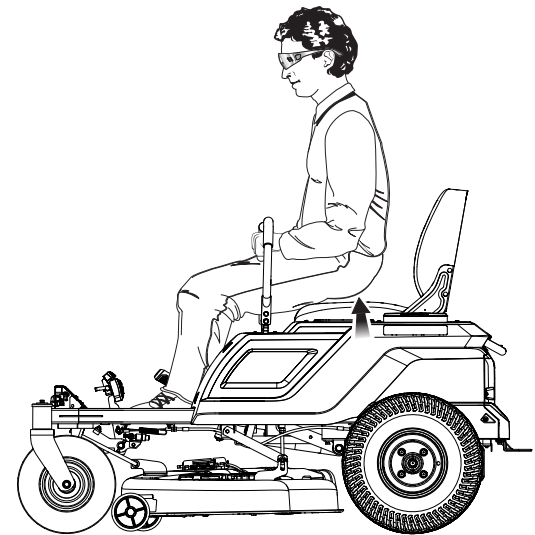


Fig. 9

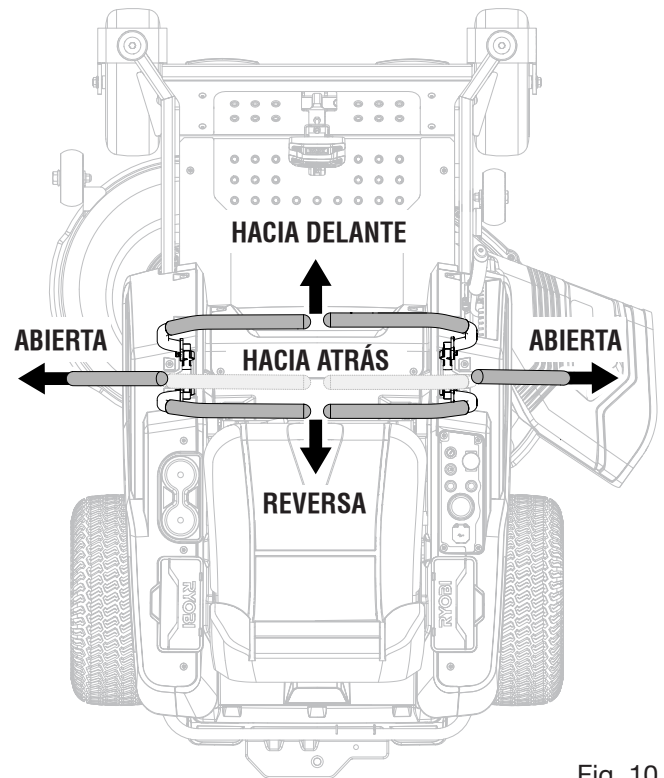


Fig. 10



## ADVERTENCIA:

Evite arranques, detenciones y giros repentinos, así como también la velocidad excesiva, especialmente cuando esté aprendiendo a usar la podadora. La podadora podría girar rápidamente, lo que puede hacer que usted pierda el control y ocasionar la muerte, lesiones personales graves o daños en la podadora. Active la función de impulso de velocidad baja para limitar la velocidad disponible hasta que se sienta totalmente capacitado para usar la podadora en todas las situaciones.

# FUNCIONAMIENTO

Las dos palancas de impulso se utilizan para controlar la dirección de la podadora, así como también para arrancarla y detenerla.



## ADVERTENCIA:

Mantenga ambas manos en las palancas de impulso en todo momento cuando la podadora esté en movimiento. No suelte las palancas de impulso para disminuir la velocidad de la podadora o detenerla. Si suelta las palancas de impulso con la podadora en movimiento, usted podría perder el control y sufrir la muerte o lesiones personales graves, u ocasionar daños en la podadora.

## AVISO:

Cuando se utilice la palabra “juntas” en las siguientes instrucciones, significa que ambas palancas de impulso (izquierda y derecha) deben estar parejas o alineadas, cualquiera sea la posición que se describe. Si una de las palancas está en una posición diferente, obtendrá otro resultado que el descrito.

- Cuando ingrese al asiento de la podadora o salga de él, tanto la palanca de impulso derecha como la izquierda deben estar en posición **abierta** (hacia fuera con respecto al asiento en ambas direcciones).
- Una vez que esté sentado y listo para comenzar a podar, presione y suelte el pedal del freno para asegurarse de liberar el freno de mano.
- Inserte la llave de arranque y gírela hacia la posición de ENCENDIDO.
- Lleve ambas palancas totalmente hacia dentro, en dirección al asiento. Esta es la posición **neutra**, que se utiliza para encender la podadora y también para detenerla de manera gradual.
- Presione el botón de impulso de velocidad baja para activar este modo.
- Lleve ambas palancas de impulso juntas hacia delante (pasando la posición neutra) para **avanzar** con la podadora en línea recta. Mientras más hacia delante se lleven las palancas, más rápido irá la podadora. Para disminuir la velocidad, lleve ambas palancas juntas nuevamente a la posición neutra.
- Lleve ambas palancas de impulso juntas hacia atrás (antes de la posición neutra) para **retroceder** con la podadora en línea recta. Mientras más hacia atrás se lleven las palancas, más rápido irá la podadora. Para disminuir la velocidad, lleve ambas palancas juntas nuevamente a la posición neutra.
- Para girar, no deberá mover las palancas de impulso juntas. Una palanca de impulso estará delante o detrás de la otra, según la dirección en la que quiera desplazarse (hacia delante o hacia atrás) y la dirección de giro deseada. Si desea conducir hacia delante, la palanca de impulso en posición trasera controlará la dirección del giro. Si desea conducir en reversa, la palanca en posición delantera controlará la dirección del giro.

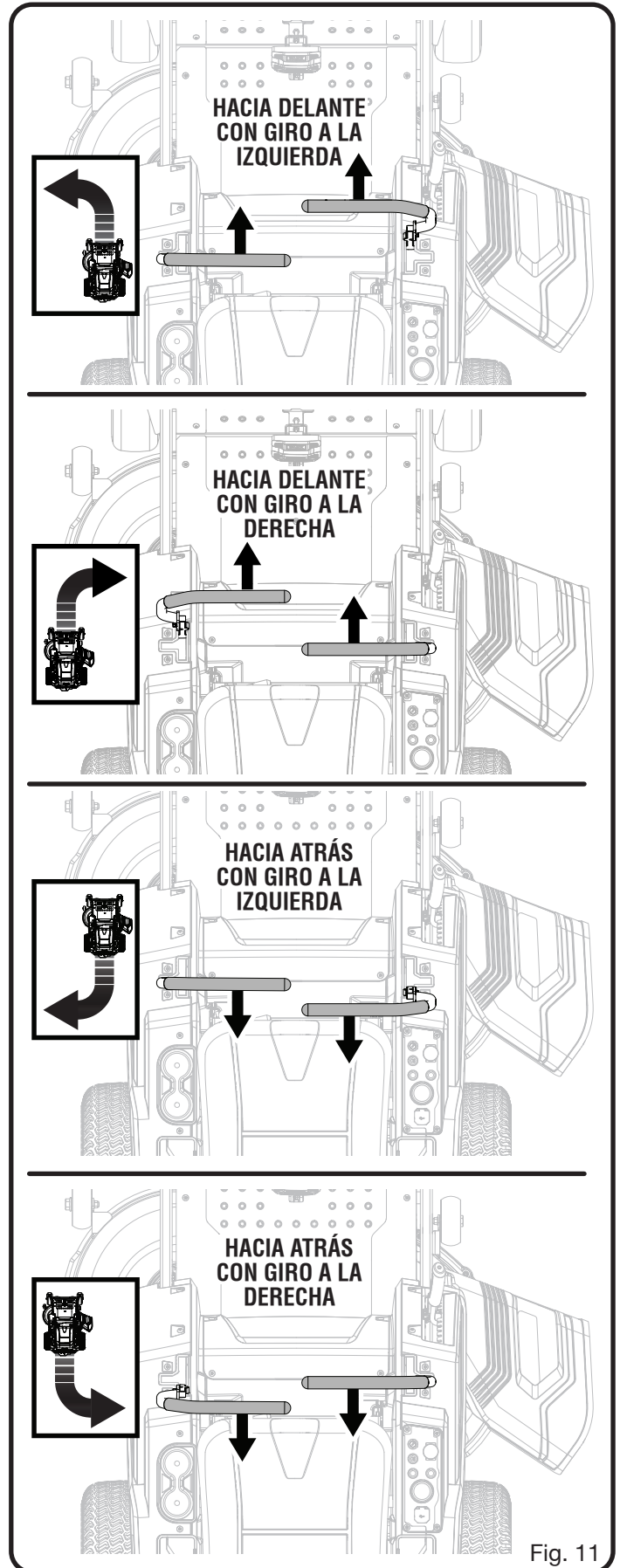


Fig. 11

# FUNCIONAMIENTO

- Para hacer un giro cero, disminuya la velocidad, pero asegúrese de que las ruedas traseras aún estén en movimiento. Luego, mueva las palancas de impulso en dirección opuesta, una pasando la posición neutra y la otra en posición anterior a neutra. La posición de las palancas determinará la dirección del giro.

**NOTA:** Realice giros cero a baja velocidad para evitar daños en el césped.

## FUNCIONAMIENTO DE LA PODADORA

Vea las figuras 9 a 14.

### **ADVERTENCIA:**

Despeje el área de transeúntes antes de hacer funcionar la podadora. Si alguien ingresa al área de podado, deténgase de inmediato y no vuelva a podar hasta que los transeúntes despejen el área.

### Antes de encender la podadora:

- Asegúrese de que el área de trabajo esté despejada de niños, transeúntes y mascotas.
- Despeje el área de trabajo de objetos que pueden ser arrojados por las cuchillas de la podadora.
- Controle el funcionamiento del freno.
- Controle la presión de los neumáticos.
- Controle que no haya tornillos flojos.
- Controle que todas las protecciones estén en su lugar y funcionando correctamente.
- Limpie los desechos de la podadora.
- Pruebe el sistema de seguridad.
- Ajuste el asiento en la posición deseada.
- Verifique el nivel de carga de la batería del dispositivo.

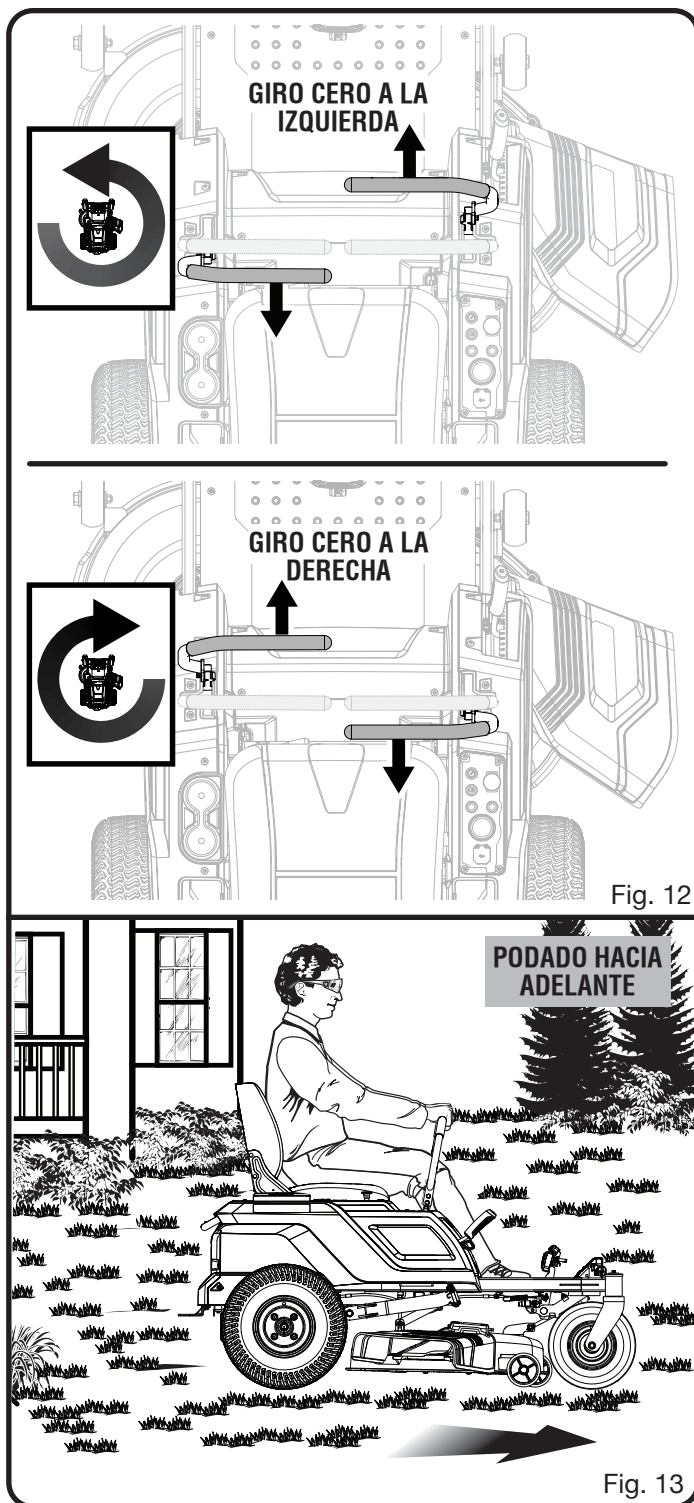
### **AVISO:**

Cuando el nivel de carga de la batería alcance la zona roja en el indicador de carga de la batería, las cuchillas se desactivarán automáticamente. Vuelva de inmediato a la recarga. Continuar podando cuando el nivel de carga de la batería está en la zona roja puede provocar que la podadora se aparte del área de carga.

**NOTA:** Si la podadora continúa apartándose del cargador, será necesario colocar los palancas de impulso en posición neutra y volver a colocar la podadora a la ubicación de carga.

### Podado:

- Levante la base de la podadora a la posición más alta.
- Asegúrese de que las palancas de impulso estén en posición abierta.
- Inserte la llave de arranque y gírela hacia la posición de ENCENDIDO.
- Suelte el freno de estacionamiento.
- Mueva las palancas de impulso a la posición neutra, luego diríjase hasta la ubicación de podado deseada.
- Detenga la podadora, gire la llave hacia la posición de APAGADO y coloque el freno de estacionamiento.



# FUNCIONAMIENTO

- Baje la base de corte a la posición deseada.
- Gire la llave a la posición de ENCENDIDO y suelte el freno de estacionamiento.
- Levante la perilla de activación de las cuchillas para activar las cuchillas y para podar como lo desea.

## **!** PELIGRO:

Manténgase a, al menos, dos anchos de podado (2,13 m [7 pies]) de cunetas, caídas o agua. Las ruedas delanteras podrían girar cuando la podadora esté detenida, incluso con el freno colocado, y hacer que la podadora caiga en un pozo o al agua, lo que podría causarle la muerte o lesiones personales graves.



## **!** ADVERTENCIA:

Tenga precaución al cruzar caminos de ripios o aceras. Antes de cruzar, desactive las cuchillas y levante la base de corte a la posición más alta para minimizar la posibilidad de rebote. Conduzca lentamente para evitar la pérdida de tracción y de control.

## **!** ADVERTENCIA:

No pade en reversa a menos que sea sumamente necesario. Mire siempre hacia abajo y hacia atrás antes y mientras retrocede para asegurarse de que no ingresen niños, transeúntes o mascotas en el área de podado. Tenga presente que un descuido de un instante es suficiente para infligir la muerte o una lesión grave.

## **!** ADVERTENCIA:

Tenga especial cuidado antes y mientras retrocede y gire si el juego para embolsadora está instalado, ya que puede limitar la visión. Siempre controle que atrás o debajo no haya niños, transeúntes o mascotas y mueva la podadora lentamente para evitar accidentes mientras retrocede, ya que pueden causar la muerte o lesiones personales graves.

## **!** ADVERTENCIA:

No intente cambiar la dirección de manera repentina entre “hacia delante” y “hacia atrás” con la podadora en movimiento. Deténgase siempre por completo antes de cambiar la dirección de la podadora para evitar la pérdida de control y evitar la muerte o lesiones personales graves.

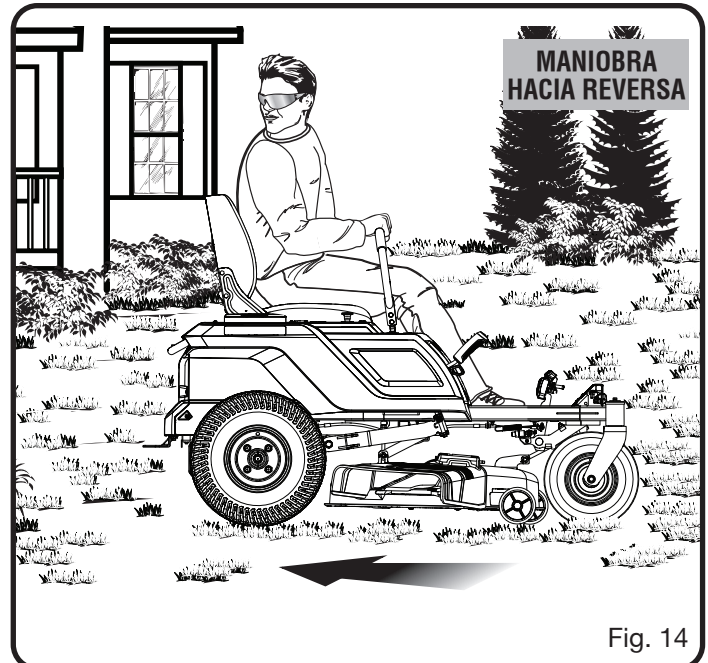


Fig. 14

### Quando se complete el podado:

- Detenga la podadora en una superficie llana y nivelada llevando las palancas de impulso juntas a la posición neutra. No detenga la podadora sobre una pendiente.
- Presione la perilla de activación de las cuchillas para desactivarlas.
- Coloque las palancas de impulso en posición abierta.
- Coloque el freno de estacionamiento.
- Gire la llave hacia la posición de APAGADO.
- Retire la llave de arranque si va a abandonar la podadora, incluso si lo hará por un breve período.

## **!** ADVERTENCIA:

Si el podadora emite un pitido después de salir del asiento, verificar que el freno de estacionamiento y la clave se ha eliminado. Si no coloca el freno de estacionamiento podría provocar que se mueva la podadora, y al dejar la llave podría permitir el uso sin autorización, lo que podría provocar lesiones físicas graves.

# FUNCIONAMIENTO

## SUGERENCIAS PARA EL PODADO

Vea la figura 15.

- Mantenga las cuchillas afiladas.
- Asegúrese de que el pasto no tenga piedras, palos, alambres, juguetes, frutos secos, ramas de árboles, ni otros objetos que puedan dañar las cuchillas o el motor de la podadora de pasto. No corte sobre estacas que indican los límites de la propiedad o sobre otros postes metálicos. Dichos objetos podrían ser dañados o lanzados accidentalmente por la podadora en cualquier dirección y provocar lesiones serias al operador y a otras personas.
- Para tener un pasto saludable, siempre corte un tercio o menos de la longitud total de la hierba.
- Cuando ponde áreas grandes, comience girando a la derecha para que las hierbas se descarguen lejos de los arbustos, los cercos, las aceras, etc. Después de una o dos vueltas, ponde hacia atrás y hacia adelante en el césped, girando sobre el borde de la superficie ya podada.

### AVISO:

Para evitar daños en la podadora, conduzca a velocidad baja cuando gire, en lugar de hacerlo en un círculo cerrado.

- Al cortar hierba frondosa, reduzca la velocidad para poder obtener un corte más eficaz y una descarga adecuada de los recortes.
- No corte la hierba cuando esté mojada. Si poda en superficies húmedas, podría perder el control, y el césped húmedo se pegará a la parte inferior del piso e impedirá evita el embolsado o la trituración adecuada del pasto cortado.
- La hierba nueva o gruesa puede requerir un corte más bajo o una mayor altura de corte.
- Mantenga limpios la base de la podadora y el vertedor de descarga. Quite la hierbas, hojas, polvo y otra suciedad acumulada antes y después de cada uso. No la rocíe con una manguera de jardín para limpiarla.

**NOTA:** Siempre detenga la podadora, espere a que las cuchillas se detengan por completo y retire la llave del arranque de fusible antes de limpiar debajo de la podadora.

## MANEJO EN PENDIENTES

Vea la figura 16.

### PELIGRO:

Las pendientes son un factor importante relacionado con vuelcos y accidentes de vuelcos, lo que provocar la muerte o la lesiones graves. El manejo en pendientes requiere precaución extra. Si se siente inseguro en una pendiente, no la ponde. Para su seguridad, no intente podar pendientes steep de más de 15 grados. No retroceda en pendientes hacia abajo, a menos que la podadora se detenga cuando suba una. En esa situación, detenga las cuchillas, mire hacia atrás y retroceda lentamente. Haga una copia o copie la imagen guía de la pendiente más adelante en este manual y utilícela para determinar si su pendiente es demasiada pronunciada para el funcionamiento seguro.

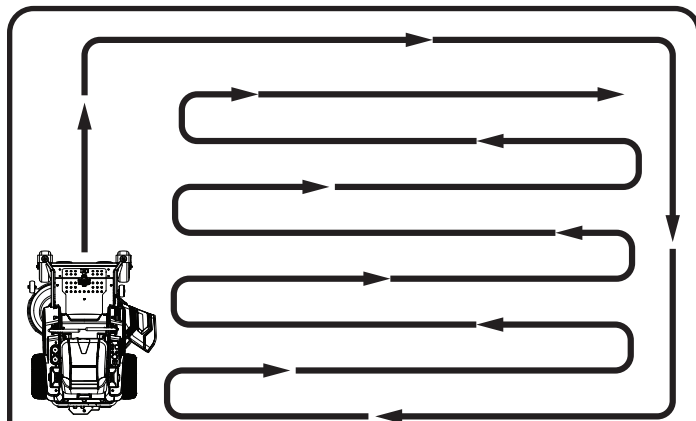


Fig. 15

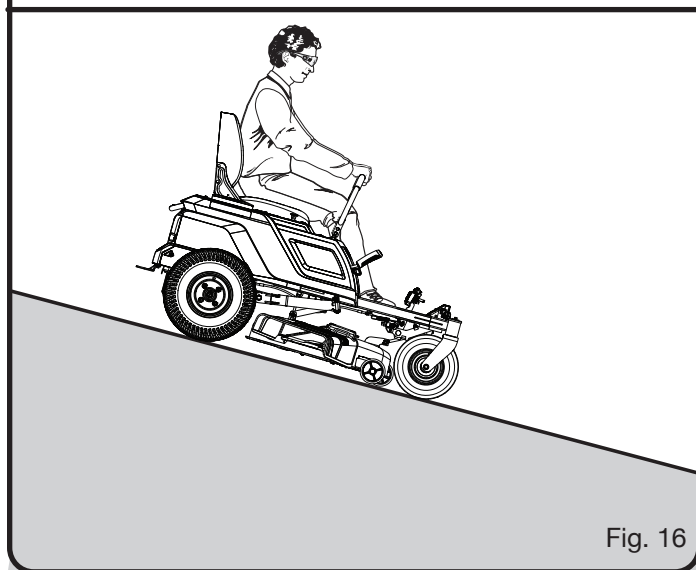


Fig. 16

- Ponde las pendientes en sentido ascendente y descendente, no en sentido transversal.
- No ponde el pasto húmedo. El pasto húmedo puede causar que los neumáticos pierdan tracción o se deslicen sobre las pendientes, incluso cuando los frenos funcionen correctamente.
- Tenga cuidado con los pozos, surcos, piedras, objetos ocultos o montículos que puedan provocar que se resbale o tropiece. La hierba alta puede ocultar obstáculos. Retire todos los objetos como piedras, ramas de árboles, etc., que puedan provocar tropezones o ser lanzados por la cuchilla.
- No ponde el pasto cerca de precipicios, zanjas o terraplenes.
- Conduzca lentamente y no haga cambios repentinos de velocidad o de dirección.
- Evite detenerse en las pendientes mientras sea posible. Si la detención es inevitable, asegúrese de colocar el freno de estacionamiento. Cuando vuelva a arrancar, utilice la menor velocidad posible. Si es necesario girar, utilice extrema precaución al cambiar de dirección y siempre gire en sentido descendente.
- Nunca intente estabilizar la podadora sobre una pendiente colocando el pie en el suelo durante el funcionamiento.

# FUNCIONAMIENTO

- Si utiliza el juego para embolsadora opcional, tenga extrema precaución y haga funcionar la podadora lentamente en pendientes, ya que el juego para embolsar puede cambiar la estabilidad de la podadora.
- Use siempre las palancas de impulso y los frenos cuando descienda de la pendiente. No intente dejar la podadora descendiendo de la pendiente en neutro.
- Si en algún punto los neumáticos pierden tracción mientras esté funcionando en una pendiente, desactive las cuchillas y proceda lentamente y con cuidado descendiendo de la pendiente en línea recta.
- Si la podadora se detiene mientras sube una pendiente, detenga las cuchillas, mire hacia atrás y retroceda lentamente.

## TRANSPORTE DE LA PODADORA

Vea la figura 17.



### ADVERTENCIA:

Tenga sumo cuidado cuando cargue o descargue la máquina en un remolque. Presione el botón de impulso de velocidad baja y mueva con cuidado las palancas de impulso según sea necesario para controlar la velocidad. Cuando cargue la podadora en un remolque, hágalo siempre en reversa. Cuando cargue o descargue la podadora, no exceda el ángulo máximo operativo recomendado de 15°. Si no sigue estas instrucciones, puede perder el control y causar la muerte, lesiones personales graves o daño a la propiedad.



### ADVERTENCIA:

Tenga cuidado al cargar o descargar la podadora en un remolque. Asegúrese de que la base de corte esté levantada en la posición más alta para que no quede atascada en la rampa. Las ruedas de la podadora pueden salirse de la rampa o del remolque, provocando que la podadora rebote o vuelque, y causar un peligro de choque que podría provocar la muerte o heridas físicas graves.

- Estacione la podadora en una superficie nivelada.
- Levante la base de corte hacia la posición más alta.

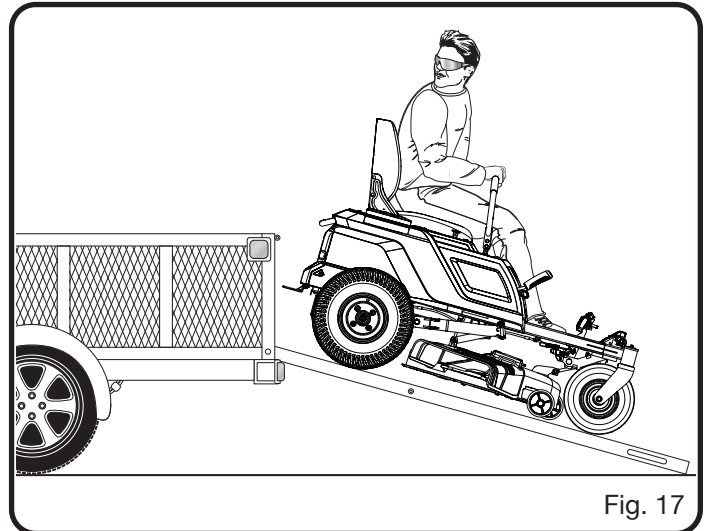


Fig. 17

- Coloque y asegure la rampa en el remolque según las instrucciones del fabricante.

**NOTA:** Recomendamos utilizar una rampa de carga amplia con al menos 304,8 mm (1 pie) más ancho que la podadora para minimizar el riesgo de que las ruedas de la podadora se salgan de los laterales de la rampa.

- Conduzca lentamente la podadora hacia atrás sobre la rampa hacia el remolque.
- Descienda la base de podadora por completo.
- Coloque el freno de estacionamiento.
- Apague la podadora y quite la llave.
- Asegure la podadora según sea necesario, utilizando correas o cables para prevenir el movimiento durante el transporte.



### ADVERTENCIA:

Para evitar un arranque o movimiento accidental que pueda provocar lesiones personales graves, siempre extraiga la llave de arranque y coloque el freno de estacionamiento cuando transporte la podadora.

# MANTENIMIENTO

## **⚠ ADVERTENCIA:**

Al dar servicio a la unidad, detenga la podadora en una superficie nivelada, espere a que se detengan por completo las cuchillas, coloque el freno de estacionamiento, y quite la llave de arranque para evitar el arranque accidental y posibles lesiones graves.

## **⚠ ADVERTENCIA:**

Siempre póngase protección ocular con protección lateral con la marca de cumplimiento de la norma ANSI Z87.1. Si no cumple esta advertencia, los objetos que salen despedidos pueden producirle lesiones serias en los ojos.

## **⚠ ADVERTENCIA:**

Al dar servicio a la unidad, sólo utilice piezas de repuesto autorizadas. El empleo de piezas diferentes puede causar un peligro o dañar el producto.

## **⚠ ADVERTENCIA:**

Cumpla estrictamente todas las especificaciones de ajuste con la llave dinamométrica. La inobservancia de esta advertencia podría causar lesiones personales graves.

## **AVISO:**

Inspeccione periódicamente todo el producto para detectar partes dañadas, faltantes o sueltas, como tornillos, tuercas, pernos, tapas, etc. Apriete firmemente todos los sujetadores y las tapas y no accione este producto hasta que todas las partes faltantes o dañadas sean reemplazadas. Póngase en contacto con el servicio al cliente o con un centro de servicio autorizado para obtener ayuda.

## MANTENIMIENTO GENERAL

Evite el empleo de solventes al limpiar piezas de plástico. La mayoría de los plásticos son susceptibles a diferentes tipos de solventes comerciales y pueden resultar dañados. Utilice paños limpios para eliminar la suciedad, el polvo, el aceite, la grasa, etc.

## **⚠ ADVERTENCIA:**

No permita en ningún momento que fluidos para frenos, gasolina, productos a base de petróleo, aceites penetrantes, etc., lleguen a tocar las piezas de plástico. Las sustancias químicas pueden dañar, debilitar o destruir el plástico, lo cual a su vez puede producir lesiones corporales serias.

Elimine la hierba y las cuchillas acumuladas sobre la cubierta del motor o a su alrededor. Limpie ocasionalmente la podadora con un paño seco. No utilice agua.

## AJUSTE DE LAS RUEDAS DE LA BASE DE CORTE

Veá la figura 18.

Las ruedas de la base de corte deben estar posicionadas aproximadamente a 12,7 mm (1/2 pulg.) del suelo cuando la podadora se encuentre a la altura de corte deseada. Esto minimizará la formación de calvas en el pasto en la mayoría de las situaciones. Cuando se envían, las ruedas están posicionadas en la Posición A.

### Para ajustar las ruedas de la base de corte:

- Estacione la podadora en una superficie nivelada y coloque el freno de estacionamiento.
- Detenga el motor y quite la llave de arranque. Permita que las cuchillas se detengan por completo.
- Levante la base de corte a la altura deseada.
- Quite la tuerca y el tornillo que sostienen la rueda de la base de corte en su lugar.
- Mueva la rueda hacia la posición deseada. Mueva la rueda hacia la posición deseada. Las posiciones de orificios disponibles son 38,1 mm (1,5 pulg.) (A), 44,5 mm (1,75 pulg.) (B) y 57,2 mm (2,25 pulg.) (C).
- Vuelva a colocar el tornillo y la tuerca; ajuste firmemente. Aplique par de torsión de 0,5 a 0,8 kg/m (4 a 6 pie.-lb) a la tuerca.
- Repita la operación con la rueda restante de la base de corte, asegurándose que ambas ruedas estén instaladas en la misma posición.

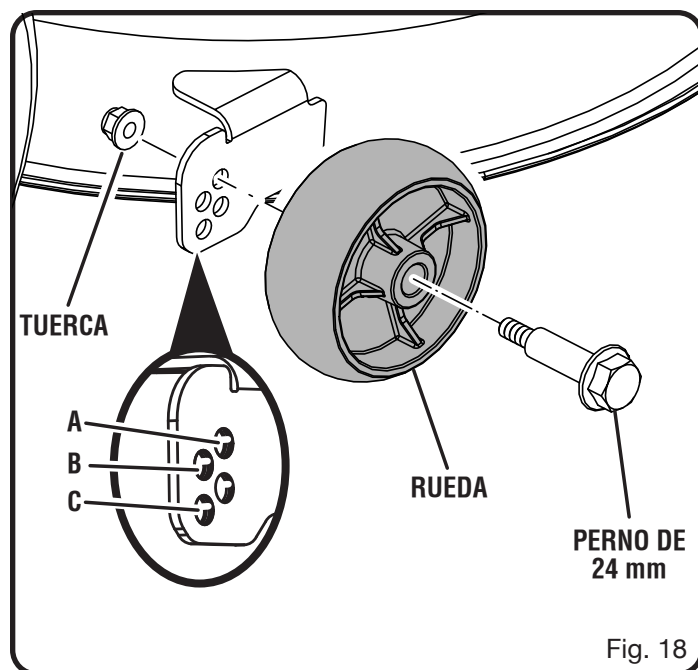


Fig. 18



# MANTENIMIENTO

## REEMPLAZO DE LAS CUCHILLAS

Vea las figuras 19 y 20.

### **⚠ ADVERTENCIA:**

Utilice únicamente cuchillas y pernos de reemplazo autorizados por el fabricante de su podadora tipo tractor. Las cuchillas o los pernos de cuchilla no autorizados podrían romperse, lo que podría aflojar la cuchilla y causar lesiones personales graves y daños en la podadora.

**NOTA:** Asegúrese de volver a colocar todas las piezas en el orden exacto en que fueron retiradas.

- Asegúrese de que las palancas de impulso estén en posición abierta y que la perilla de activación de las cuchillas se encuentre hacia abajo.
- Apague el motor, retire la llave del arranque et coloque el freno de estacionamiento.
- Levante la altura de la base de corte a su posición más alta para permitir el acceso a las cuchillas.

**NOTA:** Si es necesario, levante la podadora colocando un elevador o utilizando un gato hidráulico y un gato estabilizador pour de tener acceso a las cuchillas.

### **⚠ ADVERTENCIA:**

Si levanta la podadora para acceder las cuchillas, asegúrese de que la podadora se encuentre asegurada correctamente y el freno de estacionamiento esté colocado antes de proceder. Si no asegura la podadora correctamente puede provocar una caída, lo que podría causar la muerte o posibles lesiones físicas graves.

- Introduzca a presión un bloque de madera entre la cuchilla y el piso de la podadora para evitar que la cuchilla gire.
- Afloje la tuerca de la cuchilla al girarlo a la izquierda (como se observa en la base de la podadora) usando una llave de tuercas o de boca tubular de 15 mm (no se suministra).
- Retire la tuerca de la cuchilla, la arandela de resorte y la cuchilla.
- Coloque la cuchilla nueva en el eje contra los montantes de cuchilla correspondientes. Asegúrese de que la cuchilla esté correctamente asentada con el eje pasando por el orificio central de la cuchilla y los dos postes insertados en los respectivos orificios sobre la cuchilla. Asegúrese de que esté instalada con los extremos curvos orientados hacia arriba, donde está el piso de la podadora, y no hacia abajo, donde está el suelo. Si está asentada correctamente, los lados rectos deben estar alineados y la cuchilla permanecerá plana contra los montantes de cuchilla.
- Vuelva a colocar the la arandela de resorte, luego enrosque la tuerca de la cuchilla en el eje y apriétela con los dedos.
- Apriete la tuerca de la cuchilla derecha usando una llave dinamométrica (no suministrada) para asegurar que el perno esté apretado correctamente. La fuerza de torsión recomendada para la tuerca de la cuchilla es de 600-650 lb-pulg.

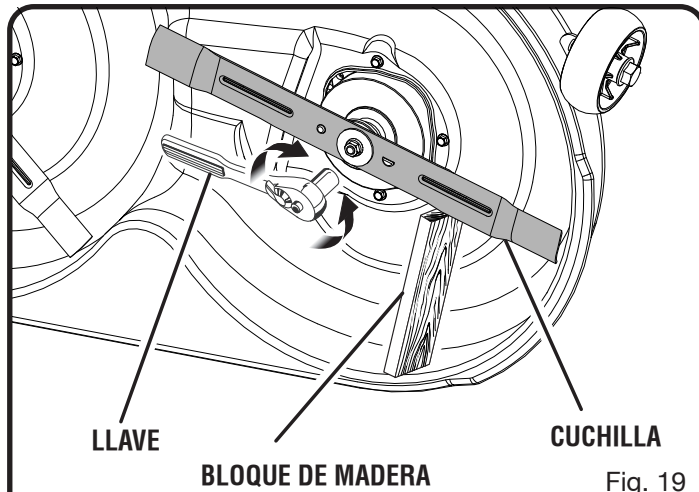


Fig. 19

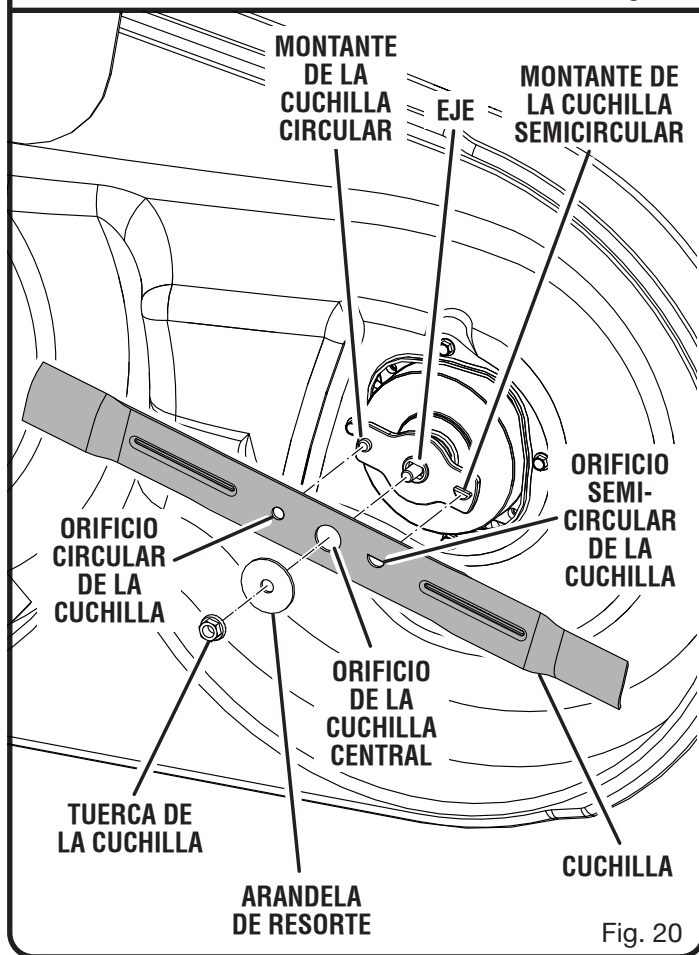


Fig. 20

### **⚠ ADVERTENCIA:**

Asegúrese de que la cuchilla esté correctamente asentada y que la tuerca de la cuchilla esté ajustada según las especificaciones de par de torsión anteriores. Si no conecta la cuchilla correctamente, puede aflojarse y generar posibles lesiones personales graves.

- Repita el proceso con la segunda cuchilla, si es necesario.

# MANTENIMIENTO

## MANTENIMIENTO DE LOS NEUMÁTICOS

Este podadora de pasto está equipado con neumáticos sin cámara del tamaño y del tipo que se indican a continuación:

	Delanteros	Traseros
Tamaño	13x5x6	18x8.5x8

### Presión de aire de los neumáticos

Antes de se uso, verifique la presión de aire de todos los neumáticos. Una presión de aire incorrecta afecta la maniobrabilidad, la respuesta de la dirección, la tracción, la vida útil del neumático, corte de nivel, y la comodidad del operador. Asegúrese de que todos los neumáticos estén inflados, según las presión que se indican a continuación.

**NOTA: La presión de los neumáticos solo debe medirse o ajustarse cuando los neumáticos estén fríos.**

Presión recomendada	Delanteros	Traseros
	19 psi (131 kpa)	18 psi (124,1 kpa)

### **⚠ ADVERTENCIA:**

Verifique detenidamente la presión de los neumáticos mientras los infla. Demasiado aire en un neumático podría causar que este explote, lo que causaría lesiones personales graves.

### **⚠ ADVERTENCIA:**

Mantener la presión de aire correcta en los neumáticos es muy importante. Demasiado poca presión podría hacer que el neumático gire y se salga de la llanta de la rueda. Demasiada presión podría causar que el neumático explote. No mantener la presión de aire correcta en los neumáticos podría causar problemas en la operación y en la estabilidad del podadora de pasto, lo que causaría la muerte o lesiones personales graves.

## REPARACIÓN DE NEUMÁTICOS

En caso de que un neumático tenga una fuga o esté desinflado debido a un pinchazo, puede repararlo usando un parche tipo tapón. Si el daño se debe a un corte, o si el pinchazo no puede ser reparado con un tapón, se debe reemplazar el neumático.

## CAMBIO DE NEUMÁTICOS

Cuando los neumáticos están desgastados, la tracción del podadora disminuye, lo que aumenta las posibilidades de tener un accidente. Los neumáticos deben cambiarse cuando el espesor de la banda de rodadura es de 4 mm (0,16 pulg.) o menos, o en cualquier momento que se dañe el neumático. Use siempre neumáticos de repuesto idénticos. Usar neumáticos incorrectos en la podadora podría causar una pérdida de control, lo que podría causar lesiones personales graves.

Haga que un centro de servicio autorizado o una estación de reparación de neumáticos calificada reemplacen los neumáticos.

## AJUSTE DE LOS FRENOS

Vea la figura 21.

### **⚠ PELIGRO:**

Asegúrese de que los frenos funcionen correctamente en todo momento y antes de cada uso. El funcionamiento inapropiado de los frenos podría hacer que pierda el control en una situación de emergencia y causarle la muerte o lesiones personales graves.

Poder detener la podadora correctamente es crucial para la seguridad del podado. Si ha notado que su podadora prolonga el recorrido antes de detenerse cuando oprime el pedal de freno, los frenos pueden necesitar ajustarse.

### Para probarlo:

- Estacione la podadora en una superficie nivelada y coloque el freno de estacionamiento.
- Coloque las palancas de impulso en posición abierta.
- Párese detrás de la podadora e intente empujarla hacia adelante. Si los neumáticos traseros giran, los frenos necesitan ajustarse.

### Para ajustarlos:

- Busque las tuercas de ajuste de los frenos junto al marco de la parte frontal de cada una de las ruedas traseras.
- Gire cada tuerca a 1/4 de vuelta en sentido horario; luego, intente empujar hacia adelante la podadora nuevamente.
- Continúe girando cada tuerca a 1/4 de vuelta y probando hasta que la podadora ya no se mueva cuando la empuje.

Después del ajuste final, pruebe los frenos conduciendo la podadora a velocidad normal en suelo llano para asegurarse de que la podadora se detiene rápidamente cuando se oprime el pedal de freno.

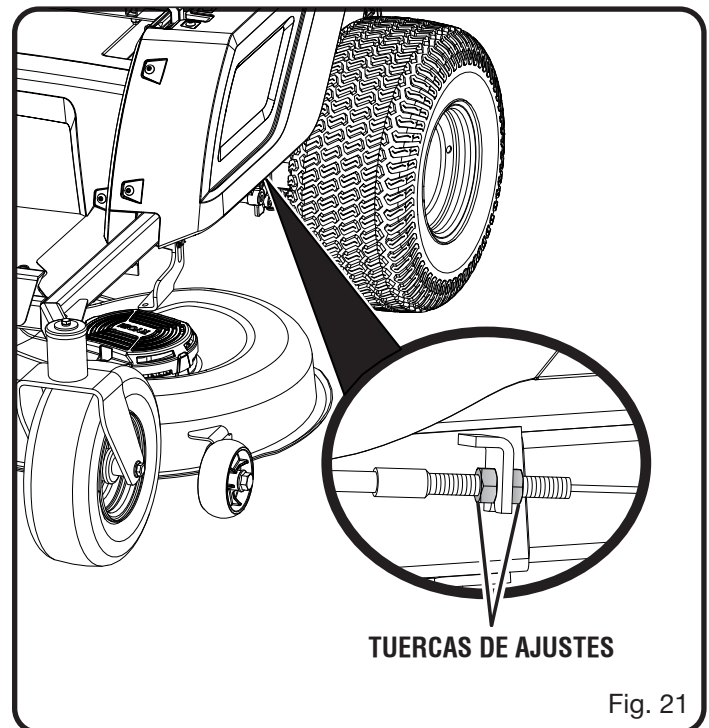


Fig. 21

# MANTENIMIENTO

## NIVELACIÓN DE LA BASE DE CORTE

Vea las figuras 22 y 23.

Si su pasto parece cortado de forma irregular después de usar la podadora, puede que la base de corte necesite ajustarse. Antes de decidir que es necesario realizar una nivelación de la base de corte, asegúrese de que los neumáticos estén inflados correctamente según la presión recomendada al podar. Los neumáticos con más o menos presión de la recomendada puede afectar el corte, y la presión correcto de los neumáticos puede ser lo único necesario para resolver problemas de corte no uniforme.

**NOTA:** Controle siempre la alineación de lado a lado y ajuste, desde el frente hacia atrás, según sea necesario antes de medir.

### Antes de comenzar:

- Asegúrese de que las palancas de impulso estén en posición abierta y que la perilla de activación de las cuchillas se encuentre hacia abajo.
- Detenga el motor, deje que las hojas se detengan por completo, extraiga la llave de arranque y coloque el freno de estacionamiento.
- Levante la altura de la base de corte hacia la posición más alta.

### Para realizar el ajuste de lado a lado:

- Posicione las cuchillas de manera tal que los extremos apunten hacia los laterales de la podadora.
- En el filo externo de cada cuchilla, mida la distancia desde el filo inferior de cada lado de la cuchilla hacia el suelo. Si la distancia entre dos lados es mayor a 3,2 mm (1/8 pulg.), es necesario realizar un ajuste de lado a lado.
- Ajuste las contratuercas tal como se muestra, en el lado que desea ajustar.
- Gire las tuercas de ajuste en sentido horario para levantar o en sentido antihorario para descender el lateral de la base de corte. Cada giro completo de la tuerca de ajuste cambiará la altura de la base a aproximadamente 4,8 mm (3/16 pulg.).

**NOTA:** Si levanta el lateral, primero será necesario girar la tuerca de ajuste superior. Si lo baja, gire primero la tuerca inferior.

- Vuelva a medir. Continúe ajustando y midiendo hasta que la diferencia entre la distancia de cada lado sea de 3,2 mm (1/8 pulg.) o menos.
- Proceda ajustando desde el frente hacia atrás o vuelta a ajustar las contratuercas para asegurar.

### Para realizar el ajuste desde el frente hacia atrás:

**NOTA:** Nivele siempre la base de lado a lado antes de realizar un ajuste desde el frente hacia atrás.

- Posicione la cuchilla más cercana al vertedor de descarga para que los extremos apunten hacia el frente y hacia atrás de la podadora.

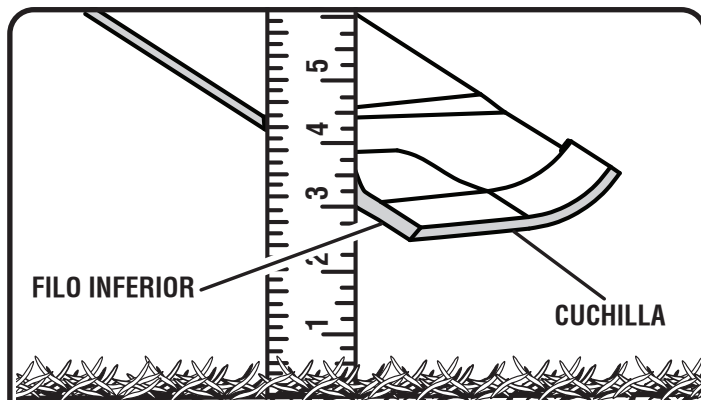


Fig. 22

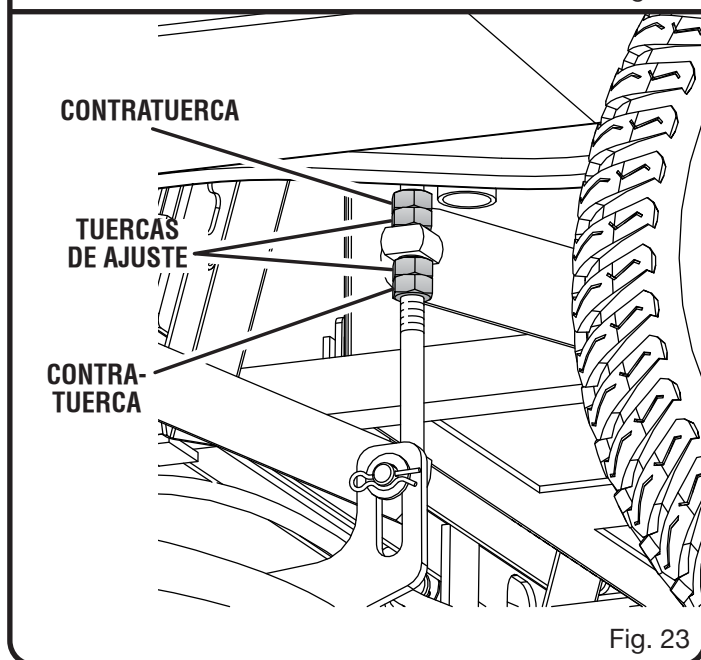


Fig. 23

- Mida la distancia entre la punta de la cuchilla hacia el suelo. Para obtener mejores resultados, la puntal frontal de la cuchilla debe estar entre 3,2 mm (1/8 pulg.) a 9,5 mm (3/8 pulg.) más baja que la punta delantera.
  - Si es necesario realizar un ajuste desde el frente hacia atrás, gire las tuercas de ajuste en sentido horario para levantar o en sentido antihorario para descender la parte trasera de la base de corte. Cada giro completo de la tuerca de ajuste cambiará la altura de la base a aproximadamente 3,2 mm (1/8 pulg.).
- NOTA:** Asegúrese de girar las tuercas de ajuste en ambos lados de la misma manera para prevenir que la medición sea irregular nuevamente.
- Mida nuevamente para verificar que la punta frontal ahora sea entre 3,2 mm (1/8 pulg.) a 9,5 mm (3/8 pulg.) más baja que la punta trasera. De no ser así, continúe ajustando y mida hasta que las medidas sean las correctas.
  - Sin mover las tuercas de ajuste, vuelva a ajustar las contratuercas para asegurar las tuercas de ajuste en su lugar.

# MANTENIMIENTO

## REEMPLAZO DE LAS BATERÍAS

Vea las figuras 24 a 31.

**NOTA:** Utilice únicamente baterías de plomo y ácido RYOBI de 75 Ah (LPC12-75) o de 100 Ah (LPC12-100) para podadora de pasto eléctrica tipo tractor.

Esta podadora funciona con cuatro baterías de 12 voltios conectadas en serie. Si reemplaza una o más baterías, siempre reemplácelas utilizando una batería del mismo tipo con igual voltaje y capacidad.

### **⚠ ADVERTENCIA:**

Use siempre protección ocular que incluya protección lateral con la marca de cumplimiento de la norma ANSI Z87.1 y guantes de goma cuando reemplace las baterías. De lo contrario, podrían entrarle objetos en los ojos o podría sufrir lesiones personales graves.

No abra ni desarme las baterías. Los electrolitos liberados son corrosivos y pueden causar daños en los ojos o la piel. Puede ser tóxico si se ingiere.

No deseche las baterías en el fuego. Las baterías pueden explotar. Controle los códigos locales para conocer posibles instrucciones especiales para desecharlas.

No exponga la batería a la lluvia ni la mantenga en lugares húmedos. El agua y otros líquidos podrían entrar en contacto con la batería y dañar las conexiones y los componentes electrónicos, lo que podría causar un corto circuito, mayor riesgo de incendio y lesiones personales graves.

Cuando no esté usando las baterías, manténgalas alejadas de todo objeto metálico como clips, monedas, llaves, clavos, tornillos u otros objetos metálicos pequeños que puedan establecer conexión entre ambas terminales. Establecer una conexión directa entre las dos terminales puede causar quemaduras o incendios.

Tenga cuidado cuando maneje baterías a fin de no realizar un cortocircuito en la batería con materiales conductores como anillos, brazaletes y llaves. La batería o el conductor pueden recalentarse y provocar quemaduras graves.

### **AVISO:**

Nunca mezcle baterías de diferentes fabricantes y tamaños en la serie. Al hacerlo, con el tiempo dañará las baterías y también puede dañar la podadora.

- Estacione la podadora en una superficie nivelada, detenga el motor, extraiga la llave de arranque y coloque el freno de estacionamiento.
- Coloque las palancas de impulso en posición abierta.
- Ajuste el asiento bien hacia atrás, luego levante el asiento de la podadora.
- Presione las lengüetas en la cubierta de los cables. Levante la cubierta para obtener acceso al compartimiento debajo.
- Desconecte la clavija de conexión rápida de la batería. Esta clavija conecta las baterías en la podadora.
- Extraiga y aparte el perno de cabeza hexagonal que asegura la bandeja de la batería en su lugar.

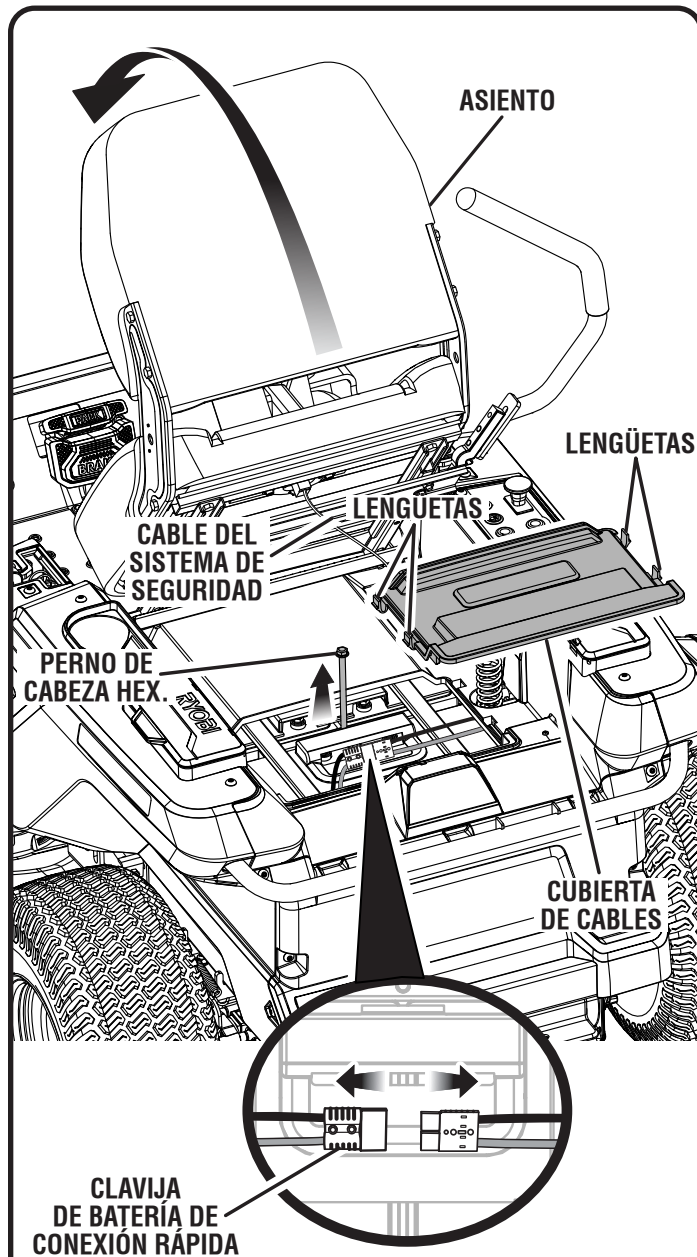


Fig. 24

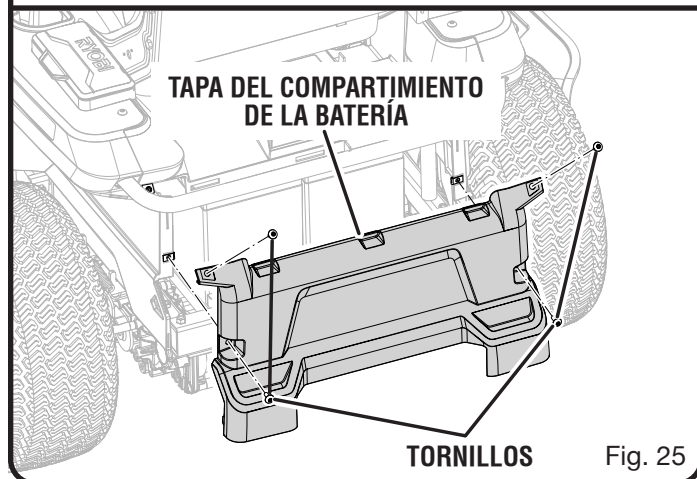
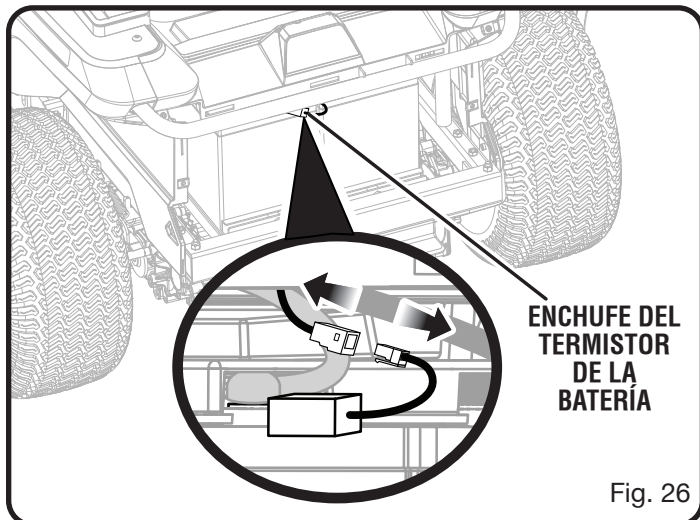


Fig. 25

# MANTENIMIENTO



- Extraiga los cuatro tornillos de cabeza hex. que aseguran la cubierta del compartimiento de la batería en su lugar. Retire la cubierta y apártela.
- Desconecte el enchufe del termistor de la batería. Este enchufe conecta las baterías al puerto de carga.
- Retire y deje a un lado la barra transversal trasera quitando los pernos de cabeza hexagonal y las tuercas, como se ve en la imagen.
- Extraiga los espaciadores, las arandelas planas, las arandelas de seguridad y los pernos de cabeza hex. que aseguran los lengüetas de la bandeja de la batería.
- Extienda por completo la bandeja de la batería, reposando el extremo fuera de la podadora en una superficie estable que soporte un peso de 136 kg (300 lb).

## ⚠ ADVERTENCIA:

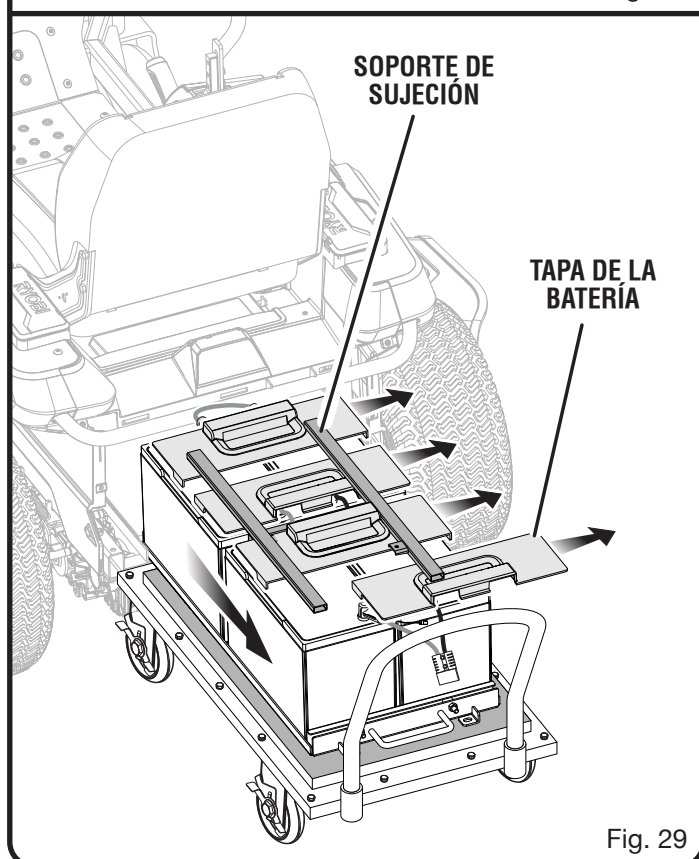
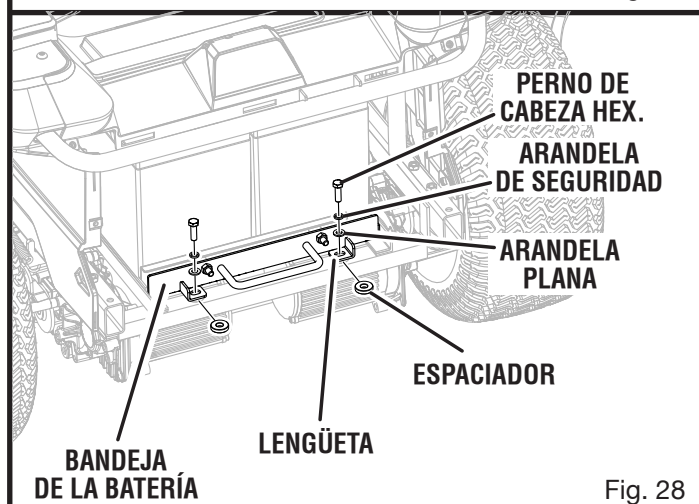
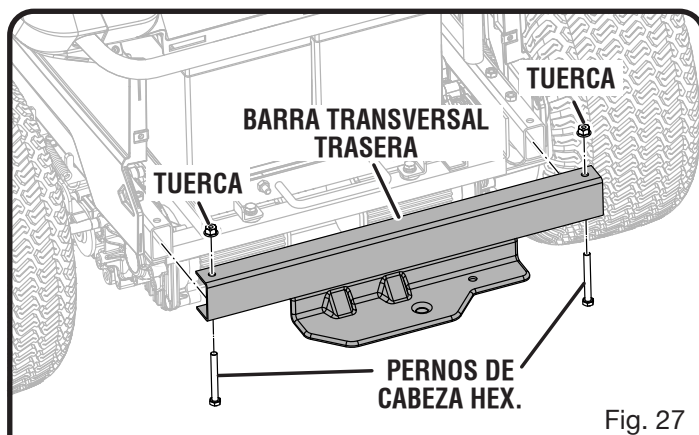
La bandeja de la batería es muy pesada y puede requerir dos personas para que la extiendan. Recomendamos el uso de un carro hidráulico tipo tabla (o dispositivo similar) para extender la bandeja. Si no se extiende y se sostiene correctamente la bandeja de la batería, se podrían provocar lesiones físicas graves así como también daños en la podadora.

## ⚠ ADVERTENCIA:

En condiciones extremas de uso o temperatura, las baterías pueden emanar líquido. Si el líquido entra en contacto con la piel, lávese inmediatamente con agua y jabón. Si el líquido entre en sus ojos, láveselos con agua limpia durante al menos 10 minutos y después busque atención médica de inmediato. Seguir esta regla reduce el riesgo de lesiones graves.

- Extraiga y aparte las cubiertas de la batería de la batería o las baterías que se van a reemplazar.

**NOTA:** Es posible que deba levantar levemente el soporte de seguridad para poder extraer la(s) tapa(s).



# MANTENIMIENTO

- Desconecte los dos cables de la parte central de la batería que pasan sobre el soporte de seguridad. Desconecte el cable negativo (negro) primero, después el cable positivo (rojo), teniendo cuidado de no realizar un cortocircuito entre las terminales.
- Levante el soporte de sujeción de la batería y apártelo.
- Desconecte los cables de la batería de la parte delantera o trasera que conectan la batería o las baterías que desea reemplazar. Desconecte el cable negativo (negro) primero, después el cable positivo (rojo), teniendo cuidado de no realizar un cortocircuito entre las terminales.

**NOTA:** Si desea desconectar los cables de la parte trasera de la podadora, tenga en cuenta la posición del terminal del termistor de la batería en el polo positivo y asegúrese de volver a colocar el terminal en la misma ubicación.

- Reemplace la batería o las baterías sea necesario.
  - Vuelva a instalar el soporte de sujeción.
  - Vuelva a colocar los cables de la batería. Conecte el cable positivo (rojo) primero, después el cable negativo (negro), teniendo cuidado de no realizar un cortocircuito entre las terminales.
  - Vuelva a instalar las cubiertas de la batería.
  - Presione para volver a colocar la bandeja de la batería en la podadora y conecte nuevamente los enchufes del termistor y de conexión rápida de la batería.
  - Vuelva a colocar los espaciadores, las arandelas planas, las arandelas de seguridad y los pernos de cabeza hexagonal que aseguran las lengüetas de la bandeja de la batería. Ajuste firmemente.
  - Vuelva a colocar la barra transversal trasera y, luego, coloque nuevamente los pernos de cabeza hexagonal y las tuercas. Ajuste firmemente.
  - Vuelva a instalar el perno de cabeza hexagonal por el soporte de seguridad para asegurar la bandeja de la batería en su lugar. Ajuste firmemente.
  - Reemplace la cubierta del compartimento de la batería y vuelva a instalar los tornillos para asegurar.
- NOTA:** Asegúrese de que las lengüetas en la cubierta del compartimento de la batería estén asentadas en las ranuras de los paneles superior e inferior de la podadora antes de ajustar los tornillos.
- Vuelva a instalar la cubierta de los cables y presione hasta que se asegure firmemente en su lugar; luego, baje el asiento de la podadora.
- NOTA:** Asegúrese siempre de que la conexión del cable del sistema de seguridad esté completamente asentado cuando reemplace la cubierta de los cables.

**NOTA:** Respete siempre las advertencias de seguridad provistas con la batería. Descarte la antigua batería según las regulaciones locales y estatales.

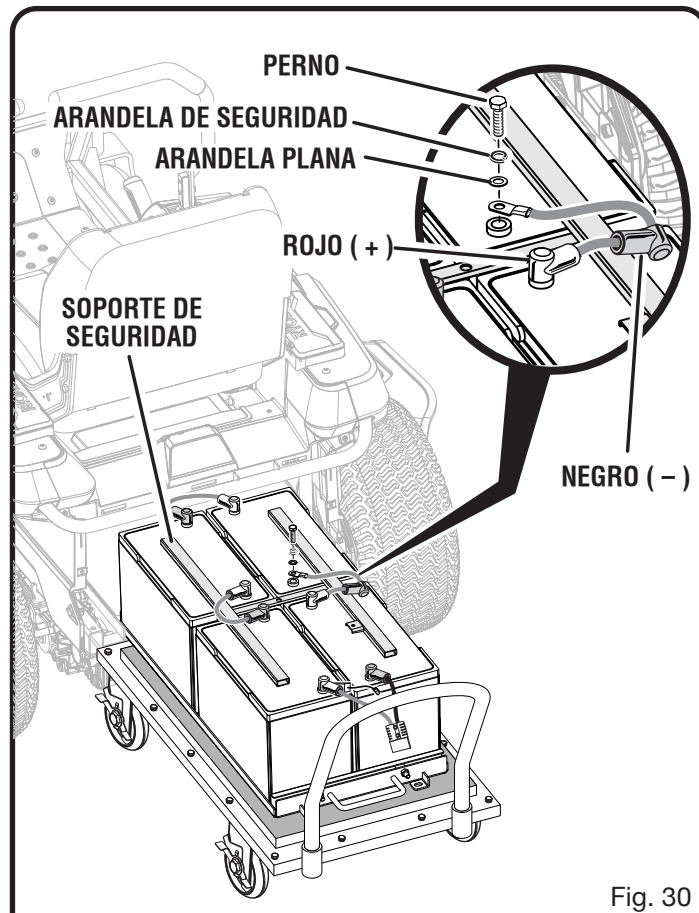


Fig. 30

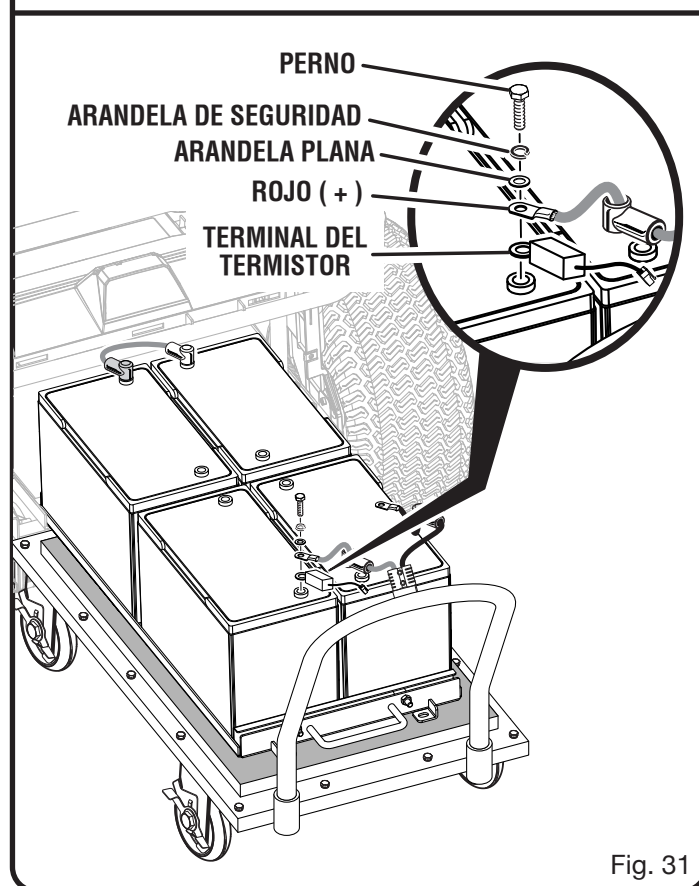


Fig. 31

# MANTENIMIENTO

## CÓMO AJUSTAR LAS PALANCAS DE IMPULSO

Vea la figura 33.

Para maximizar la comodidad y el control del operador, puede ajustar la altura y el ángulo de las palancas de impulso de la podadora.

**Para ajustar la altura de las palancas de impulso, siga estos pasos:**

- Retire los pernos de cabeza hexagonal del soporte de montaje de la palanca de impulso.
- Mueva el palanca de impulso hacia arriba o hacia abajo según sea necesario.
- Vuelva a colocar los pernos y ajústelos con firmeza.

**Para cambiar el ángulo de las palancas de impulso, siga estos pasos:**

- Afloje los pernos de cuello grueso del soporte de montaje de la palanca de impulso, sin extraerlos.
- Mueva la palanca hacia delante o hacia atrás para lograr el ángulo deseado.
- Vuelva a ajustar los pernos para asegurarlos.

**NOTA:** Mantenga siempre ambas palancas de impulso a la misma altura y ángulo. La posición neutra de las palancas de impulso debe ser siempre pareja.

## ALMACENAMIENTO DE LA PODADORA

Deben tenerse en cuenta los siguientes pasos antes de guardar la podadora durante la temporada.

- Remueva la formación de pasto y hojas de la cubierta del motor. Limpie la podadora con un trapo seco. No la rocíe con una manguera de jardín, el agua o líquidos para limpiarla.
- Enchufe la podadora para cargarla durante el tiempo completo de almacenamiento.

**NOTA:** Si no es posible dejar el cargador de la podadora conectado durante el almacenamiento, cargue las baterías por completo al menos una vez por mes.

- Guarde la podadora en un lugar limpio y seco que sea inaccesible para los niños. No guarde la podadora cerca de artefactos que funcionen con llamas como calentadores de agua a gas, secadoras de ropa u hornos.

**NOTA:** Ponga el freno de mano y no deje la llave en la podadora durante el almacenamiento. Coloque la llave en una ubicación inaccesible para los niños.

- Si la podadora se guarda en exteriores, asegúrese de que se encuentre cubierta por completo para protegerla de los elementos.
- Evite que la unidad entre en contacto con agentes corrosivos como las sustancias químicas para el jardín y las sales para derretir el hielo.

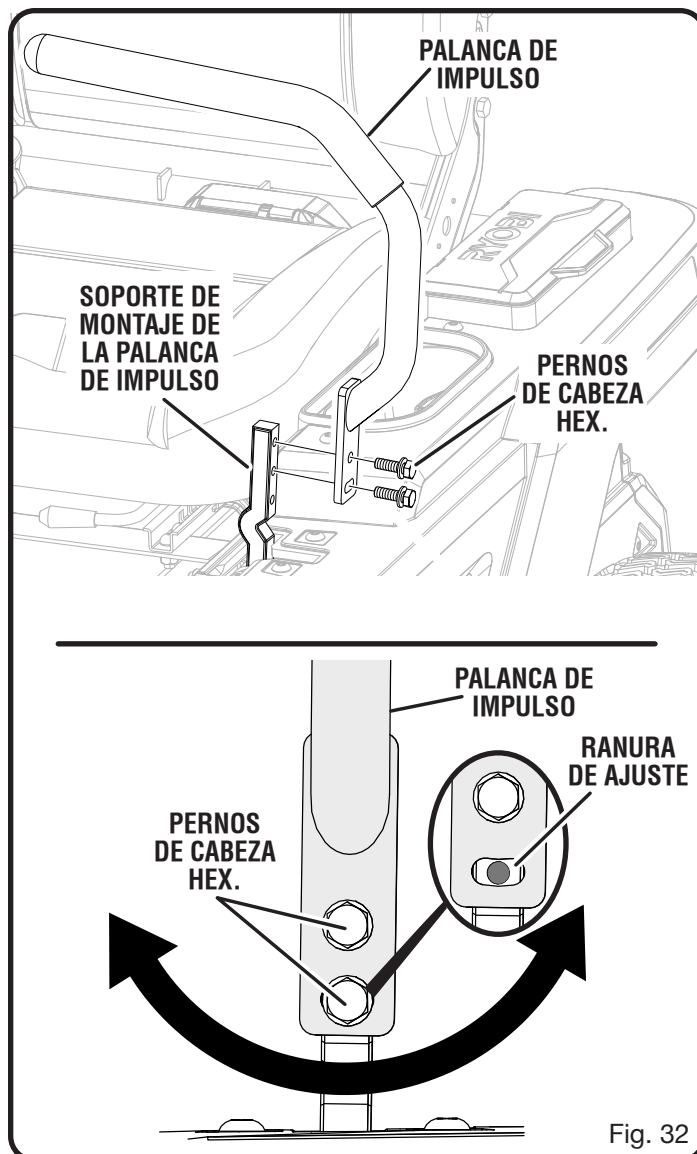


Fig. 32

## PREPARACIÓN PARA EL USO DESPUÉS DEL ALMACENAMIENTO

Se deben tener en cuenta los siguientes pasos antes de usar la podadora después de su almacenamiento:

- Revise la tabla de mantenimiento.
- Cargue completamente las baterías.
- Controle la presión de los neumáticos e ínflelos según sea necesario.
- Conduzca brevemente la podadora y controle que todos los sistemas y los componentes estén funcionando correctamente.

# MANTENIMIENTO

## REMOCIÓN Y PREPARACIÓN DE BATERÍAS PARA EL RECICLADO



Para preservar los recursos naturales, le suplicamos reciclar o desechar debidamente las baterías.

Este producto contiene baterías de plomo-ácido. Es posible que algunas leyes municipales, estatales o federales prohíban desechar las baterías en la basura normal.

Consulte a las autoridades reguladoras de desechos para obtener información en relación con las alternativas de reciclado y desecho disponibles.



### ADVERTENCIA:

Al retirar de baterías, cubra las terminales de la misma con cinta adhesiva reforzada. No intente destruir o desarmar de baterías, ni de desmontar ninguno de sus componentes. Las baterías de plomo-ácido deben reciclarse o desecharse debidamente. También, nunca toque ambas terminales con objetos metálicos y partes del cuerpo, ya que puede producirse un corto circuito. Manténgase fuera del alcance de los niños. La inobservancia de estas advertencias puede causar incendios y lesiones corporales serias.

## PROGRAMA DE MANTENIMIENTO

	Inspeccionar cada vez antes usar la herramienta	Cada 25 horas	Cada 50 horas o anualmente	Cada 100 horas	Antes de guardarlo
Controle el funcionamiento de los frenos	X				
Controle la presión de los neumáticos	X				
Controle el sistema de seguridad	X				
Controle que no haya tornillos flojos	X				X
Limpie la suciedad de la podadora	X		X		X
Controle/Reemplace las cuchillas de la podadora		X	X		
Limpie las terminales de la batería			X		

**NOTA:** Se deben realizar tareas de mantenimiento de manera más frecuente cuando se utilice la podadora en áreas con polvo.

Cuando la podadora haya excedido las cifras máximas especificadas en la tabla, se deben realizar los ciclos de mantenimiento según los intervalos de tiempo u horas establecidos aquí.

Si no está seguro acerca de cómo realizar las tareas de mantenimiento enumeradas anteriormente, lleve la podadora a un centro de servicio autorizado para obtener asistencia.



# ACCESORIOS

Para pedir estos accesorios, visite nuestra página web en [www.ryobitools.com](http://www.ryobitools.com) o llame al 1-800-860-4050.

- Juego para embolsar (incluye conjunto de embolsadora y cuchillas)..... ACRM005
- Combo de cuchillas (para trituración y descarga lateral)..... ACRM006
- Cuchillas de la embolsadora ..... ACRM007



## ADVERTENCIA:

Arriba se señalan los aditamentos y accesorios disponibles para usarse con esta herramienta. No utilice ningún aditamento o accesorio no recomendado por el fabricante de esta herramienta. El empleo de aditamentos o accesorios no recomendados podría causar lesiones serias.



## APROVECHE AL MÁXIMO SU COMPRA!

Diríjase a <http://register.ryobitools.com>  
y registre en línea su nueva herramienta.

Este producto ha sido probado enteramente antes de embarcarse  
para asegurar la completa satisfacción del consumidor.

¡Si tiene preguntas sobre el funcionamiento o el mantenimiento  
del producto, llame al teléfono de atención al consumidor de RYOBI!

**Excluidas la batería, este producto tiene una garantía limitada de tres años para fines personales, familiares o domésticos (90 días para se emplea para cualquier otro propósito, como el uso trabajo o comercial). La batería tiene una garantía limitada de un año para fines personales, familiares o domésticos (90 días para se emplea para cualquier otro propósito, como el uso trabajo o comercial). Para obtener detalles sobre la garantía, diríjase a [www.ryobitools.com](http://www.ryobitools.com) o llame sin cargo al 1-800-860-4050.**

# CORRECCIÓN DE PROBLEMAS

SI CON ESTAS SOLUCIONES NO SE RESUELVE EL PROBLEMA, COMUNÍQUESE CON EL CONCESIONARIO DE SERVICIO AUTORIZADO DE SU PREFERENCIA.

PROBLEMA	CAUSA POSIBLE	SOLUCIÓN
La podadora no enciende.	<p>La carga de la batería está baja.</p> <p>El cargador está conectado a la podadora.</p> <p>La llave de arranque no está instalada o está en la posición de APAGADO.</p> <p>Conexiones de cables de batería deficientes.</p>	<p>Cargue la batería.</p> <p>Desconecte el cargador de la podadora.</p> <p>Inserte la llave de arranque y gírela hacia la posición de ENCENDIDO.</p> <p>Controle/limpie todas las conexiones de la batería.</p>
La podadora no se mueve.	<p>La llave de arranque no está instalada o está en la posición de APAGADO.</p> <p>Las palancas de impulso están en posición neutra o abierta.</p> <p>El freno está oprimido y/o está colocado el freno de estacionamiento.</p> <p>El cargador está conectado a la podadora.</p> <p>El operario no está sentado por completo.</p>	<p>Inserte la llave de arranque y gírela hacia la posición de ENCENDIDO.</p> <p>Mueva las palancas de impulso en la dirección deseada (hacia adelante o en reversa).</p> <p>Suelte el pedal de freno y/o el freno de estacionamiento, luego, abra y cierre las palancas de impulso para realizar un restablecimiento.</p> <p>Desconecte el cargador de la podadora.</p> <p>Siéntese completamente en el asiento, vuelva a colocar las palancas de impulso en la posición neutra y, luego, intente nuevamente</p>
La podadora corta la hierba en forma despareja.	<p>Presión de neumáticos uniforme.</p> <p>La base de la podadora no está nivelada.</p> <p>Cuchilla desgastada, torcida, floja o desafilada.</p> <p>Formación de suciedad debajo de la base inferior de la podadora.</p> <p>La velocidad de la podadora es demasiado rápida.</p>	<p>Controle la presión de los cuatro neumáticos.</p> <p>Realice un ajuste de nivel de la base de corte.</p> <p>Reemplace la cuchilla.</p> <p>Limpie la superficie inferior del alojamiento de la base inferior de la podadora.</p> <p>Pode a una velocidad más lenta.</p>
La podadora no tritura el pasto correctamente.	<p>Hay recortes de hierba mojada pegados en la parte inferior del piso.</p> <p>El pasto está demasiado alto.</p> <p>Cuchilla desgastada, torcida, floja o desafilada.</p> <p>La velocidad de la podadora es demasiado rápida.</p>	<p>Espere hasta que la hierba se seque antes de podar.</p> <p>Pode una vez a una altura mayor; luego, pode otra vez a la altura deseada.</p> <p>Reemplace la cuchilla.</p> <p>Pode a una velocidad más lenta.</p>
La podadora vibra a mayor velocidad.	<p>La cuchilla está desequilibrada, suelto, o gastada excesivamente o en forma irregular.</p> <p>El eje del motor está doblado.</p>	<p>Reemplace la cuchilla.</p> <p>Apague el motor y desconecte la llave del arranque. Inspeccione la unidad para ver si están dañadas. Lleve la unidad a un centro de servicio autorizado para que la reparen antes de volver a encenderla.</p>

# CORRECCIÓN DE PROBLEMAS

PROBLEMA	CAUSA POSIBLE	SOLUCIÓN
Descarga de pasto defectuosa.	<p>El vertedor de descarga lateral o la abertura está enchufada.</p> <p>El pasto está húmedo.</p> <p>La velocidad de la podadora es demasiado rápida.</p> <p>El pasto está demasiado alto.</p>	<p>Limpie el vertedor de descarga lateral o la apertura.</p> <p>Permita que se seque el pasto antes de podar.</p> <p>Podar a una velocidad más lenta.</p> <p>Podar una vez a una altura mayor; luego, podar otra vez a la altura deseada.</p>
Motor se detiene mientras corta el pasto.	<p>La altura de corte es muy baja.</p> <p>La carga de la batería está baja.</p> <p>El operario no está sentado por completo.</p>	<p>Levante la altura de corte.</p> <p>Cargue la batería.</p> <p>Siéntese completamente en el asiento, lleve nuevamente las palancas de impulso a la posición neutra y empuje la perilla de activación de las cuchillas hacia abajo. Luego, vuelva a intentarlo.</p>
Las cuchillas no giran.	<p>La carga de la batería está baja.</p> <p>La perilla de activación de las cuchillas está baja.</p> <p>El operario no está sentado por completo.</p> <p>Formación de suciedad debajo de la base inferior de la podadora.</p>	<p>Cargue la batería.</p> <p>Levante la perilla de activación de las cuchillas.</p> <p>Siéntese completamente en el asiento, lleve nuevamente las palancas de impulso a la posición neutra y empuje la perilla de activación de las cuchillas hacia abajo. Luego, vuelva a intentarlo.</p> <p>Limpie la superficie inferior del alojamiento de la base inferior de la podadora.</p>
Las cuchillas no giran mientras está podando en reversa.	<p>La perilla de activación de las cuchillas está baja.</p>	<p>Levante la perilla de activación de las cuchillas.</p>
La podadora no alcanza la velocidad completa.	<p>La carga de la batería está baja.</p> <p>La función de impulso de velocidad baja está activada.</p>	<p>Cargue la batería.</p> <p>Desactive el impulso a velocidad baja.</p>
Las cuchillas continúan girando después de que el operario deja el asiento sin colocar el freno de estacionamiento.	<p>El sistema de seguridad no está funcionando correctamente.</p>	<p>Asegúrese de que la clavija del asiento del sistema de seguridad esté conectada por completo. Si las cuchillas no se detienen, lleve la podadora a un centro de servicio autorizado para que sea reparada.</p>
Los faros no funcionan.	<p>Los faros están apagados.</p> <p>Los faros están dañados.</p>	<p>Presione el botón de faros para encenderlos.</p> <p>Haga reemplazar las luces delanteras en un centro de servicio autorizado.</p>
La batería no carga.	<p>Celdas de la batería defectuosas.</p> <p>Conexiones de cables deficientes.</p>	<p>Reemplace la batería.</p> <p>Controle/limpie todas las conexiones de la batería.</p>

Si el problema persiste después de probar las soluciones mencionadas arriba, contacto con el servicio al cliente o con un centro de servicio calificado para solicitar asistencia.

# CORRECCIÓN DE PROBLEMAS

## CÓDIGOS DE ERROR DEL CARGADOR

CÓDIGO	SIGNIFICADO	SOLUCIÓN
Una luz parpadeante roja	Falla en el cargador: puede indicar poco contacto en el conector del cargador o que la temperatura de la batería es demasiado alta [mayor a 50 °C (122 °F)].	Controle la conexión del cargador o la podadora, y remueva cualquier tipo de suciedad. Permita que se enfríen las baterías. Luego, intente cargar nuevamente.
Dos luces parpadeantes rojas	Falla en el voltaje de la batería: puede indicar que la batería o baterías instaladas tienen menos de 36 V o más de 67,2 V, o que la batería o baterías están demasiado descargadas o sobrecargadas como para cargarlas.	Las baterías deben ser cargadas por otros medios para llevarlas hasta 36 V o la podadora debe funcionar para descargar las baterías a 67,2 V.
Tres luces parpadeantes rojas	Límite de tiempo de carga de la batería: Tiempo de carga excedido: puede indicar un problema con las baterías de la podadora o que la corriente de salida del cargador fue gravemente reducida debido a altas temperaturas del ambiente.	Desconecte el cargador. Permita que las baterías se enfríen; luego, intente cargar nuevamente.
Cuatro luces parpadeantes rojas	Falla de la batería: Tiempo de carga excedido: indica un problema con el voltaje de la batería que no alcanza el nivel nominal requerido en el lapso de tiempo máximo permitido.	Desconecte el cargador. Controle la configuración de la serie de baterías para asegurarse de que estén conectadas correctamente. Permita que las baterías se enfríen; luego, intente cargar nuevamente.
Cinco luces parpadeantes rojas	Retraso de temperatura: el cargador debe desactivar su salida debido a una excesiva temperatura interna.	Asegúrese de que las aletas de ventilación del cargador estén libres de obstrucciones y que el cargador no esté expuesto a la luz solar directa. Si el cargador está caliente, permita que se enfríe antes de intentar cargar la podadora nuevamente.
Seis luces parpadeantes rojas	Falla del cargador: Falla interna detectada	Desenchufe el cargador; luego, vuelva a enchufarlo e intente cargar nuevamente.

En condiciones de fallas, si la solución sugerida no resuelve la falla y no permite cargar las baterías, lleve el cargador a un centro de servicio autorizado para que lo reparen o lo sustituyan.

## SLOPE GUIDE

### **WARNING:**

Slopes are a major factor related to tip-over and roll-over accidents that can result in severe injury or death. Operation on all slopes requires extra caution. If you cannot back up the slope or if you feel uneasy on a slope, do not mow it. For your safety, do not attempt to mow slopes greater than 15 degrees. Do not operate in reverse down a slope, unless the mower stops while going uphill. In that situation, stop the blades, look behind you, and back up slowly. Make a copy or cut out the slope guide image on the back of this page and use to determine if your slope is too steep for safe operation.

- Fold page on dotted line.
  - Locate a vertical object on or behind your slope (i.e., pole, building, fence, tree, etc.).
  - Align either edge of slope guide with vertical object.
  - Adjust gauge until bottom left corner touches the slope.
  - Do not attempt to mow slopes greater than 15\*.
- 

## GUIDE DE PENTE

### **AVERTISSEMENT :**

Les pentes représentent un facteur majeur des accidents causés par la perte de contrôle ou le renversement et sont cause de blessures graves ou mortelles. Toute opération sur des pentes exige une extrême prudence. S'il est impossible d'aborder une pente ou si vous ne vous y sentez pas à l'aise, ne la tondez pas. À des fins de sécurité, ne pas tenter de tondre des pentes ayant une inclinaison supérieure à 15 degrés. Ne pas utiliser en marche arrière dans une pente, à moins que la tondeuse s'arrête en montant. Dans cette situation, arrêter les lames, regarder derrière et reculer lentement. Copier ou découper l'illustration du guide de pente au verso de la page et l'utiliser pour déterminer si la pente est trop raide pour être tondu en toute sécurité.

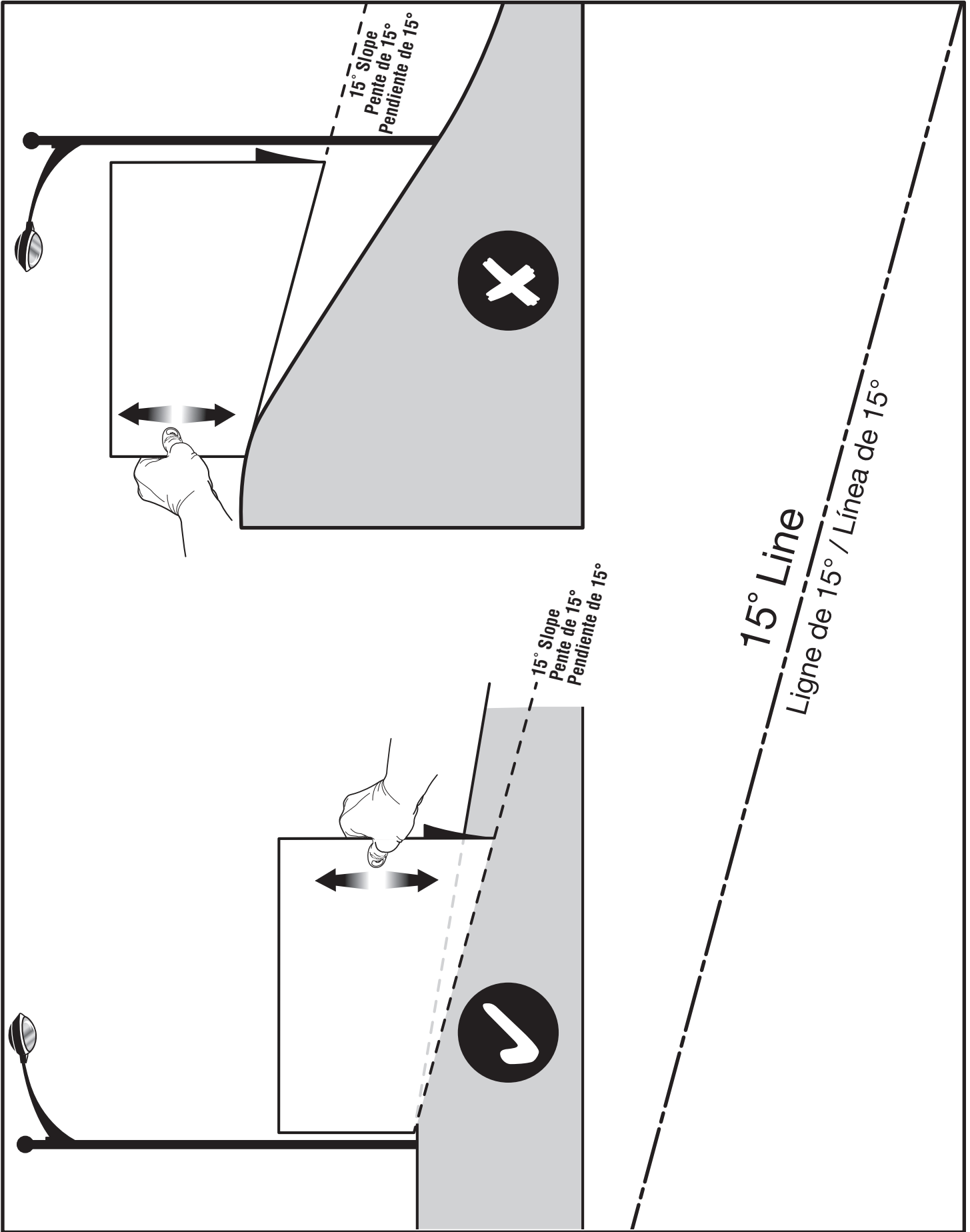
- Plier la page à la ligne pointillée.
  - Repérer un objet vertical sur ou derrière la pente à tondre (ex. : poteau, édifice, clôture, arbre, etc.).
  - Aligner l'un des côtés du guide de pente avec l'objet vertical.
  - Aligner le gabarit jusqu'à ce que le bas du coin gauche touche la pente.
  - Ne pas tenter de tondre des pentes ayant une inclinaison supérieure à 15 degrés.
- 

## GUÍA DE PENDIENTES

### **ADVERTENCIA:**

Las pendientes son un factor importante relacionado con vuelcos y accidentes de vuelcos, lo que puede provocar heridas graves o la muerte. El funcionamiento en pendientes requiere precaución adicional. Si no puede cubrir la pendiente o si se siente incómodo, no la pade. Para su seguridad, no intente podar pendientes de más de 15 grados. No retroceda en pendientes hacia abajo, a menos que la podadora se detenga cuando suba una. En esa situación, detenga las cuchillas, mire hacia atrás y retroceda lentamente. Haga una copia o recorte la imagen guía de la pendiente, ubicada en la parte trasera de esta página, y utilícela para determinar si su pendiente es demasiado pronunciada para el funcionamiento seguro.

- Pliegue la página por la línea de puntos.
- Coloque un objeto vertical o detrás de su pendiente (es decir, un poste, una construcción, un cerco, un árbol, etc.).
- Alinee cualquier punta de la pendiente guía con el objeto vertical.
- Ajuste el calibre hasta que la esquina inferior izquierda toque la pendiente.
- No intente podar pendientes de más de 15 grados.







## OPERATOR'S MANUAL

### MANUEL D'UTILISATION / MANUAL DEL OPERADOR ELECTRIC ZERO TURN MOWER

TONDEUSE ÉLECTRIQUE À BRAQUAGE ZÉRO  
PODADORA ELÉCTRICA DE GIRO CERO

**RY48ZTR75/R48ZTR100/**

**RY48ZTR75CAN/R48ZTR100CAN**

• **PARTS AND SERVICE:** Prior to requesting service or purchasing replacement parts, please obtain your item, manufacturing, and serial numbers from the product data plate.

ITEM NO. \_\_\_\_\_

MANUFACTURING NO. \_\_\_\_\_

SERIAL NO. \_\_\_\_\_

**HOW TO OBTAIN REPLACEMENT PARTS:** Replacement parts can be purchased online at [www.ryobitools.com](http://www.ryobitools.com) or by calling 1-800-860-4050. Replacement parts can also be obtained at one of our service centers.

**HOW TO LOCATE A SERVICE CENTER:** Service centers can be located online at [www.ryobitools.com](http://www.ryobitools.com) or by calling 1-800-860-4050.

**HOW TO OBTAIN CUSTOMER OR TECHNICAL SUPPORT:** To obtain customer or technical support please contact us at 1-800-860-4050.

RYOBI is a registered trademark of Ryobi Limited and is used pursuant to a license granted by Ryobi Limited.

• **PIÈCES ET SERVICE :** Avant de faire la demande de service ou l'achat de pièces de remplacement, veuillez obtenir le numéro d'article, le numéro de fabrication et le numéro de série à partir de la plaque de données du produit.

NUMÉRO D'ARTICLE \_\_\_\_\_

NUMÉRO DE FABRICATION \_\_\_\_\_

NUMÉRO DE SÉRIE \_\_\_\_\_

**COMMENT OBTENIR LES PIÈCES DE REMPLACEMENT :** Les pièces de remplacement peuvent être achetées en ligne sur le site [www.ryobitools.com](http://www.ryobitools.com) ou par téléphone au 1-800-860-4050. Les pièces de remplacement peuvent être obtenues à un de nos centres de service.

**COMMENT TROUVER UN CENTRE DE SERVICE :** Les centres de service peuvent être localisés en ligne au [www.ryobitools.com](http://www.ryobitools.com) ou en téléphonant au 1-800-860-4050.

**COMMENT OBTENIR DE L'AIDE EN CONTACTANT LE SERVICE À LA CLIENTÈLE :** Pour contacter le service à la clientèle pour une question technique ou pour tout autre renseignement, veuillez nous téléphoner au 1-800-860-4050.

RYOBI est une marque déposée de Ryobi Limited et est utilisée en vertu d'une licence accordée par Ryobi Limited.

• **PIEZAS DE REPUESTO Y SERVICIO:** Antes de solicitar servicio técnico o comprar piezas de repuesto, obtenga su número de artículo, el número de fabricación y el número de serie de la placa de datos del producto.

NÚMERO DE ARTÍCULO \_\_\_\_\_

NÚMERO DE FABRICACIÓN \_\_\_\_\_

NÚMERO DE SERIE \_\_\_\_\_

**CÓMO OBTENER PIEZAS DE REPUESTO:** Las piezas de repuesto se pueden comprar en nuestro sitio en la red mundial, en la dirección [www.ryobitools.com](http://www.ryobitools.com) o llamando al 1-800-860-4050. Las piezas de repuesto también se pueden obtener en uno de nuestros centros de servicio.

**CÓMO LOCALIZAR UN CENTRO DE SERVICIO:** Puede encontrar los centros de servicio visitando nuestro sitio en la red mundial, en la dirección [www.ryobitools.com](http://www.ryobitools.com) or by calling 1-800-860-4050.

**CÓMO OBTENER SERVICIO O ASISTENCIA TÉCNICA AL CONSUMIDOR:** Para obtener servicio o asistencia técnica al consumidor, sírvase comunicarse con nosotros llamando al 1-800-860-4050.

RYOBI es una marca registrada de Ryobi Limited y se utiliza conforme a una licencia otorgada por Ryobi Limited.

## TECHTRONIC INDUSTRIES POWER EQUIPMENT

995000715  
11-22-19 (REV:07)

P.O. Box 1288, Anderson, SC 29622, USA  
1-800-860-4050 • [www.ryobitools.com](http://www.ryobitools.com)