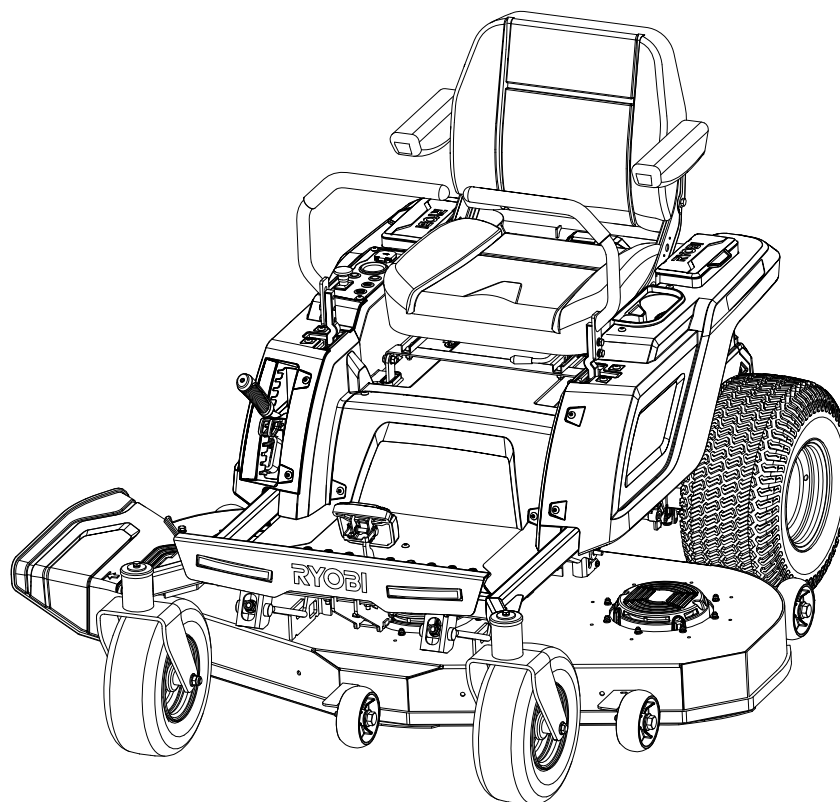


REPLACEMENT PARTS LIST

BRAND		DESCRIPTION
RYOBI		54 in. Electric Zero Turn Mower
MODEL NO.	MFG. NO.	
RY48140	099749046	
RY48141	099749053	



TTI OUTDOOR POWER EQUIPMENT, INC.

P.O. Box 1288, Anderson, SC 29622 ■ 1-800-525-2579 ■ www.ryobitools.com

998000498

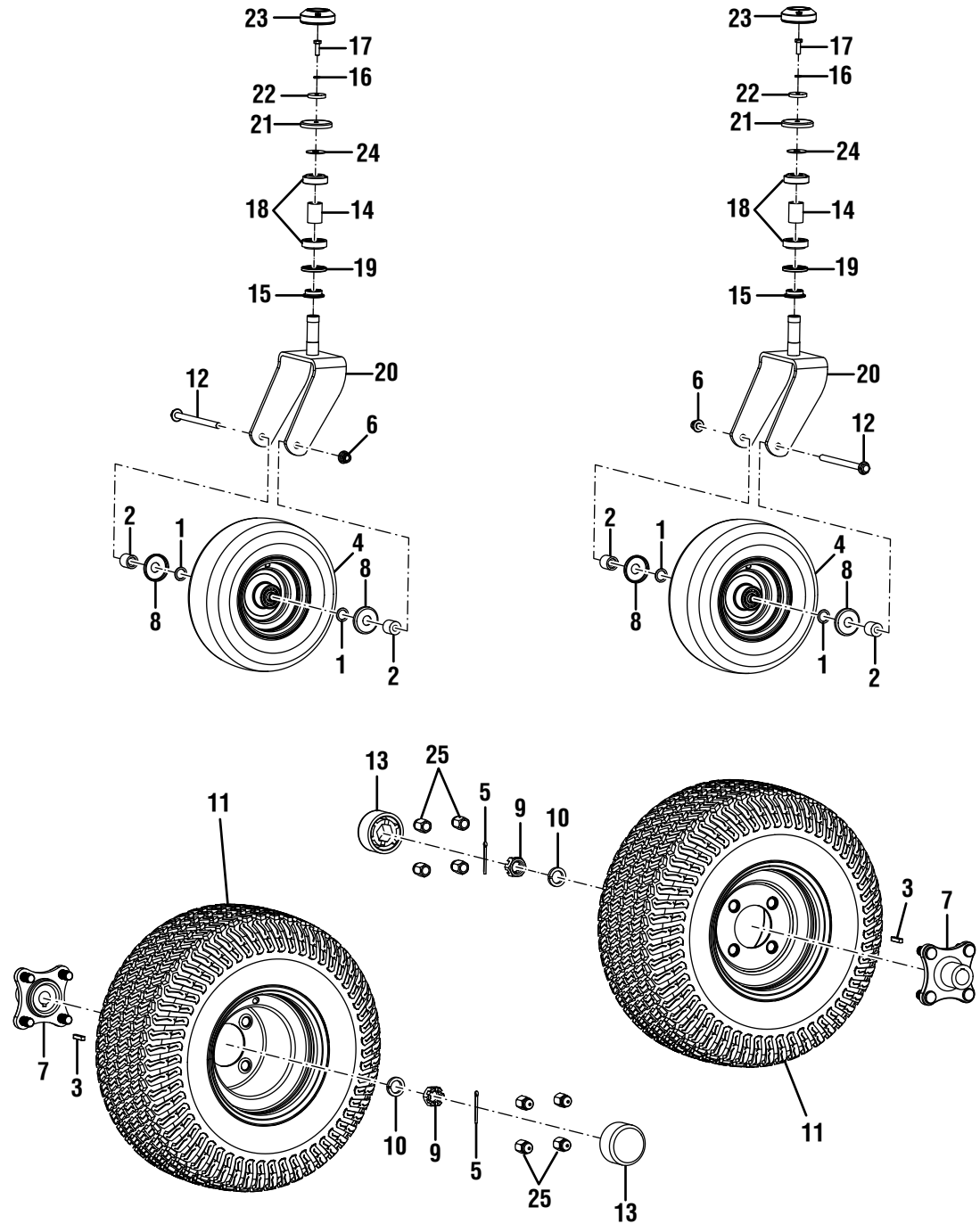
1-19-22 (Rev:02)

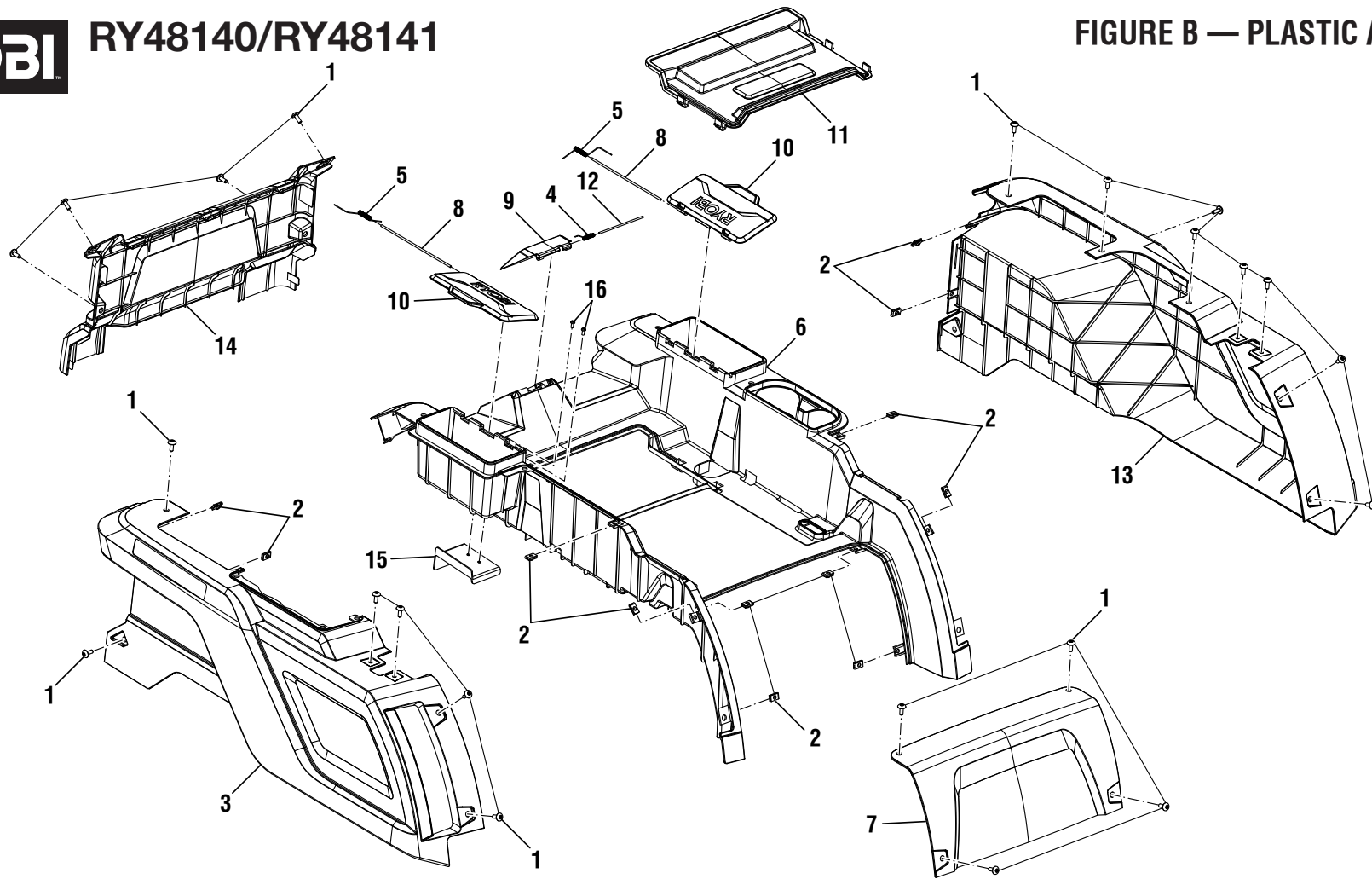
The model number and manufacturing location will be found on a label attached to the product. Always mention this information in all communications regarding this product and when ordering parts.

PARTS LIST — FIGURE A

KEY NO.	PART NO.	DESCRIPTION	QTY.
1	994842001	Washer (28 x 20.5 x 2t)	4
2	996997001	Caster Wheel Spacer	4
3	996988001	Key (6 mm x 6 mm x 30 mm)	2
4	997681001	Caster Wheel	2
5	997139001	Drive Shaft Cotter Pin	2
6	996999001	Flange Nut (M12)	2
7	996987001	Wheel Hub	2
8	994857001	Front Wheel Bearing Cover	4
9	997138001	Castle Nut (M20)	2
10	997134001	Lock Spring Washer (ID20.6 x OD30.6 x 4.8t)	2
11	997680001	Rear Wheel Assembly	2
12	996998001	Flange Bolt (M12 x 170 mm, Hex Hd.)	2
13	996029001	Wheel Hub Cover	2
14	996993001	Bearing Assembly Spacer	2
15	996991001	Bearing Assembly Base	2
16	994770001	Lock Washer (M8)	2
17	997142001	Bolt (M8 x 25 mm)	2
18	996992001	Roller Bearing (ID25 mm x OD52 mm)	4
19	997125001	Rubber Seal	2
20	996990001	Caster Fork	2
21	996994001	Bearing Assembly Cap	2
22	996995001	Fender Washer (ID8.4 x OD37 x 6t)	2
23	997130001	Caster Fork Cover	2
24	997036001	Fender Washer (ID12.5 x OD40 x 2t)	2
25	997143001	Acorn Nut (M14)	8

FIGURE A — WHEEL ASSEMBLY





PARTS LIST — FIGURE B

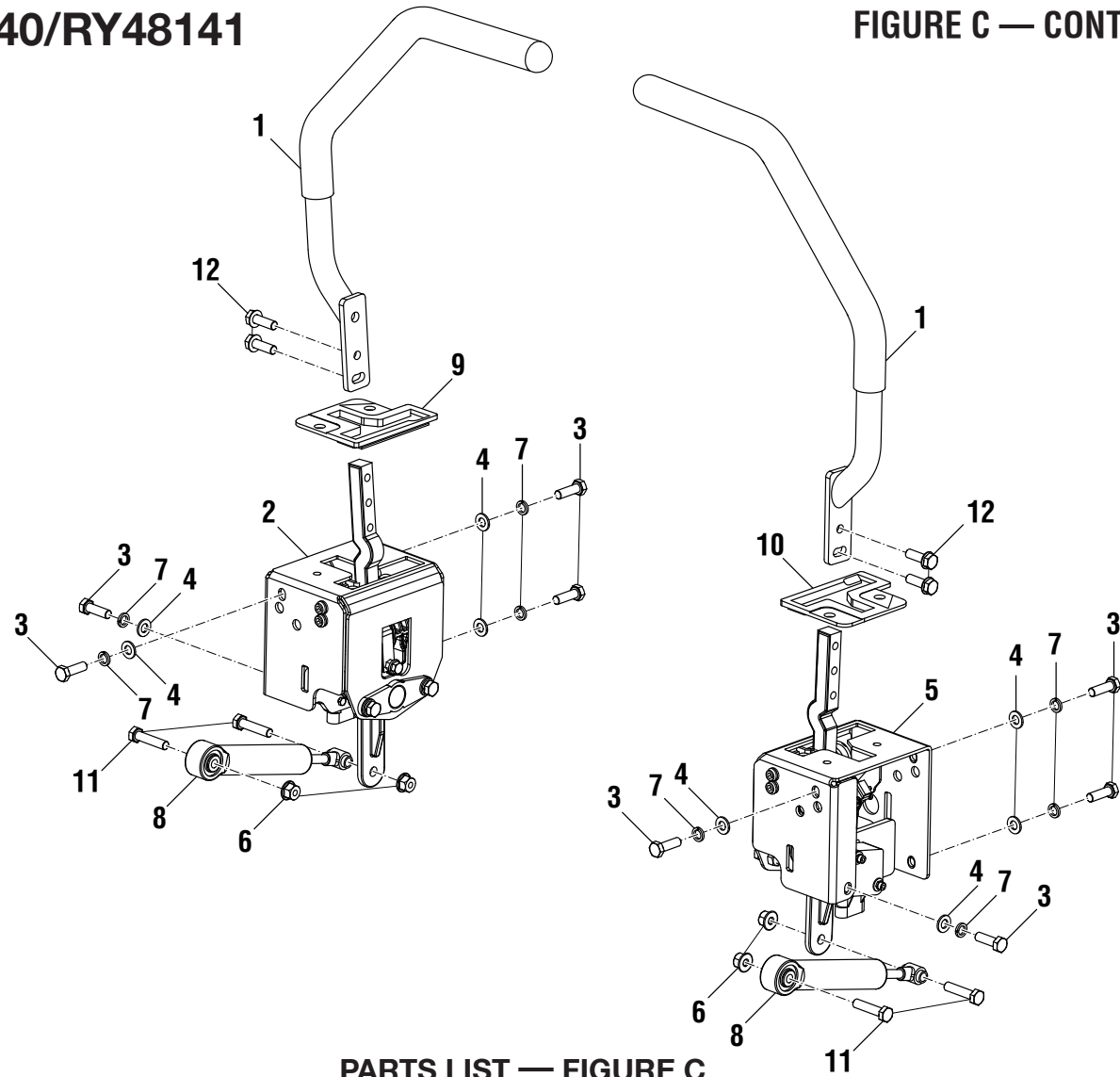
KEY NO.	PART NO.	DESCRIPTION	QTY.
1	994989001	Screw (M6 x 16 mm, Torx Pan Hd.)	22
2	994785001	Clip-On Nut (M6)	12
3	997064001	Right Trim Cover	1
4	997075001	Charger Port Door Spring	1
5	997076001	Storage Box Spring	2
6	997061001	Center Trim Cover	1
7	997066001	Front Access Panel	1
8	997070001	Storage Box Hinge Pin	2

KEY NO.	PART NO.	DESCRIPTION	QTY.
9	997067001	Charger Port Door	1
10	997068001	Storage Box Lid	2
11	997065001	Center Access Panel	1
12	997069001	Charger Port Door Hinge Pin	1
13	997063001	Left Trim Cover	1
14	997062001	Rear Trim Cover	1
15	997087001	Main Relay Guard	1
16	996297001	Screw (M4 x 10 mm, Pan Hd.)	2



RY48140/RY48141

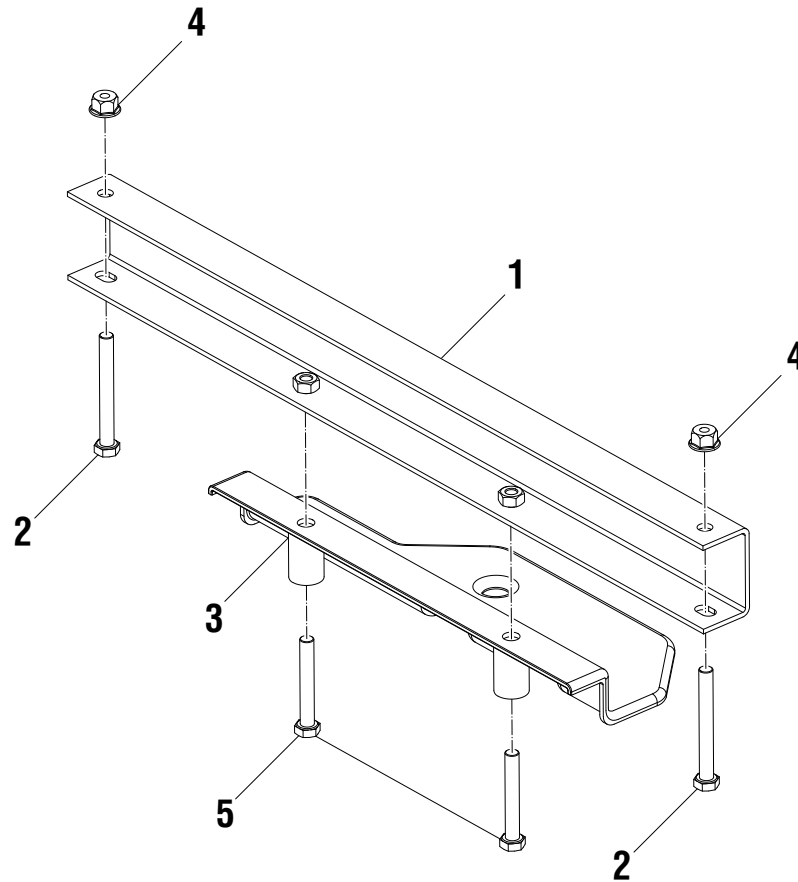
FIGURE C — CONTROL ARM ASSEMBLY



PARTS LIST — FIGURE C

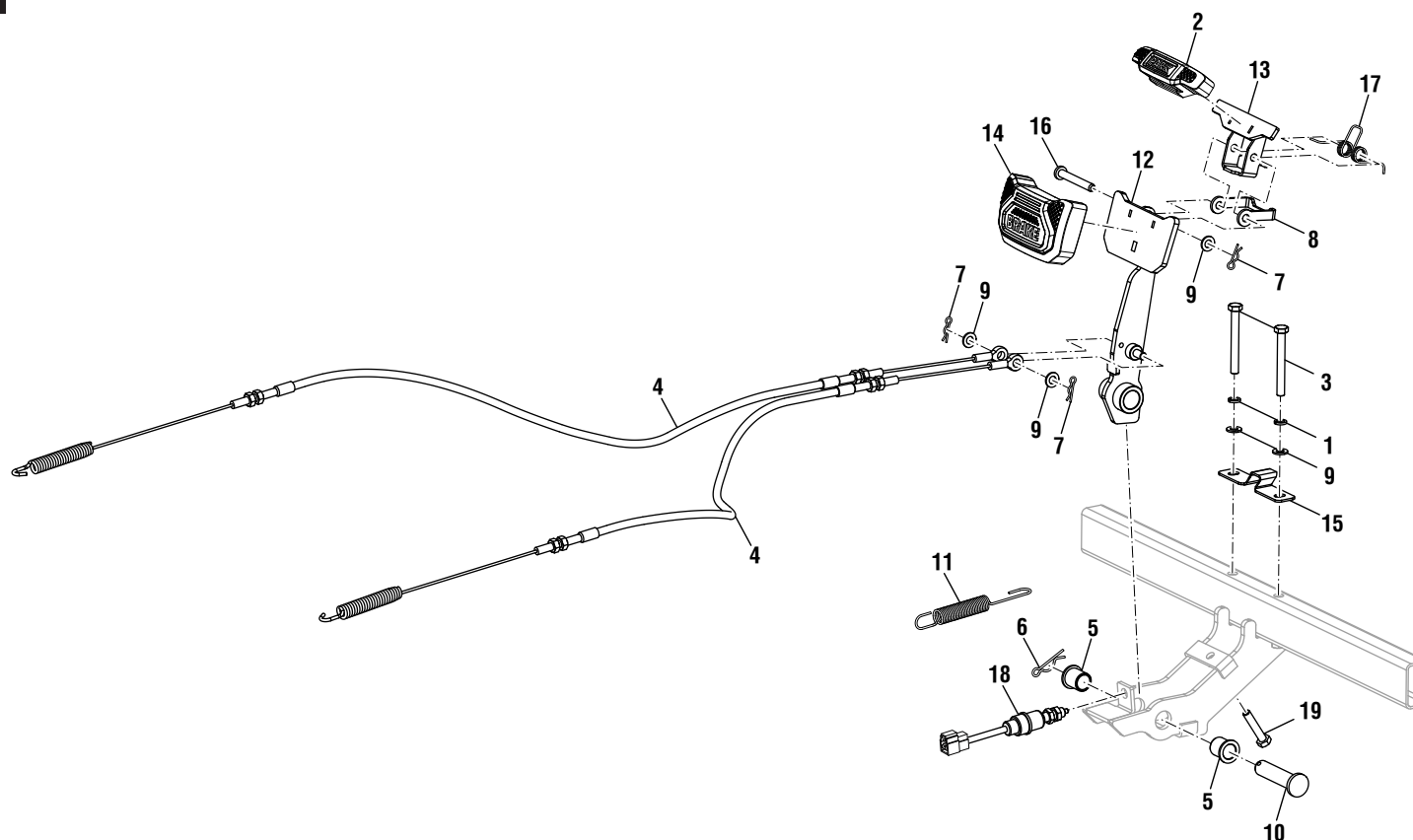
KEY NO.	PART NO.	DESCRIPTION	QTY.
1	997677001	Control Arm Handle	2
2	997144001	Control Arm Assembly, Left	1
3	996046001	Bolt (M8 x 25 mm, Hex Hd.)	8
4	994771001	Washer (M8)	8
5	997145001	Control Arm Assembly, Right	1
6	994867001	Flange Nut (M8)	4

KEY NO.	PART NO.	DESCRIPTION	QTY.
7	994770001	Lock Washer (M8)	8
8	997072001	Control Arm Damper	2
9	997043001	T-Slot Insert, Left	1
10	997044001	T-Slot Insert, Right	1
11	997135001	Bolt (M8 x 35 mm, Hex Hd.)	4
12	997146001	Bolt w/Washer (M8 x 25 mm, Hex Hd.)	4



PARTS LIST — FIGURE D

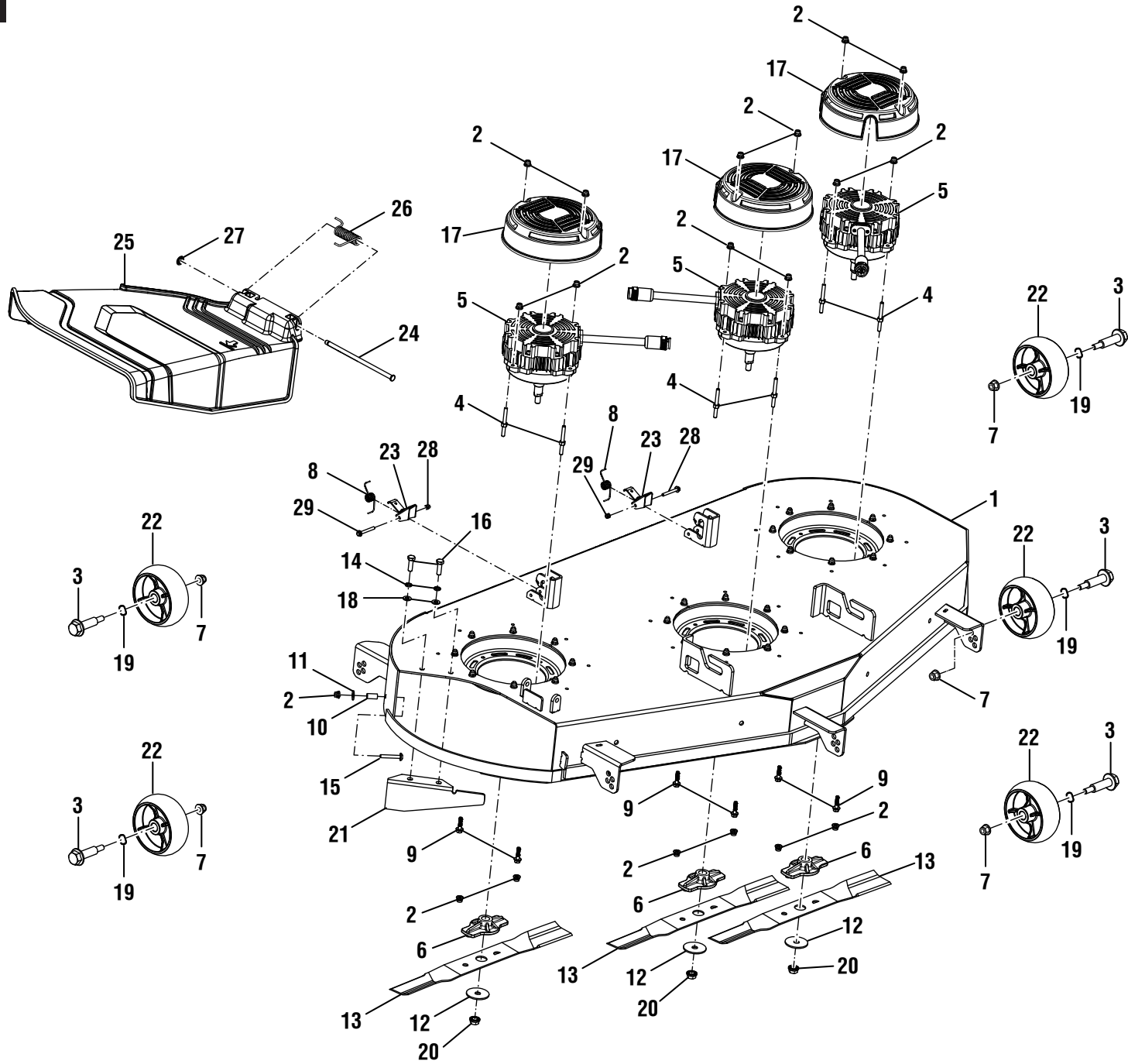
KEY NO.	PART NO.	DESCRIPTION	QTY.
1	996983001	Rear Cross Member, Frame	1
2	997089001	Bolt (M8 x 70 mm, Hex Hd.)	2
3	997051001	Tow Hitch	1
4	994867001	Flange Nut (M8)	2
5	997136001	Bolt (M8 x 55 mm, Hex Hd.)	2



PARTS LIST — FIGURE E

KEY NO.	PART NO.	DESCRIPTION	QTY.
1	994770001	Lock Washer (M8)	2
2	997010001	Parking Brake Rubber Pad	1
3	997089001	Bolt (M8 x 70 mm, Hex Hd.)	2
4	997452001	Brake Cable	2
5	994928001	Bushing, Brake Pedal	2
6	994930001	Cotter Pin (16 mm)	1
7	996013001	Cotter Pin	3
8	997006001	Parking Brake Latch	1
9	994771001	Washer (M8)	5
10	994929001	Pedal Axle Pin	1

KEY NO.	PART NO.	DESCRIPTION	QTY.
11	997011001	Brake Pedal Spring	1
12	997004001	Brake Pedal Lever	1
13	997005001	Parking Brake Pedal	1
14	997009001	Brake Pedal Rubber Pad	1
15	997003001	Brake Latch Hook	1
16	997007001	Clevis Pin (M8 x 60 mm)	1
17	997008001	Parking Brake Torsion Spring	1
18	994837001	Brake Switch	1
19	997131001	Bolt (M8 x 40 mm, Hex Hd.)	1



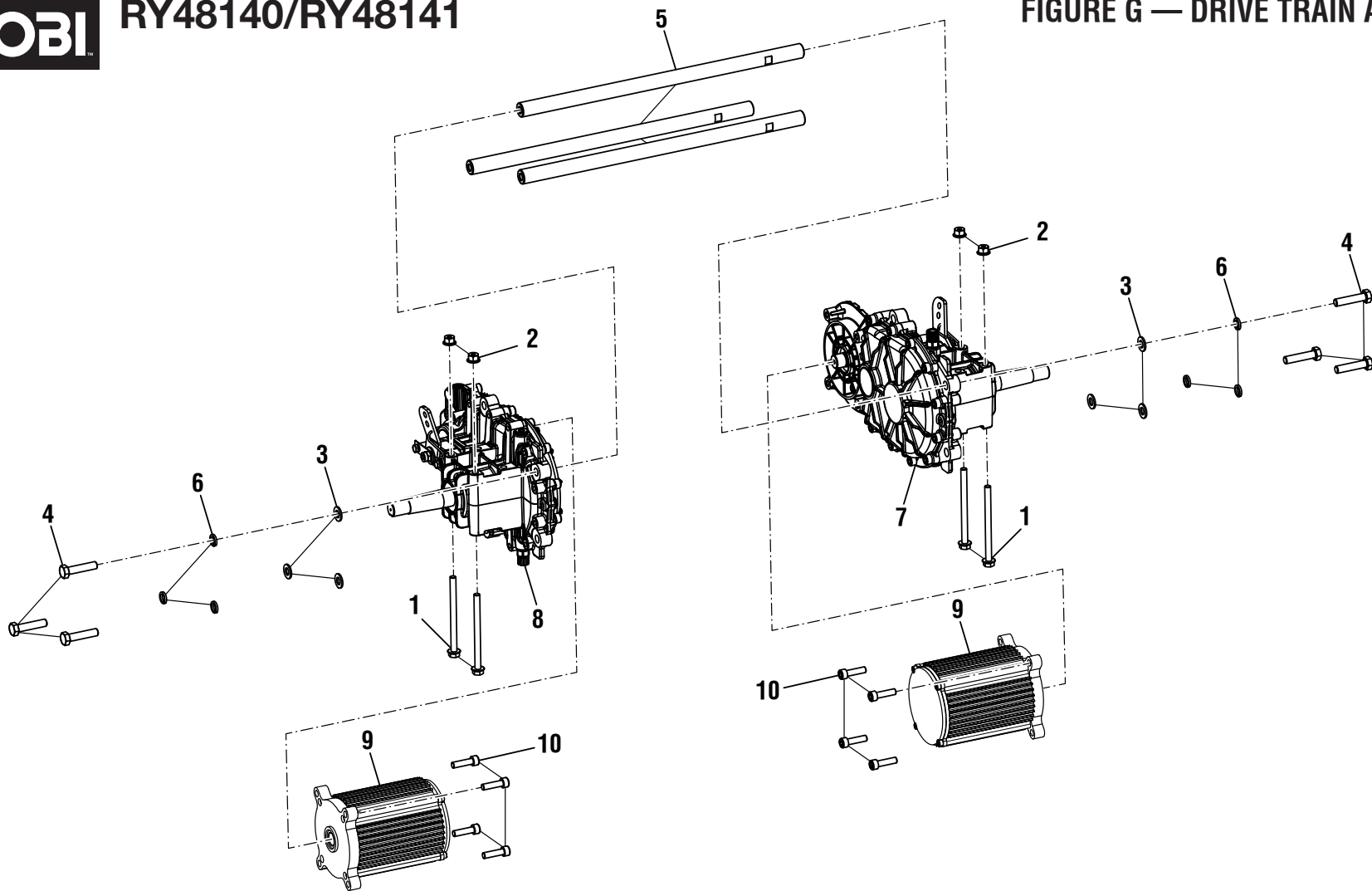


RY48140/RY48141

PARTS LIST — FIGURE F

KEY NO.	PART NO.	DESCRIPTION	QTY.
1	997462001	Deck, 54 in. (Inc. Key Nos. 8, 23, and 28-29)	1
2	996251001	Flange Lock Nut (M6)	17
3	996205001	Shoulder Bolt (M10 x 70 mm)	5
4	996201001	Threaded Stud (M6 x 35 mm)	6
5	997684001	Deck Motor	3
6	997027001	Blade Adapter	3
7	996192001	Hex Lock Nut (M10)	5
8	997683001	Deck Clip Spring	2
9	996057001	Flange Bolt (M6 x 25 mm, Hex Hd.)	6
10	996039001	Deck Bagger Chute Mounting Shaft	1
11	996034001	Flat Washer (M6)	1
12	997028001	Blade Retainer Washer	3
13	997464001	Blade (18.5 in.)	3
14	994867001	Lock Washer (M8)	2
15	996250001	Screw (M6 x 40 mm, Torx Hd.)	1

KEY NO.	PART NO.	DESCRIPTION	QTY.
16	996046001	Carriage Bolt (M8 x 25 mm)	2
17	997463001	Deck Motor Cover, Top	3
18	994771001	Washer (M8)	2
19	996355001	Spring Washer	5
20	996261001	Lock Nut (M10)	3
21	997474001	Deck Baffle (42 in.)	1
22	996265001	Front Deck Roller Wheel	5
23	997479001	Deck Clip Latch	2
24	997466001	Hinge Pin	1
25	997465001	Side Discharge Chute	1
26	994980001	Torsion Spring	1
27	996292001	Push-On Retainer Clip	1
28	997477001	Flange Nut (M5)	2
29	997476001	Bolt (M5 x 45 mm)	2



PARTS LIST — FIGURE G

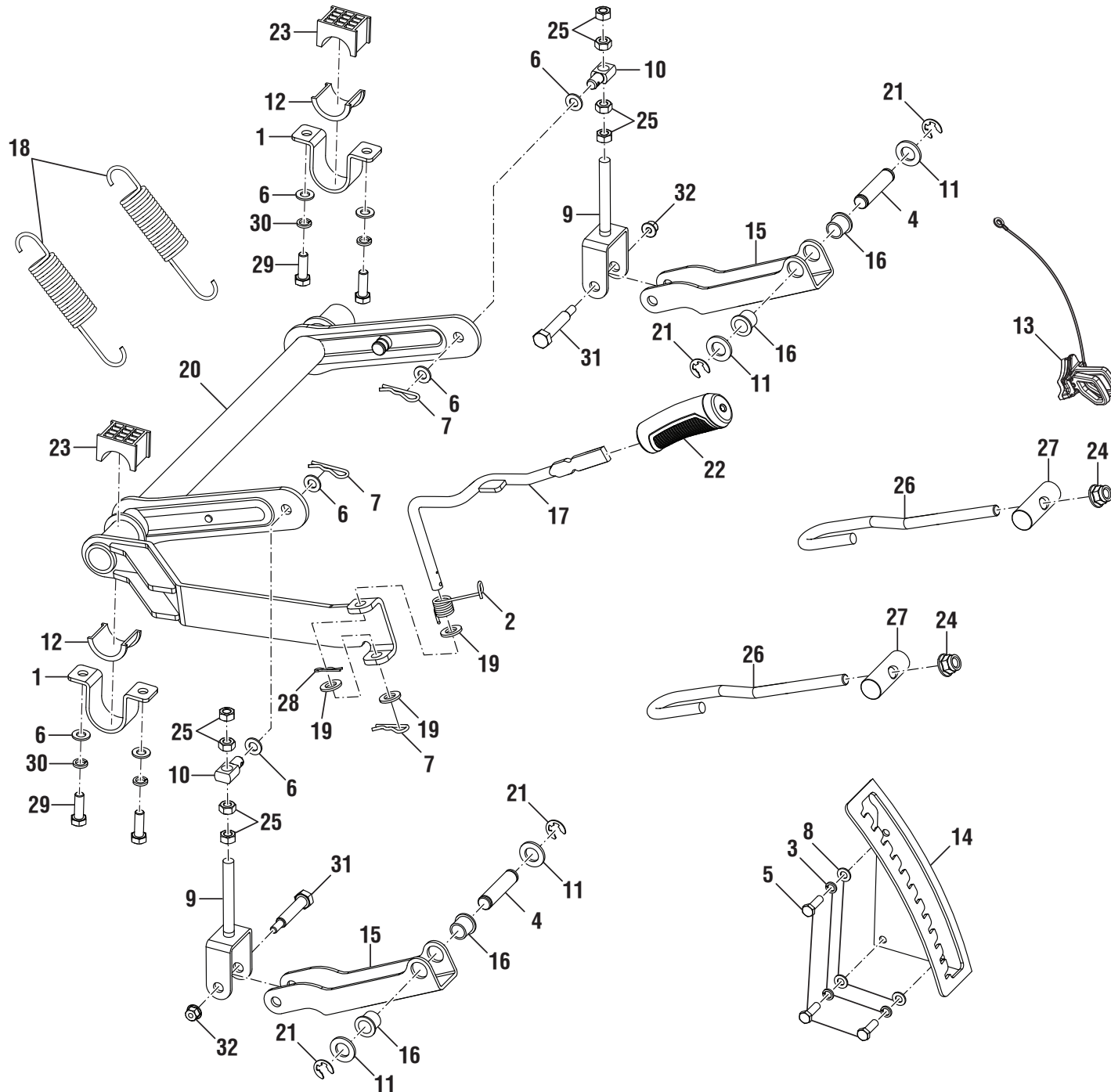
KEY NO.	PART NO.	DESCRIPTION	QTY.
1	997088001	Flange Bolt (M8 x 110 mm, Hex Hd.)	4
2	994867001	Flange Nut (M8)	4
3	994996001	Washer (M10)	6
4	996323001	Bolt (M10 x 45 mm, Hex Hd.)	6
5	997000001	Tie Rod	3

KEY NO.	PART NO.	DESCRIPTION	QTY.
6	994998001	Lock Spring Washer (ID10.9 x OD16.1 x 2.6t)	6
7	997158001	Gearbox, Left	1
8	997159001	Gearbox, Right	1
9	997470001	Drive Motor	2
10	997160001	Screw (M8 x 30 mm, Soc Hd.)	8



RY48140/RY48141

FIGURE H — DECK LIFTING ASSEMBLY



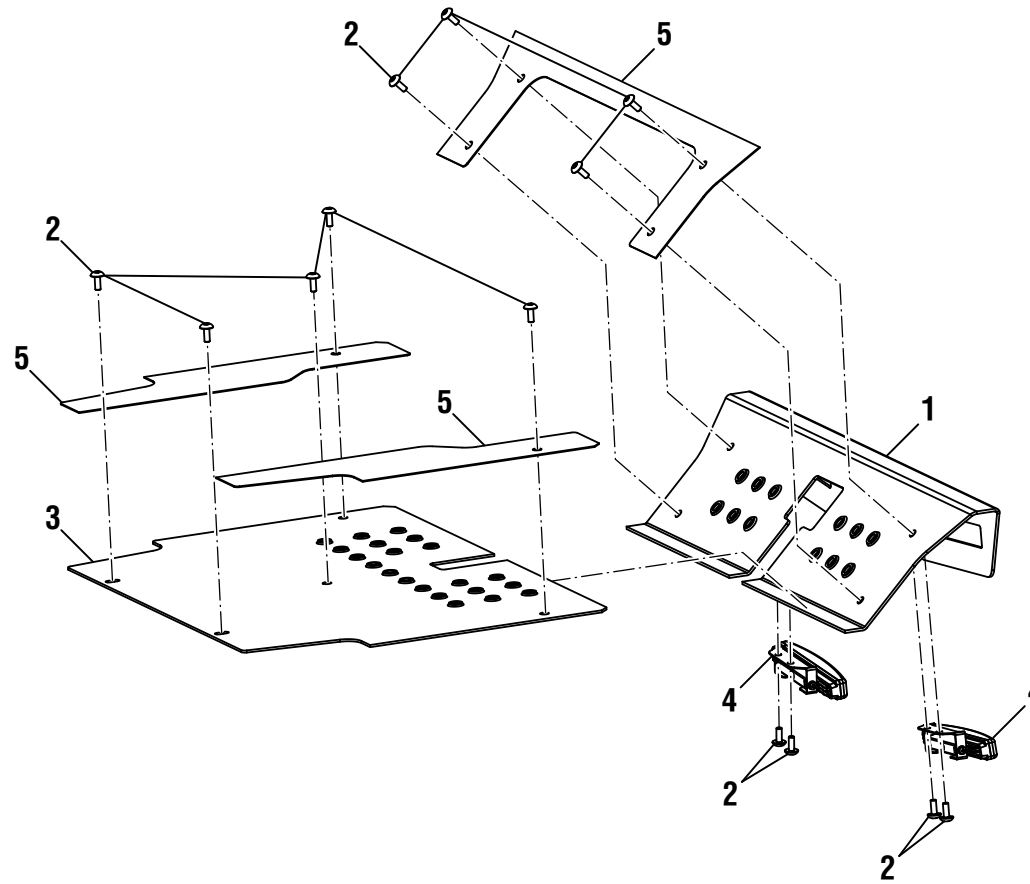


RY48140/RY48141

PARTS LIST — FIGURE H

KEY NO.	PART NO.	DESCRIPTION	QTY.
1	997458001	Deck Lift Axle Mount	2
2	997023001	Deck Lift Lever Torsion Spring	1
3	994770001	Lock Washer (M8)	3
4	997474001	Deck Lift Linkage Axle	2
5	996046001	Bolt (M8 x 25 mm)	3
6	994996001	Washer (M10)	8
7	996233001	Cotter Pin	3
8	994771001	Washer (M8)	3
9	997460001	Deck Lift Linkage	2
10	997455001	Hanger Stud	2
11	994763001	Washer (ID17 x OD30 x 3t)	4
12	997456001	Deck Lift Axle Bushing, Bottom	2
13	997128001	Cut Height Memory Plug	1
14	997679001	Detent Plate	1
15	997454001	Y-Hook, Deck Hanger	2
16	997359001	Deck Lift Linkage Bushing	4

KEY NO.	PART NO.	DESCRIPTION	QTY.
17	997678001	Deck Lift Lever	1
18	997461001	Deck Lift Spring	2
19	994891001	Washer (M13)	3
20	997459001	Deck Lift Linkage and Axle Assembly	1
21	994833001	E-Clip	4
22	994972001	Decklift Handle	1
23	997457001	Deck Lift Axle Bushing, Top	2
24	996999001	Flange Nut (M12)	2
25	997685001	Nut (M12)	8
26	997453001	J-Hook, Front Deck Hanger	2
27	997097001	Front Deck Hanger Pivot Axle	2
28	994892001	Cotter Pin	1
29	997106001	Bolt (M10 x 30 mm, Hex Hd.)	4
30	994998001	Lock Spring Washer (ID10.9 x OD16.1 x 2.6t)	4
31	997478001	Deck Linkage Shoulder Bolt	2
32	994867001	Flange Nut (M8)	2

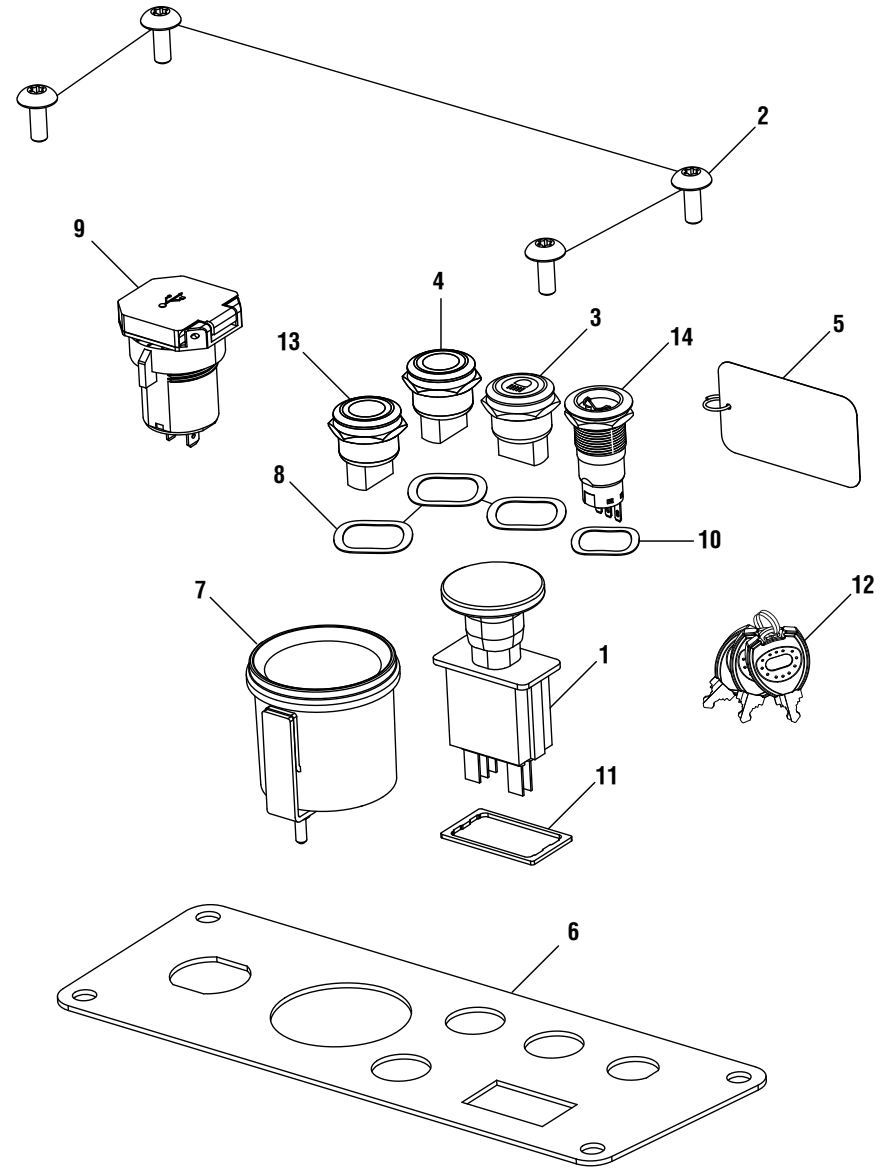


PARTS LIST — FIGURE I

KEY NO.	PART NO.	DESCRIPTION	QTY.
1	997001001	Foot Rest Plate	1
2	994989001	Screw (M6 x 1 x 16, Torx Hd.)	13
3	997001001	Floor Plate	1
4	994957001	Light Assembly	2
5	997081001	Anti-Slip Decal Package	1

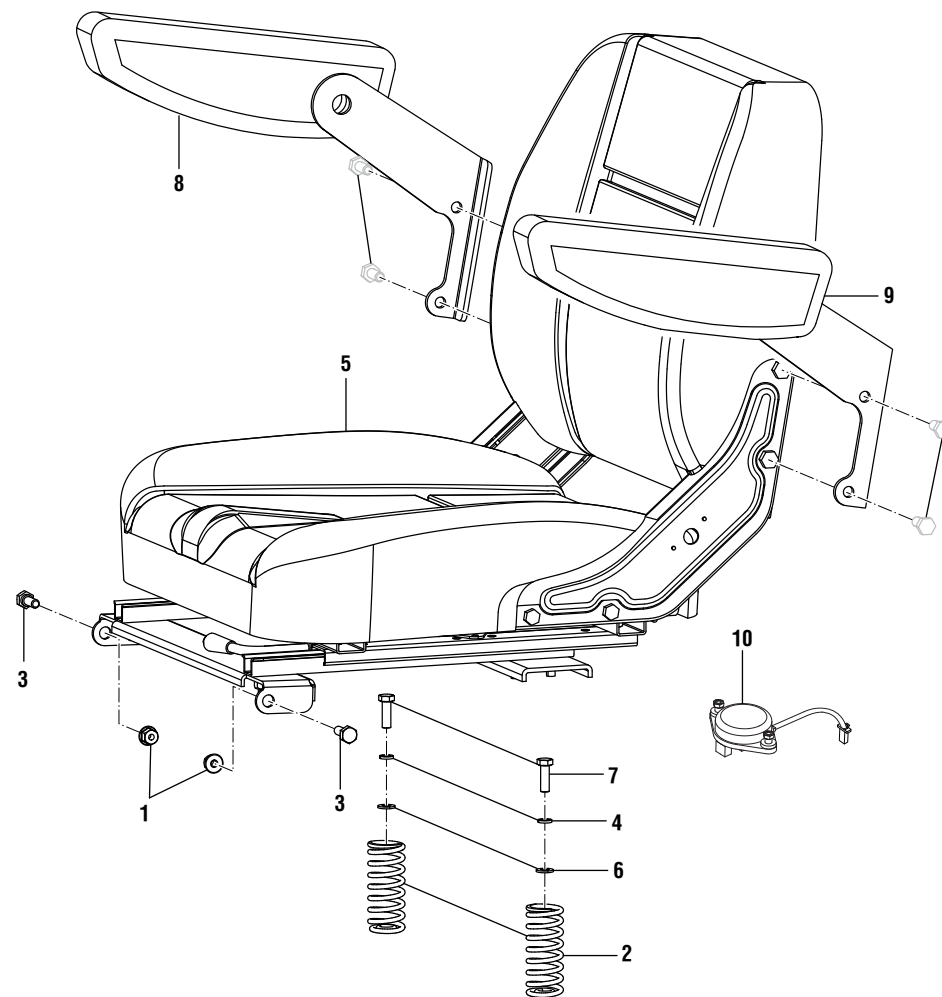
PARTS LIST — FIGURE J

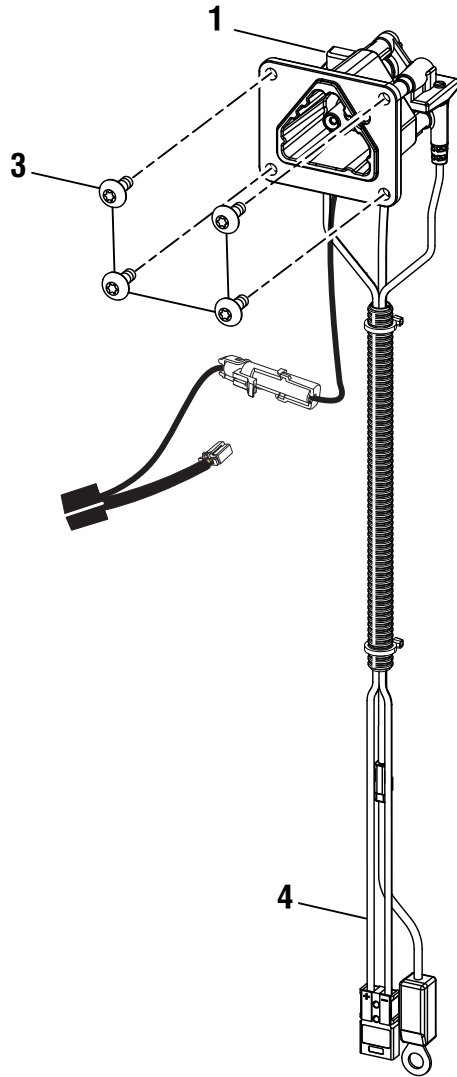
KEY NO.	PART NO.	DESCRIPTION	QTY.
1	994970001	PTO	1
2	994989001	Screw (M6 x 16 mm, Torx Hd.)	4
3	994966001	Light Switch Button	1
4	997080001	Drive Speed Button Switch	1
5	996288001	Warning Tag	1
6	997071001	Control Panel Face Plate	1
7	997078001	Fuel Gauge	1
8	996361001	Spring Washer 2	3
9	994963001	USB Module	1
10	996362001	Spring Washer 3	1
11	997082001	PTO Gasket	1
12	996049001	Key	3
13	997079001	Blade Speed Button Switch	1
14	994964001	Key Module	1



PARTS LIST — FIGURE K

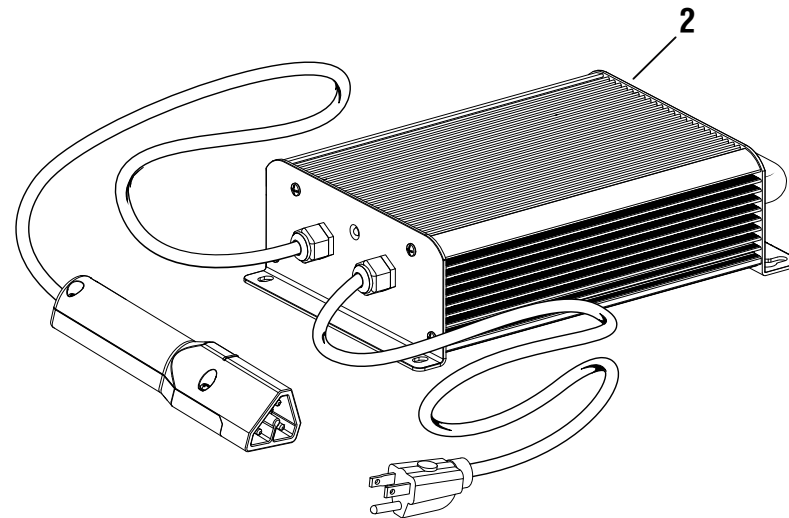
KEY NO.	PART NO.	DESCRIPTION	QTY.
1	994867001	Flange Nut (M8)	2
2	997073001	Seat Spring	2
3	994849001	Shoulder Bolt (M8 x 4 mm, Hex Hd.)	2
4	994770001	Lock Washer (M8)	2
5	997054001	Seat	1
6	994771001	Washer (M8)	2
7	996046001	Bolt (M8 x 25 mm)	2
8	997675001	Long Armrest, Right	1
9	997676001	Long Armrest, Left	1
10	996277001	Seat Switch	1





PARTS LIST — FIGURE L

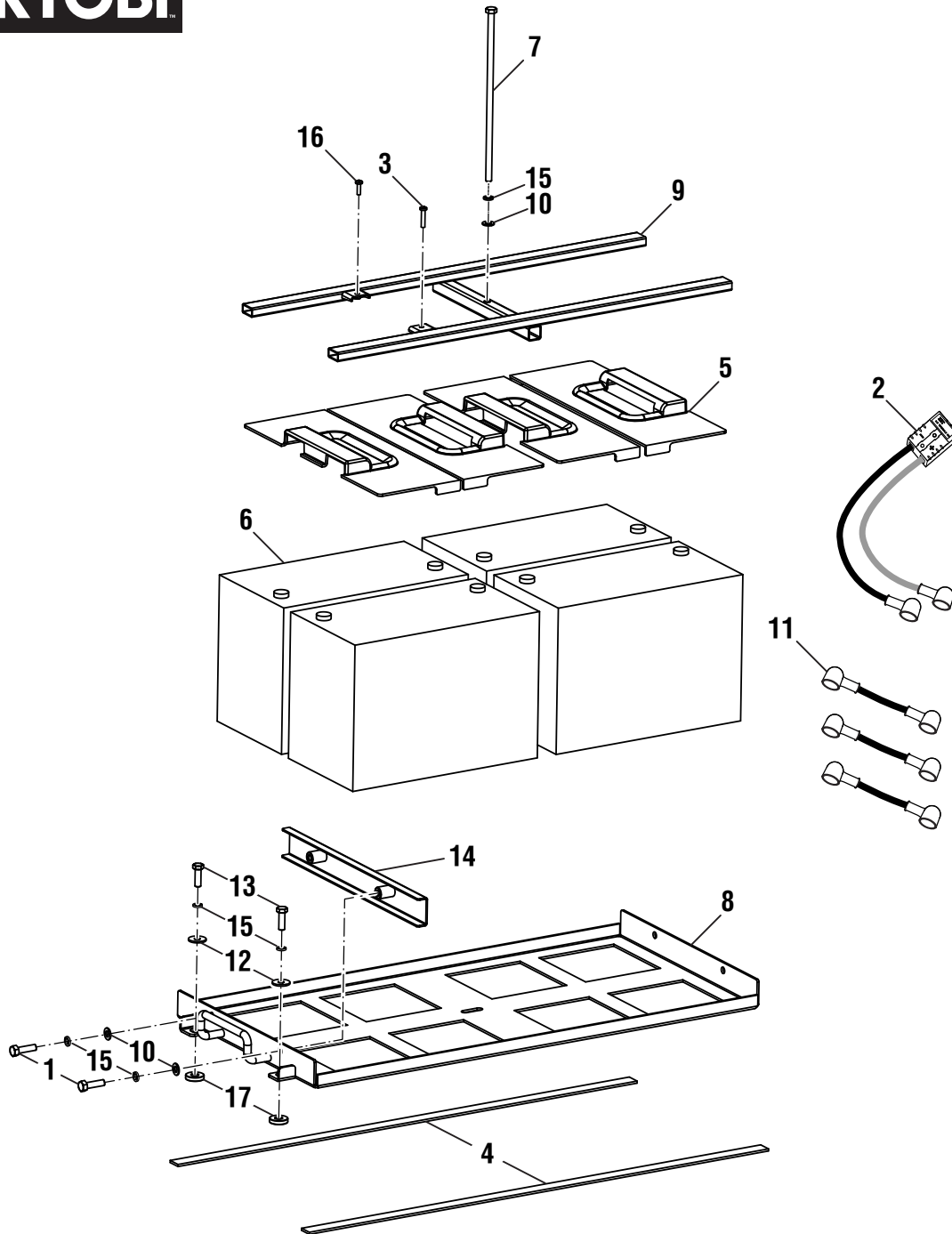
KEY NO.	PART NO.	DESCRIPTION	QTY.
1	996207001	Charger Receptacle, 3 Pin Assembly (Inc. Key No. 4)	1
2	140448001	American Standard Charger	1
3	994989001	Screw (M6 x 16, Torx Hd.)	4
4	997687001	Battery Temperature Sensor	1





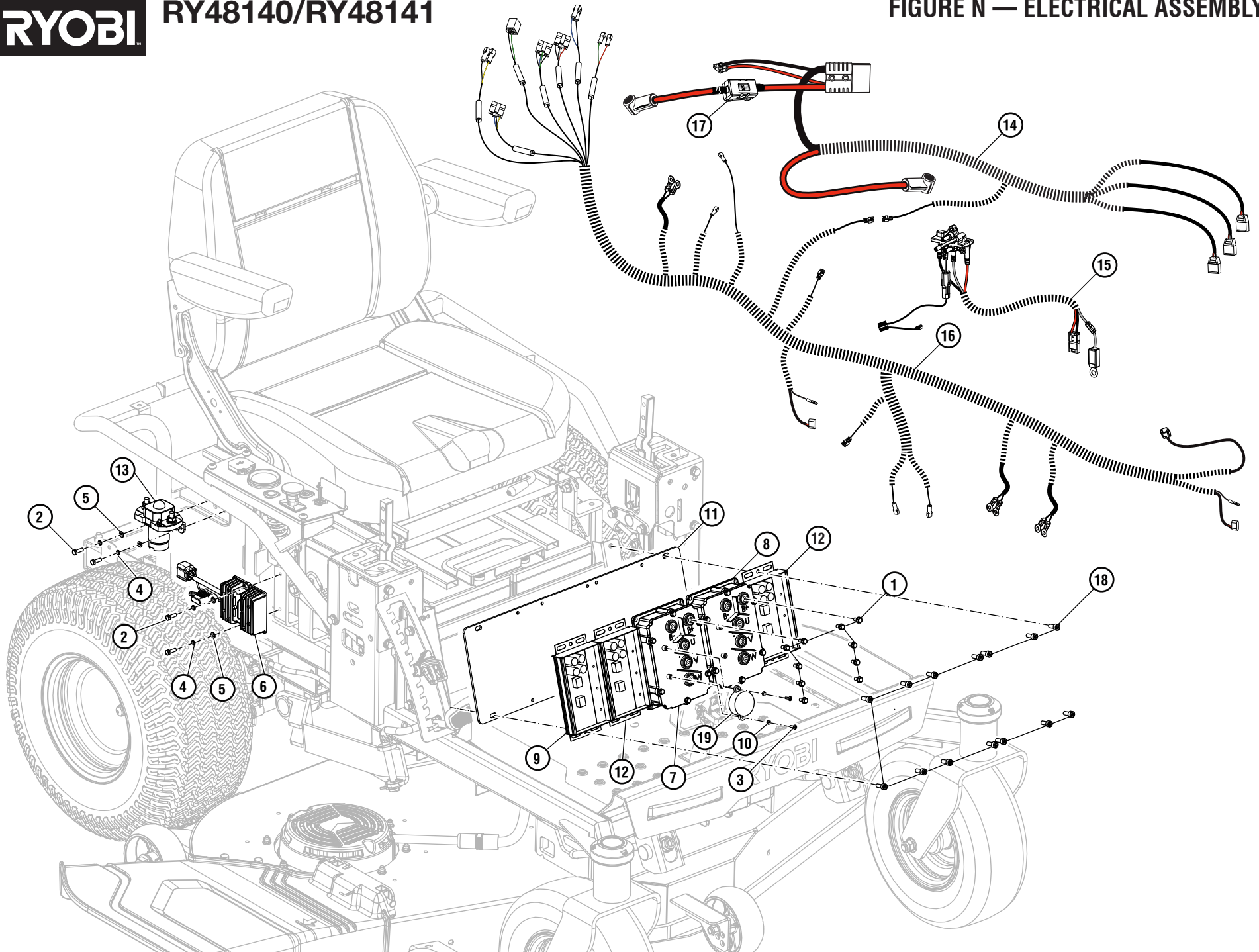
RY48140/RY48141

FIGURE M — BATTERY AND BATTERY TRAY ASSEMBLY



PARTS LIST — FIGURE M

KEY NO.	PART NO.	DESCRIPTION	QTY.
1	997142001	Bolt (M8 x 25 mm)	2
2	997102001	Battery Cable 2	1
3	997133001	Screw (M5 x 25 mm)	1
4	997049001	Battery Tray Slider	2
5	997092001	Battery Shield	4
6	997451001	LPC12-115 Battery	4
7	997096001	Bolt (M8 x 240 mm, Hex Hd.)	1
8	994923001	Battery Tray	1
9	997050001	Battery Tie Down	1
10	994771001	Washer (M8)	3
11	996272001	Battery Cable 1	3
12	994827001	Washer (ID8.4 x OD24 x 2t)	2
13	996046001	Bolt (M8 x 25 mm)	2
14	996351001	Battery Holder Bracket	1
15	994770001	Lock Washer (M8)	5
16	996213001	Bungie Anchor Screw	1
17	996038001	Metal Bushing	2



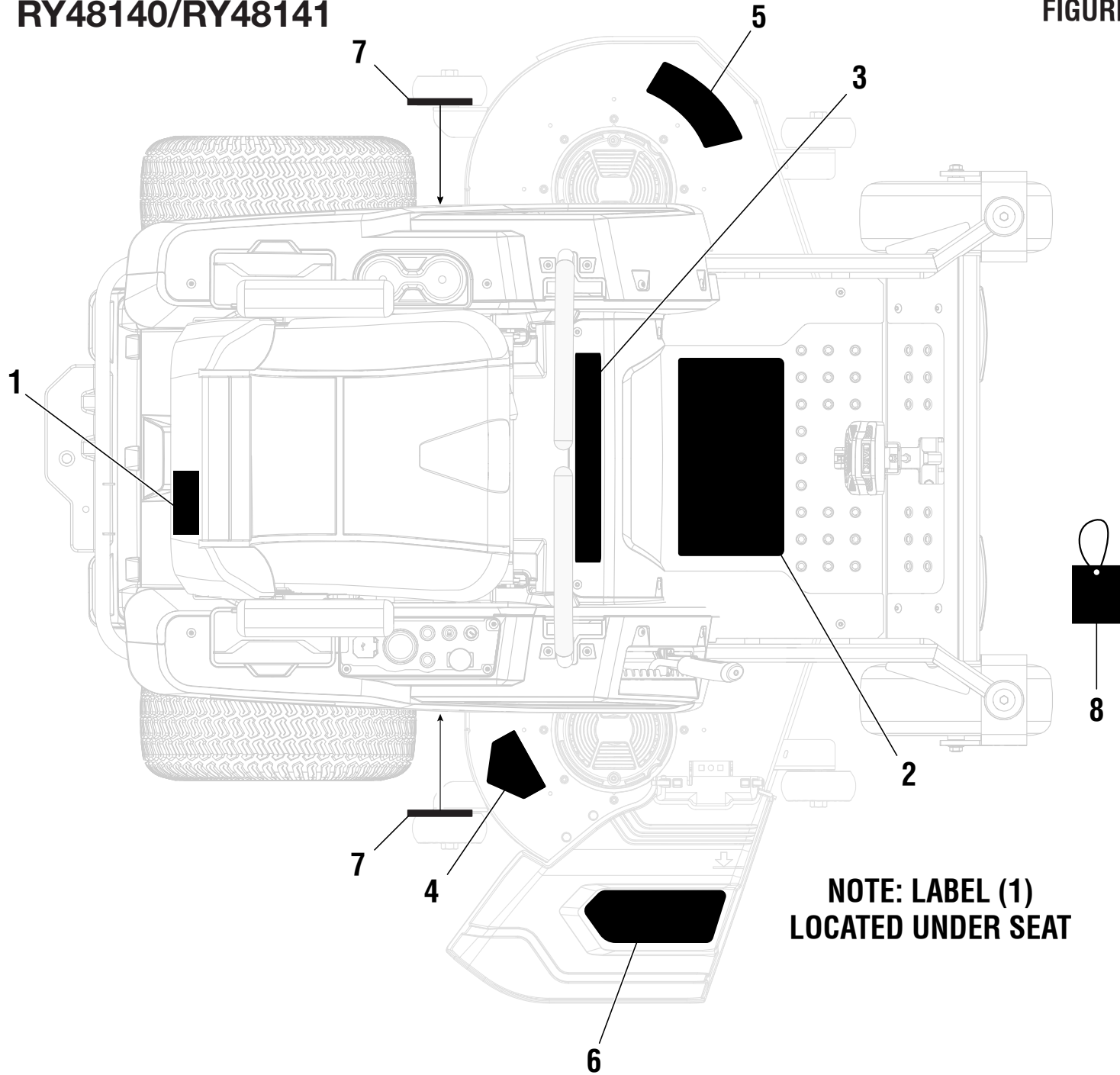


RY48140/RY48141

PARTS LIST — FIGURE N

KEY NO.	PART NO.	DESCRIPTION	QTY.
1	997137001	Flange Bolt (M5 x 12 mm, Hex Hd.)	10
2	996565001	Bolt (M5 x 16 mm, Hex Hd.)	4
3	997094001	Screw (M3 x 12 mm, Pan Hd.)	2
4	996286001	Lock Spring Washer (5 mm)	4
5	996295001	Washer (5.3 x 12 x 1t)	4
6	997077001	DC to DC Converter	1
7	997057001	Drive Motor Controller, Slave	1
8	997056001	Drive Motor Controller, Master	1
9	997468001	Deck Motor Controller, Master	1
10	996035001	Flat Washer (M3)	2

KEY NO.	PART NO.	DESCRIPTION	QTY.
11	997467001	Controller Mounting Plate	1
12	997469001	Deck Motor Controller, Slave	2
13	994993001	Main Relay	1
14	997686001	Battery Output Cable	1
15	997103001	Charging Controller	1
16	997682001	Main Wiring Harness	1
17	997147001	Fuse, 125 Amp	1
18	997098001	Screw (M6 x 16 mm, Soc. Hd.)	14
19	997149001	Beeper	1



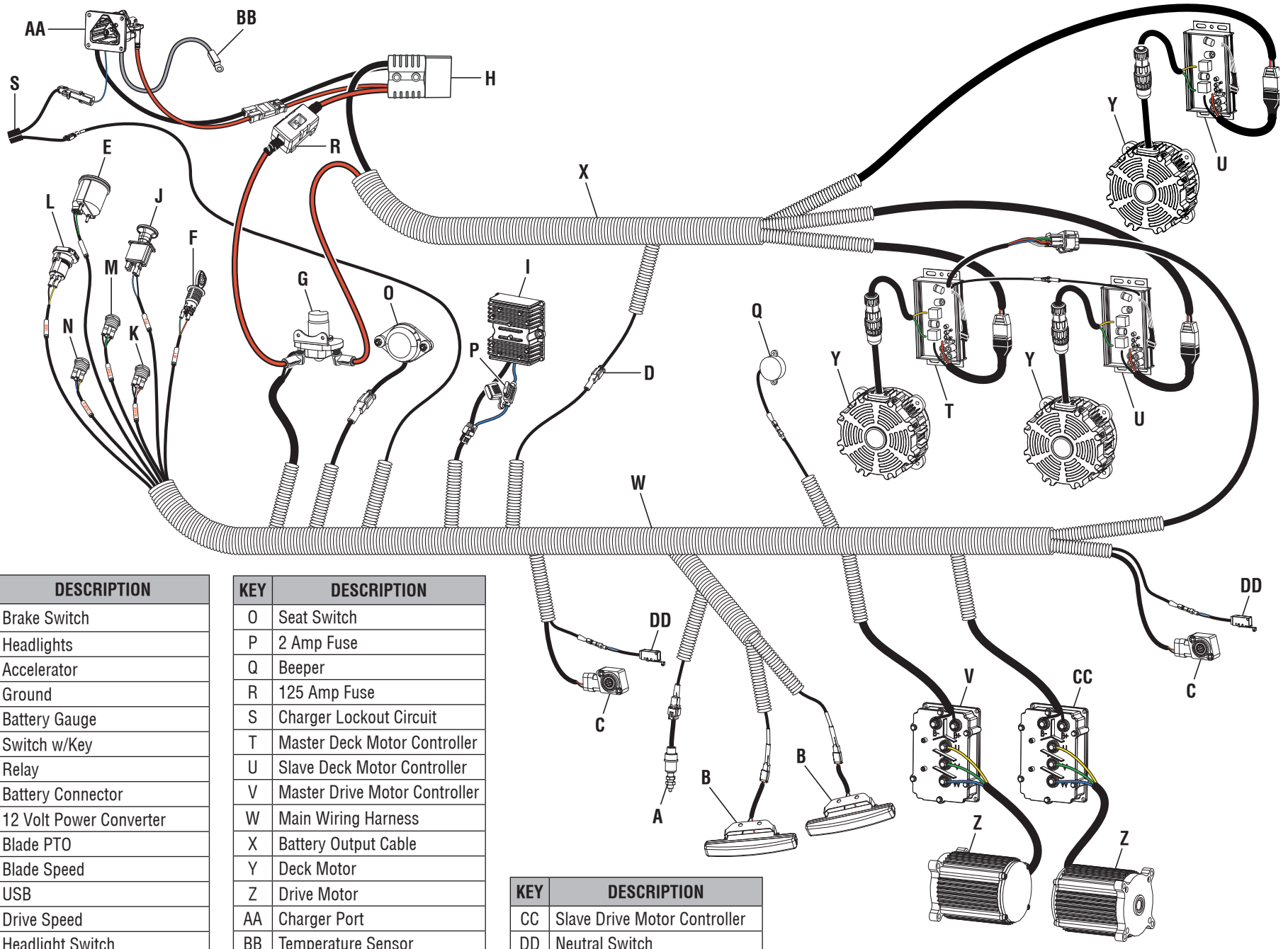


RY48140/RY48141

PARTS LIST — FIGURE O

KEY NO.	PART NO.	DESCRIPTION	QTY.
1	941588859	Data Label (RY48140)	1
	941588865	Data Label (RY48141)	1
2	099749015064	Floor Danger Label, English	1
	099749015065	Floor Danger Label, Spanish	1
3	099749015068	Instruction Label, English	1
	099749015069	Instruction Label, Spanish	1
4	940851219	No Hands Cpsc Danger Label, English	2
	940851226	No Hands Cpsc Danger Label, Spanish	2

KEY NO.	PART NO.	DESCRIPTION	QTY.
5	940851207	Deck Danger Label, English	1
	940851217	Deck Danger Label, Spanish	1
6	940851208	Discharge Danger Label, English	1
	940851228	Discharge Danger Label, Spanish	1
7	940779312	Pinch Point Icon Label	2
8	941511019	Prop 65 Canada Label	1



KEY	DESCRIPTION
A	Brake Switch
B	Headlights
C	Accelerator
D	Ground
E	Battery Gauge
F	Switch w/Key
G	Relay
H	Battery Connector
I	12 Volt Power Converter
J	Blade PTO
K	Blade Speed
L	USB
M	Drive Speed
N	Headlight Switch

KEY	DESCRIPTION
O	Seat Switch
P	2 Amp Fuse
Q	Beeper
R	125 Amp Fuse
S	Charger Lockout Circuit
T	Master Deck Motor Controller
U	Slave Deck Motor Controller
V	Master Drive Motor Controller
W	Main Wiring Harness
X	Battery Output Cable
Y	Deck Motor
Z	Drive Motor
AA	Charger Port
BB	Temperature Sensor

KEY	DESCRIPTION
CC	Slave Drive Motor Controller
DD	Neutral Switch