

**48 Volt RYOBI**  
**30 in. Riding Lawn Mower**  
**Item Nos. RY48130/RY48131**  
**Mfg. Nos. 099749020/099237001**  
**Repair Sheet**

**TECHTRONIC INDUSTRIES POWER EQUIPMENT**

P.O. Box 1288, Anderson, SC 29622

Phone 1-800-860-4050

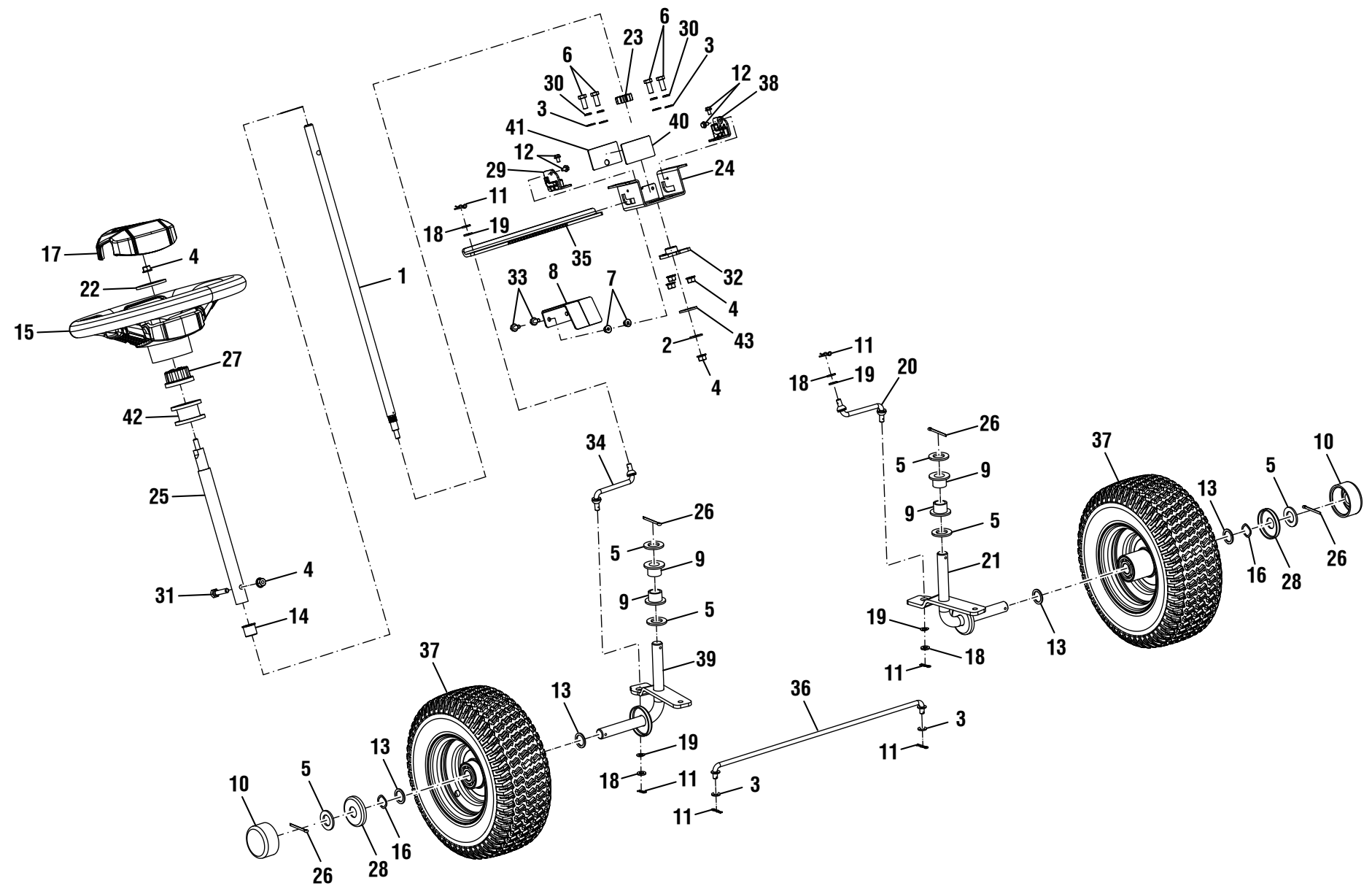
[www.ryobitools.com](http://www.ryobitools.com)

998000189

3-5-20 (Rev:01)

FIGURE A

STEERING SYSTEM



## 30 IN. RIDING LAWN MOWER – MODEL NOS. RY48130/RY48131

The model number will be found on a label under the seat. Always mention the model number in all correspondence regarding your **LAWN MOWER** or when ordering replacement parts.

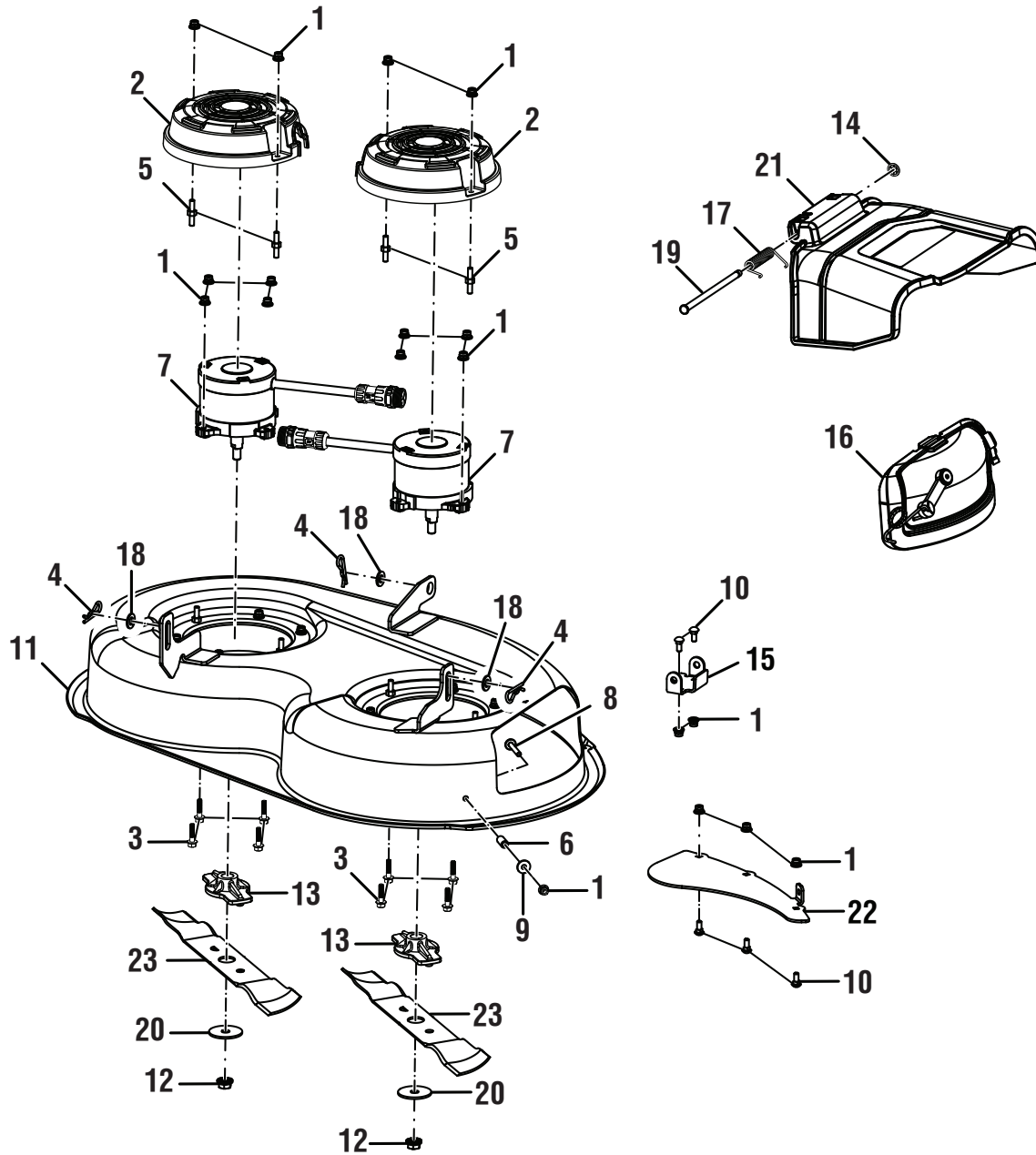
### FIGURE A

### STEERING SYSTEM PARTS LIST

KEY NO.	PART NUMBER	DESCRIPTION	QTY	KEY NO.	PART NUMBER	DESCRIPTION	QTY
1	997298001	Lower Steering Shaft .....	1	23	996225001	Pinion Gear .....	1
2	994827001	Washer (OD24 x ID8 x 2t) .....	1	24	997238001	Steering Rack Seat Bracket.....	1
3	994771001	Washer (M8) .....	6	25	997296001	Upper Steering Shaft .....	1
4	994867001	Flange Nut (M8) .....	6	26	994768001	Cotter Pin.....	4
5	994766001	Washer (OD37 x ID21 x 3t) .....	6	27	994898001	Spline Collar.....	1
6	997374001	Hexagon Bolt (M8 x 20 mm) .....	4	28	994857001	Front Wheel Bearing Cover.....	2
7	994792001	Flange Nut (M6) .....	2	29	997235001	Rack Bushing (Right) .....	1
8	997416001	Rack Limiter .....	1	30	994770001	Lock Washer (M8) .....	4
9	997301001	Steering Knuckle Bushing.....	4	31	997297001	Shoulder Bolt (M8 x 38 mm) .....	1
10	996033001	Front Wheel Dust Cover.....	2	32	994863001	Steering Shaft Seat.....	1
11	996013001	Cotter Pin.....	6	33	996247001	Flange Bolt (M6 x 14 mm, Hex Hd.).....	2
12	996520001	Hex Flange Bolt (M5 x 8 mm) .....	4	34	997306001	Tie Rod (Right) .....	1
13	994842001	Washer (OD28 x ID20.5 x 2t) .....	4	35	997237001	Steering Rack .....	1
14	997293001	Steering Shaft Bushing .....	1	36	997307001	Sway Bar.....	1
15	994873001	Steering Wheel.....	1	37	997302001	Front Wheel Assembly .....	2
16	996362001	Spring Washer .....	2	38	997234001	Rack Bushing (Left).....	1
17	996043001	Steering Wheel Cap.....	1	39	997240001	Steering Knuckle (Right) .....	1
18	997303001	Tie Rod Washer (M8) .....	4	40	997299001	Rack Washer.....	1
19	997375001	Wave Washer .....	4	41	997300001	Steel Pad .....	1
20	997305001	Tie Rod (Left).....	1	42	997354001	Column Spacer .....	1
21	997239001	Steering Knuckle (Left).....	1	43	997361001	Washer.....	1
22	994899001	Washer Plate.....	1				

FIGURE B

DECK ASSEMBLY



## 30 IN. RIDING LAWN MOWER – MODEL NOS. RY48130/RY48131

The model number will be found on a label under the seat. Always mention the model number in all correspondence regarding your **LAWN MOWER** or when ordering replacement parts.

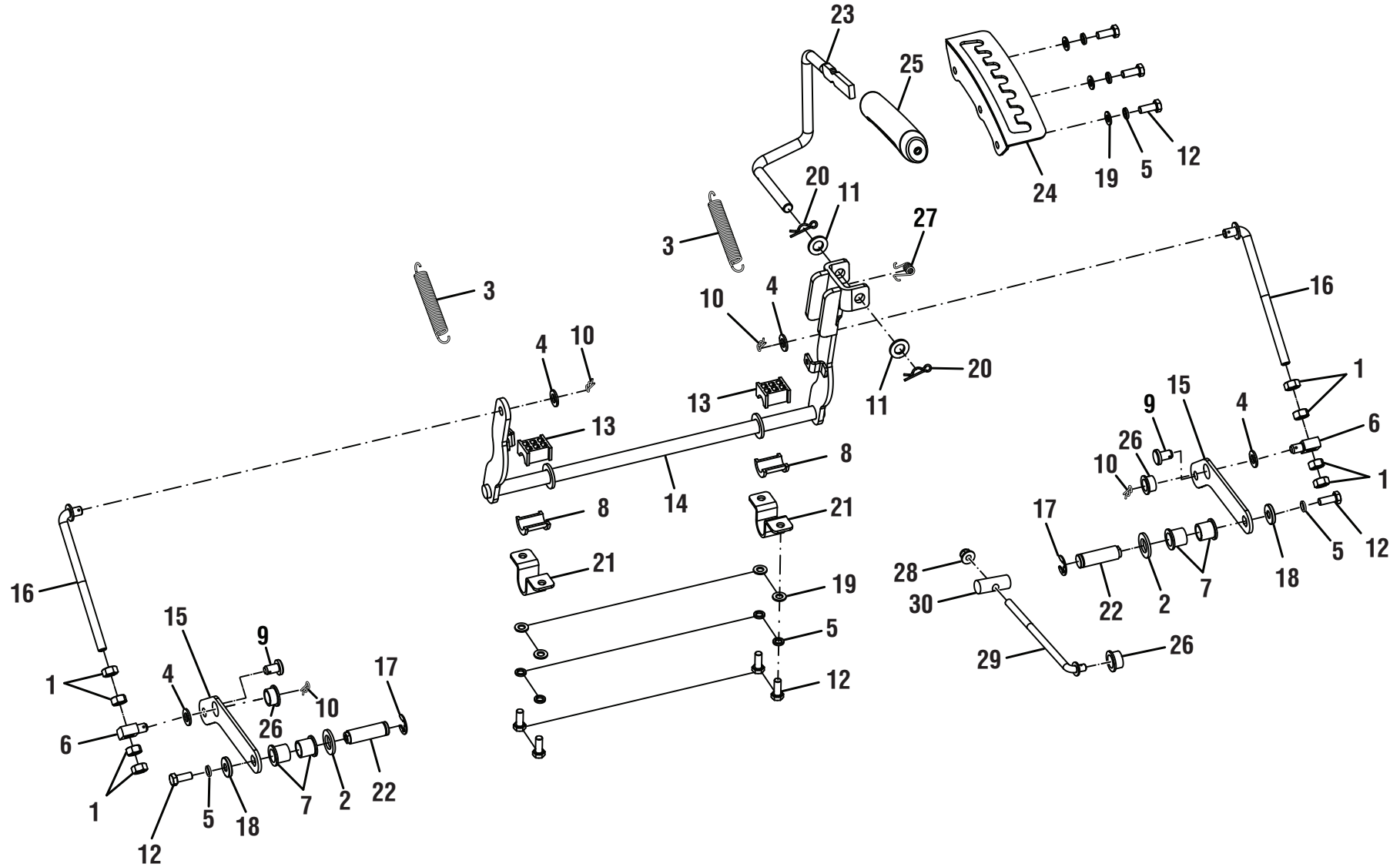
### FIGURE B

### DECK ASSEMBLY PARTS LIST

KEY NO.	PART NUMBER	DESCRIPTION	QTY	KEY NO.	PART NUMBER	DESCRIPTION	QTY
1	996251001	Flange Lock Nut (M6).....	18	13	997027001	Blade Adapter.....	2
2	997229001	Deck Motor Cover.....	2	14	996292001	Retainer Clip .....	1
3	996057001	Flange Bolt (M6 x 25 mm, Hex Hd.).....	8	15	997242001	Discharge Door Bracket.....	1
4	996233001	Cotter Pin.....	3	16	997228001	Mulch Plug.....	1
5	997324001	Deck Motor Stud.....	4	17	997326001	Discharge Spring .....	1
6	996039001	Bagger Chute Mounting Shaft.....	1	18	994996001	Washer (OD20 x ID10.5 x 2t) .....	3
7	997325001	Deck Motor .....	2	19	994981001	Hinge Pin .....	1
8	996250001	Screw (M6 x 40 mm, Torx Hd.) .....	1	20	997028001	Blade Retainer .....	2
9	996034001	Flat Washer (OD18 x ID6 x 1.6t).....	1	21	997227001	Discharge Chute .....	1
10	994791001	Carriage Bolt (M6 x 16 mm).....	5	22	997327001	Baffle.....	1
11	997212001	Deck.....	1	23	997241001	Blade (15 in.).....	2
12	996261001	Flange Lock Nut (M10).....	2				

FIGURE C

DECK LIFTING ASSEMBLY



**30 IN. RIDING LAWN MOWER – MODEL NOS. RY48130/RY48131**

The model number will be found on a label under the seat. Always mention the model number in all correspondence regarding your **LAWN MOWER** or when ordering replacement parts.

**FIGURE C**

**DECK LIFTING ASSEMBLY**

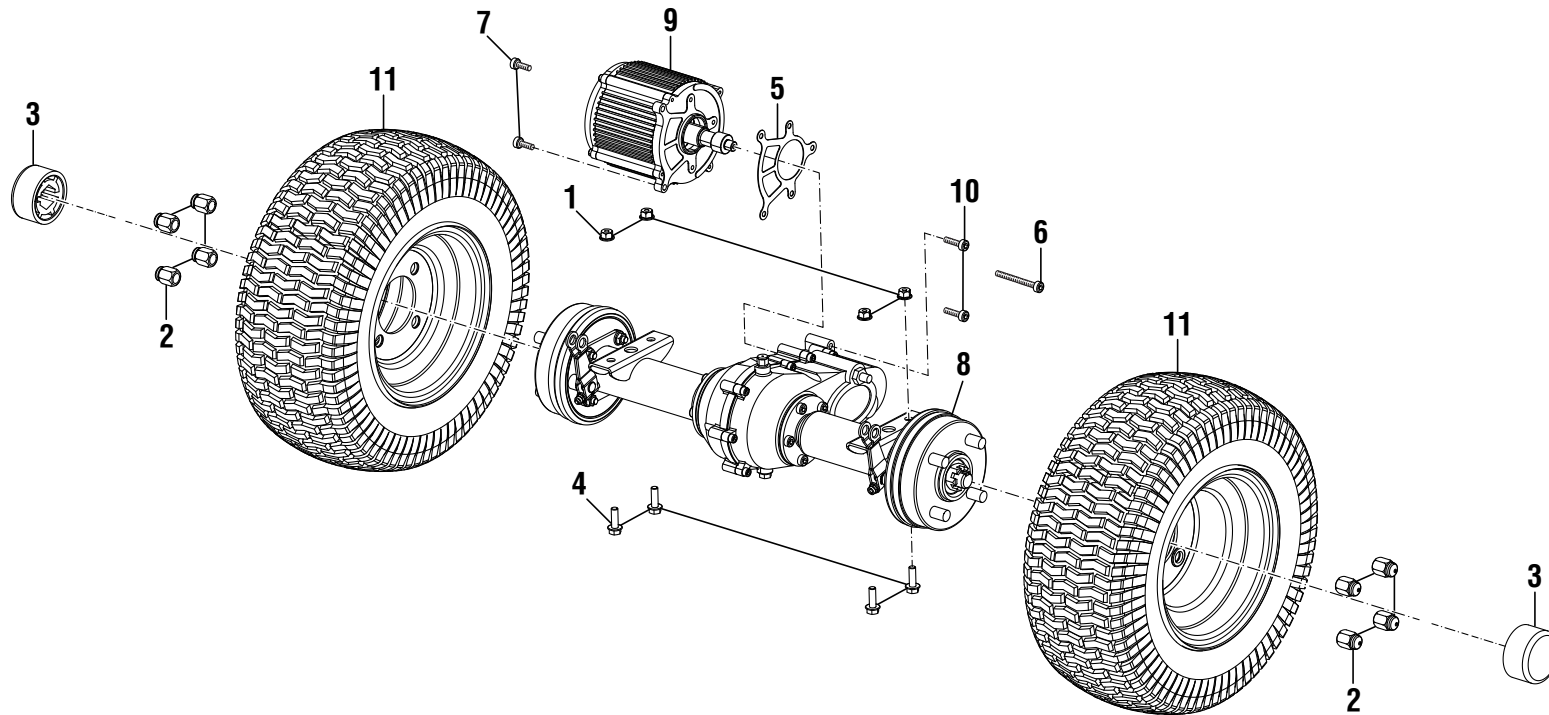
<b>KEY NO.</b>	<b>PART NUMBER</b>	<b>DESCRIPTION</b>	<b>QTY</b>	<b>KEY NO.</b>	<b>PART NUMBER</b>	<b>DESCRIPTION</b>	<b>QTY</b>
1	996263001	Nut (M10) .....	8	16	997319001	J Hook Deck Hanger.....	2
2	994763001	Flat Washer, (OD30 x ID17 x 3t).....	2	17	994833001	E-Clip .....	2
3	997311001	Spring .....	2	18	994954001	Washer (OD24 x ID8 x 24).....	2
4	994996001	Washer (OD20 x ID10.5 x 2t) .....	4	19	994771001	Lock Washer (M8) .....	7
5	994770001	Washer (M8) .....	7	20	994892001	Cotter Pin.....	2
6	997318001	Hanger Stud Mount .....	2	21	997308001	Hanger Bracket Frame Mount .....	2
7	997359001	Linkage Bushing .....	4	22	997316001	Lifting Axle (Rear).....	2
8	997309001	Bottom Axle Bushing.....	2	23	997313001	Lever Rod .....	1
9	997322001	Pin (Rear) .....	2	24	997315001	Detent Plate .....	1
10	996264001	Lock Pin (10 mm).....	4	25	994972001	Handle.....	1
11	994891001	Washer (M13).....	2	26	997360001	Nylon Bushing.....	3
12	997374001	Bolt (M8 x 20 mm, Hex Hd.) .....	9	27	997312001	Torsion Spring Lever .....	1
13	997310001	Top Axle Bushing .....	2	28	996192001	Lock Nut (M10) .....	1
14	997314001	Rear Deck Lift Assembly.....	1	29	997320001	J Hook (Front) .....	1
15	997317001	Left Deck Linkage .....	2	30	997321001	Pivot Axle .....	1

## 30 IN. RIDING LAWN MOWER – MODEL NOS. RY48130/RY48131

The model number will be found on a label under the seat. Always mention the model number in all correspondence regarding your **LAWN MOWER** or when ordering replacement parts.

**FIGURE D**

### DRIVE TRAIN ASSEMBLY



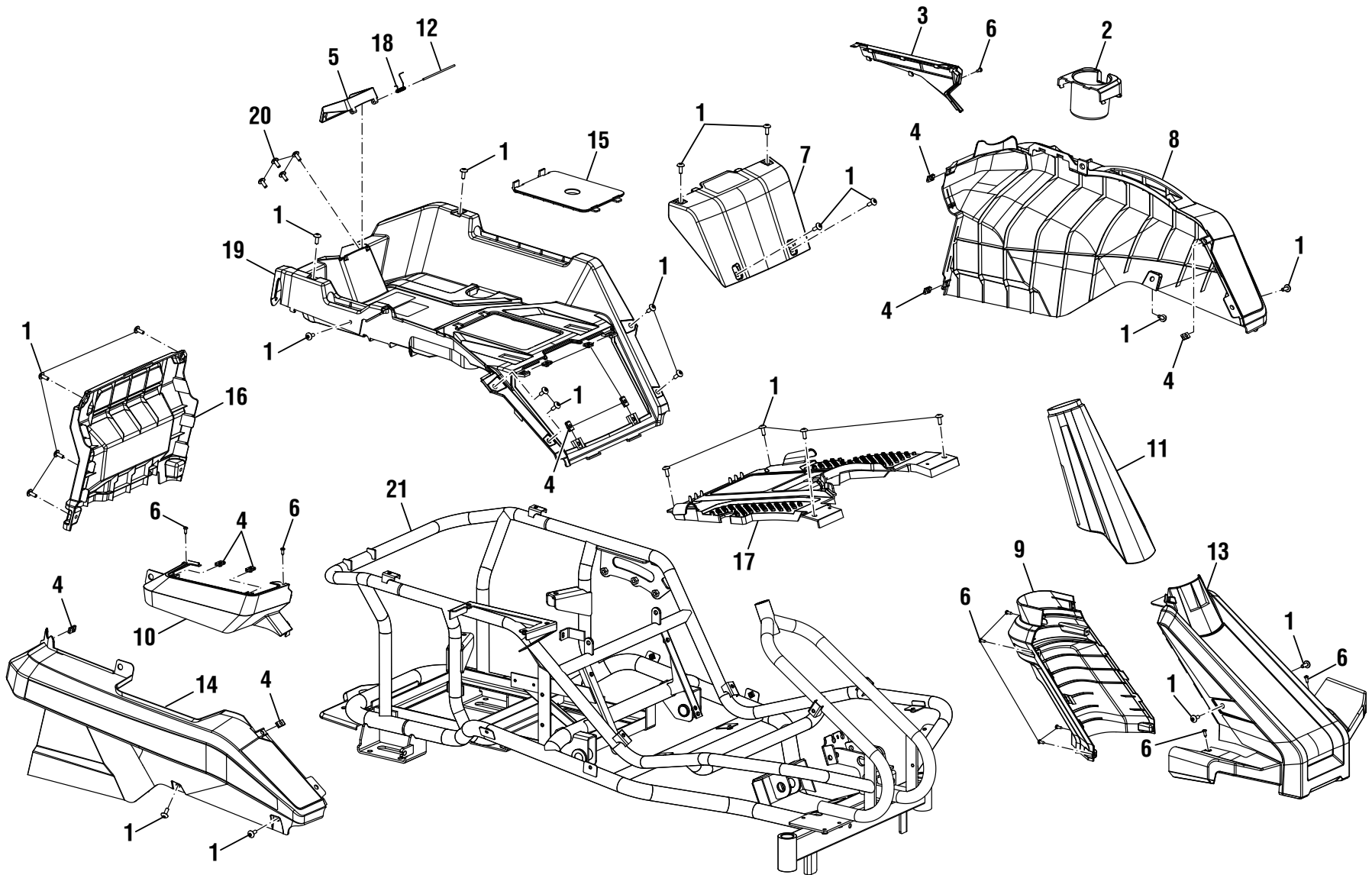
KEY NO.	PART NUMBER	DESCRIPTION	QTY
1	994867001	Flange Nut (M8) .....	4
2	997143001	Acorn Nut (M14).....	8
3	996029001	Wheel Hub Cover.....	2
4	997371001	Flange Bolt (M8 x 25 mm, Hex Hd.).....	4
5	997291001	Drive Motor Gasket.....	1
6	997387001	Screw (M6 x 65 mm, Hex Hd.).....	1

KEY NO.	PART NUMBER	DESCRIPTION	QTY
7	997389001	Screw (M6 x 25 mm, Hex Hd.).....	2
8	997290001	Rear Axle Assembly.....	1
9	997292001	Drive Motor .....	1
10	997388001	Screw (M6 x 20 mm, Hex Hd.).....	2
11	996220001	Rear Wheel Assembly.....	2



FIGURE E

PLASTIC ASSEMBLY



## 30 IN. RIDING LAWN MOWER – MODEL NOS. RY48130/RY48131

The model number will be found on a label under the seat. Always mention the model number in all correspondence regarding your **LAWN MOWER** or when ordering replacement parts.

### FIGURE E

#### PLASTIC ASSEMBLY

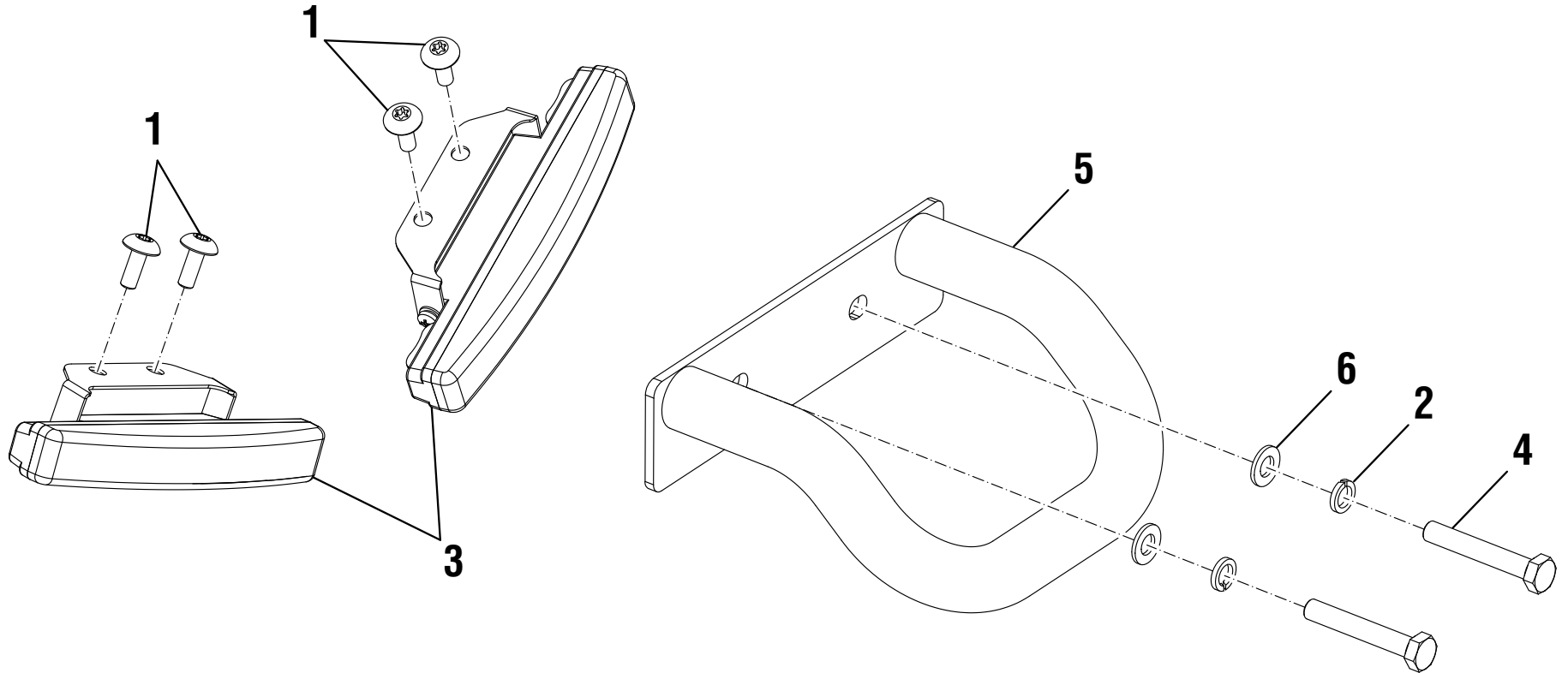
KEY NO.	PART NUMBER	DESCRIPTION	QTY
1	994989001	Screw (M6 x 16 mm, Torx Pan Hd.) .....	26
2	997230001	Cup Holder.....	1
3	997223001	Rear Console Panel .....	1
4	994785001	Clip-On Nut (M6).....	12
5	997220001	Charging Port Door.....	1
6	996291001	Screw (M4.2 x 13 mm).....	9
7	997216001	Front Access Panel .....	1
8	997217001	Left Trim Cover .....	1
9	997226001	Rear Steering Column Cover.....	1
10	997222001	Front Console Panel .....	1
11	997224001	Upper Steering Column Cover .....	1
12	997069001	Hinge Pin .....	1
13	997225001	Front Steering Column Cover .....	1
14	997218001	Right Trim Cover .....	1
15	997221001	Top Access Panel .....	1
16	997215001	Rear Trim Cover .....	1
17	997219001	Floor Panel.....	1
18	997075001	Spring .....	1
19	997214001	Center Trim Cover.....	1
20	997382001	Screw (M6.3 x 19 mm, Pan Hd.).....	4
21	997232001	Frame.....	1

## 30 IN. RIDING LAWN MOWER – MODEL NOS. RY48130/RY48131

The model number will be found on a label under the seat. Always mention the model number in all correspondence regarding your **LAWN MOWER** or when ordering replacement parts.

**FIGURE F**

### FRONT ATTACHMENTS

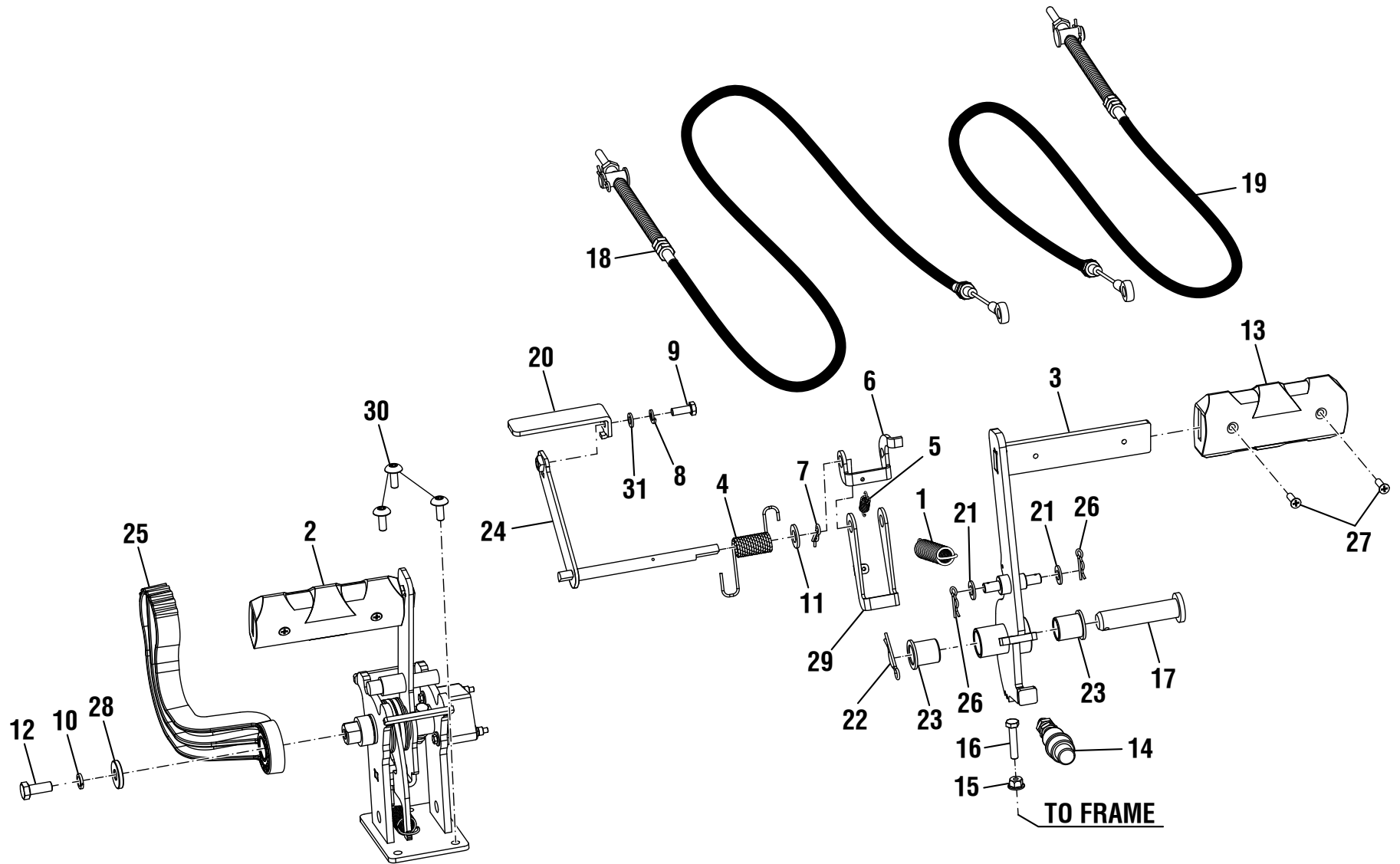


KEY NO.	PART NUMBER	DESCRIPTION	QTY
1	994989001	Screw (M6 x 16 mm, Torx Pan Hd.)	4
2	994770001	Lock Washer (M8)	2
3	994957001	Light Assembly	2

KEY NO.	PART NUMBER	DESCRIPTION	QTY
4	997383001	Bolt (M8 x 50 mm, Hex Hd.)	2
5	997285001	Front Bumper	1
6	994771001	Washer (M8)	2

FIGURE G

DRIVE CONTROL ASSEMBLY PARTS LIST



## 30 IN. RIDING LAWN MOWER – MODEL NOS. RY48130/RY48131

The model number will be found on a label under the seat. Always mention the model number in all correspondence regarding your **LAWN MOWER** or when ordering replacement parts.

### FIGURE G

### DRIVE CONTROL ASSEMBLY PARTS LIST

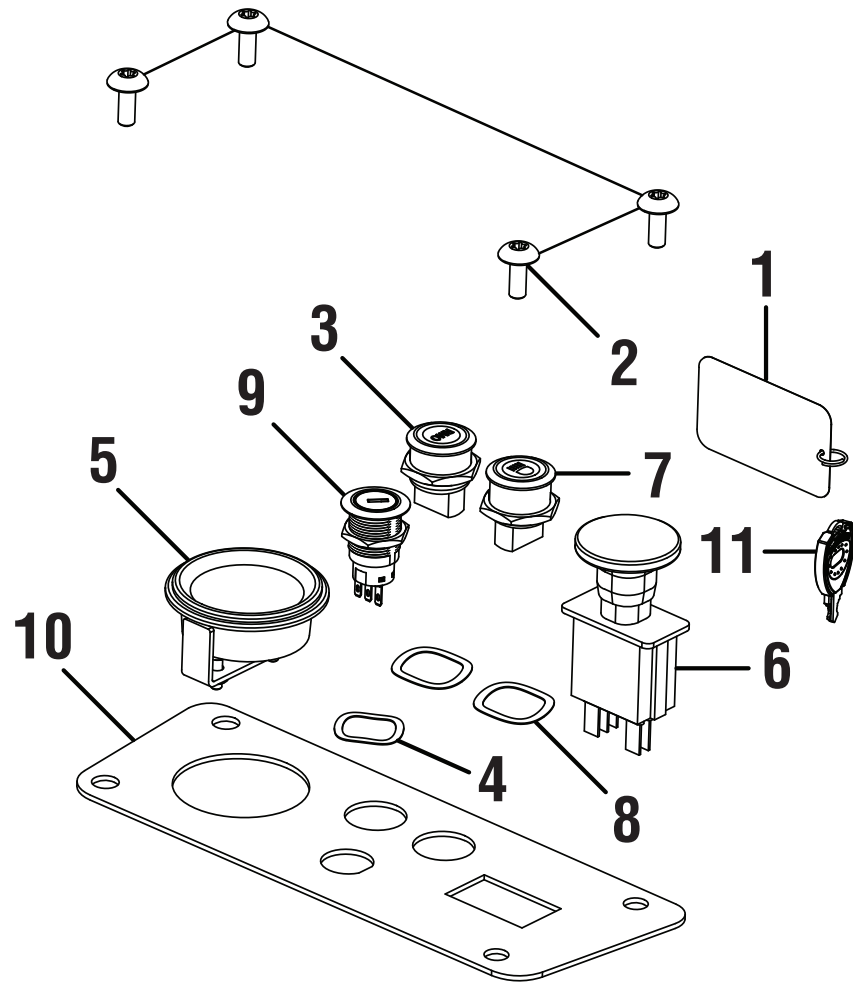
KEY NO.	PART NUMBER	DESCRIPTION	QTY	KEY NO.	PART NUMBER	DESCRIPTION	QTY
1	994838001	Spring (Acceleration Pedal).....	1	17	994929001	Axle Pin.....	1
2	997331001	Drive Assembly .....	1	18	997280001	Brake Cable (Right).....	1
3	997281001	Brake Pedal Lever.....	1	19	997279001	Brake Cable (Left) .....	1
4	997328001	Return Spring.....	1	20	997330001	Parking Brake Pedal .....	1
5	997358001	Spring (Parking Brake) .....	1	21	994771001	Washer (M8).....	2
6	997282001	Limiter .....	1	22	994930001	Cotter Pin.....	1
7	996264001	Lock Pin .....	1	23	994928001	Bushing.....	2
8	996058001	Spring Washer (M6) .....	1	24	997329001	Parking Brake Lever.....	1
9	996282001	Bolt (M6 x 16 mm, Hex Hd.) .....	1	25	997343001	Reverse Pedal.....	1
10	994770001	Lock Washer (M8) .....	1	26	996013001	Cotter Pin.....	2
11	994996001	Washer (M10).....	1	27	994937001	Screw (M6 x 13 mm).....	2
12	997374001	Bolt (M8 x 20 mm, Hex Hd.) .....	1	28	994954001	Washer .....	1
13	994931001	Brake Pedal .....	1	29	997404001	Parking Brake Latch .....	1
14	994837001	Brake Switch.....	1	30	994989001	Screw (M6 x 16 mm, Torx Pan Hd.) .....	3
15	994792001	Flange Nut (M6) .....	1	31	996281001	Flat Washer (OD12 x ID6.4 x 1.6t).....	1
16	997376001	Bolt (M6 x 30 mm, Hex Hd.) .....	1				

## 30 IN. RIDING LAWN MOWER – MODEL NOS. RY48130/RY48131

The model number will be found on a label under the seat. Always mention the model number in all correspondence regarding your **LAWN MOWER** or when ordering replacement parts.

**FIGURE H**

### CONTROL PANEL ASSEMBLY



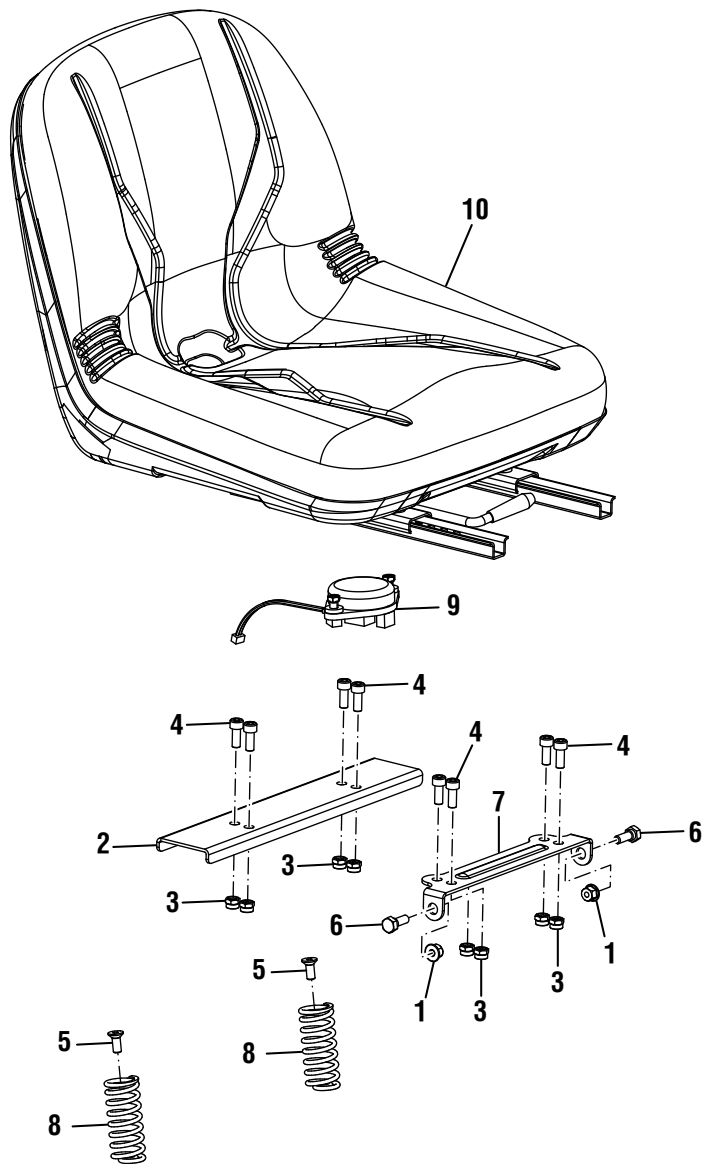
KEY PART NO. NUMBER	DESCRIPTION	QTY
1 996288001	Warning Tag .....	1
2 994989001	Screw (M6 x 16 mm, Torx Pan Hd.) .....	4
3 994967001	Reverse Mow Operation (RMO) Button .....	1
4 996362001	Spring Washer 3 .....	1
5 997347001	Gauge Module .....	1
6 997345001	Power Take Off (PTO) Button.....	1
7 994966001	Light Switch Button .....	1
8 996361001	Spring Washer 2 .....	2
9 997346001	Key Module.....	1
10 997344001	Control Panel Face Plate .....	1
11 996049001	Key.....	1

## 30 IN. RIDING LAWN MOWER – MODEL NOS. RY48130/RY48131

The model number will be found on a label under the seat. Always mention the model number in all correspondence regarding your **LAWN MOWER** or when ordering replacement parts.

**FIGURE I**

### SEAT AND SEAT SPRINGS



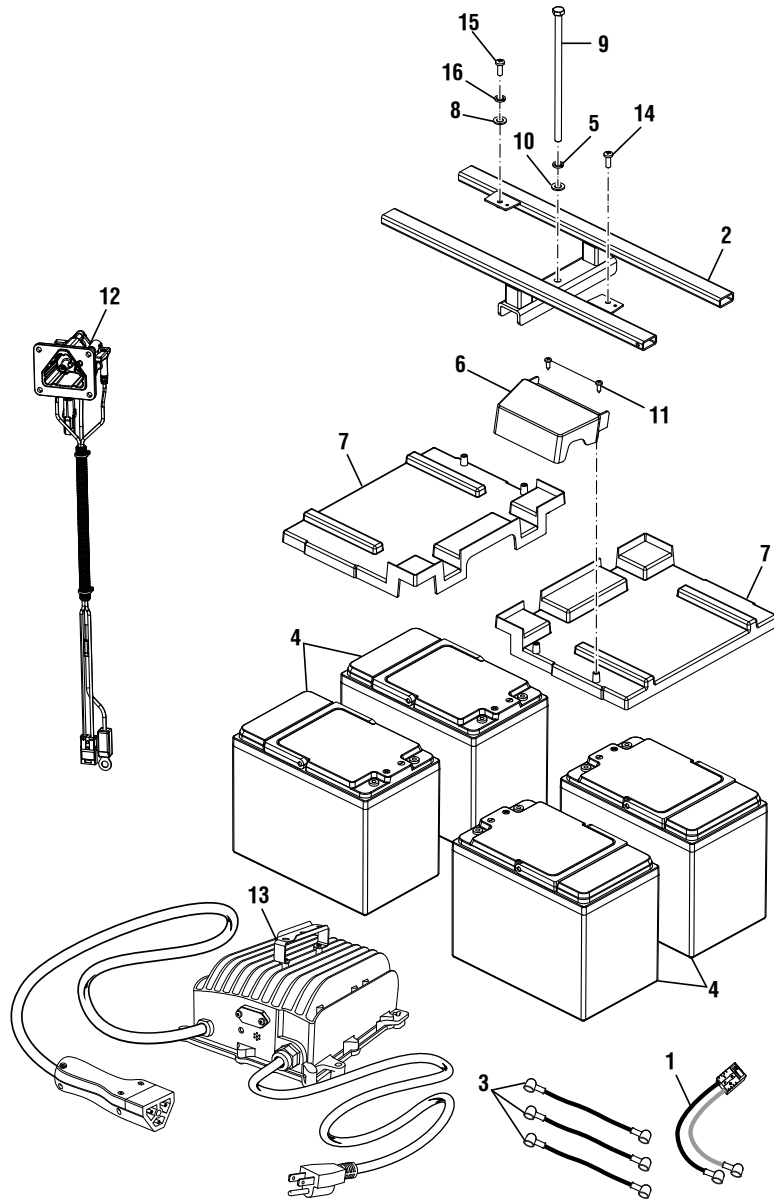
KEY NO.	PART NUMBER	DESCRIPTION	QTY
1	994867001	Flange Nut (M8) .....	2
2	996276001	Seat Base Plate (Rear) .....	1
3	996525001	Lock Nut (M8) .....	8
4	996302001	Screw (M8 x 16 mm) .....	8
5	997368001	Screw (M8 x 20 mm, Hex Soc. Hd.) .....	2
6	994849001	Shoulder Bolt (M8 x 20 mm, Hex Hd.) .....	2
7	996275001	Seat Base Plate .....	1
8	997073001	Seat Spring .....	2
9	996277001	Seat Switch .....	1
10	997213001	Seat .....	1

## 30 IN. RIDING LAWN MOWER – MODEL NOS. RY48130/RY48131

The model number will be found on a label under the seat. Always mention the model number in all correspondence regarding your **LAWN MOWER** or when ordering replacement parts.

**FIGURE J**

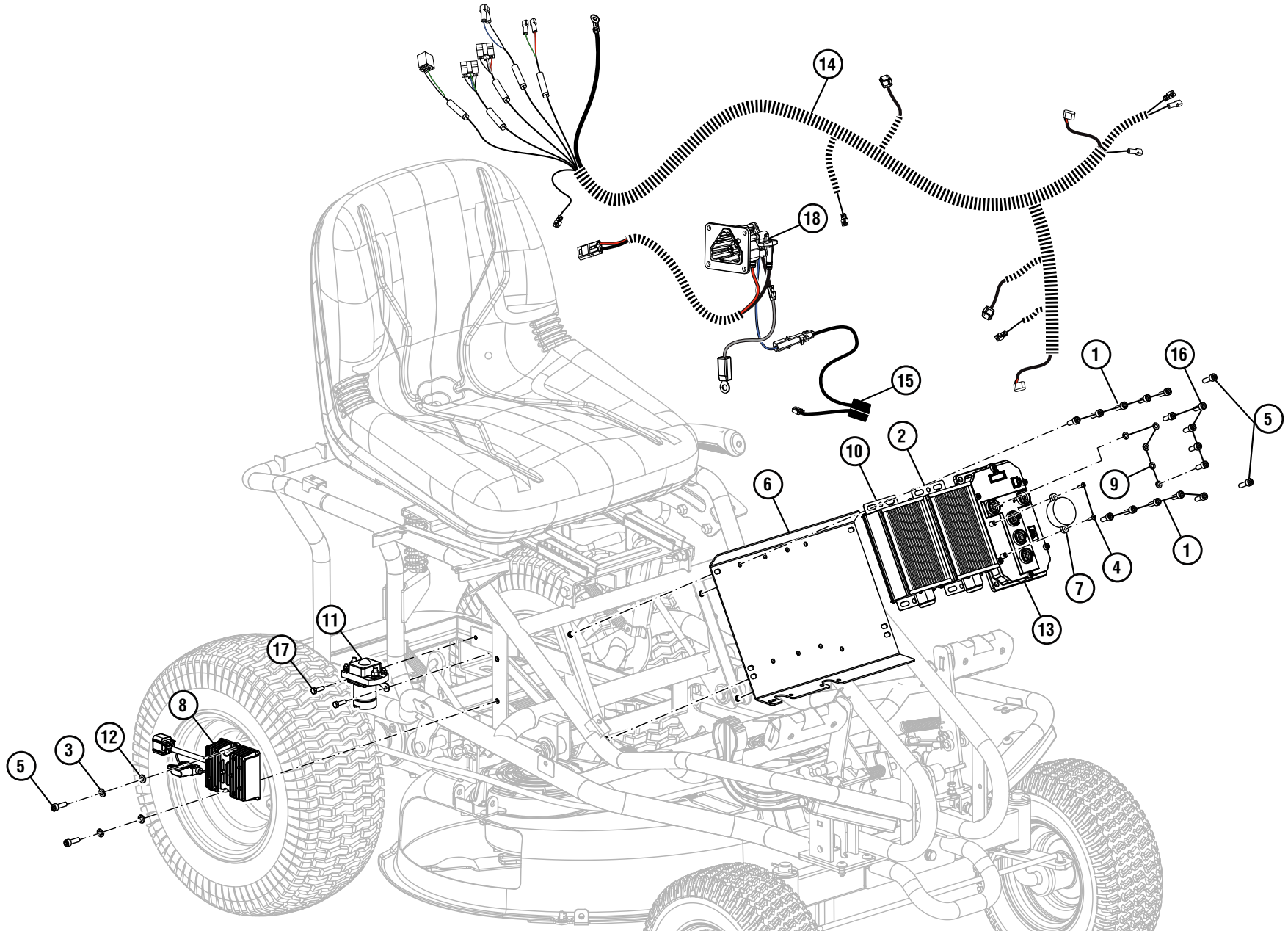
### BATTERY AND CHARGER ASSEMBLY



KEY NO.	PART NUMBER	DESCRIPTION	QTY
1	997289001	Battery Cable 2 .....	1
2	997286001	Battery Tie Down .....	1
3	997288001	Battery Cable 1 .....	3
4	997233001	Battery .....	4
5	994770001	Lock Washer (M8) .....	1
6	997357001	Main Relay Cover.....	2
7	997231001	Battery Cover.....	2
8	996035001	Flat Washer (M3).....	1
9	997370001	Bolt (M8 x 180 mm, Hex Hd.) .....	1
10	994771001	Washer (M8).....	1
11	996291001	Screw (M4.2 x 13 mm).....	2
12	996515001	Charger Receptacle with Thermistor .....	1
13	996514001	American Standard Charger .....	1
14	996213001	Screw (M5 x 16 mm, Pan Hd.).....	1
15	997381001	Screw (M3 x 20).....	1
16	996055001	Spring Washer (M3) .....	1



FIGURE K



## 30 IN. RIDING LAWN MOWER – MODEL NOS. RY48130/RY48131

The model number will be found on a label under the seat. Always mention the model number in all correspondence regarding your **LAWN MOWER** or when ordering replacement parts.

### FIGURE K

### ELECTRICAL ASSEMBLY

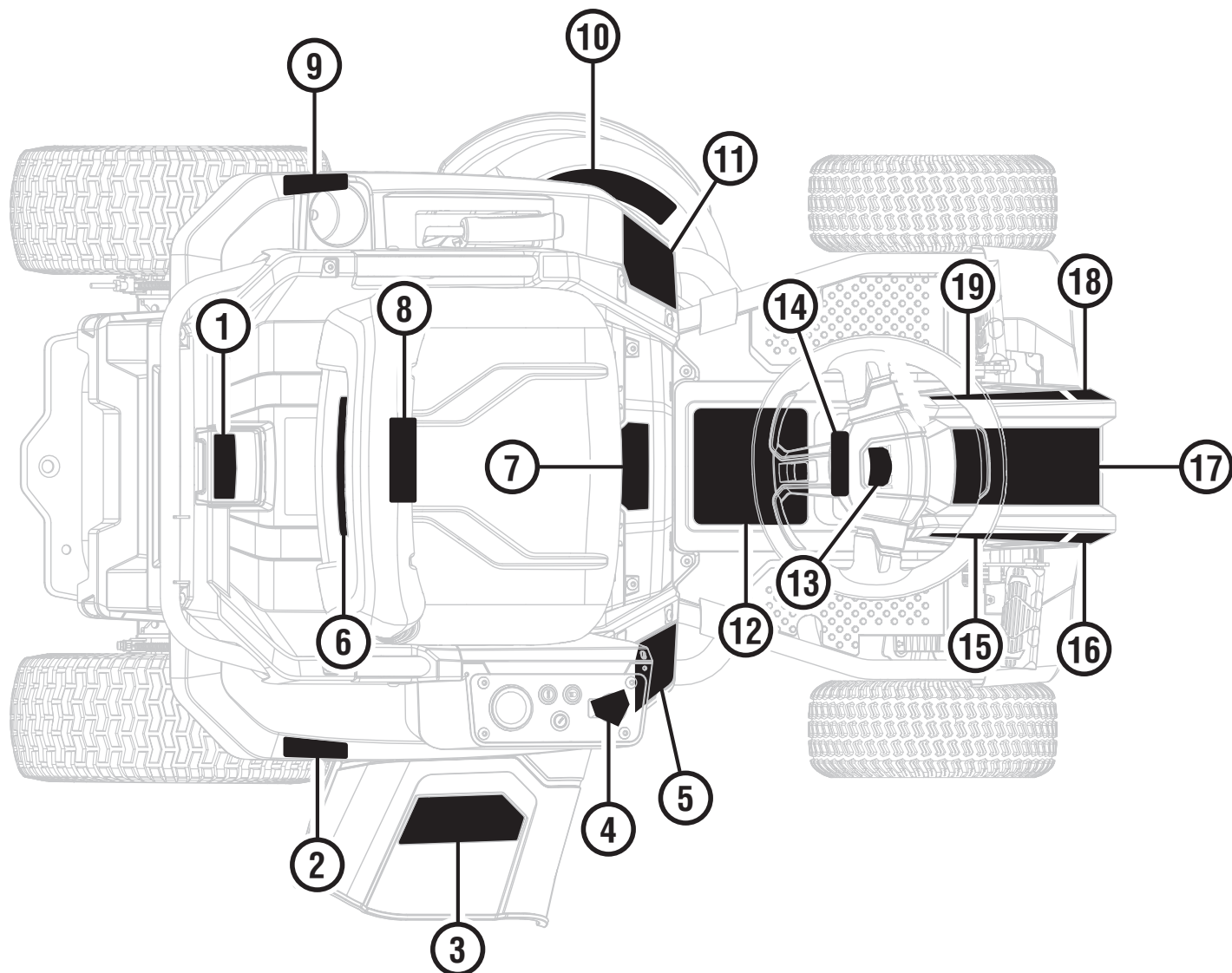
KEY NO.	PART NUMBER	DESCRIPTION	QTY
1	997098001	Screw (M6 x 16 mm).....	10
2	997350001	Slave Deck Motor Controller.....	1
3	996058001	Spring Washer (M6) .....	2
4	997094001	Screw (M3 x 12 mm, Pan Hd.).....	2
5	997148001	Screw (M6 x 20 mm).....	4
6	997352001	Controller Mounting Plate.....	1
7	996290001	Beeper .....	1
8	997077001	DC to DC Converter.....	1
9	996295001	Flat Washer (OD12 x ID5.3 x 1t).....	5
10	997349001	Master Deck Motor Controller .....	1
11	997348001	Main Relay .....	1
12	996281001	Flat Washer (OD12 x ID6.4 x 1.6t).....	2
13	997351001	Drive Motor Controller .....	1
14	997353001	Main Wiring Harness.....	1
15	997103001	Charging Controller.....	1
16	997385001	Bolt (Hex Hd.).....	5
17	997378001	Screw (M4 x 12 mm, Cap Hd.).....	2
18	996515001	Charger Receptacle with Thermistor .....	1

## 30 IN. RIDING LAWN MOWER – MODEL NOS. RY48130/RY48131

The model number will be found on a label under the seat. Always mention the model number in all correspondence regarding your **LAWN MOWER** or when ordering replacement parts.

FIGURE L

LABELS



## 30 IN. RIDING LAWN MOWER – MODEL NOS. RY48130/RY48131

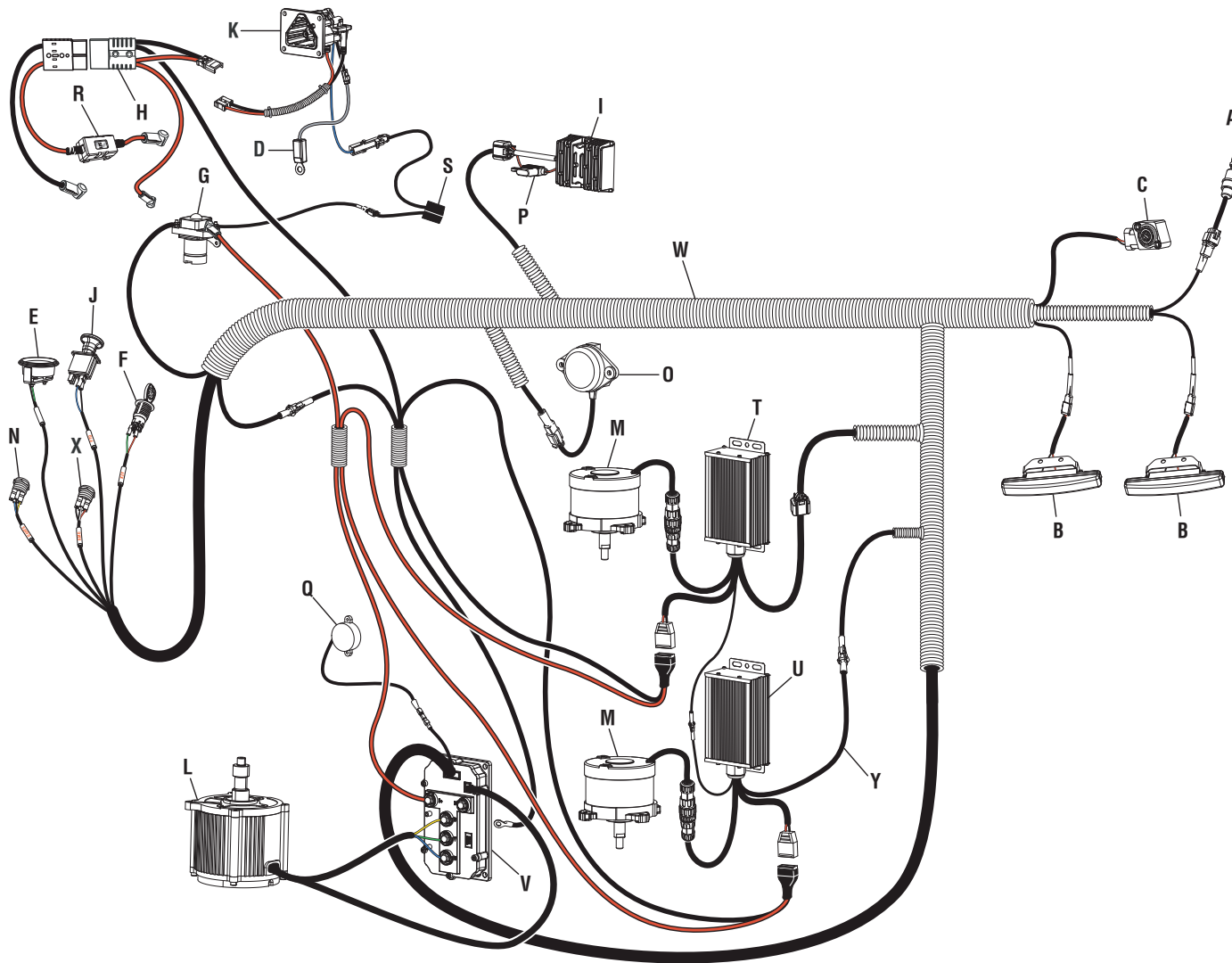
The model number will be found on a label under the seat. Always mention the model number in all correspondence regarding your **LAWN MOWER** or when ordering replacement parts.

### FIGURE L

### LABELS

KEY NO.	PART NUMBER	DESCRIPTION	QTY	KEY NO.	PART NUMBER	DESCRIPTION	QTY
1	099749020025	Charging Port Label (Eng).....	1	11	099749020006	Subbrand Logo Label .....	1
	099749020026	Charging Port Label (Sp).....	1	12	099749020001	Warning Label (Eng).....	1
2	099749020027	Logo Label (Right).....	1		099749020002	Warning Label (Sp).....	1
3	099749020004	Discharge Chute Warnings Label (Eng) .....	1	13	099749020013	Warning Instructions Label (Eng) .....	1
	099749020005	Discharge Chute Warnings Label (Sp) .....	1		099749020014	Warning Instructions Label (Sp).....	1
4	940851219	Cut Finger Label (Eng) .....	1	14	940851582	Parking Brake Pedal Label.....	1
	940641226	Cut Finger Label (Sp) .....	1	15	099749020016	Right Side Stripe (Upper) .....	1
5	099749020007	Subbrand Logo Label (Right).....	1	16	099749020017	Right Side Stripe (Lower) .....	1
6	099749020029	Logo Label (Rear Seat) .....	1	17	099749020018	Logo Label (Front).....	1
7	099749020008	Blade Engagement Label (Eng).....	1	18	099749020021	Left Side Stripe (Lower) .....	1
	099749020009	Blade Engagement Label (Sp) .....	1	19	099749020020	Left Side Stripe (Upper) .....	1
8	099749020022	Data Label.....	1				
9	099749020028	Logo Label (Left) .....	1		<b>NOT SHOWN</b>		
10	099749020010	Deck Warning Label (Eng).....	1		940851220	Key Chain Label (Eng).....	1
	099749020011	Deck Warning Label (Sp) .....	1		940851221	Key Chain Label (Sp) .....	1

30 IN. RIDING LAWN MOWER – MODEL NOS. RY48130/RY48131



- A Brake Switch
- B Headlights
- C Accelerator
- D Temperature Sensor
- E Battery Gauge
- F Switch w/Key
- G Relay
- H Battery Connector
- I 12 Volt Power Converter
- J Blade PTO
- K Charger Port
- L Drive Motor
- M Deck Motor
- N Headlight Switch
- O Seat Switch
- P 2 Amp Fuse
- Q Beeper
- R 100 Amp Fuse
- S Charger Lockout Circuit
- T Master Deck Motor Controller
- U Slave Deck Motor Controller
- V Drive Motor Controller
- W Main Wiring Harness
- X Reverse Mow Operation Button
- Y +48V Controller Power Wire

WIRING DIAGRAM