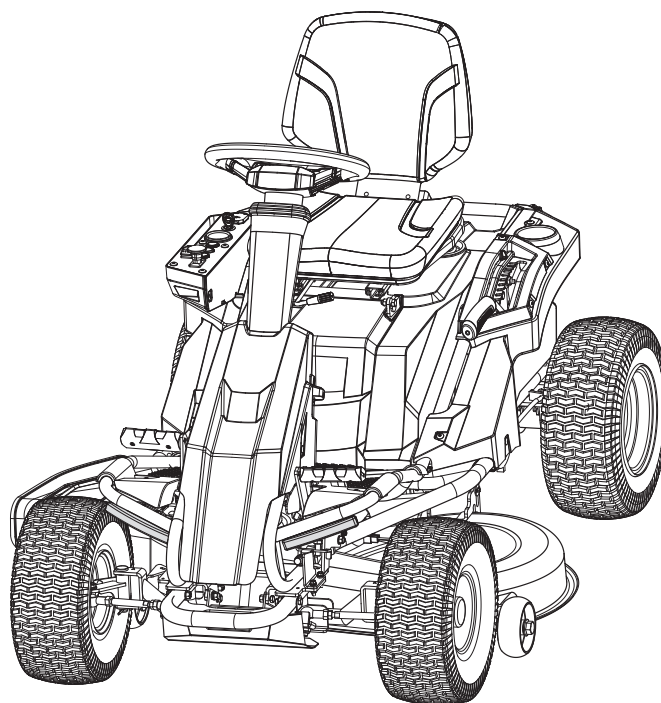


# REPLACEMENT PARTS LIST

BRAND		DESCRIPTION
<b>RYOBI</b>		
MODEL NO.	MFG. NO.	
<b>RY48110</b>	<b>099749009</b>	<b>48 Volt 38 in. Riding Lawn Mower</b>
<b>RY48111</b>	<b>099749010</b>	
<b>RY48112</b>	<b>099749011</b>	

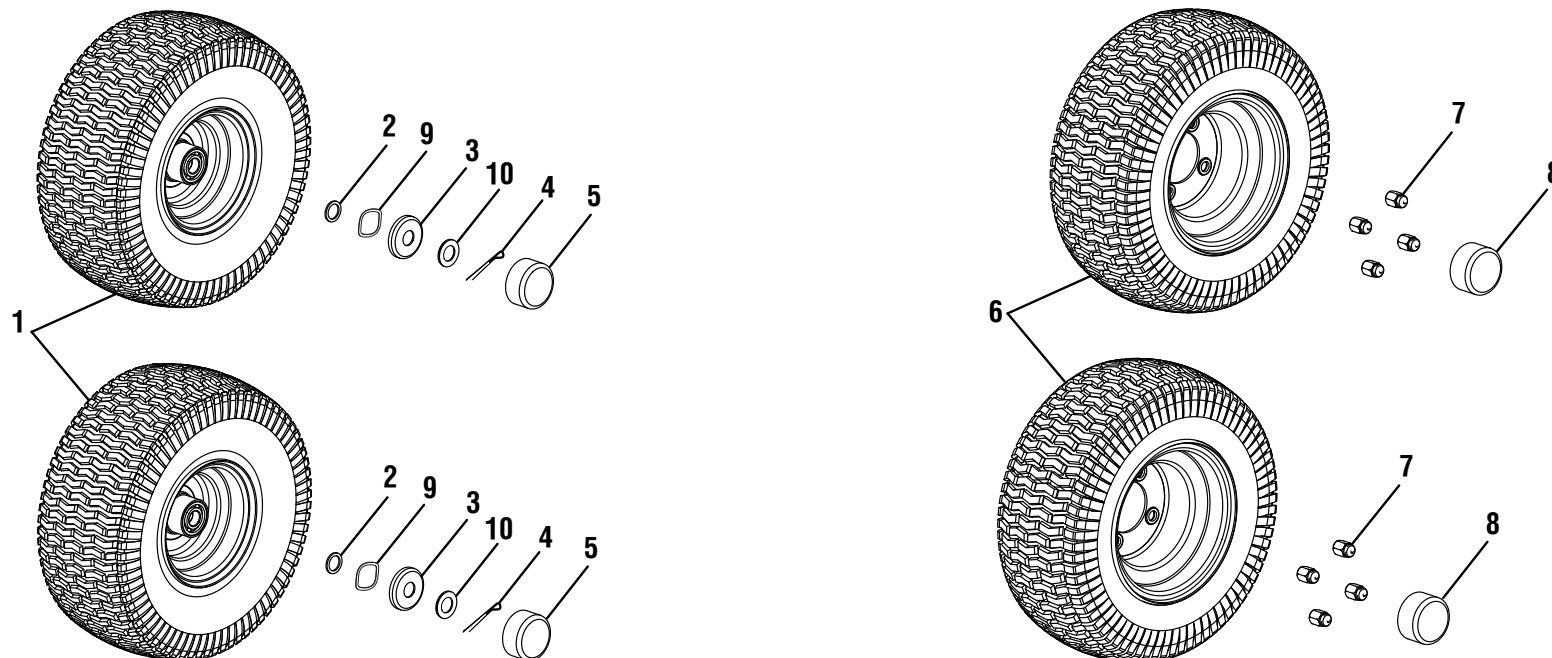


## TECHTRONIC INDUSTRIES POWER EQUIPMENT

P.O. Box 1288, Anderson, SC 29622 ■ 1-800-525-2579 ■ [www.ryobitools.com](http://www.ryobitools.com)

99500548  
5-10-21 (Rev:02)

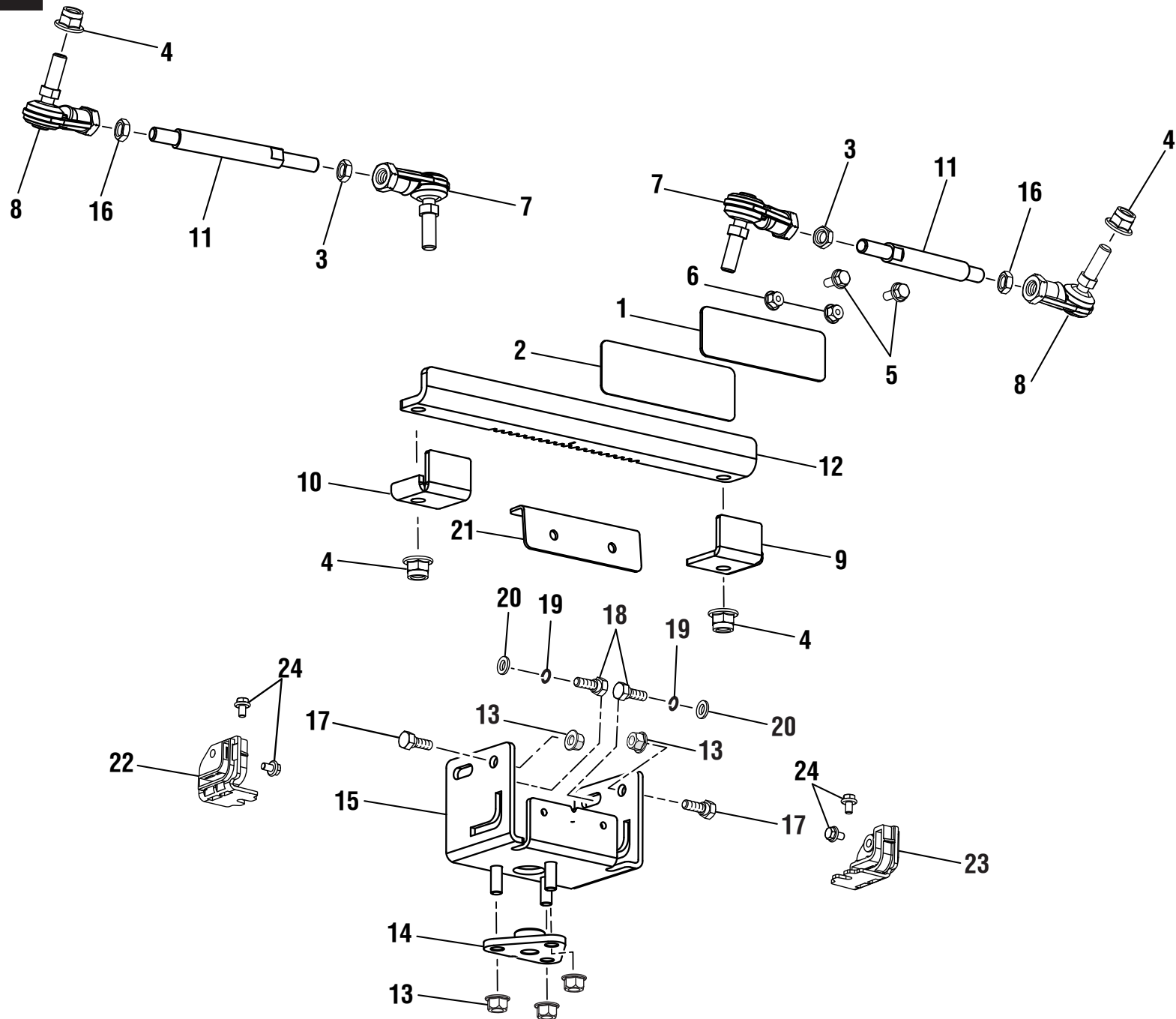
*The model number and manufacturing location will be found on a label attached to the product. Always mention this information in all communications regarding this product and when ordering parts.*



PARTS LIST — FIGURE A

KEY NO.	PART NO.	DESCRIPTION	QTY.
1	994871001	Front Wheel Assembly	2
2	994842001	Washer (OD28 x ID20.5 x 2t)	2
3	994857001	Front Wheel Bearing Cover	2
4	994768001	Cotter Pin (4 x 40 mm)	2
5	996033001	Dust Cover, Front Wheel	2
6	996220001	Rear Wheel Assembly	2

KEY NO.	PART NO.	DESCRIPTION	QTY.
7	996229001	Acorn Nut (M14)	8
8	996029001	Wheel Hub Cover	2
9	996362001	Wavy Washer	2
10	994766001	Washer (OD37 x ID21 x 0.3t)	2
	<b>Not Shown:</b>		
	995000004	Operator's Manual	



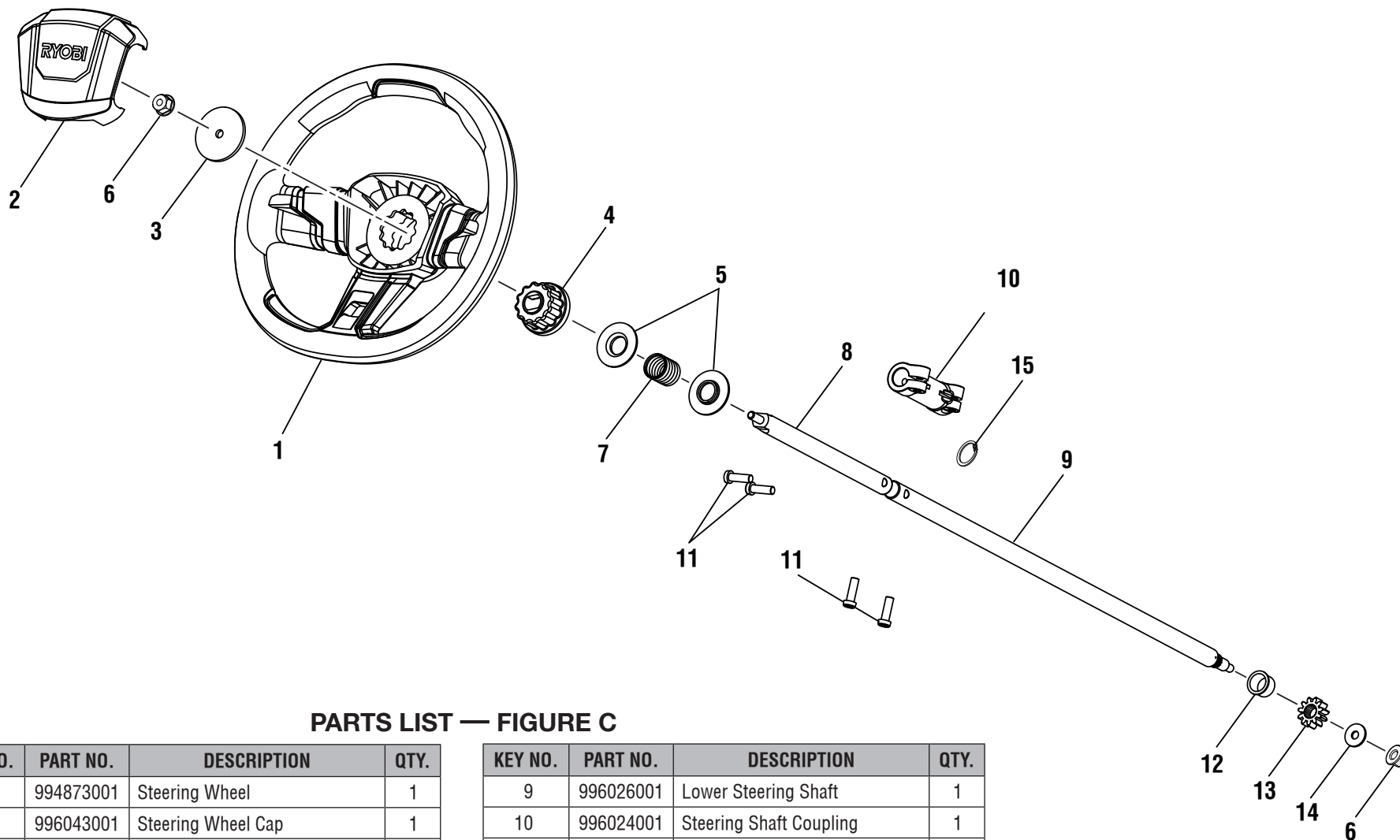


# RY48110/RY48111/RY48112

## PARTS LIST — FIGURE B

KEY NO.	PART NO.	DESCRIPTION	QTY.
1	996503001	Steel Pad	1
2	996502001	Shim Steering Rack	1
3	994836001	Nut (M10)	2
4	996249001	Flange Lock Nut (M10 x 1.25 mm)	4
5	996247001	Flange Bolt (M6 x 14 mm, Hex Hd.)	2
6	994792001	Flange Nut (M6)	2
7	996245001	Rod End	2
8	996246001	Rod End 2	2
9	996222001	Left Rack Limiter	1
10	996223001	Right Rack Limiter	1
11	994866001	Tie Rod	2
12	996221001	Steering Rack	1

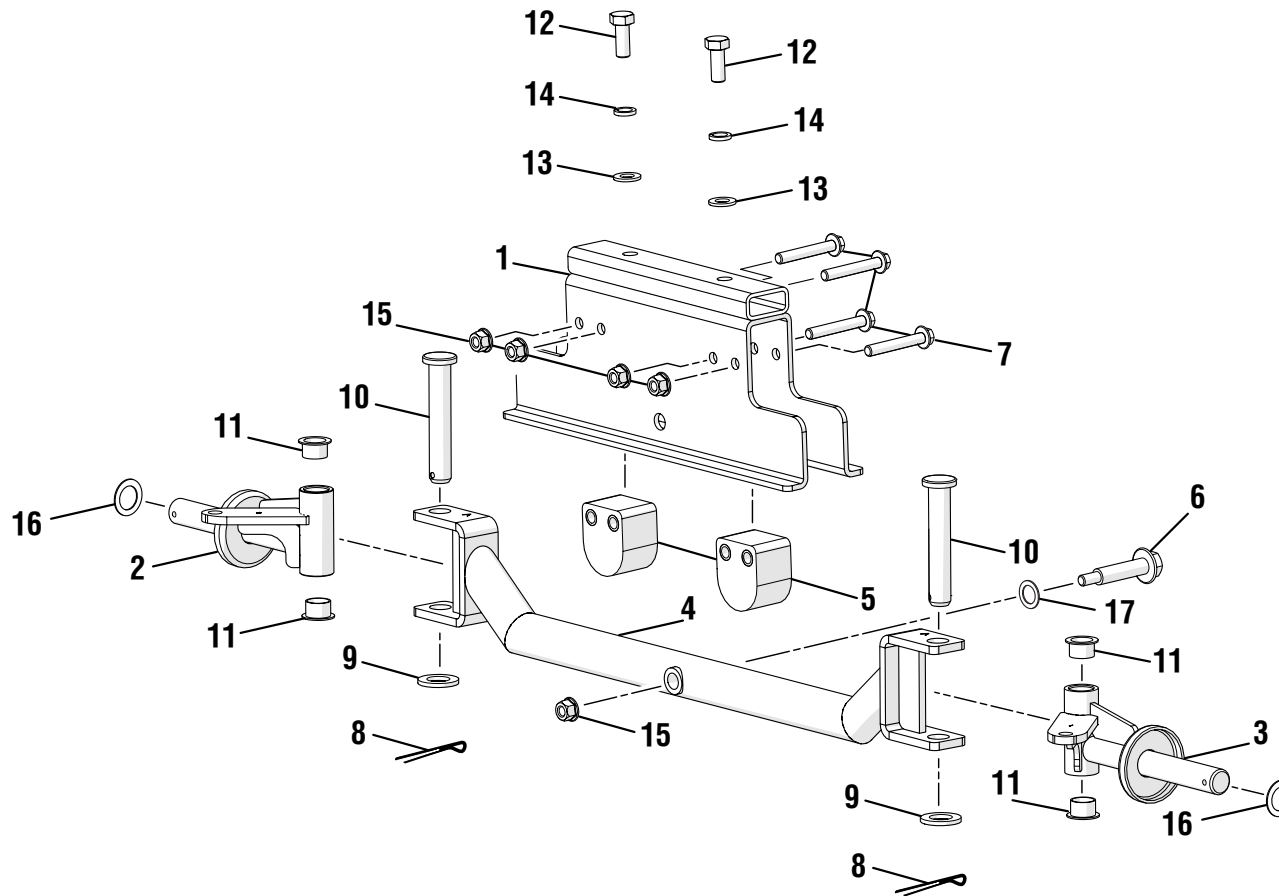
KEY NO.	PART NO.	DESCRIPTION	QTY.
13	994867001	Flange Nut (M8)	5
14	994863001	Steering Shaft Seat	1
15	996501001	Seat Bracket	1
16	996343001	Hex Nut (M10 x 1.25 mm, Left Hand)	2
17	996255001	Hex Bolt (M8 x 25 mm)	2
18	996046001	Bolt (M8 x 25 mm, Hex Hd.)	2
19	994770001	Lock Washer (M8)	2
20	994771001	Washer (M8)	2
21	996354001	Rack Shim Limiter	1
22	996504001	Rack Bushing (Right)	1
23	996505001	Rack Bushing (Left)	1
24	996520001	Bolt (M5 x 8 mm, Hex Flange Hd.)	4



**PARTS LIST — FIGURE C**

KEY NO.	PART NO.	DESCRIPTION	QTY.
1	994873001	Steering Wheel	1
2	996043001	Steering Wheel Cap	1
3	994899001	Washer Plate	1
4	994898001	Spline Collar	1
5	996031001	Spring Seat	2
6	994867001	Flange Lock Nut (M8)	2
7	996032001	Steering Shaft Spring	1
8	996027001	Upper Steering Shaft	1

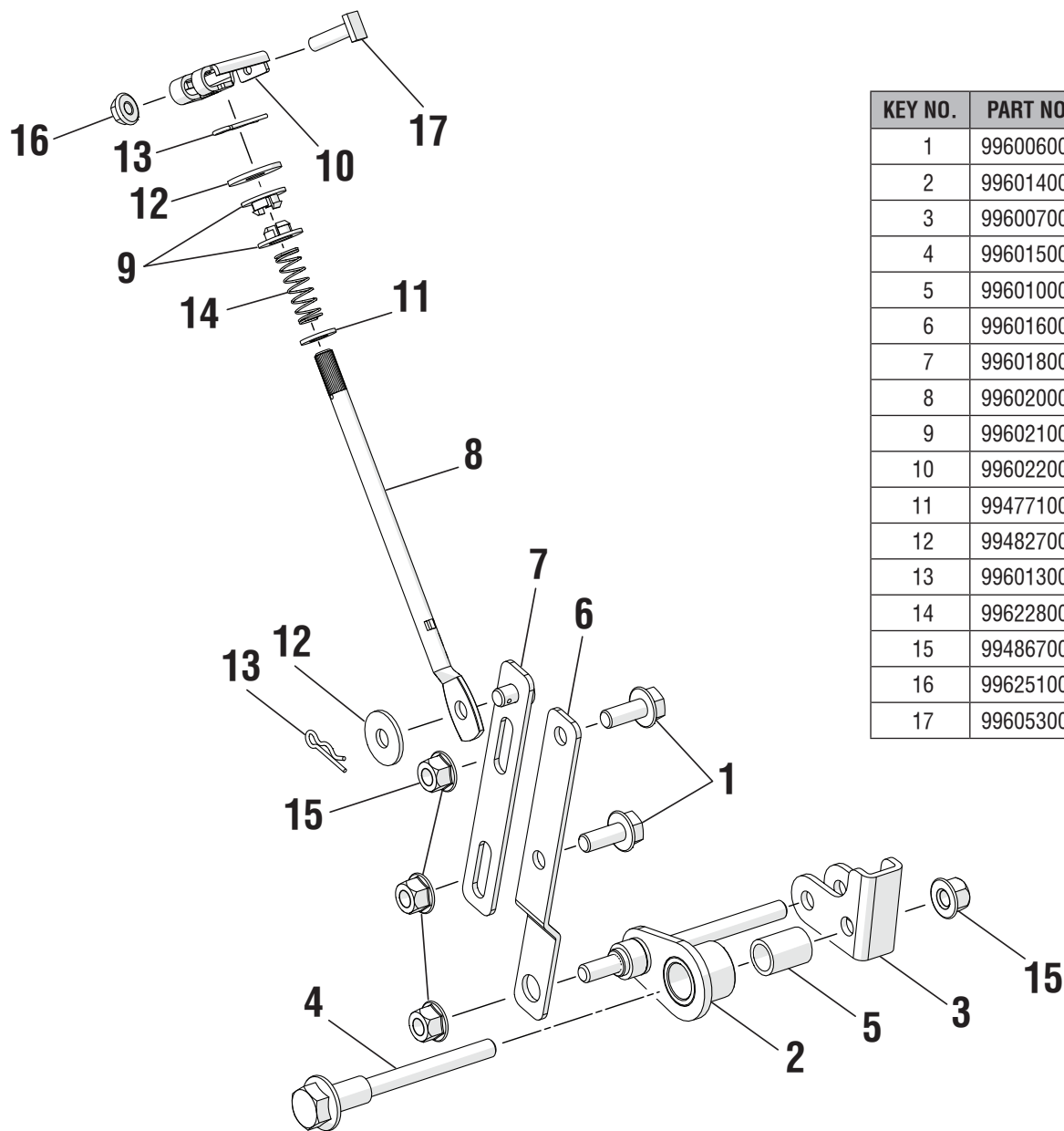
KEY NO.	PART NO.	DESCRIPTION	QTY.
9	996026001	Lower Steering Shaft	1
10	996024001	Steering Shaft Coupling	1
11	996025001	Screw (M8 x 25 mm, Soc. Hd.)	4
12	994860001	Flanged Bushing (19 x 22 x 15)	1
13	996225001	Steering Pinion Gear	1
14	994827001	Washer (OD24 x ID8.4 x 2t)	1
15	996359001	Retaining Ring	1



PARTS LIST — FIGURE D

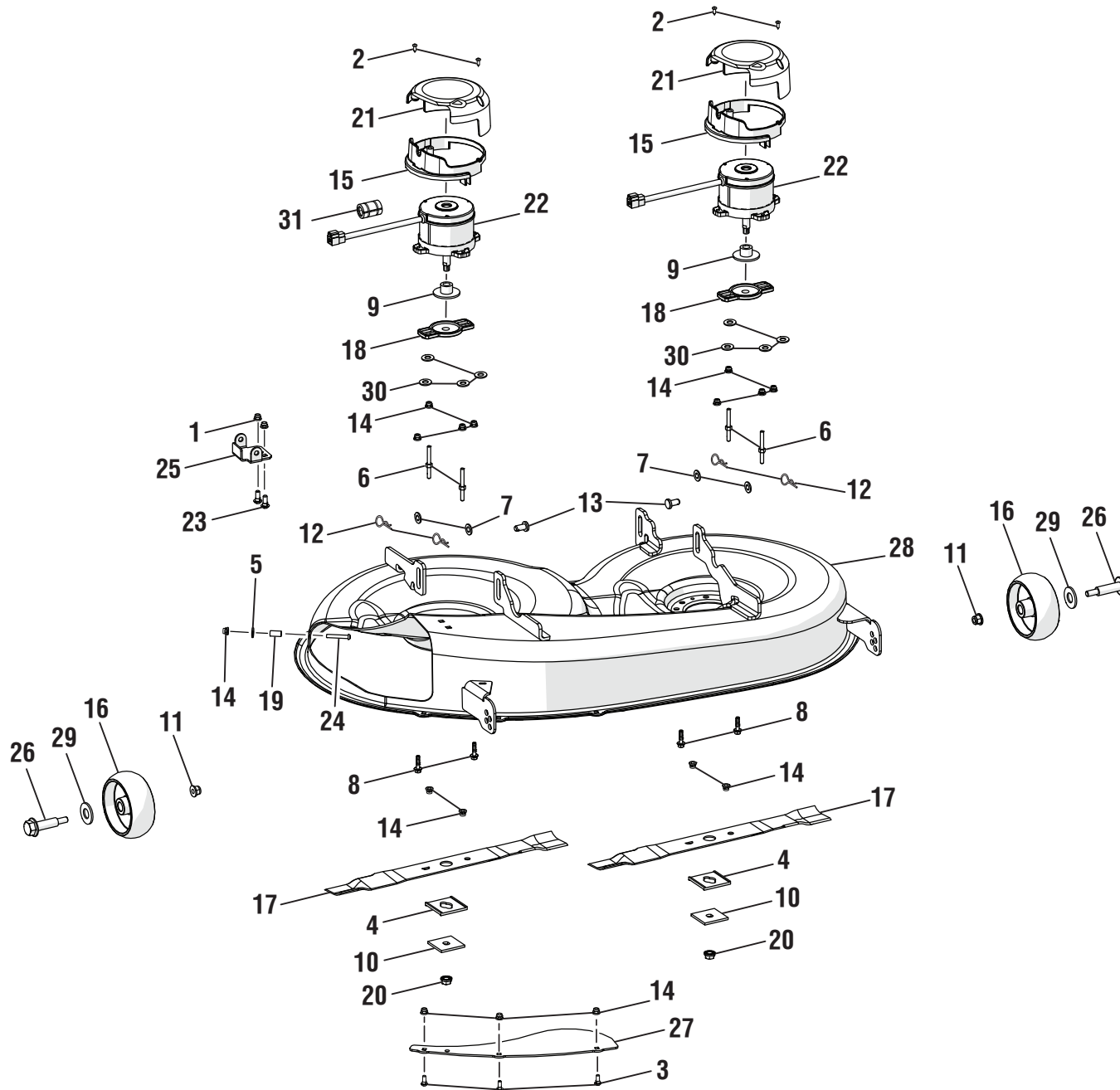
KEY NO.	PART NO.	DESCRIPTION	QTY.
1	994864001	Front Axle Channel Plate w/Brackets	1
2	994835001	Right Steering Knuckle	1
3	994834001	Left Steering Knuckle	1
4	994826001	Front Axle	1
5	996496001	Front Axle Rubber Bumper Assembly	2
6	994789001	Shoulder Bolt (M8 x 60 mm, Flange Hex Hd.)	1
7	996237001	Bolt (M8 x 55 mm, Flange Hex Hd.)	4
8	994768001	Cotter Pin (4 x 40)	2
9	994763001	Washer (OD30 x ID17 x 3t)	2

KEY NO.	PART NO.	DESCRIPTION	QTY.
10	994778001	Steering Knuckle Anchor	2
11	994865001	Steering Knuckle Bushing	4
12	996323001	Bolt (M10 x 45 mm, Hex Hd.)	2
13	994996001	Washer (OD20 x ID10.5 x 2t)	2
14	994998001	Lock Washer (M10)	2
15	994867001	Flange Nut (M8)	5
16	994842001	Washer (OD28 x ID20.5 x 2t)	2
17	994891001	Washer (OD24 x ID13 x 2.5t)	1



**PARTS LIST — FIGURE E**

KEY NO.	PART NO.	DESCRIPTION	QTY.
1	996006001	Flange Bolt (M8 x 20 mm, Hex Hd.)	2
2	996014001	Pivot Bracket	1
3	996007001	Limiter	1
4	996015001	Center Step Bolt	1
5	996010001	Nylon Sleeve	1
6	996016001	Lower Connecting Plate	1
7	996018001	Upper Connecting Plate Assembly	1
8	996020001	Upper Rod	1
9	996021001	Spring Capture Bushing, Nylon	2
10	996022001	Lever Bracket	1
11	994771001	Washer (OD16 x ID8.4 x 1.6t)	1
12	994827001	Washer (OD24 x ID8.4 x 2t)	2
13	996013001	Cotter Pin (8 mm)	2
14	996228001	Compression Spring	1
15	994867001	Flange Nut (M8)	4
16	996251001	Flange Nut (M6 )	1
17	996053001	Screw (M6 x 22 mm, Rectangle Hd.)	1





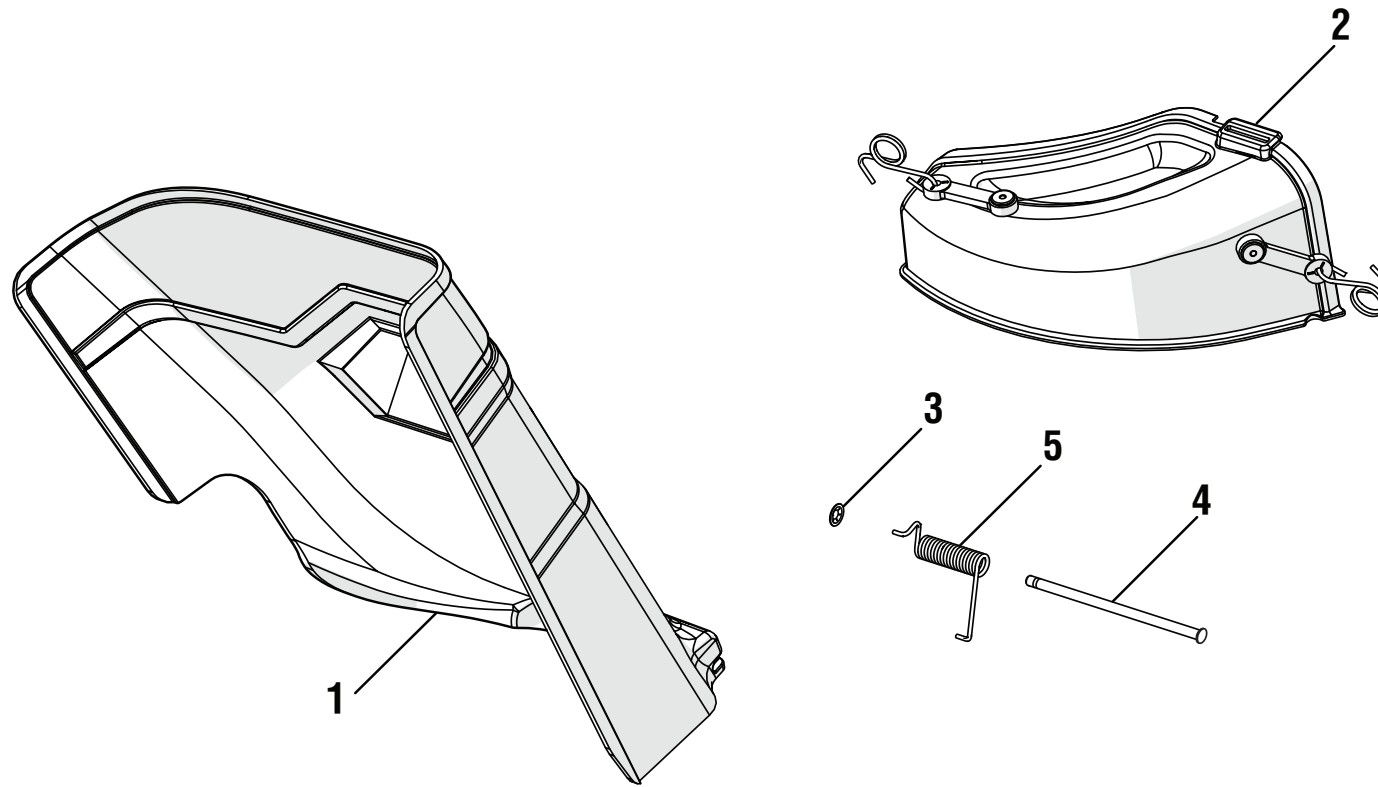


# RY48110/RY48111/RY48112

## PARTS LIST — FIGURE F

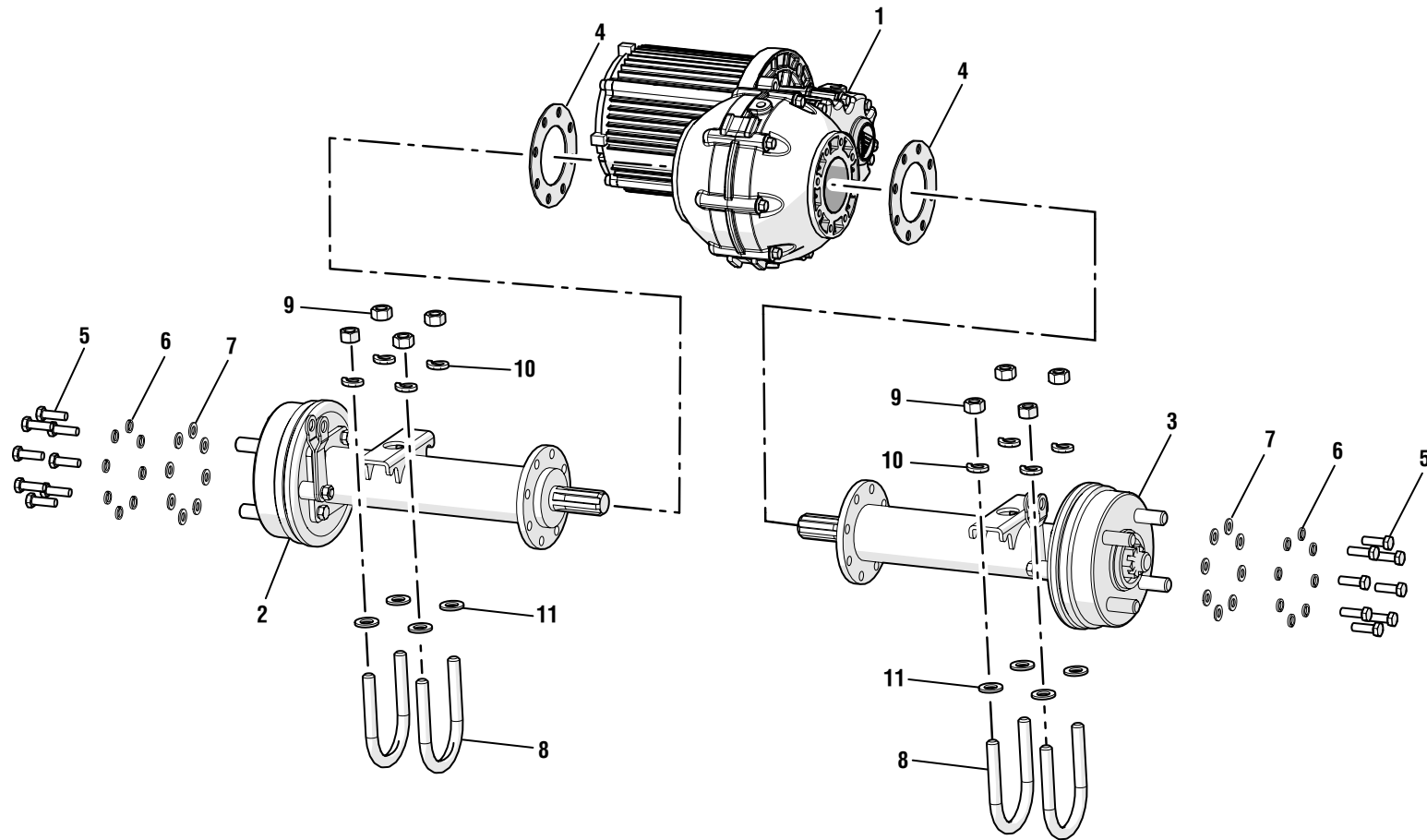
KEY NO.	PART NO.	DESCRIPTION	QTY.
1	994867001	Flange Nut (M8 x 1.25)	2
2	996291001	Screw (M4.2 x 13 mm)	4
3	994791001	Carriage Bolt (M6 x 16 mm)	3
4	996259001	Blade Spacer	2
5	996034001	Washer (OD18 x ID6.4 x 1.6t)	1
6	996201001	Threaded Stud (M6 x 35 mm)	4
7	994996001	Washer (OD20 x ID10.5 x 2t)	4
8	996057001	Flange Bolt (M6 x 25 mm, Hex Hd.)	4
9	996258001	Motor Axle Bushing	2
10	996257001	Metal Blade Retainer	2
11	996192001	Lock Nut (M10 x 1.5 mm)	2
12	996356001	Cotter Pin (10 mm)	4
13	996262001	Lifting Plate Pin	2
14	996251001	Flange Lock Nut (M6 x 1.00)	16
15	994903001	Motor Cover	2
16	996265001	Front Deck Roller Wheel (124.5 Dia.)	2

KEY NO.	PART NO.	DESCRIPTION	QTY.
17	996516001	Mulching Blade	2
18	996256001	Blade Holder	2
19	996039001	Deck Bagger Chute Mounting Shaft	1
20	996261001	Flange Lock Nut (M10 x 1.25)	2
21	994908001	Motor Cover Cap	2
22	996260001	Deck Motor	2
23	996050001	Carriage Bolt (M8 x 20 mm)	2
24	996250001	Screw (M6 x 40, Soc Hd.)	1
25	994904001	Mounting Mulch Door Bracket	1
26	996205001	Shoulder Bolt (M10 x 70 mm)	2
27	994868001	Butterfly Bracket	1
28	996235001	Mower Deck w/Brackets	1
29	996355001	Spring Washer (OD20.5 x ID17 x 0.3t)	2
30	996594001	Washer (OD18 x ID6.4 x 3t)	8
31	996561001	Magnetism Ring	1



**PARTS LIST — FIGURE G**

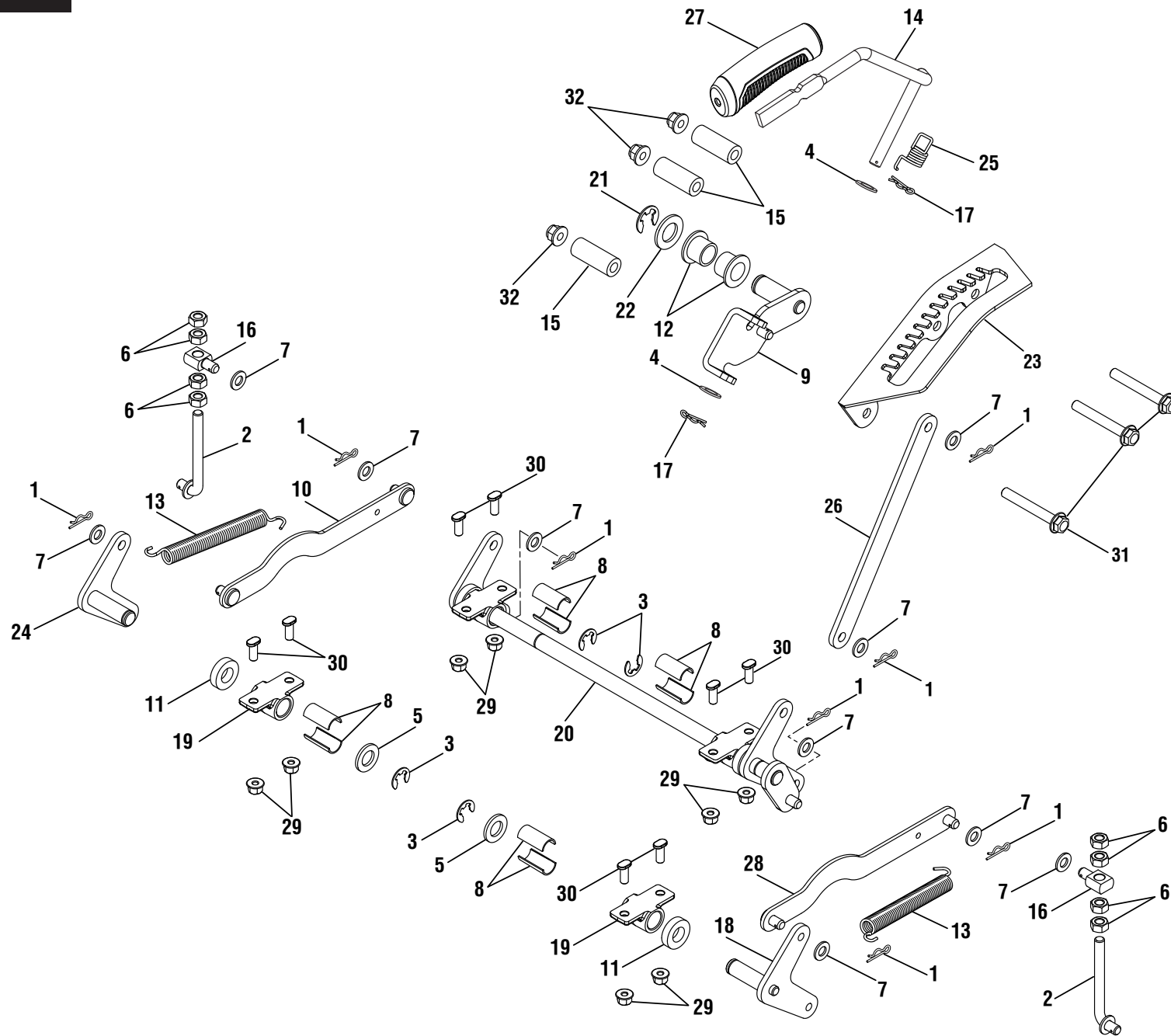
KEY NO.	PART NO.	DESCRIPTION	QTY.
1	994906001	Grass Deflector	1
2	996242001	Mulch Cover Kit	1
3	996292001	Retainer Clip	1
4	994981001	Hinge Pin (7.7 x 167.35)	1
5	994980001	Torsion Spring (19 x 62 x 3.02t)	1



**PARTS LIST — FIGURE H**

KEY NO.	PART NO.	DESCRIPTION	QTY.
1	994920001	Transaxle	1
2	994801001	Left Rear Axle	1
3	994800001	Right Rear Axle	1
4	996045001	Transmission Gasket	2
5	996046001	Bolt (M8 x 25 mm)	16
6	994770001	Lock Washer (8 mm)	16

KEY NO.	PART NO.	DESCRIPTION	QTY.
7	994771001	Washer (OD16 x ID8.4 x 1.6t)	16
8	994809001	U-Bolt	4
9	994788001	Hex Nut (M12 x 1.75 mm)	8
10	996062001	Spring Washer (OD20 x ID12.4 x 2t)	8
11	994891001	Washer (OD24 x ID13 x 2.5t)	8



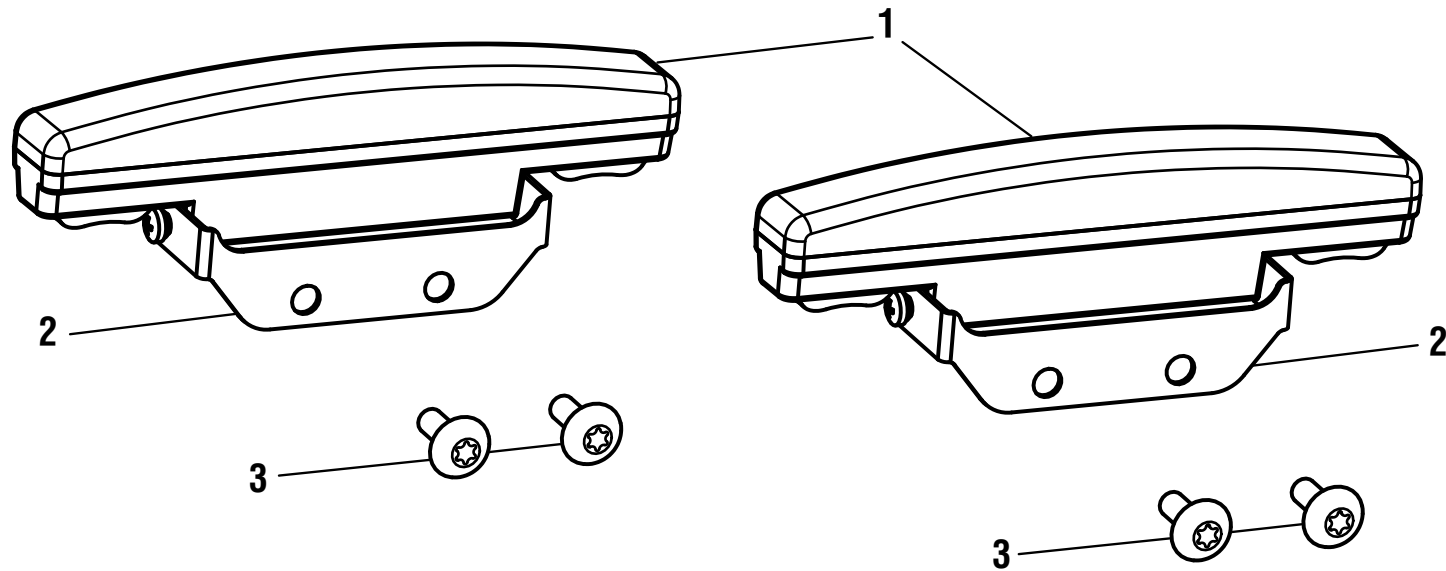


# RY48110/RY48111/RY48112

## PARTS LIST — FIGURE I

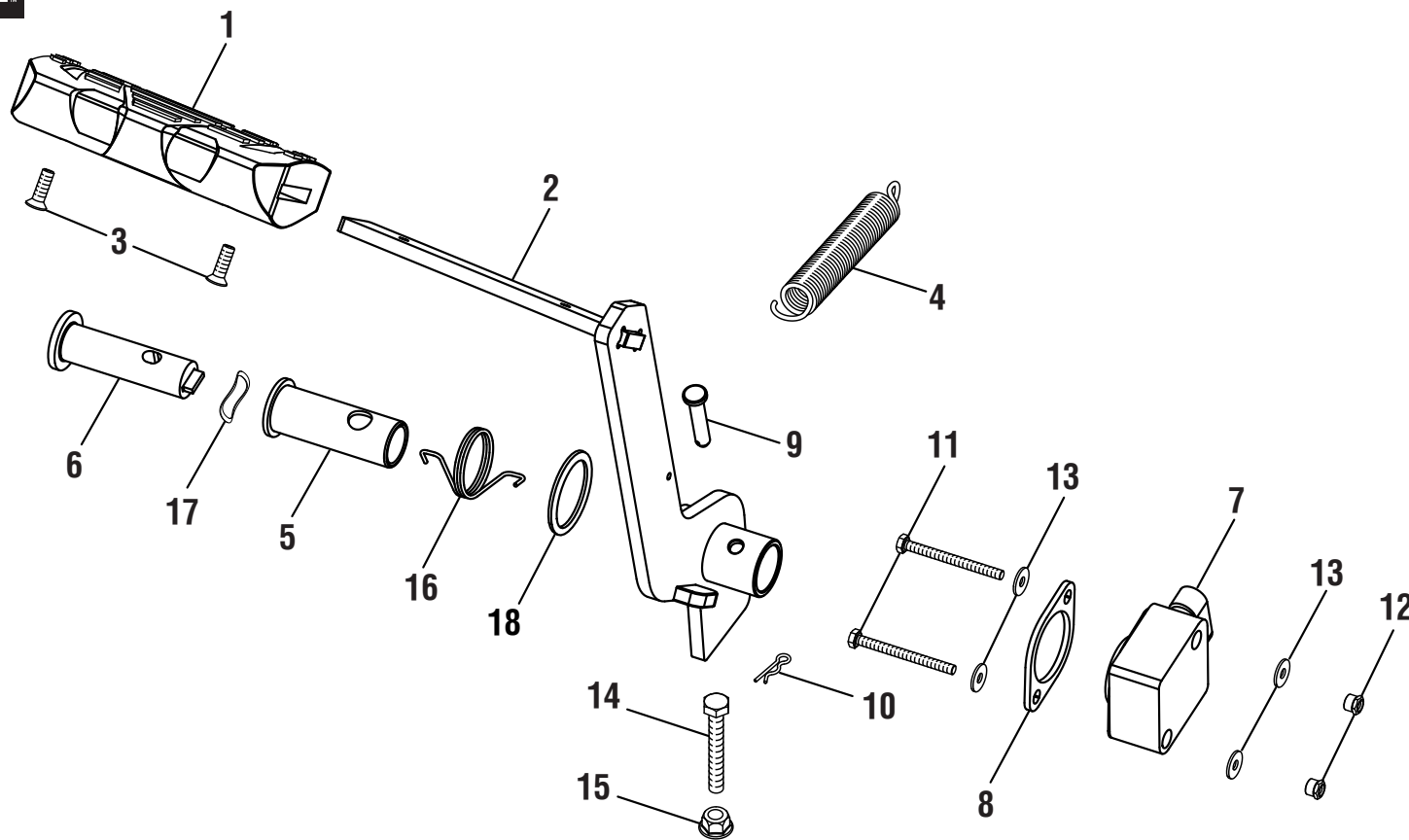
KEY NO.	PART NO.	DESCRIPTION	QTY.
1	996264001	Cotter Pin (10 mm)	8
2	994829001	Hanger Stud	2
3	994833001	E-Ring Clip (12 mm)	4
4	994891001	Washer (OD24 x ID13 x 2.5t)	2
5	994763001	Washer (OD30 x ID17 x 3t)	2
6	996263001	Nut (M10)	8
7	994996001	Washer (OD20 x ID10.5 x 2t)	10
8	994846001	Half Bushing Sleeve	8
9	996200001	Deck Lift Pivot Assembly	1
10	996198001	Right Linkage Assembly	1
11	996517001	Deck Lift Spacer	2
12	996004001	Pivot Plastic Sleeve	2
13	994911001	Tension Spring (Deck)	2
14	994885001	Lever Rod	1
15	996226001	Spacer (10.5 x 20 x 51)	3
16	994828001	Hanger Stud Mount	2

KEY NO.	PART NO.	DESCRIPTION	QTY.
17	994892001	Cotter Pin (12 mm)	2
18	996196001	Front Lifting Axle, Left	1
19	994845001	Frame Mount Hanger Bracket	2
20	996199001	Rear Lifting Axle	1
21	996267001	E-Ring Clip (15 mm)	1
22	994766001	Washer (OD37 x ID21 x 3t)	1
23	994921001	Detent Plate (4 mm)	1
24	996195001	Front Lifting Axle, Right	1
25	994888001	Torsion Spring	1
26	994887001	Deck Lift Lever Double Link	1
27	994972001	Decklift Handle	1
28	996197001	Linkage Assembly, Left	1
29	994867001	Flange Nut (M8)	8
30	996219001	Bolt (M8 x 25 mm, Flush Mount)	8
31	996253001	Flange Bolt (M10 x 75 mm, Hex Hd.)	3
32	996192001	Lock Nut (M10 x 1.5 mm)	3



**PARTS LIST — FIGURE J**

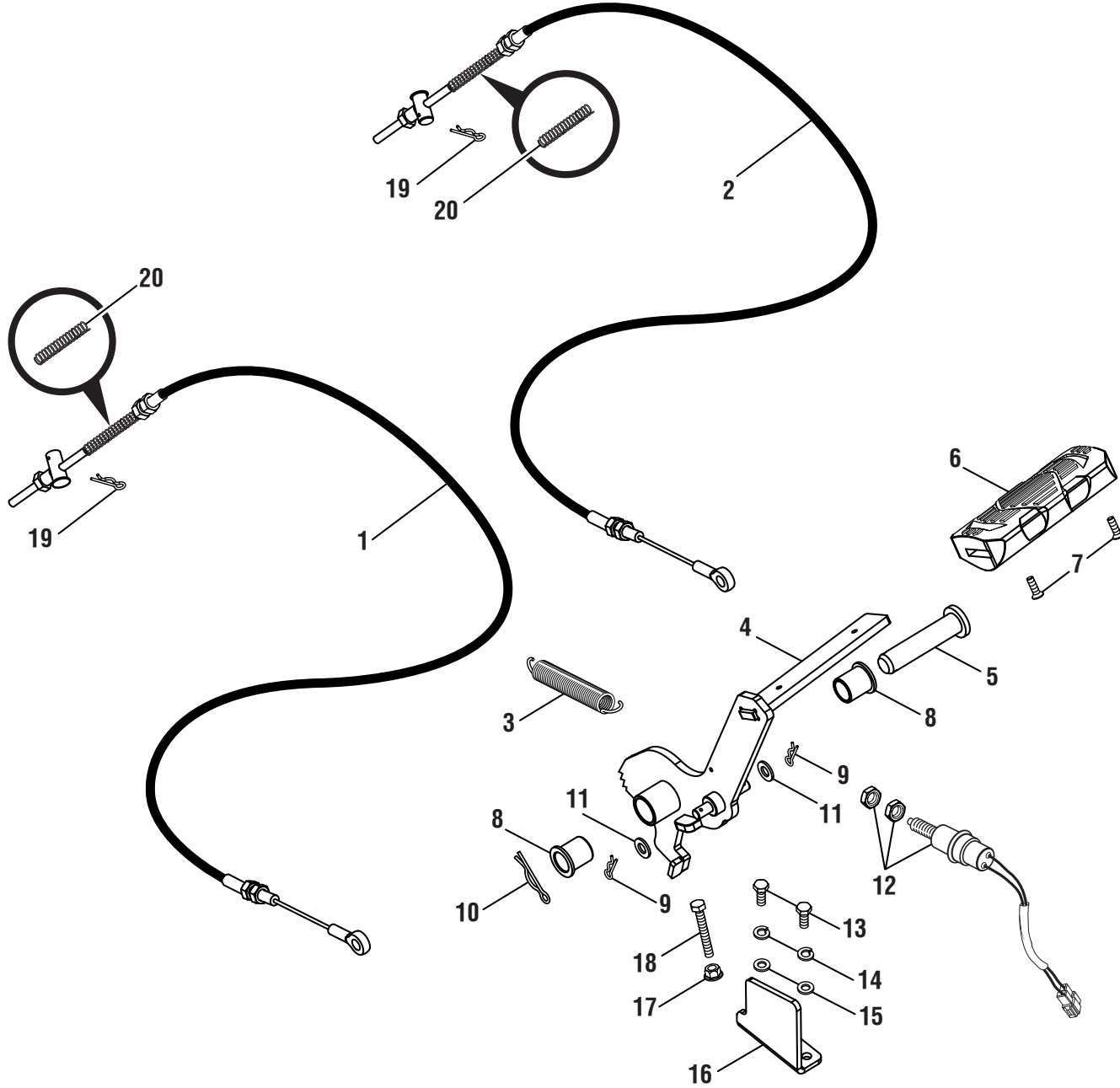
KEY NO.	PART NO.	DESCRIPTION	QTY.
1	994957001	Light Assembly (Inc. Key Nos. 2)	2
2	996028001	Bracket (Bracket Only)	2
3	994989001	Screw (M6 x 16, Torx. Pan Hd.)	4



PARTS LIST — FIGURE K

KEY NO.	PART NO.	DESCRIPTION	QTY.
1	994931001	Brake Pedal	1
2	996500001	Acceleration Pedal	1
3	994937001	Screw (M5 x 16 mm, Flat Hd.)	2
4	994838001	Pedal Spring	1
5	994848001	Accelerator Axle Bushing	1
6	994847001	Accelerator Axle	1
7	996499001	Speed Control Switch	1
8	994858001	Control Switch Mounting Bracket	1
9	994769001	Clevis Pin (6 x 30 mm)	1

KEY NO.	PART NO.	DESCRIPTION	QTY.
10	996293001	Cotter Pin (6 mm)	1
11	996254001	Bolt (M4 x 45 mm, Hex Hd.)	2
12	996301001	Nut (M4 x 0.7, Lock)	2
13	996294001	Washer (OD12 x ID4.3 x 1t)	4
14	996061001	Bolt (M6 x 45 mm, Hex Hd.)	1
15	994792001	Flange Nut (M6)	1
16	996365001	Torsion Spring	1
17	996355001	Wavy Washer	1
18	996523001	Adjusting Shim Kit	1





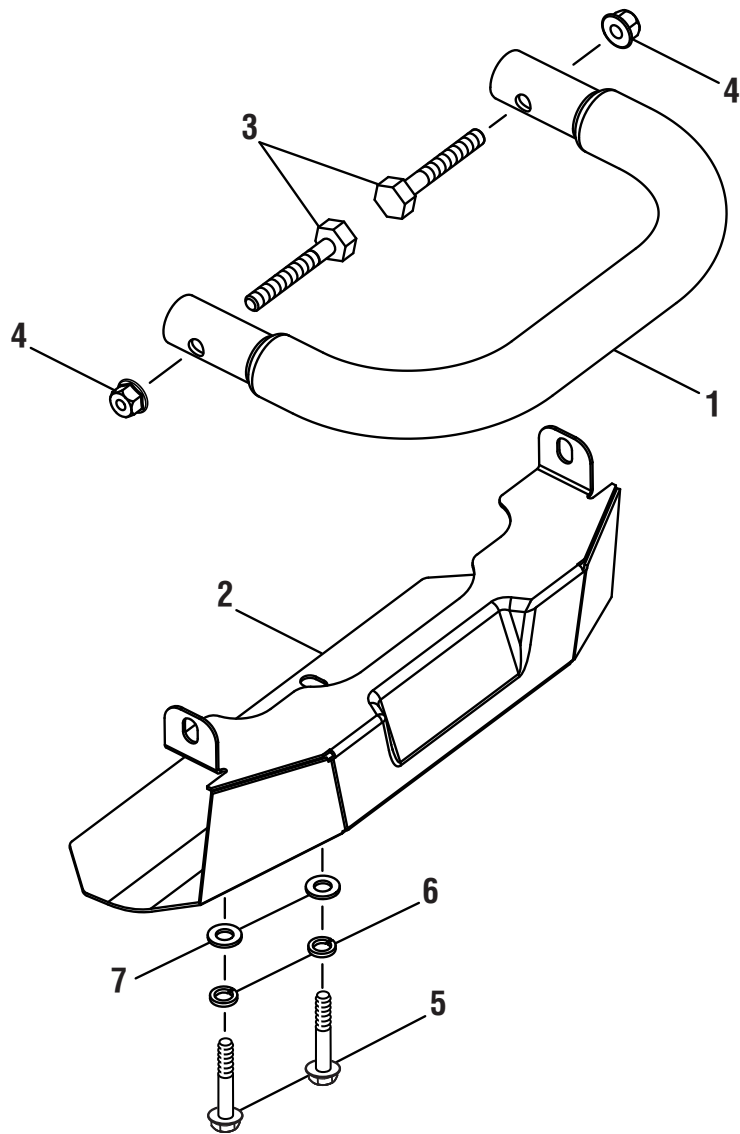


# RY48110/RY48111/RY48112

## PARTS LIST — FIGURE L

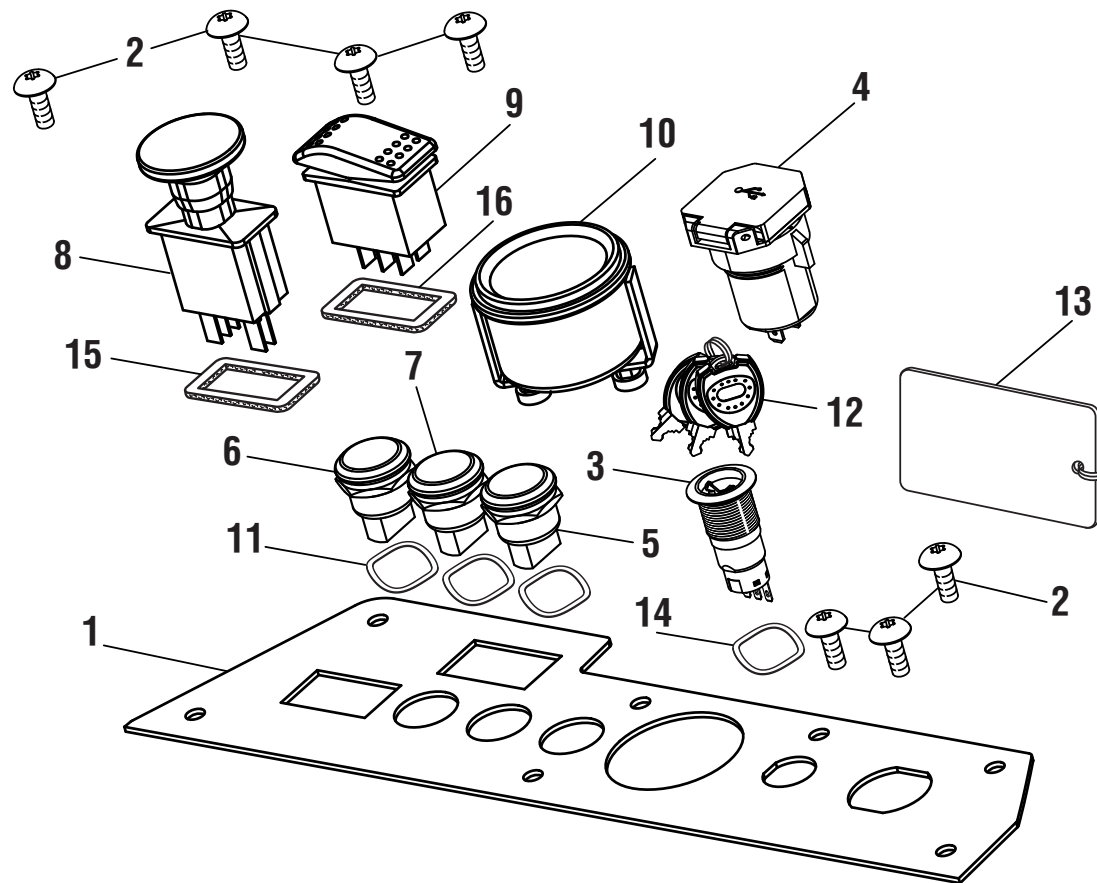
KEY NO.	PART NO.	DESCRIPTION	QTY.
1	996000001	Right Brake Cable	1
2	994999001	Left Brake Cable	1
3	994838001	Pedal Spring	1
4	994927001	Lever	1
5	994929001	Clevis Pin	1
6	994931001	Brake Pedal	1
7	994937001	Screw (M5 x 16 mm, Flat Hd.)	2
8	994928001	Bushing	2
9	996013001	Lock Pin (8 mm)	2
10	994930001	Lock Pin (16 mm)	1

KEY NO.	PART NO.	DESCRIPTION	QTY.
11	994771001	Washer (OD16 x ID8.4 x 1.6t)	2
12	994837001	Brake Switch Assembly	1
13	996282001	Bolt (M6 x 16 mm, Hex Hd.)	2
14	996058001	Spring Washer (M6)	2
15	996281001	Washer (OD12 x ID6.4 x 1.6t)	2
16	996206001	Brake Switch Guard	1
17	994792001	Flange Nut (M6)	1
18	996061001	Bolt (M6 x 45 mm, Hex Hd.)	1
19	994892001	Lock Pin	2
20	996559001	Compression Spring	2



**PARTS LIST — FIGURE M**

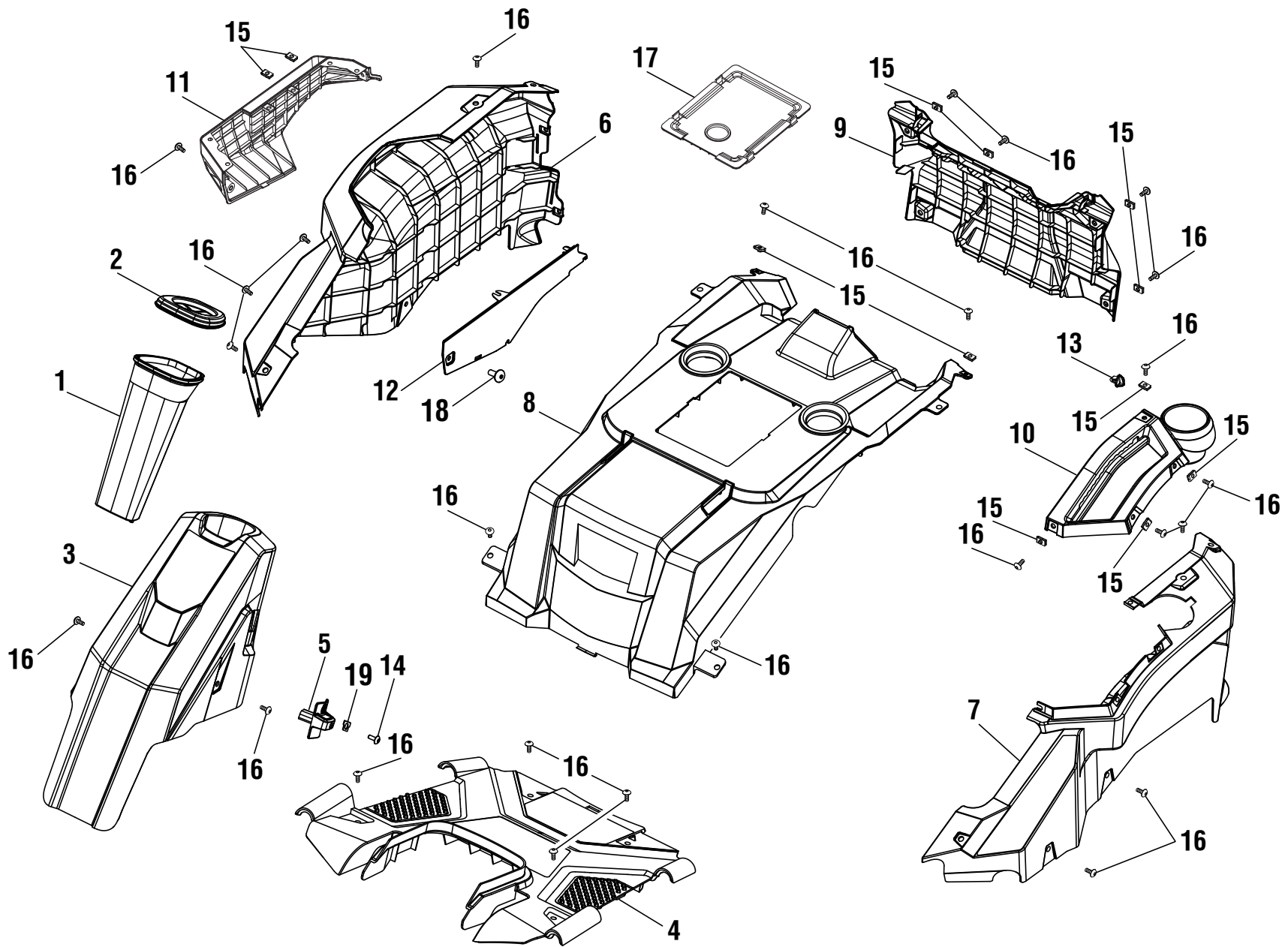
KEY NO.	PART NO.	DESCRIPTION	QTY.
1	994894001	Mower Bumper Tube	1
2	996023001	Front Bumper Cover	1
3	996289001	Shoulder Bolt (M8 x 50 mm)	2
4	994867001	Lock Nut (M8 x 1.25)	2
5	994795001	Shoulder Bolt (M8 x 45 mm, Hex Flange Hd.)	2
6	994770001	Lock Washer (8 mm)	2
7	994771001	Washer (OD16 x ID8.4 x 1.6t)	2



PARTS LIST — FIGURE N

KEY NO.	PART NO.	DESCRIPTION	QTY.
1	994961001	Face Plate	1
2	994989001	Screw (M6 x 10 mm, Soc. Button Hd.)	7
3	994964001	Switch Key Module	1
4	994963001	USB Module	1
5	994966001	Light Switch	1
6	994968001	Cruise Button	1
7	994967001	Reverse Mow Operation Button	1
8	994970001	Power Take Off Button (PTO)	1

KEY NO.	PART NO.	DESCRIPTION	QTY.
9	994969001	Toggle Switch	1
10	994965001	Gauge Module	1
11	996361001	Wavy Washer	3
12	996049001	Key	3
13	996288001	Warning Tag	1
14	996362001	Wavy Washer	1
15	996345001	Rubber Gasket	1
16	996344001	Gasket	1



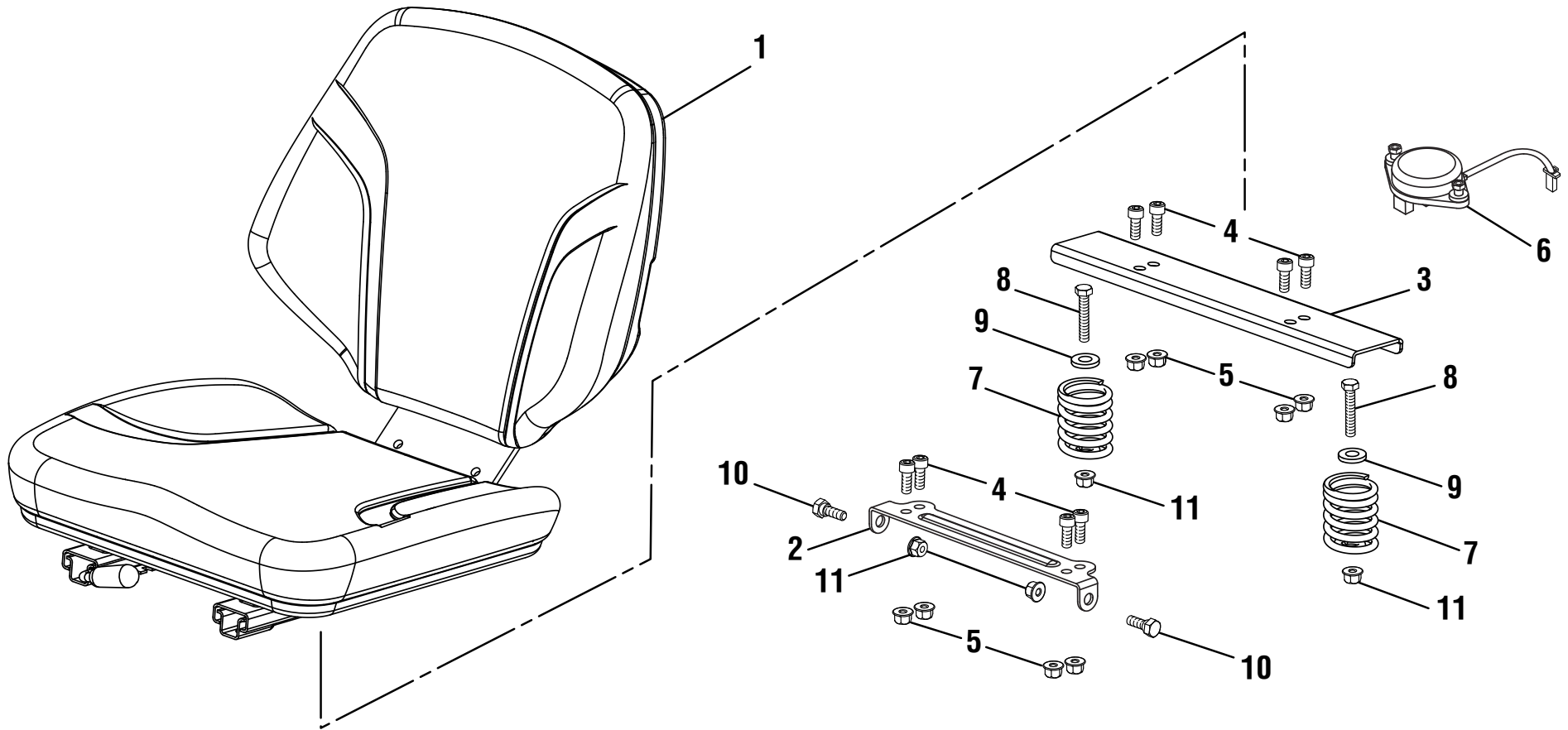


# RY48110/RY48111/RY48112

## PARTS LIST — FIGURE O

KEY NO.	PART NO.	DESCRIPTION	QTY.
1	994901001	Upper Steering Column	1
2	994902001	Steering Column Cover	1
3	994883001	Lower Steering Column	1
4	994876001	Floor Pan	1
5	994910001	Parking Brake Lever	1
6	994879001	Right Fender Housing	1
7	994880001	Left Fender Housing	1
8	994907001	Seat Pan	1
9	994895001	Rear Mover Cover	1
10	994900001	Deck Lift Console	1

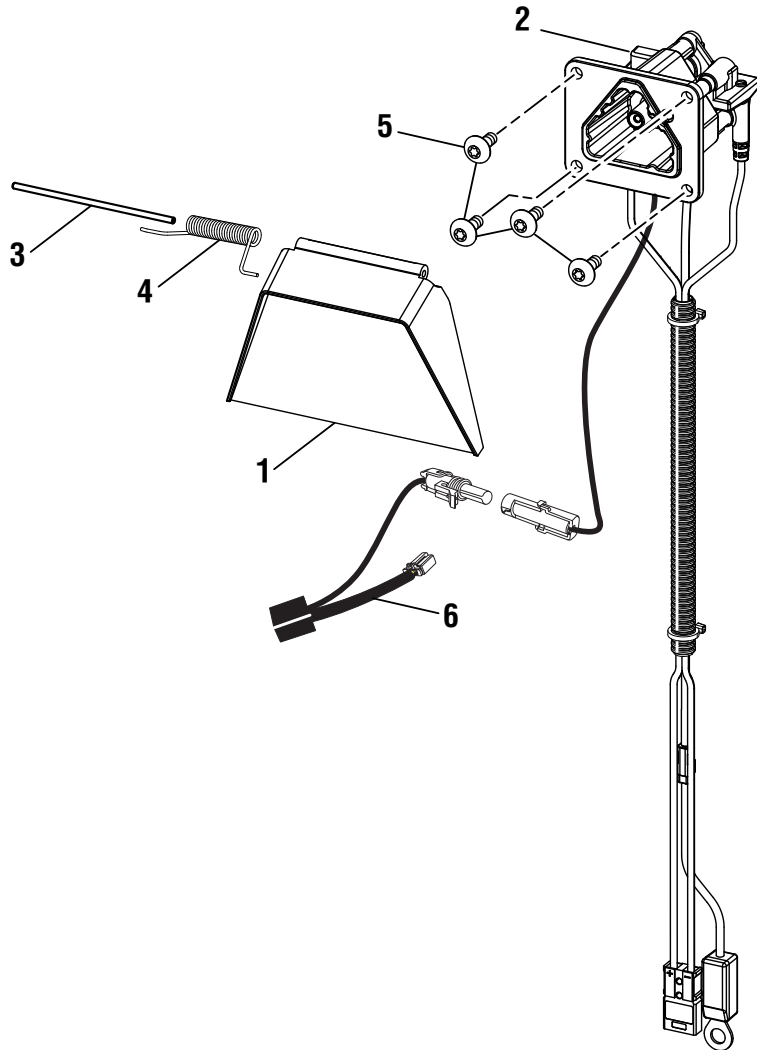
KEY NO.	PART NO.	DESCRIPTION	QTY.
11	994882001	Console	1
12	994786001	Rear Console Cover	1
13	994958001	Indicator Flag	1
14	996297001	Screw (M4 x 10 mm, Pan Hd.)	1
15	994785001	Clip-On Nut (M6)	12
16	994989001	Screw (M6 x 16 mm, Torx Soc. Hd.)	26
17	996002001	Battery Access Cap	1
18	996291001	Screw (ST4.2 x 13 mm)	1
19	996524001	Adjusting Washer	1



PARTS LIST — FIGURE P

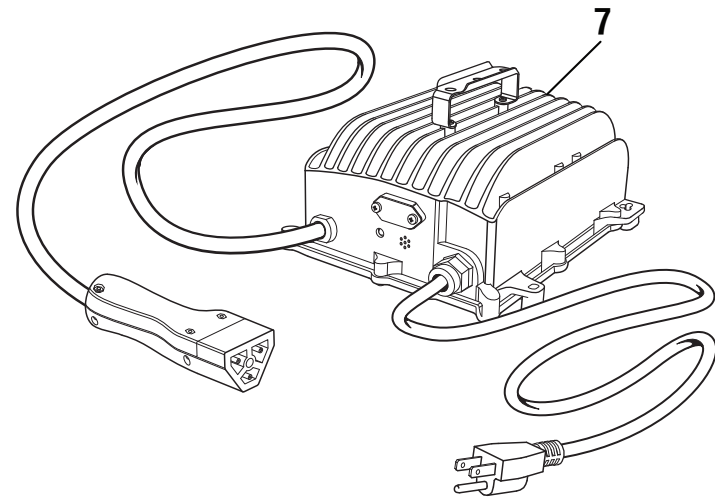
KEY NO.	PART NO.	DESCRIPTION	QTY.
1	996274001	P6 Seat	1
2	996275001	Seat Base Plate	1
3	996276001	Seat Base Plate, Rear	1
4	996302001	Screw (M8 x 16 mm)	8
5	996525001	Lock Nut (M8)	8
6	996277001	Seat Switch	1

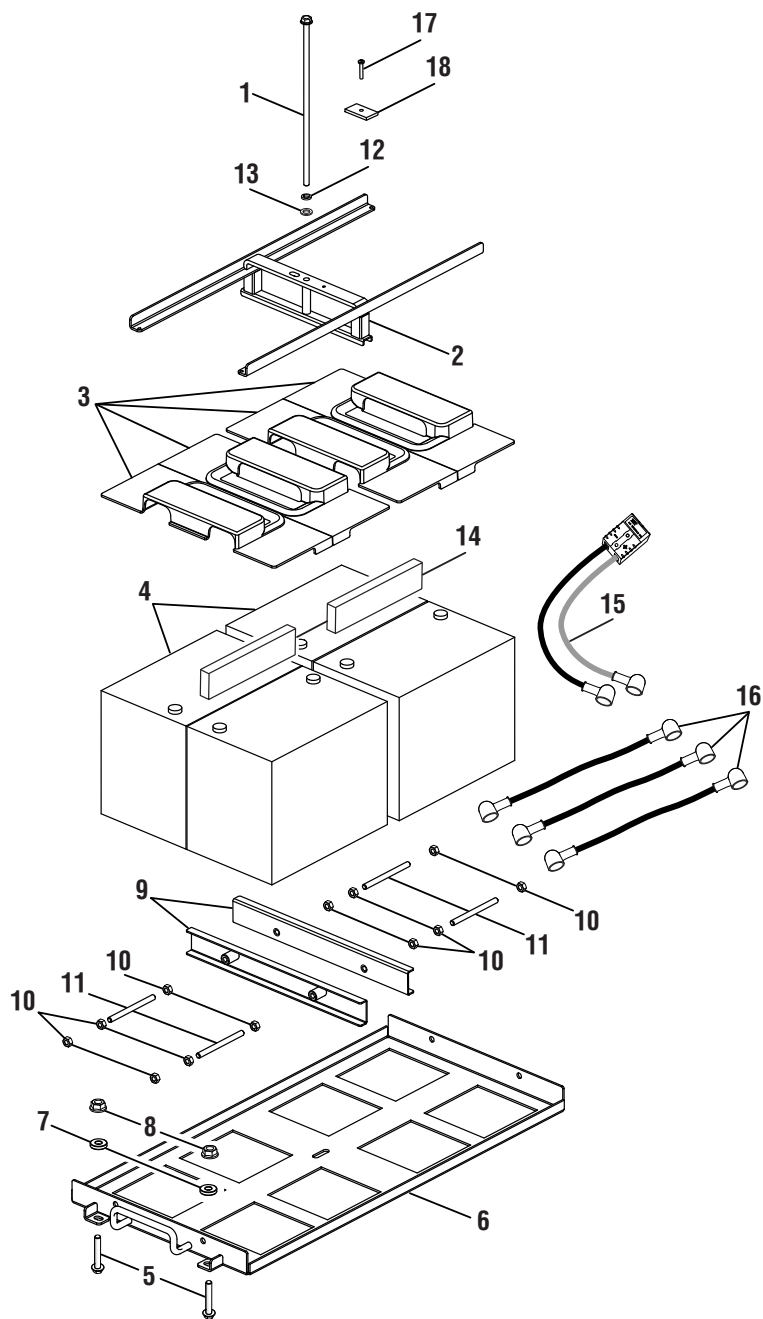
KEY NO.	PART NO.	DESCRIPTION	QTY.
7	994839001	Seat Spring	2
8	994795001	Bolt (M8 x 45 mm)	2
9	994827001	Washer (OD24 x ID8.4 x 2t)	2
10	994849001	Shoulder Bolt (M8 x 20 mm)	2
11	994867001	Flange Lock Nut (M8 x 1.25, Hex Hd.)	4



PARTS LIST — FIGURE Q

KEY NO.	PART NO.	DESCRIPTION	QTY.
1	996208001	Charger Port Hinge Door	1
2	996515001	Charger Receptacle	1
3	996283001	Hinge Pin	1
4	996210001	Torsion Spring	1
5	994989001	Screw (M6 x 16 mm, Torx Soc. Hd.)	4
6	996342001	Charger Lockout Circuit	1
7	996514001	Charger	1

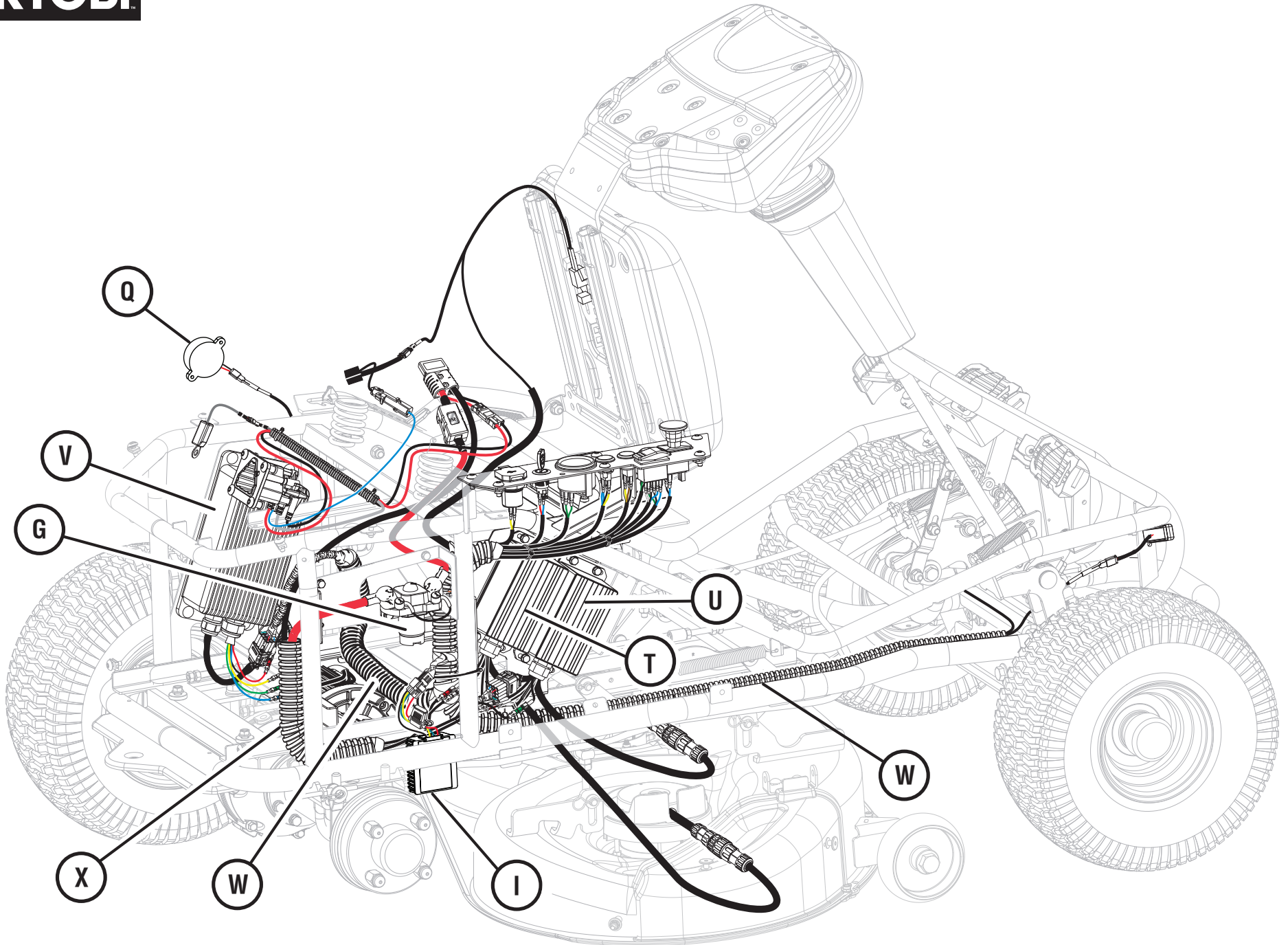




PARTS LIST — FIGURE R

KEY NO.	PART NO.	DESCRIPTION	QTY.
1	996357001	Bolt (M8)	1
2	994925001	Battery Tie Down	1
3	994990001	Battery Cover	4
4	996269001	Battery (LPC12-75, RY48110, RY48112)	4
	996239001	Battery (LPC12-100, RY48111)	4
5	996237001	Flange Bolt (M8 x 55 mm, Hex Hd.)	2
6	994923001	Battery Tray	1
7	996038001	Metal Bushing	2
8	994867001	Flange Nut (M8)	2
9	996351001	Battery Holder Bracket	2
10	996346001	Hex Nut (M8)	12
11	996350001	Threaded Rod (M8 x 100 mm)	4
12	994770001	Lock Washer (OD9.8 x ID8.5 x 5t)	1
13	994954001	Washer (OD12.5 x ID8.4 x 4t)	1
14	996363001	Battery Spacer (LPC12-75)	2
15	996270001	Two Wire Battery Cable (4 AWG Black & 4 AWG Red, 250 mm)	1
16	996272001	Battery Cable w/Covers (Red and Black, 120 mm)	3
17	996527001	Screw (M5 x 30 mm, Cross Recess Pan Hd.)	1
18	996528001	Main Connector Washer	1





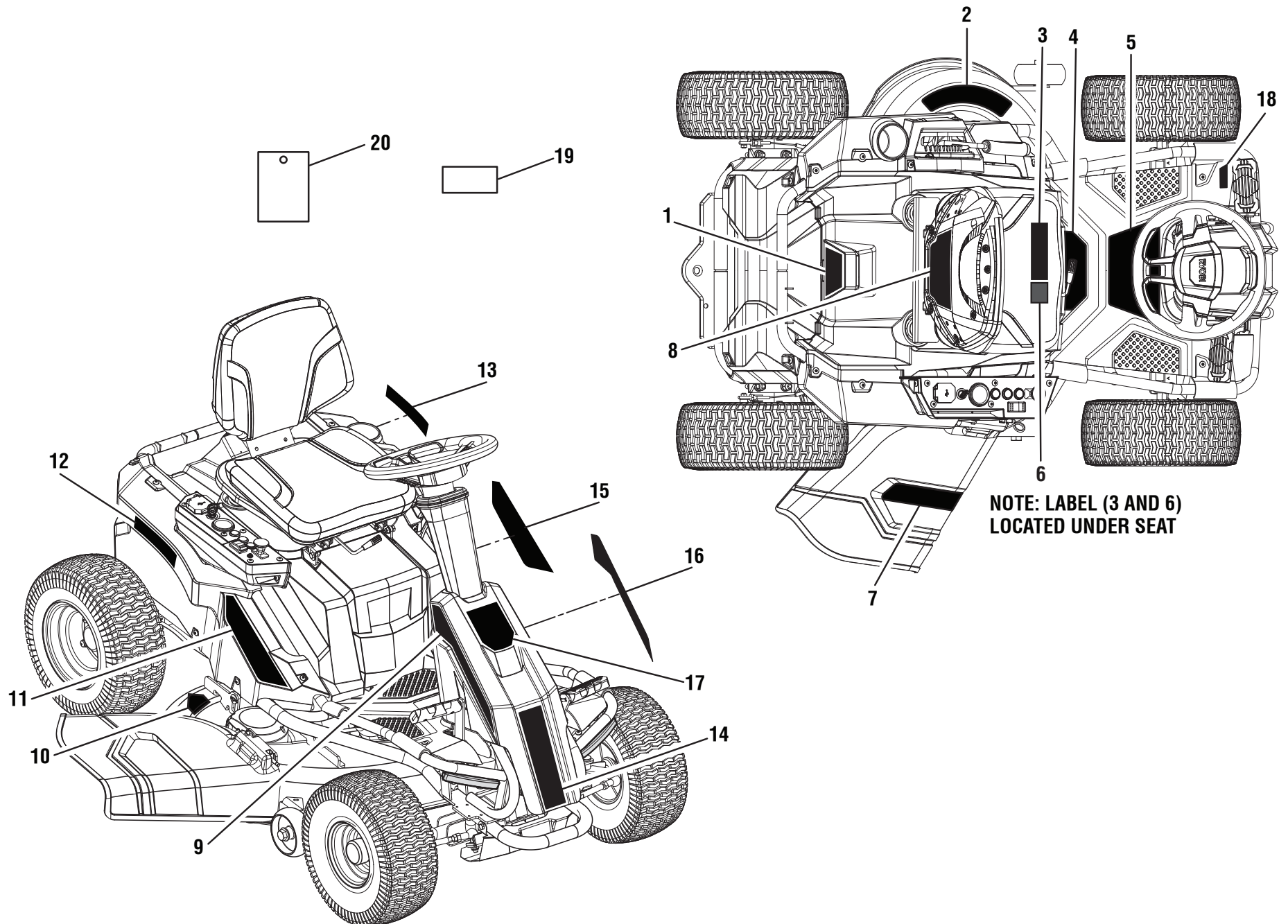


# RY48110/RY48111/RY48112

## PARTS LIST — FIGURE S

KEY NO.	PART NO.	DESCRIPTION	QTY.
1	997077001	12 Volt Power Converter (I)	1
2	996506001	Master Deck Motor Controller (T)	1
3	996507001	Slave Deck Motor Controller (U)	1
4	996508001	Drive Motor Controller (V)	1
5	996498001	Main Wiring Harness (W)	1
6	996273001	Sub Wiring Harness (X)	1
7	996497001	Main Relay (G)	1
8	996290001	Beeper (Q)	1
	<b>Not Shown:</b>		
	996381001	Heat Shrink (19.1 x 80 mm, Main Wiring Harness)	2
	996382001	Heat Shrink (15.9 x 80 mm, Main Wiring Harness)	3
	996383001	Heat Shrink (12.7 x 60 mm, Main Wiring Harness)	6

KEY NO.	PART NO.	DESCRIPTION	QTY.
	<b>Not Shown (cont.):</b>		
	996384001	Heat Shrink (25.4 x 80 mm, Drive Motor Controller, Power/Motor Wiring)	5
	996565001	Bolt (M5 x 16 mm, Hex hd.) (For Main Relay G)	2
	996286001	Lock Washer (For Main Relay G)	2
	996295001	Washer (OD12 x ID5.3 x 1t) (For Main Relay G & Power Converter I)	6
	996556001	Cap Screw (M5 x 16 mm, Hex Socket Hd.) (For Power Converter I)	2
	996058001	Spring Washer (M6) (For Deck Motor Controllers T & U)	2
	996281001	Washer (OD12 x ID6.4 x 1.6t) (For Deck Motor Controllers T & U)	2
	994867001	Flange Nut (M8) (For Drive Motor Controller V)	4
	996035001	Washer (OD7 x ID3.2 x 0.6t) (For Beeper Q)	4





# RY48110/RY48111/RY48112

## PARTS LIST — FIGURE T

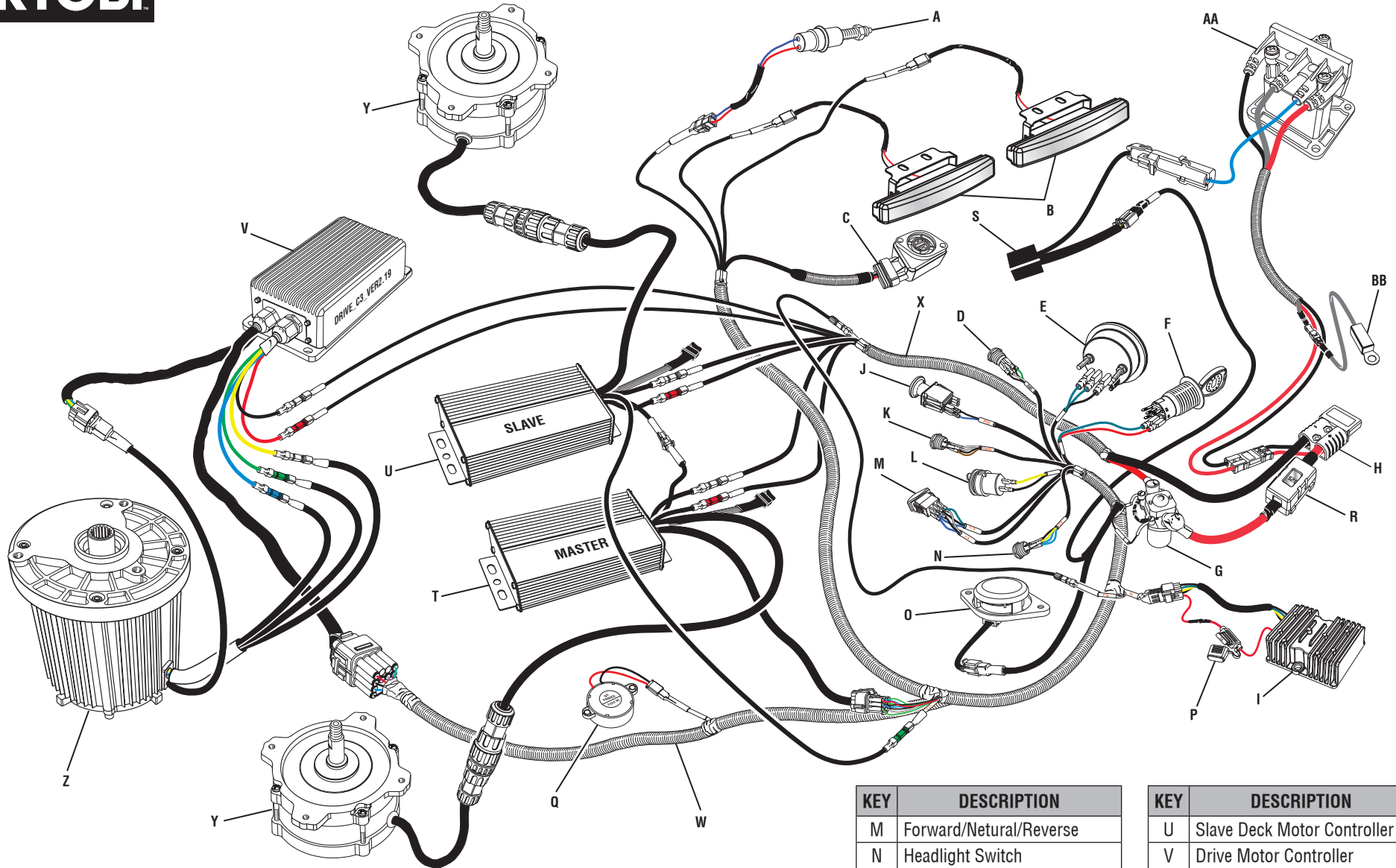
KEY NO.	PART NO.	DESCRIPTION	QTY.
1	940851222	Charging Port Label, English	1
	940851239	Charging Port Label, English/French	1
	940851231	Charging Port Label, Spanish	1
2	940851207	Deck Danger Label, English	1
	940851236	Deck Danger Label, English/French (RY48112)	1
	940851227	Deck Danger Label, Spanish	1
3	941588227	Data Label (RY48110)	1
	941588228	Data Label (RY48111)	1
	941588229	Data Label (RY48112)	1
4	940851206	Starting Warning Label, English	1
	940851233	Starting Warning Label, English/French (RY48112)	1
	940851225	Starting Warning Label, Spanish	1
5	940851205	Danger Label, English	1
	940851232	Danger Label, English/French	1
	940851224	Danger Label, Spanish	1
6	940851240	RPL Label, English	1
	940851264	RPL Label, English/French	1
	940657249	RPL Label, Spanish	2
7	940851208	Discharge Danger Label, English	1
	940851235	Discharge Danger Label, English/French (RY48112)	1
	940851228	Discharge Danger Label, Spanish	1

KEY NO.	PART NO.	DESCRIPTION	QTY.
8	941511015	Seat Back Panel	1
9	940851212	Right Stripes Label	1
10	940851219	No Hands CPSC Danger Label, English	1
	940851234	No Hands CPSC Danger Label, English/French	1
	940851226	No Hands CPSC Danger Label, Spanish	1
11	940851209	RM480e Label, Right	1
12	940851223	RYOBI Logo Label, Right	1
13	940705370	RYOBI Logo Label, Left	1
14	940705382	Front Column Logo Label	1
15	940851210	RM480e Label, Left	1
16	940851211	Left Stripes Label	1
17	940705369	Steering Column Logo Label	1
18	940531303	Brake Pedal Label, English	1
	940531304	Brake Pedal Label, English/French (RY48112)	1
	940531305	Brake Pedal Label, Spanish	1
19	996288001	Watch For Kids, Keychain Label	1
20	941511019	Prop 65 Hangtag	1



# RY48110/RY48111/RY48112

## WIRING DIAGRAM



KEY	DESCRIPTION
A	Brake Switch
B	Headlights
C	Accelerator
D	RMO

KEY	DESCRIPTION
E	Battery Gauge
F	Switch w/Key
G	Relay
H	Battery Connector

KEY	DESCRIPTION
I	12 Volt Power Converter
J	Blade PTO
K	Cruise
L	USB

KEY	DESCRIPTION
M	Forward/Neutral/Reverse
N	Headlight Switch
O	Seat Switch
P	5 Amp Fuse
Q	Beeper
R	125 Amp Fuse
S	Charger Lockout Circuit
T	Master Deck Motor Controller

KEY	DESCRIPTION
U	Slave Deck Motor Controller
V	Drive Motor Controller
W	Main Wiring Harness
X	Sub Wiring Harness
Y	Deck Motor
Z	Drive Motor
AA	Charger Port
BB	Temperature Sensor