



**REGISTER YOUR TOOLS**  
<http://register.ryobitools.com>  
 1-800-525-2579

# OPERATOR'S MANUAL

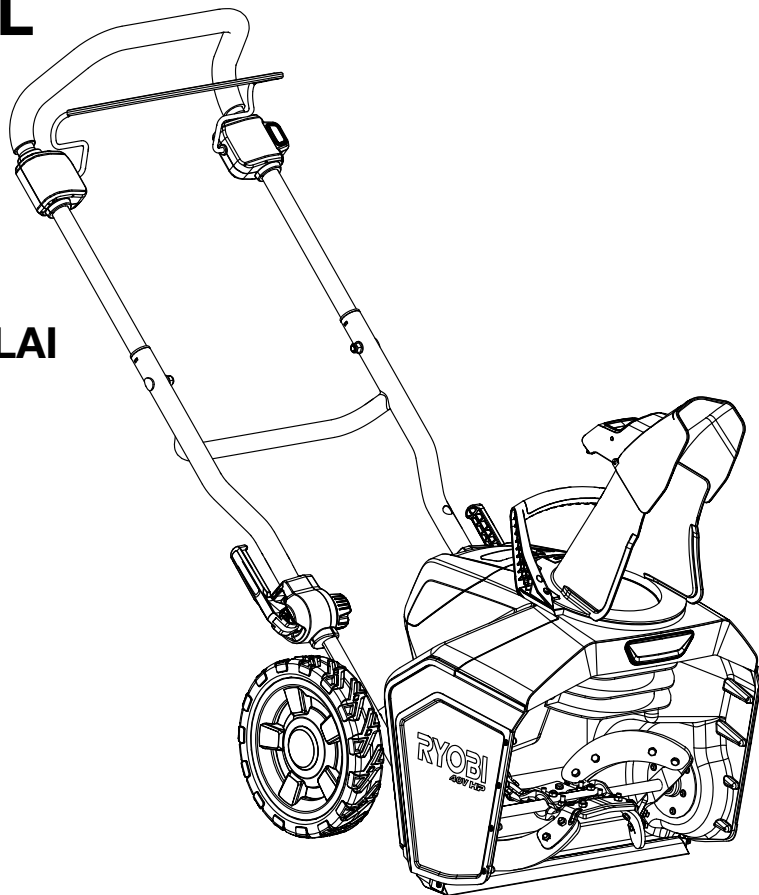
MANUEL D'UTILISATION  
 MANUAL DEL OPERADOR

40 VOLT BRUSHLESS  
 SNOW BLOWER

SOUFFLEUSE À NEIGE SANS BALAI  
 DE 40 V

EQUIPO QUITANIEVE DE SIN  
 ESCOBILLAS DE 40 V

**RY40809**



## TABLE OF CONTENTS

- Important Safety Instructions..... 2-3
- Symbols ..... 4-5
- Features ..... 6
- Assembly ..... 6-7
- Operation ..... 8-9
- Maintenance ..... 10
- Troubleshooting ..... 11
- Parts Ordering/Service..... Back Page

## TABLE DES MATIÈRES

- Instructions importantes concernant la sécurité..... 2-3
- Symboles ..... 4-5
- Caractéristiques ..... 6
- Assemblage ..... 6-7
- Utilisation ..... 8-9
- Entretien..... 10
- Dépannage..... 11
- Commande de pièces/ réparation..... Page arrière

## ÍNDICE DE CONTENIDO

- Instrucciones de seguridad importantes ..... 2-3
- Símbolos ..... 4-5
- Características ..... 6
- Armado ..... 6-7
- Funcionamiento ..... 8-9
- Mantenimiento ..... 10
- Solución de problemas ..... 11
- Pedidos de piezas/ servicio..... Pág. posterior

**⚠ WARNING:** To reduce the risk of injury, the user must read and understand the operator's manual before using this product.

**⚠ AVERTISSEMENT :** Pour réduire les risques de blessures, l'utilisateur doit lire et veiller à bien comprendre le manuel d'utilisation avant d'employer ce produit.

**⚠ ADVERTENCIA:** Para reducir el riesgo de lesiones, el usuario debe leer y comprender el manual del operador antes de usar este producto.

**SAVE THIS MANUAL FOR FUTURE REFERENCE**

**CONSERVER CE MANUEL POUR FUTURE RÉFÉRENCE**

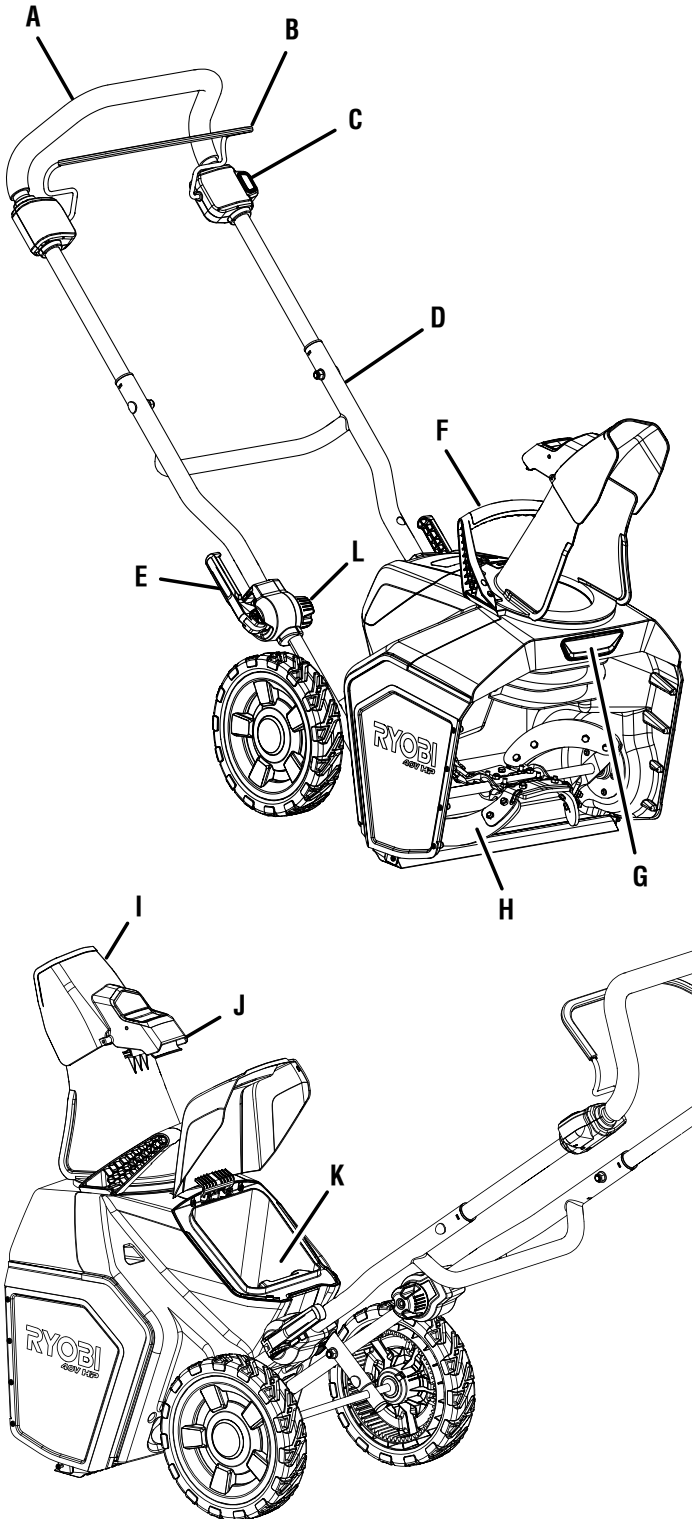
**GUARDE ESTE MANUAL PARA FUTURAS CONSULTAS**

See this fold-out section for all of the figures referenced in the operator's manual.

Consulter l'encart à volets afin d'examiner toutes les figures mentionnées dans le manuel d'utilisation.

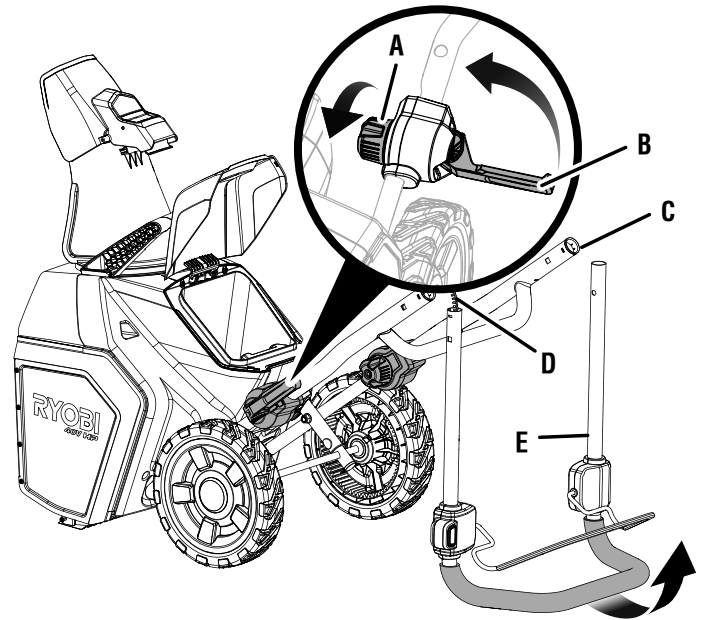
Consulte esta sección desplegable para ver todas las figuras a las que se hace referencia en el manual del operador.

**Fig. 1**



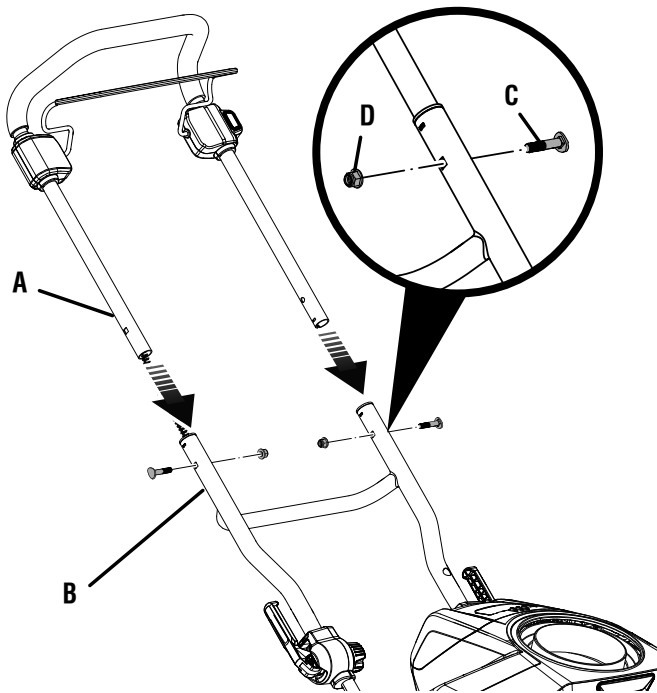
- A - Upper handle (poignée supérieure, mango superior)
- B - Bail (barre, gancho)
- C - Start button (bouton « Start » [démarrer], botón de arranque)
- D - Lower handle (poignée inférieure, mango inferior)
- E - Handle lock lever (levier de blocage de la poignée, palanca del mango)
- F - Chute rotation handle (poignée de rotation de la goulotte, mango de rotación del vertedor)
- G - LED headlights (phares DEL, luces delanteras LED)
- H - Impeller (tarière, impulsor)
- I - Chute deflector (déflecteur de goulotte, deflector del vertedor)
- J - Chute deflector handle (poignée du déflecteur de goulotte, mango del deflector del vertedor)
- K - Battery compartment (compartiment de la batterie, compartimiento de la batería)
- L - Handle adjustment knob (bouton de réglage de la poignée, perilla de ajuste del mango)

**Fig. 2**



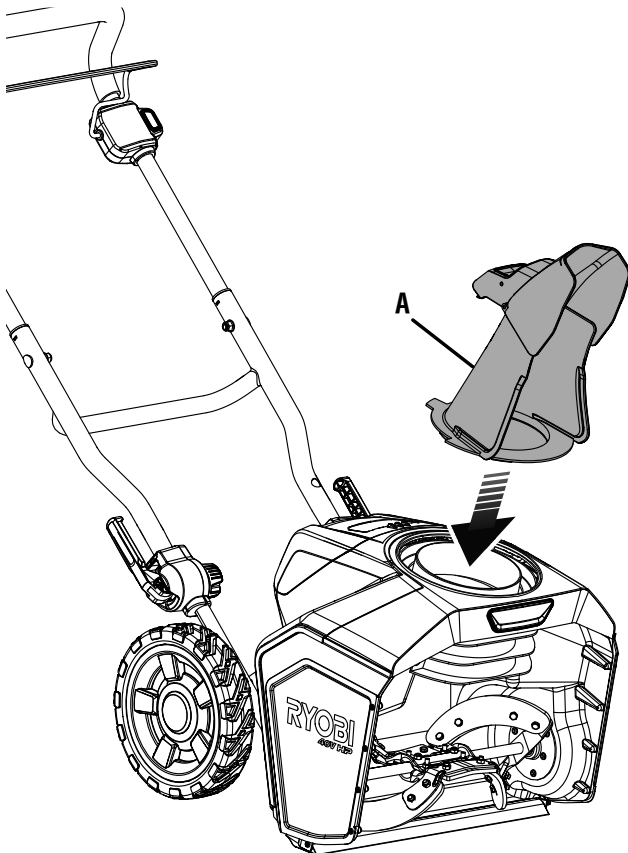
- A - Handle adjustment knob (bouton de réglage de la poignée, perilla de ajuste del mango)
- B - Handle lock lever (levier de blocage de la poignée, palanca del mango)
- C - Lower handle (poignée inférieure, mango inferior)
- D - Handle cable (câble de poignée, cable del mango)
- E - Upper handle (poignée supérieure, mango superior)

**Fig. 3**



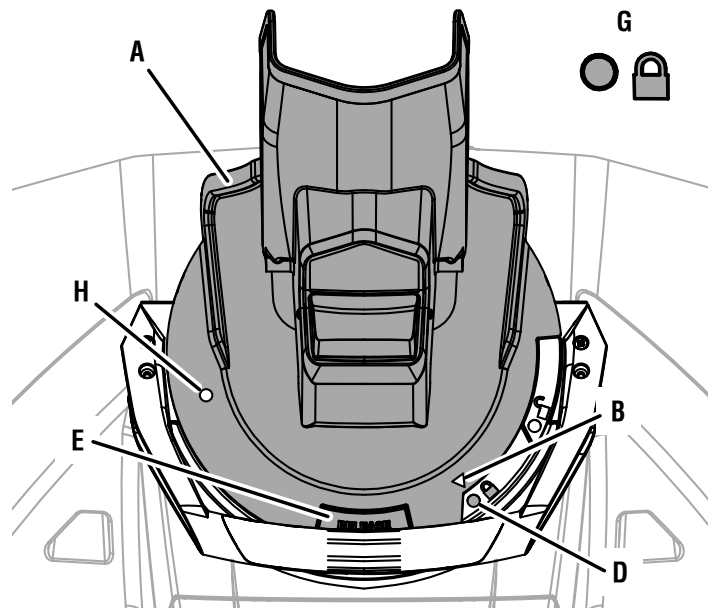
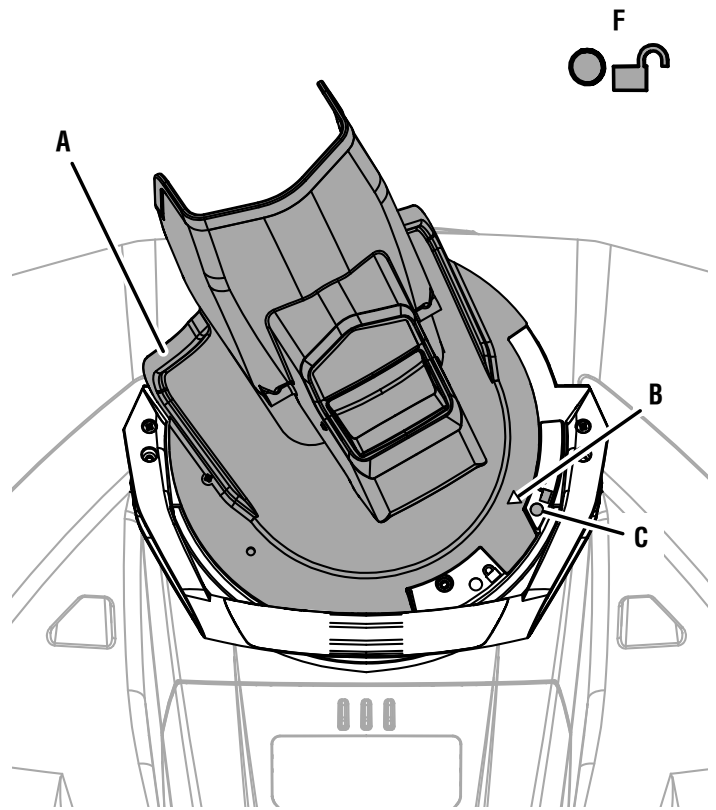
- A - Upper handle (poignée supérieure, mango superior)
- B - Lower handle (poignée inférieure, mango inferior)
- C - Bolt (boulon, perno)
- D - Nut (écrou, tuerca)

**Fig. 4**



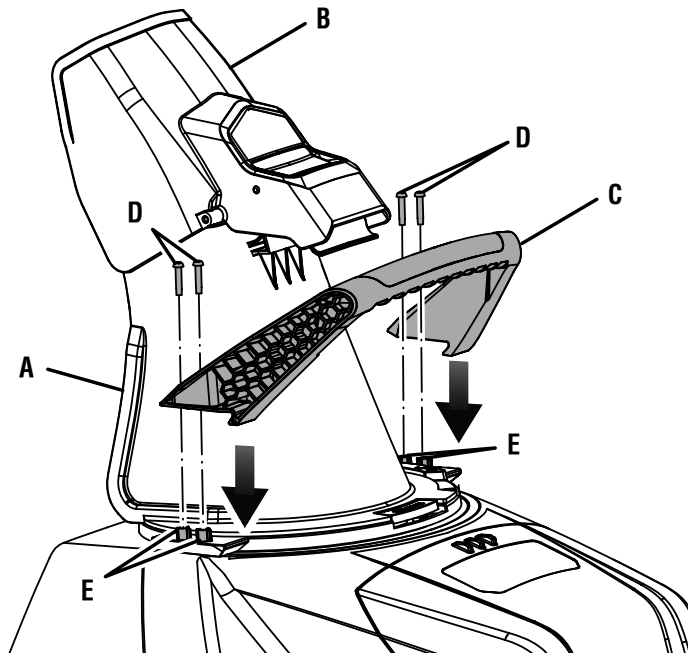
- A - Chute (goulotte, vertedor)

**Fig. 5**



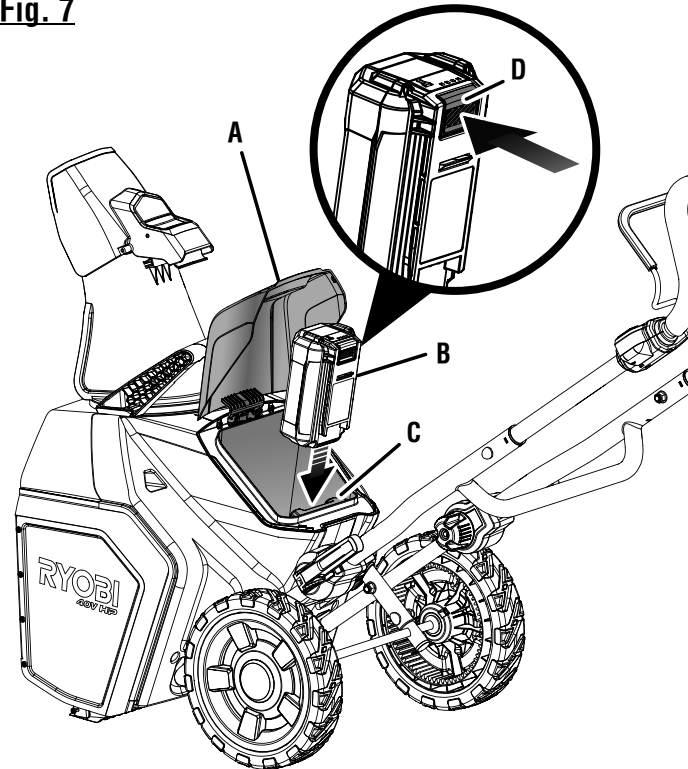
- A - Chute (goulotte, vertedor)
- B - Arrow on tab (fleche sur la languette, flecha en lengüeta)
- C - Dot on collar in unlocked position (point sur le collier en position déverrouillée, punto en collar en posición de desbloqueo)
- D - Dot on collar in locked position (point sur le collier en position verrouillée, punto en collar en posición de bloqueo)
- E - Release button (bouton de dégagement, botón de liberación)
- F - Unlocked (déverrouillé, desbloqueo)
- G - Locked (verrouillée, bloqueada)
- H - Screw hole (orifice de la vis, orificio para el tornillo)

**Fig. 6**



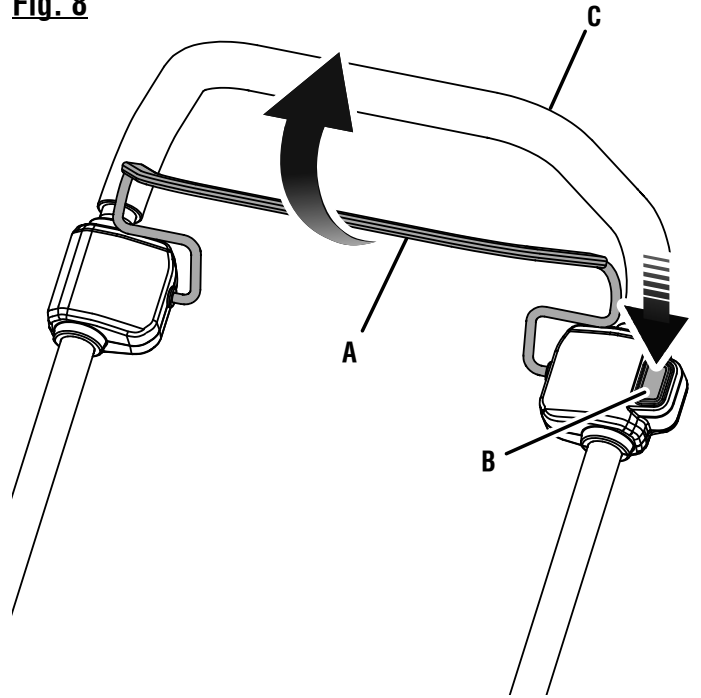
- A - Chute (goulotte, vertedor)
- B - Chute deflector (déflecteur de goulotte, deflector del vertedor)
- C - Chute rotation handle (poignée de rotation de la goulotte, mango de rotación del vertedor)
- D - Phillips head screws (vis cruciformes, tornillos de cabeza Phillips)
- E - Holes (trous, orificios)

**Fig. 7**



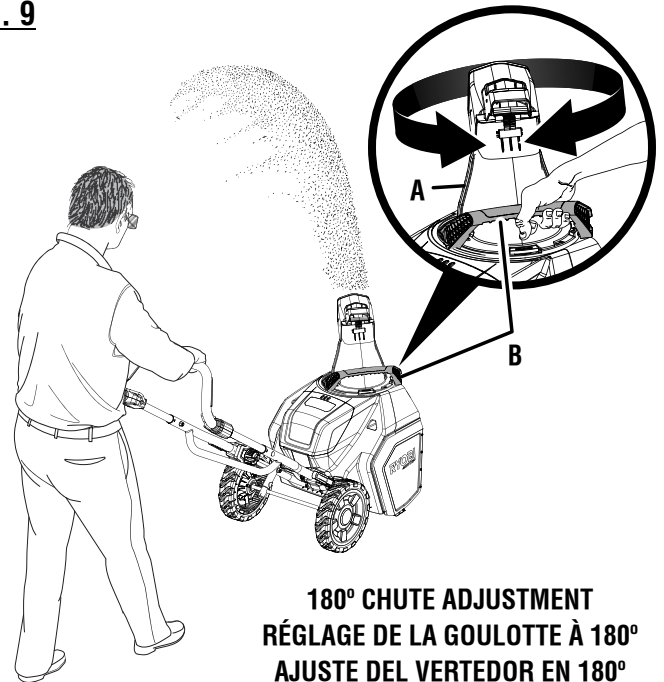
- A - Battery cover (couverture du logement de pile, tapa del compartimento para la batería)
- B - Battery pack (bloc-piles, paquete de baterías)
- C - Battery port (compartimento de pile, compartimento de la batería)
- D - Latch (loquet, pestillo)

**Fig. 8**



- A - Bail (barre, gancho)
- B - Start button (bouton « Start » [démarrer], botón de arranque)
- C - Upper handle (poignée supérieure, mango superior)

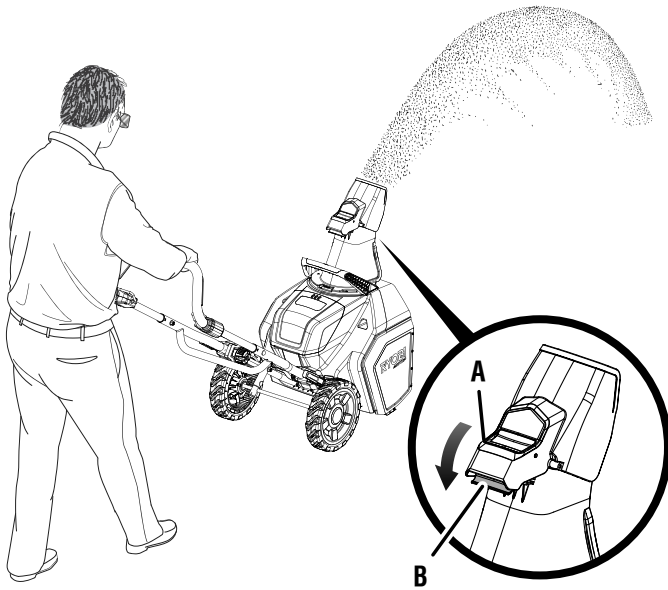
**Fig. 9**



- A - Chute (goulotte, vertedor)
- B - Chute rotation handle (poignée de rotation de la goulotte, mango de rotación del vertedor)

**Fig. 10**

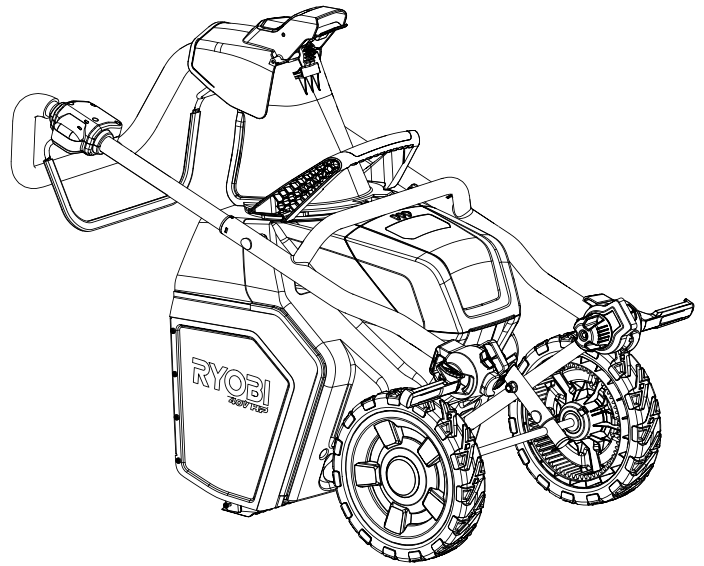
**TO INCREASE THROWING DISTANCE  
POUR AUGMENTER LA DISTANCE DE PROJECTION  
PARA AUMENTAR LA DISTANCIA DE DESPIDO**



- A - Chute deflector handle (poignée du déflecteur de goulotte, mango del deflector del vertedor)
- B - Chute deflector latch (loquet du déflecteur de la goulotte, pestillo del deflector del vertedor)

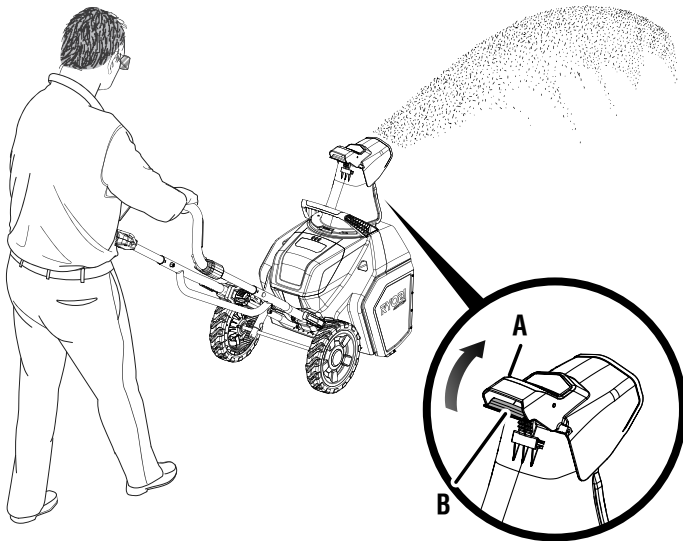
**Fig. 12**

**TO STORE THE MACHINE  
POUR REMISER L'ÉQUIPEMENT  
PARA GUARDAR LA MÁQUINA**



**Fig. 11**

**TO DECREASE THROWING DISTANCE  
POUR DIMINUER LA DISTANCE DE PROJECTION  
PARA DISMINUIR LA DISTANCIA DE DESPIDO**



- A - Chute deflector handle (poignée du déflecteur de goulotte, mango del deflector del vertedor)
- B - Chute deflector latch (loquet du déflecteur de la goulotte, pestillo del deflector del vertedor)

# IMPORTANT SAFETY INSTRUCTIONS



## WARNING:

**READ AND UNDERSTAND ALL INSTRUCTIONS.** Failure to follow all instructions listed below and on the machine may result in electric shock, fire, and/or serious personal injury.

- Know your snow blower. Read operator's manual carefully. Learn its applications and limitations, as well as the specific potential hazards related to this snow blower. Following this rule will reduce the risk of electric shock, fire, or serious injury.
- Do not permit children to use snow blower. It is not a toy.
- Use only accessories that are recommended by the manufacturer for your model described in this manual. Accessories that may be suitable for one snow blower may create a risk of injury when used on another snow blower. Use only as described in this manual.
- Do not handle charger, including charger plug, and charger terminals with wet hands.
- Do not put any object into openings. Do not use with any opening blocked; keep free of dust, lint, hair, and anything that may reduce air flow.
- Keep hair, loose clothing, fingers, and all parts of body away from openings and moving parts.
- Turn off all controls before removing battery.
- Do not operate snow blowers in explosive atmospheres, such as in the presence of flammable liquids, gases, or dust. Snow blowers create sparks which may ignite the dust or fumes.
- Keep bystanders, children, pets, and visitors at least 100 ft. away while operating a snow blower. Distractions can cause you to lose control.
- A battery operated snow blower with integral batteries or a separate battery pack must be recharged only with the specified charger for the battery. A charger that may be suitable for one type of battery may create a risk of fire when used with another battery.
- Use battery operated snow blower only with specifically designated battery pack. Use of any other batteries may create a risk of fire.
- Use this product only with batteries and chargers listed in tool/appliance/battery pack/charger correlation supplement 988000-842.
- Do not operate charger with a damaged cord or plug, which could cause shorting and electric shock. If damaged, have the charger replaced by an authorized service center.
- If appliance is not working as it should, has been dropped, damaged, left outdoors, or dropped into water, return it to a service center.
- Stay alert, watch what you are doing and use common sense when operating a power snow blower. Do not use snow blower while tired, upset, or under the influence of drugs, alcohol, or medication. A moment of inattention while operating snow blowers may result in serious personal injury.
- Avoid accidental starting. Carrying snow blowers with your finger on the start button or inserting the battery pack into a snow blower with the start button depressed invites accidents.
- Use safety equipment. Always wear eye protection. Dust mask, non-skid safety shoes, hard hat, or hearing protection must be used for appropriate conditions.
- Dress properly — Do not wear loose clothing, scarves, or jewelry. They can be caught in moving parts.
- Disconnect battery pack from snow blower before making any adjustments, changing accessories, or storing the snow blower. Such preventive safety measures reduce the risk of starting the snow blower accidentally.
- When battery pack is not in use, keep it away from other metal objects like: paper clips, coins, keys, nails, screws, or other small metal objects that can make a connection from one terminal to another. Shorting the battery terminals together may cause sparks, burns, or a fire.
- Check for misalignment or binding of moving parts, breakage of parts, and any other condition that may affect the snow blower's operation. If damaged, have the snow blower serviced before using. Many accidents are caused by poorly maintained snow blowers.
- Keep the snow blower and its handle dry, clean and free from oil and grease. Always use a clean cloth when cleaning. Never use brake fluids, gasoline, petroleum-based products, or any strong solvents to clean your snow blower. Following this rule will reduce the risk of loss of control and deterioration of the enclosure plastic.
- Exercise extreme caution when operating on slopes.
- Never allow children to operate the equipment. Never allow adults to operate the equipment without proper instruction.
- Maintain or replace safety and instruction labels, as necessary.
- Always wear safety glasses with side shields. Everyday glasses have only impact resistant lenses. They are NOT safety glasses. Following this rule will reduce the risk of eye injury.
- Always wear eye protection with side shields marked to comply with ANSI Z87.1. Following this rule will reduce the risk of serious personal injury.
- Battery snow blowers do not have to be plugged into an electrical outlet; therefore, they are always in operating condition. Be aware of possible hazards when not using your battery powered snow blower or when changing accessories. Following this rule will reduce the risk of electric shock, fire, or serious personal injury.
- Operation of the snow blower in the hand-held position is unsafe. Do not use this snow blower in any way other than as described in this manual.
- Under abusive conditions, liquid may be ejected from the battery; avoid contact. If contact accidentally occurs, flush with water. If liquid contacts eyes, additionally seek medical

# IMPORTANT SAFETY INSTRUCTIONS

- help. Liquid ejected from the battery may cause irritation or burns.
- Do not use a battery pack or appliance that is damaged or modified. Damaged or modified batteries may exhibit unpredictable behavior resulting in fire, explosion or risk of injury.
  - Do not expose a battery pack or appliance to fire or excessive temperature. Exposure to fire or temperature above 265°F may cause explosion.
  - Follow all charging instructions and do not charge the battery pack or appliance outside of the temperature range specified in the instructions. Charging improperly or at temperatures outside of the specified range may damage the battery and increase the risk of fire.
  - Do not modify or attempt to repair the appliance or the battery pack (as applicable) except as indicated in the instructions for use and care.
  - Do not store appliance in locations where the temperature is less than -22°F or more than 120°F. Do not store outside or in vehicles.
  - Do not use appliance in locations where the temperature is less than -22°F or more than 85°F.
  - Do not place battery powered snow blowers or their batteries near fire or heat. This will reduce the risk of explosion and possibly injury.
  - Don't expose snow blowers to rain. Water entering a snow blower will increase the risk of electric shock.
  - Wear heavy long pants, long sleeves, boots, and gloves. Avoid loose garments or jewelry that could get caught in moving parts of the machine or its motor.
  - Wear rubber boots when operating the snow blower. Protective footwear will protect your feet and improve your footing on slippery surfaces. Do not go barefoot or wear sandals.
  - Keep firm footing and balance. Do not overreach. Overreaching can result in loss of balance.
  - Do not point the snow blower discharge chute in the direction of people or pets. Thrown snow or other objects can cause serious personal injuries.
  - Never run the unit without the proper equipment attached. Always ensure the snow blower chute deflector is installed.
  - Store Idle Snow Blower Indoors — When not in use, snow blower should be stored indoors in a dry, locked up place — out of the reach of children.
  - Do not dispose of a severely damaged or worn out battery pack or this snow blower by incinerating. The battery can explode in fire.
  - Snow blower service must be performed only by qualified repair personnel. Service or maintenance performed by unqualified personnel may result in a risk of injury.
  - When servicing a snow blower, use only identical replacement parts. Follow instructions in the Maintenance section of this manual. Use of unauthorized parts or failure to follow Maintenance Instructions may create a risk of shock or injury.
  - Never use snow blower near fires, fireplaces, hot ashes, barbecue pits, etc. Use near fires or ashes can spread fires and result in serious injury and/or property damage.
  - Never use snow blower to spread chemicals, fertilizers, or any other toxic substances. Spreading these substances could result in serious injury to the operator or bystanders.
  - Never place snow blower on any surface, except a hard, clean surface when motor is running. Gravel, sand, and other debris can be picked up by the impeller and thrown at the operator or bystanders, causing possible serious injuries.
  - Check the work area before each use. Remove all objects such as rocks, broken glass, nails, wire, or string which can be thrown or become entangled in the machine.
  - Do not use snow blower on ice, which can cause the operator to slip and fall, resulting in possible serious personal injury.
  - Never use snow blower on frozen lakes, rivers, or similar surfaces. Serious injury or death could occur if the ice breaks.
  - Never use the snow blower on a rooftop or other unstable surface, which can result in death or serious personal injury.
  - For household use only.
  - Use the right appliance — Do not use the snow blower for any job except that for which it is intended.
  - Do not force the snow blower — It will do the job better and safer at the rate for which it was designed.
  - Never direct discharged material toward anyone. Avoid discharging material against a wall or obstruction. Material may ricochet back toward the operator. Stop the snow blower when crossing gravel or rocky surfaces.
  - If the snow blower strikes a foreign object, follow these steps:
    - Stop the snow blower by releasing the bail and wait until the unit comes to a complete stop.
    - Remove the battery pack.
    - Thoroughly inspect the snow blower for any damage.
    - Repair any damage before restarting and continuing to operate the snow blower.
  - Do not lift up or hold the snow blower above the ground when operating, which can result in loss of control and possible serious personal injury. Only operate the snow blower in accordance with the operating instructions provided in this operator's manual.
  - Keep guards in place and in working order.
  - Maintain Snow Blower With Care — Follow instructions for lubricating and changing accessories.
  - Stop the motor, wait until all moving parts come to a complete stop, and remove the battery pack before cleaning or performing any maintenance.
  - Never use water or any liquids to clean or rinse off your product and do not expose the product to rain. Store indoors in a dry area. Corrosive liquids, water, and chemicals can enter the product's electronic components and/or battery compartment and damage electronic components

# IMPORTANT SAFETY INSTRUCTIONS




and/or the battery pack, which can result in a short circuit, increased risk of fire, and serious personal injury. Remove any buildup of dirt and debris by wiping the product clean with a dry cloth occasionally.

- Exercise extreme caution when operating on or crossing driveways, walks, or roads. Stay alert for hidden hazards or traffic.
- If the unit should start to vibrate abnormally, stop the engine (motor) and check immediately for the cause. Vibration is generally a warning of trouble.







- Never operate the machine at high transport speeds on slippery surfaces. Look behind and use care when operating in reverse.
- Never operate the snow thrower without good visibility or light. Always be sure of your footing, and keep a firm hold on the handles. Walk; never run.
- Save these instructions. Refer to them frequently and use them to instruct others who may use this tool. If you loan someone this tool, loan them these instructions also.

## SYMBOLS

The following signal words and meanings are intended to explain the levels of risk associated with this product.

SYMBOL	SIGNAL	MEANING
	<b>DANGER:</b>	Indicates a hazardous situation, which, if not avoided, will result in death or serious injury.
	<b>WARNING:</b>	Indicates a hazardous situation, which, if not avoided, could result in death or serious injury.
	<b>CAUTION:</b>	Indicates a hazardous situation, that, if not avoided, may result in minor or moderate injury.
	<b>NOTICE:</b>	(Without Safety Alert Symbol) Indicates information considered important, but not related to a potential injury (e.g. messages relating to property damage).







Some of the following symbols may be used on this product. Please study them and learn their meaning. Proper interpretation of these symbols will allow you to operate the product better and safer.

SYMBOL	NAME	DESIGNATION/EXPLANATION
	Safety Alert	Indicates a potential personal injury hazard.
	Read Operator's Manual	To reduce the risk of injury, user must read and understand operator's manual before using this product.
	Eye Protection	Always wear eye protection with side shields marked to comply with ANSI Z87.1.
	Wet Conditions Alert	Do not expose battery, battery compartment, or electronic components to rain, water, or liquids. Do not charge battery or expose product to rain or damp locations.
	Ricochet	Thrown objects can ricochet and result in personal injury or property damage.
	Keep Feet Out of Impeller	Keep feet away from rotating impeller.



# SYMBOLS

Some of the following symbols may be used on this product. Please study them and learn their meaning. Proper interpretation of these symbols will allow you to operate the product better and safer.

SYMBOL	NAME	DESIGNATION/EXPLANATION
	Keep Hands Away	Keep hands away from impeller and discharge chute.
	Keep Children and Bystanders Away	Keep all children and bystanders at least 100 ft. away.
	Keep Hands and Feet Away	Keep hands and feet away from rotating impeller.
	No Slope	Do not operate on inclines greater than 15°. Walk across the face of slopes, never up and down.
	Recycle Symbol	This product uses lithium-ion (Li-ion) batteries. Local, state, or federal laws may prohibit disposal of batteries in ordinary trash. Consult your local waste authority for information regarding available recycling and/or disposal options.
	Direct Current	Type or a characteristic of current
V	Volts	Voltage
A	Amperes	Current
Hz	Hertz	Frequency (cycles per second)
W	Watt	Power
hrs	Hours	Time

# FEATURES

## PRODUCT SPECIFICATIONS

Motor ..... 40 Volt DC  
Clearing Width ..... 18 in.  
Clearing Depth ..... 10 in.

Wheel Size ..... 10 in.  
Throwing Distance ..... Up to 25 ft.

## KNOW YOUR SNOW BLOWER

See Figure 1.

The safe use of this product requires an understanding of the information on the product and in this operator's manual as well as a knowledge of the project you are attempting. Before use of this product, familiarize yourself with all operating features and safety rules.

## BATTERY COVERS

The battery covers protect the battery ports from moisture and debris.

## BATTERY STORAGE

The battery storage area offers a convenient place for storing your battery when not in use, or to store an extra battery pack.

## BRUSHLESS MOTOR

This product features a brushless motor that maximizes power and performance as well as battery run time.

## CHUTE DEFLECTOR HANDLE

The chute deflector handle allows you to change the distance that snow will discharge from the chute.

## CHUTE ROTATION HANDLE

The chute rotation handle allows you to choose the direction that snow will discharge from the snow blower. The handle allows the chute to rotate up to 180°.

## LED HEADLIGHTS

LED headlights are located on the front of the unit to illuminate your path in low light conditions. The lights will operate whenever the motor is running.

# ASSEMBLY

## UNPACKING

This product requires assembly.

- Carefully remove the product and any accessories from the box. Make sure that all items listed in the **Packing List** are included.

### **WARNING:**

Do not use this product if any parts on the **Packing List** are already assembled to your product when you unpack it. Parts on this list are not assembled to the product by the manufacturer and require customer installation. Use of a product that may have been improperly assembled could result in serious personal injury.

- Inspect the product carefully to make sure no breakage or damage occurred during shipping.
- Do not discard the packing material until you have carefully inspected and satisfactorily operated the product.
- If any parts are damaged or missing, please call 1-800-525-2579 for assistance.

## PACKING LIST

Snow Blower  
Chute Deflector  
Chute Rotation Handle  
Hardware Bag  
Assembly Tool  
Operator's Manual

### **WARNING:**

To avoid the risk of injury, do not operate without discharge chute in place.

### **WARNING:**

If any parts are damaged or missing, do not operate this product until the parts are replaced. Use of this product with damaged or missing parts could result in serious personal injury.

# ASSEMBLY

## **WARNING:**

Do not attempt to modify this product or create accessories not recommended for use with this product. Any such alteration or modification is misuse and could result in a hazardous condition leading to possible serious personal injury.

## **WARNING:**

Do not insert battery pack until assembly is complete and you are ready to use snow blower. Failure to comply could result in accidental starting and possible serious personal injury.

## **WARNING:**

To prevent accidental starting, do not make any adjustments or installations with the battery pack inserted. Accidental starting of the snow blower during assembly could result in serious personal injury.

## INSTALLING AND ADJUSTING HANDLE ASSEMBLY

See Figures 2 - 3.

### **NOTICE:**

Do not allow the handle cable to become pinched or trapped when raising the handles.

- Unlock the handle adjustment levers.
- Raise the lower handle.
- Raise the upper handle. Avoid pinching or trapping any cables.
- Align the upper handle with opening of the lower handle, insert upper handle into lower handle.

**NOTE:** Make sure the handle cable is running along the inside of the assembly and is not being pinched, bent, or wrapped around it.

- Align the hole in the upper handle with the hole in the lower handle.

- Insert bolt into the side hole of the lower/upper handles.
- Install locking nut. Tighten securely using the included assembly tool and an adjustable wrench (not provided).
- Repeat steps for the other side.
- Return the handle adjustment levers to the locked position to secure the handle in place.

## ADJUSTING THE HANDLE ADJUSTMENT LEVER

See Figure 2.

If the handle adjustment levers will not lock securely, the handle adjustment knob on the inside of the levers needs to be adjusted.

- Move the handle lock levers to the unlocked position.
- Adjust the handle adjustment knob until the handle adjustment levers will close securely in the locked position.  
**NOTE:** Do not overtighten. The handle adjustment levers should not require excessive force when placing them in the locked position. If they are too tight, loosen the handle adjustment knob slightly until the levers will lock.
- Move the handle adjustment levers to the locked position to secure the handle in place.

## INSTALLING CHUTE DEFLECTOR

See Figures 4 - 6.

- Insert the chute deflector into the snow blower and align the arrow to the dot in the unlocked position as shown.
- Press and twist the chute deflector until the arrow aligns with the dot in the locked position and the release button clicks into its locked position.
- Insert the Phillips head screw into the screw hole and tighten securely. Do not overtighten.

### **To attach chute rotation handle:**

- Align handle with holes at the base of the chute.
- Secure with screws and tighten securely.

# OPERATION

## WARNING:

Do not allow familiarity with products to make you careless. Remember that a careless fraction of a second is sufficient to inflict serious injury.

## WARNING:

Always wear eye protection with side shields marked to comply with ANSI Z87.1. Failure to do so could result in objects being thrown into your eyes resulting in possible serious injury.

## WARNING:

Do not use any attachments or accessories not recommended by the manufacturer of this product. The use of attachments or accessories not recommended can result in serious personal injury.

## NOTICE:

Before each use, inspect the entire product for damaged, missing, or loose parts such as screws, nuts, bolts, caps, etc. Tighten securely all fasteners and caps and do not operate this product until all missing or damaged parts are replaced. Please contact customer service or an authorized service center for assistance.

## APPLICATIONS

You may use this product for the purpose listed below:

- Removing snow from desired areas such as driveways and sidewalks

## WARNING:

Always remove battery pack or disconnect the snow blower from power supply when you are assembling parts, making adjustments, cleaning, or when not in use. This will prevent accidental starting that could cause serious personal injury.

## INSTALLING/REMOVING BATTERY PACK

See Figure 7.

### To install battery pack:

- Raise the battery cover.
- Align raised ribs on battery pack with grooves in the battery port and place the battery pack in the snow blower.

## WARNING:

Make sure the latch on the bottom of the battery pack snaps in place and the battery pack is fully seated and secure in the battery port before beginning operation. Failure to securely seat the battery pack could cause the battery pack to fall out, resulting in serious personal injury.

- Lower the battery cover.

### To remove battery pack:

- Raise the battery cover.
- Press and hold the battery latch button at the bottom of the battery pack.
- Remove battery pack from the snow blower.

## WARNING:

To avoid serious personal injury, always remove the battery pack when moving or transporting the tool.

For complete battery use and charging instructions, see the operator's manuals for your battery pack and charger.

## STARTING/STOPPING THE SNOW BLOWER

See Figure 8.

- Install battery pack as previously described.
- Press and hold the start button. Pull the bail toward the handle and release the start button when the snow blower starts.
- To stop the unit, release the bail.

## ADJUSTING THE CHUTE

See Figures 9 - 11.

The chute can be adjusted to change both the direction and the distance to assist you in moving snow away from one area and placing it in another.

The **direction** of snow removal can be adjusted up to 180°.

- **To rotate chute:** Using the chute rotation handle, rotate the chute until it clicks into desired position on the chute locking plate.

The **distance** the snow is moved is adjusted using the chute deflector handle.

- Depress the deflector latch and move the chute deflector backward (up) to increase the distance the snow will be thrown.

## WARNING:

Do not force the chute so far forward that a gap appears between the deflector and the chute itself. Snow or other debris could be thrown through the gap back at the operator, resulting in serious personal injury.

# OPERATION

- Depress the deflector latch and move the chute deflector forward (down) to decrease the distance the snow will be thrown.

## OPERATING TIPS

### **WARNING:**

Never use snow blower on frozen lakes, rivers, or similar surfaces. Death or serious injury could occur if the ice breaks.

### **WARNING:**

Never use the snow blower on a rooftop or other unstable surface, which can result in death or serious personal injury.

### **WARNING:**

Do not use snow blower on ice, which can cause the operator to slip and fall, resulting in possible serious personal injury.

### **WARNING:**

Do not wear loose clothing, scarves, or jewelry. They can be caught in moving parts and cause death or serious personal injury.

### **WARNING:**

Keep all snow discharge pointed away from all electrical devices to reduce the risk of electrocution or electric shock.

### **WARNING:**

Never point the snow blower or discharge chute in the direction of people or pets. Thrown snow or other objects can cause serious personal injuries.

### **WARNING:**

Make sure the area to be cleared is free of stones, sticks, wires, gravel, and other objects that could be accidentally thrown by the snow blower in any direction and cause serious personal injury to the operator and others.

- If the unit comes in contact with any type of obstruction or debris during use, stop the snow blower, remove the battery pack, remove the obstruction, and inspect the unit carefully for damage before proceeding.

### **WARNING:**

Never reach into the discharge chute or place any body part in front of the snow blower when the unit is operating or when the battery pack is installed. Always ensure all moving parts have stopped and the battery pack has been removed before clearing any obstructions. Failure to follow these instructions can result in serious personal injury.

- Take notice of the direction of the wind before beginning. When possible, discharge snow in the same direction as the wind to prevent snow from being thrown back into your face.
- Some parts of the snow blower can freeze under extreme weather conditions. Do not attempt to operate the unit with frozen parts.
- When finished, allow the motor to run for an additional few minutes, then turn the chute rotation lever back and forth several times to remove any remaining snow from the chute.

# MAINTENANCE

## **WARNING:**

Before performing any maintenance, make sure the snow blower battery is removed to avoid accidental starting and possible serious personal injury.

## **WARNING:**

Always wear eye protection with side shields marked to comply with ANSI Z87.1. Failure to do so could result in objects being thrown into your eyes resulting in possible serious injury.

## **WARNING:**

When servicing, use only authorized replacement parts. Use of any other parts can create a hazard or cause product damage.

## **WARNING:**

Never use water or any liquids to clean or rinse off your product and do not expose the product to rain. Store indoors in a dry area. Corrosive liquids, water, and chemicals can enter the product's electronic components and/or battery compartment and damage electronic components and/or the battery pack, which can result in a short circuit, increased risk of fire, and serious personal injury. Remove any buildup of dirt and debris by wiping the product clean with a dry cloth occasionally.

## **NOTICE:**

Periodically inspect the entire product for damaged, missing, or loose parts such as screws, nuts, bolts, caps, etc. Tighten securely all fasteners and caps and do not operate this product until all missing or damaged parts are replaced. Please contact customer service or an authorized service center for assistance.

## **GENERAL MAINTENANCE**

Avoid using solvents when cleaning plastic parts. Most plastics are susceptible to damage from various types of commercial solvents and may be damaged by their use. Use clean cloths to remove dirt, dust, oil, grease, etc.

## **WARNING:**

Do not at any time let brake fluids, gasoline, petroleum-based products, penetrating oils, etc., come in contact with plastic parts. Chemicals can damage, weaken, or destroy plastic which can result in serious personal injury.

- Maintain or replace safety and instruction labels, as necessary.

## **LUBRICATION**

All of the bearings in this product are lubricated with a sufficient amount of high grade lubricant for the life of the unit under normal operating conditions. Therefore, no further bearing lubrication is required.

## **STORING THE SNOW BLOWER**

*See Figure 12.*

## **CAUTION:**

Ensure all melted snow that may drip from the snow blower is properly wiped up to prevent a slip and fall hazard.

- Remove the battery and store in a secure location out of the reach of children.
- Before storage, wipe any moisture, dirt, or debris from the battery area.
- Wipe the snow blower with a clean dry cloth.
- Check all nuts, bolts, knobs, screws, fasteners, etc., for tightness.
- Inspect moving parts for damage, breakage, and wear. Have repairs made on any damaged or missing parts.
- Push the handle lock levers outward, lower the upper handle, then pull the levers back to the locked position.

## **NOTICE:**

Do not allow the handle cable to become pinched or trapped when lowering the handle.

- Store snow blower indoors in a clean, dry place out of the reach of children.
- Do not store near corrosive materials such as fertilizer or rock salt.

# TROUBLESHOOTING

IF THESE SOLUTIONS DO NOT SOLVE THE PROBLEM CONTACT YOUR AUTHORIZED SERVICE DEALER.

PROBLEM	POSSIBLE CAUSE	SOLUTION
Handle not in position.	Handle lock levers and/or handle adjustment knobs are not secured.	Make sure handle lock levers and handle adjustment knobs are in the locked position.
Chute is difficult or impossible to turn.	Chute may not be fully seated or may be jammed.	Remove the chute and make sure it is clear of debris. Reinstall chute making sure it is securely locked into place.
Snow blower not starting.	Battery is low in charge. Start button is not depressed.	Charge the battery. Hold start button and engage bail.
The motor is on but the impeller does not turn.	The drive belt is worn or broken.	Have the drive belt replaced by an authorized service center.
After passing, the snow blower leaves a layer of snow on the ground.	The impeller/scrapper mechanism is worn.	Have the impeller/scrapper mechanism replaced by an authorized service center.



## MAKE THE MOST OF YOUR PURCHASE!

Go to <http://register.ryobitools.com> and register your new tool on-line.

Your product has been fully tested prior to shipment to ensure your complete satisfaction.

For any questions about operating or maintaining your product, call the RYOBI Help Line!

**This product has a Five-year Limited Warranty for personal, family, or household use (90 days for business or commercial use).**

**For warranty details, visit [www.ryobitools.com](http://www.ryobitools.com) or call (toll free) 1-800-525-2579.**

# INSTRUCTIONS IMPORTANTES CONCERNANT LA SÉCURITÉ



## AVERTISSEMENT :

**LISEZ ET VEILLEZ À COMPRENDRE TOUTES LES INSTRUCTIONS.** Le non respect des instructions énumérées ci-dessous et sur la machine pourrait résulter en un choc électrique, un incendie, et/ou des blessures sérieuses.

- Apprendre à connaître l'outil. Lire attentivement le manuel d'utilisation. Apprendre les applications et les limites de l'outil, ainsi que les risques spécifiques relatifs à son utilisation. Le respect de cette consigne réduira les risques d'incendie, de choc électrique et de blessures graves.
- Interdire l'utilisation du souffleur à neige aux enfants. Ce n'est pas un jouet.
- Utiliser exclusivement les accessoires recommandés par le fabricant pour le modèle d'outil concerné décrit dans ce manuel. Des accessoires appropriés pour un outil peuvent être dangereux s'ils sont utilisés avec un autre. Utiliser exclusivement selon les instructions de ce manuel.
- Ne pas manipuler le chargeur, la fiche du chargeur et les bornes du chargeur avec des mains humides.
- Ne pas insérer d'objet dans les ouvertures. Ne pas utiliser si une ouverture est bloquée ; veiller à ce que les ouvertures ne soient jamais obstruées par de la poussière, de la peluche, des cheveux ou quoi que ce soit risquant de réduire le flux d'air.
- Garder les cheveux, les vêtements amples, les doigts et toute autre partie du corps à l'écart des ouvertures et pièces en mouvement.
- Désactiver toutes les commandes avant de retirer la pile.
- Ne pas utiliser d'outils dans des atmosphères explosives, en présence de liquides, de gaz ou de poussières inflammables par exemple. Les outils motorisés produisent des étincelles qui risquent d'enflammer les poussières ou les vapeurs.
- Éloigner les badauds, enfants, animaux domestiques et visiteurs à une distance d'au moins 30,5 m (100 pi) pendant l'utilisation d'un outil motorisé. Les distractions peuvent causer une perte de contrôle.
- Les piles d'outils motorisés, qu'elles soient intégrées ou amovibles, ne doivent être rechargées qu'avec le chargeur spécifié. Un chargeur approprié pour un type de pile peut créer un risque d'incendie s'il est utilisé avec un autre type de pile.
- Utiliser exclusivement le bloc-pile spécifiquement indiqué pour l'outil. L'utilisation de toute autre pile peut créer un risque d'incendie.
- Utiliser ce produit seulement avec la piles et le chargeurs indiqués dans le supplément de raccordement pour chargeur/outils/piles/appareil n° 988000-842.
- Ne pas utiliser une chargeur dont la prise ou le cordon sont endommagés au risque de causer un court-circuit et un choc électrique. Le cas échéant, faire remplacer la prise ou le cordon immédiatement par un centre de réparations agréé.
- Si l'appareil ne fonctionne pas correctement, s'il a été échappé, s'il est endommagé, s'il a été laissé à l'extérieur ou s'il est tombé dans l'eau, retourner le produit au centre de réparations.
- Rester attentif, prêter attention au travail et faire preuve de bon sens lors de l'utilisation de tout outil motorisé. Ne pas utiliser cet outil en état de fatigue, vexé ou sous l'influence d'alcool, de drogues ou de médicaments. Un moment d'inattention pendant l'utilisation d'un outil motorisé peut causer des blessures graves.
- Éviter les démarrages accidentels. Le transport d'outils avec le doigt sur la bouton « Start » [démarrer] ou l'insertion du bloc-pile avec la bouton enfoncé présente un risque d'accident.
- Utiliser un équipement de sécurité. Toujours porter des lunettes de protection. Suivant les conditions, le port d'un masque filtrant, de chaussures de sécurité, d'un casque ou d'une protection auditive est recommandé.
- Porter une tenue appropriée — Ne porter ni vêtements amples, foulards, ni bijoux. Ils peuvent être pris dans les parties en mouvement.
- Déconnecter le bloc-piles avant d'effectuer des réglages, de changer d'accessoire ou de remiser l'outil. Ces mesures de sécurité réduisent les risques de démarrage accidentel de l'outil.
- Lorsque le bloc-piles n'est pas utilisé, le tenir à l'écart d'objets métalliques tels que : les attaches trombones, les pièces de monnaie, les clous, les vis et les autres petits objets métalliques risquant d'établir le contact entre les deux bornes. La mise en court-circuit des bornes de piles peut causer des étincelles, des brûlures ou un incendie.
- Vérifier qu'aucune pièce mobile n'est mal alignée ou bloquée, qu'aucune pièce n'est brisée et s'assurer qu'aucun autre problème ne risque d'affecter le bon fonctionnement de l'outil. En cas de dommages, faire réparer l'outil avant de l'utiliser de nouveau. Beaucoup d'accidents sont causés par des outils mal entretenus.
- Garder l'outil et sa poignée secs, propres et exempts d'huile ou de graisse. Toujours utiliser un chiffon propre pour le nettoyage. Ne jamais nettoyer l'outil avec du liquide de frein, de l'essence, des produits à base de pétrole ou des solvants puissants. Le respect de cette règle réduira les risques de perte du contrôle et de dommage du boîtier en plastique.
- Faire preuve d'une très grande prudence lorsque vous opérez l'outil sur une pente.
- Ne jamais permettre à un enfant d'opérer l'équipement. Ne jamais permettre à un adulte d'opérer l'équipement sans instructions adéquates.
- Maintenir ou remplacer les étiquettes de sécurité et d'instruction, au besoin.
- Toujours porter des lunettes de sécurité avec écrans latéraux. Les lunettes de vue ordinaires sont munies seulement de verres résistants aux impacts. Ce ne sont PAS des lunettes de sécurité. Le respect de cette règle réduira les risques de choc électrique.
- Porter des lunettes de sécurité – Toujours porter une protection oculaire avec écrans latéraux certifiée conforme à la norme ANSI Z87.1. Le respect de cette règle réduira les risques de blessures graves.
- Les outils fonctionnant sur piles n'ayant pas besoin d'être branchés sur une prise secteur, ils sont toujours en état de fonctionnement. Tenir compte des dangers possibles lorsque l'outil n'est pas en usage et lors du remplacement des piles. Le respect de cette consigne réduira les risques d'incendie, de choc électrique et de blessures graves.
- Le fonctionnement de la souffleur à neige avec une seule main n'est pas sécuritaire. Ne pas utiliser la souffleur à neige de toute autre façon que celles décrites dans le présent manuel.
- En cas d'usage abusif, du liquide peut s'échapper des batteries. Éviter tout contact avec ce liquide. En cas de contact accidentel, rincer immédiatement les parties atteintes avec de l'eau. Si le liquide pénètre dans vos yeux, il faut aussi consulter un médecin. Le liquide s'échappant des batteries peut causer des irritations ou des brûlures.



# INSTRUCTIONS IMPORTANTES CONCERNANT LA SÉCURITÉ

- Ne pas utiliser un bloc-piles ou un appareil endommagé ou modifié. Les piles endommagées ou modifiées peuvent produire un comportement imprévisible pouvant provoquer un incendie, une explosion ou des blessures.
- Ne pas exposer le bloc-piles ou l'appareil près d'un incendie ou à une température extrême. L'exposition à un incendie ou à une température supérieure à 130 °C (265 °F) représente un risque d'explosion.
- Suivre toutes les instructions afférentes à la recharge et ne pas recharger le bloc-piles ou l'appareil hors des températures spécifiées dans les instructions. Une recharge incorrecte ou hors des températures spécifiées peut endommager la pile et augmenter les risques de feu.
- Ne modifiez pas ou n'essayez jamais de réparer l'appareil ou le bloc de batterie, sauf comme indiqué dans les instructions d'utilisation et d'entretien.
- Ne pas ranger dans des endroits où la température est inférieure à -30 °C (-22°F) ou supérieure à 49 °C (120°F). Ne pas remettre à l'extérieur ou dans un véhicule.
- Ne pas utiliser le appareil dans des endroits où la température est inférieure à -30 °C (-22°F) ou supérieure à 29 °C (85°F).
- Ne pas placer les outils motorisés sans fil ou leurs piles à proximité de flammes ou d'une source de chaleur. Ceci réduira les risques d'explosion et de blessures.
- Ne pas exposer les outils motorisés à la pluie. La pénétration d'eau dans ces outils accroît le risque de choc électrique.
- Porter des pantalons longs, des bottes et des gants. Éviter de porter des vêtements lâches ou des bijoux qui pourraient être pris dans les pièces en mouvement de la machine ou le moteur.
- Porter des bottes de caoutchouc lors de l'utilisation de la souffleuse à neige. Chaussures de protection aura pour protéger vos pieds et améliorer l'équilibre sur des surfaces glissantes. Ne pas travailler pieds nus ou porter de sandales.
- Se tenir bien campé et en équilibre. Ne pas travailler hors de portée de l'outil. Cette façon de travailler pourrait vous faire perdre l'équilibre.
- Ne pas diriger la goulotte vers des personnes ou un animaux. La neige et d'autres objets éjectés représentent un risque de blessures graves.
- Ne jamais utiliser la souffleuse à neige sans les accessoires appropriés installés. S'assurer que le déflecteur de goulotte de la souffleuse à neige est installé.
- Ranger la souffleuse à neige à l'intérieur s'il n'est pas utilisé — Lorsqu'il n'est pas utilisé, l'outil doit être rangé à l'intérieur dans un endroit sec et sous verrou, hors de la portée des enfants.
- Ne pas jeter de bloc-piles gravement endommagé ou usé et ce souffleuse à neige dans un feu. La pile incendiée peut exploser.
- Le service d'outil doit être seulement exécuté par le personnel de réparation qualifié. Entretien ou l'entretien exécuté par le personnel incompetent peut avoir pour résultat un risque de blessure.
- En entretenant un outil, un usage un remplacement seulement identique sépare. Suivre des instructions dans la section d'Entretien de ce manuel. L'usage de parties ou l'échec inautorisées pour suivre les Instructions d'Entretien peuvent créer un risque de choc ou de blessure.
- Ne jamais utiliser la souffleuse à neige à proximité de flammes, d'un foyer, de cendres chaudes, d'un grill, etc. Ne pas respecter cette directive peut faire en sorte que les flammes se propagent, ce qui peut causer des blessures ou des dommages à la propriété.
- Ne jamais utiliser la souffleuse à neige pour répandre des produits chimiques, des fertilisants ou toute autre substance toxique. Le fait de répandre ces substances peut faire en sorte d'infliger des blessures à l'utilisateur ou à des tierces personnes.
- Ne jamais placer la souffleuse à neige en marche sur une surface, sauf si celle-ci est dure et propre. Le gravier, le sable et les autres débris peuvent être aspirés dans l'éloignées de la tarière et projetés en direction de l'utilisateur ou des personnes à proximité, ce qui peut entraîner des blessures graves.
- Examiner la zone de travail avant chaque utilisation. Débarrasser tous les objets tels que cailloux, verre brisé, clous, fils métalliques, cordes, etc. risquant d'être éjectés ou de se prendre dans la machine.
- Ne pas utiliser la souffleuse à neige sur la glace pour éviter de glisser et de chuter et éviter ainsi les blessures graves.
- Ne jamais utiliser la souffleuse à neige sur les lacs et les rivières gelées ou d'autres surfaces semblables. Les bris de la glace représentent un risque de blessures graves ou mortelles.
- Ne jamais utiliser la souffleuse à neige sur un toit ou d'autres surfaces instables pour éviter les blessures graves ou mortelles.
- Pour usage domestique seulement.
- Utilisez l'outil approprié — N'utilisez pas la souffleuse à neige pour aucune tâche sauf celle pour laquelle elle est conçue.
- Ne forcez pas la souffleuse à neige — Elle exécutera le travail mieux et de façon plus sécuritaire à la vitesse pour laquelle elle fut conçue.
- N'éjectez jamais du matériel en direction de quelqu'un. Évitez d'éjecter le matériel sur un mur ou une obstruction. Le matériel pourrait être projeté par ricochet en direction de l'opérateur. Arrêtez la souffleuse à neige quand vous traversez des surfaces recouvertes de gravier ou rocailleuses.
- Si la souffleuse à neige frappe un objet étranger, suivez ces étapes:
  - Arrêter la souffleuse à neige en relâchant poignée en forme d'anse et attendre que l'appareil s'arrête complètement.
  - Retirer le bloc-piles.
  - Inspectez attentivement la souffleuse à neige pour desceller les dommages.
  - Réparez tout dommage avant de démarrer et de continuer à utiliser la souffleuse à neige.
- Ne pas soulever ou tenir la souffleuse à neige au-dessus du sol pendant qu'elle fonctionne pour éviter une perte de contrôle et le risque de blessures graves. Faire uniquement fonctionner la souffleuse à neige conformément aux instructions d'utilisation dans ce manuel d'utilisation.
- Maintenir les dispositifs de protection en place et en bon état de fonctionnement.
- Manipuler soigneusement les souffleuses à neige — Suivre les instructions de lubrification et de changement d'accessoires.
- Arrêter le moteur, attendre que toutes les pièces en mouvement cessent de bouger et retirer le bloc-piles avant tout nettoyage ou entretien.
- Ne jamais utiliser de l'eau ou une autre liquide pour nettoyer ou rincer la produit et n'exposez pas à la pluie. La remettre à l'intérieur dans un endroit sec. Les liquides corrosifs, l'eau et les produits chimiques peuvent s'infiltrer dans le composants électroniques et/ou le compartiment de la pile et endommager

# INSTRUCTIONS IMPORTANTES CONCERNANT LA SÉCURITÉ




les composants électroniques et/ou le bloc-pile, ce qui peut entraîner un court-circuit, augmenter le risque d'incendie ou des blessures corporelles graves. Enlever toute accumulation de la saleté et les débris sur la produit de temps en temps avec un linge sec.

- Faire preuve d'une très grande prudence lorsque vous opérez l'outil sur ou en traversant un chemin de gravier, un trottoir ou une route. Rester vigilant à l'égard des dangers cachés ou de la circulation.
- Dans le cas où l'outil commencera à vibrer anormalement, arrêter le moteur et faire immédiatement une vérification pour la cause. La vibration est généralement un signe d'un problème.






- Ne jamais utiliser la machine à des vitesses de transport élevées sur des surfaces glissantes. Regarder derrière vous et faire attention lorsque vous conduisez en marche arrière.
- Ne jamais utiliser la souffeuse à neige sans une bonne visibilité ou un bon éclairage. Toujours travailler bien d'aplomb; maintenir fermement les poignées. Marcher; ne jamais courir.
- Conserver ces instructions. Les consulter fréquemment et les utiliser pour instruire les autres utilisateurs éventuels. Si cet outil est prêté, il doit être accompagné de ces instructions.

## SYMBOLES

Les termes de mise en garde suivants et leur signification ont pour but d'expliquer le degré de risques associé à l'utilisation de ce produit.








SYMBOLE	SIGNAL	SIGNIFICATION
	<b>DANGER :</b>	Indique une situation dangereuse qui, si elle n'est pas évitée, aura pour conséquences des blessures graves ou mortelles.
	<b>AVERTISSEMENT :</b>	Indique une situation dangereuse qui, si elle n'est pas évitée, pourrait entraîner des blessures graves ou mortelles.
	<b>ATTENTION :</b>	Indique une situation dangereuse qui, si elle n'est pas évitée, pourrait entraîner des blessures légères ou de gravité modérée.
	<b>AVIS :</b>	(Sans symbole d'alerte de sécurité) Indique les informations jugées importantes sans toutefois représenter un risque de blessure (ex. : messages concernant les dommages matériels).

Certains des symboles ci-dessous peuvent être utilisés sur produit. Veiller à les étudier et à apprendre leur signification. Une interprétation correcte de ces symboles permettra d'utiliser produit plus efficacement et de réduire les risques.

SYMBOLE	NOM	DÉSIGNATION / EXPLICATION
	Symbole d'alerte de sécurité	Indique un risque de blessure potentiel.
	Lire manuel d'utilisation	Pour réduire les risques de blessures, l'utilisateur doit lire et veiller à bien comprendre le manuel d'utilisation avant d'utiliser ce produit.
	Protection oculaire	Toujours porter une protection oculaire munie d'écrans latéraux certifiée conforme à la norme ANSI Z87.1.
	Avertissement concernant l'humidité	Ne pas exposer la pile, le compartiment de la pile, ou les composants électroniques à la pluie, l'eau ou d'autres liquides. Ne pas charger la pile ou exposer la produit à la pluie ou des endroits humides.
	Ricochet	Les objets projetés peuvent ricocher et infliger des blessures ou causer des dommages matériels.

# SYMBOLES

Certains des symboles ci-dessous peuvent être utilisés sur produit. Veiller à les étudier et à apprendre leur signification. Une interprétation correcte de ces symboles permettra d'utiliser produit plus efficacement et de réduire les risques.

SYMBOLE	NOM	DÉSIGNATION / EXPLICATION
	Garder les pieds éloignés de la tarière	Garder les pieds éloignés de la tarière en mouvement.
	Garder les mains à l'écart	Garder les mains à l'écart de la rotor et goulotte.
	Tenir les enfants et les curieux à bonne distance	Tenir les enfants et les curieux à une distance de 30,5 m (100 pi) au moins.
	Garder les mains et les pieds à l'écart	Tenir les mains et les pieds éloignées de la tarière en mouvement.
	Éviter les pentes	Ne pas utiliser sur des pentes de plus de 15°. Travailler les pentes dans le sens transversal, jamais en montant ou en descendant.
	Symbole de recyclage	Ce produit utilise les piles de lithium-ion (Li-ion). Les réglementations locales ou gouvernementales peuvent interdire de jeter les piles dans les ordures ménagères. Consulter les autorités locales compétentes pour les options de recyclage et/ou l'élimination.
	Courant continu	Type ou caractéristique du courant
V	Volts	Tension
A	Ampères	Intensité
Hz	Hertz	Fréquence (cycles par seconde)
W	Watt	Puissance
hrs	Heures	Durée

# CARACTÉRISTIQUES

## FICHE TECHNIQUE

Moteur ..... 40 V c.c.  
Largeur de déblaiement ..... 457 mm (18 po)  
Profondeur de dégagement ..... 254 mm (10 po)

Grandeur des roues..... 254 mm (10 po)  
Distance d'éjection..... Jusqu'à 7,6 m (25 pi)

## APPRENEZ À CONNAÎTRE VOTRE SOUFFLEUSE À NEIGE

Voir la figure 1.

L'utilisation sécuritaire de ce produit nécessite une compréhension de l'information sur le produit et dans le manuel de l'utilisation ainsi que la connaissance du projet à effectuer. Avant d'utiliser ce produit, familiarisez-vous avec toutes les fonctions d'utilisation et les règles de sécurité.

## COUVERCLES DE PILE

Les couvercles des piles protègent les logements de piles contre les débris.

## COMPARTIMENT DE RANGEMENT DE PILE

Le compartiment de rangement de pile est un espace pratique pour ranger la pile à la fin de son utilisation ou pour y ranger une pile additionnelle.

## MOTEUR SANS BALAI

Ce produit est équipé d'un moteur sans balai afin de livrer une puissance et une performance optimales et maximiser la durée de vie de la pile.

## POIGNÉE DU DÉFLECTEUR DE GOULOTTE

La poignée du déflecteur de goulotte permet de modifier la distance de la neige éjectée par la goulotte.

## POIGNÉE DE ROTATION DE GOULOTTE

La poignée de rotation de goulotte permet de choisir la direction de la neige éjectée par la souffleuse à neige. Le poignée permet de faire tourner la goulotte jusqu'à 180°.

## PHARES DEL

Les phares DEL sont situés à l'avant de l'appareil pour éclairer la trajectoire lorsque la luminosité est faible. Les phares s'allumeront dès la mise en marche du moteur.

# ASSEMBLAGE

## DÉBALLAGE

Ce produit nécessite l'assemblage.

- Retirez prudemment l'outil et les accessoires de la boîte. Assurez-vous que tous les articles énumérés sur la **Liste d'expédition** sont inclus.



### AVERTISSEMENT :

Ne pas utiliser le produit si, en le déballant, vous constatez que des éléments figurant sur la **Liste d'expédition** sont déjà assemblés. Certaines pièces figurant sur cette liste n'ont pas été assemblées par le fabricant et exigent une installation. Le fait d'utiliser un produit qui a été assemblé de façon inadéquate peut entraîner des blessures.

- Vérifiez attentivement si l'outil n'a pas subi des dommages ou des bris pendant le transport.
- Ne jetez pas l'emballage avant d'avoir inspecté l'outil et avant d'avoir vérifié s'il fonctionne correctement.
- Si des pièces sont manquantes ou endommagées, veuillez appeler au 1-800-525-2579 pour obtenir de l'aide.

## LISTE D'EXPÉDITION

Souffleuse à neige  
Déflecteur de goulotte  
Poignée de rotation de goulotte  
Sachet de quincaillerie  
Outil d'assemblage  
Manuel d'utilisation



### AVERTISSEMENT :

Pour éviter le risque de blessures, ne pas opérer l'outil sans avoir la goulotte de décharge en place.

# ASSEMBLAGE

## **AVERTISSEMENT :**

Si des pièces manquent ou sont endommagées, ne pas utiliser ce produit avant qu'elles aient été remplacées. Le fait d'utiliser ce produit même s'il contient des pièces endommagées ou s'il lui manque des pièces peut entraîner des blessures graves.

## **AVERTISSEMENT :**

N'essayez pas de modifier cet outil ou de créer des accessoires non recommandés pour utilisation avec ce produit. Toute transformation ou modification de ce genre est un cas de mauvais usage qui peut créer des risques de blessures graves.

## **AVERTISSEMENT :**

Ne insérer le bloc-piles compléter l'assemblage vous êtes prêt à utiliser la souffleuse à neige. Le non respect de cet avertissement pourrait résulter en un démarrage accidentel et des blessures corporelles graves.

## **AVERTISSEMENT :**

Pour empêcher commencer accidentel, ne pas faire d'ajustement ou des installations avec le bloc-piles insérée. Le démarrage accidentel de la souffleuse à neige pendant l'assemblage peut entraîner des blessures graves.

## **INSTALLATION ET AJUSTEMENT ENSEMBLE DE POIGNÉE**

*Voir les figures 2 et 3.*

### **AVIS :**

Éviter de coincer ou d'emprisonner le câble de poignée lors de l'alignement des poignées.

- Déverrouiller les leviers de réglage de la poignée.
- Relever la poignée inférieure.
- Relever la poignée supérieure. Éviter de pincer ou de coincer les câbles.
- Aligner la poignée supérieure avec l'ouverture de la poignée inférieure. Insérez la poignée supérieure dans la poignée inférieure.

**NOTE :** S'assurer que le câble du démarreur est acheminé le long de l'intérieur de l'assemblage et n'est pas coincé, plié ou enroulé autour de ce dernier.

- Aligner le trou de la poignée supérieure avec le trou de la poignée inférieure.
- Insérer le boulon dans le trou latéral des poignées inférieures/supérieures.
- Installer un écrou de blocage. Serrer fermement à l'aide de l'outil d'assemblage inclus et d'une clé réglable (non incluse).
- Répéter les mêmes étapes pour l'autre côté.
- Remettre les leviers de réglage de la poignée en position verrouillée afin de sécuriser la poignée en place.

## **AJUSTEMENT DU LEVIER DE REGLAGE DE LA POIGNÉE**

*Voir le figure 2.*

Si les leviers de réglage de la poignée ne se verrouillent pas fermement, il faut alors ajusté le bouton de réglage de la poignée se trouvant à l'intérieur des leviers.

- Déplacer les leviers de réglage de la poignée en position déverrouillée.
- Réglage le bouton de réglage de la poignée jusqu'à ce que les leviers de réglage de la poignée se ferment bien en position verrouillée.

**NOTE :** Éviter le serrage excessif. Il n'est pas nécessaire d'exercer une force excessive pour placer les leviers de réglage de la poignée en position verrouillée. S'ils sont trop serrés, desserrer le bouton de réglage de la poignée légèrement jusqu'à ce que les leviers se verrouillent.

- Remettre les leviers de réglage de la poignée en position verrouillée afin de sécuriser la poignée en place.

## **INSTALLATION DU DÉFLECTEUR DE GOULOTTE**

*Voir les figures 4 à 6.*

- Insérer le déflecteur de goulotte dans la souffleuse à neige et veiller à ce que le fleche s'aligne sur le point en position déverrouillé comme illustré.
- Presser et tourner le déflecteur de goulotte jusqu'à ce que la languette s'aligne sur le point en position verrouillée et que le bouton de dégagement s'enclenche en position verrouillée.
- Insérer le vis de cruciforme dans les trou et serrer fermement. Ne serrez pas excessivement.

### **Pour fixer la poignée de rotation de la goulotte :**

- Aligner le Ehandle avec les trous à la base de la goulotte.
- Fixer les vis et les serrer fermement.

# UTILISATION

## **AVERTISSEMENT :**

Ne laissez pas la familiarité tirée d'une utilisation fréquente de ce type de produit atténuer votre vigilance. Souvenez-vous qu'une fraction de seconde d'inattention suffit à infliger des blessures graves.

## **AVERTISSEMENT :**

Toujours porter une protection oculaire munie d'écrans latéraux certifiée conforme à la norme ANSI Z87.1. Si cette précaution n'est pas prise, des objets peuvent être projetés dans les yeux et causer des lésions graves.

## **AVERTISSEMENT :**

N'utilisez aucun ajout ni accessoire non-recommandé par le fabricant de ce produit. L'utilisation des ajouts ou des accessoires non recommandés pourrait résulter en des blessures corporelles graves.

## **AVIS :**

Avant chaque utilisation, inspecter au complet le produit afin de s'assurer qu'aucune pièce (vis, écrous, boulons, chapeaux, etc.) n'est endommagée, manquante ou desserrée. Serrer solidement toutes les pièces de fixation et les chapeaux et ne pas utiliser le produit tant que toutes les pièces manquantes ou endommagées n'ont pas été remplacées. Pour obtenir de l'aide, veuillez communiquer avec le service à la clientèle ou un centre de réparations agréé.

## **APPLICATIONS**

Vous pouvez utiliser cet outil pour les tâches énumérées ci-dessous :

- Pour enlever la neige des endroits désirés comme les allées et les trottoirs

## **AVERTISSEMENT :**

Toujours retirer la bloc-pile ou débrancher l'outil de la source d'alimentation au moment d'assembler des pièces, d'effectuer des réglages et de procéder au nettoyage, ou lorsque l'outil n'est pas utilisé. Cela permet d'empêcher un démarrage accidentel pouvant entraîner des blessures graves.

## **INSTALLATION / RETRAIT DU BLOC-PILES**

*Voir la figure 7.*

### **Installation du bloc-piles :**

- Ouvrir la couvercle de pile.
- Aligner la nervure en saillie du bloc-piles sur la rainure du logement du souffleuse à neige et insérer le bloc-piles dans le souffleuse à neige.

## **AVERTISSEMENT :**

S'assurer que le loquet au bas du bloc-piles s'enclenche et que le bloc-piles est installé et fixé correctement au souffleuse à neige avant de commencer le travail. Ne pas installer et fixer correctement le bloc-piles peut provoquer la chute de ce dernier et occasionner des blessures graves.

- Fermeture la couvercle des piles.

### **Retrait du bloc-piles :**

- Ouvrir la couvercle des piles.
- Appuyer sur le loquet sur le bas du bloc-piles pour le séparer du souffleuse à neige.
- Retirer le bloc-piles du souffleuse à neige.

## **AVERTISSEMENT :**

Toujours, retirer le bloc-piles lorsque du déplacement ou transporte cet outil pour éviter les blessures graves.

Pour des instructions complètes d'utilisation et de charge complètes, consultez les manuels d'utilisation de votre bloc de batteries et de votre chargeur.

## **DÉMARRAGE / ARRÊT DE LA SOUFFLEUSE À NEIGE**

*Voir la figure 8.*

- Installer le bloc-piles comme décrit précédemment.
- Appuyer et maintenir enfoncé sur le bouton de démarrer. Tirer la barre vers la poignée et relâcher le bouton de démarrer dès que la souffleuse à neige démarre.
- Pour arrêter la souffleuse à neige, relâcher la barre.

## **AJUSTEMENT DE LA GOULOTTE**

*Voir les figures 9 à 11.*

La goulotte peut être ajustée pour modifier la direction et la distance pour faciliter le déplacement de la neige et l'éjecter vers un autre endroit.

La **direction** d'enlèvement de la neige peut être ajustée jusqu'à 180°.

- **Pour faire tourner la goulotte :** À l'aide de la poignée de rotation de la goulotte, faire tourner la goulotte jusqu'à ce qu'elle s'enclenche dans la position souhaitée sur la plaque de verrouillage de la goulotte.

# UTILISATION

La **distance** d'éjection de la neige s'ajuste à l'aide de la poignée du déflecteur de goulotte.

- Appuyer sur le loquet du déflecteur et déplacer le déflecteur de goulotte vers l'arrière (haut) pour augmenter la distance d'éjection de la neige.

## AVERTISSEMENT :

Ne pas pousser le déflecteur trop loin vers l'avant pour éviter de créer un espace entre le déflecteur et la goulotte. La neige ou les autres débris peuvent être éjectés par cet espace vers l'opérateur et le blesser gravement.

- Appuyer sur le loquet du déflecteur et déplacer le déflecteur de goulotte vers l'avant (bas) pour diminuer la distance d'éjection de la neige.

## CONSEILS D'UTILISATION

### AVERTISSEMENT :

Ne jamais utiliser la souffleuse à neige sur les lacs et les rivières gelées ou d'autres surfaces semblables. Les bris de la glace représentent un risque de blessures graves ou mortelles.

### AVERTISSEMENT :

Ne jamais utiliser la souffleuse à neige sur un toit ou d'autres surfaces instables pour éviter les blessures graves ou mortelles.

### AVERTISSEMENT :

Ne pas utiliser la souffleuse à neige sur la glace pour éviter de glisser et de chuter et éviter ainsi les blessures graves.

### AVERTISSEMENT :

Ne pas porter de vêtements lâches, de foulards, ni de bijoux. Ils peuvent se coincer dans les pièces mobiles et occasionner des blessures graves ou mortelles.

### AVERTISSEMENT :

Placez l'évacuation de la neige loin de tout appareil électrique afin de réduire le risque d'électrocution ou de choc électrique.

### AVERTISSEMENT :

Ne jamais orienter la souffleuse à neige ou la goulotte vers des personnes ou des animaux. La neige et d'autres objets éjectés représentent un risque de blessures graves.

### AVERTISSEMENT :

S'assurer que la zone ne comporte pas de pierres, bâtons, fils métalliques, gravier et autres objets pouvant être éjectés accidentellement dans toutes les directions par la souffleuse à neige et occasionner des blessures graves à l'opérateur ou à d'autres personnes.

- Si la souffleuse à neige frappe une obstruction quelconque ou des débris pendant le déblaiement, arrêter la souffleuse à neige, retirer le bloc-piles, enlever l'obstruction et inspecter soigneusement la souffleuse à neige pour s'assurer qu'elle n'est pas endommagée avant de reprendre le travail.

### AVERTISSEMENT :

Ne jamais tenter d'atteindre ou de placer une partie du corps à l'intérieur de la goulotte pendant que vous êtes devant la souffleuse à neige en marche ou lorsque le bloc-piles est installé. Toujours s'assurer que les pièces mobiles sont arrêtées et que le bloc-piles est retiré avant de dégager les obstructions. Des blessures graves peuvent survenir si ces instructions ne sont pas respectées.

- Tenir compte de la direction du vent avant de commencer. Si possible, éjecter la neige dans la même direction que le vent pour éviter que cette dernière ne soit retournée vers votre visage.
- Certaines pièces de la souffleuse à neige peuvent geler lorsque la température est extrêmement froide. Ne pas tenter de faire fonctionner la souffleuse à neige avec des pièces gelées.
- À la fin du déneigement, laisser fonctionner le moteur pendant quelques minutes puis tourner plusieurs fois le levier de rotation de goulotte pour enlever la neige résiduelle de la goulotte.

# ENTRETIEN

## **AVERTISSEMENT :**

Lors de réparation du produit, s'assurer que la pile et la clé de fusible de la souffleuse à neige ont été retirées afin d'éviter un démarrage accidentel et des blessures graves.

## **AVERTISSEMENT :**

Toujours porter une protection oculaire munie d'écrans latéraux certifiée conforme à la norme ANSI Z87.1. Si cette précaution n'est pas prise, des objets peuvent être projetés dans les yeux et causer des lésions graves.

## **AVERTISSEMENT :**

Utiliser exclusivement des pièces autorisées pour les réparations. L'usage de toute autre pièce pourrait créer une situation dangereuse ou endommager le produit.

## **AVERTISSEMENT :**

Ne jamais utiliser de l'eau ou une autre liquide pour nettoyer ou rincer la produit et n'exposez pas à la pluie. La remise à l'intérieur dans un endroit sec. Les liquides corrosifs, l'eau et les produits chimiques peuvent s'infiltrer dans le composants électroniques et/ou le compartiment de la pile et endommager les composants électroniques et/ou le bloc-pile, ce qui peut entraîner un court-circuit, augmenter le risque d'incendie ou des blessures corporelles graves. Enlever toute accumulation de la saleté et les débris sur la produit de temps en temps avec un linge sec.

## **AVIS :**

Inspecter périodiquement au complet le produit afin de s'assurer qu'aucune pièce (vis, écrous, boulons, chapeaux, etc.) n'est endommagée, manquante ou desserrée. Serrer solidement toutes les pièces de fixation et les chapeaux et ne pas utiliser le produit tant que toutes les pièces manquantes ou endommagées n'ont pas été remplacées. Pour obtenir de l'aide, veuillez communiquer avec le service à la clientèle ou un centre de réparations agréé.

## **ENTRETIEN GÉNÉRAL**

Évitez d'utiliser des solvants quand vous nettoyez des pièces en plastique. La plupart des plastiques résistent mal aux plusieurs types de solvants de commerce et peuvent être endommagés par leur utilisation. Utilisez des chiffons secs pour enlever la saleté, la poussière, l'huile, la graisse, etc.

## **AVERTISSEMENT :**

Ne permettez jamais à ce que les liquides pour freins, la gazoline, les produits à base de pétrole, les huiles dégrippantes, etc entrent en contact avec les pièces en plastique. Les produits chimiques peuvent endommager, affaiblir ou détruire le plastique ce qui peut résulter en des blessures graves.

- Maintenir ou remplacer les étiquettes de sécurité et d'instruction, au besoin.

## **LUBRIFICATION**

Tous les roulements de cet outil sont lubrifiés à l'aide d'une quantité suffisante de lubrifiant de haute qualité pour toute la durée de l'outil dans des conditions normales d'utilisation. Alors, aucune lubrification ultérieure n'est nécessaire.

## **ENTREPOSAGE DE LA SOUFFLEUSE À NEIGE**

*Voir la figure 12.*

## **ATTENTION :**

S'assurer que toute la neige fondue pouvant tomber de la souffleuse à neige est complètement essuyée pour éviter les risques de glissement ou de chute.

- Retirez la pile et emmagasiner dans un emplacement assuré de la portée d'enfants.
- Avant de ranger le produit, essuyer toute humidité, saleté ou tout débris se trouvant dans l'environnement de la pile.
- Essuyez la souffleuse à neige avec un chiffon propre et sec.
- Vérifiez si les écrous, les boulons, les boutons, les vis, les attaches, etc sont serrés.
- Vérifiez si les pièces détachables ne sont pas endommagées, brisées ou usées. Faites réparer toutes les pièces manquantes ou endommagées.
- Pousser les leviers de verrouillage de la poignée vers l'extérieur, abaisser la poignée supérieure, puis ramener les leviers en position verrouillée.

## **AVIS :**

eiller à ne pas pincer ou d'attraper le câble de poignée lors du l'abaissement du poignée.

- Entrez la souffleuse à neige à l'intérieur dans un endroit propre et sec, loin de la portée des enfants.
- N'entrez pas près des matériaux corrosifs tels que les engrais ou le sel gemme.



# DÉPANNAGE

SI LES PRÉSENTES SOLUTIONS NE RÉSOLVENT PAS LE PROBLÈME, CONTACTER LE CENTRE DE RÉPARATIONS AGRÉÉ.

PROBLÈME	CAUSE POSSIBLE	SOLUTION
Poignée en mauvaise position.	Les leviers de blocage de la poignée et/ou les boutons de réglage de la poignée ne sont pas fixés correctement.	S'assurer que les leviers de blocage de la poignée sont complètement assis et que les boutons de réglage de la poignée sont correctement fermés.
Il est difficile ou impossible de tourner la goulotte.	La goulotte n'est peut-être pas complètement en place ou est peut-être bloquée.	Retirer la goulotte et s'assurer qu'elle est exempte de débris. Réinstaller la goulotte en vous assurant qu'elle est bien verrouillée en place.
La souffleuse à neige ne démarre pas.	La pile est basse dans la charge. Le bouton de démarrage n'est pas enfoncé.	Charger le bloc-pile. Maintenir le bouton de démarrage et engager la barre.
Le moteur fonctionne, mais la tarière ne tourne pas.	La courroie d'entraînement est usée ou brisée.	Faire remplacer la courroie d'entraînement dans un centre de réparations agréé.
Après le passage, la souffleuse à neige laisse une couche de neige au sol.	Le mécanisme de la tarière ou de lame racleuse est usé.	Faire remplacer le mécanisme de la tarière ou de lame racleuse par un centre de réparation agréé.



## TIREZ LE MEILLEUR PARTI DE VOTRE ACHAT!

Visitez le site <http://register.ryobitools.com> pour enregistrer votre nouvel outil en ligne.

Ce produit a été entièrement testé avant expédition pour assurer la complète satisfaction de l'utilisateur.

Pour toute question concernant l'utilisation ou l'entretien du produit, appeler le service d'assistance téléphonique RYOBI !

**Ce produit est accompagné d'une garantie limitée de cinq (5) ans pour utilisation personnel, familiales ou domestiques (90 jours pour utilisation affaires ou commerciaux). Pour obtenir les détails de la garantie, visiter le site [www.ryobitools.com](http://www.ryobitools.com) ou appeler (sans frais) au 1-800-525-2579.**

# INSTRUCCIONES DE SEGURIDAD IMPORTANTES



## ADVERTENCIA:

**LEA Y COMPRENDA TODAS LAS INSTRUCCIONES.** El incumplimiento de las instrucciones señaladas abajo y en la máquina puede causar descargas eléctricas, incendios y/o lesiones serias.

- Familiarícese con el equipo quitanieve eléctrica. Lea cuidadosamente el manual del operador. Aprenda sus usos y limitaciones, así como los posibles peligros específicos de esta equipo quitanieve. Con el cumplimiento de esta regla se reduce el riesgo de una descarga eléctrica, incendio o lesión seria.
- No permita que los niños usen el equipo quitanieve. No es un juguete.
- Sólo utilice accesorios recomendados por el fabricante para cada modelo en particular se describe en este manual. Accesorios que pueden ser adecuados para una equipo quitanieve pueden significar un riesgo de lesiones si se emplean con otra equipo quitanieve. Sólo utilice el producto de la forma descrita en este manual.
- No manipule el cargador, incluso la clavija del cargador y las terminales del cargador, con las manos mojadas.
- No coloque ningún objeto en las aberturas. No la utilice con ninguna abertura bloqueada; manténgalas libres de polvo, pelusa, pelo y cualquier cosa que pueda reducir el flujo de aire.
- Mantenga el cabello, la ropa holgada, los dedos y todas las partes del cuerpo alejados de las aberturas y piezas móviles de la unidad.
- Apague todos los controles antes de extraer la batería.
- No utilice equipo quitanieves en entornos explosivos, como los existentes alrededor de líquidos, gases y polvos inflamables. El equipo quitanieves eléctricas generan chispas que pueden encender el polvo y los vapores inflamables.
- Mantenga alejados a transeúntes, niños, mascotas y demás presentes por lo menos a 30,5 metros (100 pies) de distancia al utilizar una equipo quitanieve eléctrica. Toda distracción puede causar la pérdida del control del equipo quitanieve.
- Toda equipo quitanieve que utiliza baterías, ya sea integradas o separadas, debe recargarse únicamente con el cargador especificado para la batería. Un cargador que puede ser adecuado para un tipo de batería puede significar un riesgo de incendio si se emplea con otro tipo de batería.
- Utilice el equipo quitanieve con la batería específicamente indicada. El empleo de otras baterías puede presentar un riesgo de incendio.
- Usar este producto únicamente con la baterías y el cargadores indicados en el folleto de la herramienta/aparato/paquete de baterías/cargador complementario 988000-842.
- No utilice la cargador si está dañado el cable o la clavija, ya que podría causar un cortocircuito y una descarga eléctrica. Si el cargador se encuentra dañado, un técnico de centro de servicio autorizado.
- Si el aparato de mano no está funcionando adecuadamente, se dejó caer, se dañó, se dejó a la intemperie, o se dejó caer dentro del agua, regrésela al centro de servicio autorizado.
- Permanezca alerta, preste atención a lo que esté haciendo y aplique su sentido común al utilizar el equipo quitanieve eléctrica. No utilice el equipo quitanieve si está cansado, trastorno o se encuentra bajo los efectos de alguna droga, alcohol o medicamento. Un momento de inatención al utilizar el equipo quitanieve eléctrica puede causar lesiones corporales de gravedad.
- Evite el arranque accidental de la unidad. Llevar el equipo quitanieve con el dedo en el botón de arranque o instalar la batería en el equipo quitanieve con el botón de arranque activado es causa común de accidentes.
- Póngase equipo de seguridad. Siempre póngase protección ocular. Cuando lo exijan las circunstancias, debe ponerse careta contra el polvo, zapatos de seguridad antiderrapantes, casco y protección auditiva.
- Vístase adecuadamente — No vista ropas holgadas, pañuelos ni joyas. Pueden quedar atrapadas en las piezas móviles.
- Antes de efectuar ajustes, de cambiar accesorios o de guardar el equipo quitanieve, desconecte la batería del equipo quitanieve. Tales medidas preventivas de seguridad reducen el riesgo de poner en marcha accidentalmente el equipo quitanieve.
- Cuando no esté usando la batería, manténgala alejada de objetos metálicos tales como: clips, monedas, llaves, clavos, tornillos y otros objetos metálicos pequeños que puedan establecer una conexión entre ambos terminales. Al establecer una conexión directa entre los dos terminales se puede causar chispas, quemaduras o incendios.
- Revise si las piezas móviles están desalineadas o atoradas, si hay piezas rotas o toda otra condición que pudiese afectar el funcionamiento del equipo quitanieve. Si se daña el equipo quitanieve, llévela a servicio antes de volver a utilizarla. Numerosos accidentes son causados por equipo quitanieves mal cuidadas.
- Mantenga el equipo quitanieve y su mango secos, limpios y sin aceite ni grasa. Siempre utilice un paño limpio para la limpieza de la unidad. Nunca utilice fluidos para frenos, gasolina, productos a base de petróleo ni solventes fuertes para limpiar el equipo quitanieve. Con el cumplimiento de esta regla se reduce el riesgo de una pérdida de control y el deterioro de la carcasa de plástico de la unidad.
- Cuando use la unidad en pendientes, tenga extremo cuidado.
- Nunca permita que los niños usen el equipo. Nunca permita que los adultos usen el equipo sin instrucción apropiada.
- Mantenga y reemplace las etiquetas de seguridad y de instrucciones según sea necesario.
- Siempre use gafas de seguridad con protección lateral. Los anteojos comunes sólo tienen lentes resistentes a los impactos. NO son anteojos de seguridad. Con el cumplimiento de esta regla se reduce el riesgo de posibles lesiones oculares.
- Utilice gafas de seguridad. — Siempre póngase protección ocular con la marca de cumplimiento de la norma ANSI Z87.1. Con el cumplimiento de esta regla se reduce el riesgo de lesiones serias.
- El equipo quitanieve de baterías no se necesitan conectar a una toma de corriente; por lo tanto, siempre están en condiciones de funcionamiento. Esté consciente de los posibles peligros cuando no esté usando el equipo quitanieve de baterías o cuando esté cambiando los accesorios de la misma. Con el cumplimiento de esta regla se reduce el riesgo de una descarga eléctrica, incendio o lesión corporal seria.
- Es inseguro operar el equipo quitanieve en la posición manual. No use el equipo quitanieve de ninguna manera distinta a la especificada en el manual.
- Si se somete la batería a condiciones extremas, esta puede despedir un líquido. Evite entrar en contacto con ese líquido. Si se produce un contacto accidental, lávese con agua. Si el

# INSTRUCCIONES DE SEGURIDAD IMPORTANTES

líquido entra en contacto con los ojos, también busque atención médica. El líquido que sale expulsado de la batería puede provocar irritaciones o quemaduras.

- No utilice un paquete de baterías o un artefacto que esté dañado o modificado. Las baterías dañadas o modificadas pueden tener un funcionamiento impredecible que provoque incendios, explosiones o riesgo de lesiones.
- No exponga el paquete de baterías o el artefacto al fuego o a temperaturas excesivas. La exposición al fuego o a temperaturas sobre los 130 °C (265 °F) puede provocar explosiones.
- Siga todas las instrucciones de carga y no cargue el paquete de baterías ni el aparato fuera del rango de temperaturas especificado en las instrucciones. Si realiza la carga en forma incorrecta o fuera de las temperaturas del rango especificado puede dañar la batería y aumentar el riesgo de incendios.
- No modifique ni intente reparar el dispositivo o el paquete de baterías, excepto según se indica en las instrucciones de uso y mantenimiento.
- No guarde la unidad en lugares donde la temperatura sea inferior a -30 °C (-22 °F) o superior a 49 °C (120 °F). No guarde la unidad al aire libre ni en el interior de vehículos.
- No utilice el aparato en lugares donde la temperatura sea inferior a -30 °C (-22 °F) o superior a 29 °C (85 °F).
- No coloque el equipo quitanieve de baterías ni las baterías mismas cerca del fuego o del calor. De esta manera se reduce el riesgo de explosiones y de lesiones.
- No exponga las equipo quitanieves eléctricas a la lluvia. La introducción de agua en una equipo quitanieve eléctrica aumenta el riesgo de descargas eléctricas.
- Póngase pantalones, botas y guantes gruesos. Evite ropas holgadas o joyas que pudieran resultar atrapadas en piezas móviles de la máquina o del motor.
- Utilice botas de goma cuando haga funcionar el equipo quitanieve. Calzado de seguridad protegerá sus pies y mejore su postura en superficies resbaladizas. No camine descalzo o use sandales.
- Mantenga los pies bien afirmados y el equilibrio. No trate de alcanzar demasiado lejos. Se puede perder el equilibrio al tratar de alcanzar demasiado lejos.
- No apunte la vertedor de descarga del equipo quitanieve hacia personas o mascotas. La nieve o otros objetos arrojados pueden provocar lesiones personales graves.
- Nunca utilice la unidad sin el equipo adecuado instalado. Asegúrese siempre de que esté instalado el deflector del vertedor del equipo quitanieve.
- Guarde el equipo quitanieve que no esté usando en el interior — Mientras no se esté utilizando, el equipo quitanieve debe almacenarse en el interior, en un sitio seco y bajo llave, lejos del alcance de los niños.
- No incinere esta equipo quitanieve o un paquete de baterías desgastado o dañado seriamente. La batería puede explotar si se la expone al fuego.
- El servicio del instrumento debe ser realizado sólo por personal calificado de reparación. Atienda a o la conservación realizada por el personal sin título puede tener como resultado un riesgo de la herida.
- Al atender a un instrumento, el uso el reemplazo sólo idéntico despiden. Siga las instrucciones en la sección de la Conservación de este manual. El uso de partes o fracaso no autorizados seguir

la Conservación las Instrucciones pueden crear un riesgo del golpe o la herida.

- Nunca utilice el soplador cerca del fuego, chimeneas, cenizas al rojo vivo, asadores, etc. El uso cerca del fuego o las cenizas calientes puede propagar incendios y producir lesiones serias y/o daños a los bienes.
- Nunca use una equipo quitanieve para esparcir productos químicos, fertilizantes ni ninguna otra sustancia tóxica. Esparcir estas sustancias podría producir lesiones serias al operador o a las personas presentes.
- Nunca coloque el soplador en ninguna superficie, excepto que sea una superficie dura y limpia cuando el motor se encuentra en funcionamiento. Es posible que el impulsor recoja grava, arena y otros residuos y los arroje al operador o a los espectadores, lo que puede causar lesiones serias.
- Revise el área de trabajo cada vez antes de usar la unidad. Retire todos los objetos como piedras, vidrio roto, clavos, alambre o cuerda que puedan salir disparados o enredarse en la máquina.
- No utilice el equipo quitanieve en el hielo, ya que puede provocar que el operador se resbale y caiga, causando posibles lesiones personales graves.
- Nunca utilice el equipo quitanieve en lagos, ríos o pequeñas superficies congelados. Si el hielo se rompe, pueden producirse lesiones graves o la muerte.
- Nunca utilice el equipo quitanieve en el techo o en cualquier otra superficie inestable, ya que puede provocar lesiones personales graves o la muerte.
- Para uso doméstico únicamente.
- Utilice el aparato adecuado para la tarea — No utilice el equipo quitanieve para ninguna función diferente de las especificadas.
- No fuerce el equipo quitanieve — Efectúa el trabajo mejor y de manera más segura, si se utiliza a la velocidad para la que está diseñada.
- Nunca dirija el material descargado hacia una persona. Evite descargar el material contra una pared u obstrucción. El material puede rebotar hacia el operador. Detenga el equipo quitanieve cuando cruce por superficies de grava o rocosas.
- Si el equipo quitanieve golpea un objeto extraño, siga estos pasos:
  - Detenga el equipo quitanieve por la soltando el mango de asa y espere hasta que la unidad se detenga por completo.
  - Retire el paquete de baterías.
  - Inspeccione minuciosamente el equipo quitanieve para ver si tiene daños.
  - Repare todo daño antes de volver a arrancar el equipo quitanieve y continuar utilizándola.
- No levante ni sostenga el equipo quitanieve por encima del suelo cuando lo haga funcionar, ya que esto puede provocar la pérdida del control y posibles lesiones personales graves. Utilice el equipo quitanieve únicamente conforme a las instrucciones especiales para su uso que se proporcionan en el manual del operador.
- Mantenga las protecciones en su lugar y en perfectas condiciones.
- Realice el mantenimiento del equipo quitanieve con cuidado — Siga las instrucciones para lubricar y cambiar accesorios.
- Apague el motor, espere hasta que todas las piezas se detengan y desconecte del suministro de alimentación (or retire la paquete de baterías) antes al limpiarla o darle mantenimiento.

# INSTRUCCIONES DE SEGURIDAD IMPORTANTES

- Nunca use agua ni otros líquidos para limpiar o enjuagar la product y no esponga la unidad a la lluvia. Almacene la unidad en el interior en un lugar seco. Los líquidos corrosivos, el agua, y los productos químicos pueden ingresar los componentes eléctricos del producto y/o al compartimiento de la batería y dañar los componentes eléctricos o el paquete de la batería, lo que podría resultar en un corto circuito, mayor riesgo de incendio y lesiones personales graves. Retire la acumulación de suciedad y los residuos limpiando el producto con un trapo seco de manera ocasional.
- Tenga extremo cuidado cuando cruce o use la unidad en caminos de ripio. Manténgase alerta por si se presentan peligros o tráfico ocultos.
- Si la unidad se enciende y vibra de forma anormal, detenga el motor y haga una verificación de inmediato para buscar la causa. La vibración es generalmente una advertencia de problemas.
- Nunca opere la máquina a altas velocidades de transporte en superficies resbaladizas. Mire hacia atrás y tenga cuidado al operar la herramienta en reversa.
- Nunca opere el equipo quitanieve sin buena visibilidad o luz. Siempre asegúrese de su postura; sujete firmemente el manubrio. Camine; nunca corra.
- Guarde estas instrucciones. Consúltelas con frecuencia y empléelas para instruir a otras personas que puedan utilizar esta herramienta. Si presta a alguien esta herramienta, facilítele también las instrucciones con el fin de evitar un uso indebido del producto y posibles lesiones.

## SÍMBOLOS

Las siguientes palabras de señalización y sus significados tienen el objeto de explicar los niveles de riesgo relacionados con este producto.







SÍMBOLO	SEÑAL	SIGNIFICADO
	<b>PELIGRO:</b>	Indica una situación peligrosa, la cual, si no se evita, causará la muerte o lesiones serias.
	<b>ADVERTENCIA:</b>	Indica una situación peligrosa, la cual, si no se evita, podría causar la muerte o lesiones serias.
	<b>PRECAUCIÓN:</b>	Indica una situación peligrosa, la cual, si no se evita, puede causar lesiones leves o moderadas.
	<b>AVISO:</b>	(Sin el símbolo de alerta de seguridad) Indica la información que se considera importante, pero no relacionada con lesiones potenciales (por ej. en relación a daños a la propiedad).

Es posible que se empleen en este producto algunos de los siguientes símbolos. Le suplicamos estudiarlos y aprender su significado. Una correcta interpretación de estos símbolos le permitirá utilizar mejor y de manera más segura el producto.

SÍMBOLO	NOMBRE	DENOMINACIÓN/EXPLICACIÓN
	Alerta de seguridad	Indica un peligro posible de lesiones personales.
	Lea manual del operador	Para reducir el riesgo de lesiones, el usuario debe leer y comprender el manual del operador antes de usar este producto.
	Protección ocular	Siempre póngase protección ocular con protección lateral con la marca de cumplimiento de la norma ANSI Z87.1.
	Alerta de condiciones húmedas	No esponga la batería, el compartimiento de la batería o componentes electrónicos a la lluvia, el agua o líquidos. No esponga la producto a la lluvia o a lugares húmedos, ni cargue la batería en esas condiciones.
	Rebote	Cualquier objeto lanzado puede rebotar y producir lesiones personales o daños físicos.

# SÍMBOLOS

Es posible que se empleen en este producto algunos de los siguientes símbolos. Le suplicamos estudiarlos y aprender su significado. Una correcta interpretación de estos símbolos le permitirá utilizar mejor y de manera más segura el producto.

SÍMBOLO	NOMBRE	DENOMINACIÓN/EXPLICACIÓN
	Mantenga los pies lejos del impulsor	Mantenga los pies lejos del impulsor giratorio.
	Mantenga las manos alejados.	Mantenga las manos alejados el impulsor y vertedor de descarga.
	Mantenga alejados a los niños y circunstantes	Mantenga a los niños y otras personas alejadas a una distancia mínima de 30,5 m (100 pies).
	Mantenga las manos y los pies alejados	Mantenga las manos y los pies lejos del impulsor giratorio.
	No utilizar sobre pendientes	No utilice el equipo quitanieve sobre pendientes superiores a los 15°. Camine a través de sobre la superficie de las pendientes y nunca de arriba a abajo.
	Símbolo de reciclado	Este producto utiliza baterías de iones de litio (Li-ion). Es posible que algunas leyes municipales, estatales o federales prohíban desechar las baterías en la basura normal. Consulte a las autoridades reguladoras de desechos para obtener información en relación con las alternativas de reciclado y desecho disponibles.
==	Corriente continua	Tipo o característica de corriente
V	Volts	Voltaje
A	Amperes	Corriente
Hz	Hertz	Frecuencia (ciclos por segundo)
W	Watts	Potencia
hrs	Horas	Tiempo

# CARACTERÍSTICAS

## ESPECIFICACIONES DEL PRODUCTO

Motor ..... 40 V CA  
Ancho de limpieza ..... 457 mm (18 pulg.)  
Profundidad de limpieza ..... 254 mm (10 pulg.)

Tamaño de las ruedas ..... 254 mm (10 pulg.)  
Distancia alcanzada  
por la nieve arrojada ..... Hasta 7,6 metros (25 pies)

## FAMILIARÍCESE CON EL EQUIPO QUITANIEVE

Vea la figura 1.

Para usar este producto con la debida seguridad se debe comprender la información indicada en el producto mismo y en este manual, y se debe comprender también el trabajo que intenta realizar. Antes de usar este producto, familiarícese con todas las características de funcionamiento y normas de seguridad del mismo.

## TAPAS DE LA BATERÍA

Las tapas de la batería proteger los compartimientos de las baterías de los residuos.

## COMPARTIMIENTO DE ALMACENAMIENTO DE LA BATERÍA

El compartimiento de almacenamiento de la batería ofrece un lugar conveniente para almacenar su batería cuando no la use o para almacenar un paquete de baterías adicional.

## MOTOR SIN ESCOBILLAS

Este producto cuenta con un motor sin escobillas que maximiza la potencia y el desempeño, así como el tiempo de funcionamiento de la batería.

## MANGO DEL DEFLECTOR DEL VERTEDOR

El mango del deflector del vertedor le permite cambiar la distancia a la que se descargará la nieve del vertedor.

## MANGO DE GIRO DEL VERTEDOR

El mango de giro del vertedor le permite seleccionar la dirección a la que se descargará la nieve del equipo quitanieve. La mango permite que el vertedor gire hasta 180°.

## LUCES DELANTERAS LED

Las luces delanteras LED están ubicadas en el frente de la unidad para iluminar el camino en condiciones de poca iluminación. Las luces funcionarán siempre que el motor se encuentre en funcionamiento.

# ARMADO

## DESEMPAQUETADO

Este producto requiere armarse.

- Extraiga cuidadosamente de la caja la herramienta y los accesorios. Asegúrese de que estén presentes todos los artículos enumerados en la **Lista de empaquetado**.



### ADVERTENCIA:

No utilice este producto si alguna pieza incluida en la **Lista de empaquetado** ya está ensamblada al producto cuando lo desempaqueta. El fabricante no ensambla las piezas de esta lista en el producto. Éstas deben ser instaladas por el usuario. El uso de un producto que puede haber sido ensamblado de forma inadecuada podría causar lesiones personales graves.

- Inspeccione cuidadosamente la herramienta para asegurarse de que no haya sufrido ninguna rotura o daño durante el transporte.
- No deseche el material de empaquetado sin haber inspeccionado cuidadosamente la herramienta y haberla utilizado satisfactoriamente.

- Si hay piezas dañadas o faltantes, le suplicamos llamar al 1-800-525-2579, donde le brindaremos asistencia.

## LISTA DE EMPAQUETADO

Equipo quitanieve  
Deflector del vertedor  
Mango de giro del vertedor  
Bolsa de piezas de ferretería  
Herramienta de ensamblaje  
Manual del operador



### ADVERTENCIA:

Para evitar el riesgo de lesiones, no use la unidad sin que tenga el vertedor de descarga colocado.

# ARMADO



## ADVERTENCIA:

Si hay piezas dañadas o faltantes, no utilice este producto sin haber reemplazado todas las piezas. Usar este producto con partes dañadas o faltantes puede causar lesiones serias al operador.



## ADVERTENCIA:

No intente modificar este producto ni hacer accesorios no recomendados para el mismo. Cualquier alteración o modificación constituye maltrato y puede causar una condición peligrosa, y como consecuencia posibles lesiones serias.



## ADVERTENCIA:

No meta paquete de baterías sin haber terminado de armarla y usted está listo para use el equipo quitanieve. De lo contrario la unidad puede ponerse en marcha accidentalmente, con el consiguiente riesgo de lesiones serias.



## ADVERTENCIA:

Para prevenir empezar accidental, no hace ningún ajuste ni las instalaciones con la paquete de baterías metida. El arranque accidental del equipo quitanieve durante el armado puede causar lesiones graves.

## INSTALAR Y AJUSTAR EL CONJUNTO DE MANGOS

Vea las figuras 2 - 3.

### AVISO:

No permita que el cable del mango quede apretado o atrapado cuando instale o eleve los mangos.

- Desbloquee las palancas de ajuste del mango.
- Eleve el mango inferior.
- Eleve el mango superior. Evite pellizcar o enredar los cables.
- Alinee el mango superior con la abertura del mango inferior. Inserte el mango superior en el mango inferior.

**NOTA:** Asegúrese de que el cable del mango corra dentro del conjunto y no quede apretado ni se doble.

- Alinee el orificio del mango superior con el orificio del mango inferior.
- Inserte el perno en el orificio lateral de los mangos superior e inferior.
- Instale tuerca de seguridad. Ajuste con seguridad por medio de la herramienta de conjunto incluida y una llave ajustable (no provista).
- Repita los pasos del otro lado.

## COMO AJUSTAR LA PALANCA DE AJUSTE DEL MANGO

Vea la figura 2.

Si las palancas de ajuste del mango no se bloquean de manera segura, deberá ajustar la perilla de ajuste del mango del interior de las palancas.

- Mueva las palancas de ajuste del mango a la posición de desbloqueo.
- Ajuste la perilla de ajuste del mango hasta que las palancas de ajuste del mango se cierren de manera segura en la posición de bloqueo.

**NOTA:** No ajuste de manera excesiva. Las palancas de ajuste del mango no requieren fuerza excesiva al colocarlas en la posición de bloqueo. Si están demasiado ajustadas, afloje la perilla de ajuste del mango ligeramente hasta que las palancas se bloqueen.

- Vuelva a colocar las palancas de ajuste del mango en la posición de bloqueo para asegurar el mango.

## INSTALACIÓN DEL DEFLECTOR DEL VERTEDOR

Vea las figuras 4 a 6.

- Inserte el deflector del vertedor en el equipo quitanieve y alinee la flecha con el punto de la posición de desbloqueado como se muestra.
- Presione y gire el deflector del vertedor hasta que el punto de la lengüeta se alinee con el punto de la posición de bloqueo y el botón de liberación encaje en la posición de bloqueo.
- Coloque el tornillo de cabeza Phillips en la orificio y ajústese firmemente. No efectúe un apriete excesivo.

### Para colocar el mango de rotación del vertedor:

- Alinee el mango con los orificios de la base del vertedor.
- Asegúrelo con tornillos y ajuste firmemente.

# FUNCIONAMIENTO

## **ADVERTENCIA:**

No permita que su familiarización con este tipo de producto lo vuelva descuidado. Tenga presente que un descuido de un instante es suficiente para causar una lesión grave.

## **ADVERTENCIA:**

Siempre utilice protección para los ojos con escudos laterales que cumplan con ANSI Z87.1. La inobservancia de esta advertencia puede causar el lanzamiento de objetos a los ojos, y por consecuencia posibles lesiones serias.

## **ADVERTENCIA:**

No utilice ningún aditamento o accesorio no recomendado por el fabricante de este producto. El empleo de aditamentos o accesorios no recomendados puede causar lesiones serias.

## **AVISO:**

Antes de cada uso, inspeccione todo el producto para detectar partes dañadas, faltantes o sueltas, como tornillos, tuercas, pernos, tapas, etc. Apriete firmemente todos los sujetadores y las tapas y no accione este producto hasta que todas las partes faltantes o dañadas sean reemplazadas. Póngase en contacto con el servicio al cliente o con un centro de servicio autorizado para obtener ayuda.

## **USOS**

Esta herramienta puede emplearse para el fin señalado abajo:

- Extraer nieve de las áreas deseadas, como senderos de acceso o aceras

## **ADVERTENCIA:**

Retire siempre el paquete de baterías o desconecte la herramienta del suministro de alimentación antes de instalar las piezas, realizar ajustes, limpiarla o cuando no la utilice. Esto evitará que la unidad se accione accidentalmente y provoque lesiones graves.

## **INSTALACIÓN/EXTRACCIÓN DEL PAQUETE DE BATERÍAS**

*Vea la figura 7.*

### **Instalación del paquete de baterías:**

- Abra la tapa de las batería.
- Alinee la costilla realzada exterior del paquete de baterías con la ranura interior del receptáculo para baterías de

equipo quitanieve y coloque la batería en el equipo quitanieve.

## **ADVERTENCIA:**

Asegúrese de que el pestillo en la parte inferior del paquete de baterías entre adecuadamente en su lugar y que el paquete de baterías esté bien colocado y asegurado en el puerto de batería del equipo quitanieve antes de que encenderla. Una falla en colocar el paquete de baterías de forma segura puede causar que el paquete de baterías se desprenda y termine provocando lesiones corporales serias.

- Cierre la tapa de las baterías.

### **Extracción del paquete de baterías:**

- Abra la tapa de las baterías.
- Presione y mantenga presionado el botón de la traba de las baterías de la parte inferior del paquete de baterías.
- Retire del equipo quitanieve el paquete de baterías.

## **ADVERTENCIA:**

A fin de evitar lesiones personales de gravedad, siempre extraiga el paquete de baterías cuando mover o transporte la herramienta.

Para obtener instrucciones completas sobre el uso y la carga de la batería, consulte los manuales del operador de la batería y del cargador.

## **ENCENDIDO/APAGADO DEL EQUIPO QUITANIEVE**

*Vea la figura 8.*

- Instale el paquete de baterías como de la forma descrita anteriormente.
- Oprima y no suelte el botón de arranque. Tire del gancho hacia el mango y libere el botón de arranque cuando el equipo quitanieve arranque.
- Para detener el equipo quitanieve, suelte de el gancho.

## **AJUSTE DEL VERTEDOR**

*Vea las figuras 9 a 11.*

El vertedor puede ajustarse para cambiar la dirección y la distancia, de manera de facilitar el movimiento de la nieve de un área para colocarla en otra.

La **dirección** de extracción de nieve puede ajustarse en hasta 180°.

- **Para girar el vertedor:** Con el mango de rotación del vertedor, gire el vertedor hasta que encaje en la posición deseada en la placa de bloqueo del vertedor.

La **distancia** a la que se mueve la nieve se ajusta mediante el mango del deflector del vertedor.



# FUNCIONAMIENTO

- Presione el pestillo del deflector y mueva el deflector del vertedor hacia atrás (arriba) para aumentar la distancia a la que se arrojará la nieve.

## ADVERTENCIA:

No fuerce el vertedor hacia delante en exceso de manera que aparezca un espacio entre el deflector y el vertedor. La nieve u otros desperdicios podrían ser arrojados a través de este espacio hacia el operador, provocando lesiones personales graves.

- Presione el pestillo del deflector y mueva el deflector del vertedor hacia adelante (abajo) para disminuir la distancia a la que se arrojará la nieve.

## CONSEJOS DE FUNCIONAMIENTO

### ADVERTENCIA:

Nunca utilice el equipo quitanieve en lagos, ríos o pequeñas superficies congelados. Si el hielo se rompe, pueden producirse lesiones graves o la muerte.

### ADVERTENCIA:

Nunca utilice el equipo quitanieve en el techo o en cualquier otra superficie inestable, ya que puede provocar lesiones personales graves o la muerte.

### ADVERTENCIA:

No utilice el equipo quitanieve en el hielo, ya que puede provocar que el operador se resbale y caiga, causando posibles lesiones personales graves.

### ADVERTENCIA:

No vista ropas holgadas, bufandas ni joyas. Pueden quedar atrapadas en las piezas móviles y provocar lesiones personales graves o la muerte.

### ADVERTENCIA:

Mantenga la descarga de nieve alejada de todos los dispositivos eléctricos para reducir el riesgo de electrocución o de descarga eléctrica.

### ADVERTENCIA:

Nunca apunte el equipo quitanieve o el vertedor de descarga hacia donde haya personas o mascotas. La nieve o otros objetos arrojados pueden provocar lesiones personales graves.

### ADVERTENCIA:

Asegúrese de que el área que debe limpiarse esté libre de piedras, cables, ripio y otros objetos que pudieran ser arrojados accidentalmente por el equipo quitanieve en cualquier dirección y provocar lesiones personales en el operador y en otras personas.

- Si la unidad entra en contacto con cualquier tipo de obstrucción o suciedad durante el uso, detenga el equipo quitanieve, retire el paquete de baterías, retire la obstrucción e inspeccione la unidad con cuidado en busca de daños antes de continuar.

### ADVERTENCIA:

Nunca intente alcanzar el vertedor de descarga ni coloque ninguna parte del cuerpo frente al equipo quitanieve cuando la unidad está en funcionamiento o cuando instale el paquete de baterías. Asegúrese siempre de que todas las piezas móviles se hayan detenido y que el paquete de baterías se haya extraído antes de limpiar cualquier obstrucción. El incumplimiento de estas instrucciones podría causar lesiones personales de gravedad.

- Tenga en cuenta la dirección del viento antes de comenzar. Cuando sea posible, descargue la nieve en la misma dirección del viento para evitar que la nieve sea arrojada hacia su rostro.
- Algunas piezas del equipo quitanieve pueden congelarse bajo condiciones extremas de temperatura. No intente hacer funcionar la unidad con piezas congeladas.
- Cuando haya terminado, haga funcionar el motor durante unos pocos minutos más, luego gire la palanca de giro del vertedor hacia atrás y hacia adelante varias veces para quitar del vertedero cualquier resto de nieve.

# MANTENIMIENTO

## **ADVERTENCIA:**

Al dar servicio a la unidad, asegúrese de que la batería y la llave del fusible se hayan retirado para evitar el arranque accidental y posibles lesiones graves.

## **ADVERTENCIA:**

Siempre póngase protección ocular con protección lateral con la marca de cumplimiento de la norma ANSI Z87.1. Si no cumple esta advertencia, los objetos que salen despedidos pueden producirle lesiones serias en los ojos.

## **ADVERTENCIA:**

Al dar servicio a la unidad, sólo utilice piezas de repuesto autorizadas. El empleo de piezas diferentes puede causar un peligro o dañar el producto.

## **ADVERTENCIA:**

Nunca use agua ni otros líquidos para limpiar o enjuagar la product y no exponga la unidad a la lluvia. Almacene la unidad en el interior en un lugar seco. Los líquidos corrosivos, el agua, y los productos químicos pueden ingresar los componentes eléctricos del producto y/o al compartimiento de la batería y dañar los componentes eléctricos o el paquete de la batería, lo que podría resultar en un corto circuito, mayor riesgo de incendio y lesiones personales graves. Retire la acumulación de suciedad y los residuos limpiando el producto con un trapo seco de manera ocasional.

## **AVISO:**

Inspeccione periódicamente todo el producto para detectar partes dañadas, faltantes o sueltas, como tornillos, tuercas, pernos, tapas, etc. Apriete firmemente todos los sujetadores y las tapas y no accione este producto hasta que todas las partes faltantes o dañadas sean reemplazadas. Póngase en contacto con el servicio al cliente o con un centro de servicio autorizado para obtener ayuda.

## **MANTENIMIENTO GENERAL**

Evite el empleo de solventes al limpiar piezas de plástico. La mayoría de los plásticos son susceptibles a diferentes tipos de solventes comerciales y pueden resultar dañados. Utilice paños limpios para eliminar la suciedad, el polvo, el aceite, la grasa, etc.

## **ADVERTENCIA:**

No permita en ningún momento que fluidos para frenos, gasolina, productos a base de petróleo, aceites penetrantes, etc., lleguen a tocar las piezas de plástico. Las sustancias químicas pueden dañar, debilitar o destruir el plástico, lo cual a su vez puede producir lesiones corporales serias.

- Mantenga y reemplace las etiquetas de seguridad y de instrucciones según sea necesario.

## **LUBRICACIÓN**

Todos los cojinetes de este producto están lubricados con suficiente cantidad de aceite de alta calidad para toda la vida útil de la unidad en condiciones normales de funcionamiento. Por lo tanto, no se necesita lubricación adicional de los cojinetes.

## **GUARDADO DEL EQUIPO QUITANIEVE**

*Vea la figura 12.*

## **PRECAUCIÓN:**

Asegúrese de limpiar correctamente toda la nieve derretida que gotea del equipo quitanieve para evitar resbalones y caídas.

- Retire el paquete de baterías y almacena en una ubicación segura fuera del alcance de niños.
- Antes de guardar, limpie de humedad, el polvo o los residuos del área de la batería.
- Limpie el equipo quitanieve con un paño limpio y seco.
- Verifique el apriete de todos los pernos, tuercas, perillas, tornillos, sujetadores, etcétera.
- Inspeccione las piezas móviles para ver si hay daños, rupturas y desgaste. Haga que reparen todas las piezas dañadas o faltantes.
- Empuje las palancas de bloqueo del mango hacia afuera, baje el mango superior y luego tire de las palancas hacia la posición de bloqueo.

## **AVISO:**

No permita que se pellizque el cable del mango quede apretado o atrapado cuando al bajar la barra del mango.

- Guarde equipo quitanieve en el interior, en un lugar limpio y seco, lejos del alcance de los niños.
- No la guarde cerca de materiales corrosivos como fertilizantes o sal gema.

# CORRECCIÓN DE PROBLEMAS

SI CON ESTAS SOLUCIONES NO SE RESUELVE EL PROBLEMA, COMUNÍQUESE CON EL CONCESIONARIO DE SERVICIO AUTORIZADO DE SU PREFERENCIA.

PROBLEMA	CAUSA POSIBLE	SOLUCIÓN
El mango no está en posición.	Las palancas del mango y/o las perilla de ajuste del mango no están trabadas.	Asegúrese de que las palancas del mango y perilla de ajuste del mango estén completamente asentados.
Es difícil o imposible girar el vertedor.	Es posible que el vertedor no esté completamente asentado o que esté atascado.	Retire el vertedor y asegúrese de que no tenga residuos. Vuelva a instalar el vertedor asegurándose de que quede firmemente bloqueado en su lugar.
El equipo quitanieve no enciende.	La batería es baja en la carga. El botón de inicio no está presionado.	Cargue la batería. Mantenga presionado el botón de arranque y active el gancho
El motor está encendido, pero el impulsor no funciona.	La correa de impulsión está dañada o rota.	Lleve toda la correa de impulsión a un centro de servicio autorizado para que la reemplacen.
Después de pasar, el equipo quitanieve deja una capa de nieve en el suelo.	El mecanismo del impulsor/raspador está desgastado.	Lleve el mecanismo del impulsor/raspador a un centro de servicio autorizado para que la reemplacen.



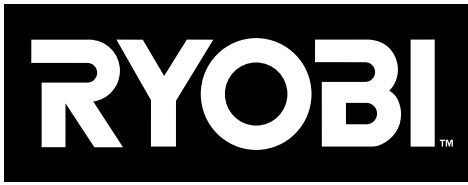
## APROVECHE AL MÁXIMO SU COMPRA!

Diríjase a <http://register.ryobitools.com>  
y registre en línea su nueva herramienta.

Este producto ha sido probado enteramente antes de embarcarse para asegurar la completa satisfacción del consumidor.

¡Si tiene preguntas sobre el funcionamiento o el mantenimiento del producto, llame al teléfono de atención al consumidor de RYOBI!

**Este producto tiene una garantía limitada de cinco años para fines personales, familiares o domésticos (90 días para usos trabajo o comercial). Para obtener detalles sobre la garantía, diríjase a [www.ryobitools.com](http://www.ryobitools.com) o llame sin cargo al 1-800-525-2579.**



## OPERATOR'S MANUAL

MANUEL D'UTILISATION / MANUAL DEL OPERADOR

## 40 VOLT BRUSHLESS SNOW BLOWER

SOUFFLEUSE À NEIGE SANS BALAI DE 40 V

EQUIPO QUITANIEVE DE 40 V

**RY40809**

- **PARTS AND SERVICE:** Prior to requesting service or purchasing replacement parts, please obtain your item, manufacturing, and serial numbers from the product data plate.

ITEM NO.\* \_\_\_\_\_ MANUFACTURING NO. \_\_\_\_\_

SERIAL NO. \_\_\_\_\_

\* Model/item number on product may have additional letters at the end. These letters designate manufacturing information and should be provided when calling for service.

**HOW TO OBTAIN REPLACEMENT PARTS:** Replacement parts can be purchased online at [www.ryobitools.com](http://www.ryobitools.com) or by calling 1-800-525-2579. Replacement parts can also be obtained at one of our service centers.

**HOW TO LOCATE A SERVICE CENTER:** Service centers can be located online at [www.ryobitools.com](http://www.ryobitools.com) or by calling 1-800-525-2579.

**HOW TO OBTAIN CUSTOMER OR TECHNICAL SUPPORT:** To obtain customer or technical support please contact us at 1-800-525-2579.

RYOBI is a trademark of Ryobi Limited and is used pursuant to a license granted by Ryobi Limited.

- **PIÈCES ET SERVICE :** Avant de faire la demande de service ou l'achat de pièces de remplacement, veuillez obtenir le numéro d'article, le numéro de fabrication et le numéro de série à partir de la plaque de données du produit.

NUMÉRO D'ARTICLE\* \_\_\_\_\_ NUMÉRO DE FABRICATION \_\_\_\_\_

NUMÉRO DE SÉRIE \_\_\_\_\_

\* Le numéro de modèle/article sur le produit peut contenir des lettres supplémentaires à la fin. Ces lettres désignent les informations du fabricant et doivent être fournies lors d'un appel de demande de service.

**COMMENT OBTENIR LES PIÈCES DE REMPLACEMENT :** Les pièces de remplacement peuvent être achetées en ligne sur le site [www.ryobitools.com](http://www.ryobitools.com) ou par téléphone au 1-800-525-2579. Les pièces de remplacement peuvent être obtenues à un de nos centres de service.

**COMMENT TROUVER UN CENTRE DE SERVICE :** Les centres de service peuvent être localisés en ligne au [www.ryobitools.com](http://www.ryobitools.com) ou en téléphonant au 1-800-525-2579.

**COMMENT OBTENIR DE L'AIDE EN CONTACTANT LE SERVICE À LA CLIENTÈLE :** Pour contacter le service à la clientèle pour une question technique ou pour tout autre renseignement, veuillez nous téléphoner au 1-800-525-2579.

RYOBI est une marque de Ryobi Limited et est utilisée en vertu d'une licence accordée par Ryobi Limited.

- **PIEZAS DE REPUESTO Y SERVICIO:** Antes de solicitar servicio técnico o comprar piezas de repuesto, obtenga su número de artículo, el número de fabricación y el número de serie de la placa de datos del producto.

NÚMERO DE ARTÍCULO\* \_\_\_\_\_ NÚMERO DE FABRICACIÓN \_\_\_\_\_

NÚMERO DE SERIE \_\_\_\_\_

\* El número de modelo/artículo que figura en el producto podría tener letras adicionales al final. Estas designan información de fabricación y deben suministrarse cuando llame para obtener asistencia o servicio.

**CÓMO OBTENER PIEZAS DE REPUESTO:** Las piezas de repuesto se pueden comprar en nuestro sitio en la red mundial, en la dirección [www.ryobitools.com](http://www.ryobitools.com) o llamando al 1-800-525-2579. Las piezas de repuesto también se pueden obtener en uno de nuestros centros de servicio.

**CÓMO LOCALIZAR UN CENTRO DE SERVICIO:** Puede encontrar los centros de servicio visitando nuestro sitio en la red mundial, en la dirección [www.ryobitools.com](http://www.ryobitools.com) or by calling 1-800-525-2579.

**CÓMO OBTENER SERVICIO O ASISTENCIA TÉCNICA AL CONSUMIDOR:** Para obtener servicio o asistencia técnica al consumidor, sírvase comunicarse con nosotros llamando al 1-800-525-2579.

RYOBI es una marca de Ryobi Limited y se utiliza conforme a una licencia otorgada por Ryobi Limited.

## TTI OUTDOOR POWER EQUIPMENT, INC.

P.O. Box 1288, Anderson, SC 29622, USA

1-800-525-2579 • [www.ryobitools.com](http://www.ryobitools.com)

998000586

2-3-22 (REV:02)