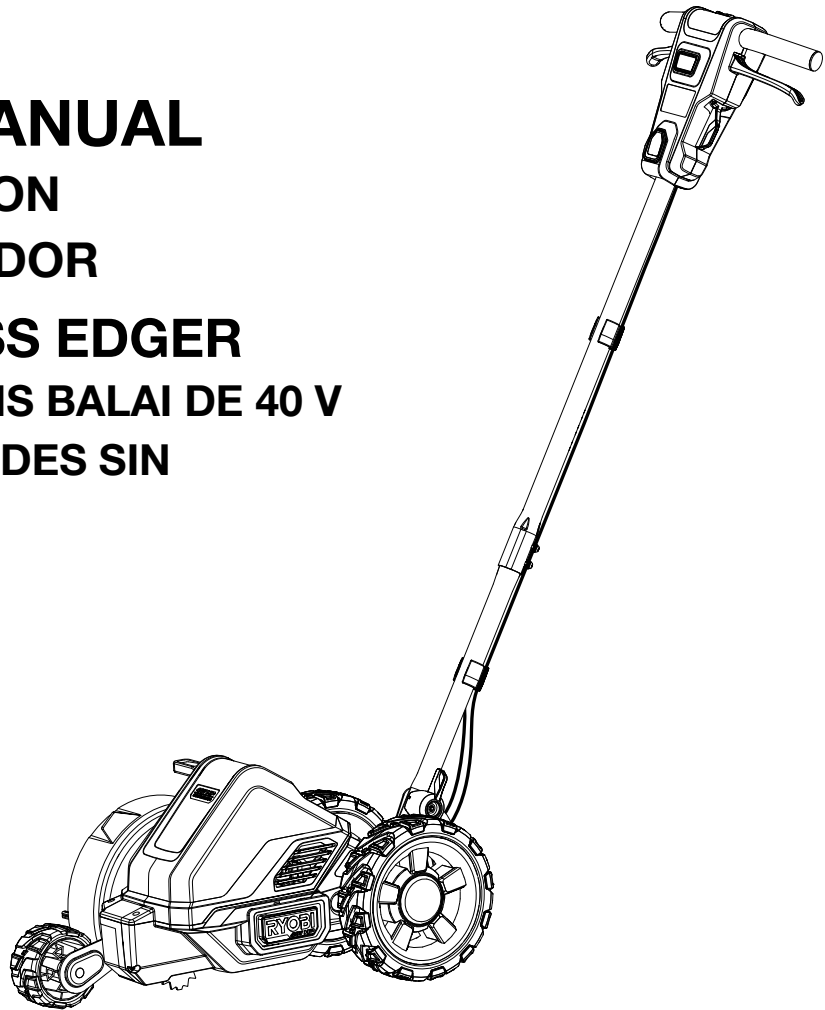




**REGISTER YOUR TOOLS**  
<http://register.ryobitools.com>  
 1-800-525-2579

**OPERATOR'S MANUAL**  
**MANUEL D'UTILISATION**  
**MANUAL DEL OPERADOR**  
**40 VOLT BRUSHLESS EDGER**  
**COUPE-BORDURES SANS BALAI DE 40 V**  
**RECORTADORA DE BORDES SIN**  
**ESCOBILLAS DE 40 V**  
**RY40706**



**TABLE OF CONTENTS**

- Important Safety Instructions..... 2-3
- Specific Safety Rules .....4
- Symbols ..... 5-6
- Features .....6
- Assembly .....7
- Operation ..... 8-9
- Maintenance .....10
- Troubleshooting .....11
- Parts Ordering/Service..... Back Page

**TABLE DES MATIÈRES**

- Instructions importantes concernant la sécurité ..... 2-3
- Règles de sécurité particulières .....4
- Symboles ..... 5-6
- Caractéristiques .....6
- Assemblage .....7
- Utilisation ..... 8-9
- Entretien .....10
- Dépannage.....11
- Commande de pièces/ réparation..... Page arrière

**ÍNDICE DE CONTENIDO**

- Instrucciones de seguridad importantes ..... 2-3
- Reglas de seguridad específicas ..... 4
- Símbolos ..... 5-6
- Características .....6
- Armado .....7
- Funcionamiento ..... 8-9
- Mantenimiento .....10
- Corrección de problemas .....11
- Pedidos de piezas/ servicio..... Pág. posterior

**⚠ WARNING:** To reduce the risk of injury, the user must read and understand the operator's manual before using this product.

**⚠ AVERTISSEMENT :** Pour réduire les risques de blessures, l'utilisateur doit lire et veiller à bien comprendre le manuel d'utilisation avant d'employer ce produit.

**⚠ ADVERTENCIA:** Para reducir el riesgo de lesiones, el usuario debe leer y comprender el manual del operador antes de usar este producto.

**SAVE THIS MANUAL FOR FUTURE REFERENCE**

**CONSERVER CE MANUEL POUR FUTURE RÉFÉRENCE**

**GUARDE ESTE MANUAL PARA FUTURAS CONSULTAS**

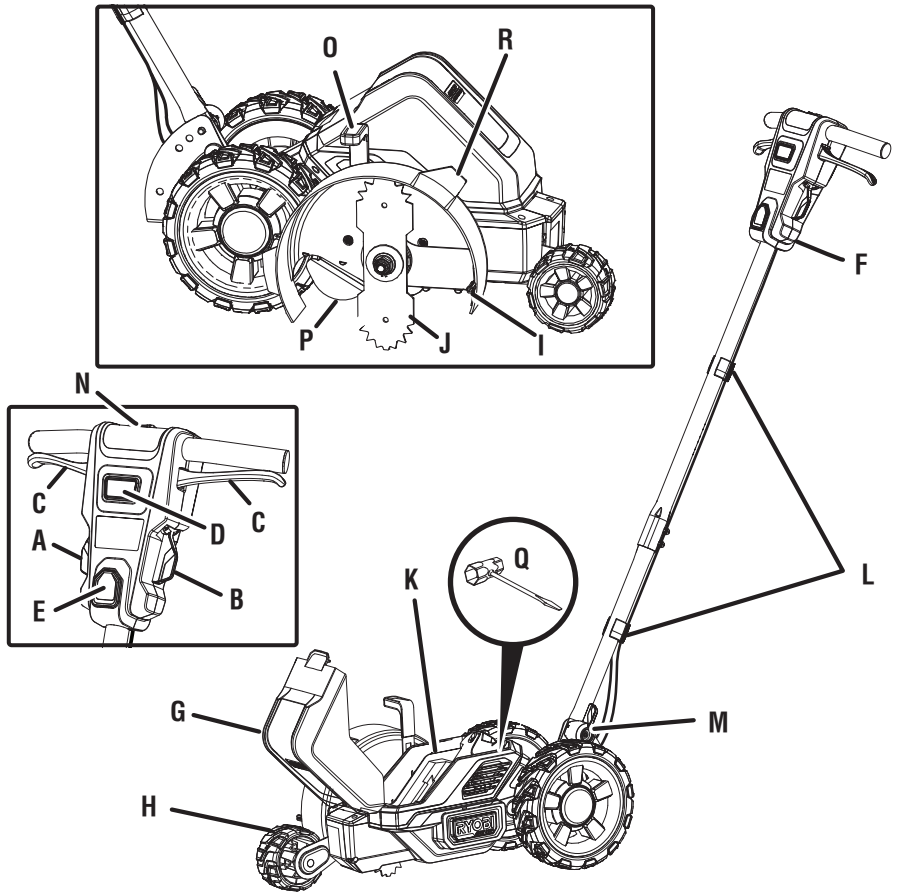
See this fold-out section for all the figures referenced in the operator's manual.

Voir que cette section d'encart pour toutes les figures a adressé dans le manuel d'utilisation.

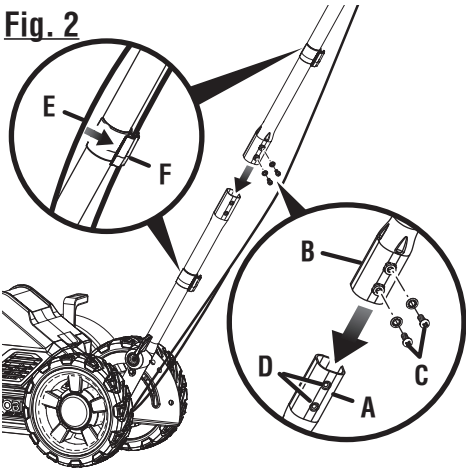
Vea esta sección de la página desplegable para todas las figuras mencionó en el manual del operador.

**Fig. 1**

- A - Depth adjustment wheel paddle (palette de réglage de profondeur de roue, selector de ajuste de profundidad de rueda)
- B - Rear drop wheel paddle (palette de réglage de roue arrière, selector de ajuste de rueda trasera)
- C - Lock-out handles (poignées de verrouillage, mangos de bloqueo)
- D - Start button (bouton de démarrage, botón de arranque)
- E - Pivoting handle button (bouton de la poignée pivotante, botón de mango pivotante)
- F - Handle assembly (assemblage de la poignée, conjunto del mango)
- G - Battery cover (couverture du bloc-piles, tapa de la batería)
- H - Front edger wheel (roue du coupe-bordure avant, rueda de bordeadora frontal)
- I - Guard sweep (balai de protecteur, limpiador del protector)
- J - Blade (lame, hoja)
- K - Blade storage (rangement des lames, almacenamiento de cuchilla)
- L - Cable clips (pincers pour fils, ganchos para cables)
- M - Handle adjustment knob (bouton de réglage de la poignée, perilla de ajuste del mango)
- N - Blade speed selector (sélecteur de vitesse de lame, selector de velocidad de la hoja)
- O - Edger curb lever (levier de bordure du coupe-bordure, palanca de bordillo de bordeadora)
- P - Edger curb protector (protecteur de bordures de trottoir, protector contra bordillo de la bordeadora)
- Q - Blade wrench (clé pour lame, llave de hoja)
- R - Blade guide (guide de la lame, guía de cuchilla)

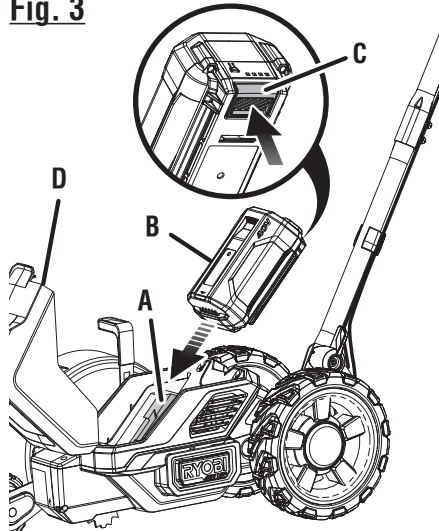


**Fig. 2**



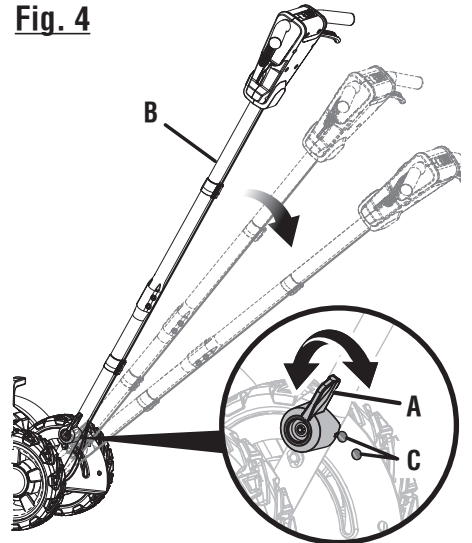
- A - Edger assembly (assemblage du coupe-bordure, conjunto de bordeadora)
- B - Handle assembly (assemblage de la poignée, conjunto del mango)
- C - Phillips head screws (vis à tête creuse, tornillo de cabeza hueca)
- D - Screw indentations (indentations de vis, marcas de los tornillos)
- E - Cables (fils, cables)
- F - Cable clips (pincers pour fils, ganchos para cables)

**Fig. 3**



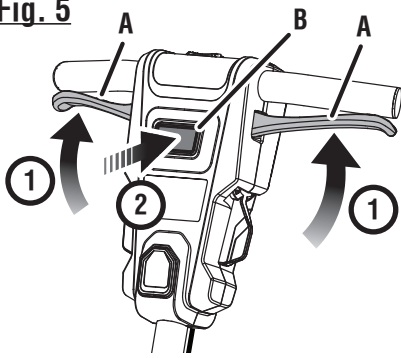
- A - Battery port (port du bloc-piles, puerto de batería)
- B - Battery pack (bloc-piles, batería)
- C - Latch (loquets, pestillos)
- D - Battery Cover (couverture du bloc-piles, tapa de la batería)

**Fig. 4**



- A - Handle adjustment knob (bouton de réglage de la poignée, perilla de ajuste del mango)
- B - Handle (poignée, mango)
- C - Height settings (réglages de la hauteur, configuración de altura)

**Fig. 5**



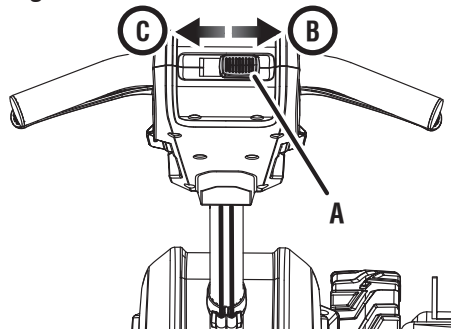
- A - Lock-out handles (poignées de verrouillage, mangos de bloqueo)
- B - Start button (bouton de démarrage, botón de arranque)

**Fig. 6**

**PROPER EDGING OPERATING POSITION  
POSITION D'UTILISATION CORRECTE  
POUR COUPE-BORDURES  
POSICIÓN CORRECTA PARA EL MANEJO  
DE LA CORTAR BORDES**

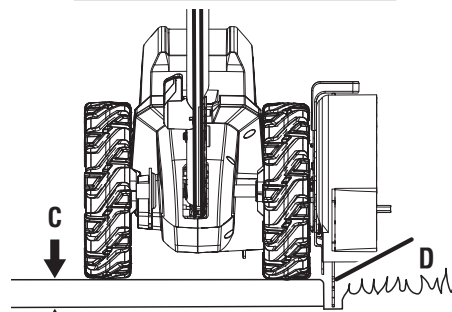
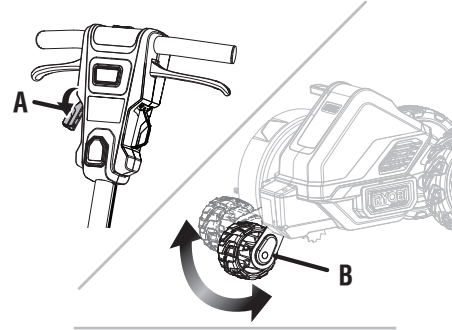


**Fig. 7**



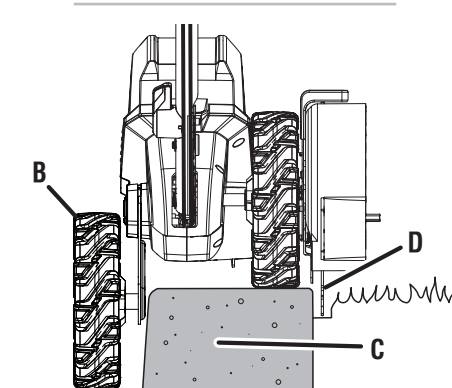
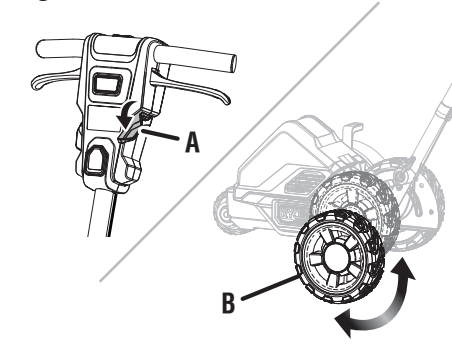
- A - Blade speed selector (sélecteur de vitesse de lame, selector de velocidad de la hoja)
- B - To increase speed of blade (Pour augmenter la vitesse de la lame, Para subir la velocidad de la cuchilla)
- C - To decrease speed of blade (pour diminuer la vitesse de la lame, para bajar la velocidad de la cuchilla)

**Fig. 8**



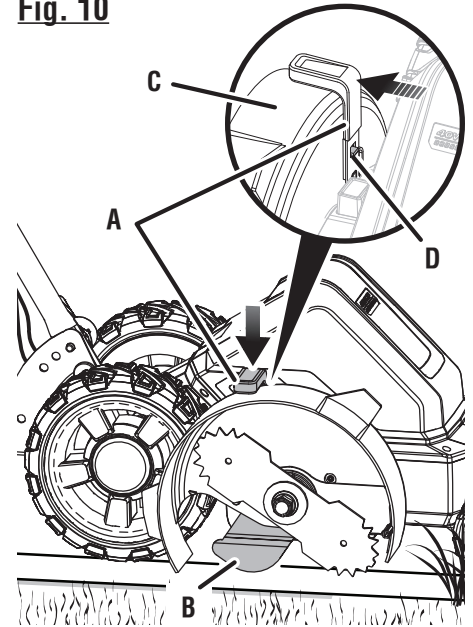
- A - Depth adjustment wheel paddle (palette de réglage de profondeur de roue, selector de ajuste de profundidad de rueda)
- B - Front edger wheel (roue du coupe-bordure avant, rueda de bordeadora frontal)
- C - Blade depth (profondeur de coupe, profundidad de la hoja)
- D - Blade (lame, hoja)

**Fig. 9**



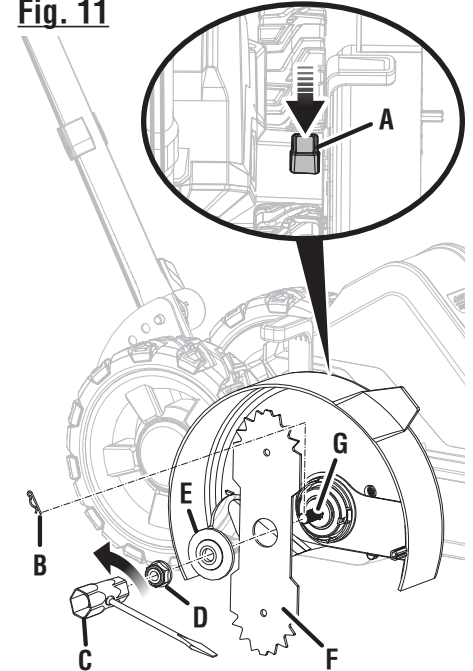
- A - Rear drop wheel paddle (palette de réglage de roue arrière, selector de ajuste de rueda trasera)
- B - Rear wheel (roue arrière, rueda trasera)
- C - Curb (bordure, bordillo)
- D - Blade (lame, hoja)

**Fig. 10**



- A - Edger curb lever (levier de bordure du coupe-bordure, palanca de bordillo de bordeadora)
- B - Edger curb protector (protecteur de bordures de trottoir, protector contra bordillo de la bordeadora)
- C - Blade guard (garde de lame, protección de la hoja)
- D - Curb guide setting (réglage du guide de bordure, configuración de guía de bordillo)

**Fig. 11**



- A - Blade lock button (bouton de verrouillage de la lame, botón de bloqueo de cuchilla)
- B - Hitch pin (goupille de blocage, pasador de enganche)
- C - Blade wrench (clé pour lame, llave de hoja)
- D - Blade nut (écrou de lame, tuerca de la hoja)
- E - Cupped washer (rondelle bombée, arandela cóncava)
- F - Blade (lame, hoja)
- G - Motor shaft (axe du motor, eje del motor)

# IMPORTANT SAFETY INSTRUCTIONS

## **WARNING :**

When using electric gardening appliances, basic safety precautions should always be followed to reduce the risk of fire, electric shock and personal injury.

## **READ ALL INSTRUCTIONS**

- For safe operation, read and understand all instructions before using this product. Follow all safety instructions. Failure to follow all safety instructions listed below, can result in serious personal injury.
- Do not allow children or untrained individuals to use this unit.
- Check the work area before each use. Remove all objects such as rocks, broken glass, nails, wire, or string which can be thrown or become entangled in the machine.
- Always wear eye protection with side shields marked to comply with ANSI Z87.1. Following this rule will reduce the risk of serious personal injury.
- Use Safety Glasses – Always use face or dust mask if operation is dusty.
- Protect your lungs. Wear a face or dust mask if the operation is dusty. Following this rule will reduce the risk of serious personal injury.
- Dress Properly – Use rubber gloves and substantial footwear is recommended when working outdoors. Wear heavy, long pants, long sleeves, boots, and gloves. Do not wear loose fitting clothing or jewelry or anything that can be caught in moving parts.
- Secure long hair above shoulder level to prevent entanglement in moving parts.
- Keep children away – Keep all bystanders, children, and pets at least 50 ft. away.
- Stay alert – Watch what you are doing. Use common sense. Do not operate this unit when you are tired, ill, upset, or under the influence of alcohol, drugs, or medication.
- Do not operate in poor lighting.
- Keep all parts of your body away from any moving part.
- Do not operate power tools in explosive atmospheres, such as in the presence of flammable liquids, gases, or dust. Power tools create sparks which may ignite the dust or fumes.
- Do not, under any circumstance, use any attachment or accessory on this product, which was not provided with the product, or identified as appropriate for use with this product in the operator's manual.
- Avoid Dangerous Environments – Don't expose appliance to rain or wet conditions. Water entering an appliance will increase the risk of electric shock.
- Use Right Appliance – Do not use appliance for any job except that for which it is intended.
- Don't Force Appliance – It will do the job better and with less likelihood of a risk of injury at the rate for which it was designed.
- Do not operate the equipment while barefoot or when wearing sandals or similar lightweight footwear. Wear protective footwear that will protect your feet and improve your footing on slippery surfaces.
- Do not overreach – Keep firm footing and balance. Overreaching can result in loss of balance.
- Avoid accidental starting – Be sure switch trigger is in the locked or off position before inserting battery pack. Carrying tools with your finger on the switch trigger or inserting the battery pack into a tool with the switch on invites accidents.
- Do not use tool if switch trigger does not turn it on or off. Any tool that cannot be controlled with the switch trigger is dangerous and must be repaired.
- Disconnect edger – Disconnect battery pack from the appliance before storing, servicing, or changing blade or when not in use. Such preventive safety measures reduce the risk of starting the tool accidentally.
- Use only identical manufacturer's replacement parts and accessories. Use of any other parts may create a hazard or cause product damage.
- Check Damaged Parts – Before further use of the appliance, a guard or other part that is damaged should be carefully checked to determine that it will operate properly and perform its function. Check for alignment of moving parts, binding of moving parts, breakage of parts, mounting and any other condition that may effect its operation. A guard or other part that is damaged should be properly repaired or replaced by an authorized service center unless indicated elsewhere in this manual.
- Keep hands and feet away from cutting area.
- Make sure all guards, straps, deflectors and handles are properly and securely attached. Keep guards in place and in working order.
- Store idle appliances indoors – When not in use, edger should be stored indoors in a dry, locked place out of the reach of children.

# IMPORTANT SAFETY INSTRUCTIONS




- Keep the air vents clean and free of debris to avoid overheating the motor. Clean after each use.
- Stop the unit and disconnect the power source when not in use. Carry the unit with the motor stopped.
- Don't grasp the exposed cutting edges when picking up or holding the appliance.
- Maintain Appliance With Care – Keep cutting edge sharp and clean for best performance and to reduce the risk of injury. Follow instructions for lubricating and changing accessories. Inspect appliance cord periodically, and if damaged, have it repaired by an authorized service facility. Inspect extension cords periodically and replace if damaged. Keep handles dry, clean, and free from oil and grease.
- Store out of the reach of children.
- Do not hang unit so that the switch trigger is depressed.
- Battery tools do not have to be plugged into an electrical outlet; therefore, they are always in operating condition. Be aware of possible hazards when not using your battery tool or when changing accessories. Following this rule will reduce the risk of electric shock, fire, or serious personal injury.
- Do not charge battery tool in rain, or damp or wet location. Following this rule will reduce the risk of electric shock.
- Do not use battery-operated appliance in rain.
- Remove or disconnect battery before servicing, cleaning or removing material from the gardening appliance.
- Use this product only with batteries and chargers listed in tool/appliance/battery pack/charger correlation supplement 988000-842.
- Do not dispose of the batteries in a fire. The cell may explode. Check with local codes for possible special disposal instructions.
- Do not open or mutilate the batteries. Released electrolyte is corrosive and may cause damage to the eyes or skin. It may be toxic if swallowed.
- Do not place battery tools or their batteries near fire or heat. This will reduce the risk of explosion and possibly injury.
- Batteries can explode in the presence of a source of ignition, such as a pilot light. To reduce the risk of serious personal injury, never use any cordless product in the presence of open flame. An exploded battery can propel debris and chemicals. If exposed, flush with water immediately.
- Do not crush, drop or damage battery pack. Do not use a battery pack or charger that has been dropped or received a sharp blow. A damaged battery is subject to explosion. Properly dispose of a dropped or damaged battery immediately.
- Exercise care in handling batteries in order not to short the battery with conducting materials such as rings, bracelets, and keys. The battery or conductor may overheat and cause burns.
- For best results, your battery tool should be charged in a location where the temperature is more than 50°F but less than 100°F. To reduce the risk of serious personal injury, do not store outside or in vehicles.
- Under extreme usage or temperature conditions, battery leakage may occur. If liquid comes in contact with your skin, wash immediately with soap and water, then neutralize with lemon juice or vinegar. If liquid gets into your eyes, flush them with clean water for at least 10 minutes, then seek immediate medical attention. Following this rule will reduce the risk of serious personal injury.
- Do not expose a battery pack or appliance to fire or excessive temperature. Exposure to fire or temperature above 265°F may cause explosion.
- Follow all charging instructions and do not charge the battery pack or appliance outside of the temperature range specified in the instructions. Charging improperly or at temperatures outside of the specified range may damage the battery and increase the risk of fire.
- Have servicing performed by a qualified repair person using only identical replacement parts.
- This will ensure that the safety of the product is maintained.
- Do not modify or attempt to repair the appliance or the battery pack (as applicable) except as indicated in the instructions for use and care.

## SPECIFIC SAFETY RULES












- Replace dull or worn blade; do not attempt to sharpen.
- Use this edger for edging along sidewalks, driveways, flower beds, and similar areas. Do not use for any other purpose.
- Be thoroughly familiar with the controls. Know how to stop the unit and disengage the controls quickly.
- Do not use the edger on or near graveled surfaces.
- Make yourself familiar with the area you are edging. Be aware of uneven sidewalks and holes in the terrain as well as other similar hazardous conditions (example: wire or wire rope which can break off and become a dangerous projectile). Always push the edger attachment slowly over rough ground.
- Do not attempt to remove cut material nor hold material to be cut when the motor is running or when the cutting blade is moving.
- A coasting blade can cause injury while it continues to spin after the motor is stopped or throttle trigger released. Maintain proper control until the blade has completely stopped rotating.
- Check blade nut for tightness before operating the attachment.
- Improper assembly can create a dangerous situation.
- Never stand or have any part of your body in line with the path of the edger blade.
- If the edger strikes any type of foreign object:
  - a) Stop the edger and remove the spark plug wire or disconnect from the power supply.
  - b) Inspect for damage to the edger attachment.
  - c) Correct damage before using the edger attachment. Failure to do so can cause serious injury.
- Always stop motor and remove the battery before attempting to remove any obstruction caught or jammed in the blade, installing attachment, or making any adjustments.
- Save these instructions. Refer to them frequently and use them to instruct others who may use this product. If you loan someone this product, loan them these instructions also to prevent misuse of the product and possible injury.

# SYMBOLS

The following signal words and meanings are intended to explain the levels of risk associated with this product.

SYMBOL	SIGNAL	MEANING
	<b>DANGER:</b>	Indicates a hazardous situation, which, if not avoided, will result in death or serious injury.
	<b>WARNING:</b>	Indicates a hazardous situation, which, if not avoided, could result in death or serious injury.
	<b>CAUTION:</b>	Indicates a hazardous situation, that, if not avoided, may result in minor or moderate injury.
	<b>NOTICE:</b>	(Without Safety Alert Symbol) Indicates information considered important, but not related to a potential injury (e.g. messages relating to property damage).

Some of the following symbols may be used on this product. Please study them and learn their meaning. Proper interpretation of these symbols will allow you to operate the product better and safer.

SYMBOL	NAME	DESIGNATION/EXPLANATION
	Safety Alert	Indicates a potential personal injury hazard.
	Read Operator's Manual	To reduce the risk of injury, user must read and understand operator's manual before using this product.
	Eye Protection	Always wear eye protection with side shields marked to comply with ANSI Z87.1.
	Wet Conditions Alert	Do not expose to rain or use in damp locations.
	Cutting Hazard	Keep feet and hands away from rotating blade.
	Keep Bystanders Away	Keep all bystanders at least 50 ft. away.
	Ricochet	Thrown objects can ricochet and result in personal injury or property damage.
	Thrown Objects	Thrown objects hazard; keep all bystanders at least 50 ft. (15 m) away.
	Blade Rotation	Direction of Blade Rotation
	Recycle Symbol	This product uses lithium-ion (Li-ion) batteries. Local, state, or federal laws may prohibit disposal of batteries in ordinary trash. Consult your local waste authority for information regarding available recycling and/or disposal options.
	Direct Current	Type or a characteristic of current

# SYMBOLS

Some of the following symbols may be used on this product. Please study them and learn their meaning. Proper interpretation of these symbols will allow you to operate the product better and safer.

SYMBOL	NAME	DESIGNATION/EXPLANATION
$n_0$	No Load Speed	Rotational speed, at no load
.../min	Per Minute	Revolutions, strokes, surface speed, orbits etc., per minute
V	Volts	Voltage
Hz	Hertz	Frequency (cycles per second)
min	Minutes	Time

# FEATURES

## PRODUCT SPECIFICATIONS

Motor ..... 40 Volts DC  
 Blade Length ..... 9 in.  
 Edging Depth ..... Adjustable from 1/2 in. to 2 in.

## KNOW YOUR PRODUCT

See Figure 1.

The safe use of this product requires an understanding of the information on the tool and in this operator's manual as well as a knowledge of the project you are attempting. Before use of this product, familiarize yourself with all operating features and safety rules.

### DEPTH ADJUSTMENT PADDLE

The depth adjustment paddle allows user to control depth of cut. Adjust the blade depth from 1/2 in. to 2 in.

### DROP WHEEL PADDLE

The drop wheel adjustment paddle enables edging at multi level areas like curbs and patio.

### GUARD SWEEP

The guard sweep removes clippings and debris from the blade area.

### LOCK-OUT

The lock-out prevents accidental starting.

### PIVOTING HANDLE

The handle assembly can be rotated 90 degrees for ease of operation and can help prevent loss of control.



# ASSEMBLY

## UNPACKING

This product requires assembly.

- Carefully remove the product and any accessories from the box. Make sure that all items listed in the packing list are included.

### **WARNING:**

Do not use this product if any parts on the **Packing List** are already assembled to your product when you unpack it. Parts on this list are not assembled to the product by the manufacturer and require customer installation. Use of a product that may have been improperly assembled could result in serious personal injury.

- Inspect the product carefully to make sure no breakage or damage occurred during shipping.
- Do not discard the packing material until you have carefully inspected and satisfactorily operated the product.
- If any parts are damaged or missing, please call 1-800-525-2579 for assistance.

## PACKING LIST

Edger  
Handle assembly  
Screws (2)  
Blade wrench  
Wire clips (2)  
Operator's Manual

### **WARNING:**

If any parts are damaged or missing do not operate this product until the parts are replaced. Use of this product with damaged or missing parts could result in serious personal injury.

### **WARNING:**

Do not attempt to modify this product or create accessories not recommended for use with this product. Any such alteration or modification is misuse and could result in a hazardous condition leading to possible serious personal injury.

### **WARNING:**

To prevent accidental starting that could cause serious personal injury, always remove the battery pack from the product when assembling parts.

## ATTACHING THE HANDLE ASSEMBLY

See Figure 2.

- Remove the battery pack if installed.
- Locate and align the holes on the handle assembly with the screw indentions on the edger assembly.  
**NOTE:** Make sure the holes and indentions are aligned for proper positioning of the pivoting handle.
- Insert the handle assembly into the edger assembly.
- Insert the two screws provided to connect the shafts as shown.
- Secure the cable clips onto the shaft. Insert cables into the clips.

**NOTE:** Be careful not to bend, twist or pinch cables.

**NOTE:** If the handle is rotated 90 degrees, press the pivot handle button to return the handle to it's normal operating position.

# OPERATION

## **WARNING:**

Do not allow familiarity with products to make you careless. Remember that a careless fraction of a second is sufficient to inflict serious injury.

## **WARNING:**

Always wear eye protection with side shields marked to comply with ANSI Z87.1. Failure to do so could result in objects being thrown into your eyes resulting in possible serious injury.

## **WARNING:**

Never use flailing devices, wire, or rope on this product. Do not use any attachments or accessories not recommended by the manufacturer of this product. The use of attachments or accessories not recommended can result in serious personal injury.

## **NOTICE:**

Before each use, inspect the entire product for damaged, missing, or loose parts such as screws, nuts, bolts, caps, etc. Tighten securely all fasteners and caps and do not operate this product until all missing or damaged parts are replaced. Please contact customer service or a qualified service center for assistance.

## **TO INSTALL BATTERY PACK**

*See Figure 3.*

## **WARNING:**

Always remove battery pack from your tool when you are assembling parts, making adjustments, cleaning, or when not in use. Removing battery pack will prevent accidental starting that could cause serious personal injury.

- Raise battery cover.
- Insert the battery pack into the product as shown.
- Close battery cover.

## **WARNING:**

Make sure the latches on the battery pack snap in place and the battery pack is fully seated and secure in the power head battery port before beginning operation. Failure to securely seat the battery pack could cause the battery pack to fall out, resulting in serious personal injury.

## **TO REMOVE BATTERY PACK**

*See Figure 3.*

- Raise battery cover.
- Depress the latch on the battery pack.
- Remove the battery pack.
- Close the battery cover.

## **WARNING:**

To avoid serious personal injury, always remove the battery pack and keep hands clear of the lock-out when carrying or transporting the tool.

For complete charging instructions, see the operator's manuals for your battery pack and charger.

## **ADJUSTABLE HANDLE HEIGHT**

*See Figure 4.*

The angle of the front handle can be adjusted to four settings.

- Remove the battery pack.
- Rotate handle adjustment knob release pin.
- Select a comfortable setting from the four options.
- Rotate handle adjustment back into place so the pin secures the position selected.

## **STARTING/STOPPING THE EDGER**

*See Figure 5.*

### **To start:**

- Press and hold the lock-out handles.
- Depress the start button.

### **To stop:**

- Release the lock out handles to stop the edger.

# OPERATION

## OPERATING THE EDGER

See Figure 6.

- Hold the edger with both hands on the handle assembly.
- Keep a firm grip with both hands while in operation.
- Edger should be held at a comfortable position with the handle assembly about hip height.
- Use the sight on the blade guide to align the blade with the area you wish to edge.
- The edger will edge along sidewalks, driveways, flower beds, curbs, and similar areas.
- Cut at a steady pace. If the blade begins to bog down, you are edging too fast; slow your pace. Do not force the blade into ground.
- Light contact of the blade against the sidewalk edge, curb, etc., is acceptable and will not damage the edger.
- Best appearance is obtained when grass is dry. Avoid edging in wet soil or wet grass areas or the blade guard might clog and result in an uneven edge.
- If the blade guard becomes clogged, stop the edger, remove the battery, and remove debris from the blade guard. Use the guard sweep to clear debris.



### WARNING:

Always hold the edger away from the body keeping clearance between the body and the edger. Any contact with the edger cutting head while operating can result in serious personal injury.

## BLADE SPEED ADJUSTMENT

See Figure 7.

The blade speed can be adjusted by sliding the button back and forth.

## ADJUSTING DEPTH OF CUT

See Figure 8.

There are four depth positions from 1/2 in. to 2 in.

- Remove the battery pack.
- Rotate the paddle to raise or lower the front edger wheel to adjust the depth of cut.
- Rotate the paddle to fully locked position when the desired height is set.

**NOTE:** Adjust the blade depth from 1/2 in. to 1 in. deep initially. Make a shallow cut to test the cutting depth. If the cutting depth needs adjusting, this should be done progressively until the desired depth is reached.

## DROP WHEEL ADJUSTMENT

See Figure 9.

This feature enables edging on uneven surfaces such as along curbs.

- Remove the battery pack.
- Rotate the paddle to raise or lower the rear wheel to adjust the height of an uneven surface such as a curb.
- Rotate the paddle to fully locked position when the desired height is set.

## EDGER GUIDE

See Figure 10.

Protect curbing and other surfaces from being damaged by the edger's blade.

- Remove the battery pack.
- Raise or lower the lever to adjust the protective shield.
- Lock into place by sliding the lever over the tab to secure.
- Use the sight on the blade guide to align the blade with the area you wish to edge.

# MAINTENANCE

## **WARNING:**

To avoid serious personal injury, always remove the battery pack from the tool when cleaning or performing any maintenance.

## **WARNING:**

Always wear eye protection with side shields marked to comply with ANSI Z87.1. Failure to do so could result in objects being thrown into your eyes resulting in possible serious injury.

## **WARNING:**

When servicing, use only identical replacement parts. Use of any other parts could create a hazard or cause product damage.

## **NOTICE:**

Periodically inspect the entire product for damaged, missing, or loose parts such as screws, nuts, bolts, caps, etc. Tighten securely all fasteners and caps and do not operate this product until all missing or damaged parts are replaced. Please contact customer service or a qualified service center for assistance.

## GENERAL MAINTENANCE

Avoid using solvents when cleaning plastic parts. Most plastics are susceptible to damage from various types of commercial solvents and may be damaged by their use. Use clean cloths to remove dirt, dust, oil, grease, etc.

## **WARNING:**

Do not at any time let brake fluids, gasoline, petroleum-based products, penetrating oils, etc., come in contact with plastic parts. Chemicals can damage, weaken or destroy plastic which could result in serious personal injury.

## REPLACING THE BLADE

See Figure 11.

Replace the blades when they appear worn or when you notice the edger's performance lessens.

**NOTE:** Always wear gloves when handling the blade.

- Remove the battery pack.
- Remove the hitch pin.
- Using the blade wrench (included), turn the blade nut counterclockwise to loosen.
- Press and hold the blade lock button while rotating the blade until blade locks into place.
- Remove the old blade from the motor shaft.
- Clean any debris from the area.
- Center the new blade making sure it sits flat on the housing.
- Reinstall the blade nut and tighten securely.
- Replace hitch pin to secure.

This replacement part is available from the place of purchase, or by calling 1-800-525-2579.

## **WARNING:**

Always make sure the blade is correctly installed and securely fastened before each use. Failure to properly install the blade may result in serious personal injury.

## STORING THE EDGER

**NOTE:** Adjusting the handle angle allows for the edger to be stored vertically. Set handle adjustment so edger handle is flat.

- Remove the battery pack from the edger before storing.
- Clean all foreign material from the edger.
- Use guard sweep to remove debris around blade.
- Store it in a place that is inaccessible to children.
- Keep away from corrosive agents such as garden chemicals and de-icing salts.

## REPLACEMENT PARTS

Call customer service at 1-800-525-2579 to request replacement parts.

Replacement Blade .....AC04215

## TROUBLESHOOTING

PROBLEM	POSSIBLE CAUSE	SOLUTION
Motor fails to start when switch trigger is depressed.	Battery is not secure.  Battery is not charged.	To secure the battery pack, make sure the latch (or latches) snap into place.  Charge the battery pack according to the instructions included with your model.



### CALL US FIRST

For any questions about operating or maintaining your product, call the Ryobi Help Line!

Your product has been fully tested prior to shipment to ensure your complete satisfaction.

**This product has a Five-year Limited Warranty for personal, family, or household use (90 days for business or commercial use). For warranty details, visit [www.ryobitools.com](http://www.ryobitools.com) or call (toll free) 1-800-525-2579.**

# INSTRUCTIONS IMPORTANTES CONCERNANT LA SÉCURITÉ

## **AVERTISSEMENT :**

Lors de l'utilisation d'outils de jardinage, toujours suivre les consignes de sécurité de base pour éviter les risques d'incendie, d'électrocution et de blessures.

## **LIRE TOUTES LES INSTRUCTIONS**

- Pour travailler en toute sécurité, lire et veiller à bien comprendre toutes les instructions avant d'utiliser ce produit. Respecter toutes les instructions de sécurité. Le non respect des instructions de sécurité ci-dessous peut entraîner des blessures graves.
- Ne pas laisser des enfants ou personnes n'ayant pas reçu une formation adéquate utiliser cet produit.
- Débayer la zone de travail avant chaque utilisation. La débarrasser de tous les objets tels que cailloux, verre brisé, clous, fils métalliques, cordes, etc. risquant d'être projetés ou de se prendre dans la ligne de coupe ou la lame.
- Toujours porter une protection oculaire avec écrans latéraux certifiée conforme à la norme ANSI Z87.1. Le respect de cette règle réduira les risques de blessures graves.
- Utiliser les lunettes de sûreté – Toujours la visage d'usage ou le masque de poussière si l'opération est poussiéreuse.
- Protection respiratoire. Porter un masque facial ou un masque antipoussière si le travail produit de la poussière. Le respect de cette consigne réduira les risques de blessures graves.
- Vêtements adéquats – Le port de gants de caoutchouc et de chaussures solides est recommandé pour le travail à l'extérieur. Porter des pantalons et des manches longues en tissu robuste, des chaussures de travail et des gants. Ne pas porter de vêtements amples, des bijoux ou tout autre article pouvant se coincer dans les pièces mobiles.
- Attacher les cheveux longs pour les maintenir au-dessus des épaules afin qu'ils ne se coincent pas dans les pièces mobiles.
- Tenir les enfants éloignés – Ranger les appareils qui ne sont pas utilisés – Garder les badauds, enfants et animaux à une distance de 15 m (50 pi) minimum.
- Rester alerte – Se concentrer sur son travail. Faire preuve de bon sens. Ne pas utiliser ce taille-bordures en état de fatigue, si l'on est souffrant, si vous êtes bouleversé, ou sous l'influence de l'alcool, de drogues ou de médicaments.
- Ne pas travailler sous un éclairage insuffisant.
- Garder toutes les parties du corps à l'écart des pièces en mouvement.
- Ne pas utiliser d'outils électriques dans des atmosphères explosives, par exemple en présence de liquides, gaz ou poussières inflammables. Les outils électriques produisent des étincelles risquant d'enflammer les poussières ou vapeurs.
- N'utiliser en aucun cas un accessoire non fourni avec le produit, ou indiqué comme pouvant être utilisé sur l'outil dans le manuel d'utilisation.
- Éviter les environnements dangereux – Ne pas exposer le appareil ou outil à la pluie ou l'humidité. La pénétration d'eau dans ces outils accroît le risque de choc électrique.
- Utiliser les appareils appropriés – Ne pas utiliser l'outil pour une tâche pour laquelle il n'est pas conçu.
- Ne pas forcer appareil – Un produit approprié exécutera le travail mieux et de façon moins dangereuse s'il fonctionne dans les limites prévues.
- Ne pas faire fonctionner l'équipement pied-nu ou en portant des sandales ou des chaussures légères similaires. Porter des chaussures de protection qui protègent vos pieds et améliorent votre équilibre sur des surfaces glissantes.
- Ne pas exagérer en se courbant ou en s'étirant. Se tenir bien campé et en équilibre. Cette façon de travailler pourrait vous faire perdre l'équilibre.
- Éviter les démarrages accidentels s'assurer que la gâchette est verrouillée en position d'arrêt avant d'insérer le bloc piles. Le transport d'outils avec le doigt sur le commutateur ou l'insertion du bloc piles avec le commutateur en position de marche est une invite aux accidents.
- Ne pas utiliser l'produit si le commutateur ne permet pas de le mettre en marche et de l'arrêter. Tout produit qui ne peut pas être contrôlé par son commutateur est dangereux et doit être réparé.
- Débrachement du taille-bordures – Retirer le bloc-piles de l'outil avant de le ranger, le réparer ou changer la lame. Ces mesures de sécurité réduisent les risques de démarrage accidentel de l'outil.
- Utiliser exclusivement des pièces de rechange et accessoire d'origine. L'usage de toute autre pièce pourrait créer une situation dangereuse ou endommager l'produit.
- Vérifier l'état des pièces – Avant d'utiliser l'appareil de nouveau examiner soigneusement les pièces et dispositifs de protection qui semblent endommagés afin de déterminer s'ils fonctionnent correctement et s'ils remplissent les fonctions prévues. Vérifier l'alignement des pièces mobiles, s'assurer qu'aucune pièce n'est bloquée ou cassée, vérifier la fixation de chaque pièce et s'assurer qu'aucun autre problème ne risque d'affecter le bon fonctionnement de l'outil. La réparation ou le remplacement du dispositif de protection ou de toute autre pièce doivent être confiés à un centre de réparations autorisé, sauf indication contraire dans le présent manuel.

# INSTRUCTIONS IMPORTANTES CONCERNANT LA SÉCURITÉ

- Éloigner les mains et les pieds de la zone de coupe.
- S'assurer que tous les protections, sangles, déflecteurs et poignées sont correctement et solidement fixés. Maintenir les protections en place et en état de marche.
- Entreposer les outils à l'intérieur – Quand pas dans l'usage, tondeuse à fouet devrait être emmagasiné à la maison dans un sec, fermé à clef la remiser dans un endroit inaccessible aux enfants.
- S'assurer que les événements d'aération sont propres et exempts de débris afin d'éviter que le moteur ne surchauffe. Les nettoyer après chaque utilisation.
- Arrêter l'appareil et le débrancher de la source d'alimentation lorsqu'il n'est pas utilisé. Attendre l'arrêt complet du moteur avant de déplacer l'appareil.
- Ne pas tenir les bords coupants lorsque l'on ramasse ou que l'on tient l'outil.
- Entretenir soigneusement l'appareil : garder la lame affûtée et propre pour une performance optimale et pour réduire le risque de blessure. Suivre les instructions pour la lubrification et le remplacement des accessoires. Inspecter le cordon de l'appareil périodiquement et en cas de dommage, demander à un centre d'entretien autorisé de le réparer. Inspecter périodiquement les rallonges électriques et les remplacer si elles sont endommagées. Garder les poignées propres, sèches et exemptes d'huile et de graisse.
- Ranger l'appareil en s'assurant qu'il est débranché et qu'il est hors de la portée des enfants.
- Ne pas suspendre l'appareil d'une façon qui enclencherait la gâchette.
- Les outils fonctionnant sur piles n'ayant pas besoin d'être branchés sur une prise de courant, ils sont toujours en état de fonctionnement. Tenir compte des dangers possibles lorsque l'appareil n'est pas en usage et lors du remplacement des piles. Le respect de cette consigne réduira les risques d'incendie, de choc électrique et de blessures graves.
- Ne pas recharger un produit fonctionnant sur piles dans un endroit la pluie ou humide ou mouillé. Le respect de cette règle réduira les risques de choc électrique.
- Ne pas utiliser un appareil alimenté par pile sous la pluie.
- Retirer ou débrancher la pile avant l'entretien ou le nettoyage de l'appareil de jardin ou avant d'en retirer des matériaux.
- Utiliser ce produit seulement avec les piles et les chargeurs indiqués dans le supplément de raccordement pour chargeur/outils/piles/appareil n° 988000-842.
- Ne pas jeter les piles au feu. La cellule peut exploser. Vérifier les codes locaux pour connaître toute instruction spéciale relative à l'élimination des piles.
- Ne pas altérer le bloc piles. L'électrolyte est un produit corrosif pouvant causer des lésions cutanées ou oculaires. Il peut être toxique en cas d'ingestion.
- Ne pas placer les outils électriques sans fil ou leurs piles à proximité de flammes ou d'une source de chaleur. Ceci réduira les risques d'explosion et de blessures.
- Les piles peuvent exploser en présence d'une source d'allumage, telle qu'une veilleuse. Pour réduire les risques de blessures graves, ne jamais utiliser un appareil sans fil, quel qu'il soit, en présence d'une flamme vive. En explosant, une pile peut projeter des débris et des produits chimiques. En cas d'exposition, rincer immédiatement les parties atteintes avec de l'eau.
- Ne pas écraser, faire tomber ou endommager le bloc piles. Ne jamais utiliser un bloc piles ou un chargeur qui est tombé, a été écrasé, a reçu un choc violent ou a été endommagé de quelque façon que ce soit. Une pile endommagée risque d'exploser. Éliminer immédiatement toute pile endommagée, selon une méthode appropriée.
- Manipuler les piles avec soin pour éviter des courts circuits avec des objets conducteurs comme des anneaux, des bracelets et des clés. La pile ou l'objet conducteur peuvent surchauffer et causer des brûlures.
- Pour un résultat optimal, les piles de l'appareil doivent être rechargées dans un local où la température est de 10 à 38 °C (50 à 100 °F). Ne pas ranger l'appareil à l'extérieur ou dans un véhicule.
- Si l'appareil est utilisé de façon intensive ou sous des températures extrêmes, des fuites de pile peuvent se produire. En cas de contact du liquide avec la peau, rincez immédiatement la partie atteinte avec de l'eau savonneuse, puis neutralisez avec du jus de citron ou du vinaigre. En cas d'éclaboussure dans les yeux, rincez-les à l'eau fraîche pendant au moins 10 minutes, puis contactez immédiatement un médecin. Le respect de cette consigne réduira les risques de blessures graves.
- Ne pas exposer le bloc-piles ou l'outil au feu ou à des températures excessives. Une exposition au feu ou à une température supérieure à 130 °C (265 °F) peut provoquer une explosion.
- Suivre toutes les instructions afférentes à la recharge et ne pas recharger le bloc-piles ou l'appareil hors des températures spécifiées dans les instructions. Une recharge incorrecte ou hors des températures spécifiées peut endommager la pile et augmenter les risques de feu.
- Demander à un réparateur qualifié d'effectuer la réparation en utilisant des pièces de rechange identiques.
- Ceci assurera la bonne sécurité du produit réparé.
- Ne pas modifier ni tenter de réparer l'appareil ou le bloc-piles (le cas échéant), sauf comme indiqué dans les instructions d'utilisation et d'entretien.




# RÈGLES DE SÉCURITÉ PARTICULIÈRES

- Remplacer les lames émoussées ou usées; ne pas tenter de les affûter.
- Ce coupe-bordures permet d'effectuer la finition des trottoirs, allées et massifs de fleurs. Ne pas l'utiliser pour d'autres applications.
- Bien se familiariser avec les commandes. Savoir arrêter l'appareil et débrayer rapidement l'entraînement.
- Ne pas utiliser le coupe-bordures sur ou à proximité de surfaces gravillonnées.
- Se familiariser avec le terrain sur lequel sont effectuées les finitions. Faire attention aux trottoirs irréguliers et aux trous dans le terrain ainsi qu'aux autres situations présentant un danger semblable (exemple : ne jamais utiliser de fil ou câble métallique qui pourrait se briser et devenir un projectile dangereux). Toujours pousser lentement l'accessoire coupe-bordures sur les terrains irréguliers.
- Ne pas essayer de retirer de l'herbe coupée de l'outil ou de tenir l'herbe à couper lorsque le moteur tourne ou la lame est en rotation.
- Une lame continuant de tourner au débrayé une fois que le moteur est arrêté et la gâchette relâchée peut causer des blessures. Garder le contrôle de l'outil jusqu'à ce que la lame soit complètement immobilisée.
- S'assurer que l'écrou de lame est serré solidement avant d'utiliser l'accessoire.
- Un assemblage inadéquat peut entraîner une situation dangereuse.
- Ne jamais se tenir vis-à-vis du chemin de coupe et garder toutes les parties du corps à l'écart de celui-ci.
- Si le coupe-bordures cogne un objet quelconque :
  - a) Arrêter le coupe-bordures et débrancher le fil de la bougie ou débrancher de la prise secteur.
  - b) Inspecter le coupe-bordures pour voir s'il est endommagé.
  - c) Effectuer les corrections requises avant d'utiliser l'accessoire coupe-bordures. Ne pas prendre cette précaution peut entraîner des risques de blessures graves.
- Toujours éteindre le moteur et retirer le bloc de piles avant d'essayer de retirer des objets pris dans la lame ou la bloquant, avant d'installer la lame ou avant d'effectuer tout réglage.
- Conserver ces instructions. Les consulter fréquemment et les utiliser pour instruire les autres utilisateurs éventuels. Si cet outil est prêté, il doit être accompagné de ces instructions, afin d'éviter un usage incorrect et d'éventuelles blessures.













# SYMBOLES

Les termes de mise en garde suivants et leur signification ont pour but d'expliquer le degré de risques associé à l'utilisation de ce produit.

SYMBOLE	SIGNAL	SIGNIFICATION
	<b>DANGER:</b>	Indique une situation dangereuse qui, si elle n'est pas évitée, aura pour conséquences des blessures graves ou mortelles.
	<b>AVERTISSEMENT :</b>	Indique une situation dangereuse qui, si elle n'est pas évitée, pourrait entraîner des blessures graves ou mortelles.
	<b>ATTENTION :</b>	Indique une situation dangereuse qui, si elle n'est pas évitée, pourrait entraîner des blessures légères ou de gravité modérée.
	<b>AVIS :</b>	(Sans symbole d'alerte de sécurité) Indique les informations jugées importantes sans toutefois représenter un risque de blessure (ex. : messages concernant les dommages matériels).

Certains des symboles ci-dessous peuvent être utilisés sur produit. Veiller à les étudier et à apprendre leur signification. Une interprétation correcte de ces symboles permettra d'utiliser produit plus efficacement et de réduire les risques.

SYMBOLE	NOM	DÉSIGNATION / EXPLICATION
	Symbole d'alerte de sécurité	Indique un risque de blessure potentiel.
	Lire manuel d'utilisation	Pour réduire les risques de blessures, l'utilisateur doit lire et veiller à bien comprendre le manuel d'utilisation avant d'utiliser ce produit.
	Protection oculaire	Toujours porter une protection oculaire avec écrans latéraux certifiée conforme à la norme ANSI Z87.1.
	Avertissement concernant l'humidité	Ne pas exposer à la pluie ou l'humidité.
	Risque de coupure	Garder la lame tournante loin des mains et des pieds.
	Ne laisser personne s'approcher	Garder les badauds à une distance de 15 m (50 pi) minimum.
	Danger de ricochet	Ne pas utiliser le coupe-bordures sans le protecteur. Rester éloigné de la tête de coupe rotative.
	Projection d'objets	Projection risques d'objets; Garder les badauds à une distance de 15 m ou 50 po minimum.
	Sens de rotation de la lame	Sens de rotation de la lame
	Symbole de recyclage	Ce produit utilise les piles de lithium-ion (Li-ion). Les réglementations locales ou gouvernementales peuvent interdire de jeter les piles dans les ordures ménagères. Consulter les autorités locales compétentes pour les options de recyclage et/ou l'élimination.

# SYMBOLES

Certains des symboles ci-dessous peuvent être utilisés sur produit. Veiller à les étudier et à apprendre leur signification. Une interprétation correcte de ces symboles permettra d'utiliser produit plus efficacement et de réduire les risques.

SYMBOLE	NOM	DÉSIGNATION / EXPLICATION
—	Courant continu	Type ou caractéristique du courant
$n_0$	Vitesse à vide	Vitesse de rotation à vide
.../min	Par minute	Tours, coups, vitesse périphérique, orbites, etc., par minute
V	Volts	Tension
Hz	Hertz	Fréquence (cycles par seconde)
min	Minutes	Temps

# CARACTÉRISTIQUES

## PRODUCT SPECIFICATIONS

Moteur .....40 V c.c.  
Longueur de lame .....228,6 mm (9 po)  
Profondeur de chant .....Adjustable entre 12,7 mm à 50,8 mm (1/2 po et 2 po)

## APPRENDRE À CONNAÎTRE PRODUIT

Voir la figure 1.

L'utilisation sûre de ce produit exige une compréhension des renseignements figurant sur l'produit et contenus dans le manuel d'utilisation, ainsi qu'une bonne connaissance du projet entrepris. Avant d'utiliser ce produit, se familiariser avec toutes ses caractéristiques et règles de sécurité.

## PALETTES DE REGLAGE DE PROFONDEUR

La palette de réglage de profondeur permet à l'utilisateur de contrôler la profondeur de coupe. Régler la profondeur de la lame de 12,7 à 50,8 mm.

## PALETTE DE REGLAGE DE ROUE

La palette de réglage de roue permet de réaliser des bordures sur plusieurs niveaux, comme les trottoirs et les patios.

## BALAI DE PROTECTEUR

Le balai de protecteur permet d'éliminer les déchets de coupe et les débris de la zone de la lame.

## VERROUILLAGE

Le verrouillage prévient les démarrages accidentels.

## POIGNEE PIVOTANTE

La poignée peut être tournée de 90° pour faciliter l'utilisation et éviter la perte de contrôle.

# ASSEMBLAGE

## DÉBALLAGE

Ce produit nécessite un assemblage.

- Avec précaution, sortir l'produit et les accessoires de la boîte. S'assurer que toutes les pièces figurant sur la liste de contrôle sont incluses.

### AVERTISSEMENT :

Ne pas utiliser le produit si, en le déballant, vous constatez que des éléments figurant dans la **Liste de contrôle d'expédition** sont déjà assemblés. Certaines pièces figurant sur cette liste n'ont pas été assemblées par le fabricant et exigent une installation. Le fait d'utiliser un produit qui a été assemblé de façon inadéquate peut entraîner des blessures.

- Examiner soigneusement l'produit pour s'assurer que rien n'a été brisé ou endommagé en cours de transport.
- Ne pas jeter les matériaux d'emballage avant d'avoir soigneusement examiné l'produit et avoir vérifié qu'il fonctionne correctement.
- Si des pièces manquent ou sont endommagées, appeler le 1-800-525-2579.

## LISTE DE CONTRÔLE

Podadora de bordes

Assemblage de la poignée

Vis (2)

Clé pour lame

Pincés pour fils (2)

Manuel d'utilisation

### AVERTISSEMENT :

Si des pièces manquent ou sont endommagées, ne pas utiliser cet produit avant qu'elles aient été remplacées. Le non-respect de cet avertissement pourrait entraîner des blessures graves.

### AVERTISSEMENT :

Ne pas essayer de modifier cet produit ou de créer des accessoires non recommandés pour l'produit. De telles altérations ou modifications sont considérées comme un usage abusif et peuvent créer des conditions dangereuses, risquant d'entraîner des blessures graves.

### AVERTISSEMENT :

Toujours retirer le bloc-piles du produit lors de l'assemblage des pièces pour prévenir le démarrage accidentel pouvant causer des blessures graves.

## FIXER L'ASSEMBLAGE DE POIGNEE

Voir la figure 2.

- Enlever le bloc-piles s'il est installé.
- Repérer et aligner les trous de la poignée avec les encoches des vis de l'ensemble du coupe-bordure.

**NOTE :** S'assurer que les trous et les indentations sont alignés pour un positionnement correct de la poignée pivotante.

- Insérer l'assemblage de la poignée dans l'assemblage du coupe-bordure.
- Insérer les deux vis fournies pour relier les arbres comme indiqué.
- Fixer les pincés à fils sur l'arbre. Insérer les fils dans les pincés.

**NOTE :** Veiller à ne pas plier, tordre ou pincer les câbles.

**NOTE :** Si la poignée est tournée de 90 degrés, appuyer sur le bouton de la poignée pivotante pour remettre la poignée dans sa position normale de fonctionnement.

# UTILISATION

## **AVERTISSEMENT :**

Ne pas laisser la familiarité avec l'produit faire oublier la prudence. Ne pas oublier qu'une fraction de seconde d'inattention peut entraîner des blessures graves.

## **AVERTISSEMENT :**

Toujours porter une protection oculaire avec écrans latéraux certifiée conforme à la norme ANSI Z87.1. Si cette précaution n'est pas prise, des objets peuvent être projetés dans les yeux et causer des lésions graves.

## **AVERTISSEMENT :**

Ne jamais utiliser de dispositifs à fléau, ligne et cordes sur ce produit. Ne pas utiliser d'outils ou accessoires non recommandés par le fabricant pour cet produit. L'utilisation de pièces et accessoires non recommandés peut entraîner des blessures graves.

## **AVIS :**

Avant chaque utilisation, inspecter au complet le produit afin de s'assurer qu'aucune pièce (vis, écrous, boulons, chapeaux, etc.) n'est endommagée, manquante ou desserrée. Serrer solidement toutes les pièces de fixation et les chapeaux et ne pas utiliser le produit tant que toutes les pièces manquantes ou endommagées n'ont pas été remplacées. Pour obtenir de l'aide, veuillez communiquer avec le service à la clientèle ou un centre de réparations qualifié.

## **INSTALLATION DU BLOC-PILES**

*Voir la figura 3.*

## **AVERTISSEMENT :**

Toujours retirer la pile de l'outil au moment d'assembler des pièces, d'effectuer des réglages et de procéder au nettoyage, ou lorsque l'outil n'est pas utilisé. Le fait de retirer la pile permet d'empêcher un démarrage accidentel pouvant entraîner des blessures graves.

- Soulever le couvercle du bloc-piles.
- Insérer le bloc-piles dans le produit comme indiqué.
- Fermer le couvercle du bloc-piles.

## **AVERTISSEMENT :**

S'assurer que les loquets du bloc-piles s'enclenche et que le bloc-piles est installé et fixé correctement du bloc-moteur. avant de commencer le travail. Ne pas installer et fixer correctement le bloc-piles peut provoquer la chute de ce dernier et occasionner des blessures graves.

## **RETRAIT DU BLOC-PILES**

*Voir la figura 3.*

- Soulever le couvercle du bloc-piles.
- Appuyer sur les loquets du bloc-piles.
- Retirer le bloc-piles.
- Ouvrir le couvercle du bloc-piles.

## **AVERTISSEMENT :**

Pour éviter des blessures graves, toujours retirer le bloc-piles et tenir à distance de mains le verrouillage en portant l'outil.

Pour prendre connaissance des consignes de chargement, consulter le manuel d'utilisation des piles et des chargeurs.

## **HAUTEUR DE POIGNÉE RÉGLABLE**

*Voir la figura 4.*

L'angle de la poignée avant peut être réglé sur quatre positions.

- Retirer le bloc-piles.
- Tourner la goupille de libération du bouton de réglage de la poignée.
- Sélectionner un réglage confortable parmi les quatre options proposées.
- Remettre le réglage de la poignée en place de façon à ce que la goupille fixe la position choisie.

## **MISE EN MARCHÉ ET ARRÊT DE LA COUPE-BORDURES**

*Voir la figura 5.*

**Pour démarrer :**

- Appuyer et maintenir les poignées de verrouillage.
- Appuyer sur le bouton de démarrage.

# UTILISATION

## Pour arrancer :

- Relâcher les poignées de verrouillage pour arrêter le coupe-bordure.

## UTILISATION DU COUPE-BORDURES

Voir la figure 6.

- Tenir le coupe-bordure avec les deux mains sur la poignée.
- Garder une prise ferme avec les deux mains pendant le fonctionnement.
- Le coupe-bordure doit être tenu dans une position confortable, la poignée se trouvant à peu près à la hauteur des hanches.
- Utiliser le viseur du guide de la lame pour aligner la lame sur la zone à tailler.
- Le coupe-bordure permet de tailler le bord des trottoirs, des allées, des plates-bandes, des bordures de trottoir et d'autres zones similaires.
- Avancez à un rythme régulier. Si la lame commence à s'enliser, la coupe est trop rapide; ralentir. Ne pas forcer la lame dans le sol.
- Un léger contact de la lame contre le bord du trottoir, de la bordure, etc. est acceptable et n'endommagera pas le coupe-bordure.
- Le meilleur aspect est obtenu lorsque l'herbe est sèche. Éviter de couper les bordures dans un sol ou un gazon humide, car le protège-lame risque de s'encrasser et de produire une bordure irrégulière.
- Si le protège-lame est encrassé, arrêter le coupe-bordure, retirer le bloc-piles et retirer les débris du protège-lame. Utiliser le balai de protection pour éliminer les débris.



### AVERTISSEMENT :

Toujours tenir le coupe-bordures distance de soi en maintenant un périmètre de sécurité entre le corps et la tondeuse à fouet. Tout contact avec la tête de coupe de la coupe-bordures en cours d'utilisation peut causer des blessures graves.

## RÉGLAGE DE LA VITESSE DE LA LAME

Voir la figure 7.

La vitesse de la lame peut être réglée en faisant glisser le bouton d'avant en arrière.

## RÉGLAGE DE LA PROFONDEUR DE COUPE

Voir la figure 8.

Il existe 4 positions de profondeur, 12,7 à 50,8 mm.

- Retirer le bloc-piles.
- Tourner la palette pour relever ou abaisser la roue du coupe-bordure avant afin de régler la profondeur de coupe.
- Tourner la palette en position de verrouillage complet lorsque la hauteur souhaitée est réglée.

**NOTE :** Régler initialement la profondeur de coupe entre 13 à 25 mm (1/2 po à 1 po). Faire une coupe peu profonde pour tester la profondeur de coupe. Si celle-ci doit être modifiée, le faire progressivement jusqu'à ce que la profondeur voulue soit atteinte.

## RÉGLAGE DE HAUTEUR DE LA ROUE

Voir la figure 9.

Cette fonction permet de réaliser des bordures sur des surfaces irrégulières, par exemple le long des trottoirs.

- Retirer le bloc-piles.
- Tourner la palette pour lever ou abaisser la roue arrière afin d'ajuster la hauteur d'une surface irrégulière telle qu'un trottoir.
- Tourner la palette en position de verrouillage complet lorsque la hauteur souhaitée est réglée.

## GUIDE DU COUPE-BORDURE

Voir la figure 10.

Protéger les bordures de trottoir et les autres surfaces pour qu'elles ne soient pas endommagées par la lame du coupe-bordures.

- Retirer le bloc-piles.
- Relever ou abaisser le levier pour régler le bouclier de protection.
- Verrouiller en place en faisant glisser le levier sur l'onglet pour le fixer.
- Utiliser le viseur du guide de la lame pour aligner la lame sur la zone à tailler.

# ENTRETIEN

## **AVERTISSEMENT :**

Pour empêcher un démarrage accidentel pouvant entraîner des blessures graves, toujours retirer le piles de l'produit avant tout nettoyage ou entretien.

## **AVERTISSEMENT :**

Toujours porter une protection oculaire avec écrans latéraux certifiée conforme à la norme ANSI Z87.1. Si cette précaution n'est pas prise, des objets peuvent être projetés dans les yeux et causer des lésions graves.

## **AVERTISSEMENT :**

Utiliser exclusivement des pièces d'origine pour les réparations. L'usage de toute autre pièce pourrait créer une situation dangereuse ou endommager l'produit.

## **AVIS :**

Inspecter périodiquement au complet le produit afin de s'assurer qu'aucune pièce (vis, écrous, boulons, chapeaux, etc.) n'est endommagée, manquante ou desserrée. Serrer solidement toutes les pièces de fixation et les chapeaux et ne pas utiliser le produit tant que toutes les pièces manquantes ou endommagées n'ont pas été remplacées. Pour obtenir de l'aide, veuillez communiquer avec le Service à la clientèle ou un centre de réparations qualifié.

## **ENTRETIEN GÉNÉRAL**

Éviter d'utiliser des solvants pour le nettoyage des pièces en plastique. La plupart des matières plastiques peuvent être endommagées par divers types de solvants du commerce. Utiliser un chiffon propre pour éliminer la saleté, la poussière, l'huile, la graisse, etc.

## **AVERTISSEMENT :**

Ne jamais laisser de liquides tels que le fluide de freins, l'essence, les produits à base de pétrole, les huiles pénétrantes, etc., entrer en contact avec les pièces en plastique. Les produits chimiques peuvent endommager, affaiblir ou détruire le plastique, ce qui pourrait entraîner des blessures graves.

## **REPLACEMENT DE LES LAME**

Voir la figure 11.

Remplacer les lames lorsqu'elles semblent usées ou lorsque vous remarquez que les performances du coupe-bordures diminuent.

**NOTE:** Toujours porter des gants lors de la manipulation de la lame.

- Retirer le bloc-piles.
- Retirer la goupille de blocage.
- À l'aide de la Clé pour lame (fournie), tourner l'écrou de la lame dans le sens inverse des aiguilles d'une montre pour le desserrer.
- Appuyer sur le bouton de verrouillage de la lame et le maintenir enfoncé tout en faisant tourner la lame jusqu'à ce qu'elle se verrouille en place.
- Retirer la lame usée de l'arbre de moteur.
- Nettoyer tous les débris de la zone.
- Centrer la nouvelle lame en s'assurant qu'elle repose à plat sur le boîtier.
- Réinstaller l'écrou de lame et serrer fermement.
- Replacer la goupille de blocage pour la fixer.

Cette pièce de rechange peut être obtenue chez le détaillant qui a vendu l'outil ou en appelant le 1-800-525-2579.

## **AVERTISSEMENT :**

Avant chaque utilisation, toujours s'assurer que la lame est correctement installée et bien fixée. Une lame mal installée peut provoquer des blessures graves.

## **REMISAGE DE LA COUPE-BORDURES**

**NOTE:** Le réglage de l'angle de la poignée permet de ranger le coupe-bordure à la verticale. Régler la poignée de manière à ce que le manche du coupe-bordure soit plat.

- Retirer le bloc-piles du bloc-moteur avant le rangement.
- Nettoyer soigneusement la tondeuse à fouet.
- Utiliser le balai de protection pour éliminer les débris autour de la lame.
- La remiser dans un endroit inaccessible aux enfants.
- Le tenir à l'écart de produits corrosifs, tels que les produits chimiques de jardinage et le sel de dégivrage.

## **PIÈCES DE RECHANGE**

Appeler le service à la clientèle au 1 800 525-2579 pour demander des pièces de rechange.

Lame de rechange.....AC04215

# DÉPANNAGE

PROBLÈME	CAUSE POSSIBLE	SOLUTION
Le moteur ne démarre pas quand change la gâchette.	La pile n'est pas fixée.  La pile n'est pas chargée.	Pour la fixer, s'assurer que le loquet (ou les loquets) de la pile sont enclenchés.  Charger la pile conformément aux instructions fournis avec ce modèle.



## NOUS APPELER D'ABORD

Pour toute question concernant l'utilisation ou l'entretien utiliser ce produit, appeler le service d'assistance téléphonique Ryobi!

Le taille-bordures à été entièrement testé avant expédition pour assurer la complète satisfaction de l'utilisateur.

**Ce produit est accompagné d'une garantie limitée de cinq (5) ans pour utilisation personnel, familiales ou domestiques (90 jours pour utilisation affaires ou commerciaux). Pour obtenir les détails de la garantie, visiter le site [www.ryobitools.com](http://www.ryobitools.com) ou appeler (sans frais) au 1-800-525-2579.**

# REGLAS DE SEGURIDAD GENERALES



## ADVERTENCIA:

Al utilizar herramientas eléctricas para el cuidado del jardín, con el fin de reducir el riesgo de incendio, descargas eléctricas y lesiones corporales, siempre deben seguirse ciertas medidas básicas de precaución.

## LEA TODAS LAS INSTRUCCIONES

- Para la operación segura, lea y entienda todas las instrucciones antes de usar este producto. Siga todas las instrucciones de seguridad. La inobservancia de todas las instrucciones de seguridad señaladas abajo puede causar lesiones corporales graves.
- No permita que utilicen esta unidad niños ni personas carentes de la debida instrucción para su manejo.
- Limpie el área de trabajo cada vez antes de usar la unidad. Retire todos los objetos tales como piedras, vidrios rotos, clavos, alambre o cuerdas que pudiesen resultar lanzados o enredados en el hilo de corte o hoja, según sea el caso.
- Cuando utilice este producto, siempre póngase protección ocular con protección lateral con la marca de cumplimiento de la norma ANSI Z87.1, junto con protección auditiva.
- Use gafas de seguridad – Siempre utilice una mascarilla para el rostro o antipolvo si se genera polvo durante la operación.
- Protéjase los pulmones. Use una careta o mascarilla contra el polvo si la operación genera mucho polvo. Con el cumplimiento de esta regla se reduce el riesgo de lesiones serias.
- Vístase adecuadamente – Se recomienda el uso de guantes de goma y un calzado resistente cuando se trabaja a la intemperie. Póngase pantalones largos de tela gruesa, mangas largo, botas y guantes. No se ponga ropa holgada o pantalones cortos, ni ande descalzo. No se ponga joyas de ninguna clase.
- Recójase el cabello largo arriba del nivel de los hombros para evitar que se enrede en las piezas móviles.
- Mantenga alejados a los niños – Mantenga alejados a todos los circunstantes, niños y animales a una distancia mínima de 15 m (50 pies).
- Permanezca alerta – Preste atención a lo que está haciendo. Use el sentido común. No use esta unidad cuando se encuentre fatigado, enfermo o bajo los efectos del alcohol, drogas o medicamentos.
- No utilice la unidad en condiciones deficientes de iluminación.
- Mantenga todas las partes del cuerpo alejadas de toda pieza en movimiento.
- No utilice herramientas motorizadas en atmósferas explosivas, como las existentes alrededor de líquidos, gases y polvos inflamables. Las herramientas eléctricas generan chispas que pueden encender el polvo y los vapores inflamables.
- En ninguna circunstancia, use accesorio o accesorio alguno en este producto, que no se haya suministrado con el producto mismo, o que no esté identificado como apropiado para el uso con este producto en el manual del operador.
- Evite los entornos de trabajo peligrosos – No exponga las aparato or herramienta eléctricas a la lluvia ni a condiciones de humedad. La introducción de agua en una herramienta eléctrica aumenta el riesgo de descargas eléctricas.
- Vístase adecuadamente – No fuerce la herramienta. Utilice la herramienta adecuada para cada tarea.
- No fuerce la herramienta – El uso de la herramienta adecuada a la velocidad para la que está diseñada, efectuará el trabajo de mejor y más segura manera.
- No accione el equipo cuando esté descalzo o al llevar puestas sandalias o calzado liviano similar. Use calzado de seguridad que le proteja sus pies y mejore su postura en superficies resbaladizas.
- No estire el cuerpo para alcanzar mayor distancia – Mantenga los pies bien afirmados y el equilibrio. No trate de alcanzar demasiado lejos. Se puede perder el equilibrio al tratar de alcanzar demasiado lejos.
- Evite un arranque accidental de la unidad – Asegúrese de que el interruptor esté en la posición de aseguramiento o de apagado antes de instalar el paquete de baterías. Llevar las herramientas con el dedo en el interruptor o instalar el paquete de baterías en la herramienta con el interruptor puesto es causa común de accidentes.
- No utilice la herramienta si el interruptor no enciende o no apaga. Una herramienta que no pueda controlarse con el interruptor es peligrosa y debe repararse.
- Desconecte recortadora de bordes – Desconecte el paquete de la batería del artefacto antes de guardar, reparar o cambiar la hoja o cuando no la utilice. Con tales medidas preventivas de seguridad se reduce el riesgo de poner en marcha accidentalmente la herramienta.
- Sólo utilice piezas de repuesto idénticas y accesorios del fabricante original. El empleo de piezas diferentes puede causar un peligro o dañar el producto.
- Revise para ver si hay piezas dañadas – Antes de seguir utilizando la herramienta, es necesario inspeccionar cuidadosamente toda protección o pieza dañada para determinar si funcionará correctamente y desempeñará la función a la que está destinada. Verifique la alineación de las partes móviles, que no haya atoramiento de partes móviles, que no haya piezas rotas, el montaje de las piezas y cualquier otra condición que pudiera afectar su funcionamiento. Toda protección o pieza que esté dañada debe repararse apropiadamente o reemplazarse en un centro de servicio autorizado para evitar todo riesgo de lesiones.



# REGLAS DE SEGURIDAD GENERALES




- Mantenga las manos y los pies alejados del área de corte.
- Asegúrese de que todos los protectores, las correas, los deflectores y los mangos estén sujetos de manera adecuada y segura. Mantenga los protectores en su lugar y en funcionamiento.
- Guarde en el interior los artefactos que no esté usando - Mientras no se esté utilizando, la recortadora de hilo debe almacenarse en el interior, en un sitio seco y bajo llave, lejos del alcance de los niños.
- Mantenga las rejillas de ventilación limpias y sin desechos para evitar que se recaliente el motor. Límpielas cada vez, después de usar la herramienta.
- Apague la unidad y desconecte el suministro de corriente cuando no esté en uso. Traslade la unidad con el motor apagado.
- No sujete las hojas de corte al levantar o sujetar los artefacto.
- Mantenga el electrodoméstico con cuidado: mantenga el borde de corte afilado para obtener el máximo rendimiento y reducir el riesgo de lesiones. Siga las instrucciones para lubricar y cambiar los accesorios. Inspeccione el cable del aparato periódicamente y, si está dañado, llévelo a reparar a un centro de servicio autorizado. Inspeccione los cables de extensión periódicamente y reemplácelos si están dañados. Mantenga los mangos secos, limpios y libres de aceite y grasa.
- Guarde la unidad desenchufada y fuera del alcance de los niños.
- No cuelgue la unidad de modo que el gatillo del interruptor quede presionado.
- Las herramientas de baterías no se necesitan conectar a una toma de corriente; por lo tanto, siempre están en condiciones de funcionamiento. Esté consciente de los posibles peligros cuando no esté usando la herramienta de baterías o cuando esté cambiando los accesorios de la misma. Siempre encaje la palanca de seguro antes de colocar la recortadora en el cargador montado en la pared. Con el cumplimiento de esta regla se reduce el riesgo de una descarga eléctrica, incendio o lesión corporal seria.
- No cargue herramientas de baterías en lugares mojados o húmedos. Con el cumplimiento de esta regla se reduce el riesgo de una descarga eléctrica.
- No use aparatos accionados por baterías en la lluvia.
- Quite o desconecte la batería cuando no se está cargando, y antes de proporcionarle servicio, realizarle una limpieza, quitar material del aparato para el cuidado del jardín, o antes de almacenarla.
- Usar este producto únicamente con la baterías y el cargadores indicados en el folleto de la herramienta/aparato/paquete de baterías/cargador complementario 988000-842.
- No deseche las baterías en el fuego. Las baterías pueden estallar. Verifique los códigos de la localidad para conocer posibles instrucciones especiales para desecharlas.
- No desarme el paquete de baterías. El electrolito emitido es corrosivo y puede causar daños en los ojos y en la piel. Puede ser tóxico si se ingiere.
- No coloque herramientas de baterías ni las baterías mismas cerca del fuego o del calor. De esta manera se reduce el riesgo de explosiones y de lesiones.
- Las baterías pueden explotar en presencia de una fuente de inflamación, como una luz guía. Para reducir el riesgo de lesiones corporales serias, nunca use un producto inalámbrico en presencia de llamas expuestas. La explosión de una pila puede lanzar fragmentos y compuestos químicos. Si ha quedado expuesto a la explosión de una pila, lávese de inmediato con agua.
- No aplaste, deje caer o dañe la pila. Nunca utilice una pila o cargador que se ha caído, aplastado, recibido un golpe contundente o ha sido dañado(a) de alguna manera. Las baterías dañadas pueden sufrir explosiones. Deseche de inmediato toda pila que haya sufrido una caída o cualquier daño.
- Tenga cuidado cuando maneje baterías a fin de no realizar un cortocircuito en la batería con materiales conductores como anillos, brazaletes y llaves. La batería o el conductor pueden recalentarse y provocar quemaduras.
- Para obtener resultados óptimos, debe cargar la herramienta de baterías en un lugar donde la temperatura esté entre 50°F y 100°F. No guarde la herramienta a la intemperie ni en el interior de vehículos.
- En condiciones extremas de uso o temperatura las baterías pueden emanar líquido. Si el líquido llega a tocarle la piel, lávese de inmediato con agua y jabón. Si le entra líquido en los ojos, láveselos con agua limpia por lo menos 10 minutos, y después busque de inmediato atención médica. Con el cumplimiento de esta regla se reduce el riesgo de lesiones corporales serias.
- No exponga la batería o herramienta al fuego o a temperaturas excesivas. La exposición al fuego o a una temperatura superior a los 130 °C (265 °F) puede provocar explosiones.
- Siga todas las instrucciones de carga y no cargue la batería ni el aparato fuera del rango de temperaturas especificado en las instrucciones. Si realiza la carga en forma inapropiada o fuera de la temperatura del rango especificado, puede dañar la batería y aumentar el riesgo de incendios.
- Asegúrese de que un técnico de reparación calificado haga el mantenimiento usando solo repuestos idénticos.
- De esta manera, mantendrá la seguridad del producto.
- No modifique ni intente reparar el dispositivo ni la batería (según corresponda), excepto como se indica en las instrucciones de uso y cuidado.

# REGLAS DE SEGURIDAD ESPECÍFICAS











- Si la hoja está desafilada o desgastada, cámbiela; no intente afilarla.
- Use esta recortadora de bordes a lo largo de aceras, caminos de entrada, macizos de flores y áreas similares. No la use para ningún otro propósito.
- Familiarícese completamente con todos los controles. Aprenda la forma de apagar la unidad y de desactivar los controles con rapidez.
- No utilice la recortadora de bordes en la lluvia en superficies de grava ni cerca de las mismas.
- Familiarícese con el área donde está cortando los bordes. Esté consciente del desnivel de las aceras, de todo agujero existente en el terreno y de toda condición peligrosa similar (Por ejemplo: alambre o cable, segmentos de los cuales pueden desprenderse y convertirse en peligrosos proyectiles). En terreno áspero siempre empuje lentamente el accesorio para recortar bordes.
- No intente retirar material cortado ni sujetar material por cortar mientras esté funcionando el motor o esté girando la hoja de corte.
- La hoja de corte puede causar lesiones en su giro de inercia después de apagar el motor o de soltar el gatillo del acelerador. Mantenga un control adecuado de la herramienta hasta que se detenga por completo la hoja de corte.
- Verifique que la tuerca de la hoja esté ajustada antes de utilizar.
- Si no se monta la unidad correctamente, se puede producir una situación peligrosa.
- Nunca debe pararse ni colocar ninguna parte de su cuerpo en la línea de corte de la hoja para cortar bordes.
- Si la recortadora bordes toca cualquier objeto extraño:
  - a) Apague la recortadora de bordes y desconecte el cable de la bujía o desconecte la unidad del suministro de corriente.
  - b) Inspeccione la para recortar bordes para ver si está dañado.
  - c) Corrija todo daño presente antes de utilizar la para cortar bordes. La inobservancia de esta advertencia puede causar lesiones corporales serias.
- Siempre apague el motor y retire el paquete de pilas antes de intentar retirar cualquier obstrucción atrapada o atorada en la hoja, antes de instalar cualquier accesorio o de realizar cualquier ajuste.
- Guarde estas instrucciones. Consúltelas con frecuencia y empléelas para instruir a otras personas que puedan utilizar esta herramienta. Si presta a alguien esta herramienta, facilítele también las instrucciones.

# SÍMBOLOS

Las siguientes palabras de señalización y sus significados tienen el objeto de explicar los niveles de riesgo relacionados con este producto.

SÍMBOLO	SEÑAL	SIGNIFICADO
	<b>PELIGRO:</b>	Indica una situación peligrosa, la cual, si no se evita, causará la muerte o lesiones serias.
	<b>ADVERTENCIA:</b>	Indica una situación peligrosa, la cual, si no se evita, podría causar la muerte o lesiones serias.
	<b>PRECAUCIÓN:</b>	Indica una situación peligrosa la cual, si no se evita, puede causar lesiones leves o moderadas.
	<b>AVISO:</b>	(Sin el símbolo de alerta de seguridad) Indica la información que se considera importante, pero no relacionada con lesiones potenciales (por ej. en relación a daños a la propiedad).

Es posible que se empleen en este producto algunos de los siguientes símbolos. Le suplicamos estudiarlos y aprender su significado. Una correcta interpretación de estos símbolos le permitirá utilizar mejor y de manera más segura el producto.

SÍMBOLO	NOMBRE	DENOMINACIÓN/EXPLICACIÓN
	Alerta de seguridad	Indica un peligro posible de lesiones personales.
	Lea manual del operador	Para reducir el riesgo de lesiones, el usuario debe leer y comprender el manual del operador antes de usar este producto.
	Protección ocular	Siempre póngase protección ocular con protección lateral con la marca de cumplimiento de la norma ANSI Z87.1.
	Alerta de condiciones húmedas	No exponga la unidad a la lluvia ni la use en lugares húmedos.
	Peligro de corte	Mantenga las manos y los pies alejados de la hoja giratoria.
	Mantenga alejadas a las personas presentes	Mantenga alejados a los observadores a un mínimo de 15 m (50 pies) de distancia.
	Rebote	Mantenga los pies y las manos alejados de las aspas.
	Objetos lanzados	Objetos lanzados peligro ; Mantenga a los circunstantes a una distancia mínima de 15 m (50 pies).
	Giro de la hoja de corte	Sentido de rotación la hoja de corte
	Símbolo de reciclado	Este producto utiliza baterías de iones de litio (Li-ion). Es posible que algunas leyes municipales, estatales o federales prohíban desechar las baterías en la basura normal. Consulte a las autoridades reguladoras de desechos para obtener información en relación con las alternativas de reciclado y desecho disponibles.

# SÍMBOLOS

Es posible que se empleen en este producto algunos de los siguientes símbolos. Le suplicamos estudiarlos y aprender su significado. Una correcta interpretación de estos símbolos le permitirá utilizar mejor y de manera más segura el producto.

SÍMBOLO	NOMBRE	DENOMINACIÓN/EXPLICACIÓN
—	Corriente continua	Tipo o característica de corriente
$n_0$	Velocidad en vacío	Velocidad de rotación, en vacío
.../min	Por minuto	Revoluciones, carreras, velocidad superficial, órbitas, etc., por minuto
V	Volts	Voltaje
Hz	Hertz	Frecuencia (ciclos por segundo)
min	Minutos	Tiempo

# CARACTERÍSTICAS

## ESPECIFICACIONES DEL PRODUCTO

Motor.....40 V, corr. cont.  
Longitud de la hoja.....228,6 mm (9 pulg.)  
Profundidad del recorte.....Adjustable entre 12,7 mm a 50,8 mm (1/2 pulg. y 2 pulg.)

## FAMILIARÍCESE CON EL PRODUCTO

Vea la figura 1.

El uso seguro que este producto requiere la comprensión de la información impresa en la producto y en el manual del operador así como ciertos conocimientos sobre el proyecto a realizar. Antes de usar este producto, familiarícese con todas las características de funcionamiento y normas de seguridad.

### SELECTOR DE AJUSTE DE PROFUNDIDAD

El selector de ajuste de profundidad permite al usuario controlar la profundidad de corte. Ajuste la profundidad de la cuchilla de 12,7 mm a 50,8 mm.

### SELECTOR DE AJUSTE DE RUEDA

El selector de ajuste de rueda permite bordear en áreas de varios niveles, como bordillos y patios.

### LIMPIADOR DEL PROTECTOR

El limpiador del protector elimina los recortes y la suciedad del área de la cuchilla.

### SEGURO

Seguro integrado de apagado para evitar arranques accidentales.

### MANGO PIVOTANTE

El conjunto del mango se puede girar 90 grados para facilitar la operación y ayuda a prevenir la pérdida de control.

# ARMADO

## DESEMPAQUETADO

Embarcamos este producto completamente armado.

- Extraiga cuidadosamente de la caja la producto y los accesorios. Asegúrese de que estén presentes todos los artículos enumerados en la lista de empaquetado.

### **ADVERTENCIA:**

No utilice este producto si alguna pieza incluida en la lista de empaquetado ya está ensamblada al producto cuando lo desempaqueta. El fabricante no ensambla las piezas de esta lista en el producto. Éstas deben ser instaladas por el usuario. El uso de un producto que puede haber sido ensamblado de forma inadecuada podría causar lesiones personales graves.

- Inspeccione cuidadosamente la producto para asegurarse de que no haya sufrido ninguna rotura o daño durante el transporte.
- No deseche el material de empaquetado hasta que haya inspeccionado cuidadosamente la producto y la haya utilizado satisfactoriamente.
- Si hay piezas dañadas o faltantes, le suplicamos llamar al 1-800-525-2579, donde le brindaremos asistencia.

## LISTA DE EMPAQUETADO

Bordeadora

Conjunto del mango

Tornillos (2)

llave de hoja

sujetador de cable (2)

Manual del operador

### **ADVERTENCIA:**

Si faltan piezas, no utilice este producto sin haber reemplazado todas las piezas faltantes. Usar este producto con partes dañadas o faltantes puede causar lesiones serias al operador.

### **ADVERTENCIA:**

No intente modificar este producto ni hacer accesorios no recomendados para la misma. Cualquier alteración o modificación constituye maltrato el cual puede causar una condición peligrosa, y como consecuencia posibles lesiones corporales serias.

### **ADVERTENCIA:**

Para evitar un arranque accidental que podría causar lesiones corporales serias, siempre desmonte de la herramienta el paquete de pilas al montarle piezas a aquélla.

## COLOCACIÓN DEL CONJUNTO DEL MANGO

*Vea la figura 2.*

- Retire la batería si está instalada.
- Ubique y alinee los orificios del conjunto del mango con las marcas de los tornillos del conjunto de la bordeadora.  
**NOTA:** Asegúrese de que los orificios y las marcas estén alineados para colocar correctamente el mango pivotante.
- Inserte el conjunto del mango en el conjunto de la bordeadora.
- Inserte los dos tornillos proporcionados para conectar los tubos como se muestra en la imagen.
- Coloque los ganchos para cables en el tubo. Inserte los cables en los ganchos.

**NOTA:** Tenga cuidado de no doblar, torcer o pellizcar los cables.

**NOTA:** Si el mango está girado 90 grados, presione el botón del mango pivotante para regresar el mango a su posición de funcionamiento normal

# FUNCIONAMIENTO

## **ADVERTENCIA:**

No permita que su familiarización con las herramientas lo vuelva descuidado. Tenga presente que un descuido de un instante es suficiente para causar una lesión grave.

## **ADVERTENCIA:**

Siempre póngase protección ocular con protección lateral con la marca de cumplimiento de la norma ANSI Z87.1. La inobservancia de esta advertencia puede permitir que los objetos lanzados hacia los ojos y otros provocar lesiones graves.

## **ADVERTENCIA:**

Nunca use dispositivos móviles, alambre ni cuerdas en este producto. No utilice ningún aditamento o accesorio no recomendado por el fabricante de esta herramienta. El empleo de aditamentos o accesorios no recomendados podría causar lesiones serias.

## **AVISO:**

Antes de cada uso, inspeccione todo el producto para detectar partes dañadas, faltantes o sueltas, como tornillos, tuercas, pernos, tapas, etc. Apriete firmemente todos los sujetadores y las tapas y no accione este producto hasta que todas las partes faltantes o dañadas sean reemplazadas. Póngase en contacto con el servicio al cliente o con un centro de servicio calificado para obtener ayuda.

## **INSTALACIÓN DEL PAQUETE DE BATERÍAS**

*Vea la figura 3.*

## **ADVERTENCIA:**

Retire siempre el paquete de baterías de la herramienta antes de instalar las piezas, realizar ajustes o limpiarla. Retirar el paquete de baterías evitará que la unidad se accione accidentalmente y provoque lesiones graves.

- Levante la tapa de la batería.
- Inserte la batería en el producto como se muestra en la imagen.
- Cierre la tapa de la batería.

## **ADVERTENCIA:**

Asegúrese de que los pestillos del paquete de baterías insertada en su lugar y que el paquete de baterías esté totalmente asentado y firme en la recortadora de bordes antes de poner la máquina en funcionamiento. No asentar el paquete de baterías correctamente podría provocar que el paquete de baterías se caiga y cause lesiones personales graves.

## **EXTRACCIÓN DEL PAQUETE DE BATERÍAS**

*Vea la figura 3.*

- Levante la tapa de la batería.
- Presione los pestillos de la batería.
- Quite la batería.
- Cierre la tapa de la batería.

## **ADVERTENCIA:**

Para evitar lesiones corporales serias, siempre desmonte de la herramienta el paquete de baterías y mantenga manos vacías del botón del seguro al llevar herramienta.

Para obtener instrucciones específicas de carga, lea el manual del operador que se incluye con el cargador y la batería.

## **ALTURA DEL MANGO AJUSTABLE**

*Vea la figura 4.*

El ángulo del mango delantero se puede ajustar en cuatro posiciones.

- Quite la batería.
- Gire el pasador de liberación de la perilla de ajuste del mango.
- Seleccione una configuración cómoda entre las cuatro opciones.
- Vuelva a girar el ajuste del mango para colocarlo en su lugar de modo que el pasador asegure la posición seleccionada.

# FUNCIONAMIENTO

## ENCENDIDO Y APAGADO DEL RECORTADORA DE BORDES

Vea la figura 5.

### Para encender:

- Mantenga presionados los mangos de bloqueo.
- Presione el botón de arranque.

### Para apagar:

- Suelte los mangos de bloqueo para detener la bordeadora.

## OPERACIÓN DEL RECORTADORA DE BORDES

Vea la figura 6.

- Sostenga la bordeadora con ambas manos con el conjunto del mango.
- Agarre la herramienta firmemente con ambas manos mientras la usa.
- La bordeadora debe sostenerse en una posición cómoda con el conjunto del mango a la altura de la cadera.
- Utilice la mira de la guía de la cuchilla para alinear la cuchilla con el área que desea bordear.
- La bordeadora cortará en aceras, entradas de vehículos, canchales, bordillos y áreas similares.
- Corte de forma continua. Si la cuchilla comienza a atascarse, significa que usted está avanzando demasiado rápido; ralentice el paso. No fuerce la cuchilla contra el suelo.
- El contacto ligero de la cuchilla contra el borde de la acera, bordillo, etc. es aceptable y no dañará la bordeadora.
- La mejor apariencia del trabajo se logra cuando la hierba está seca. Evite bordear en tierra mojada o áreas de césped mojado; caso contrario, el protector de la cuchilla podría obstruirse y esta podría bordear de manera despareja.
- Si el protector de la cuchilla se obstruye, detenga la bordeadora, retire la batería y elimine la suciedad del protector. Utilice el limpiador del protector para limpiar la suciedad.



### ADVERTENCIA:

Siempre sujete la recortadora de bordes lejos del cuerpo, manteniendo un espacio entre el cuerpo y la herramienta. Cualquier contacto con el cabezal del recortadora de bordes con hojas con la recortadora en funcionamiento puede causar lesiones personales de gravedad.

## AJUSTE DE VELOCIDAD DE LA CUCHILLA

Vea la figura 7.

La velocidad de la hoja se puede ajustar deslizando el botón hacia adelante y hacia atrás.

## AJUSTE DE LA PROFUNDIDAD DE CORTE

Vea la figura 8.

Hay cuatro posiciones de profundidad: de 12,7 mm a 50,8 mm.

- Quite la batería.
- Gire el selector para subir o bajar la rueda delantera de la bordeadora a fin de ajustar la profundidad de corte.
- Gire el selector a la posición completamente bloqueada cuando establezca la altura deseada.

**NOTA:** Inicialmente ajuste la profundidad de la hoja de 13 mm a 25 mm (de 1/2 pulg. a 1 pulg.). Efectúe un corte superficial para probar la profundidad de corte. Si la profundidad de corte necesita ajuste, debe efectuarse de manera progresiva hasta lograrse la profundidad deseada.

## AJUSTE DE RUEDA

Vea la figura 9.

Esta función permite bordear en superficies irregulares, por ejemplo, a lo largo de bordillos.

- Quite la batería.
- Gire el selector para subir o bajar la rueda trasera a fin de ajustar la altura de una superficie irregular, como un bordillo.
- Gire el selector a la posición completamente bloqueada cuando establezca la altura deseada.

## GUÍA DE BORDEADORA

Vea la figura 10.

Proteja los bordillos y otras superficies para que no se dañen con la cuchilla de la bordeadora.

- Quite la batería.
- Suba o baje la palanca para ajustar el protector.
- Bloquee la palanca en su lugar deslizando sobre la lengüeta para asegurarla.
- Utilice la mira de la guía de la cuchilla para alinear la cuchilla con el área que desea bordear.

# MANTENIMIENTO

## **ADVERTENCIA:**

Para evitar lesiones serias, siempre retire el paquete de baterías de la herramienta cuando la limpie o durante cualquier mantenimiento.

## **ADVERTENCIA:**

Siempre póngase protección ocular con protección lateral con la marca de cumplimiento de la norma ANSI Z87.1 junto con protección para los oídos. La inobservancia de esta advertencia puede permitir que los objetos lanzados hacia los ojos y otros provocar lesiones graves.

## **ADVERTENCIA:**

Al dar servicio a la unidad, sólo utilice piezas de repuesto idénticas. El empleo de piezas diferentes puede causar un peligro o dañar el producto.

## **AVISO:**

Inspeccione periódicamente todo el producto para detectar partes dañadas, faltantes o sueltas, como tornillos, tuercas, pernos, tapas, etc. Apriete firmemente todos los sujetadores y las tapas y no accione este producto hasta que todas las partes faltantes o dañadas sean reemplazadas. Póngase en contacto con el servicio al cliente o con un centro de servicio calificado para obtener ayuda.

## **MANTENIMIENTO GENERAL**

Evite el empleo de solventes al limpiar piezas de plástico. La mayoría de los plásticos son susceptibles a diferentes tipos de solventes comerciales y pueden resultar dañados. Utilice paños limpios para eliminar la suciedad, el polvo, el aceite, la grasa, etc.

## **ADVERTENCIA:**

No permita en ningún momento que fluidos para frenos, gasolina, productos a base de petróleo, aceites penetrantes, etc., lleguen a tocar las piezas de plástico. Los productos químicos pueden dañar, debilitar o destruir el plástico, lo cual puede causar lesiones serias.

## **REEMPLAZO DEL LAS HOJA**

*Vea la figura 11.*

Reemplace las cuchillas cuando parezcan gastadas o cuando note que el rendimiento de la bordeadora disminuye.

**NOTA:** Utilice siempre guantes al manipular la cuchilla.

- Quite la batería.
- Retire el pasador de enganche.
- Usando la llave de hoja (incluida), gire la tuerca de la cuchilla hacia la izquierda para aflojarla.
- Mantenga presionado el botón de bloqueo de la cuchilla mientras la gira hasta que quede bloqueada.
- Quite la cuchilla vieja del eje del motor.
- Limpie la suciedad del área.
- Centre la nueva cuchilla asegurándose de que quede plana sobre la carcasa.
- Vuelva a colocar la tuerca de la cuchilla y ajústela bien.
- Coloque nuevamente el pasador de enganche.

Esta pieza de reemplazo está disponible en el lugar de la compra, o llamando al 1-800-525-2579.

## **ADVERTENCIA:**

Cada vez antes de usar la unidad asegúrese de que la hoja esté instalada correctamente y firmemente asegurada. Si no instala correctamente la hoja, puede provocar lesiones personales graves.

## **ALMACENAMIENTO DE LA RECORTADORA DE BORDES**

**NOTA:** El ajuste del ángulo del mango permite almacenar la bordeadora verticalmente. Establezca el ajuste del mango de modo que el mango de la bordeadora quede plano.

- Extraiga el paquete de la batería del cabezal eléctrico antes de guardarlo.
- Limpie toda materia extraña presente en la recortadora de bordes.
- Utilice el limpiador del protector para eliminar la suciedad alrededor de la cuchilla.
- Almacene la unidad en un espacio inaccesible a los niños.
- Mantenga la unidad alejada de agentes corrosivos como los productos químicos para el jardín y las sales para derretir el hielo.

## **REPUESTOS**

Llame a Servicio al cliente al 1-800-525-2579 para solicitar repuestos.

Hoja de repuesto .....AC04215



# SOLUCIÓN DE PROBLEMAS

PROBLÈME	CAUSA POSIBLE	SOLUTION
Le moteur ne démarre pas quand change la gâchette.	La batería no está fija.  La batería no está cargada.	Para fijar el paquete de baterías, asegúrese de que los pestillos situados a ambos lados del paquete de baterías entren completamente en su lugar con un chasquido.  Cargue el paquete de baterías según las instrucciones incluidas con su modelo.

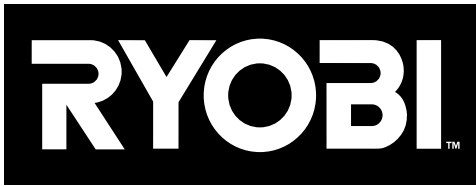


## LLÁMENOS PRIMERO

¡Si tiene preguntas sobre el funcionamiento o el mantenimiento del producto, llame al teléfono de atención al consumidor de Ryobi!

Este producto ha sido probado enteramente antes de embarcarse para asegurar la completa satisfacción del consumidor.

**Este producto tiene una garantía limitada de cinco años para fines personales, familiares o domésticos (90 días para usos trabajo o comercial). Para obtener detalles sobre la garantía, diríjase a [www.ryobitools.com](http://www.ryobitools.com) o llame sin cargo al 1-800-525-2579.**



**OPERATOR'S MANUAL**  
**MANUEL D'UTILISATION / MANUAL DEL OPERADOR**  
**40 VOLT BRUSHLESS EDGER**  
**COUPE-BORDURES SANS BALAI DE 40 V**  
**RECORTADORA DE BORDES SIN ESCOBILLAS DE 40 V**

**RY40706**

• **PARTS AND SERVICE:** Prior to requesting service or purchasing replacement parts, please obtain your item, manufacturing, and serial numbers from the product data plate.

**ITEM NO.\*** \_\_\_\_\_ **MANUFACTURING NO.** \_\_\_\_\_

**SERIAL NO.** \_\_\_\_\_

\* Model/item number on product may have additional letters at the end. These letters designate manufacturing information and should be provided when calling for service.

**HOW TO OBTAIN REPLACEMENT PARTS:** Replacement parts can be purchased online at [www.ryobitools.com](http://www.ryobitools.com) or by calling 1-800-525-2579. Replacement parts can also be obtained at one of our service centers.

**HOW TO LOCATE A SERVICE CENTER:** Service centers can be located online at [www.ryobitools.com](http://www.ryobitools.com) or by calling 1-800-525-2579.

**HOW TO OBTAIN CUSTOMER OR TECHNICAL SUPPORT:** To obtain customer or technical support please contact us at 1-800-525-2579.

RYOBI is a trademark of Ryobi Limited and is used pursuant to a license granted by Ryobi Limited.

• **PIÈCES ET SERVICE :** Avant de faire la demande de service ou l'achat de pièces de remplacement, veuillez obtenir le numéro d'article, le numéro de fabrication et le numéro de série à partir de la plaque de données du produit.

**NUMÉRO D'ARTICLE\*** \_\_\_\_\_ **NUMÉRO DE FABRICATION** \_\_\_\_\_

**NUMÉRO DE SÉRIE** \_\_\_\_\_

\* Le numéro de modèle/article sur le produit peut contenir des lettres supplémentaires à la fin. Ces lettres désignent les informations du fabricant et doivent être fournies lors d'un appel de demande de service.

**COMMENT OBTENIR LES PIÈCES DE REMPLACEMENT :** Les pièces de remplacement peuvent être achetées en ligne sur le site [www.ryobitools.com](http://www.ryobitools.com) ou par téléphone au 1-800-525-2579. Les pièces de remplacement peuvent être obtenues à un de nos centres de service.

**COMMENT TROUVER UN CENTRE DE SERVICE :** Les centres de service peuvent être localisés en ligne au [www.ryobitools.com](http://www.ryobitools.com) ou en téléphonant au 1-800-525-2579.

**COMMENT OBTENIR DE L'AIDE EN CONTACTANT LE SERVICE À LA CLIENTÈLE :** Pour contacter le service à la clientèle pour une question technique ou pour tout autre renseignement, veuillez nous téléphoner au 1-800-525-2579.

RYOBI est une marque de Ryobi Limited et est utilisée en vertu d'une licence accordée par Ryobi Limited.

• **PIEZAS DE REPUESTO Y SERVICIO:** Antes de solicitar servicio técnico o comprar piezas de repuesto, obtenga su número de artículo, el número de fabricación y el número de serie de la placa de datos del producto.

**NÚMERO DE ARTÍCULO\*** \_\_\_\_\_ **NÚMERO DE FABRICACIÓN** \_\_\_\_\_

**NÚMERO DE SERIE** \_\_\_\_\_

\* El número de modelo/artículo que figura en el producto podría tener letras adicionales al final. Estas designan información de fabricación y deben suministrarse cuando llame para obtener asistencia o servicio.

**CÓMO OBTENER PIEZAS DE REPUESTO:** Las piezas de repuesto se pueden comprar en nuestro sitio en la red mundial, en la dirección [www.ryobitools.com](http://www.ryobitools.com) o llamando al 1-800-525-2579. Las piezas de repuesto también se pueden obtener en uno de nuestros centros de servicio.

**CÓMO LOCALIZAR UN CENTRO DE SERVICIO:** Puede encontrar los centros de servicio visitando nuestro sitio en la red mundial, en la dirección [www.ryobitools.com](http://www.ryobitools.com) or by calling 1-800-525-2579.

**CÓMO OBTENER SERVICIO O ASISTENCIA TÉCNICA AL CONSUMIDOR:** Para obtener servicio o asistencia técnica al consumidor, sírvase comunicarse con nosotros llamando al 1-800-525-2579.

RYOBI es una marca de Ryobi Limited y se utiliza conforme a una licencia otorgada por Ryobi Limited.

**TTI OUTDOOR POWER EQUIPMENT, INC.**

P.O. Box 1288, Anderson, SC 29622, USA  
1-800-525-2579 • [www.ryobitools.com](http://www.ryobitools.com)

998000737  
11-18-21 (REV:01)