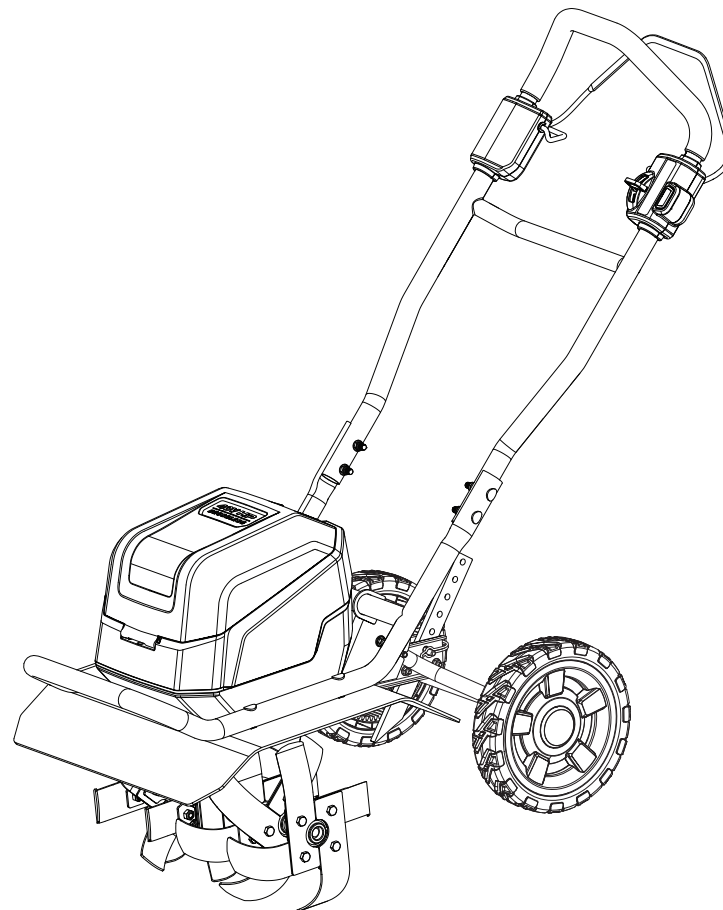


# REPAIR SHEET

BRAND <b>RYOBI</b>		DESCRIPTION <b>Front Tine Tiller</b>
MODEL NO. <b>RY40703VNM</b>	MFG. NO. <b>108750001</b>	

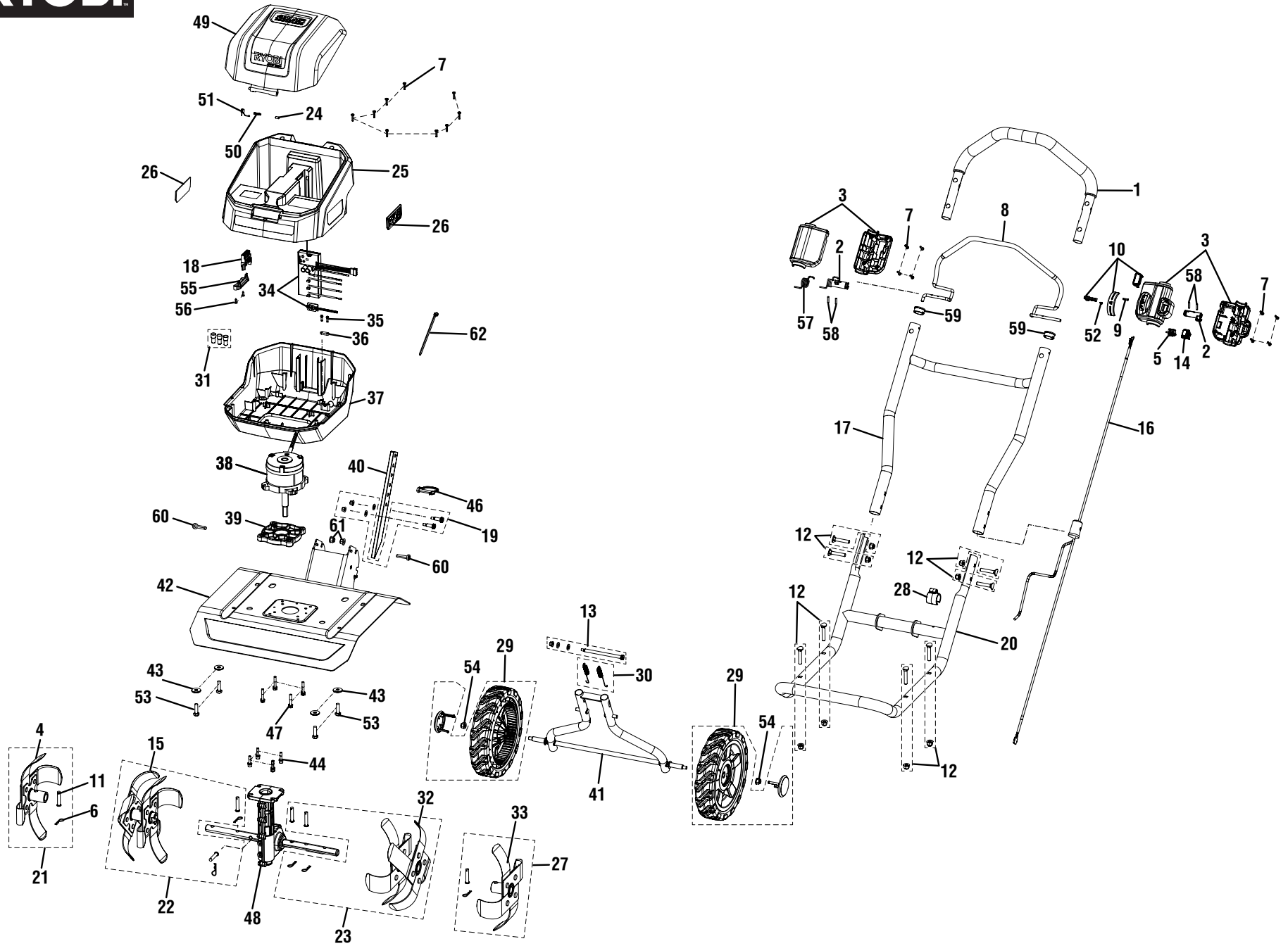


**TTI OUTDOOR POWER EQUIPMENT, INC.**

P.O. Box 1288, Anderson, SC 29622 ■ 1-800-525-2579 ■ [www.ryobitools.com](http://www.ryobitools.com)

9-14-22 (Rev:02)

*The model number and manufacturing location will be found on a label attached to the product. Always mention this information in all communications regarding this product and when ordering parts.*





# RY40703VNM

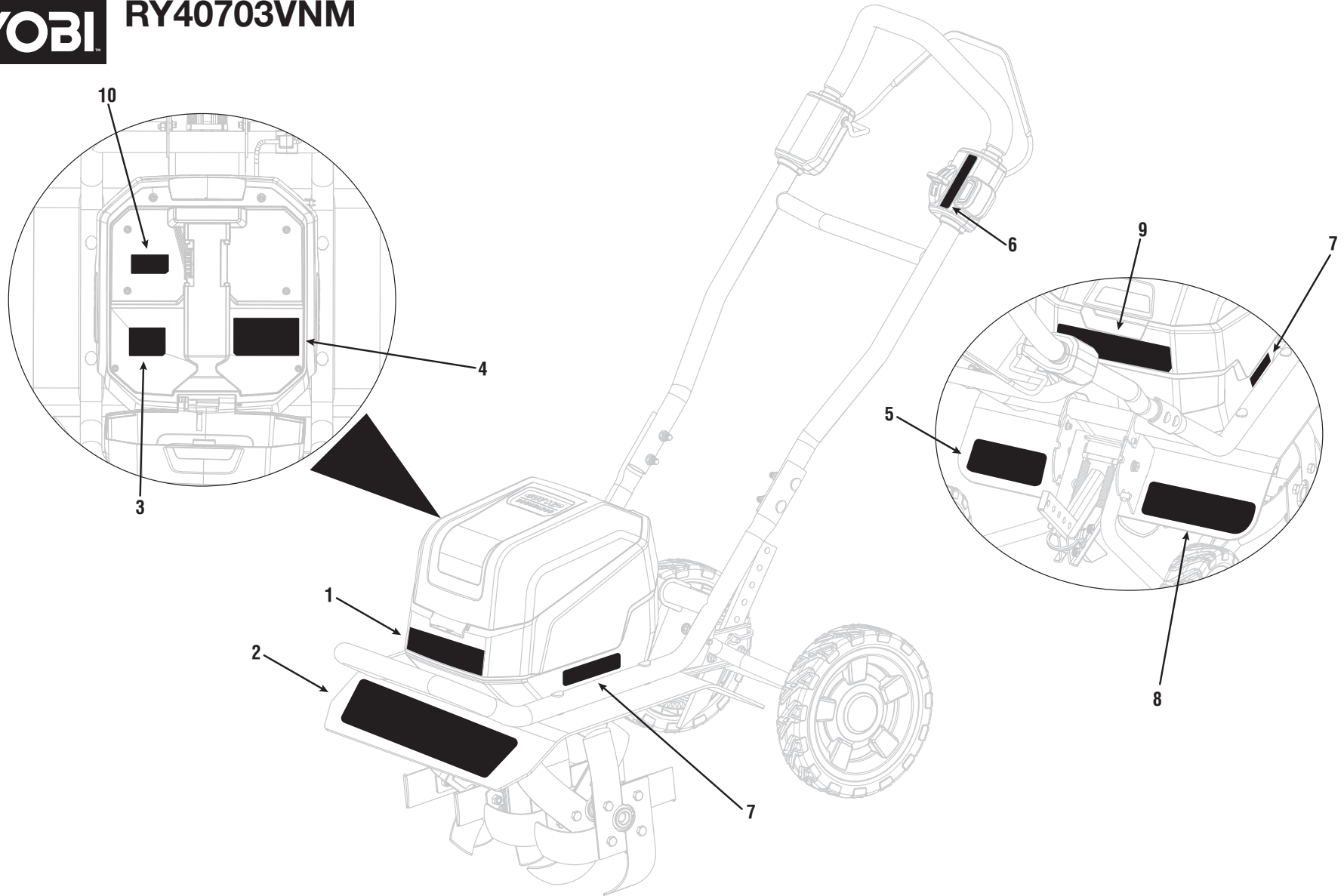
## PARTS LIST

KEY NO.	PART NO.	DESCRIPTION	QTY.
1	318621001	Foam and Upper Handle Assembly	1
2	205981001	Actuator Assembly (Inc. Key Nos. 57-58)	1
3	205980001	Switch Housing Assembly	1
4	682632001	Tine Blade (Outer Right)	1
5	205983001	Bail Switch	1
6	683064001	Cotter Pin	6
7	660466001	Screw (M4 x 18 mm, T20 Torx Pan Hd.)	17
8	683058001	Trigger	1
9	673924001	Dial Lever Insert	1
10	205982001	Start Button	1
11	674407001	Pin	6
12	205987001	Handlebar Bolt and Nut Assembly	8
13	205984001	Pivot Bolt Assembly	1
14	760653001	Push Button Switch	1
15	682630001	Tine Blade (Inner Right)	1
16	292417001	Main Wire Assembly	1
17	683049001	Middle Tube	1
18	205978001	Battery Contact Holder Assembly	1
19	205979001	Drag Stake Bolt Assembly	1
20	683048001	Lower Tube	1
21	205991001	Tine Blade Assembly (Outer Right, Inc. Key Nos. 4, 6 & 11)	1
22	205989001	Tine Blade Assembly (Inner Right, Inc. Key Nos. 6, 11 & 15)	1
23	205988001	Tine Blade Assembly (Inner Left, Inc. Key Nos. 6, 11 & 32)	1
24	621628001	Battery Door Axle	1
25	545499001	Battery Bucket	1
26	566599001	RYOBI Rubber Badge	2
27	205990001	Tine Blade Assembly (Outer Left, Inc. Key Nos. 6, 11 & 33)	1
28	544302001	Cord Retainer	1
29	205986001	10 in. Wheel Assembly	2
30	683115001	Tension Spring	2
31	870290001	Close-End Connector	3
32	682629001	Tine Blade (Inner Left)	1

KEY NO.	PART NO.	DESCRIPTION	QTY.
33	682631001	Tine Blade (Outer Left)	1
34	281335068	Motor Controller and Circuit Board Assembly	1
35	660024061	Screw (M4 x 14 mm, T20 Torx Pan Hd.)	2
36	513211001	Cord Clip	1
37	545500001	Battery Base	1
38	742912001	Motor	1
39	644608001	Cushion Block	1
40	656485001	Drag Stake	1
41	683152001	Wheel Axle Adjust Bracket	1
42	656437001	Tine Shield	1
43	671395001	Washer (OD25.2 x ID8.6 x 2.5t)	4
44	660058008	Screw w/Spring Washer (M6 x 25 mm, Hex. Recess Hd.)	4
45	682632001	Tine Blade Assembly (Outer Right)	1
46	674460001	Spring Pin	1
47	663095001	Screw w/Spring Washer (M6 x 35 mm, Hex Hd.)	4
48	220782002	Gear Box Assembly	1
49	545365001	Battery Cover	1
50	679073001	Battery Door Press Spring	1
51	679074006	Battery Door Torsion Spring	1
52	660203002	Screw (M3 x 12 mm, Pan Hd.)	1
53	661689002	Screw (M8 x 30 mm, Hex Hd.)	4
54	678774002	Wheel Nut	2
55	545577001	Pressing Plate	1
56	660608001	Screw (M4 x 1.588 mm, T20 Torx Pan Hd.)	2
57	683081001	Torsion Spring	1
58	674290002	Spring Pin	4
59	543885001	Bushing	2
60	660901001	Screw (M5 x 14 mm)	2
61	678774007	Flange Nut (M5)	2
62	790055001	Cable Tie	1
	<b>Not Shown:</b>		
	998000702	Operator's Manual	



RY40703VNM



LABELS

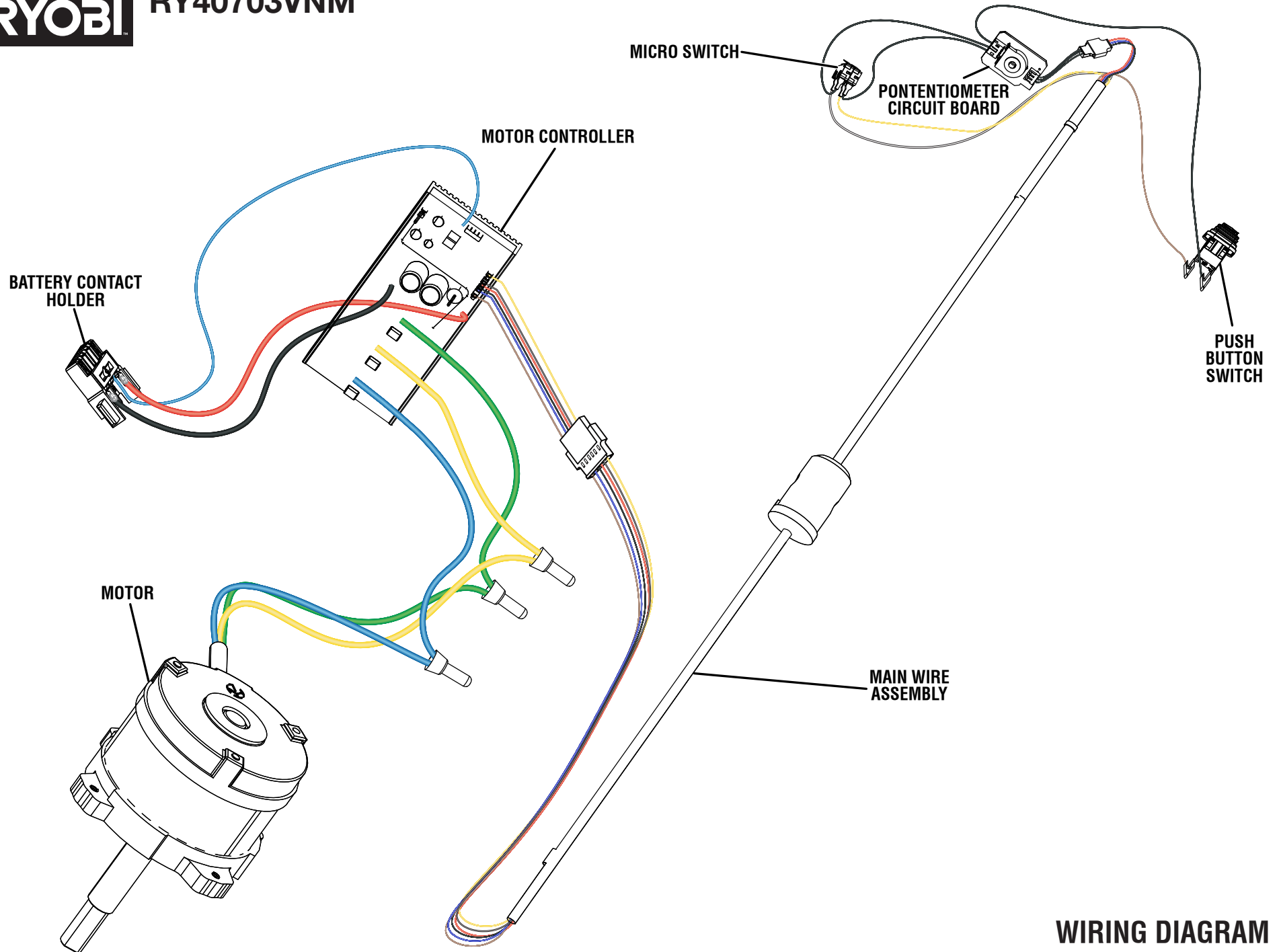
KEY NO.	PART NO.	DESCRIPTION	QTY.
1	941263288	16in Tilling Width Label	1
2	941263289	40V HP Brushless Label	1
3	941263150	QR Code Label	1
4	941263153	Data Label	1

KEY NO.	PART NO.	DESCRIPTION	QTY.
5	941263291	Wheel Adjustment Label	1
6	941263290	Blade Start Label	1
7	941263293	Whisper Logo	2

KEY NO.	PART NO.	DESCRIPTION	QTY.
8	941263292	Drag Stake / Wheels / Cut Finger Label	1
9	941263158	Icon/Warning Label	1
10	940779399	Battery Storage Label	1



RY40703VNM



WIRING DIAGRAM