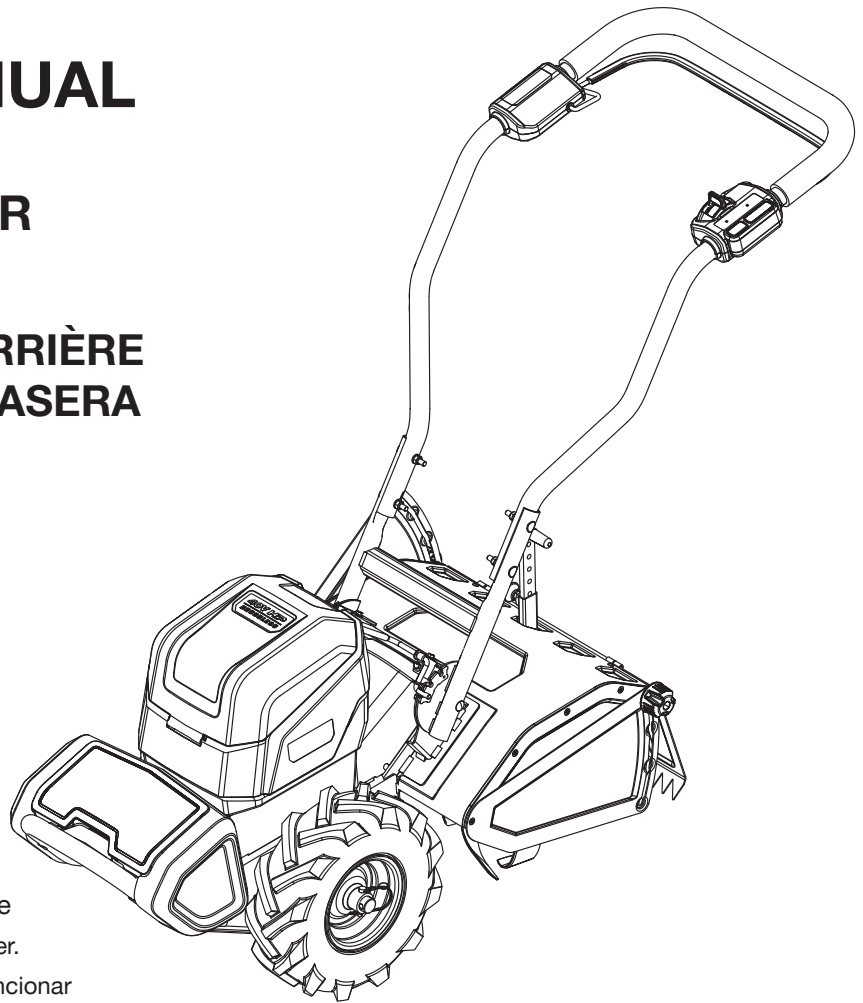




**OPERATOR'S MANUAL**  
**MANUEL D'UTILISATION**  
**MANUAL DEL OPERADOR**  
**REAR TINE TILLER**  
**CULTIVATEUR DE DENTS ARRIÈRE**  
**CULTIVADORA DE PÚAS TRASERA**  
**RY40702**



This unit requires two 40 volt batteries to operate  
 Cet appareil nécessite 2 piles de 40 V pour fonctionner.  
 La unidad requiere dos baterías de 40 voltios para funcionar

**TABLE OF CONTENTS**

- Important Safety Instructions..... 2-4
- Symbols .....5
- Features .....6
- Assembly ..... 6-8
- Operation ..... 8-10
- Maintenance ..... 11
- Troubleshooting ..... 12
- Parts Ordering/Service..... Back Page

**TABLE DES MATIÈRES**

- Instructions importantes concernant la sécurité..... 2-4
- Symboles .....5
- Caractéristiques .....6
- Assemblage ..... 6-8
- Utilisation ..... 8-10
- Entretien.....11
- Dépannage.....12
- Commande de pièces/ réparation..... Page arrière

**ÍNDICE DE CONTENIDO**

- Instrucciones de seguridad importantes ..... 2-4
- Símbolos .....5
- Características .....6
- Armado ..... 6-8
- Funcionamiento ..... 8-10
- Mantenimiento ..... 11
- Corrección de problemas ..... 12
- Pedidos de piezas/ servicio..... Pág. posterior

**⚠ WARNING:** To reduce the risk of injury, the user must read and understand the operator's manual before using this product.

**⚠ AVERTISSEMENT :** Pour réduire les risques de blessures, l'utilisateur doit lire et veiller à bien comprendre le manuel d'utilisation avant d'employer ce produit.

**⚠ ADVERTENCIA:** Para reducir el riesgo de lesiones, el usuario debe leer y comprender el manual del operador antes de usar este producto.

**SAVE THIS MANUAL FOR FUTURE REFERENCE**

**CONSERVER CE MANUEL POUR FUTURE RÉFÉRENCE**

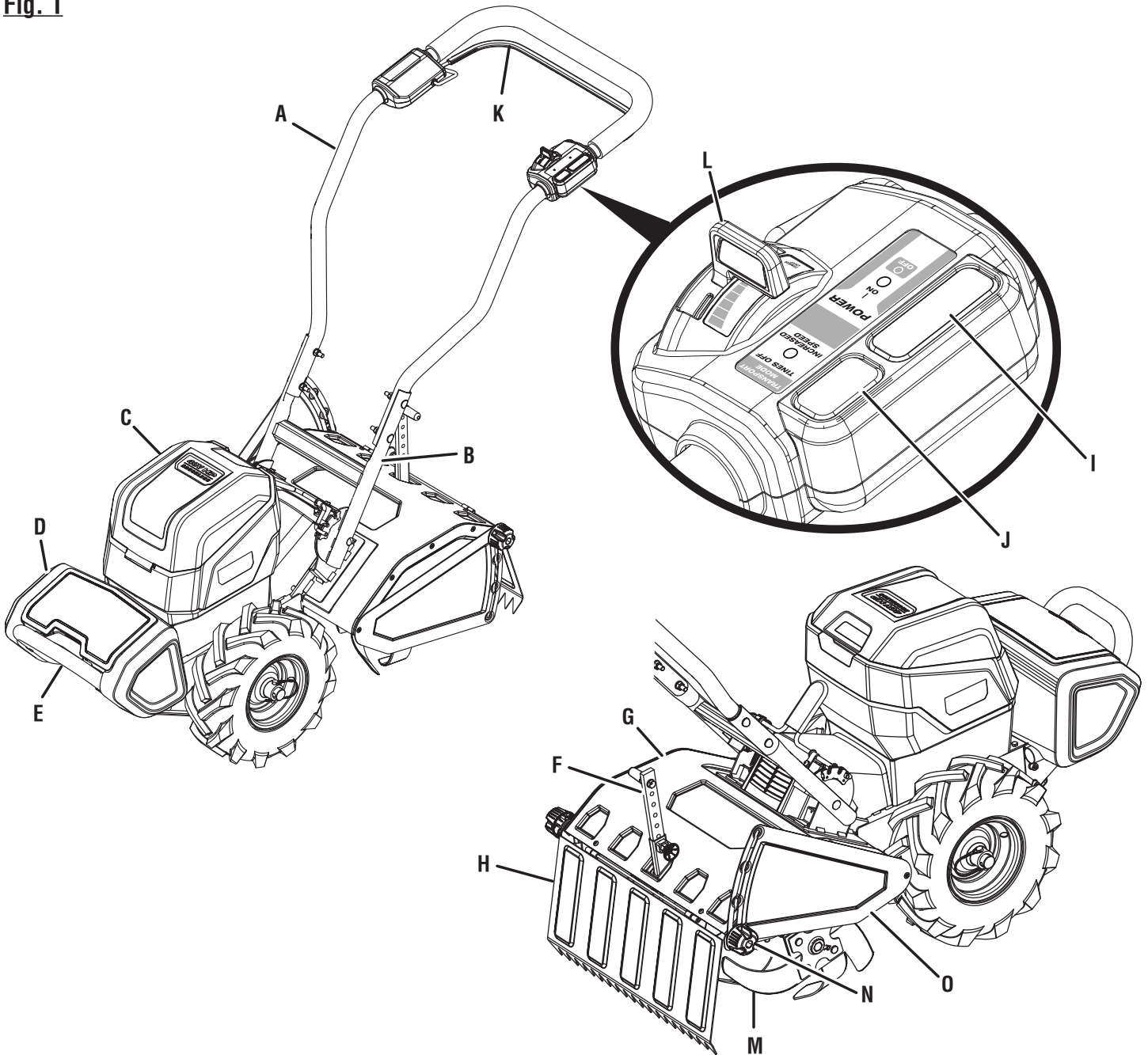
**GUARDE ESTE MANUAL PARA FUTURAS CONSULTAS**

See this fold-out section for all of the figures referenced in the operator's manual.

Consulter l'encart à volets afin d'examiner toutes les figures mentionnées dans le manuel d'utilisation.

Consulte esta sección desplegable para ver todas las figuras a las que se hace referencia en el manual del operador.

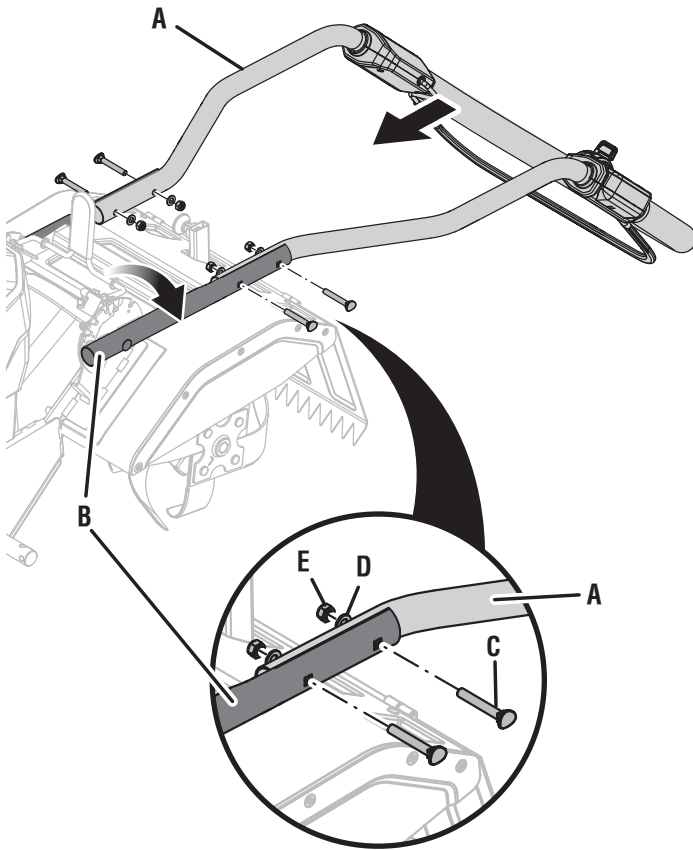
**Fig. 1**



- A - Upper handle (poignée supérieure, mango superior)
- B - Lower handle (poignée inférieure, mango inferior)
- C - Battery cover (couverture du logement de pile, tapa del compartimiento para la batería)
- D - Ballast tank (bac de lestage, tanque de lastre)
- E - Bull bar handle (poignée de la barre pare-choc, mango con barra parachoques)
- F - Depth bar (barre de profondeur, barra de profundidad)
- G - Tine housing (boîtier à dents, carcasa de púas)
- H - Dirt flap (clapet anti-salissure, solapa de suciedad)

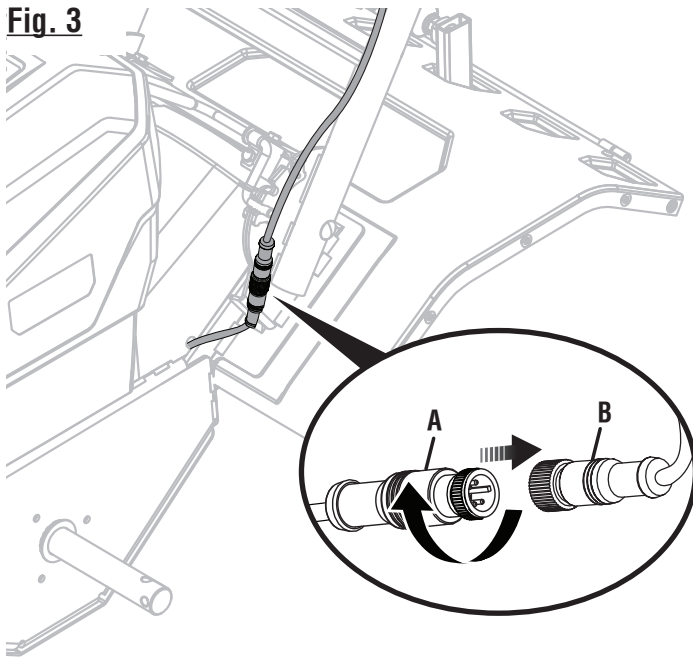
- I - Start button (bouton de démarrage, botón de arranque)
- J - Transport mode button (bouton de mode de transport, botón de modo de transporte)
- K - Bail (barre, gancho)
- L - Drive speed control lever (levier de commande de la vitesse de la tarière, palanca de control de velocidad de barrena)
- M - Tines (dents, púas)
- N - Lock knob (bouton de verrouillage, perilla de fijación)
- O - Lower side panel (panneau latéral inférieure, panel lateral inferior)

**Fig. 2**



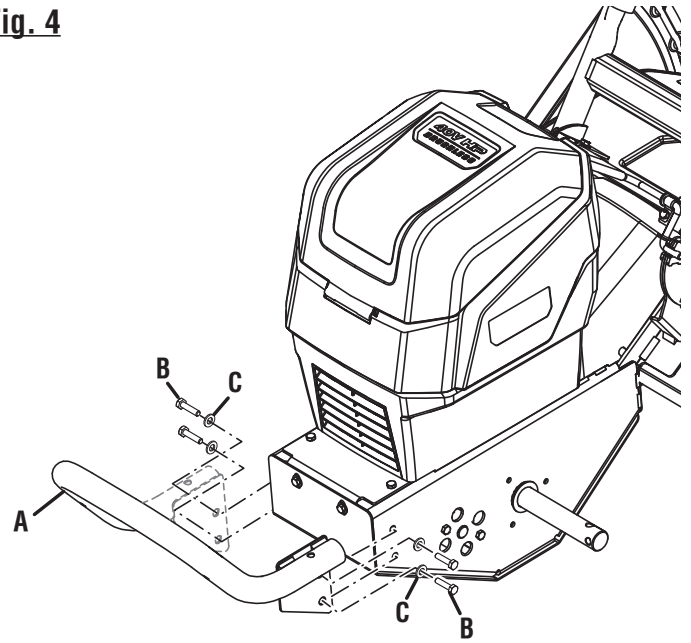
- A - Upper handle (poignée supérieure, mango superior)
- B - Lower handle (poignée inférieure, mango inferior)
- C - Bolt (boulon, perno)
- D - Washer (rondelle, arandela)
- E - Nut (écrous, tuerca)

**Fig. 3**



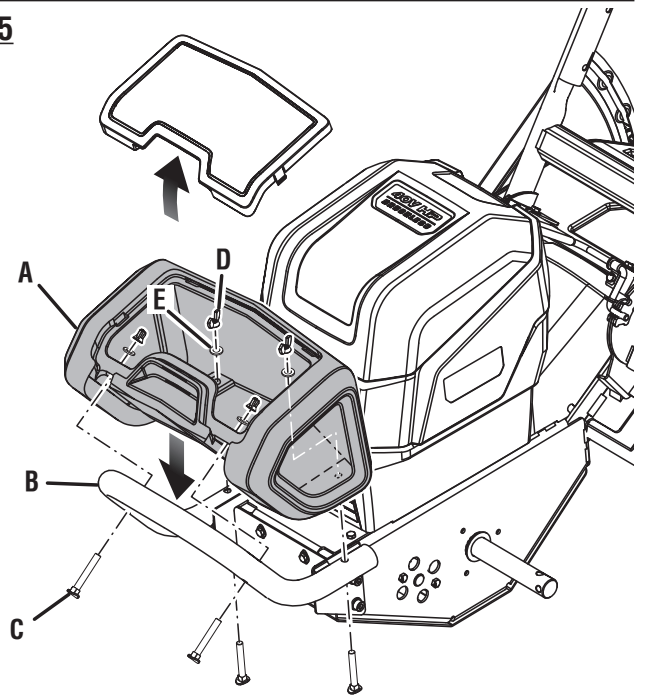
- A - Wire (male end) [fil (mâle restante), cable (extremo macho)]
- B - Wire (female end) [fil (femelle restante), cable (extrema hembra)]

**Fig. 4**



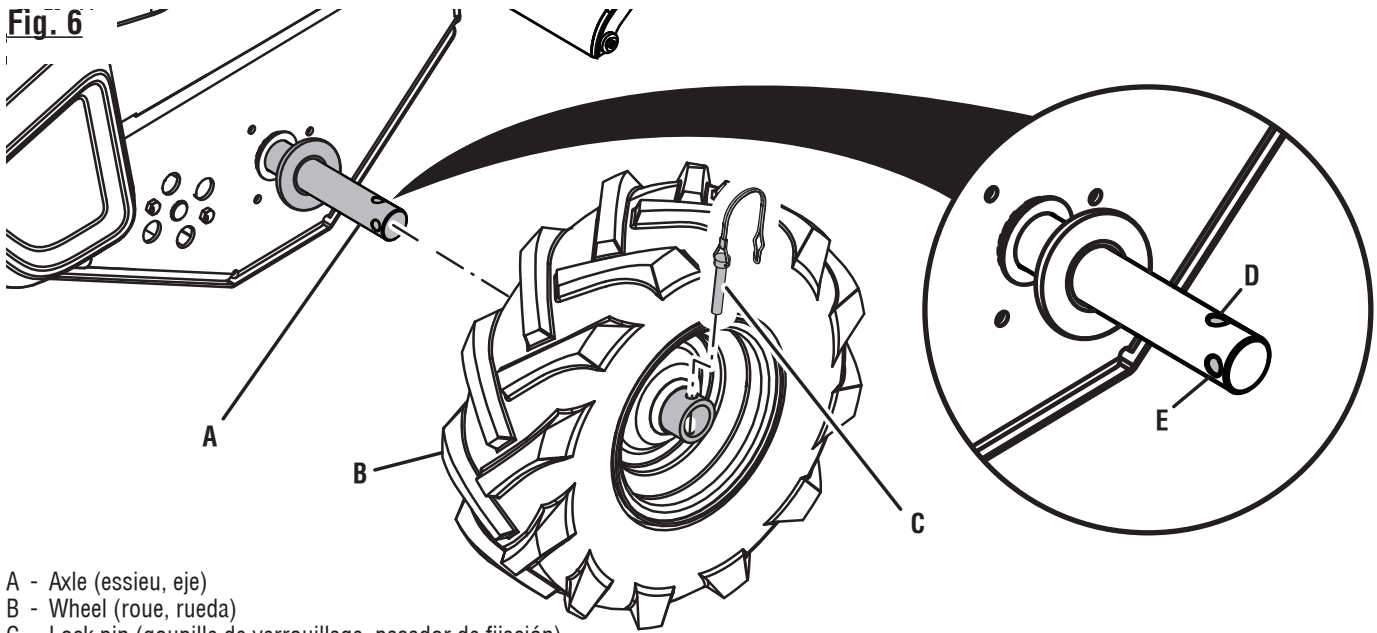
- A - Ballast tank (bac de lestage, tanque de lastre)
- B - Bolt (boulon, perno)
- C - Washer (rondelle, arandela)

**Fig. 5**



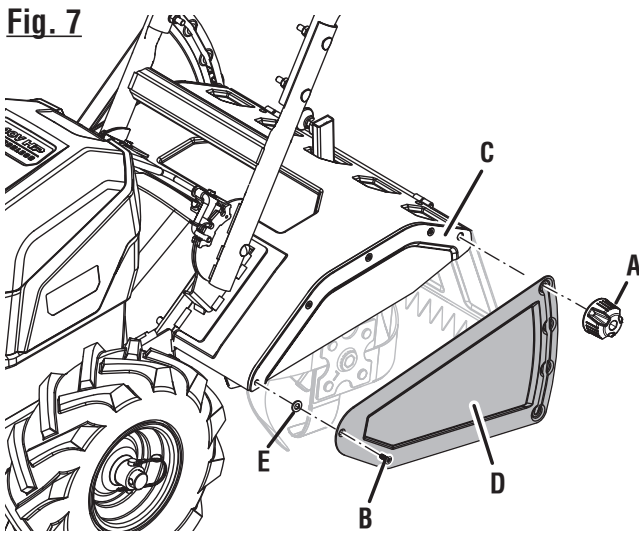
- A - Ballast tank (bac de lestage, tanque de lastre)
- B - Bull bar handle (poignée de la barre pare-choc, mango con barra parachoques)
- C - Bolt (boulon, perno)
- D - Wing nut (écrou à oreilles, tuerca de mariposa)
- E - Washer (rondelle, arandela)

**Fig. 6**



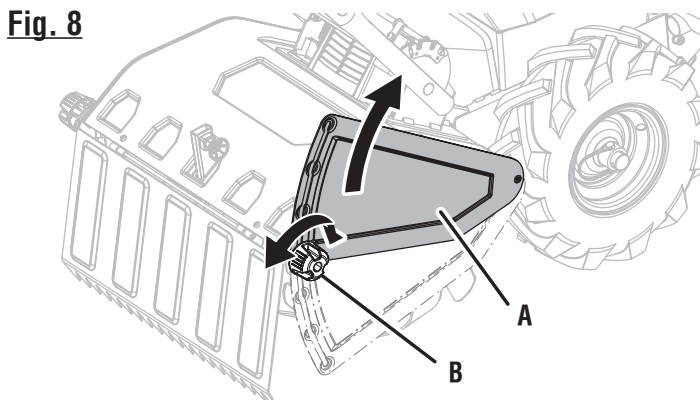
- A - Axle (essieu, eje)
- B - Wheel (roue, rueda)
- C - Lock pin (goupille de verrouillage, pasador de fijación)
- D - Hole for self-propulsion (trou pour l'auto-propulsion, orificio de autopropulsión)
- E - Hole for dead battery/long distance (trou pour pile déchargée/longue distance, orificio de batería agotada/larga distancia)

**Fig. 7**



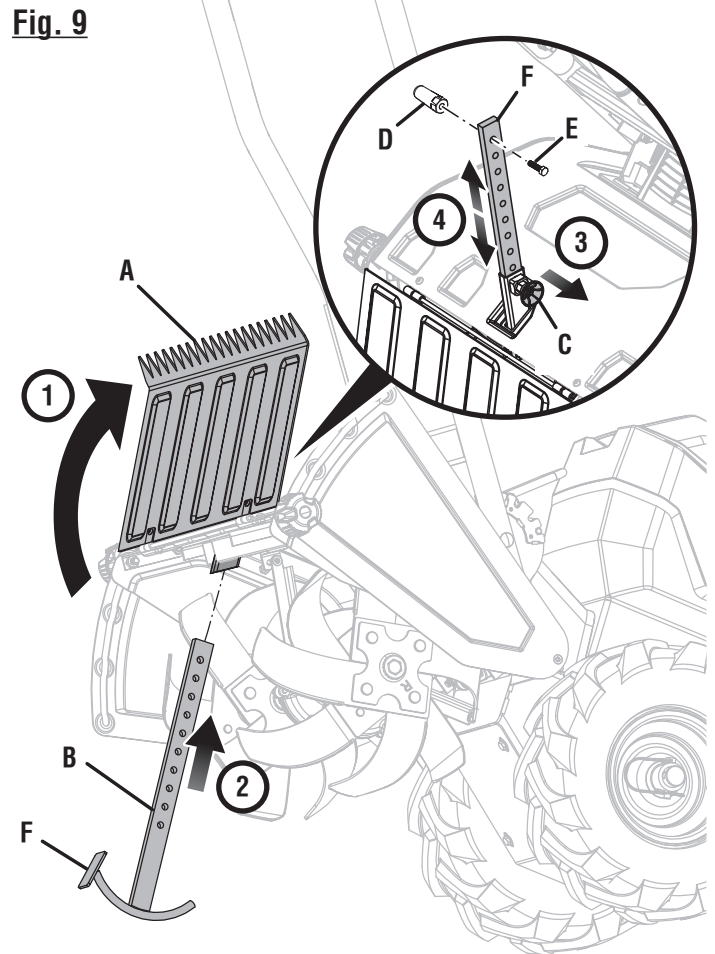
- A - Lock knob (bouton de verrouillage, perilla de fijación)
- B - Screw (vis, tornillo)
- C - Upper side panel (panneau latéral supérieur, panel lateral superior)
- D - Lower side panel (panneau latéral inférieure, panel lateral inferior)
- E - Spacer (entretoise, separador)

**Fig. 8**



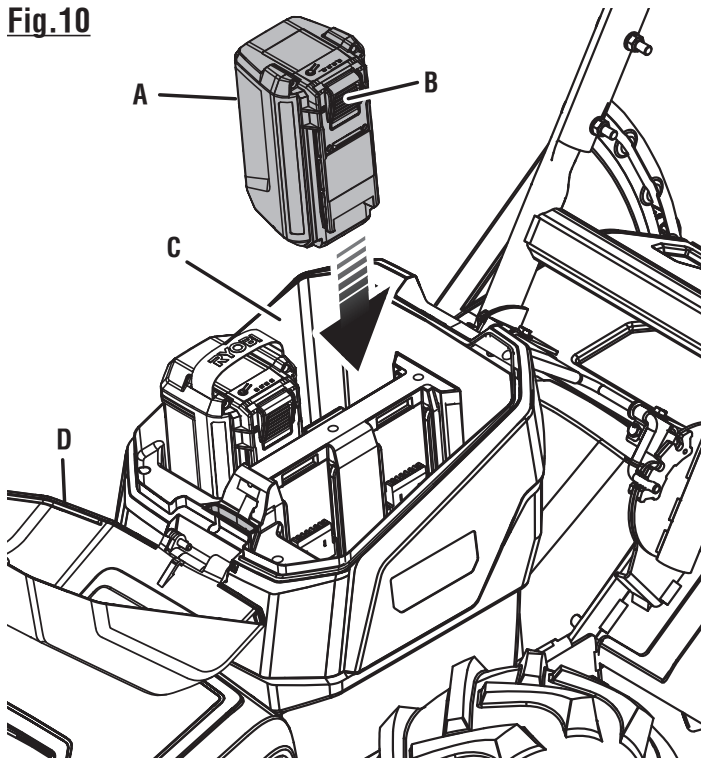
- A - Side panel (panneau latéral, panel lateral)
- B - Lock knob (bouton de verrouillage, perilla de fijación)

**Fig. 9**

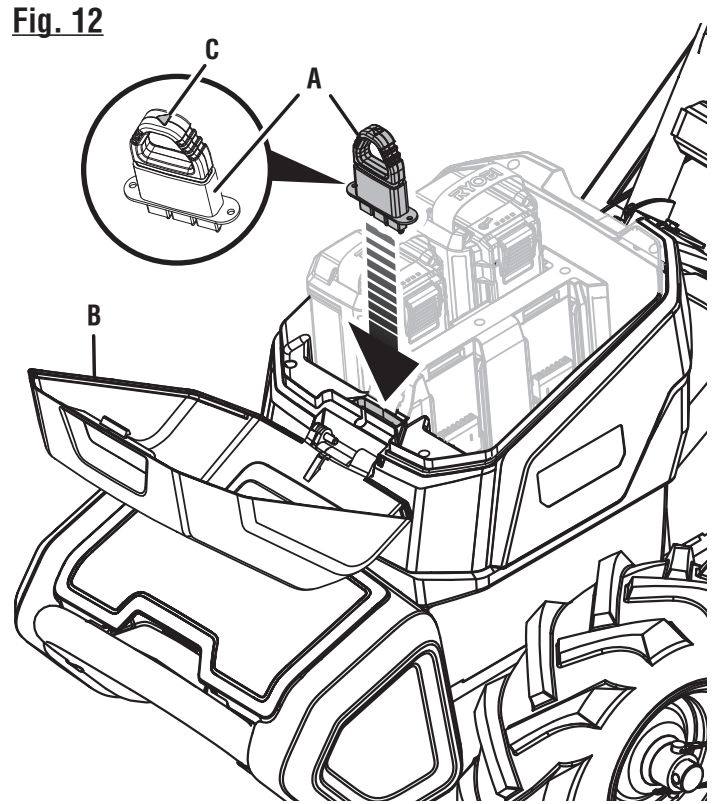


- A - Dirt flap (clapet anti-salissure, solapa de suciedad)
- B - Depth bar (guide de profondeur, barra de arrastre)
- C - Lock knob (bouton de verrouillage, perilla de fijación)
- D - Depth bar handle (poignée de la barre de profondeur, mango de barra de profundidad)
- E - Bolt (boulon, perno)
- F - Stop plate (plaque de butée, placa limitadora)

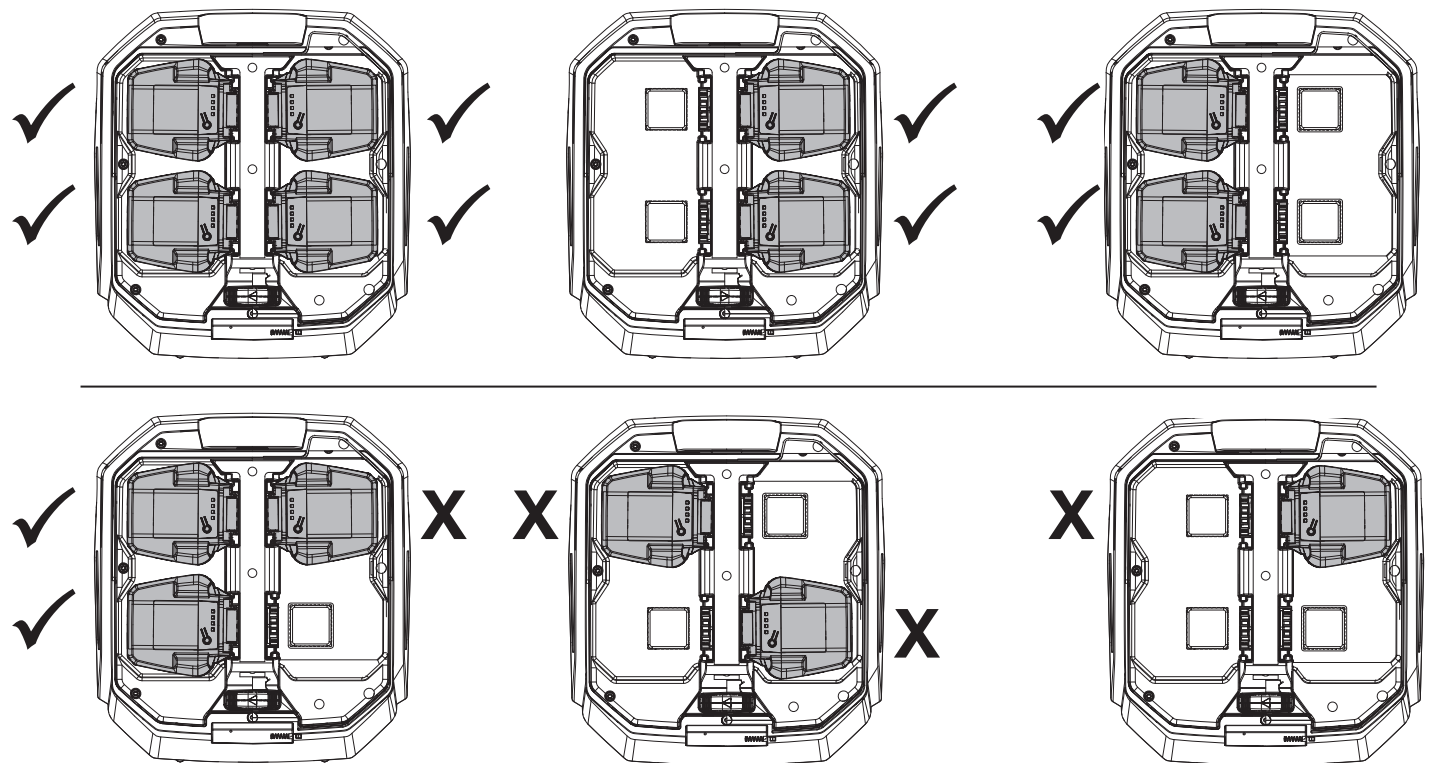
**Fig.10**



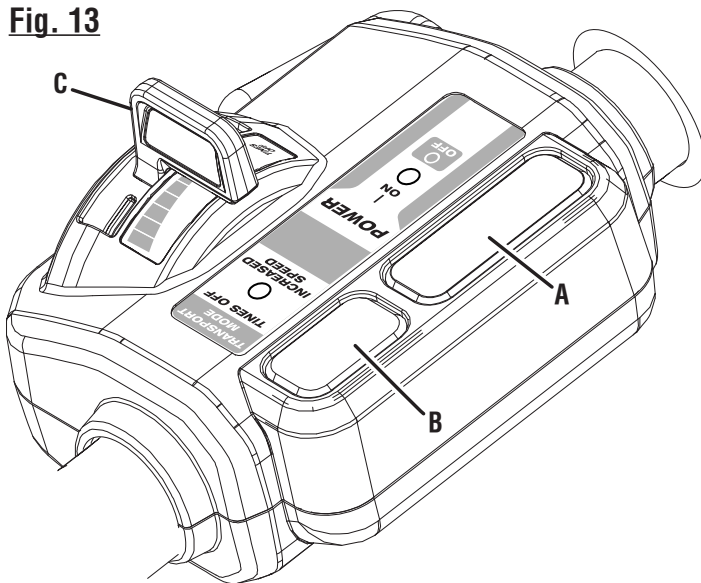
**Fig. 12**



**Fig. 11**

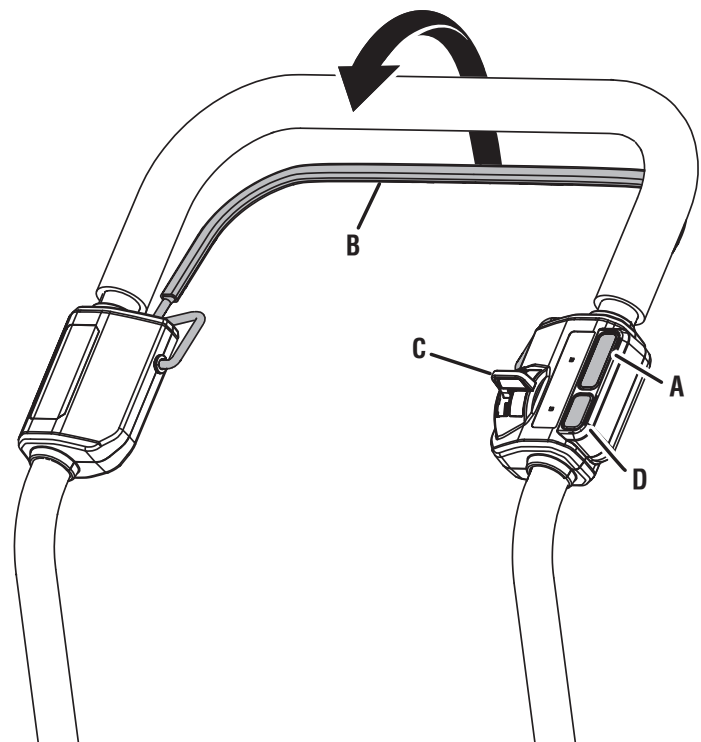


**Fig. 13**



- A - Start button (bouton de démarrage, botón de arranque)
- B - Transport mode button (bouton de mode de transport, botón de modo de transporte)
- C - Drive speed control lever (levier de commande de la vitesse de la tarière, palanca de control de velocidad de barrena)

**Fig. 14**

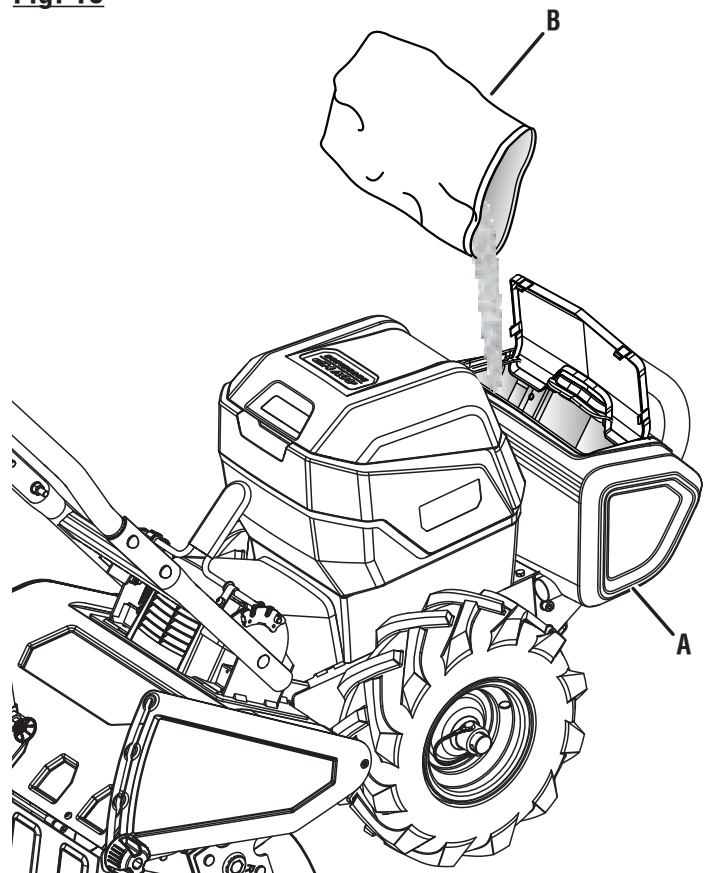


- A - Start button (bouton de démarrage, botón de arranque)
- B - Bail (barre, gancho)
- C - Drive speed control lever (levier de commande de la vitesse de la tarière, palanca de control de velocidad de barrena)
- D - Transport mode button (bouton de mode de transport, botón de modo de transporte)

**Fig. 15**



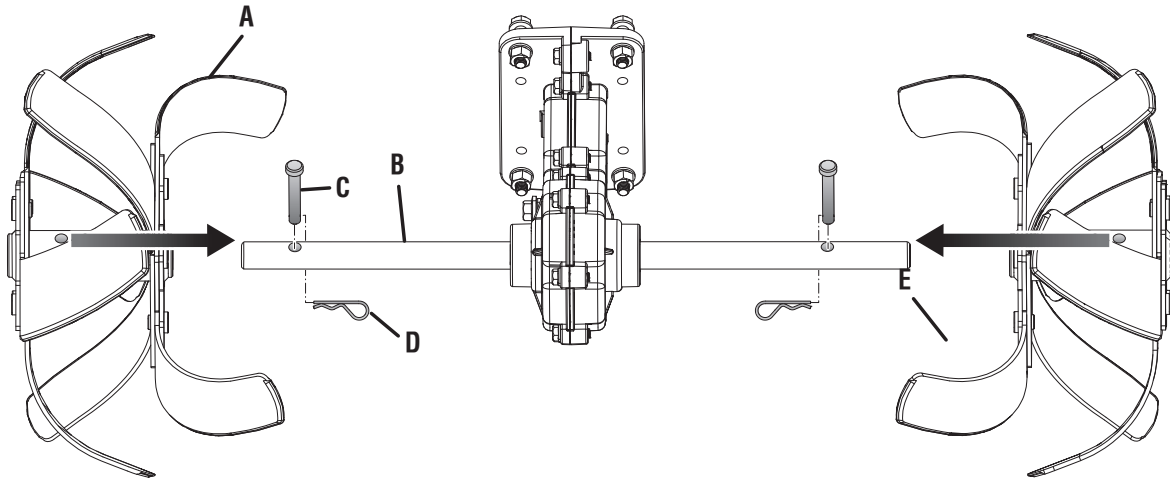
**Fig. 16**



- A - Ballast tank (bac de lestage, tanque de lastre)
- B - Sand (sable, arena)

**Fig. 17**

**VIEW FROM THE REAR  
(VUE DE L'ARRIÈRE, VISTA DEL LADO TRASERO)**



A - Left tine assembly (assemblage de dent gauche, conjunto de púas izquierdo)

B - Tine shaft (arbre de dents, eje de las púas)

C - Shear pin (goupille de verrouillage, pasador de fijación)

D - Hitch clip (pince d'attelage, gancho)

E - Right tine assembly (assemblage de dent droite, conjunto de púas derecho)

# IMPORTANT SAFETY INSTRUCTIONS

## **WARNING!**

When using electric gardening appliances, basic safety precautions should always be followed to reduce the risk of fire, electric shock and personal injury.

## **READ ALL INSTRUCTIONS**

- For safe operation, read and understand all instructions before using this product. Follow all safety instructions. Failure to follow all safety instructions listed below, can result in serious personal injury.
- Know your tiller. Read operator's manual carefully. Learn its applications and limitations, as well as the specific potential hazards related to this tiller. Know how to stop the unit and disengage the controls quickly. Following this rule will reduce the risk of electric shock, fire, or serious injury.
- Do not allow children or untrained individuals to use this unit.
- Powered walk-behind tiller work is strenuous. You must be in good physical condition and mentally alert. If you have any condition that might be aggravated by strenuous work, check with your doctor before operating a powered walk-behind tiller.
- Always wear eye protection with side shields marked to comply with ANSI Z87.1. Following this rule will reduce the risk of serious personal injury.
- Use Safety Glasses – Wear a face or dust mask if the operation is dusty. Always wear safety glasses with side shields. Everyday glasses have only impact resistant lenses. They are NOT safety glasses. Following this rule will reduce the risk of eye injury.
- Protect your lungs. Wear a face or dust mask if the operation is dusty. Following this rule will reduce the risk of serious personal injury.
- Dress Properly – Do not wear loose clothing or jewelry. They can be caught in moving parts. Use of rubber gloves and substantial footwear is recommended when working outdoors. Wear heavy, long pants, long sleeves, boots, and gloves. Do not wear short pants, sandals, or go barefoot. Do not wear jewelry of any kind. Secure long hair above shoulder level to prevent entanglement in moving parts.
- Keep children away - Keep all bystanders, children, and pets at least 50 ft. away.

## **WARNING:**

Stay alert - Watch what you are doing. Use common sense. Do not operate this unit when you are tired, ill, or under the influence of alcohol, drugs, or medication. A moment of inattention while operating tillers may result in serious personal injury.

- Do not operate in poor lighting.
- Keep all parts of your body away from any moving part.
- Do not operate power tools in explosive atmospheres, such as in the presence of flammable liquids, gases, or dust. Power tools create sparks which may ignite the dust or fumes.
- Avoid body contact with grounded surfaces such as pipes, radiators, ranges, and refrigerators. There is an increased risk of electric shock if your body is grounded.
- Avoid Dangerous Environments - Don't expose appliance or tiller to rain or wet conditions. Water entering an appliance or tiller will increase the risk of electric shock.
- Use Right Appliance - Do not force tool. Use the correct tool for your application. The correct tool will do the job better and safer at the rate for which it is designed.
- Don't Force Appliance – It will do the job better and with less likelihood of a risk of injury at the rate for which it was designed.
- Do not operate the equipment while barefoot or when wearing sandals or similar lightweight footwear. Wear protective footwear that will protect your feet and improve your footing on slippery surfaces.
- Do not overreach - Keep firm footing and balance. Overreaching can result in loss of balance.
- Avoid accidental starting - Release the bail before inserting battery pack. Carrying tools with the bail engaged or inserting the battery pack into a tool with the bail engaged invites accidents.
- Do not use tool if start button and bail do not turn it on or off. Any tool that cannot be controlled with the start button and bail is dangerous and must be repaired.
- Disconnect battery pack - Disconnect battery pack from the appliance before storing, servicing, or changing accessories such as tines. Such preventive safety measures reduce the risk of starting the tool accidentally.
- Use only identical manufacturer's replacement parts and accessories. Use of any other parts may create a hazard or cause product damage.



# IMPORTANT SAFETY INSTRUCTIONS




- Check for damaged parts - Before further use of the tool, any part that is damaged should be carefully checked to determine that it will operate properly and perform its intended function. Check for alignment of moving parts, binding of moving parts, breakage of parts, mounting, and any other conditions that may affect its operation. A guard or other part that is damaged should be properly repaired or replaced by an authorized service dealer.
- Never operate the machine without proper guards, plates, or other safety protective devices in place.
- Use only the manufacturer's replacement tines. Do not use any other cutting attachment, for example, metal wire, rope, or the like. To install any other brand of tine to this tiller can result in serious personal injury.
- Never operate unit without the tine shield in place and in good condition.
- Keep all fasteners tight to be sure the cultivator is in safe working condition.
- Maintain a firm grip on both handles while cultivating.
- Store idle appliances indoors - When not in use, tiller should be stored indoors in a dry, locked place out of the reach of children.
- Inspect area to be cultivated. Remove objects (rocks, broken glass, nails, wire, string, etc.) which can be thrown by tines.
- Be extremely careful when tilling in hard ground. The equipment may unexpectedly bounce upward or jump forward if the tines should strike buried obstacles such as large stones, roots, or stumps.
- Keep the air vents clean and free of debris to avoid overheating the motor. Clean after each use.
- Never operate the tiller without good visibility or light.
- Rotating tines can cause severe injury; do not allow hands, feet, or any other part of the body or clothing near the rotating tines or any other moving part. The tines begin to rotate once the start button is depressed and the bail is engaged. The tines continue to rotate until the bail is released.
- Do not operate the machine without wearing adequate outer garments. Avoid loose garments or jewelry that could get caught in moving parts of the machine or its engine.
- Do not put hands or feet near or under tines.
- Always refer to the operator's manual for important details if the tiller is to be stored for an extended period.
- Do not use near underground electric cables, telephone lines, pipes, or hoses. If in doubt, contact your utility or telephone company to locate underground services.
- If the unit strikes a foreign object, stop the motor, disconnect the battery pack, thoroughly inspect the machine for any damage, and repair the damage before restarting and operating the machine.
- If the tiller should start to vibrate abnormally or become noisy, stop the motor and check immediately for the cause. Abnormal noise is generally a warning of trouble.
- Stop the motor, remove the start key, and disconnect the battery pack before unclogging the tines and when making any repairs, adjustments, or inspections.
- Do not overload the machine capacity by cultivating too deep in a single pass or at too fast a rate.
- Be aware that the equipment may unexpectedly bounce upward or jump forward if the tines should strike buried obstacles such as large stones, roots, or stumps.
- Do not use any attachments or accessories not recommended by the manufacturer of this product.
- Never operate the equipment on a slope.
- Use extreme caution when reversing or pulling the machine towards you.
- Start the unit carefully according to instructions from a normal operating position and with feet well away from the tines. Do not force tiller. It will do the job better and with less likelihood of a risk of injury at the rate for which it was designed.
- Maintain tiller with care. Keep tines clean for best performance and reduce the risk of injury. Follow instructions for lubrication and changing accessories. Inspect tines periodically and, if damaged, have them replaced. Keep handles dry, clean, and free from grease and lubricant.
- Never use a hose, water, or any liquids to clean or rinse off the tiller. Corrosive liquids, water, fertilizers, and chemicals can enter the tiller and/or battery compartment and damage electronic components and/or the battery pack, which can result in a short circuit, increased risk of fire, and serious personal injury. Remove any buildup of dirt and debris on or around the tiller housing and/or underneath the tiller. Wipe the tiller clean with a dry cloth occasionally.
- Check damaged parts. Before further use of this tiller, a guard or other part that is damaged should be carefully checked to determine that it will operate properly and perform its intended function. Check for alignment of moving parts, binding of moving parts, breakage of parts, mounting, and any other condition that may affect its operation. A guard or other part that is damaged should be properly repaired or replaced by an authorized service center unless otherwise indicated elsewhere in this manual.

# IMPORTANT SAFETY INSTRUCTIONS












- If appliance is not working as it should, has been dropped, damaged, left outdoors, or dropped into water, return it to a service center.
- Stop the unit and disconnect the power source when not in use. Transport the unit with the tine motor stopped.
- Store out of the reach of children.
- Do not hang unit so that the bail bar is depressed.
- Battery tools do not have to be plugged into an electrical outlet; therefore, they are always in operating condition. Be aware of possible hazards when not using your battery tool or when changing accessories. Following this rule will reduce the risk of electric shock, fire, or serious personal injury.
- Do not charge battery tool in rain, or damp or wet location. Following this rule will reduce the risk of electric shock.
- Do not use battery-operated appliance in rain.
- Remove or disconnect battery before servicing, cleaning or removing material from the gardening appliance.
- Use this product only with batteries and chargers listed in tool/appliance/battery pack/charger correlation supplement 988000-842.
- Do not dispose of the batteries in a fire. The cell may explode. Check with local codes for possible special disposal instructions.
- Do not open or mutilate the batteries. Released electrolyte is corrosive and may cause damage to the eyes or skin. It may be toxic if swallowed.
- Do not place battery tools or their batteries near fire or heat. This will reduce the risk of explosion and possibly injury.
- Batteries can explode in the presence of a source of ignition, such as a pilot light. To reduce the risk of serious personal injury, never use any cordless product in the presence of open flame. An exploded battery can propel debris and chemicals. If exposed, flush with water immediately.
- Do not crush, drop or damage battery pack. Do not use a battery pack or charger that has been dropped or received a sharp blow. A damaged battery is subject to explosion. Properly dispose of a dropped or damaged battery immediately.
- Exercise care in handling batteries in order not to short the battery with conducting materials such as rings, bracelets, and keys. The battery or conductor may overheat and cause burns.
- For best results, your battery tool should be charged in a location where the temperature is more than 50°F but less than 100°F. To reduce the risk of serious personal injury, do not store outside or in vehicles.
- Under extreme usage or temperature conditions, battery leakage may occur. If liquid comes in contact with your skin, wash immediately with soap and water. If liquid gets into your eyes, flush them with clean water for at least 10 minutes, then seek immediate medical attention. Following this rule will reduce the risk of serious personal injury.
- Do not use a battery pack or appliance that is damaged or modified. Damaged or modified batteries may exhibit unpredictable behavior resulting in fire, explosion or risk of injury
- When battery pack is not in use, keep it away from other metal objects, like paper clips, coins, keys, nails, screws or other small metal objects, that can make a connection from one terminal to another. Shorting the battery terminals together may cause burns or a fire.
- Do not expose a battery pack or appliance to fire or excessive temperature. Exposure to fire or temperature above 265°F may cause explosion.
- Exercise extreme caution when crossing gravel surfaces. Stay alert for hidden hazards or traffic.
- Save these instructions. Refer to them frequently and use them to instruct others who may use this power tool. If you loan someone this power tool, loan them these instructions also.

# SYMBOLS

The following signal words and meanings are intended to explain the levels of risk associated with this product.

SYMBOL	SIGNAL	MEANING
	<b>DANGER:</b>	Indicates a hazardous situation, which, if not avoided, will result in death or serious injury.
	<b>WARNING:</b>	Indicates a hazardous situation, which, if not avoided, could result in death or serious injury.
	<b>CAUTION:</b>	Indicates a hazardous situation, that, if not avoided, may result in minor or moderate injury.
	<b>NOTICE:</b>	(Without Safety Alert Symbol) Indicates information considered important, but not related to a potential injury (e.g. messages relating to property damage).

Some of the following symbols may be used on this product. Please study them and learn their meaning. Proper interpretation of these symbols will allow you to operate the product better and safer.

SYMBOL	NAME	DESIGNATION/EXPLANATION
	Safety Alert	Indicates a potential personal injury hazard.
	Read Operator's Manual	To reduce the risk of injury, user must read and understand operator's manual before using this product.
	Eye Protection	Always wear eye protection with side shields marked to comply with ANSI Z87.1.
	Wet Conditions Alert	Do not expose battery, battery compartment, or electronic components to rain, water, or liquids. Do not expose to rain or use in damp locations.
	Keep Bystanders Away	Keep all bystanders at least 50 ft. away.
	Cutting Hazard	Keep feet and hands away from rotating tines. Rotating tines will cause injury.
	Cutting Hazard	Keep feet and hands away from rotating tines. Rotating tines will cause injury.
	Electricity	This product is considered to have hazardous voltage.
	Recycle Symbol	This product uses lithium-ion (Li-ion) batteries. Local, state, or federal laws may prohibit disposal of batteries in ordinary trash. Consult your local waste authority for information regarding available recycling and/or disposal options.
	Direct Current	Type or a characteristic of current
	Volts	Voltage

# FEATURES

## PRODUCT SPECIFICATIONS

Motor*.....	80 Volt DC	Depth Capacity.....	8 in.
Number of Tines.....	4	Wheel Direction .....	Forward and Reverse
Width Capacity.....	18 in		

\*This product requires a pair of two 40V battery packs for operation.

## KNOW YOUR TILLER

See Figure 1.

The safe use of this product requires an understanding of the information on the product and in this operator's manual as well as a knowledge of the project you are attempting. Before use of this product, familiarize yourself with all operating features and safety rules.

## BATTERY COVER

The battery cover protects the battery port from moisture and debris.

## BRUSHLESS MOTORS

This product features two brushless motors that maximizes power and performance as well as battery run time.

## BULL BAR

The bull bar protects the front of the tiller when in use and can also be used as a handle when transporting the tiller.

## DRIVE SPEED CONTROL LEVER

Allows user to set the direction and speed settings for the self-propelled feature.

## FOUR ACTIVE BATTERY PORTS

This product has four active battery ports, two ports on the left (PAIR A) and two ports on the right (PAIR B). To use the tiller there must be at least two 40V batteries on either the left side (PAIR A) or the right side (PAIR B). For optimal performance, installing four 40V battery packs of 4Ah or greater is recommended.

## START BUTTON AND BAIL

The start button and bail are located on the upper handle of the tiller. Depress the start button then engage the bail to start the motor and tines. Release the bail to stop the motor and tines.

**NOTE:** The motor and tines will also start if the bail is engaged first and the start button is pressed after.

## START KEY

The start key must be inserted and the indicator must point toward a pair of two charged batteries before the tiller can be started.

# ASSEMBLY

## UNPACKING

This product requires assembly.

- Carefully remove the product and any accessories from the box. Make sure that all items listed in the **Packing List** are included.

### **WARNING:**

Do not use this product if any parts on the **Packing List** are already assembled to your product when you unpack it. Parts on this list are not assembled to the product by the manufacturer and require customer installation. Use of a product that may have been improperly assembled could result in serious personal injury.

- Inspect the product carefully to make sure no breakage or damage occurred during shipping.
- Do not discard the packing material until you have carefully inspected and satisfactorily operated the product.
- If any parts are damaged or missing, please call 1-800-525-2579 for assistance.

# ASSEMBLY

## PACKING LIST

Tiller  
Upper Handle w/Hardware  
Wheel (2)  
Bull Bar w/Hardware  
Ballast Tank w/Hardware  
Side Panels w/Hardware  
Depth Bar w/Hardware  
2-Sided Wrench  
T-25 Torx Wrench  
Quick Reference Guide  
Operator's Manual

### **WARNING:**

If any parts are damaged or missing, do not operate this product until the parts are replaced. Use of this product with damaged or missing parts could result in serious personal injury.

### **WARNING:**

Do not attempt to modify this product or create accessories not recommended for use with this product. Any such alteration or modification is misuse and could result in a hazardous condition leading to possible serious personal injury.

### **WARNING:**

To prevent accidental starting that could cause serious personal injury, always remove the start key and battery packs from the product when assembling parts.

### **NOTICE:**

Do not allow the cables connecting the control panel and motor to become pinched or trapped during assembly.

## INSTALLING THE UPPER HANDLE

See Figures 2 - 3.

- Rotate the lower handle until it rests on the tine shield, then slide the upper handle into the lower handle.  
**NOTE:** The upper handle should fit inside the grooves in the lower handle.
- Align the holes in the lower handle with the holes in the upper handle, and secure using bolts, washers and nuts. Tighten securely.
- Secure the electrical connector of the wire assembly by screwing the terminals together until thumb tight with the integrated nut on the motor connector.

## INSTALLING THE BULL BAR

See Figure 4.

- Place the bull bar on the front of the tool.
- Align the holes in the bull bar's bracket with the threaded holes at the front of the tool.
- Install bolts and washers through the holes. Tighten securely with the wrench provided.

## INSTALLING THE BALLAST TANK

See Figure 5.

- Carefully remove the cover from the ballast tank.
- Remove the bolts, washers and wing nuts from the ballast tank.
- Place the ballast tank on the bull bar.
- Align the holes in the ballast tank with the holes in the bull bar.
- Insert bolts through the holes in the bull bar and install the washers and wingnuts on the inside of the tank. Tighten securely.
- Reinstall tank cover.

## INSTALLING THE WHEELS

See Figure 6.

Wheels are provided to assist in moving the unit to and from the work area.

### **To install:**

- Install the washers onto the axles.
- Slide a wheel onto the axle with the air valve on the outside.

### **WARNING:**

Ensure the wheels are installed for self-propulsion during normal operation. Doing so will ensure the wheels provide adequate resistance to the force generated during tine rotation. If the wheels are installed in the wrong position, the tine rotation could cause the unit to move unexpectedly which could result in property damage or serious personal injury.

- Rotate the wheel and align the hole in the wheel with one of the holes in the axle.
  - For normal operation and self-propulsion, align the hole in the wheel with the hole farthest from the end of the axle.
  - For long distance operations or to transport the unit with a dead battery, align the hole in the wheel with the hole closest to the end of the axle.
- Insert lock pin through the axle.

# ASSEMBLY

- Wrap the lock pin's wire lock around the axle and secure it to the bottom of the lock pin.
- Repeat with the second wheel.

## INSTALLING THE SIDE PANELS

See Figure 7 - 8.

- Position the side panel as shown.
- Slide the longer screw through the hole at the narrow end of the side panel.
- Place a spacer on the screw, then install the screw into the hole closest to the wheel and tighten.
- Adjust the position of the side panel until the top hole on the wide end of the panel is aligned with the hole closest to the rear of the tool.
- Install the lock knob into the hole closest to the rear of the tool.
- Tighten securely. Do not overtighten.
- Repeat the process on the other side to install second side panel.

### To raise and lower a side panel:

- Loosen the lock knob.
- Raise or lower the side panel into one of the four positions.
- Tighten the knob to secure side panel in place.

**NOTE:** Rotate the side panels up to avoid clogging and maximize tilling depth or down to prevent damaging nearby objects and blowing debris.

## INSTALLING THE DEPTH BAR

See Figure 9.

- Remove the handle and bolt from the depth bar.
  - Raise the dirt flap at the rear of the tool to gain access to the underside of the depth bar bracket.
  - Insert the depth bar into the bottom of the bracket with the stop plate facing the rear of the tool.
  - Pull the spring loaded lock knob out and continue inserting the depth bar until several holes are visible above the top of the bracket.
  - Release the lock knob and move the depth bar up or down until the knob snaps into one of the holes.
  - Install the handle and bolt into the top hole in the depth bar.
- NOTE:** When viewed from the rear of the tool, the depth bar handle will be on the left side of the tool.
- To reposition the depth bar, pull the lock knob out and move the depth bar up or down.

**NOTE:** High positions are best for deeptilling of soft soil, medium positions are suitable for general cultivation and aeration, and low positions are best for shallow cultivation and hard soil.

# OPERATION

### **WARNING:**

Do not allow familiarity with products to make you careless. Remember that a careless fraction of a second is sufficient to inflict serious injury.

### **WARNING:**

Always wear eye protection with side shields marked to comply with ANSI Z87.1. Failure to do so could result in objects being thrown into your eyes resulting in possible serious injury.

### **WARNING:**

Do not use any attachments or accessories not recommended by the manufacturer of this product. The use of attachments or accessories not recommended can result in serious personal injury.

### **NOTICE:**

Before each use, inspect the entire product for damaged, missing, or loose parts such as screws, nuts, bolts, caps, etc. Tighten securely all fasteners and caps and do not operate this product until all missing or damaged parts are replaced. Please contact customer service or an authorized service center for assistance.

# OPERATION

## APPLICATIONS

You may use this product for the purpose listed below:

- Breaking up garden soil to prepare seed bed for planting
- Shallow cultivating to remove weeds

## INSTALLING/REMOVING BATTERY

See Figures 10 - 11.

### To install battery packs:

- Raise the battery cover.
- Align raised ribs on battery pack with grooves in the battery port and install the battery pack into the tiller.

### **WARNING:**

Make sure the latch on the bottom of the battery pack snaps in place and the battery pack is fully seated and secure in the tiller's battery port before beginning operation. Failure to securely seat the battery pack could cause the battery pack to fall out, resulting in serious personal injury.

- Lower the battery cover and make sure it is securely closed.

**NOTE:** This product has four active battery ports, two ports on the left (PAIR A) and two ports on the right (PAIR B). To use the tiller there must be at least two 40V batteries on either the left side (PAIR A) or the right side (PAIR B). For optimal performance, install four 40V battery packs of 4Ah or greater is recommended. If only one battery is installed on either the left or the right side, that battery will not provide power to the unit.

### To remove battery packs:

- Raise the battery cover.
- Press and hold the battery latch button at the bottom of the battery pack.
- Remove battery pack from the tiller.
- Lower the battery cover and make sure it is securely closed.

For complete charging instructions, refer to the Operator's Manuals for your RYOBI battery pack and charger models.

### **WARNING:**

To avoid accidental starting that could result in serious personal injury, always remove the start key and battery packs when moving or transporting the tiller.

## STARTING/STOPPING THE TILLER

See Figures 12.

### **WARNING:**

Ensure the wheels are installed for self-propulsion during normal operation. Doing so will ensure the wheels provide adequate resistance to the force generated during tine rotation. If the wheels are installed in the wrong position, the tine rotation could cause the unit to move unexpectedly which could result in property damage or serious personal injury.

### **NOTICE:**

Wear heavy duty gloves when tilling.

- Raise the battery cover.
- Install battery packs as previously described.
- Insert the start key into the slot in front of the battery ports.

**NOTE:** The start key can be inserted with the arrow facing the two ports on the left (PAIR A) or the two ports on the right (PAIR B). To start, the arrow must be facing a pair of charged battery packs.

- Close the battery cover.
- Raise the back of the unit so the tines and depth bar do not contact the ground.
- Press and hold the start button. Pull the bail toward the handle and release the start button when the motor and tines start.

**NOTE:** The motor and tines will also start if the bail is engaged first and the start button is pressed after.

- To stop the unit, release the bail.

## TRANSPORT MODE OPERATION

See Figure 13.

Transport mode can be used to power the tiller from one location to another without engaging the tines.

- Raise the back of the unit so the tines and depth bar do not contact the ground.
- Press and hold the transport mode button. Pull the bail toward the handle and release the transport mode button when the motor starts.

**NOTE:** In transport mode, the motor will start but the tines will not rotate.

- Push the drive speed control lever forward to increase the speed and rearward to decrease the speed.
- For reverse, pull the drive speed control lever fully rearward.

# OPERATION

## DRIVE SPEED CONTROL LEVER

See Figure 14.

Use the drive speed control lever to change drive speed and choose the direction of movement. To use the drive speed control lever:

- Start the tiller.
- Push the drive speed control lever forward to increase forward speed.
- Pull the drive speed control lever rearward to decrease forward speed.
- For reverse, pull the drive speed control lever fully rearward.

**NOTE:** Tine rotation is halted when the lever is in the reverse position.

## PREPARING THE SEED BED

See Figures 15 - 16.

### **WARNING:**

Do not allow hands, feet, or any other part of the body or clothing near the rotating tines or any other moving part. The tines begin to rotate once the start button is depressed and bail is pulled. The tines continue to rotate until the bail is released. Failure to avoid contact could cause serious personal injury.

### **WARNING:**

To avoid personal injury, never transport the tiller while the tines are running. Move the tiller to the work area before starting the tines.

### **WARNING:**

After extended periods of use, the tiller gearbox may become hot. To avoid burns, do not touch the gearbox until it has had time to cool down.

### **WARNING:**

Always hold the tiller away from the body keeping clearance between the body and the tiller. Any contact with the tines while operating can result in serious personal injury.

The tiller can be used to break up garden soil and prepare a seedbed for planting. Plan ahead to leave enough room between the seed rows to allow for machine cultivating after the plants have grown.

- Roll the machine to the work area.

**NOTE:** If desired, the machine can be moved in transport mode.

- Adjust the position of the depth bar for shallow or deep cultivation (refer to **Installing the depth bar**).

**NOTE:** Based on the type of soil being cultivated and soil conditions at the time, the appropriate position of the depth bar will vary.

- Stand behind the unit with the tines on the ground and the work area clean and free of obstructions.

- Start the tiller.

- For forward operation, gradually move the speed control lever forward. For reverse, move the lever completely rearward.

**NOTE:** Tine rotation is halted when the lever is in the reverse position.

**NOTE:** Several passes over the same path may be required to reach the desired depth. Do not try to dig too deeply in the first pass. If the machine jumps or bucks, allow the unit to move forward at a slightly faster rate, adjust the position of the depth bar, or add sand to the ballast tank.

To dig more deeply, continuously pull the tiller towards you and let it pull itself forward.

If the machine stays and digs in one spot, lift up gently on the handlebars. The forward motion of the tires will pull the machine forward and overcome the force from tine rotation. If the soil is very hard, water a few days before cultivating.

Avoid working the soil when soggy or wet. Wait a day or two after heavy rain for the ground to dry.

When tilling in confined areas or rows, rotate the lower side panels down to avoid damaging nearby objects. When tilling in dry conditions, lower the side panels to keep dust at a minimum.



# MAINTENANCE

## **WARNING:**

To avoid serious personal injury, always remove the battery packs and start key from the product before inspecting, cleaning or performing any maintenance.

## **WARNING:**

Always wear eye protection with side shields marked to comply with ANSI Z87.1. Failure to do so could result in objects being thrown into your eyes resulting in possible serious injury.

## **WARNING:**

When servicing, use only authorized replacement parts. Use of any other parts can create a hazard or cause product damage.

## **NOTICE:**

Periodically inspect the entire product for damaged, missing, or loose parts such as screws, nuts, bolts, caps, etc. Tighten securely all fasteners and caps and do not operate this product until all missing or damaged parts are replaced. Please contact customer service or an authorized service center for assistance.

## **GENERAL MAINTENANCE**

Avoid using solvents when cleaning plastic parts. Most plastics are susceptible to damage from various types of commercial solvents and may be damaged by their use. Use clean cloths to remove dirt, dust, oil, grease, etc.

## **WARNING:**

Do not at any time let brake fluids, gasoline, petroleum-based products, penetrating oils, etc., come in contact with plastic parts. Chemicals can damage, weaken, or destroy plastic which can result in serious personal injury.

## **LUBRICATION**

All of the bearings in this product are lubricated with a sufficient amount of high grade lubricant for the life of the unit under normal operating conditions. Therefore, no further bearing lubrication is required.

## **REMOVING AND REPLACING THE TINES**

See Figures 17.

## **WARNING:**

Ensure compatibility and fit before using this accessory. Do not use this accessory if a part is damaged or missing. If you are not comfortable performing any of the functions described in these instructions, take your unit to a qualified service center.

## **WARNING:**

Always protect hands by wearing heavy gloves and/or wrapping the cutting edges of the tines with rags and other material when installing or removing tines. Contact with the tines could result in serious personal injury.

With user facing the REAR of the tiller, the left tine assembly is marked "L". The right inner tine assembly is marked "R". For correct operation of the unit, the tines must be installed in the correct position. Replacement tines model number ACTIL03.

- From the rear of the tool, tilt the unit forward and lift the dirt flap up to access the tine shaft.  
**NOTE:** If the side panels are installed, remove them.
- Place the tine assemblies on the tine shaft as shown.
- Rotate the tine assemblies until the holes in the assemblies are aligned with the holes in the tine shaft.  
**NOTE:** If the holes do not align, the tine assemblies may be installed on the wrong sides. Reverse the position of the tine assemblies and check for hole alignment.
- Insert shear pins through the holes in the tine assemblies and the shaft. Secure with hitch clips.

## **STORING THE TILLER**

- Clean dirt, grass, and other materials from the entire unit.
- Wipe the tines with oil or spray them with silicone lubricant to prevent rusting.
- Do not remove the motor cover.
- Order new parts to replace any that are badly worn or broken.
- Store in an upright position in a clean, dry place.

# TROUBLESHOOTING

IF THESE SOLUTIONS DO NOT SOLVE THE PROBLEM CONTACT YOUR AUTHORIZED SERVICE DEALER.

PROBLEM	POSSIBLE CAUSE	SOLUTION
Tines will not rotate	Tines are clogged by dirt and debris.	Remove the battery packs and start key, then remove any obstruction from the tines.
	Vines, grass or other debris wrapped around tine shaft.	Remove the battery packs and start key, then clean the tine shaft.
Motor fails to start when bail is pulled	Battery is low in charge.	Charge the battery.
	Batteries not in correct orientation (minimum of one pair).	Confirm battery orientation.
	Start key arrow not pointing to a charged pair of battery packs	Reverse the position of the start key.
	Start button is not depressed.	Press start button and pull the bail.
The motor is on but the tines do not turn.	Start button is not depressed or transport mode is activated	Press the start button and pull the bail with the speed control lever 3/4 forward.
The tines stop rotating	The unit is overloaded.	Release the bail and raise the tines. Restart the tiller and tines, then slowly lower the tines back to their original depth.

**This product has a Five-year Limited Warranty for personal, family, or household use (90 days for business or commercial use). For warranty details, visit [www.ryobitools.com](http://www.ryobitools.com) or call (toll free) 1-800-525-2579.**

# INSTRUCTIONS IMPORTANTES CONCERNANT LA SÉCURITÉ

## **AVERTISSEMENT !**

Lors de l'utilisation d'outils de jardinage, toujours suivre les consignes de sécurité de base pour éviter les risques d'incendie, d'électrocution et de blessures.

## **LIRE TOUTES LES INSTRUCTIONS**

- Pour travailler en toute sécurité, lire et veiller à bien comprendre toutes les instructions avant d'utiliser ce produit. Respecter toutes les instructions de sécurité. Le non respect des instructions de sécurité ci-dessous peut entraîner des blessures graves.
- Apprendre à connaître le cultivateur. Lire attentivement le manuel d'utilisation. Apprendre les applications et les limites de le cultivateur, ainsi que les risques spécifiques relatifs à son utilisation. Savoir comment arrêter l'appareil et désengager les commandes rapidement. Le respect de cette consigne réduira les risques d'incendie, de choc électrique et de blessures graves.
- Ne pas laisser des enfants ou personnes n'ayant pas reçu une formation adéquate utiliser cet produit.
- Le travail avec un cultivateur poussé motorisé est exténuant. Il faut avoir une bonne forme physique et être mentalement alerte. Si l'utilisateur a une condition pouvant être aggravée par un travail exténuant, consulter un médecin avant d'utiliser un cultivateur poussé motorisé.
- Toujours porter une protection oculaire avec écrans latéraux certifiée conforme à la norme ANSI Z87.1 lors de l'utilisation de ce produit. Le respect de cette règle réduira les risques de blessures graves.
- Porter des lunettes de sécurité - Porter un masque facial ou un masque antipoussière si le travail produit de la poussière. Toujours porter des lunettes de sécurité avec écrans latéraux. Les lunettes de vue ordinaires sont munies seulement de verres résistants aux impacts. Ce ne sont PAS des lunettes de sécurité. Le respect de cette règle réduira les risques de lésions oculaires.
- Protection respiratoire. Porter un masque facial ou un masque antipoussière si le travail produit de la poussière. Le respect de cette consigne réduira les risques de blessures graves.
- Porter des vêtements appropriés – Ne porter ni vêtements amples, ni bijoux. Ils peuvent être pris dans les parties en mouvement. On recommande d'utiliser des gants de caoutchouc et des chaussures solides pour le travail à l'extérieur. Porter des pantalons longs, manches longue, des chaussures et des gants épais. Ne pas porter de shorts, sandales et ne pas travailler pieds nus. Ne porter aucun bijou. Attacher les cheveux longs pour les maintenir au-dessus des épaules, afin qu'ils ne se prennent pas dans les pièces en mouvement.

- Tenir les enfants éloignés - Garder les badauds, enfants et animaux à une distance de 15 m (50 pi) minimum.

## **AVERTISSEMENT :**

Rester alerte - Se concentrer sur son travail et faire preuve de bon sens. Ne pas utiliser ce taille-bordures en état de fatigue, si l'on est souffrant ou sous l'influence de l'alcool, de drogues ou de médicaments. Un moment d'inattention lors de l'utilisation de la scie peut entraîner des blessures graves.

- Ne pas travailler sous un éclairage insuffisant.
- Garder toutes les parties du corps à l'écart des pièces en mouvement.
- Ne pas utiliser d'outils électriques dans des atmosphères explosives, par exemple en présence de liquides, gaz ou poussières inflammables. Les outils électriques produisent des étincelles risquant d'enflammer les poussières ou vapeurs.
- Éviter tout contact du corps avec des surfaces mises à la terre, telles que tuyaux, radiateurs, cuisinières et réfrigérateurs. Le risque de choc électrique est accru lorsque le corps est mis à la terre.
- Éviter les environnements dangereux - Ne pas exposer le appareil ou cultivateur à la pluie ou l'humidité. La pénétration d'eau dans ces appareils ou cultivateur accroît le risque de choc électrique.
- Utiliser les appareils appropriés - Ne pas forcer l'produit. Utiliser un produit approprié pour le travail. Un produit approprié exécutera le travail mieux et de façon moins dangereuse s'il fonctionne dans les limites prévues.
- Ne pas forcer appareil – Un produit approprié exécutera le travail mieux et de façon moins dangereuse s'il fonctionne dans les limites prévues.
- Ne pas faire fonctionner l'équipement pied-nu ou en portant des sandales ou des chaussures légères similaires. Porter des chaussures de protection qui protègent vos pieds et améliorent votre équilibre sur des surfaces glissantes.
- Ne pas travailler hors de portée - Toujours se tenir bien campé et en équilibre. Ceci pourrait résulter en une perte d'équilibre.
- Éviter les démarrages accidentels - S'assurer que la barre est verrouillée en position d'arrêt avant d'insérer le bloc de piles. Le transport d'outils avec le doigt sur le commutateur ou l'insertion du bloc de piles avec le commutateur en position de marche est une invite aux accidents.
- Ne pas utiliser l'produit si le commutateur ne permet pas de le mettre en marche et de l'arrêter. Tout produit qui ne peut pas être contrôlé par son commutateur est dangereux et doit être réparé.

# INSTRUCTIONS IMPORTANTES CONCERNANT LA SÉCURITÉ

- Débrancher le bloc-piles - Débrancher le bloc-piles de l'appareil avant remiser, d'effectuer l'entretien, ou de changer d'accessoire comme la ligne de coupe. Ces mesures de sécurité réduisent les risques de démarrage accidentel de l'outil.
- Utiliser exclusivement des pièces de rechange et accessoire d'origine. L'usage de toute autre pièce pourrait créer une situation dangereuse ou endommager l'produit.
- Assurer un entretien soigneux de l'appareil - Si la tête de coupe est fendue, brisée ou endommagée de quelque façon que ce soit, la remplacer. S'assurer que la tête de coupe ou la lame est correctement installée et solidement assujettie. S'il ne le sont pas, l'opérateur court des risques de blessures graves. Garder l'outil et sa poignée secs, propres et exempts d'huile ou de graisse.
- Ne jamais faire fonctionner l'outil sans avoir installé les protecteurs, plaques et autres dispositifs de protection.
- Utiliser seulement des dents de rechange d'origine.. Ne pas utiliser un autre accessoire de coupe, tel que fil métallique, corde, ou autre. L'installation de dents d'une autre marque sur ce cultivateur représente un risque de blessures graves.
- Ne jamais utiliser l'produit si la protection des dents n'est pas en place et en bon état.
- Maintenir tous les assemblages serrés et s'assurer de la bonne sécurité de fonctionnement du cultivateur.
- Maintenir fermement les deux poignées pendant le travail.
- Entreposer les outils à l'intérieur - Quand pas dans l'usage, cultivateur devrait être emmagasiné à la maison dans un sec, fermé à clef la remiser dans un endroit inaccessible aux enfants.
- Examiner la surface à cultiver. Retirer les objets (roches, éclats de verre, clous, câbles, fils, etc.) pouvant être projetés par les dents.
- Soyez extrêmement prudent lorsque vous labourez un sol dur. L'appareil peut soudainement rebondir ou sauter en avant, si les dents frappent des obstacles enfouis tels que des pierres larges, des racines ou des souches.
- S'assurer que les événements d'aération sont propres et exempts de débris afin d'éviter que le moteur ne surchauffe. Les nettoyer après chaque utilisation.
- Ne jamais faire fonctionner le cultivateur sans avoir une bonne visibilité et lumière.
- Les dents en rotation peuvent provoquer des blessures graves; ne pas approcher les mains, les pieds ou toute autre partie du corps ou bien des vêtements près des dents en rotation ou de toute autre pièce en mouvement. Les dents commencent à tourner dès que le bouton de verrouillage est enfoncé et que la barre est relâchée. Les dents continuent à tourner jusqu'à ce que la barre est relâchée.
- Ne pas faire fonctionner l'équipement sans porter des vêtements appropriés. Éviter les vêtements ou bijoux lâches qui pourraient se coincer dans des pièces en mouvement de l'équipement ou de son moteur.
- Ne pas mettre les mains ou les pieds à côté des dents ou en dessous de celles-ci.
- Consulter toujours le manuel d'installation pour obtenir des renseignements importants sur le stockage du cultivateur durant une période prolongée.
- Ne pas utiliser à proximité de conduites, tuyaux, lignes téléphoniques ou câbles électriques souterrains. En cas de doute, contacter la compagnie d'électricité, de gaz, d'eau ou de téléphone pour identifier les services souterrains.
- Si l'appareil frappe un corps étranger, couper le moteur, déconnecter les blocs-piles, inspecter complètement l'équipement et réparer le dommage éventuel avant de redémarrer l'équipement et de le faire fonctionner.
- Dans le cas où le cultivateur commencera à vibrer anormalement, arrêter le moteur et faire immédiatement une vérification pour la cause. Généralement, un bruit anormal avertit qu'il y a un problème.
- Arrêter le moteur, retirer la clé de démarrage, et déconnecter les blocs-piles avant d'éliminer les obstructions des dents et lors de réparations, réglages ou inspections.
- Ne pas surcharger la capacité de l'équipement en travaillant trop en profondeur dans une seule passe ou à une vitesse trop élevée.
- Être conscient que l'équipement peut rebondir inopinément vers le haut ou sauter en avant si les dents cognent des obstacles enterrés tels que des grosses pierres, racines ou souches.
- Ne pas utiliser d'outils ou accessoires non recommandés pour cet outil.
- Ne jamais faire fonctionner l'équipement sur une pente.
- Faire preuve de la plus extrême prudence lors de la traction de l'équipement vers soi ou marcha atrás.
- Démarrer soigneusement l'unité selon les instructions depuis une position normale de fonctionnement, en gardant les pieds à l'écart des dents. Ne pas forcer l'outil. Il sera plus efficace et présentera moins de risques de blessures s'il est utilisé dans les limites de ses spécifications.
- Entretenir soigneusement le cultivateur. Garder les dents de l'outil propres pour un meilleur rendement et pour réduire les risques de blessures. Suivre les instructions de lubrification et de changement d'accessoires. Inspecter périodiquement les dents et remplacer les dents endommagées. Garder les mains propres et sèches, sans graisse ou lubrifiant.
- Ne jamais utiliser un boyau, de l'eau ou un autre liquide pour nettoyer ou rincer le cultivateur. Les liquides corrosifs, l'eau, l'engrais et les produits chimiques utilisés pour traiter




# INSTRUCTIONS IMPORTANTES CONCERNANT LA SÉCURITÉ

les pelouses peuvent s'infiltrer dans le cultivateur ou le compartiment de la pile et endommager les composants électroniques ou le bloc-pile, ce qui peut entraîner un court-circuit, augmenter le risque d'incendie ou des blessures corporelles graves. Enlever toute accumulation d'herbes ou de feuilles sur ou autour du corps du cultivateur ou en dessous de la plateforme du cultivateur. Essuyer le cultivateur de temps en temps avec un linge sec.












- Vérifier l'état des pièces. Avant d'utiliser l'outil de nouveau, examiner soigneusement les pièces et dispositifs de protection qui semblent endommagés afin de déterminer s'ils fonctionnent correctement et s'ils remplissent les fonctions prévues. Vérifier l'alignement des pièces mobiles, s'assurer qu'aucune pièce n'est bloquée ni brisée, vérifier le montage de chaque pièce et s'assurer qu'aucun autre problème ne risque d'affecter le bon fonctionnement de l'outil. Toute protection ou pièce endommagée doit être correctement réparée ou remplacée dans un centre de réparation agréé, sauf indication contraire dans ce manuel.
- Si l'appareil ne fonctionne pas correctement, s'il a été échappé, s'il est endommagé, s'il a été laissé à l'extérieur ou s'il est tombé dans l'eau, retourner le produit au centre de réparations.
- Arrêter l'produit et le débrancher de la source d'alimentation lorsqu'il n'est pas utilisé. Attendre l'arrêt complet du moteur de dents avant de transporter l'produit.
- Ranger l'produit en s'assurant qu'il est débranché et qu'il est hors de la portée des enfants.
- Ne pas suspendre l'produit d'une façon qui enclencherait la barre.
- Les outils fonctionnant sur piles n'ayant pas besoin d'être branchés sur une prise de courant, ils sont toujours en état de fonctionnement. Tenir compte des dangers possibles lorsque l'produit n'est pas en usage et lors du remplacement des piles. Le respect de cette consigne réduira les risques d'incendie, de choc électrique et de blessures graves.
- Ne pas recharger un produit fonctionnant sur piles dans un endroit la pluie ou humide ou mouillé. Le respect de cette règle réduira les risques de choc électrique.
- Ne pas utiliser un appareil alimenté par pile sous la pluie.
- Retirer ou débrancher la pile avant l'entretien ou le nettoyage de l'produit de jardin ou avant d'en retirer des matériaux.
- Utiliser ce produit seulement avec les piles et les chargeurs indiqués dans le supplément de raccordement pour chargeur/outils/piles/appareil n° 988000-842.
- Ne pas jeter les piles au feu. La cellule peut exploser. Vérifier les codes locaux pour connaître toute instruction spéciale relative à l'élimination des piles.
- Ne pas altérer le bloc de piles. L'électrolyte est un produit corrosif pouvant causer des lésions cutanées ou oculaires. Il peut être toxique en cas d'ingestion.
- Ne pas placer les outils électriques sans fil ou leurs piles à proximité de flammes ou d'une source de chaleur. Ceci réduira les risques d'explosion et de blessures.
- Les piles peuvent exploser en présence d'une source d'allumage, telle qu'une veilleuse. Pour réduire les risques de blessures graves, ne jamais utiliser un appareil sans fil, quel qu'il soit, en présence d'une flamme vive. En explosant, une pile peut projeter des débris et des produits chimiques. En cas d'exposition, rincer immédiatement les parties atteintes avec de l'eau.
- Ne pas écraser, faire tomber ou endommager le bloc de piles. Ne jamais utiliser un bloc de piles ou un chargeur qui est tombé, a été écrasé, a reçu un choc violent ou a été endommagé de quelque façon que ce soit. Une pile endommagée risque d'exploser. Éliminer immédiatement toute pile endommagée, selon une méthode appropriée.
- Manipuler les piles avec soin pour éviter des courts circuits avec des objets conducteurs comme des anneaux, des bracelets et des clés. La pile ou l'objet conducteur peuvent surchauffer et causer des brûlures.
- Pour un résultat optimal, les piles de l'produit doivent être rechargées dans un local où la température est de 10 à 38 °C (50 à 100 °F). Ne pas ranger l'produit à l'extérieur ou dans un véhicule.
- Si l'produit est utilisé de façon intensive ou sous des températures extrêmes, des fuites de pile peuvent se produire. En cas de contact du liquide avec la peau, rincez immédiatement la partie atteinte avec de l'eau savonneuse. En cas d'éclaboussure dans les yeux, rincez-les à l'eau fraîche pendant au moins 10 minutes, puis contactez immédiatement un médecin. Le respect de cette consigne réduira les risques de blessures graves.
- Ne pas utiliser un bloc-piles ou un appareil endommagé ou modifié. Le bris ou la modification du bloc-piles peut causer un comportement imprévisible et causer un incendie, une explosion ou des blessures.
- Lorsque le bloc-piles n'est pas utilisé, le tenir à l'écart d'objets métalliques tels que : les attaches trombones, les pièces de monnaie, les clous, les vis et les autres petits objets métalliques risquant d'établir le contact entre les deux bornes. La mise en court-circuit des bornes de piles peut causer des étincelles, des brûlures ou un incendie.
- Ne pas exposer le bloc-piles ou l'outil à un feu ou à des températures excessives. Une exposition à un incendie ou à une température supérieure à 130 °C (265 °F) peut provoquer une explosion.
- Faire preuve d'une grande prudence lors d'un déplacement sur des surfaces en gravier. Rester vigilant à l'égard des dangers cachés ou de la circulation.
- Conserver ces instructions. Les consulter fréquemment et les utiliser pour instruire les autres utilisateurs éventuels. Si cet produit est prêté, il doit être accompagné de ces instructions.

# SYMBOLES

Les termes de mise en garde suivants et leur signification ont pour but d'expliquer le degré de risques associé à l'utilisation de ce produit.

SYMBOLE	SIGNAL	SIGNIFICATION
	<b>DANGER:</b>	Indique une situation dangereuse qui, si elle n'est pas évitée, aura pour conséquences des blessures graves ou mortelles.
	<b>AVERTISSEMENT :</b>	Indique une situation dangereuse qui, si elle n'est pas évitée, pourrait entraîner des blessures graves ou mortelles.
	<b>ATTENTION :</b>	Indique une situation dangereuse qui, si elle n'est pas évitée, pourrait entraîner des blessures légères ou de gravité modérée.
	<b>AVIS :</b>	(Sans symbole d'alerte de sécurité) Indique les informations jugées importantes sans toutefois représenter un risque de blessure (ex. : messages concernant les dommages matériels).

Certains des symboles ci-dessous peuvent être utilisés sur produit. Veiller à les étudier et à apprendre leur signification. Une interprétation correcte de ces symboles permettra d'utiliser produit plus efficacement et de réduire les risques.

SYMBOL	NAME	DESIGNATION/EXPLANATION
	Symbole d'alerte de sécurité	Indique un risque de blessure potentiel.
	Lire manuel d'utilisation	Pour réduire les risques de blessures, l'utilisateur doit lire et veiller à bien comprendre le manuel d'utilisation avant d'utiliser ce produit.
	Protection oculaire	Toujours porter une protection oculaire avec écrans latéraux certifiée conforme à la norme ANSI Z87.1.
	Avertissement concernant l'humidité	Ne pas exposer à la pluie ou l'humidité.
	Ne laisser personne s'approcher	Garder les badauds à une distance de 15 m (50 pi) minimum.
	Risque de coupure	Éloigner les pieds et les mains des dents en tournantes. Elles peuvent infliger des blessures.
	Risque de coupure	Éloigner les pieds et les mains des dents en tournantes. Elles peuvent infliger des blessures.
	Électricité	Ce produit est considéré comme ayant une tension dangereuse.
	Symbole de recyclage	Ce produit utilise les piles de lithium-ion (Li-ion). Les réglementations locales ou gouvernementales peuvent interdire de jeter les piles dans les ordures ménagères. Consulter les autorités locales compétentes pour les options de recyclage et/ou l'élimination.
	Courant continu	Type ou caractéristique du courant
	Volts	Tension

# CARACTÉRISTIQUES

## FICHE TECHNIQUE

Moteur\* ..... 80 V c.c.  
Nombre de dents ..... 4  
Largeur de coupe ..... 457,20 mm (18 po)

Profondeur de coupe ..... 203,2 mm (8 po)  
Direction des roues ..... marche avant et marche arrière

\*Ce produit nécessite deux paires de blocs-piles de 40 V pour fonctionner.

## APPRENDRE À CONNAÎTRE LE CULTIVATEUR

Voir la figure 1.

La sécurité d'utilisation de ce produit exige la compréhension des informations apposées sur le produit et contenues dans ce manuel d'utilisation, ainsi que la connaissance du travail à exécuter. Avant d'utiliser ce produit, se familiariser avec toutes ses fonctions et règles de sécurité.

## COUVERCLE DES PILES

Le couvercle de pile protège le logement de piles contre les débris.

## MOTEURS SANS BALAI

Ce produit est équipé de deux moteurs sans balais qui maximisent la puissance et les performances ainsi que l'autonomie des piles.

## BARRE PARE-CHOC

La barre pare-choc protège l'avant du cultivateur lors de son utilisation et peut également servir de poignée lors du transport du cultivateur.

## LEVIER DE COMMANDE DE LA VITESSE D'ENTRAÎNEMENT

Ce levier permet à l'utilisateur de régler la direction et la vitesse de la fonction d'autopropulsion.

## QUATRE COMPARTIMENTS DE PILES ACTIFS

Ce produit dispose de quatre ports de piles actifs, deux ports sur la gauche (PAIRE A) et deux ports sur la droite (PAIRE B). Pour utiliser le cultivateur, il faut au moins deux piles de 40 V sur le côté gauche (PAIRE B) ou sur le côté droit (PAIRE A). Pour un rendement optimal, il est recommandé d'installer quatre blocs-piles de 40 V de 4 Ah ou plus.

## BOUTON DE DÉMARRAGE ET BARRE

Le bouton de démarrage et barre sont situés au haut de la poignée supérieure de la cultivateur. Enfoncer le bouton de démarrage puis appuyer sur la barre pour démarrer le moteur et dents. Relâcher la barre pour arrêter le moteur et dents.

**NOTE :** Le moteur et les dents démarreront également, si la barre est enclenchée avant d'appuyer sur le bouton de démarrage.

## CLÉ DE DÉMARRAGE

La clé de démarrage doit être insérée et l'indicateur doit pointer vers une paire de deux piles chargées avant de pouvoir démarrer le cultivateur.

# ASSEMBLAGE

## DÉBALLAGE

Ce produit nécessite l'assemblage.

- Retirez prudemment l'outil et les accessoires de la boîte. Assurez-vous que tous les articles énumérés sur la **Liste d'expédition** sont inclus.



### AVERTISSEMENT :

Ne pas utiliser le produit si, en le déballant, vous constatez que des éléments figurant sur la **Liste d'expédition** sont déjà assemblés. Certaines pièces figurant sur cette liste n'ont pas été assemblées par le fabricant et exigent une installation. Le fait d'utiliser un produit qui a été assemblé de façon inadéquate peut entraîner des blessures.

- Vérifiez attentivement si l'outil n'a pas subi des dommages ou des bris pendant le transport.

- Ne jetez pas l'emballage avant d'avoir inspecté l'outil et avant d'avoir vérifié s'il fonctionne correctement.
- Si des pièces sont manquantes ou endommagées, veuillez appeler au 1-800-525-2579 pour obtenir de l'aide.

## LISTE D'EXPÉDITION

Cultivateur  
Poignée supérieure avec quincaillerie  
Roues (2)  
Poignée de la barre pare-choc avec quincaillerie  
Bac de lestage avec quincaillerie  
Panneaux latéraux avec quincaillerie  
Clé de double extrémité  
Clé de Torx (T25)  
Guide de référence rapide  
Manuel d'utilisation

# ASSEMBLAGE

## **AVERTISSEMENT :**

Si des pièces manquent ou sont endommagées, ne pas utiliser cet produit avant qu'elles aient été remplacées. Le fait d'utiliser ce produit même s'il contient des pièces endommagées ou s'il lui manque des pièces peut entraîner des blessures graves.

## **AVERTISSEMENT :**

Ne pas essayer de modifier cet produit ou de créer des accessoires non recommandés pour le produit. De telles altérations ou modifications sont considérées comme un usage abusif et peuvent créer des conditions dangereuses, risquant d'entraîner des blessures graves.

## **AVERTISSEMENT :**

Pour éviter tout démarrage accidentel susceptible de provoquer des blessures graves, retirer toujours le bloc-piles et la clé de démarrage de l'appareil lorsque vous assemblez des pièces.

## **AVIS :**

Ne pas laisser les câbles reliant le panneau de contrôle et le moteur être pincés ou se coincer pendant l'assemblage.

## **INSTALLATION DE LA POIGNÉE SUPÉRIEURE**

*Voir les figures 2 et 3.*

- Tourner la poignée inférieure jusqu'à ce qu'elle repose sur le protège-dents, puis glisser la poignée supérieure dans la poignée inférieure.

**NOTE :** La poignée supérieure devrait s'emboîter dans les rainures de la poignée inférieure.

- Aligner les trous de la poignée inférieure sur ceux de la barre, puis sécuriser à l'aide des boulons et des écrous. Serrer fermement les boutons.
- Sécuriser le connecteur électrique de l'assemblage de fils en vissant les bornes ensemble jusqu'à bien les serrer avec l'écrou intégré sur le connecteur du moteur.

## **INSTALLATION DE POIGNÉE DE LA BARRE PARE-CHOC**

*Voir la figure 4.*

- Placer la poignée de la barre pare-choc à l'avant de l'outil.
- Aligner les trous du support de la poignée de la barre pare-choc avec les trous filetés à l'avant de l'outil.
- Insérer les boulons et les rondelles dans les trous. Serrer fermement avec la clé fournie.

## **INSTALLATION DE BAC DE LESTAGE**

*Voir la figure 5.*

- Retirer avec précaution le couvercle du bac de lestage.
- Retirer les boulons, les rondelles et les écrous à oreilles hors du réservoir de ballast.
- Placer le bac de lestage sur le poignée de la barre pare-choc.
- Aligner les trous du bac de lestage avec les trous du barre pare-choc.
- Insérer les boulons dans les trous du pare-buffle, puis mettre les rondelles et les écrous à oreilles à l'intérieur du réservoir. Serrez fermement .
- Réinstaller le couvercle du réservoir.

## **INSTALLATION DES ROUES**

*Voir la figure 6.*

Les roues sont fournies pour aider à déplacer l'appareil depuis et vers le site de travail.

**Pour installer :**

- Mettre les rondelles sur les essieux.
- Glisser une roue sur l'essieu dont le robinet d'air se trouve à l'extérieur.

## **AVERTISSEMENT :**

Veiller à ce que les roues soient installées de manière à permettre l'autopropulsion pendant le fonctionnement normal. Cela permet de s'assurer que les roues offrent une résistance adéquate à la force générée par la rotation des dents. Si les roues sont installées dans une mauvaise position, la rotation des dents peut provoquer un déplacement inattendu de l'appareil, ce qui peut entraîner des dommages matériels ou des blessures graves.

- Faire tourner la roue et aligner le trou de la roue avec le trou le plus éloigné de l'extrémité de l'essieu.
  - Pour un fonctionnement normal et l'autopropulsion, la roue doit être bloquée dans le trou le plus éloigné de l'extrémité de l'essieu.
  - Pour les opérations sur de longues distances ou pour transporter l'appareil avec une pile déchargée, la roue doit être bloquée dans le trou le plus proche de l'extrémité de l'essieu.
- Insérer la goupille de verrouillage dans l'axe.
- Envelopper le fil-frein de la goupille de verrouillage autour de l'essieu et le sécuriser au bas de la goupille de verrouillage.
- Répéter la procédure pour l'autre roue.



# ASSEMBLAGE

## INSTALLATION DES PANNEAUX LATÉRAUX

Voir les figures 7 et 8

- Positionner le panneau latéral comme il est illustré.
- Insérer la vis la plus longue dans le trou situé sur le bout étroit du panneau latéral.
- Placer une entretoise sur la vis, puis mettre la vis dans le trou le plus proche de la roue et serrer.
- Ajuster la position du panneau latéral jusqu'à ce que le trou supérieur sur le bout large du panneau s'aligne sur le trou le plus proche de l'arrière de l'outil.
- Mettre le bouton de verrouillage dans le trou le plus proche de l'arrière de l'outil.
- Serrer fermement. Éviter le serrage excessif.
- Répéter le procédé sur l'autre côté afin d'installer le deuxième panneau latéral.

### Pour lever et abaisser un panneau latéral :

- Desserrer le bouton de verrouillage.
- Lever ou abaisser le panneau latéral dans une des quatre positions.
- Serrer le bouton pour sécuriser le panneau latéral en place.

**NOTE :** Faire pivoter les panneaux latéraux vers le haut pour éviter le colmatage et maximiser la profondeur de labourage ou vers le bas pour éviter d'endommager les objets à proximité et de souffler des débris.

## INSTALLATION DE LA BARRE DE PROFONDEUR

Voir le figure 9.

- Enlever la poignée et le boulon de la barre de profondeur.
- Soulever le volet anti-salissures à l'arrière de l'outil pour accéder à la face inférieure du support de la barre de profondeur.
- Insérer la barre de profondeur dans la partie inférieure du support, le plaque de butée étant orienté vers l'arrière de l'outil.
- Tirer sur le bouton de verrouillage à ressort et continuez à insérer la barre de profondeur jusqu'à ce que plusieurs trous soient visibles au-dessus du haut du support.
- Relâcher le bouton de verrouillage et déplacer la barre de profondeur vers le haut ou vers le bas jusqu'à ce que le bouton s'enclenche dans l'un des trous.
- Placer la poignée et le boulon dans le trou supérieur de la barre de profondeur.

**NOTE :** Vue de l'arrière de l'outil, la poignée de la barre de profondeur se trouve sur le côté gauche de l'outil.

- Pour repositionner la barre de profondeur, tirer sur le bouton de verrouillage et déplacer la barre de profondeur vers le haut ou vers le bas.

**NOTE :** Les positions hautes conviennent le mieux au labourage profond des sols mous, les positions moyennes conviennent au travail général et à l'aération, et les positions basses conviennent le mieux au travail superficiel et aux sols durs.

# UTILISATION

### **AVERTISSEMENT :**

Ne laissez pas la familiarité tirée d'une utilisation fréquente de ce type de produit atténuer votre vigilance. Souvenez-vous qu'une fraction de seconde d'inattention suffit à infliger des blessures graves.

### **AVERTISSEMENT :**

Toujours porter une protection oculaire munie d'écrans latéraux certifiée conforme à la norme ANSI Z87.1. Si cette précaution n'est pas prise, des objets peuvent être projetés dans les yeux et causer des lésions graves.

### **AVERTISSEMENT :**

N'utilisez aucun ajout ni accessoire non-recommandé par le fabricant de ce produit. L'utilisation des ajouts ou des accessoires non recommandés pourrait résulter en des blessures corporelles graves.

### **AVIS :**

Avant chaque utilisation, inspecter au complet le produit afin de s'assurer qu'aucune pièce (vis, écrous, boulons, chapeaux, etc.) n'est endommagée, manquante ou desserrée. Serrer solidement toutes les pièces de fixation et les chapeaux et ne pas utiliser le produit tant que toutes les pièces manquantes ou endommagées n'ont pas été remplacées. Pour obtenir de l'aide, veuillez communiquer avec le service à la clientèle ou un centre de réparations autorisé.

# UTILISATION

## APPLICATIONS

Cet produit peut être utilisé pour les applications ci-dessous :

- Travailler la terre à jardin pour préparer la couche de semis
- Grattage pour retirer les mauvaises herbes

## INSTALLATION/RETRAIT DU BLOC-PILES

Voir les figures 10 et 11.

### Pour installer les bloc-piles :

- Ouvrir la couvercle des piles.
- Aligner les nervures sur le bloc-piles avec les rainures de la prise de pile et insérer le bloc-piles sur la cultivateur.

### AVERTISSEMENT :

S'assurer que le loquet au bas du bloc-piles s'enclenche et que le bloc-piles est installé et fixé correctement au cultivateur avant de commencer le travail. Ne pas installer et fixer correctement le bloc-piles peut provoquer la chute de ce dernier et occasionner des blessures graves.

- Fermeture la couvercle des piles et s'assurer que la couvercle tiennent fermement.

**NOTE :** Ce produit dispose de quatre ports de piles actifs, deux ports sur la gauche (PAIRE A) et deux ports sur la droite (PAIRE B). Pour utiliser le cultivateur, il faut au moins deux piles de 40 V sur le côté gauche (PAIRE B) ou sur le côté droit (PAIRE A). Pour un rendement optimal, il est recommandé d'installer quatre blocs-piles de 40 V de 4 Ah ou plus. Si une seule pile est installée du côté gauche ou du côté droit, cette pile ne fournira pas de courant à l'appareil.

### Pour retirer les bloc-piles :

- Ouvrir la couvercle des piles.
- Appuyer sur le loquet sur le bas du bloc-piles pour le séparer du cultivateur.
- Retirer le bloc-piles du cultivateur.
- Fermeture la couvercle des piles et s'assurer que la couvercle tiennent fermement.

Pour prendre connaissance de l'ensemble des instructions relatives à la charge, consulter les manuels d'utilisation des batteries de RYOBI et des modèles de chargeur connexes

### AVERTISSEMENT :

Pour éviter le démarrage accidentel pouvant causer des blessures graves, toujours retirer le bloc-piles et la clé de démarrage lors du déplacement ou du transport du cultivateur.

## MISE EN MARCHÉ / ARRÊT DU CULTIVATEUR

Voir la figure 12

### AVERTISSEMENT :

Veiller à ce que les roues soient installées de manière à permettre l'autopropulsion pendant le fonctionnement normal. Cela permet de s'assurer que les roues offrent une résistance adéquate à la force générée par la rotation des dents. Si les roues sont installées dans une mauvaise position, la rotation des dents peut provoquer un déplacement inattendu de l'appareil, ce qui peut entraîner des dommages matériels ou des blessures graves.

### AVIS :

Porter des gants résistants pendant l'utilisation.

- Ouvrir la couvercle des piles.
- Installer les bloc-piles tel qu'il est décrit précédemment.
- Insérer la clé de démarrage dans la fente située devant les ports de la pile.

**NOTE :** La clé de démarrage peut être insérée avec la flèche tournée vers les deux ports de gauche (PAIRE A) ou les deux ports de droite (PAIRE B). Pour commencer, la flèche doit faire face à une paire de piles chargées.

- Fermeture la couvercle des piles.
- Soulever l'arrière de l'unité de sorte que les dents et la barre de profondeur ne touchent pas le sol.
- Appuyer sur le bouton de démarrage et le maintenir enfoncé. Tirer la barre vers la poignée et relâcher le bouton de démarrage lorsque le moteur et les dents démarre.

**NOTE :** Le moteur et les dents démarreront également, si la barre est enclenchée avant d'appuyer sur le bouton de démarrage.

- Pour arrêter l'appareil, relâcher la barre.

## OPÉRATION MODE DE TRANSPORT

Voir la figure 13.

Le mode transport peut être utilisé pour déplacer le cultivateur d'un endroit à un autre sans engager les dents.

- Soulever l'arrière de l'unité de sorte que les dents et la barre de profondeur ne touchent pas le sol.
- Appuyer sur le bouton de mode de transport. Tirer la barre vers la poignée et relâcher le bouton de mode de transport lorsque le moteur démarre.

**NOTE :** En mode transport, le moteur démarre mais les dents ne tournent pas.

# UTILISATION

- Pousser le levier de commande de la vitesse d'entraînement vers l'avant pour augmenter la vitesse de déplacement et tirer le levier de commande de la vitesse vers l'arrière pour réduire la vitesse.
- Pour la marche arrière, tirer complètement le levier de commande de la vitesse de la tarière vers l'arrière.

## LEVIER DE COMMANDE DE LA VITESSE DE LA TARIÈRE

Voir le figure 14.

Utiliser le levier de commande de la vitesse de la tarière pour modifier la vitesse d'entraînement et choisir le sens du mouvement. Pour utiliser le levier de commande de la vitesse de la tarière :

- Démarrer le cultivateur.
- Pousser le levier de commande de la vitesse de la tarière vers l'avant pour augmenter la vitesse de déplacement.
- Tirer le levier de commande de la vitesse de la tarière vers l'arrière pour réduire la vitesse.
- Pour la marche arrière, tirer complètement le levier de commande de la vitesse de la tarière vers l'arrière.

**NOTE :** La rotation des dents est arrêtée lorsque le levier est en position de marche arrière.

## PRÉPARATION DE LIT DE SEMENCE

Voir les figures 15 et 16.

### AVERTISSEMENT :

Ne pas approcher les mains, les pieds ou toute autre partie du corps ou bien des vêtements près des dents en rotation ou de toute autre pièce en mouvement. Les dents commencent à tourner dès que le bouton de démarrage est enfoncé et que la barre est enclenchée. Les dents continuent à tourner jusqu'à ce que la barre est relâchée. Ne pas éviter un contact peut causer des blessures graves.

### AVERTISSEMENT :

Pour éviter les blessures corporelles, ne jamais transporter le cultivateur avec les dents en marche. Mettre le cultivateur dans la zone de travail avant de démarrer les dents.

### AVERTISSEMENT :

Dans le cas d'une utilisation prolongée, la boîte de transmission du cultivateur peut devenir très chaude. Pour éviter les brûlures, ne pas la toucher avant de l'avoir laissée refroidir.

### AVERTISSEMENT:

Toujours tenir le cultivateur en l'éloignant du corps et en gardant un dégagement approprié entre le corps et le cultivateur. Tout contact avec les dents lors de l'utilisation peut provoquer des blessures graves.

Le cultivateur peut servir à briser la terre et à préparer un lit de semence. Prévoir de laisser assez de place entre les rangées de semence pour pouvoir utiliser le cultivateur une fois les plantes poussées.

- Faire rouler la machine jusqu'à la zone de travail.  
**NOTE :** Si vous le souhaitez, la machine peut être déplacée en mode transport.
- Régler la position de la barre de profondeur pour un labourage peu profond ou profond (voir **Installation de la barre de profondeur**).  
**NOTE :** La position appropriée de l'assemblage des roues peut varier selon le type de sol à cultiver et les conditions du sol au moment donné.
- Se tenir derrière l'outil avec les roues de sarclage sur le sol et la zone de travail propre et dépourvue d'obstructions.
- Démarrer le cultivateur.
- Pour la marche avant, déplacer progressivement le levier de commande de la vitesse vers l'avant. Pour la marche arrière, déplacer le levier complètement vers l'arrière.  
**NOTE :** La rotation des dents est arrêtée lorsque le levier est en position de marche arrière.

**NOTE :** Il peut être nécessaire de passer plusieurs fois sur le même chemin pour atteindre la profondeur désirée. Ne pas essayer de creuser trop en profondeur au premier passage. Si la machine saute ou sautille, laisser l'unité avancer à une vitesse légèrement plus rapide, ajuster la position de la barre de profondeur ou ajouter du sable dans le bac de lestage.

Pour creuser en profondeur, tirer continuellement le cultivateur vers vous et le laisser se tirer vers l'avant.

Si la machine reste et creuse à un endroit, soulever doucement le guidon. Le mouvement vers l'avant des pneus va tirer la machine vers l'avant et vaincre la résistance de la rotation des dents. Si la terre est très dure, arroser quelques jours avant de sarcler.

Éviter de travailler la terre lorsqu'elle est mouillée ou détrempée. Attendre un jour ou deux après de fortes pluies pour laisser la terre sécher.

Lorsque vous travaillez dans des zones ou des rangs confinés, faire pivoter les panneaux latéraux inférieurs vers le bas pour éviter d'endommager les objets situés à proximité. Lors du labourage par temps sec, abaisser les panneaux latéraux pour limiter la poussière.

# ENTRETIEN

## **AVERTISSEMENT :**

Pour éviter toute blessure grave, retirer toujours les bloc-piles et la clé de démarrage du produit avant d'inspecter, de nettoyer ou d'effectuer tout entretien.

## **AVERTISSEMENT :**

Toujours porter une protection oculaire avec écrans latéraux certifiée conforme à la norme ANSI Z87.1. Si cette précaution n'est pas prise, des objets peuvent être projetés dans les yeux et causer des lésions graves.

## **AVERTISSEMENT :**

Lors de l'entretien, n'utiliser que des pièces de rechange autorisées. L'utilisation de toute autre pièce peut créer un danger ou endommager le produit.

## **AVIS :**

Inspecter périodiquement au complet le produit afin de s'assurer qu'aucune pièce (vis, écrous, boulons, chapeaux, etc.) n'est endommagée, manquante ou desserrée. Serrer solidement toutes les pièces de fixation et les chapeaux et ne pas utiliser le produit tant que toutes les pièces manquantes ou endommagées n'ont pas été remplacées. Pour obtenir de l'aide, veuillez communiquer avec le service à la clientèle ou un centre de réparations autorisé.

## **ENTRETIEN GÉNÉRAL**

Éviter d'utiliser des solvants pour le nettoyage des pièces en plastique. La plupart des matières plastiques peuvent être endommagées par divers types de solvants du commerce. Utiliser un chiffon propre pour éliminer la saleté, la poussière, l'huile, la graisse, etc.

## **AVERTISSEMENT :**

Ne jamais laisser de liquides tels que le fluide de freins, l'essence, les produits à base de pétrole, les huiles pénétrantes, etc., entrer en contact avec les pièces en plastique. Les produits chimiques peuvent endommager, affaiblir ou détruire le plastique, ce qui peut entraîner des blessures graves.

## **LUBRIFICATION**

Tous les roulements de cet outil sont lubrifiés à l'aide d'une quantité suffisante de lubrifiant de haute qualité pour toute la durée de l'outil dans des conditions normales d'utilisation. Alors, aucune lubrification ultérieure n'est nécessaire.

## **RETRAIT ET REMPLACEMENT LES DENTS**

*Voir la figure 17.*

## **AVERTISSEMENT :**

S'assurer que l'accessoire est compatible et qu'il est bien installé avant de l'utiliser. Ne pas utiliser cet accessoire si une pièce est endommagée ou manquante. Si vous n'êtes pas à l'aise de vous acquitter de l'une des fonctions décrites dans les présentes directives, veuillez apporter votre unité à un centre de service qualifié.

## **AVERTISSEMENT :**

Protégez toujours vos mains en portant des gants épais ou en enveloppant les bords tranchants de les dents avec des chiffons ou d'autre matériau quand vous installez ou retirez les dents. Contact avec les dents résulter en des blessures graves.

Lorsque l'utilisateur fait face à l'ARRIÈRE du cultivateur, l'ensemble de dents gauche est marqué « L ». L'ensemble de la dent intérieure droite est marqué « R ». Pour une utilisation correcte de l'appareil, les dents doivent être installées dans la bonne position. Le numéro de modèle des dents de rechange est ACTIL03.

- Depuis l'arrière de l'outil, incliner l'unité vers l'avant et soulever le clapet anti-salissure pour accéder à l'arbre des dents.

**NOTE :** Si les panneaux latéraux sont installés, retirez-les.

- Placer les assemblages de dents intérieurs sur l'axe des dents comme indiquée.
- Tourner les assemblages de dents jusqu'à ce que leurs trous s'alignent sur ceux de l'axe des dents.

**NOTE :** Si les trous ne sont pas alignés, les ensembles de dents peuvent être installés du mauvais côté. Inverser la position des ensembles de dents et vérifier l'alignement des trous.

- Insérer les goupilles de sécurité dans les trous des ensembles de dents et de l'arbre. Les fixer avec les pinces d'attelage.

## **REMISAGE DU CULTIVATEUR**

- Nettoyer la saleté, l'herbe et autres matériaux de l'ensemble de l'outil.
- Essuyer les dents avec de l'huile ou les arroser de lubrifiant au silicone pour empêcher la rouille.
- Ne pas retirer le couvercle du moteur.
- Commander de nouvelles pièces pour remplacer celles qui sont très usées ou cassées.
- Remiser l'outil en position verticale dans un endroit propre et sec.

# DÉPANNAGE

SI LES PRÉSENTES SOLUTIONS NE RÉSOUVENT PAS LE PROBLÈME, CONTACTER LE CENTRE DE RÉPARATIONS AGRÉÉ.

PROBLÈME	CAUSE POSSIBLE	SOLUTION
Les dents seront immobiles	Les dents sont obstruées par de la saleté et des débris.	Retirer les bloc-piles et la clé de démarrage puis retirer tous les débris coincés sur les dents.
	Lorsque des vignes, de l'herbe ou d'autres débris se trouve enroulés autour de l'arbre à dents.	Enlever les bloc-piles et la clé de démarrage, puis nettoyer l'arbre des dents.
Le moteur ne démarre pas lorsque l'on tire sur la barre	La pile n'est pas chargée.	Charger le bloc-piles
	Les piles ne sont pas orientées correctement (au moins une paire).	Confirmer l'orientation des piles.
	La flèche de la clé de démarrage ne pointe pas vers une paire de piles chargées	Inverser la position de la clé de démarrage.
	Le bouton de démarrage n'est pas enfoncé.	Appuyer sur le bouton de démarrage et tirer sur la barre
Le moteur est en marche, mais les dents ne tournent pas.	Le bouton de démarrage n'est pas enfoncé ou le mode transport est activé	Appuyer sur le bouton de démarrage et tirer sur la barre en ayant le levier de commande de vitesse 3/4 vers l'avant.
Les dents ne tournent plus	Excès de charge de l'outil.	Relâcher le barre et soulever les dents. Redémarrer le cultivateur et abaisser lentement les dents à la profondeur d'origine.

**Ce produit est accompagné d'une garantie limitée de cinq (5) ans pour utilisation personnel, familiales ou domestiques (90 jours pour utilisation affaires ou commerciaux). Pour obtenir les détails de la garantie, visiter le site [www.ryobitools.com](http://www.ryobitools.com) ou appeler (sans frais) au 1-800-525-2579.**

# INSTRUCCIONES DE SEGURIDAD IMPORTANTES

## ¡ADVERTENCIA!

Al utilizar herramientas eléctricas para el cuidado del jardín, con el fin de reducir el riesgo de incendio, descargas eléctricas y lesiones corporales, siempre deben seguirse ciertas medidas básicas de precaución.

## LEA TODAS LAS INSTRUCCIONES

- Para la operación segura, lea y entienda todas las instrucciones antes de usar este producto. Siga todas las instrucciones de seguridad. La inobservancia de todas las instrucciones de seguridad señaladas abajo puede causar lesiones corporales graves.
- Familiarícese con su cultivadora. Lea cuidadosamente el manual del operador. Aprenda sus usos y limitaciones, así como los posibles peligros específicos de esta cultivadora. Sepa cómo detener la unidad y desacoplar los controles rápidamente. Con el cumplimiento de esta regla se reduce el riesgo de una descarga eléctrica, incendio o lesión seria.
- No permita que utilicen esta unidad niños ni personas carentes de la debida instrucción para su manejo.
- El trabajo con la cultivadora de empuje con motor es extenuante. Debe estar en buen estado físico y mentalmente alerta. Si tiene alguna afección que pueda agravarse por un trabajo extenuante, consulte a su médico antes de operar una cultivadora de empuje con motor.
- Siempre póngase protección ocular con protección lateral con la marca de cumplimiento de la norma ANSI Z87.1. Con el cumplimiento de esta regla se reduce el riesgo de posibles lesiones oculares.
- Use gafas de seguridad – Use una careta o mascarilla contra el polvo si la operación genera mucho polvo. Siempre use gafas de seguridad con protección lateral. Los anteojos comunes sólo tienen lentes resistentes a los impactos. NO son anteojos de seguridad. Con el cumplimiento de esta regla se reduce el riesgo de posibles lesiones oculares.
- Protéjase los pulmones. Use una careta o mascarilla contra el polvo si la operación genera mucho polvo. Con el cumplimiento de esta regla se reduce el riesgo de lesiones serias.
- Vístase adecuadamente – No vista ropas holgadas ni joyas. Estas pueden engancharse en las piezas móviles. Se recomienda el uso de guantes de goma y un calzado resistente cuando se trabaja a la intemperie. Póngase pantalones largos de tela gruesa, mangas largas, botas y guantes. No se ponga pantalones cortos, ni ande descalzo. No se ponga joyas de ninguna clase. Recójase el cabello largo arriba del nivel de los hombros para evitar que se enrede en las piezas móviles.
- Mantenga alejados a los niños - Mantenga alejados a todos los circunstantes, niños y animales a una distancia mínima de 15 m (50 pies).

## ADVERTENCIA:

Permanezca alerta - Preste atención a lo que está haciendo. Use el sentido común. No use esta unidad cuando se encuentre fatigado, enfermo o bajo los efectos del alcohol, drogas o medicamentos. Un momento de distracción mientras opera la sierra puede resultar en lesiones personales graves.

- No utilice la unidad en condiciones deficientes de iluminación.
- Mantenga todas las partes del cuerpo alejadas de toda pieza en movimiento.
- No utilice herramientas motorizadas en atmósferas explosivas, como las existentes alrededor de líquidos, gases y polvos inflamables. Las herramientas eléctricas generan chispas que pueden encender el polvo y los vapores inflamables.
- Evite el contacto del cuerpo con objetos conectados a tierra, como las tuberías, radiadores, estufas y refrigeradores. Existe un mayor riesgo de descargas eléctricas si el cuerpo está en contacto con tierra.
- Evite los entornos de trabajo peligrosos - No exponga las partes del aparato o la cultivadora a la lluvia ni a condiciones de humedad. La introducción de agua en el aparato o la cultivadora aumenta el riesgo de descargas eléctricas.
- Use el aparato adecuado - No fuerce la herramienta. Utilice la herramienta adecuada para cada trabajo. La herramienta adecuada efectúa mejor y de manera más segura el trabajo, si además se maneja a la velocidad para la que está diseñada.
- No fuerce la herramienta – Es más eficaz y presenta menos riesgo de lesiones a la velocidad de trabajo para la que fue diseñada.
- No accione el equipo cuando esté descalzo o al llevar puestas sandalias o calzado liviano similar. Use calzado de seguridad que le proteja sus pies y mejore su postura en superficies resbaladizas.
- No estire el cuerpo para alcanzar mayor distancia - Mantenga los pies bien afirmados y el equilibrio. Se puede perder el equilibrio al tratar de alcanzar demasiado lejos.
- Evite un arranque accidental de la unidad - Asegúrese de que el gancho esté en la posición de aseguramiento o de apagado antes de instalar el paquete de baterías. Llevar las herramientas con el dedo en el gancho o instalar el paquete de baterías en la herramienta con el gancho puesto es causa común de accidentes.
- No utilice la herramienta si el gancho no enciende o no apaga. Una herramienta que no pueda controlarse con el gancho es peligrosa y debe repararse.
- Desconecte la batería - Desconecte la batería de la unidad antes de guardar, dar servicio, o cambiar accesorios como las púas. Tales medidas preventivas de seguridad reducen el riesgo de poner en marcha accidentalmente la herramienta.

# INSTRUCCIONES DE SEGURIDAD IMPORTANTES

- Sólo utilice piezas de repuesto idénticas y accesorios del fabricante original. El empleo de piezas diferentes puede causar un peligro o dañar el producto.
- Revise para ver si hay piezas dañadas - Antes de seguir utilizando esta herramienta, es necesario inspeccionar cuidadosamente toda pieza dañada para asegurarse de que funcione y desempeñe correctamente la función a la que está destinada. Verifique la alineación de las partes móviles, que no haya atoramiento de las mismas, que no haya piezas rotas, el montaje de las piezas y cualquier otra condición que pudiera afectar su funcionamiento. Una protección o alguna otra pieza que esté dañada la debe reparar o reemplazar un representante de servicio autorizado.
- Nunca haga funcionar la máquina sin los protectores adecuados u otros dispositivos protectores de seguridad en su lugar.
- Utilice solo las púas de repuesto del fabricante. No utilice ningún otro accesorio de corte, por ejemplo: alambre de metal, cuerdas, o elementos similares. Si instala púas de alguna otra marca en esta cultivadora, puede provocar lesiones personales graves.
- Nunca utilice la unidad si el protector de las aspas no está montado en su lugar y en buenas condiciones de funcionamiento.
- Mantenga un agarre firme en ambos mangos cuando cultive.
- Guarde en el interior los artefactos que no esté usando - Mientras no se esté utilizando, la cultivadora debe almacenarse en el interior, en un sitio seco y bajo llave, lejos del alcance de los niños.
- Inspeccione el área por cultivar. Retire todos los objetos (piedras, vidrios rotos, agujas, cables, sogas, etc.) que puedan ser arrojados por las púas.
- Tenga mucho cuidado al cultivar en terrenos duros. El equipo puede rebotar inesperadamente hacia arriba o saltar hacia adelante si las aspas chocan contra obstáculos enterrados como piedras grandes, raíces o tocones.
- Mantenga las rejillas de ventilación limpias y sin desechos para evitar que se recaliente el motor. Límpielas cada vez, después de usar la herramienta.
- Nunca utilice la cultivadora sin tener buena visibilidad y luz.
- Las aspas giratorias pueden provocar lesiones graves; no coloque las manos, los pies ni ninguna otra parte del cuerpo o la ropa cerca de las aspas giratorias o cualquier otra parte móvil. Las aspas comienzan a girar una vez que se presiona el botón de bloqueo y se aprieta el gatillo gancho. Las aspas seguirán girando hasta que suelte el gatillo gancho.
- No utilice la máquina sin ponerse ropa exterior adecuada. Evite ponerse ropa holgada o joyas que pudieran resultar atrapadas en las piezas móviles de la máquina o en el motor de la misma.
- No ponga las manos ni los pies cerca o bajo las aspas.
- Consulte siempre el manual del operador para obtener detalles importantes en caso de tener que guardar la cultivadora durante un período prolongado.
- No utilice la unidad cerca de cables eléctricos o telefónicos, o tubería subterráneos, ni de mangueras. Si tiene dudas, comuníquese con la compañía de servicios públicos o de teléfonos para localizar las líneas de servicio subterráneas.
- Si la unidad le pega a un objeto extraño, apague el motor, desconecte el paquete de baterías, inspeccione a fondo la máquina para ver si tiene algún daño, y repare éste antes de volver a arrancar y utilizar la máquina.
- Si la cultivadora se enciende y vibra de forma anormal o hace mucho ruido, detenga el motor y haga una verificación de inmediato para buscar la causa. El ruido anormal generalmente indica un problema.
- Apague el motor y desconecte el paquete de baterías antes de desatascar las aspas y de efectuar labores de reparación, ajuste o inspección.
- No sobrepase la capacidad de la máquina cultivando a demasiada profundidad en una sola pasada o a una velocidad demasiado rápida.
- Permanezca alerta. Ponga atención a lo que hace. Aplique el sentido común. No utilice la cultivadora cuando esté cansado.
- Tenga presente que el equipo puede rebotar hacia arriba inesperadamente o saltar hacia adelante si las aspas tocan obstáculos enterrados como piedras grandes, raíces o cepas de árboles.
- No utilice ningún aditamento o accesorio que no recomiende el fabricante del producto.
- Nunca utilice el equipo en pendientes.
- Tenga suma precaución al tirar de la máquina hacia usted.
- Arranque el motor cuidadosamente de conformidad con las instrucciones, en la posición normal de manejo de la unidad, y con los pies lejos de las aspas. No fuerce la cultivadora. Será más eficaz y presentará menos riesgo de lesiones a la velocidad operativa para la que fue diseñada.
- Dé mantenimiento esmerado a la cultivadora. Mantenga limpias las aspas para maximizar su eficacia y reducir el riesgo de lesiones. Siga las instrucciones correspondientes al cambio y lubricación de los accesorios. Inspeccione las púas periódicamente y, si están dañadas, reemplácelas. Mantenga los mangos secos, limpios y libres de grasa y lubricante.
- Nunca use una manguera, agua ni otros líquidos para limpiar o enjuagar la cultivadora. Los líquidos corrosivos, el agua, los fertilizantes y los productos químicos utilizados con las cultivadoras pueden ingresar a la unidad o al compartimiento de la batería y dañar los componentes eléctricos o la batería, lo que podría resultar en un corto circuito, mayor riesgo de incendio y lesiones personales.

# INSTRUCCIONES DE SEGURIDAD IMPORTANTES




graves. Retire la acumulación de pasto y hojas alrededor de la carcasa de la cultivadora o debajo de la plataforma de la cultivadora. Limpie la cultivadora con un trapo seco de manera ocasional.

- Inspeccione las piezas dañadas. Antes de seguir utilizando esta cultivadora, es necesario inspeccionar cuidadosamente toda aquella protección o pieza que se encuentre dañada para determinar si funcionará correctamente y desempeñará la función para la que está destinada. Verifique la alineación de las partes móviles y que las mismas no se atoren, verifique también el montaje de las piezas y que no haya piezas rotas, así como cualquier otra condición que pudiera afectar su funcionamiento. Cualquier protección o pieza que esté dañada debe ser adecuadamente reparada o reemplazada en un centro de servicio autorizado, a menos que se indique otra cosa en este manual.
- Si el aparato de mano no está funcionando adecuadamente, se dejó caer, se dañó, se dejó a la intemperie, o se dejó caer dentro del agua, regrésela al centro de servicio autorizado.
- Apague la unidad y desconecte el suministro de corriente cuando no esté en uso. Traslade la unidad con el motor de púas apagado.
- Guarde la unidad desenchufada y fuera del alcance de los niños.
- No cuelgue la unidad de modo que el gatillo del gancho quede presionado.
- Las herramientas de baterías no se necesitan conectar a una toma de corriente; por lo tanto, siempre están en condiciones de funcionamiento. Esté consciente de los posibles peligros cuando no esté usando la herramienta de baterías o cuando esté cambiando los accesorios de la misma. Con el cumplimiento de esta regla se reduce el riesgo de una descarga eléctrica, incendio o lesión corporal seria.
- No cargue herramientas de baterías en lugares mojados o húmedos. Con el cumplimiento de esta regla se reduce el riesgo de una descarga eléctrica.
- No use aparatos accionados por baterías en la lluvia.
- Quite o desconecte la batería antes de proporcionarle servicio, realizarle una limpieza o quitar material del aparato para el cuidado del jardín.
- Usar este producto únicamente con la baterías y el cargador indicados en el folleto de la herramienta/aparato/paquete de baterías/cargador complementario 988000-842.
- No deseche el paquete de baterías en el fuego. Los paquetes de baterías pueden estallar. Verifique los códigos de la localidad para conocer posibles instrucciones especiales para desecharlas.
- No abra ni dañe el paquete de baterías. Los electrolitos liberados son corrosivos y pueden causar daños en los ojos o la piel. Puede ser tóxico si se ingiere.
- No coloque herramientas de baterías ni las baterías mismas cerca del fuego o del calor. De esta manera se reduce el riesgo de explosiones y de lesiones.
- Las paquets de baterías pueden explotar en presencia de una fuente de inflamación, como una luz guía. Para reducir el riesgo de lesiones corporales serias, nunca use un producto inalámbrico en presencia de llamas expuestas. La explosión de una pila puede lanzar fragmentos y compuestos químicos. Si ha quedado expuesto a la explosión de una pila, lávese de inmediato con agua.
- No aplaste, deje caer o dañe la batería. Nunca utilice una batería o cargador que se ha caído, aplastado, recibido un golpe contundente o ha sido dañado de alguna manera. Las baterías dañadas pueden sufrir explosiones. Deseche de inmediato toda pila que haya sufrido una caída o cualquier daño.
- Tenga cuidado cuando maneje baterías a fin de no realizar un cortocircuito en la batería con materiales conductores como anillos, brazaletes y llaves. La batería o el conductor pueden recalentarse y provocar quemaduras.
- Para obtener resultados óptimos, debe cargar la herramienta de baterías en un lugar donde la temperatura esté entre 50 °F y 100°F. No guarde la herramienta a la intemperie ni en el interior de vehículos.
- En condiciones extremas de uso o temperatura las baterías pueden emanar líquido. Si el líquido llega a tocarle la piel, lávese de inmediato con agua y jabón. Si le entra líquido en los ojos, láveselos con agua limpia por lo menos 10 minutos, y después busque de inmediato atención médica. Con el cumplimiento de esta regla se reduce el riesgo de lesiones corporales serias.
- No utilice un paquete de baterías o un artefacto que esté dañado o modificado. Las baterías dañadas o modificadas pueden tener un funcionamiento impredecible que provoque incendios, explosiones o riesgo de lesiones.
- Cuando no esté usando la batería, manténgala alejada de objetos metálicos tales como: clips, monedas, llaves, clavos, tornillos y otros objetos metálicos pequeños que puedan establecer una conexión entre ambos terminales. Al establecer una conexión directa entre los dos terminales se puede causar chispas, quemaduras o incendios.
- No exponga el paquete de baterías o el artefacto al fuego o a temperaturas excesivas. La exposición al fuego o a temperatura sobre los 130 °C (265 °F) puede provocar explosiones.
- Tenga mucho cuidado cuando cruce superficies de grava. Manténgase alerta por si se presentan peligros o tráfico ocultos.
- Guarde estas instrucciones. Consúltelas con frecuencia y empléelas para instruir a otras personas que puedan utilizar esta herramienta. Si presta a alguien esta herramienta, facilítele también las instrucciones.












# SÍMBOLOS

Las siguientes palabras de señalización y sus significados tienen el objeto de explicar los niveles de riesgo relacionados con este producto.

SÍMBOLO	SEÑAL	SIGNIFICADO
	<b>PELIGRO:</b>	Indica una situación peligrosa, la cual, si no se evita, causará la muerte o lesiones serias.
	<b>ADVERTENCIA:</b>	Indica una situación peligrosa, la cual, si no se evita, podría causar la muerte o lesiones serias.
	<b>PRECAUCIÓN:</b>	Indica una situación peligrosa, la cual, si no se evita, podría causar lesiones menores o leves.
	<b>AVISO:</b>	(Sin el símbolo de alerta de seguridad) Indica la información que se considera importante, pero no relacionada con lesiones potenciales (por ej. en relación a daños a la propiedad).

Es posible que se empleen en este producto algunos de los siguientes símbolos. Le suplicamos estudiarlos y aprender su significado. Una correcta interpretación de estos símbolos le permitirá utilizar mejor y de manera más segura el producto.

SÍMBOLO	NOMBRE	DENOMINACIÓN/EXPLICACIÓN
	Alerta de seguridad	Indica un peligro posible de lesiones personales.
	Lea manual del operador	Para reducir el riesgo de lesiones, el usuario debe leer y comprender el manual del operador antes de usar este producto.
	Protección ocular	Siempre póngase protección ocular con protección lateral con la marca de cumplimiento de la norma ANSI Z87.1.
	Alerta de condiciones húmedas	No exponga la batería, el compartimento de la batería o componentes electrónicos a la lluvia, el agua o líquidos. No exponga la unidad a la lluvia ni la use en lugares húmedos.
	Mantenga alejadas a las personas presentes	Mantenga a los circunstantes a una distancia mínima de 15 m (50 pies).
	Peligro de corte	Mantenga los pies y las manos lejos de las púas oscilantes.
	Peligro de corte	Mantenga los pies y las manos lejos de las púas oscilantes.
	Electricidad	Se considera que este producto tiene voltaje peligroso.
	Símbolo de reciclado	Este producto utiliza baterías de iones de litio (Li-ion). Es posible que algunas leyes municipales, estatales o federales prohíban desechar las baterías en la basura normal. Consulte a las autoridades reguladoras de desechos para obtener información en relación con las alternativas de reciclado y desecho disponibles.
==	Corriente continua	Tipo o característica de corriente
V	Volts	Voltaje

# CARACTERÍSTICAS

## ESPECIFICACIONES DEL PRODUCTO

Motor\* ..... 80 V c.c.  
Cantidad de púas ..... 4  
Capacidad de ancho ..... 457,20 mm

Capacidad de profundidad ..... 203,2 mm (8 pulg.)  
Dirección de las ruedas ..... Hacia adelante y reversa

\*Este producto requiere dos baterías de 40 V para su funcionamiento.

## FAMILIARÍCESE CON LA CULTIVADORA

Vea la figura 1.

Para usar este producto con la debida seguridad se debe comprender la información indicada en la producto misma y en este manual, y se debe comprender también el trabajo que intenta realizar. Antes de usar este producto, familiarícese con todas las características de funcionamiento y normas de seguridad del mismo.

## TAPA DE LA BATERÍA

La tapa de la batería protege el puerto de la batería de la humedad y la suciedad.

## MOTORS SIN ESCOBILLAS

Este producto tiene dos motores sin escobillas que maximizan la potencia y el rendimiento, así como el tiempo de funcionamiento de las baterías.

## BARRA PARACHOQUES

La barra parachoques protege la parte delantera de la cultivadora cuando está en uso y también se puede utilizar como mango para transportar la herramienta.

## PALANCA DE CONTROL DE VELOCIDAD DE AVANCE

Permite al usuario configurar la dirección y la velocidad máxima para la función de autopropulsión.

## CUATRO PUERTOS DE BATERÍA ACTIVOS

Este producto tiene cuatro puertos de batería activos, un par de dos puertos a la izquierda (PAR A) y un par de dos puertos a la derecha (PAR B). Para usar la cultivadora, debe haber al menos dos baterías de 40 V, ya sea en el lado izquierdo (PAR B) o en el lado derecho (PAR A). Para lograr un rendimiento óptimo, se recomienda instalar cuatro baterías de 40 V y 4 Ah o más.

## BOTÓN DE ARRANQUE Y PALANCA DE BARRENA

El botón de arranque y la palanca de la barrena se encuentran en el panel de control. Presione el botón de arranque y luego active la palanca de la barrena para encender el motor y la barrena. Suelte la palanca de la barrena para detener el motor.

**NOTA:** El motor y las púas también arrancarán si primero acciona la palanca y luego presiona el botón de arranque.

## LLAVE DE ARRANQUE

Para que la cultivadora arranque, la llave de arranque debe estar insertada y el indicador debe apuntar hacia un par de dos baterías cargadas.

# ARMADO

## DESEMPAQUETADO

Este producto requiere armarse.

- Extraiga cuidadosamente de la caja la herramienta y los accesorios. Asegúrese de que estén presentes todos los artículos enumerados en la **Lista de empaquetado**.

### **ADVERTENCIA:**

No utilice este producto si alguna pieza incluida en la **Lista de empaquetado** ya está ensamblada al producto cuando lo desempaqueta. El fabricante no ensambla las piezas de esta lista en el producto. Éstas deben ser instaladas por el usuario. El uso de un producto que puede haber sido ensamblado de forma inadecuada podría causar lesiones personales graves.

- Inspeccione cuidadosamente la herramienta para asegurarse de que no haya sufrido ninguna rotura o daño durante el transporte.
- No deseche el material de empaquetado sin haber inspeccionado cuidadosamente la herramienta y haberla utilizado satisfactoriamente.
- Si hay piezas dañadas o faltantes, le suplicamos llamar al 1-800-525-2579, donde le brindaremos asistencia.

# ARMADO

## LISTA DE EMPAQUETADO

Cultivadora

Mango superior con tornillería

Rueda (2)

Mango con barra parachoques con tornillería

Tanque de lastre con tornillería

Paneles laterales con tornillería

Llave de dos extremos

Llave de Torx (T25)

Guía de referencia rápida

Manual del operador

### **ADVERTENCIA:**

Si hay piezas dañadas o faltantes, no utilice este producto sin haber reemplazado todas las piezas. Usar este producto con partes dañadas o faltantes puede causar lesiones serias al operador.

### **ADVERTENCIA:**

No intente modificar este producto ni hacer accesorios no recomendados para el mismo. Cualquier alteración o modificación constituye maltrato y puede causar una condición peligrosa, y como consecuencia posibles lesiones serias.

### **ADVERTENCIA:**

Para evitar un arranque accidental que pueda causar lesiones personales graves, retire siempre la batería y la llave de arranque del producto al ensamblar piezas.

### **AVISO:**

Para evitar un arranque accidental que pueda causar lesiones personales graves, retire siempre la batería y la llave de arranque del producto al ensamblar piezas.

## INSTALACIÓN DEL MANGO SUPERIOR

Vea la figuras 2 y 3.

- Gire el mango inferior hasta que descansa sobre el protector de púas, luego deslice el mango superior en el mango inferior.

**NOTA:** El mango superior debe calzar dentro de las ranuras en el mango inferior.

- Alinee los orificios en el mango inferior con los orificios de la barra, y fíjelos con pernos y tuercas. Apriete las perillas firmemente.
- Asegure el conector eléctrico del conjunto de cables atornillando los terminales hasta que queden levemente ajustados con la tuerca integrada en el conector del motor.

## INSTALACIÓN DEL MANGO CON BARRA PARACHOQUES

Vea la figura 4.

- Coloque el mango con barra parachoques en la parte delantera de la herramienta.
- Alinee los orificios en el soporte de la barra parachoques con los orificios roscados en la parte delantera de la herramienta.
- Instale pernos y arandelas en los agujeros. Apriete firmemente con la llave provista.

## INSTALACIÓN DEL TANQUE DE LASTRE

Vea la figura 5.

- Retire con cuidado la tapa del tanque de lastre.
- Retire los pernos, las arandelas y las tuercas mariposa del tanque de lastre.
- Coloque el tanque de lastre en el mango con barra parachoques.
- Alinee los orificios del tanque de lastre con los orificios del mango con barra parachoques.
- Inserte los pernos en los orificios en la barra protectora e instale las arandelas y las tuercas mariposa en el interior del tanque. Apriete firmemente.
- Vuelva a instalar la tapa del tanque.

## COLOCACIÓN DE LAS RUEDAS

Vea la figura 6.

Se suministran ruedas para ayudar a mover la unidad hacia y desde el área de trabajo.

**Para instalar:**

- Instale las arandelas en los ejes.
- Deslice una rueda sobre el eje con la válvula de aire en el exterior.

### **ADVERTENCIA:**

Asegúrese de que las ruedas estén instaladas para la autopropulsión durante el funcionamiento normal. Si lo hace, se asegurará de que las ruedas proporcionen una resistencia adecuada a la fuerza generada durante la rotación de las púas. Si las ruedas están instaladas en la posición incorrecta, la rotación de las púas podría hacer que la unidad se mueva inesperadamente, lo que podría resultar en daños materiales o lesiones personales graves.

- Gire la rueda y alinee el orificio de la rueda con el orificio más alejado del extremo del eje.
  - Para el funcionamiento normal y la autopropulsión, la rueda debe quedar bloqueada en el orificio más alejado del extremo del eje.
  - Para operaciones de larga distancia o para transportar la unidad con una batería descargada, la rueda debe bloquearse en el orificio más cercano al extremo del eje.

# ARMADO

- Inserte el pasador de fijación en el eje.
- Envuelva el candado de alambre del pasador de seguridad alrededor del eje y asegúrelo a la parte inferior del pasador de seguridad.
- Repita el proceso con la segunda rueda.

## INSTALACIÓN DE LOS PANELES LATERALES

Vea las figuras 7 y 8.

- Coloque el panel lateral como se muestra.
- Deslice el tornillo más largo en el orificio en el extremo estrecho del panel lateral.
- Coloque un espaciador en el tornillo, luego instálelo en el orificio más cercano a la rueda y apriételo.
- Ajuste la posición del panel lateral hasta que el orificio superior del extremo ancho del panel esté alineado con el orificio más cercano a la parte trasera de la herramienta.
- Instale la perilla de bloqueo en el orificio más cercano a la parte trasera de la herramienta.
- Ajuste firmemente. No lo ajuste demasiado.
- Repita el proceso del otro lado para instalar el segundo panel lateral.

### Para subir y bajar un panel lateral:

- Afloje la perilla de fijación.
- Suba o baje el panel lateral a una de las cuatro posiciones.
- Apriete la perilla para asegurar el panel lateral en su lugar.

**NOTA:** Gire los paneles laterales hacia arriba para evitar atascos y maximizar la profundidad de labranza o hacia abajo para evitar dañar objetos cercanos y soplar la suciedad.

## INSTALACIÓN DE LA BARRA DE PROFUNDIDAD

Vea la figura 9.

- Retire el mango y el perno de la barra de profundidad.
- Levante la solapa de suciedad de la parte trasera de la herramienta para acceder a la parte inferior del soporte de la barra de profundidad.
- Inserte la barra de profundidad en la parte inferior del soporte con la placa limitadora mirando hacia la parte posterior de la herramienta.
- Tire la perilla de fijación con resorte hacia fuera y continúe insertando la barra de profundidad hasta que se vean varios orificios sobre la parte superior del soporte.
- Suelte la perilla de fijación y mueva la barra de profundidad hacia arriba o hacia abajo hasta que la perilla encaje en uno de los orificios.
- Instale el mango y el perno en el orificio superior de la barra de profundidad.

**NOTA:** Cuando se ve desde la parte posterior de la herramienta, el mango de la barra de profundidad estará en el lado izquierdo de la herramienta.

- Para reposicionar la barra de profundidad, tire la perilla de fijación hacia fuera y mueva la barra de profundidad hacia arriba o hacia abajo.

**NOTA:** Las posiciones altas son ideales para la labranza profunda de suelos blandos, las posiciones medias son adecuadas para el cultivo y la aireación en general, y las posiciones bajas son ideales para cultivos poco profundos y suelos duros.

# FUNCIONAMIENTO

### ADVERTENCIA:

No permita que su familiarización con este producto lo vuelva descuidado. Tenga presente que un descuido de un instante es suficiente para causar una lesión grave.

### ADVERTENCIA:

Siempre póngase protección ocular con la marca de cumplimiento de la norma ANSI Z87.1 junto con protección para los oídos. La inobservancia de esta advertencia puede permitir que los objetos lanzados hacia los ojos y otros provoque lesiones graves.

### ADVERTENCIA:

No utilice ningún accesorio o accesorio no recomendado por el fabricante de este producto. El empleo de accesorios o accesorios no recomendados podría causar lesiones serias.

# FUNCIONAMIENTO

## AVISO:

Antes de cada uso, inspeccione todo el producto para detectar partes dañadas, faltantes o sueltas, como tornillos, tuercas, pernos, tapas, etc. Apriete firmemente todos los sujetadores y las tapas y no accione este producto hasta que todas las partes faltantes o dañadas sean reemplazadas. Póngase en contacto con el servicio al cliente o con un centro de servicio autorizado para obtener ayuda.

## USOS

Este producto puede emplearse para los fines enumerados abajo:

- Mullido de la tierra del jardín como preparación para plantar
- Cultivo superficial para eliminar maleza

## INSTALACIÓN/DESMONTAR DEL PAQUETE DE BATERÍAS

Vea las figuras 10 y 11.

**Para instalar las baterías, siga estos pasos:**

- Abra la tapa de las baterías.
- Alinee las costillas realizadas del paquete de baterías con las ranuras del puerto de la batería e instale el paquete de baterías en la cultivadora.



## ADVERTENCIA:

Asegúrese de que el pestillo en la parte inferior del paquete de baterías entre adecuadamente en su lugar y que el paquete de baterías esté bien colocado y asegurado en el puerto de batería de la cultivadora antes de que encenderla. Una falla en colocar el paquete de baterías de forma segura puede causar que el paquete de baterías se desprenda y termine provocando lesiones corporales serias.

- Cierre la tapa de las baterías y asegúrese de que esté bien sujeto.

**NOTA:** Este producto tiene cuatro puertos de batería activos, dos puertos a la izquierda (PAR A) y dos puertos a la derecha (PAR B). Para usar la cultivadora, debe haber al menos dos baterías de 40 V, ya sea en el lado izquierdo (PAR B) o en el lado derecho (PAR A). Para lograr un rendimiento óptimo, se recomienda instalar cuatro baterías de 40 V de 4 Ah o más. Si solo instala una batería en el lado izquierdo o derecho, esa batería no proporcionará energía suficiente a la unidad.

**Para retirar las baterías, siga estos pasos:**

- Abra la tapa de las baterías.
- Presione y mantenga presionado el botón de la traba de las baterías de la parte inferior del paquete de baterías.
- Retire de la cultivadora el paquete de baterías.
- Cierre la tapa de las baterías y asegúrese de que esté bien sujeto.

Para ver las instrucciones de carga completas, consulte los manuales del operador del paquete de baterías RYOBI y los modelos de cargador.



## ADVERTENCIA:

Para evitar un arranque accidental que pueda resultar en lesiones personales graves, retire siempre la batería y la llave de arranque cuando mueva o transporte la cultivadora.

## ENCENDIDO Y APAGADO DE LA CULTIVADORA

Vea la figura 12



## ADVERTENCIA:

Asegúrese de que las ruedas estén instaladas para la autopropulsión durante el funcionamiento normal. Si lo hace, se asegurará de que las ruedas proporcionen una resistencia adecuada a la fuerza generada durante la rotación de las púas. Si las ruedas están instaladas en la posición incorrecta, la rotación de las púas podría hacer que la unidad se mueva inesperadamente, lo que podría resultar en daños materiales o lesiones personales graves.

## AVISO:

Use guantes resistentes durante su uso.

- Abra la tapa de las baterías.
- Instale las baterías como se describió anteriormente.
- Inserte la llave de arranque en la ranura que está frente a los puertos de la batería.

**NOTA:** La llave de arranque se puede insertar con la flecha orientada a los dos puertos de la izquierda (PAR A) o los dos puertos de la derecha (PAR B). Para encender la unidad, la flecha debe estar orientada hacia un par de baterías cargadas.

- Cierre la tapa de las baterías.
- Levante la parte trasera de la unidad para que las púas y la barra de profundidad no toquen el suelo.
- Mantenga presionado el botón de arranque. Tire de la palanca hacia el mango y suelte el botón de arranque cuando arranque la motor y las púas.
- **NOTA:** El motor y las púas también arrancarán si primero acciona la palanca y luego presiona el botón de arranque.
- Para detener la unidad, suelte la palanca.

## USO DEL MODO DE TRANSPORTE

Vea la figura 13.

El modo de transporte se puede utilizar para llevar la cultivadora de un lugar a otro sin activar las púas.

- Levante la parte trasera de la unidad para que las púas y la barra de profundidad no toquen el suelo.

# FUNCIONAMIENTO

- Mantenga presionado el botón de modo de transporte. Tire de la palanca hacia el mango y suelte el botón de arranque cuando arranque la motor.

**NOTA:** En el modo de transporte, el motor arrancará pero las púas no girarán.

- Empuje la palanca de control de velocidad hacia adelante para aumentar la velocidad y hacia atrás para disminuir la velocidad.
- Para ir en reversa, empuje la palanca de control de velocidad completamente hacia atrás.

## PALANCA DE CONTROL DE VELOCIDAD

Vea la figura 14.

Utilice la palanca de control de velocidad para cambiar la velocidad y elegir la dirección de movimiento. Para usar la palanca de control de velocidad:

- Encienda la cultivadora.
- Empuje la palanca de control de velocidad hacia adelante para aumentar la velocidad.
- Empuje la palanca de control de velocidad hacia atrás para disminuir la velocidad.
- Para ir en reversa, empuje la palanca de control de velocidad completamente hacia atrás.

**NOTA:** La rotación de las púas se detiene cuando la palanca está en la posición de reversa.

## PREPARACIÓN DEL LECHO DE TIERRA PARA LAS SEMILLAS

Vea las figuras 15 y 16.

### ADVERTENCIA:

No acerque las manos, los pies ni ninguna otra parte del cuerpo o la ropa a las púas giratorias ni a ninguna otra parte móvil. Las púas comienzan a girar una vez que se presiona el botón de arranque y se tira de la palanca. Las púas continúan girando hasta que se suelte el gatillo gancho. El contacto podría ocasionar una lesión grave.

### ADVERTENCIA:

Para evitar lesiones personales, nunca desplace el accesorio para cultivadora mientras el motor esté en marcha. Mueva el accesorio para cultivadora al área de trabajo antes de poner en marcha el motor.

### ADVERTENCIA:

Después de períodos extendidos de uso, se puede calentar la caja de engranajes del accesorio para cultivadora. Para evitar quemaduras, no toque la caja de engranajes hasta que haya tenido tiempo de enfriarse.

### ADVERTENCIA:

Mantenga siempre la cultivadora alejada del cuerpo, manteniendo siempre la distancia. Cualquier contacto con las púas durante el funcionamiento puede ocasionar lesiones graves.

La cultivadora puede utilizarse para mullir la tierra del jardín y preparar un lecho de tierra para plantar semillas. Planifique para dejar suficiente espacio entre las hileras de semillas con el fin de permitir el cultivo con máquina una vez crecidas las plantas.

- Lleve la herramienta al área de trabajo.  
**NOTA:** Si lo desea, puede mover la máquina en modo de transporte.
- Ajuste la posición de la barra de profundidad para un cultivo poco profundo o profundo (consulte la sección de **instalación de la barra de profundidad**).  
**NOTA:** Según el tipo de suelo que desee cultivar y las condiciones del suelo en ese momento, la posición apropiada de la barra de profundidad variará.
- Párese detrás de la unidad, con las púas de ésta sobre el suelo y teniendo el área de trabajo limpia y carente de obstrucciones.
- Encienda la cultivadora.
- Para usar la unidad hacia adelante, mueva gradualmente la palanca de control de velocidad hacia adelante. Para ir en reversa, mueva la palanca completamente hacia atrás.  
**NOTA:** La rotación de las púas se detiene cuando la palanca está en la posición de reversa.

**NOTA:** Es posible que se requieran varias pasadas por el mismo trayecto para lograr la profundidad deseada. No intente cultivar a demasiada profundidad en la primera pasada. Si la máquina salta o se tambalea, deje que la unidad avance a un ritmo ligeramente más rápido, ajuste la posición de la barra de profundidad o agregue arena al tanque de lastre.

Para cultivar con mayor profundidad, tire de la cultivadora hacia usted de forma continua y déjela que se vaya hacia adelante.

Si la máquina se queda y se hunde en un lugar, levántela suavemente de los mangos. El movimiento hacia adelante de las ruedas empujará la máquina hacia adelante y vencerá la fuerza de la rotación de las púas. Si está muy dura la tierra, riéguela unos cuantos días antes de cultivarla.

Evite trabajar la tierra cuando esté mojada o húmeda. Después de una lluvia intensa, espere uno o dos días para dejar secar la tierra.

Al labrar en áreas o filas confinadas, gire los paneles laterales inferiores hacia abajo para evitar dañar objetos cercanos. Al labrar en condiciones secas, baje los paneles laterales para minimizar la cantidad de polvo.

# MANTENIMIENTO

## **ADVERTENCIA:**

Para evitar lesiones personales graves, retire siempre la batería y la llave de arranque del producto antes de inspeccionar, limpiar o realizar tareas de mantenimiento.

## **ADVERTENCIA:**

Siempre póngase protección ocular con protección lateral con la marca de cumplimiento de la norma ANSI Z87.1. Si no cumple esta advertencia, los objetos que salen despedidos pueden producirle lesiones serias en los ojos.

## **ADVERTENCIA:**

Al realizar tareas de servicio, utilice únicamente piezas de repuesto autorizadas. El uso de cualquier otra pieza puede ocasionar un peligro o dañar el producto.

## **AVISO:**

Inspeccione periódicamente todo el producto para detectar partes dañadas, faltantes o sueltas, como tornillos, tuercas, pernos, tapas, etc. Apriete firmemente todos los sujetadores y las tapas y no accione este producto hasta que todas las partes faltantes o dañadas sean reemplazadas. Póngase en contacto con el servicio al cliente o con un centro de servicio autorizado para obtener ayuda.

## **MANTENIMIENTO GENERAL**

Evite el empleo de solventes al limpiar piezas de plástico. La mayoría de los plásticos son susceptibles a diferentes tipos de solventes comerciales y pueden resultar dañados. Utilice paños limpios para eliminar la suciedad, el polvo, el aceite, la grasa, etc.

## **ADVERTENCIA:**

No permita en ningún momento que fluidos para frenos, gasolina, productos a base de petróleo, aceites penetrantes, etc., lleguen a tocar las piezas de plástico. Las sustancias químicas pueden dañar, debilitar o destruir el plástico, lo cual a su vez puede producir lesiones corporales serias.

## **LUBRICACIÓN**

Todos los cojinetes de este producto están lubricados con suficiente cantidad de aceite de alta calidad para toda la vida útil de la unidad en condiciones normales de funcionamiento. Por lo tanto, no se necesita lubricación adicional de los cojinetes.

## **RETIRER Y REEMPLAZAR LAS DIENTES**

*Vea la figura 17.*

## **ADVERTENCIA:**

Antes de usar el accesorio, asegúrese de que sea compatible y se ajuste correctamente. No utilice este accesorio si falta una pieza o está dañada. Si no se siente preparado para realizar alguna de las funciones que se describen en estas instrucciones, lleve la unidad a un centro de servicio cualificado.

## **ADVERTENCIA:**

Siempre protéjase las manos usando guantes gruesos y/o envolviendo los bordes de corte de el aspa con paños y otro material al realizar al instalar o retirar los dientes. Contacto con las dientes podría causar lesiones serias.

Con el usuario ubicado en la parte TRASERA de la cultivadora, el conjunto de la púa exterior izquierda está marcado con una "L". El conjunto de la púa interior derecha está marcado con una "R". Para el correcto funcionamiento de la unidad, las púas deben instalarse en la posición correcta. Dientes de repuesto, número de modelo ACTIL03.

- Desde la parte trasera de la herramienta, incline la unidad hacia adelante y levante la solapa de suciedad para acceder al eje de las púas.

**NOTA:** Si los paneles laterales están instalados, retírelos.

- Coloque los conjuntos de púas del eje de púas como se muestra.
- Gire los conjuntos de púas hasta que los orificios en los conjuntos estén alineados con los orificios en el eje de púas.

**NOTA:** Si los orificios no se alinean, es posible que los conjuntos de púas estén instalados en los lados incorrectos. Invierta la posición de los conjuntos de púas y verifique la alineación de los orificios.

- Inserte pasadores de fijación en los orificios de los conjuntos de púas y el eje. Asegúrelos con ganchos.

## **GUARDADO DE LA CULTIVADORA**

- Limpie toda la suciedad, pasto y demás materiales de toda la unidad.
- Limpie las púas con aceite o rocíelas con lubricante de silicón para impedir la oxidación de las mismas.
- No retire la tapa del motor.
- Pida piezas nuevas para reemplazar las que estén gastadas o rotas.
- Guarde la unidad en posición vertical, en un lugar limpio y seco.

# CORRECCIÓN DE PROBLEMAS

SI CON ESTAS SOLUCIONES NO SE RESUELVE EL PROBLEMA, COMUNÍQUESE CON EL CONCESIONARIO DE SERVICIO AUTORIZADO DE SU PREFERENCIA.

PROBLEMA	CAUSA POSIBLE	SOLUCIÓN
Las aspas no giran	Las púas están atascadas por suciedad o residuos.	Retire las baterías y la llave de arranque y luego elimine la obstrucción de las púas.
	Hay hojas de enredadera, césped u otra suciedad alrededor del eje de las aspas.	Retire las baterías y luego limpie el eje de las púas.
El motor no arranca al tirar de la palanca	El paquete de baterías no está fija.	Cargue el paquete de baterías.
	Las baterías no están en la orientación correcta (como mínimo un par).	Confirme la orientación de las baterías.
	La flecha de la llave de arranque no apunta a un par de baterías cargadas	Invierta la posición de la llave de arranque.
	El botón de arranque no está presionado.	Presione el botón de arranque.
El motor está encendido, pero las púas no giran.	El botón de arranque no está presionado o el modo de transporte está activado	Presione el botón de arranque y tire la palanca con la palanca de control de velocidad 3/4 hacia adelante.
Las aspas se detienen.	La unidad está sobrecargada.	Suelte el gancho y eleve las púas. Reinicie la cultivadora y baje lentamente las púas hasta su profundidad original.

**Este producto tiene una garantía limitada de cinco años para fines personales, familiares o domésticos (90 días para usos trabajo o comercial). Para obtener detalles sobre la garantía, diríjase a [www.ryobitools.com](http://www.ryobitools.com) o llame sin cargo al 1-800-525-2579.**







# OPERATOR'S MANUAL

MANUEL D'UTILISATION / MANUAL DEL OPERADOR

## REAR TINE TILLER

CULTIVATEUR DE DENTS ARRIÈRE

CULTIVADORA DE PÚAS TRASERA

**RY40702**

- **PARTS AND SERVICE:** Prior to requesting service or purchasing replacement parts, please obtain your item, manufacturing, and serial numbers from the product data plate.

**ITEM NO.\*** \_\_\_\_\_ **MANUFACTURING NO.** \_\_\_\_\_

**SERIAL NO.** \_\_\_\_\_

*\* Model/item number on product may have additional letters at the end. These letters designate manufacturing information and should be provided when calling for service.*

**HOW TO OBTAIN REPLACEMENT PARTS:** Replacement parts can be purchased online at [www.ryobitools.com](http://www.ryobitools.com) or by calling 1-800-525-2579. Replacement parts can also be obtained at one of our service centers.

**HOW TO LOCATE A SERVICE CENTER:** Service centers can be located online at [www.ryobitools.com](http://www.ryobitools.com) or by calling 1-800-525-2579.

**HOW TO OBTAIN CUSTOMER OR TECHNICAL SUPPORT:** To obtain customer or technical support please contact us at 1-800-525-2579.

RYOBI is a registered trademark of Ryobi Limited and is used pursuant to a license granted by Ryobi Limited.

- **PIÈCES ET SERVICE :** Avant de faire la demande de service ou l'achat de pièces de remplacement, veuillez obtenir le numéro d'article, le numéro de fabrication et le numéro de série à partir de la plaque de données du produit.

**NUMÉRO D'ARTICLE\*** \_\_\_\_\_ **NUMÉRO DE FABRICATION** \_\_\_\_\_

**NUMÉRO DE SÉRIE** \_\_\_\_\_

*\* Le numéro de modèle/article sur le produit peut contenir des lettres supplémentaires à la fin. Ces lettres désignent les informations du fabricant et doivent être fournies lors d'un appel de demande de service.*

**COMMENT OBTENIR LES PIÈCES DE REMPLACEMENT :** Les pièces de remplacement peuvent être achetées en ligne sur le site [www.ryobitools.com](http://www.ryobitools.com) ou par téléphone au 1-800-525-2579. Les pièces de remplacement peuvent être obtenues à un de nos centres de service.

**COMMENT TROUVER UN CENTRE DE SERVICE :** Les centres de service peuvent être localisés en ligne au [www.ryobitools.com](http://www.ryobitools.com) ou en téléphonant au 1-800-525-2579.

**COMMENT OBTENIR DE L'AIDE EN CONTACTANT LE SERVICE À LA CLIENTÈLE :** Pour contacter le service à la clientèle pour une question technique ou pour tout autre renseignement, veuillez nous téléphoner au 1-800-525-2579.

RYOBI est une marque déposée de Ryobi Limited et est utilisée en vertu d'une licence accordée par Ryobi Limited.

- **PIEZAS DE REPUESTO Y SERVICIO:** Antes de solicitar servicio técnico o comprar piezas de repuesto, obtenga su número de artículo, el número de fabricación y el número de serie de la placa de datos del producto.

**NÚMERO DE ARTÍCULO\*** \_\_\_\_\_ **NÚMERO DE FABRICACIÓN** \_\_\_\_\_

**NÚMERO DE SERIE** \_\_\_\_\_

*\* El número de modelo/artículo que figura en el producto podría tener letras adicionales al final. Estas designan información de fabricación y deben suministrarse cuando llame para obtener asistencia o servicio.*

**CÓMO OBTENER PIEZAS DE REPUESTO:** Las piezas de repuesto se pueden comprar en nuestro sitio en la red mundial, en la dirección [www.ryobitools.com](http://www.ryobitools.com) o llamando al 1-800-525-2579. Las piezas de repuesto también se pueden obtener en uno de nuestros centros de servicio.

**CÓMO LOCALIZAR UN CENTRO DE SERVICIO:** Puede encontrar los centros de servicio visitando nuestro sitio en la red mundial, en la dirección [www.ryobitools.com](http://www.ryobitools.com) or by calling 1-800-525-2579.

**CÓMO OBTENER SERVICIO O ASISTENCIA TÉCNICA AL CONSUMIDOR:** Para obtener servicio o asistencia técnica al consumidor, sírvase comunicarse con nosotros llamando al 1-800-525-2579.

RYOBI es una marca registrada de Ryobi Limited y se utiliza conforme a una licencia otorgada por Ryobi Limited.

**TTI OUTDOOR POWER EQUIPMENT, INC.**

P.O. Box 1288, Anderson, SC 29622 USA

1-800-525-2579 • [www.ryobitools.com](http://www.ryobitools.com)

998000881

5-27-22 (REV:03)