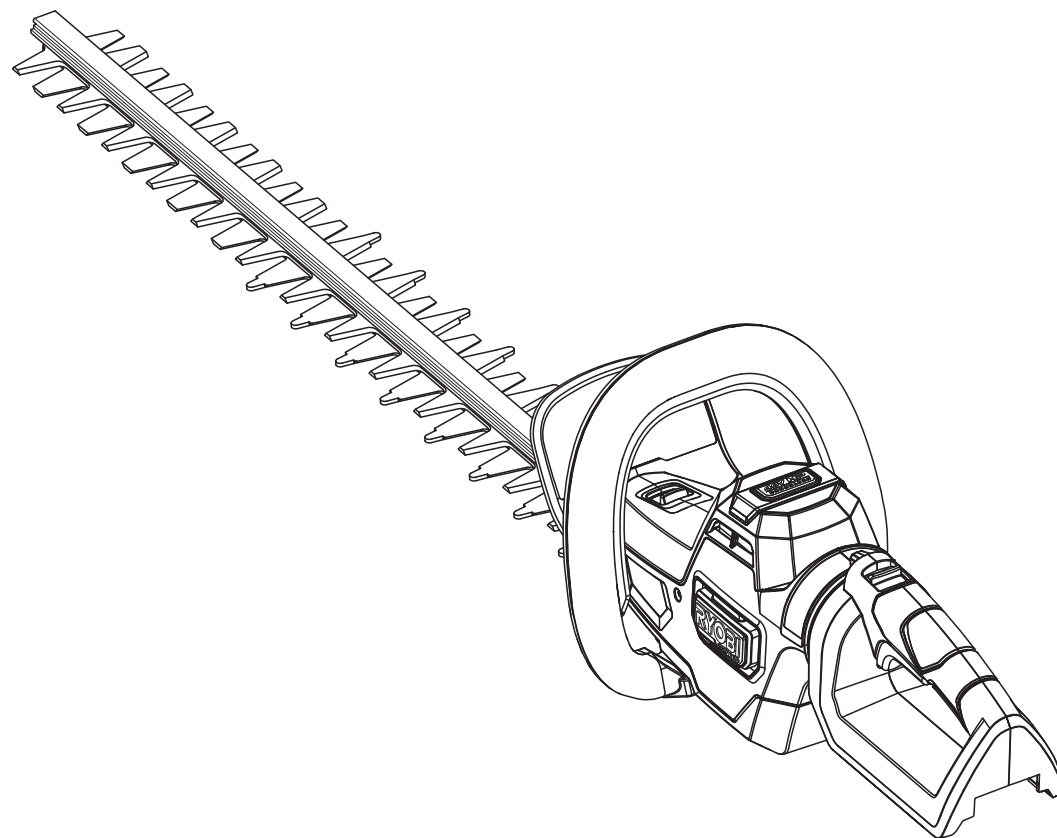


REPAIR SHEET

BRAND RYOBI		DESCRIPTION 40 Volt Hedge Trimmer
MODEL NO. RY40606VNM	MFG. NO. 108795001	

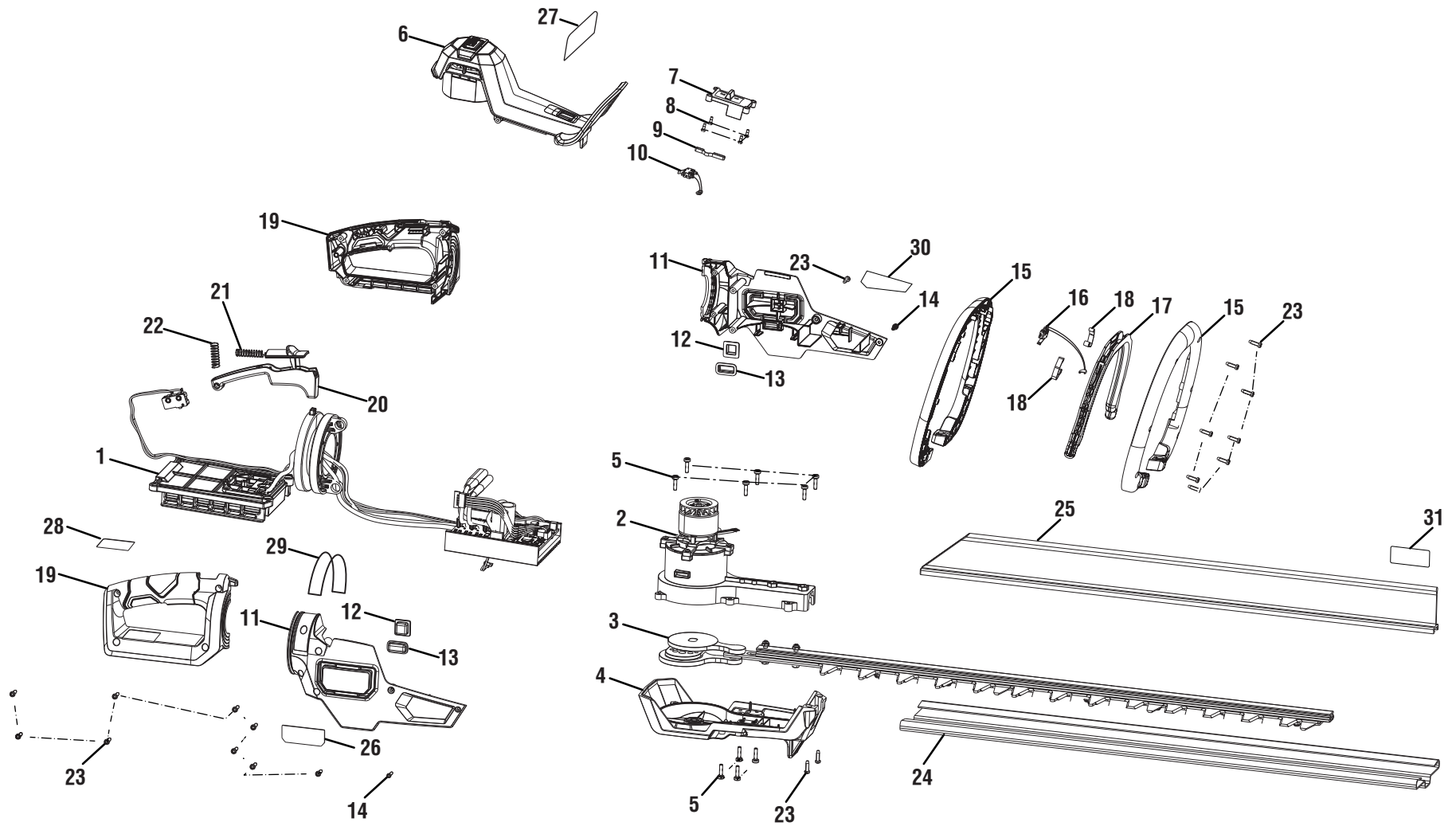


TTI OUTDOOR POWER EQUIPMENT, INC.

P.O. Box 1288, Anderson, SC 29622 ■ 1-800-525-2579 ■ www.ryobitools.com

4-8-22 (Rev:01)

The model number and manufacturing location will be found on a label attached to the product. Always mention this information in all communications regarding this product and when ordering parts.



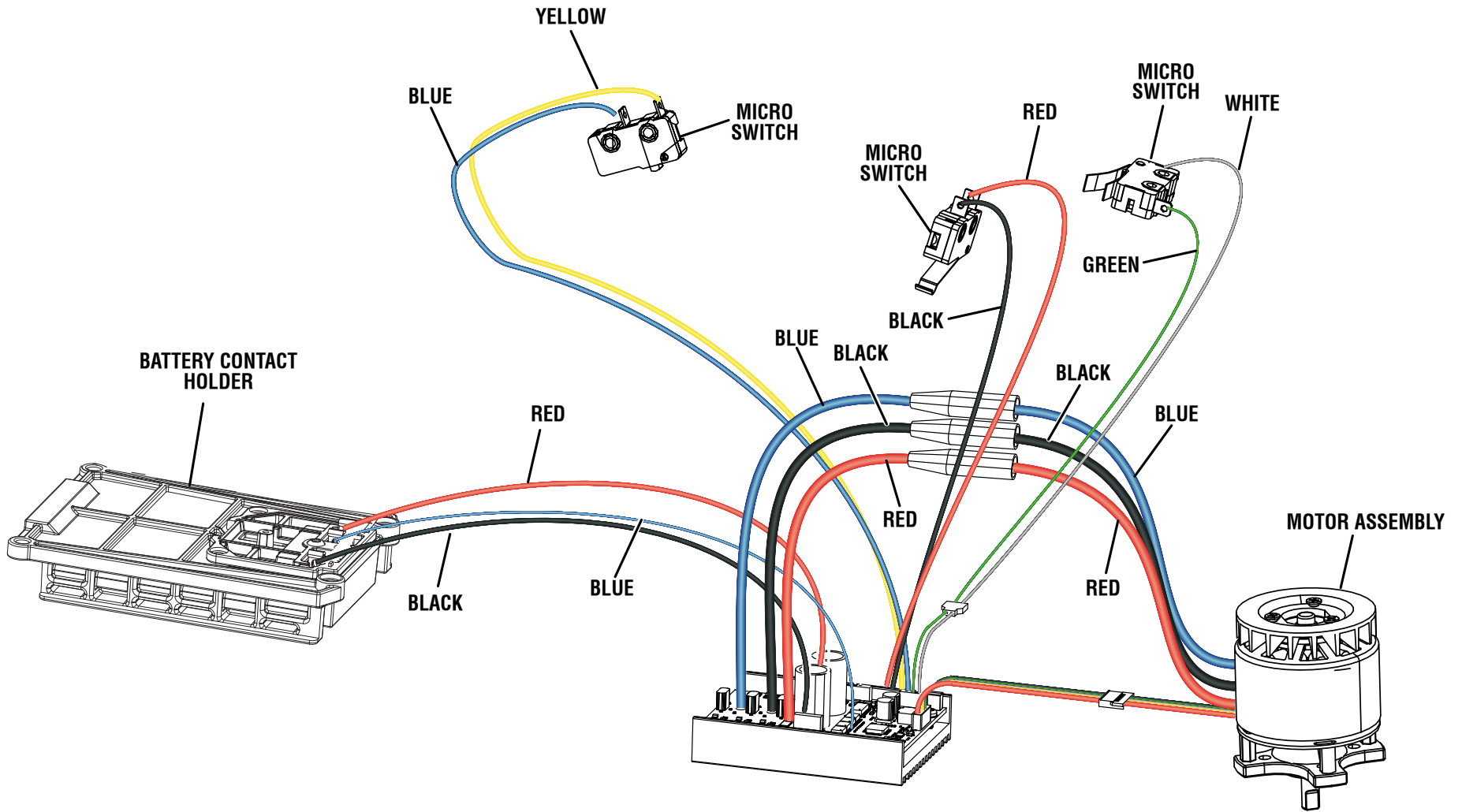


RY40606VNM

PARTS LIST

KEY NO.	PART NO.	DESCRIPTION	QTY.
1	319292001	Battery Foot and Rear Switch Assembly	1
2	319293001	Motor and Gear Box Assembly	1
3	205975001	Blade Assembly	1
4	205977001	Gearbox Cover Assembly	1
5	662175003	Screw (M4 x 15 mm, T25 Torx Pan Hd.)	10
6	205976001	Motor Cover Assembly (Inc Key No. 27)	1
7	319288001	Speed Button Assembly	1
8	660203001	Screw (M3 x 8 mm, Pan Hd.)	4
9	656849001	Spring Plate	1
10	319298001	Speed Switch Assembly	1
11	205974001	Motor Housing Assembly (Inc Key Nos. 26 &29-30)	1
12	566744001	Rubber Plate	2
13	566745001	Rubber Plate	2
14	660203087	Screw (M3 x 12 mm, Pan Hd.)	2
15	318558001	Front Handle Cover Assembly	1
16	319299001	Front Handle Switch Assembly	1
17	545441001	Front Handle Trigger	1

KEY NO.	PART NO.	DESCRIPTION	QTY.
18	639885001	Spring Plate	2
19	205977002	Rear Handle Assembly (Inc Key No. 28)	1
20	318556001	Trigger and Rotating Button Assembly	1
21	679055012	Spring	1
22	679055014	Spring	1
23	661817001	Screw (M4 x 13.5 mm, T15 Torx Pan Hd.)	20
24	535555001	Scabbard	1
25	205973001	Hedge Sweep Assembly (Inc Key No. 31)	1
26	941097088	Data Label	1
27	941097089	Icon/Danger/Warning Label	1
28	941097090	QR Label	1
29	941097091	Rotating Handle Label	1
30	941097092	Whisper Logo Label	1
31	941769001	Hedge Sweep Warning Label	1
	Not Shown:		
	998000682	Operator's Manual	



WIRING DIAGRAM