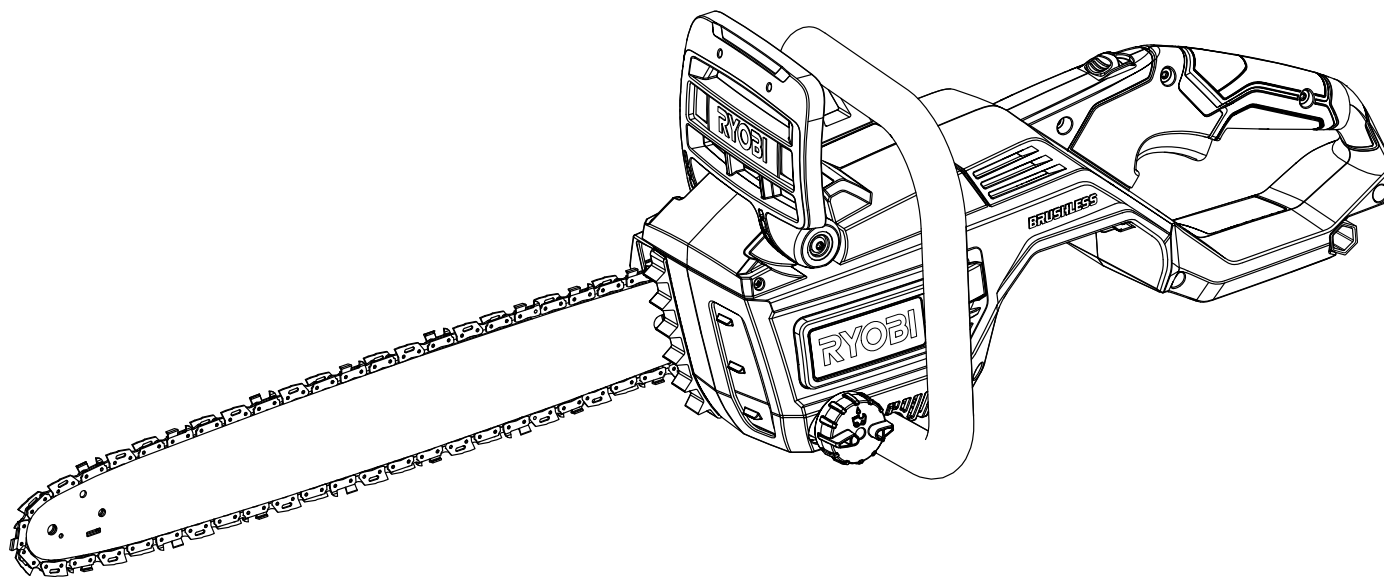


REPAIR SHEET

BRAND RYOBI		DESCRIPTION 40 Volt 18 in. Brushless Chain Saw
MODEL NO. RY40508	MFG. NO. 107404001	

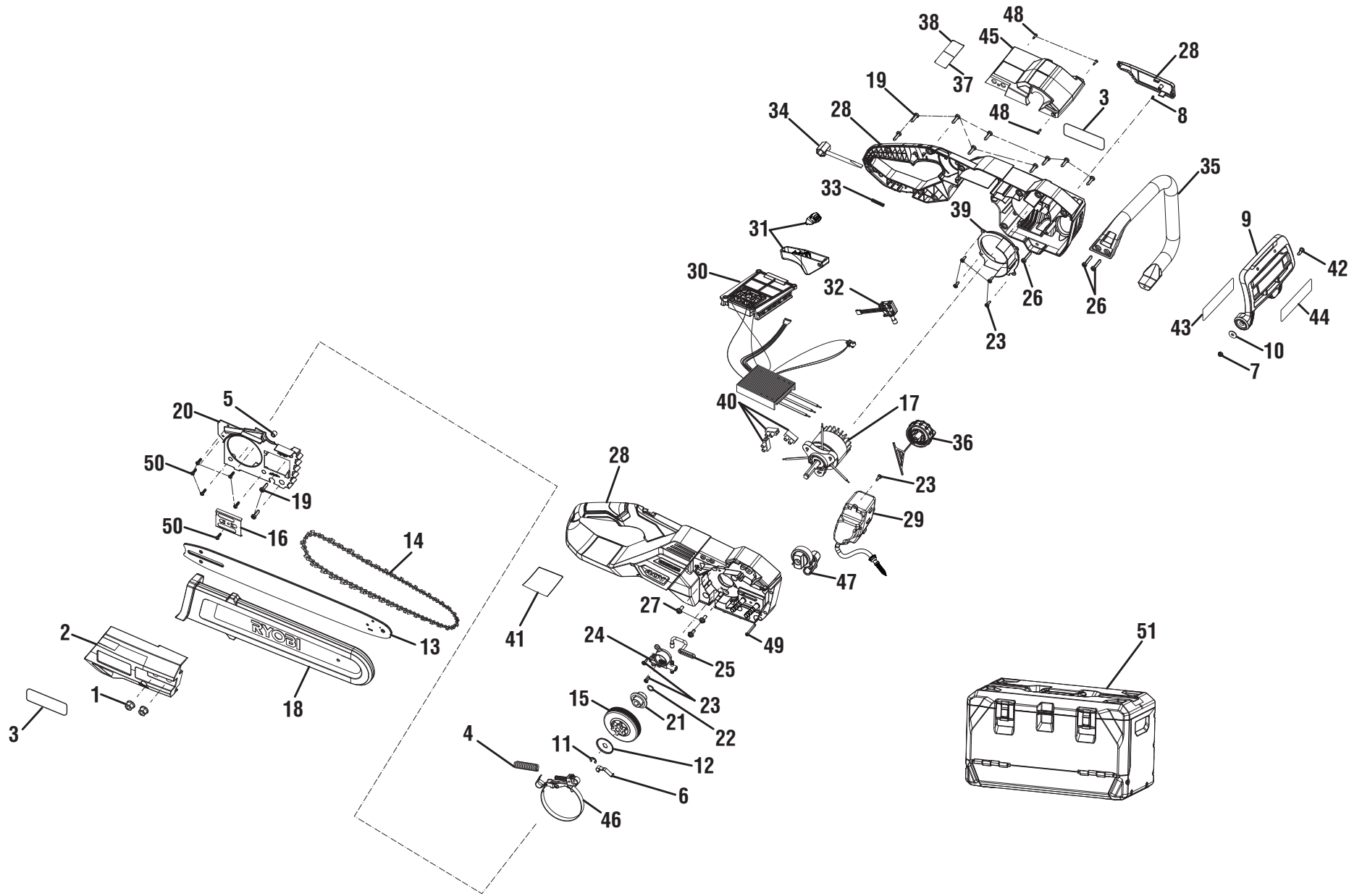


TECHTRONIC INDUSTRIES POWER EQUIPMENT

P.O. Box 1288, Anderson, SC 29622 ■ 1-800-525-2579 ■ www.ryobitools.com

10-9-20 (Rev:01)

The model number and manufacturing location will be found on a label attached to the product. Always mention this information in all communications regarding this product and when ordering parts.





RY40508

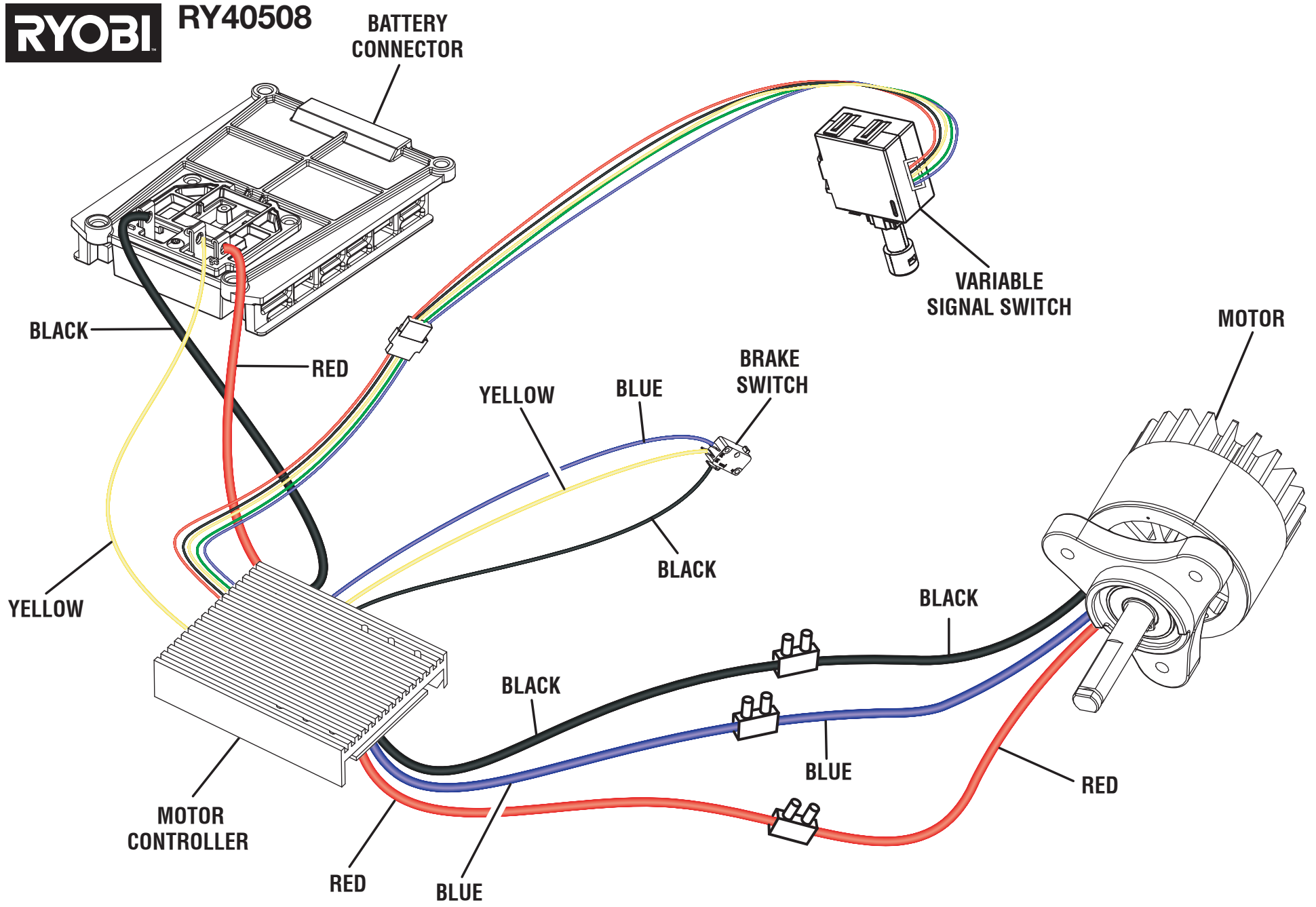
PARTS LIST

KEY NO.	PART NO.	DESCRIPTION	QTY.
1	678339003	Hex Nut (5/16-18)	2
2	317374001	Sprocket Cover Assembly (Inc. Key No. 3)	1
3	941588805	HP Logo Label	2
4	694415001	Spring	1
5	678602001	Bushing	1
6	678061001	Spring	1
7	670682002	Nut	1
8	660203001	Screw (M3 x 8 mm, Pan Hd.)	1
9	205442001	Guard Assembly (Inc. Key Nos. 43-44)	1
10	638988001	Washer	1
11	636159001	E-Ring	1
12	635367001	Cap Washer	1
13	317105001	Bar (18 in.)	1
14	682309001	Chain (18 in.)	1
15	612309002	Sprocket	1
16	658993001	Guide Bar Plate Assembly	1
17	742666001	Motor	1
18	580798001	Scabbard	1
19	662051001	Screw (M5 x 18 mm, T20 Torx Pan Hd.)	11
20	539604001	Cover Housing	1
21	537485001	Oil Pump Drive	1
22	658198001	Washer	1
23	660608001	Screw (M4 x 12 mm, T-20 Torx Pan Hd.)	7
24	309516002	Oil Pump	1
25	565069001	Oil Output Tube	1
26	662053002	Screw (M5 x 25 mm, T20 Torx Pan Hd.)	3
27	662052002	Screw (M5 x 8 mm, T25 Torx Pan Hd.)	3

KEY NO.	PART NO.	DESCRIPTION	QTY.
28	205443001	Housing Assembly (Inc. Key Nos. 3 & 41)	1
29	205300001	Oil Tank Assembly	1
30	315960001	Motor Controller, Switch & Battery Connector Assembly	1
31	205297001	Switch Trigger and Lock Out Button Assembly	1
32	760652001	Switch	1
33	694143001	Compression Spring	1
34	612330001	Wrench	1
35	539603001	Front Handle	1
36	306888005	Oil Tank Cap Assembly	1
37	941588811	Icon Label (Right)	1
38	941588810	Icon Label (Left)	1
39	539608001	Volute Cover	1
40	900876003	Terminal Block	3
41	941588804	Data Label	1
42	662113001	Screw (M5 x 15 mm, T25 Torx Hd.)	1
43	941588809	Warning Label	1
44	941588806	40V Brushless Logo Label	1
45	205444001	Top Cover Assembly (Inc. Key Nos. 37-38)	1
46	205298001	Brake Band Assembly	1
47	205299001	Chain Brake Assembly	1
48	660005006	Screw (M3 x 10 mm)	3
49	660208104	Screw (M4 x 30 mm)	1
50	662083002	Screw (M4 x 12 mm, T20 Torx Pan Hd.)	6
51	317108001	Carry Box	1
	Not Shown:		
	998000358	Operator's Manual	1



RY40508



WIRING DIAGRAM