



REGISTER YOUR TOOLS
<http://register.ryobitools.com>
 1-800-860-4050

OPERATOR'S MANUAL
MANUEL D'UTILISATION
MANUAL DEL OPERADOR

40 VOLT LEAF VACUUM
ASPIRATEUR À FEUILLES DE 40 V
ASPIRADORA DE HOJAS DE 40 V
RY40405/RY40405VN/RY40405VNM

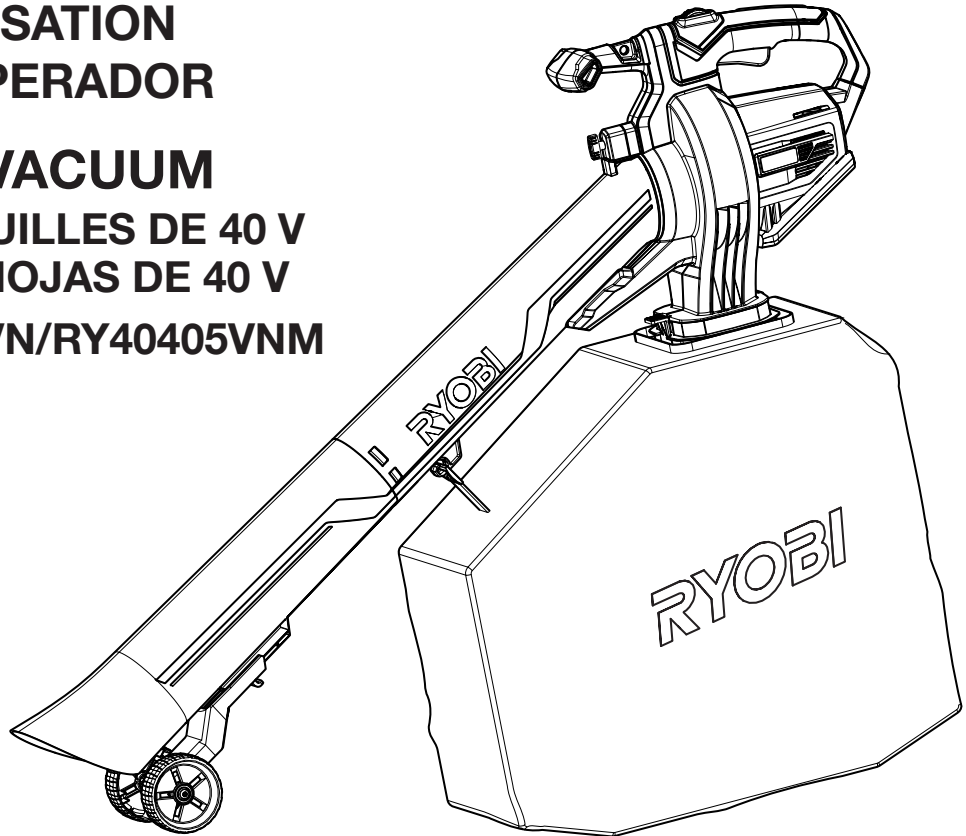


TABLE OF CONTENTS

- Important Safety Instructions..... 2-4
- Symbols 5-6
- Features 6
- Assembly 6-7
- Operation 8-9
- Maintenance 10
- Parts Ordering/Service..... Back Page

TABLE DES MATIÈRES

- Règles de sécurité importantes 2-4
- Symboles 5-6
- Caractéristiques 6
- Assemblage 6-7
- Utilisation 8-9
- Entretien 10
- Commande de pièces/
réparation Page arrière

ÍNDICE DE CONTENIDO

- Instrucciones importantes
de seguridad 2-4
- Símbolos 5-6
- Características 6
- Armado 7-8
- Funcionamiento 8-9
- Mantenimiento 10
- Pedidos de piezas/
servicio Pág. posterior

⚠ WARNING: To reduce the risk of injury, the user must read and understand the operator's manual before using this product.

⚠ AVERTISSEMENT : Pour réduire les risques de blessures, l'utilisateur doit lire et veiller à bien comprendre le manuel d'utilisation avant d'employer ce produit.

⚠ ADVERTENCIA: Para reducir el riesgo de lesiones, el usuario debe leer y comprender el manual del operador antes de usar este producto.

**SAVE THIS MANUAL FOR
FUTURE REFERENCE**

**CONSERVER CE MANUEL
POUR FUTURE RÉFÉRENCE**

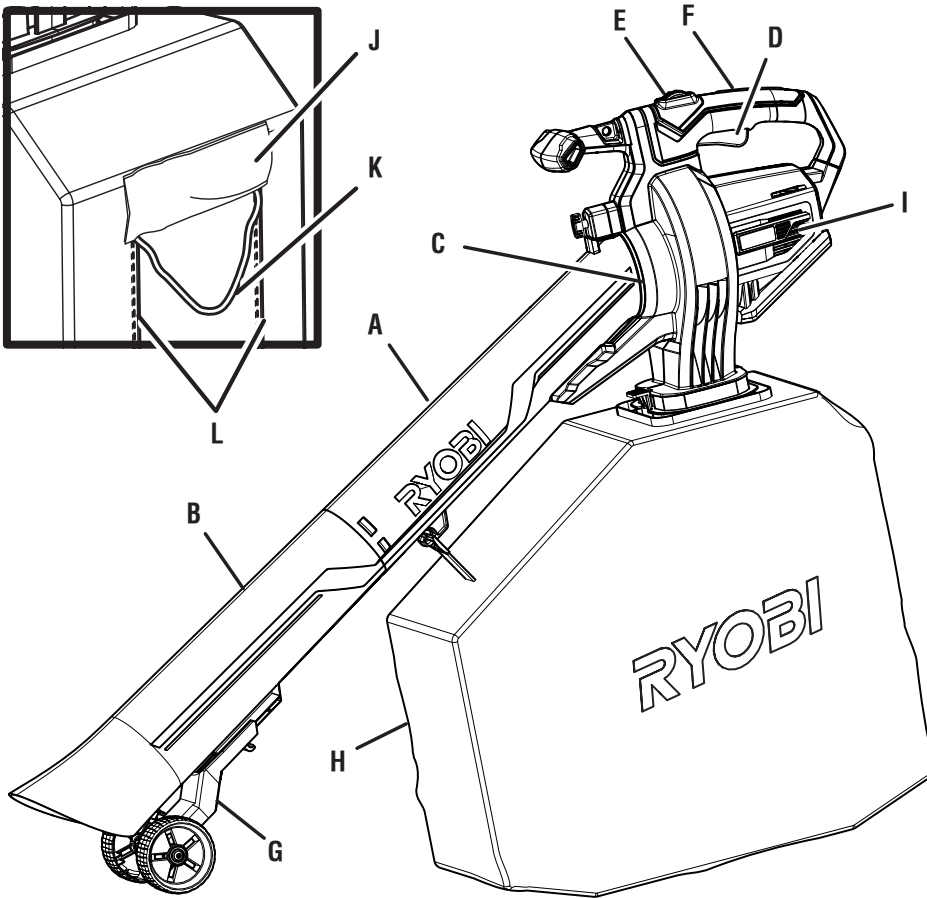
**GUARDE ESTE MANUAL
PARA FUTURAS CONSULTAS**

See this fold-out section for all of the figures referenced in the operator's manual.

Consulter l'encart à volets afin d'examiner toutes les figures mentionnées dans le manuel d'utilisation.

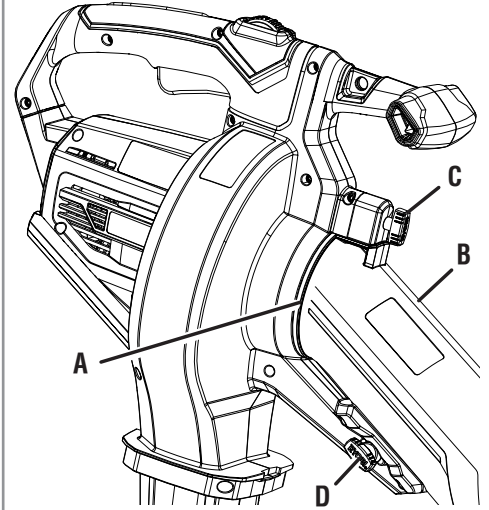
Consulte esta sección desplegable para ver todas las figuras a las que se hace referencia en el manual del operador.

Fig. 1



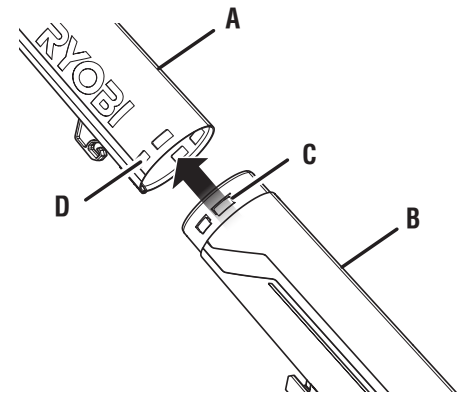
- A - Upper vacuum tube (tube d'aspiration supérieur, tubo superior de la aspiradora)
- B - Lower vacuum tube (tube inférieur d'aspirateur, tubo inferior de la aspiradora)
- C - Vacuum housing outlet (sortie du logement d'aspiration, salida del alojamiento d'aspiración)
- D - Switch trigger (gâchette, gatillo)
- E - Variable speed dial (cadran de vitesse variable, selector de velocidad variable)
- F - Handle (poignée, mango)
- G - Wheel assembly (ensemble de roues, conjunto de las ruedas)
- H - Leaf collection bag (sac de collecte de feuilles, bolsa de recogida de hojas)
- I - Air inlet port (orifice d'entrée d'air, conexión de entrada de aire)
- J - Flap (rabat, solapa)
- K - Zipper pull (tirette de la fermeture à glissière, franja para tirar del cierre)
- L - Dual zipper (double fermeture à glissière, cierre doble)

Fig. 2



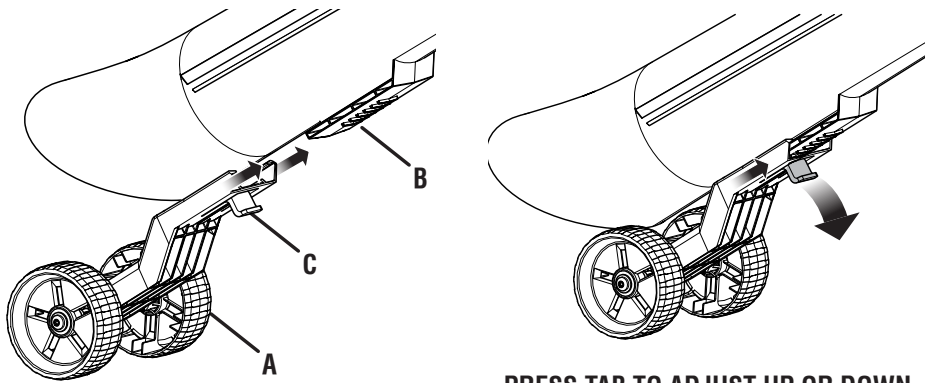
- A - Vacuum housing outlet (prise de boîtier de soufflante, salida del alojamiento de la sopladora)
- B - Upper vacuum tube (tube de soufflante, tubo de la aspiradora)
- C - Thumbscrew (vis à oreilles, tornillo de mariposa)
- D - Locking screw (vis de verrouillage, tornillo de bloqueo)

Fig. 3



- A - Upper vacuum tube (tube d'aspiration supérieur, tubo superior de la aspiradora)
- B - Lower vacuum tube (tube inférieur d'aspirateur, tubo inferior de la aspiradora)
- C - Tab(s) [languette(s), orejeta(s)]
- D - Slot(s) [rainure(s), ranura(s)]

Fig. 4

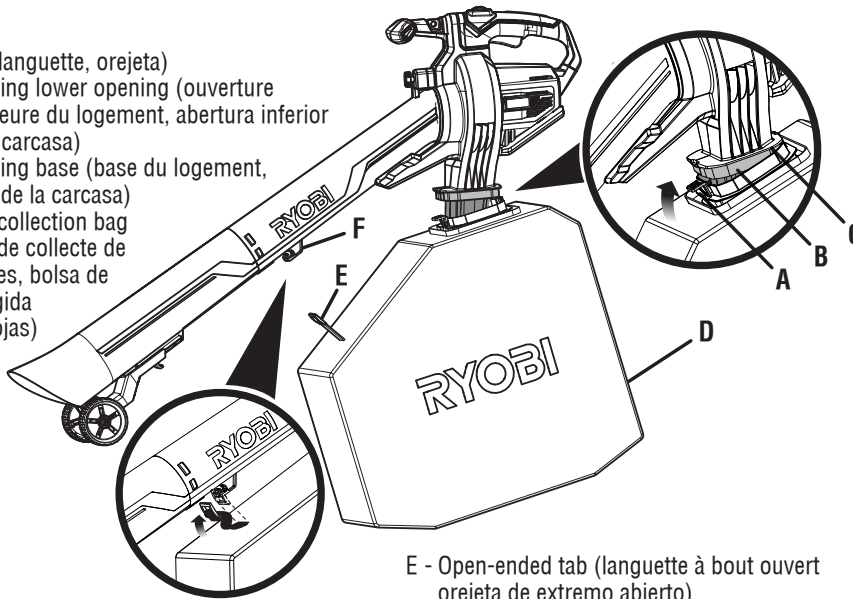


- A - Wheel assembly (ensemble de roues, conjunto de las ruedas)
- B - Bracket (support, soporte)
- C - Tab (languette, orejeta)

PRESS TAB TO ADJUST UP OR DOWN
APPUYER SUR LA LANGUETTE POUR
AJUSTER VER LE HAUT OU LE BAS
PRESIONE LA OREJETA PARA AJUSTAR
HACIA ARRIBA O HACIA ABAJO

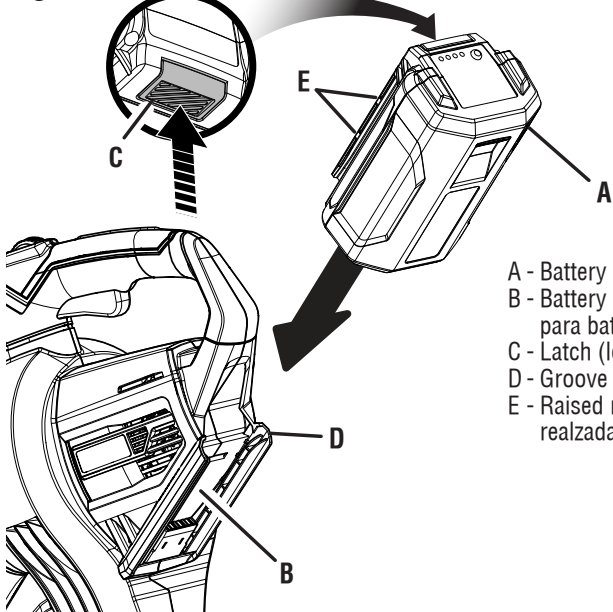
Fig. 5

- A - Tab (languette, orejeta)
- B - Housing lower opening (ouverture inférieure du logement, abertura inferior de la carcasa)
- C - Housing base (base du logement, base de la carcasa)
- D - Leaf collection bag (sac de collecte de feuilles, bolsa de recogida de hojas)



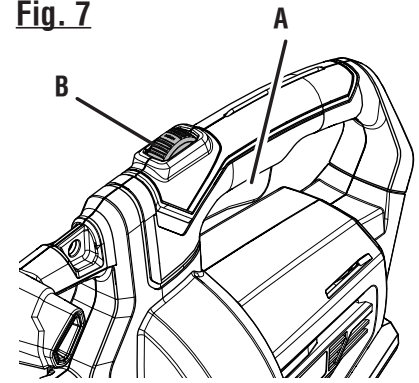
- E - Open-ended tab (languette à bout ouvert orejeta de extremo abierto)
- F - Hook (crochet, gancho)

Fig. 6



- A - Battery pack (bloc-pile, paquete de batería)
- B - Battery port (logement de pile, receptáculo para batería)
- C - Latch (loquet, pestillo)
- D - Groove (rainure, ranura)
- E - Raised rib (épaulements surélevés, costillas realzadas)

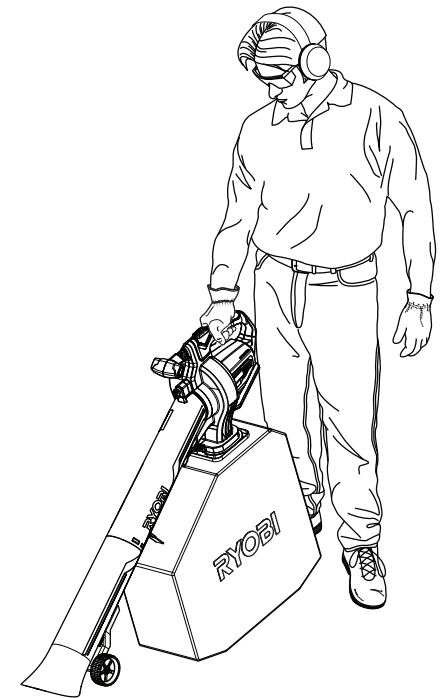
Fig. 7



- A - Switch trigger (gâchette, gatillo)
- B - Variable speed dial (cadran de vitesse variable, selector de velocidad variable)

Fig. 8

PROPER OPERATING POSITION
BONNE POSITION DE TRAVAIL
POSICIÓN CORRECTA PARA EL MANEJO
DE LA HERRAMIENTA



IMPORTANT SAFETY INSTRUCTIONS

When using an electrical appliance, basic precautions should always be followed, including the following:

WARNING!

READ AND UNDERSTAND ALL INSTRUCTIONS BEFORE USING THIS LEAF VACUUM. To reduce the risk of electric shock, fire and/or serious personal injury.

- **Know your leaf vacuum.** Read operator's manual carefully. Learn its applications and limitations, as well as the specific potential hazards related to this leaf vacuum. Following this rule will reduce the risk of electric shock, fire, or serious injury.
- **Do not permit children to use leaf vacuum.** It is not a toy. Close attention is necessary when used near children.
- **Use only accessories that are recommended by the manufacturer for your model described in this manual.** Accessories that may be suitable for one leaf vacuum may create a risk of injury when used on another leaf vacuum. Use only as described in this manual.
- **Do not handle charger, including charger plug, and charger terminals with wet hands.**
- **Do not put any object into openings. Do not use with any opening blocked; keep free of dust, lint, hair, and anything that may reduce air flow.**
- **Do not charge the unit outdoors.**
- **Keep hair, loose clothing, fingers, and all parts of body away from openings and moving parts.**
- **Turn off all controls before removing battery.**
- **Use extra care when cleaning on stairs or steps.**
- **Do not operate leaf vacuums in explosive atmospheres, such as in the presence of flammable liquids, gases, or dust.** Battery products create sparks which may ignite the dust or fumes.
- **Keep your work area clean and well lit.** Cluttered benches and dark areas invite accidents.
- **Keep bystanders, children, and visitors at least 50 ft. away while operating a leaf vacuum.** Distractions can cause you to lose control.
- **A battery operated leaf vacuum with integral batteries or a separate battery pack must be recharged only with the specified charger for the battery.** A charger that may be suitable for one type of battery may create a risk of fire when used with another battery.
- **Use battery operated leaf vacuum only with specifically designated battery pack.** Use of any other batteries may create a risk of fire.
- **Use only with charger listed.** For use with 40V lithium-ion battery packs, see tool/appliance/battery pack/charger correlation supplement 988000-842.
- **Do not operate charger with a damaged cord or plug, which could cause shorting and electric shock.** If damaged, have the charger replaced by an authorized service center.
- **If appliance is not working as it should, has been dropped, damaged, left outdoors, or dropped into water, return it to a service center.**
- **Stay alert, watch what you are doing and use common sense when operating a power leaf vacuum. Do not use leaf vacuum while tired, upset, or under the influence of drugs, alcohol, or medication.** A moment of inattention while operating leaf vacuums may result in serious personal injury.
- **Secure long hair above shoulder level to prevent entanglement in moving parts.**
- **Avoid accidental starting. Be sure switch is in the locked or off position before inserting battery pack.** Carrying leaf vacuums with your finger on the switch or inserting the battery pack into a leaf vacuum with the switch on invites accidents.
- **Use safety equipment. Always wear eye protection.** Dust mask, non-skid safety shoes, hard hat, or hearing protection must be used for appropriate conditions.
- **Do not wear loose clothing or jewelry. Contain long hair.** Loose clothes, jewelry, or long hair can be drawn into air vents.
- **Do not use on a ladder, rooftop, tree, or other unstable support.** Stable footing on a solid surface enables better control of the leaf vacuum in unexpected situations.
- **Do not use leaf vacuum if switch does not turn it on or off.** A leaf vacuum that cannot be controlled with the switch is dangerous and must be repaired.
- **Disconnect battery pack from leaf vacuum or place the switch in the locked or off position before making any adjustments, changing accessories, or storing the leaf vacuum.** Such preventive safety measures reduce the risk of starting the leaf vacuum accidentally.
- **When battery pack is not in use, keep it away from other metal objects like: paper clips, coins, keys, nails, screws, or other small metal objects that can make a connection from one terminal to another.** Shorting the battery terminals together may cause sparks, burns, or a fire.
- **Check for misalignment or binding of moving parts, breakage of parts, and any other condition that may affect the leaf vacuum's operation. If damaged, have the leaf vacuum serviced before using.** Many accidents are caused by poorly maintained leaf vacuums.

IMPORTANT SAFETY INSTRUCTIONS

- **Keep the leaf vacuum and its handle dry, clean and free from oil and grease.** Always use a clean cloth when cleaning. Never use brake fluids, gasoline, petroleum-based products, or any strong solvents to clean your leaf vacuum. Following this rule will reduce the risk of loss of control and deterioration of the enclosure plastic.
- **Always wear safety glasses with side shields.** Everyday glasses have only impact resistant lenses. They are NOT safety glasses. Following this rule will reduce the risk of eye injury.
- **Always wear eye protection with side shields marked to comply with ANSI Z87.1 along with hearing protection when operating this equipment.**
- **Protect your lungs. Wear a face or dust mask if the operation is dusty.** Following this rule will reduce the risk of serious personal injury.
- **Protect your hearing. Wear hearing protection during extended periods of operation.** Following this rule will reduce the risk of serious personal injury.
- **Battery leaf vacuums do not have to be plugged into an electrical outlet; therefore, they are always in operating condition. Be aware of possible hazards when not using your battery powered leaf vacuum or when changing accessories.** Following this rule will reduce the risk of electric shock, fire, or serious personal injury.
- **Under abusive conditions, liquid may be ejected from the battery; avoid contact.** If contact accidentally occurs, flush with water. If liquid contacts eyes, additionally seek medical help. Liquid ejected from the battery may cause irritation or burns.
- **Do not use a battery pack or appliance that is damaged or modified.** Damaged or modified batteries may exhibit unpredictable behavior resulting in fire, explosion or risk of injury.
- **Do not expose a battery pack or appliance to fire or excessive temperature.** Exposure to fire or temperature above 265°F may cause explosion.
- **Follow all charging instructions and do not charge the battery pack or appliance outside of the temperature range specified in the instructions.** Charging improperly or at temperatures outside of the specified range may damage the battery and increase the risk of fire.
- **Do not modify or attempt to repair the appliance or the battery pack except as indicated in the instructions for use and care.**
- **Do not place battery powered leaf vacuums or their batteries near fire or heat.** This will reduce the risk of explosion and possibly injury.
- **Don't expose leaf vacuums to rain or wet conditions.** Water entering a leaf vacuum will increase the risk of electric shock.
- **Wear heavy long pants, long sleeves, boots, and gloves.** Avoid loose garments or jewelry that could get caught in moving parts of the machine or its motor.
- **Do not operate the equipment while barefoot or when wearing sandals or similar lightweight footwear.** Wear protective footwear that will protect your feet and improve your footing on slippery surfaces.
- **Keep firm footing and balance. Do not overreach.** Overreaching can result in loss of balance.
- **Check the work area before each use.** Remove all objects such as rocks, broken glass, nails, wire, or string which can be thrown or become entangled in the machine.
- **Do not point the leaf vacuum nozzle in the direction of people or pets.**
- **Never run the unit without the proper equipment attached.** Always ensure the leaf vacuum tubes are installed. Use of an improperly assembled unit could result in serious personal injury.
- **When not in use, leaf vacuum should be stored indoors in a dry, locked up place—out of the reach of children.**
- **Do not hang unit so that the switch trigger is depressed.**
- **Keep all bystanders, children, and pets at least 50 ft. away.**
- **Do not dispose of a severely damaged or worn out battery pack or this leaf vacuum by incinerating.** The battery can explode in fire.
- **Leaf vacuum service must be performed only by qualified repair personnel.** Service or maintenance performed by unqualified personnel may result in a risk of injury.
- Stop the motor, wait until all moving parts come to a complete stop, and remove the battery pack before cleaning or performing any maintenance.
- **Never use water or any liquids to clean or rinse off your product and do not expose the product to rain or wet conditions. Store indoors in a dry area.** Corrosive liquids, water, and chemicals can enter the product's electronic components and/or battery compartment and damage electronic components and/or the battery pack, which can result in a short circuit, increased risk of fire, and serious personal injury. Remove any buildup of dirt and debris by wiping the product clean with a dry cloth occasionally.
- **When servicing a leaf vacuum, use only identical replacement parts.** Follow instructions in the Maintenance section of this manual. Use of unauthorized parts or failure to follow Maintenance Instructions may create a risk of shock or injury.




IMPORTANT SAFETY INSTRUCTIONS

- **Never use leaf vacuum near fires, fireplaces, hot ashes, barbecue pits, etc.** Use near fires or ashes can spread fires and result in serious injury and/or property damage.
- **Never use leaf vacuum to vacuum chemicals, fertilizers, or any other toxic substances.** Vacuuming these substances could result in serious injury to the operator or bystanders.
- **Never place leaf vacuum on any surface, except a hard, clean surface when motor is running.** Gravel, sand, and other debris can be picked up by the air inlet and thrown at the operator or bystanders, causing possible serious injuries.
- **For household use only.**
- Remove the battery pack from the tool when not in use, before servicing, and before storing the tool. Such preventative safety measures reduce the risk of starting the tool accidentally.
- Do not operate in poor lighting.
- Do not pick up flammable or combustible liquids such as gasoline or use in areas where they may be present.
- Do not pick up anything that is burning or smoking such as cigarette matches or hot ashes.
- Do not put any object into openings. Do not use with any opening blocked; keep free of dust, lint, hair, and anything that may reduce air flow.
- Do not point the leaf vacuum nozzle in the direction of people or pets.
- Always install the vacuum tubes and vacuum bag. Make sure the vacuum bag is completely zipped when the unit is running to avoid flying debris.
- Do not operate vacuum without vacuum bag installed; flying debris could cause serious injury. Always close vacuum bag completely before operating.
- Rotating impeller blades can cause severe injury. Always stop the motor, remove the battery, and ensure impeller blades have stopped rotating before opening the vacuum door or installing/changing tubes. Do not put hands or any other object into the vacuum tubes while they are installed on the unit. Failure to follow these instructions can result in serious personal injury.
- Avoid situations that could catch the vacuum bag on fire. Do not operate near an open flame. Do not vacuum warm ash from fireplaces, barbecue pits, brush piles, etc. Do not vacuum discarded cigars or cigarettes unless the cinders are completely cool.
- Maintain tool with care. Keep fan area clean for best and safest performance. Follow instructions for proper maintenance.
- Do not attempt to clear clogs from tool without first removing the battery pack.
- **Save these instructions.** Refer to them frequently and use them to instruct others who may use this power tool. If you loan someone this power tool, loan them these instructions also.












SAVE THESE INSTRUCTIONS

SYMBOLS

The following signal words and meanings are intended to explain the levels of risk associated with this product.

SYMBOL	SIGNAL	MEANING
	DANGER:	Indicates a hazardous situation, which, if not avoided, will result in death or serious injury.
	WARNING:	Indicates a hazardous situation, which, if not avoided, could result in death or serious injury.
	CAUTION:	Indicates a hazardous situation, which, if not avoided, may result in minor or moderate injury.
	NOTICE:	(Without Safety Alert Symbol) Indicates information considered important, but not related to a potential injury (e.g. messages relating to property damage).

Some of the following symbols may be used on this product. Please study them and learn their meaning. Proper interpretation of these symbols will allow you to operate the product better and safer.

SYMBOL	NAME	DESIGNATION/EXPLANATION
	Safety Alert	Indicates a potential personal injury hazard.
	Read Operator's Manual	To reduce the risk of injury, user must read and understand operator's manual before using this product.
	Eye and Hearing Protection	Always wear eye protection with side shields marked to comply with ANSI Z87.1 along with hearing protection when operating this equipment.
	Impeller Blades	Rotating impeller blades can cause severe injury.
	Wet Conditions Alert	Do not expose battery, battery compartment, or electronic components to rain, water, or liquids. Do not charge battery or expose product to rain or damp locations.
	Keep Bystanders Away	Keep all bystanders at least 50 ft. away.
	Long Hair	Failure to keep long hair away from the air inlet could result in personal injury.
	Leaf vacuum Tube	Do not operate without tube in place.
	Loose Clothing	Failure to keep loose clothing from being drawn into air intake could result in personal injury.
	Ricochet	Thrown objects can ricochet and result in personal injury or property damage.
	Recycle Symbol	This product uses lithium-ion (Li-ion) batteries. Local, state, or federal laws may prohibit disposal of batteries in ordinary trash. Consult your local waste authority for information regarding available recycling and/or disposal options.

SYMBOLS

Some of the following symbols may be used on this product. Please study them and learn their meaning. Proper interpretation of these symbols will allow you to operate the product better and safer.

SYMBOL	NAME	DESIGNATION/EXPLANATION
V	Volts	Voltage
min	Minutes	Time
==	Direct Current	Type or a characteristic of current
n_0	No Load Speed	Rotational speed, at no load
.../min	Per Minute	Revolutions, strokes, surface speed, orbits etc., per minute

FEATURES

PRODUCT SPECIFICATIONS

Motor 40 Volts DC
 Variable speed dial Variable low/high

KNOW YOUR LEAF VACUUM

See Figure 1.

The safe use of this product requires an understanding of the information on the tool and in this operator's manual as well as a knowledge of the project you are attempting. Before use of this product, familiarize yourself with all operating features and safety rules.

LEAF COLLECTION BAG

The zippered leaf collection bag is easy to remove and empty.

LEAF VACUUM TUBES

The leaf vacuum tubes feature tool-free assembly.

VARIABLE SPEED DIAL

The variable speed dial, conveniently located on the tool handle, controls the vacuum speed.

WHEELED OPERATION

The wheel assembly fits onto the lower vacuum tube and is adjustable to user preference.

ASSEMBLY

UNPACKING

This product requires assembly.

- Carefully remove the product and any accessories from the box. Make sure that all items listed in the **Packing List** are included.

- Inspect the product carefully to make sure no breakage or damage occurred during shipping.
- Do not discard the packing material until you have carefully inspected and satisfactorily operated the product.
- If any parts are damaged or missing, please call 1-800-860-4050 for assistance.

WARNING:

Do not use this product if any parts in the **Packing List** are already assembled to your product when you unpack it. Parts on this list are not assembled to the product by the manufacturer and require customer installation. Use of a product that may have been improperly assembled could result in serious personal injury.

PACKING LIST

Leaf Vacuum Housing
 Upper Vacuum Tube
 Lower Vacuum Tube
 Wheel Assembly
 Leaf Collection Bag
 Operator's Manual

ASSEMBLY

WARNING:

If any parts are damaged or missing do not operate this product until the parts are replaced. Use of this product with damaged or missing parts could result in serious personal injury.

WARNING:

Do not attempt to modify this product or create accessories not recommended for use with this leaf vacuum. Any such alteration or modification is misuse and could result in a hazardous condition leading to possible serious personal injury.

WARNING:

To prevent accidental starting that could cause serious personal injury, always remove the battery pack from the tool when assembling parts.

WARNING:

Rotating impeller blades can cause severe injury. Always stop the motor, remove the battery, and ensure impeller blades have stopped rotating before removing the inlet cover or installing/changing tubes. Do not put hands or any other object into the vacuum tubes while they are installed on the unit. Failure to follow these instructions can result in serious personal injury.

WARNING:

Verify that all guards and tubes are in place prior to use. If the vacuum is dropped, stop vacuum and verify that no damage has occurred. If any guard, part, or tube is damaged or missing, do not use vacuum until it has been repaired or replaced by a qualified service center. Use of vacuum with damaged or missing guards, parts, or tubes can result in serious personal injury or further damage to the vacuum.

ASSEMBLING THE VACUUM TUBES

See Figures 2 - 3.

- Loosen the thumbscrew above the vacuum housing outlet.
- The locking screw in the lower hole is pre-installed and is spring-loaded. It will click into place when the upper vacuum tube is fully inserted.
- Push the upper tube onto the vacuum housing outlet.
- Securely tighten the thumbscrew.

NOTE: The thumbscrew must be fully tightened or the vacuum will not start. This prevents accidental starting when the tube is not installed.

- Align the tabs on the lower tube with the slots in the upper tube. Push the lower tube in until it clicks into place.

INSTALLING THE WHEEL ASSEMBLY

See Figure 4.

- Slide the wheel assembly onto the lower tube as shown, with the wheels pointed toward the end of the tube.
- Press the tab on the wheel assembly and slide it up or down to adjust its position according to operator preference.

ATTACHING THE LEAF COLLECTION BAG

See Figure 5.

- Slide the bag opening over the curved lower opening in the housing.
- Hook the bag onto the rear of the housing base.
- Pull the bag opening forward until it connects to the front of the housing base and the tab clicks into place, securing the bag to the housing.
- Slip the open-ended tab onto the hook on the upper tube to fasten the bag to the tube.

OPERATION

WARNING:

Do not allow familiarity with products to make you careless. Remember that a careless fraction of a second is sufficient to inflict serious injury.

WARNING:

Always wear eye protection with side shields marked to comply with ANSI Z87.1, along with hearing protection. Failure to do so could result in objects being thrown into your eyes resulting in possible serious injury.

WARNING:

Do not use any attachments or accessories not recommended by the manufacturer of this product. The use of attachments or accessories not recommended can result in serious personal injury.

NOTICE:

Before each use, inspect the entire product for damaged, missing, or loose parts such as screws, nuts, bolts, caps, etc. Tighten securely all fasteners and caps and do not operate this product until all missing or damaged parts are replaced. Please contact customer service or a authorized service center for assistance.

APPLICATIONS

You may use this product for the purposes listed below:

- Clearing leaves and other debris from your lawn
- Keeping decks and driveways free from grass clippings, leaves, pine needles, and other debris

TO INSTALL/REMOVE BATTERY PACK

See Figure 6.

WARNING:

Always remove battery pack from your tool when you are assembling parts, making adjustments, cleaning, or when not in use. Removing battery pack will prevent accidental starting that could cause serious personal injury.

To install:

- Place the battery pack in the leaf vacuum. Align the raised rib on the battery pack with groove in the leaf vacuum's battery port.

WARNING:

Make sure the latch on the bottom of the battery pack snaps into place and the battery pack is fully seated and secure in the battery port before beginning operation. Failure to securely seat the battery pack could cause the battery pack to fall out, resulting in serious personal injury.

NOTICE:

When placing battery pack in the tool, be sure raised rib on battery pack aligns with the bottom of the tool and latches into place properly. Improper installation of the battery pack can cause damage to internal components.

To remove:

- Locate the latch on the bottom of the battery pack and depress to release the battery pack from the leaf vacuum.
- For complete charging instructions, refer to the Operator's Manuals for your battery pack and charger.

STARTING/STOPPING THE LEAF VACUUM

See Figure 7.

- To start the leaf vacuum, press the switch trigger.
- To stop the leaf vacuum, release the switch trigger.

WARNING:

Battery tools are always in operating condition. Therefore, switch should always be in the OFF position when not in use or carrying at your side. Remove battery pack when transporting or carrying leaf vacuum to avoid accidental starting, which could result in serious injury.

WARNING:

Never run the unit without the leaf vacuum tubes and vacuum bag installed. Use of an improperly assembled unit could result in serious personal injury.

OPERATION

VARIABLE SPEED

See Figure 7.

- While the switch trigger is pressed, you can adjust the vacuum speed by rolling the variable speed dial forward to increase speed, or back toward you to decrease speed.

OPERATING THE LEAF VACUUM

See Figure 8.

- Wheels work best when used on a flat surface such as a concrete patio or sidewalk.
- The vacuum is designed to pick up leaves. Take care not to vacuum large twigs. Do not vacuum wet leaves.
- To reduce sound levels, limit the number of pieces of equipment used at any one time.
- After using leaf vacuums or other equipment, CLEAN UP! Dispose of debris properly.

EMPTYING THE LEAF COLLECTION BAG

Periodically empty the leaf collection bag for best performance and to prevent the bag from becoming too heavy.

The flap covering the zipper area is secured with a hook-and-loop fastener.

- Remove the battery pack.
- Remove the leaf collection bag.
- Open the flap.
- Grasp the zipper pull and pull downward.
- Properly dispose of the contents.
- Close the zippers and the flap.
- Reinstall the leaf collection bag.
- Reinstall the battery pack.

CHECKING FOR CLOGS

If the leaf vacuum seems to be losing suction, check the tubes for possible clogs or obstructions.

- Remove the battery pack.
- Loosen the thumbscrew that holds the upper tube.
- Pull the locking screw to release the upper tube.
- Clear any debris or leaves from the tubes and the housing area.

MAINTENANCE

WARNING:

To avoid serious personal injury, always remove the battery pack from the product when cleaning or performing any maintenance.

WARNING:

Always wear eye protection with side shields marked to comply with ANSI Z87.1, along with hearing protection. Failure to do so could result in objects being thrown into your eyes resulting in possible serious injury.

WARNING:

When servicing, use only identical replacement parts. Use of any other parts can create a hazard or cause product damage.

WARNING:

Never use water or any liquids to clean or rinse off your product and do not expose the product to rain or wet conditions. Store indoors in a dry area. Corrosive liquids, water, and chemicals can enter the product's electronic components and/or battery compartment and damage electronic components and/or the battery pack, which can result in a short circuit, increased risk of fire, and serious personal injury. Remove any buildup of dirt and debris by wiping the product clean with a dry cloth occasionally.

NOTICE:

Periodically inspect the entire product for damaged, missing, or loose parts such as screws, nuts, bolts, caps, etc. Tighten securely all fasteners and caps and do not operate this product until all missing or damaged parts are replaced. Please contact customer service or an authorized service center for assistance.

GENERAL MAINTENANCE

Avoid using solvents when cleaning plastic parts. Most plastics are susceptible to damage from various types of commercial solvents and may be damaged by their use. Use clean cloths to remove dirt, dust, oil, grease, etc.

WARNING:

Do not at any time let brake fluids, gasoline, petroleum-based products, penetrating oils, etc., come in contact with plastic parts. Chemicals can damage, weaken or destroy plastic which can result in serious personal injury.

STORAGE

- Clean all foreign material from the leaf vacuum.
- Store indoors in a secure place that is inaccessible to children. Keep away from corrosive agents such as garden chemicals and de-icing salts.
- Do not hang unit so that the switch trigger is pressed.

This product has a Five-year Limited Warranty for personal, family, or household use (90 days for business or commercial use). For warranty details, visit www.ryobitools.com or call (toll free) 1-800-860-4050.

RÈGLES DE SÉCURITÉ IMPORTANTES

En utilisant un appareil électrique, précautions fondamentales toujours devraient être suivies, y compris le suivre :

AVERTISSEMENT !

LIRE ET COMPRENDRE TOUTES LES INSTRUCTIONS AVANT D'UTILISER CETTE SOUFFLERIE. Pour réduire le risque de décharge électrique, et/ou de feu blessure personnelle sérieuse.

- **Apprendre à connaître l'outil. Lire attentivement le manuel d'utilisation. Apprendre les applications et les limites de l'outil, ainsi que les risques spécifiques relatifs à son utilisation.** Le respect de cette consigne réduira les risques d'incendie, de choc électrique et de blessures graves.
- **Interdire l'utilisation du aspirateur à feuilles aux enfants.** Ce n'est pas un jouet. Une surveillance étroite est impérative lorsqu'il est utilisé à proximité d'enfants.
- **Utiliser exclusivement les accessoires recommandés par le fabricant pour le modèle d'outil concerné décrit dans ce manuel.** Des accessoires appropriés pour un outil peuvent être dangereux s'ils sont utilisés avec un autre. Utiliser exclusivement selon les instructions de ce manuel.
- **Ne pas manipuler le chargeur, la fiche du chargeur et les bornes du chargeur avec des mains humides.**
- **Ne pas insérer d'objet dans les ouvertures. Ne pas utiliser si une ouverture est bloquée ; veiller à ce que les ouvertures ne soient jamais obstruées par de la poussière, de la peluche, des cheveux ou quoi que ce soit risquant de réduire le flux d'air.**
- **Ne pas charger l'appareil à l'extérieur.**
- **Garder les cheveux, les vêtements amples, les doigts et toute autre partie du corps à l'écart des ouvertures et pièces en mouvement.**
- **Désactiver toutes les commandes avant de retirer la pile.**
- **Faire preuve d'une grande prudence lors du nettoyage des escaliers et des marches.**
- **Ne pas utiliser d'outils dans des atmosphères explosives, en présence de liquides, de gaz ou de poussières inflammables par exemple.** Les outils motorisés produisent des étincelles qui risquent d'enflammer les poussières ou les vapeurs.
- **Garder le lieu de travail propre et bien éclairé.** Les établis encombrés et les endroits sombres sont propices aux accidents.
- **Éloigner les badauds, enfants et visiteurs à une distance d'au moins 15 m (50 pi) pendant l'utilisation d'un outil motorisé.** Les distractions peuvent causer une perte de contrôle.
- **Les piles d'outils motorisés, qu'elles soient intégrées ou amovibles, ne doivent être rechargées qu'avec le chargeur spécifié.** Un chargeur approprié pour un type de pile peut créer un risque d'incendie s'il est utilisé avec un autre type de pile.
- **Utiliser exclusivement le bloc de pile spécifiquement indiqué pour l'outil.** L'utilisation de toute autre pile peut créer un risque d'incendie.
- **Ne recharger qu'avec l'appareil indiqué.** Pour utiliser l'appareil avec des piles au lithium-ion de 40 V, consulter le supplément de raccordement pour chargeur/outils/piles/appareil n° 988000-842.
- **Ne pas utiliser une chargeur dont la prise ou le cordon sont endommagés au risque de causer un court-circuit et un choc électrique.** Le cas échéant, faire remplacer la prise ou le cordon immédiatement par un centre de réparations agréé.
- **Si l'appareil ne fonctionne pas correctement, s'il a été échappé, s'il est endommagé, s'il a été laissé à l'extérieur ou s'il est tombé dans l'eau, retourner le produit au centre de réparations.**
- **Rester attentif, prêter attention au travail et faire preuve de bon sens lors de l'utilisation de tout outil motorisé. Ne pas utiliser cet outil en état de fatigue, vexé ou sous l'influence d'alcool, de drogues ou de médicaments.** Un moment d'inattention pendant l'utilisation d'un outil motorisé peut causer des blessures graves.
- **Attacher les cheveux longs pour les maintenir au-dessus des épaules, afin qu'ils ne se prennent pas dans les pièces en mouvement.**
- **Éviter les démarrages accidentels. S'assurer que la commande est verrouillée en position d'arrêt avant d'insérer le bloc-piles.** Le transport d'outils avec le doigt sur la commande ou l'insertion du bloc de pile avec la commande en position de marche présente un risque d'accident.
- **Utiliser un équipement de sécurité. Toujours porter des lunettes de protection.** Suivant les conditions, le port d'un masque filtrant, de chaussures de sécurité, d'un casque ou d'une protection auditive est recommandé.
- **Ne porter ni vêtements amples, ni bijoux. Attacher ou couvrir les cheveux longs.** Les vêtements amples, les bijoux et les cheveux longs peuvent se prendre dans les ouïes d'aération.
- **Ne pas utiliser sur une échelle, le dessus de toit, l'arbre ou un support instable.** Une position stable sur une surface ferme permet de mieux contrôler l'outil en cas de situation imprévue.
- **Ne pas utiliser l'outil si la commande ne permet pas de le mettre en marche ou de l'arrêter.** Un outil qui ne peut pas être contrôlé par sa commande est dangereux et doit être réparé.

RÈGLES DE SÉCURITÉ IMPORTANTES

- **Déconnecter le bloc-piles et mettre la commande sur arrêt ou sur verrouillage avant d'effectuer des réglages, de changer d'accessoire ou de remiser l'outil.** Ces mesures de sécurité réduisent les risques de démarrage accidentel de l'outil.
- **Lorsque le bloc-piles n'est pas utilisé, le tenir à l'écart d'objets métalliques tels que : les attaches trombones, les pièces de monnaie, les clous, les vis et les autres petits objets métalliques risquant d'établir le contact entre les deux bornes.** La mise en court-circuit des bornes de piles peut causer des étincelles, des brûlures ou un incendie.
- **Vérifier qu'aucune pièce mobile n'est mal alignée ou bloquée, qu'aucune pièce n'est brisée et s'assurer qu'aucun autre problème ne risque d'affecter le bon fonctionnement de l'outil.** En cas de dommages, faire réparer l'outil avant de l'utiliser de nouveau. Beaucoup d'accidents sont causés par des outils mal entretenus.
- **Garder l'outil et sa poignée secs, propres et exempts d'huile ou de graisse.** Toujours utiliser un chiffon propre pour le nettoyage. Ne jamais nettoyer l'outil avec du liquide de frein, de l'essence, des produits à base de pétrole ou des solvants puissants. Le respect de cette règle réduira les risques de perte du contrôle et de dommage du boîtier en plastique.
- **Toujours porter des lunettes de sécurité avec écrans latéraux.** Les lunettes de vue ordinaires sont munies seulement de verres résistants aux impacts. Ce ne sont PAS des lunettes de sécurité. Le respect de cette règle réduira les risques de choc électrique.
- **Porter une protection oculaire avec écrans latéraux certifiée conforme à la norme ANSI Z87.1 lors de l'utilisation de ce produit.**
- **Protection respiratoire. Porter un masque facial ou un masque anti-poussière si le travail produit de la poussière.** Le respect de cette consigne réduira les risques de blessures graves.
- **Protection auditive. Porter une protection auditive lors de l'utilisation prolongée.** Le respect de cette règle réduira les risques de blessures graves.
- **Les outils fonctionnant sur piles n'ayant pas besoin d'être branchés sur une prise secteur, ils sont toujours en état de fonctionnement. Tenir compte des dangers possibles lorsque l'outil n'est pas en usage et lors du remplacement des piles.** Le respect de cette consigne réduira les risques d'incendie, de choc électrique et de blessures graves.
- **En cas d'usage abusif, du liquide peut s'échapper des piles. Éviter tout contact avec ce liquide.** En cas de contact accidentel, rincer immédiatement les parties atteintes avec de l'eau. Si le liquide pénètre dans vos yeux, il faut aussi consulter un médecin. Le liquide s'échappant des piles peut causer des irritations ou des brûlures.
- **Ne pas utiliser un bloc-piles ou un appareil endommagé ou modifié.** Le bris ou la modification du bloc-piles peut causer un comportement imprévisible et causer un incendie, une explosion ou des blessures.
- **Ne pas exposer le bloc-piles ou l'outil à un feu ou à des températures excessives.** Une exposition à un incendie ou à une température supérieure à 130 °C (265 °F) peut provoquer une explosion.
- **Suivre toutes les instructions afférentes à la recharge et ne pas recharger le bloc-piles ou l'appareil hors des températures spécifiées dans les instructions.** Une recharge incorrecte ou hors des températures spécifiées peut endommager la pile et augmenter les risques de feu.
- **Ne modifiez pas ou n'essayez jamais de réparer l'appareil ou le bloc de pile, sauf comme indiqué dans les instructions d'utilisation et d'entretien.**
- **Ne pas placer les outils motorisés sans fil ou leurs piles à proximité de flammes ou d'une source de chaleur.** Ceci réduira les risques d'explosion et de blessures.
- **Ne pas exposer les outils motorisés à la pluie ou l'humidité.** La pénétration d'eau dans ces outils accroît le risque de choc électrique.
- **Porter des pantalons longs, des bottes et des gants.** Éviter de porter des vêtements lâches ou des bijoux qui pourraient être pris dans les pièces en mouvement de la machine ou le moteur.
- **Ne pas faire fonctionner l'équipement pied nus ou en portant des sandales ou des chaussures légères similaires.** Porter des chaussures de protection qui protègent les pieds et améliorent l'équilibre sur des surfaces glissantes.
- **Se tenir bien campé et en équilibre. Ne pas travailler hors de portée de l'outil.** Cette façon de travailler pourrait vous faire perdre l'équilibre. Faire preuve de prudence pour éviter de glisser ou tomber.
- **Examiner la zone de travail avant chaque utilisation.** La débarrasser de tous les objets tels que cailloux, verre brisé, clous, fils métalliques, cordes, etc. risquant d'être projetés ou de se prendre dans la machine.
- **Ne pas diriger la aspirateur à feuilles vers des personnes ou un animal.**
- **Ne jamais utiliser la aspirateur à feuilles sans les accessoires appropriés installés.** Les tubes doivent toujours être en place. L'utilisation d'un appareil mal assemblé peut provoquer des blessures graves.
- **Lorsqu'il n'est pas utilisé, l'outil doit être rangé à l'intérieur dans un endroit sec et sous verrou, hors de la portée des enfants.**
- **Éviter que la gâchette ne soit appuyée lors de la suspension de l'appareil.**




RÈGLES DE SÉCURITÉ IMPORTANTES

- **Garder tous les badauds, enfants et animaux domestiques à une distance d'au moins 15 m (50 pi).**
- **Ne pas jeter de bloc-piles gravement endommagé ou usé et ce aspirateur à feuilles dans un feu. La pile incendiée peut exploser.**
- **Le service d'outil doit être seulement exécuté par le personnel de réparation qualifié.** Entretien ou l'entretien exécuté par le personnel incompetent peut avoir pour résultat un risque de blessure.
- Arrêter le moteur, attendre que toutes les pièces en mouvement cessent de bouger et retirer le bloc-piles avant tout nettoyage ou entretien.
- **Ne jamais utiliser de l'eau ou une autre liquide pour nettoyer ou rincer la produit et n'exposez pas à la pluie ou conditions l'humidité. La remiser à l'intérieur dans un endroit sec.** Les liquides corrosifs, l'eau et les produits chimiques peuvent s'infiltrer dans le composants électroniques et/ou le compartiment de la pile et endommager les composants électroniques et/ou le bloc-pile, ce qui peut entraîner un court-circuit, augmenter le risque d'incendie ou des blessures corporelles graves. Enlever toute accumulation de la saleté et les débris sur la produit de temps en temps avec un linge sec.
- **En entretenant un outil, un usage un remplacement seulement identique sépare.** Suivre des instructions dans la section d'Entretien de ce manuel. L'usage de parties ou l'échec inautorisées pour suivre les Instructions d'Entretien peuvent créer un risque de choc ou de blessure.
- **Ne jamais utiliser la aspirateur à feuilles à proximité de flammes, d'un foyer, de cendres chaudes, d'un grill, etc.** Ne pas respecter cette directive peut faire en sorte que les flammes se propagent, ce qui peut causer des blessures ou des dommages à la propriété.
- **Ne jamais utiliser l'aspirateur à feuilles pour aspirer des produits chimiques, des fertilisants ou d'autres substances toxiques.** Aspirer ces substances pourrait blesser gravement l'utilisateur ou les personnes situées à proximité.
- **Ne jamais placer la aspirateur à feuilles en marche sur une surface, sauf si celle-ci est dure et propre.** Le gravier, le sable et les autres débris peuvent être aspirés dans l'entrée d'air et projetés en direction de l'utilisateur ou des personnes à proximité, ce qui peut entraîner des blessures graves.
- **Pour usage domestique seulement.**
- Débrancher le bloc-piles d'outil dès la fin de l'utilisation, avant l'entretien et avant le remisage. Ces mesures de sécurité préventives réduisent les risques de démarrage accidentel de l'outil.
- Ne pas travailler sous un éclairage insuffisant.
- Ne pas utiliser l'outil pour aspirer des liquides inflammables ou combustibles tels que l'essence, ni dans des environnements où ils se trouveraient.
- Ne pas aspirer d'éléments qui brûlent ou qui fument comme des cigarettes, des allumettes ou des cendres chaudes.
- N'insérer aucun objet dans les ouvertures. Ne pas utiliser l'appareil lorsqu'une ouverture est bloquée; s'assurer d'enlever toute la poussière, la peluche, les cheveux ou tout autre matière pouvant réduire la circulation d'air.
- Ne pas diriger la soufflante/aspirateur vers des personnes ou un animaux.
- Lorsque la machine est utilisée pour aspirer, les tubes d'aspiration et le sac doivent toujours être installés. Pour éviter la projection de débris, s'assurer que la fermeture à glissière de sac est complètement fermée lorsque le moteur tourne.
- Ne pas utiliser l'aspirateur sans le sac, car des débris pourraient être projetés et infliger des blessures graves. Toujours fermer le sac complètement avant d'utiliser l'aspirateur.
- Les pales de ventilateur en rotation peuvent causer des blessures graves. Toujours arrêter le moteur, enlever la batterie et s'assurer que les pales ne tournent plus avant d'ouvrir le volet d'aspiration ou d'installer/changer les tubes. Ne pas mettre les mains ou quelque objet que ce soit dans les tubes installés sur la machine. Ne pas suivre ces instructions peut causer des blessures graves.
- Éviter les situations pouvant mettre le feu au sac. Ne pas utiliser la machine à proximité de flammes vives. Ne pas aspirer les cendres chaudes de cheminées, barbecues, feux de bois, etc. Ne pas aspirer de mégots de cigares ou cigarettes dont les cendres ne sont pas complètement froides.
- Entretien soigneusement l'outil. Garder la zone du ventilateur propre pour maintenir un fonctionnement efficace et sécuritaire. Pour un entretien adéquat, suivre les instructions.
- Ne pas tenter de décrasser l'outil sans l'avoir débranché au préalable.
- **Conserver ces instructions.** Les consulter fréquemment et les utiliser pour instruire les autres utilisateurs éventuels. Si cet outil est prêté, il doit être accompagné de ces instructions.












CONSERVER CES INSTRUCTIONS

SYMBOLES

Les termes de mise en garde suivants et leur signification ont pour but d'expliquer le degré de risques associé à l'utilisation de ce produit.

SYMBOLE	SIGNAL	SIGNIFICATION
	DANGER :	Indique une situation dangereuse qui, si elle n'est pas évitée, aura pour conséquences des blessures graves ou mortelles.
	AVERTISSEMENT :	Indique une situation dangereuse qui, si elle n'est pas évitée, pourrait entraîner des blessures graves ou mortelles.
	ATTENTION :	Indique une situation dangereuse qui, si elle n'est pas évitée, pourrait entraîner des blessures légères ou de gravité modérée.
	AVIS :	(Sans symbole d'alerte de sécurité) Indique les informations jugées importantes sans toutefois représenter un risque de blessure (ex. : messages concernant les dommages matériels).

Certains des symboles ci-dessous peuvent être utilisés sur produit. Veiller à les étudier et à apprendre leur signification. Une interprétation correcte de ces symboles permettra d'utiliser produit plus efficacement et de réduire les risques.

SYMBOLE	NOM	DÉSIGNATION / EXPLICATION
	Symbole d'alerte de sécurité	Indique un risque de blessure potentiel.
	Lire le manuel d'utilisation	Pour réduire les risques de blessures, l'utilisateur doit lire et veiller à bien comprendre le manuel d'utilisation avant d'utiliser ce produit.
	Protection oculaire et auditive	Toujours porter une protection oculaire avec écrans latéraux certifiée conforme à la norme ANSI Z87.1 ainsi qu'un protection auditive.
	Pales de ventilateur	Les pales de ventilateur en rotation peuvent causer des blessures graves
	Avertissement concernant l'humidité	Ne pas exposer la pile, le compartiment de la pile, ou les composants électroniques à la pluie, l'eau ou d'autres liquides. Ne pas charger la pile ou exposer la produit à la pluie ou des endroits humides.
	Ne laisser personne s'approcher	Garder les badauds à une distance de 15 m (50 pi) minimum.
	Cheveux longs	Ne pas garder les cheveux longs à l'écart de l'entrée d'air peut entraîner des blessures.
	Tube de aspirateur à feuilles	Ne pas utiliser sans le tube en place.
	Vêtements amples	Ne pas garder les vêtements amples à l'écart de l'entrée d'air peut entraîner des blessures.
	Ricochet	Les objets projetés peuvent ricocher et infliger des blessures ou causer des dommages matériels.
	Symbole de recyclage	Ce produit utilise les piles de lithium-ion (Li-ion). Les réglementations locales ou gouvernementales peuvent interdire de jeter les piles dans les ordures ménagères. Consulter les autorités locales compétentes pour les options de recyclage et/ou l'élimination.

SYMBOLES

Certains des symboles ci-dessous peuvent être utilisés sur produit. Veillez à les étudier et à apprendre leur signification. Une interprétation correcte de ces symboles permettra d'utiliser produit plus efficacement et de réduire les risques.

SYMBOLE	NOM	DÉSIGNATION / EXPLICATION
V	Volts	Tension
min	Minutes	Temps
—	Courant continu	Type ou caractéristique du courant
n_0	Vitesse à vide	Vitesse de rotation à vide
.../min	Par minute	Tours, coups, vitesse périphérique, orbites, etc., par minute

CARACTÉRISTIQUES

FICHE TECHNIQUE

Moteur40 V c.c.
Cadran de vitesse variableBasse/élevée variable

APPRENDRE À CONNAÎTRE LA ASPIRATEUR À FEUILLES

Voir la figure 1.

La sécurité d'utilisation de ce produit exige la compréhension des informations apposées sur l'outil et contenues dans ce manuel d'utilisation, ainsi que la connaissance du travail à exécuter. Avant d'utiliser ce produit, se familiariser avec toutes ses fonctions et règles de sécurité.

SAC DE COLLECTE DE FEUILLES

Le sac de collecte de feuilles à fermeture à glissière s'enlève et se vide aisément.

TUBES D'ASPIRATION DES FEUILLES

Les tubes d'aspiration des feuilles s'assemblent sans outil.

CADRAN DE VITESSE VARIABLE

Situé de manière pratique sur la poignée de l'outil, le cadran de vitesse variable contrôle la vitesse d'aspiration.

OPÉRATION À ROUES

L'ensemble de roues se place sur le tube d'aspiration inférieur et s'ajuste selon les préférences de l'utilisateur.

ASSEMBLAGE

DÉBALLAGE

Ce produit nécessite l'assemblage.

- Avec précaution, sortir le produit et les accessoires de la boîte. S'assurer que toutes les pièces figurant sur la **Liste de contrôle d'expédition** sont incluses.

AVERTISSEMENT :

Ne pas utiliser le produit si, en le déballant, vous constatez que des éléments figurant sur la **Liste de contrôle d'expédition** sont déjà assemblés. Certaines pièces figurant sur cette liste n'ont pas été assemblées par le fabricant et exigent une installation. Le fait d'utiliser un produit qui a été assemblé de façon inadéquate peut entraîner des blessures.

- Examiner soigneusement le produit pour s'assurer que rien n'a été brisé ou endommagé en cours de transport.
- Ne pas jeter les matériaux d'emballage avant d'avoir soigneusement examiné l'outil et avoir vérifié qu'il fonctionne correctement.
- Si des pièces sont manquantes ou endommagées, appeler le 1-800-860-4050.

LISTE DE CONTRÔLE D'EXPÉDITION

Logement d'aspiration des feuilles
Tube d'aspiration supérieur
Tube d'aspiration inférieur
Ensemble de roues
Sac de collecte de feuilles
Manuel d'utilisation

ASSEMBLAGE

⚠ AVERTISSEMENT :

Si des pièces manquent ou sont endommagées, ne pas utiliser ce produit avant qu'elles aient été remplacées. Le fait d'utiliser ce produit même s'il contient des pièces endommagées ou s'il lui manque des pièces peut entraîner des blessures graves.

⚠ AVERTISSEMENT :

Ne pas essayer de modifier cet outil ou de créer des accessoires non recommandés pour l'outil. De telles altérations ou modifications sont considérées comme un usage abusif et peuvent créer des conditions dangereuses, risquant d'entraîner des blessures graves.

⚠ AVERTISSEMENT :

Pour empêcher un démarrage accidentel pouvant entraîner des blessures graves, toujours retirer le bloc de pile de l'outil avant d'assembler des pièces.

⚠ AVERTISSEMENT :

Les pales en rotation peuvent causer des blessures graves. Toujours arrêter le moteur, enlever la batterie et s'assurer que les pales ne tournent plus avant de retirer le couvercle de l'entrée d'air ou bien avant d'installer et de changer les tubes. Ne pas mettre les mains ou d'autres objets dans les tubes d'aspiration au moment de les installer sur l'appareil. Des blessures graves peuvent survenir si ces instructions ne sont pas respectées.

⚠ AVERTISSEMENT :

S'assurer que tous les protecteurs et tubes sont installés correctement avant l'utilisation. Si le aspirateur à feuilles est échappé, éteindre le aspirateur à feuilles et s'assurer que ce dernier est intact. Si un protecteur, une pièce ou un tube est endommagé ou manquant, ne pas utiliser le aspirateur à feuilles tant que ce dernier n'est pas réparé ou remplacé par un centre de réparations qualifié. L'utilisation d'un souffleur comportant des protecteurs, des pièces ou des tubes endommagés ou manquants représente un risque de blessures graves et d'endommager le aspirateur à feuilles.

ASSEMBLAGE DES TUBES D'ASPIRATION

Voir les figures 2 et 3.

- Desserrer la vis à oreilles située au-dessus de la sortie du logement d'aspiration.
- La vis de verrouillage dans le trou inférieur est préinstallée et est à ressort. Elle s'enclenchera en place lorsque le tube d'aspiration supérieur est entièrement inséré.
- Pousser le tube supérieur dans la sortie du logement d'aspiration.
- Serrer fermement la vis à oreilles.

NOTE : La vise à oreilles doit être entièrement serrée, sinon l'aspirateur ne démarrera pas. Cela empêche un démarrage accidentel si le tube n'est pas installé.

- Aligner les languettes du tube inférieur sur les fentes du tube supérieur. Pousser sur le tube inférieur jusqu'à ce qu'il s'enclenche en place.

INSTALLATION DE L'ENSEMBLE DE ROUES

Voir la figure 4.

- Glisser l'ensemble de roues sur le tube inférieur tel qu'il est illustré, en orientant les roues vers l'extrémité du tube.
- Appuyer sur la languette de l'ensemble de roues et glisser vers le haut ou le bas pour régler sa position selon les préférences de l'utilisateur.

FIXATION DU SAC DE COLLECTE DE FEUILLES

Voir la figure 5.

- Glisser l'ouverture du sac dans l'ouverture inférieure courbe du logement.
- Accrocher le sac à l'arrière de la base du logement.
- Tirer l'ouverture du sac vers l'avant jusqu'à ce qu'elle se connecte à l'avant de la base du logement et que la languette s'enclenche en place, sécurisant ainsi le sac au logement.
- Glisser la languette à bout ouvert sur le crochet du tube supérieur afin d'attacher le sac au tube.

UTILISATION

⚠ AVERTISSEMENT :

Ne pas laisser la familiarité avec ce produits faire oublier la prudence. Ne pas oublier qu'une fraction de seconde d'inattention peut entraîner des blessures graves.

⚠ AVERTISSEMENT :

Toujours porter une protection oculaire avec écrans latéraux certifiée conforme à la norme ANSI Z87.1 ainsi qu'un protection auditive. Si cette précaution n'est pas prise, des objets peuvent être projetés dans les yeux et causer des lésions graves.

⚠ AVERTISSEMENT :

Ne pas utiliser d'outils ou accessoires non recommandés par le fabricant pour ce produit. L'utilisation de pièces et accessoires non recommandés peut entraîner des blessures graves.

AVIS :

Avant chaque utilisation, inspecter complètement l'appareil et s'assurer qu'aucune pièce, telle que les vis, écrous, boulons, capuchons, etc., n'est endommagée, manquante ou desserrée. Serrer fermement l'ensemble des fixations et des capuchons et ne pas utiliser l'appareil tant que toutes les pièces manquantes ou endommagées n'ont pas été remplacées. Communiquer avec le service à la clientèle ou un centre de réparation agréé pour obtenir de l'aide.

APPLICATIONS

Ce produit peut être utilisé pour les applications ci-dessous :

- Élimination des feuilles et d'autres débris des pelouses
- Élimination de les brins d'herbe, feuilles, aiguilles de pin, et d'autres débris des terrasses et allées de garage

RETRAIT / INSTALLATION DU BLOC-PILES

Voir la figure 6.

⚠ AVERTISSEMENT :

Toujours retirer la pile de l'outil au moment d'assembler des pièces, d'effectuer des réglages et de procéder au nettoyage, ou lorsque l'outil n'est pas utilisé. Le fait de retirer la pile permet d'empêcher un démarrage accidentel pouvant entraîner des blessures graves.

Installation :

- Insérer le bloc-piles dans le aspirateur à feuilles. Aligner la nervure en saillie du bloc-piles sur la rainure du logement du aspirateur à feuilles.

⚠ AVERTISSEMENT :

S'assurer que le loquet au bas du bloc-piles s'enclenche et que le bloc-piles est installé et fixé correctement avant de commencer le travail. Ne pas installer et fixer correctement le bloc-piles peut provoquer la chute de ce dernier et occasionner des blessures graves.

AVIS :

Lors de l'installation du bloc-piles, veiller à ce que sa nervure s'aligne sur le fond de l'outil et se verrouille en place. Une insertion incorrecte du bloc-piles peut causer des dommages aux composants internes.

Retrait :

- Appuyer sur le loquet sur le bas du bloc-piles pour le séparer du aspirateur à feuilles.

Pour prendre connaissance des consignes de chargement, consulter le manuel d'utilisation des piles et des chargeurs.

MISE EN MARCHÉ ET ARRÊT DE LA ASPIRATEUR À FEUILLES

Voir la figure 7.

- Pour démarrer la aspirateur à feuilles, appuyer sur la gâchette.
- Pour arrêter la aspirateur à feuilles, relâcher la gâchette.

⚠ AVERTISSEMENT :

Les outils à piles sont toujours en état de fonctionnement. Il est donc nécessaire de toujours verrouiller l'interrupteur lorsque l'outil n'est pas en usage et pendant son transport. Retirer la pile au moment de transporter le aspirateur à feuilles afin d'éviter un démarrage accidentel qui pourrait entraîner des blessures graves.

⚠ AVERTISSEMENT :

Ne jamais faire fonctionner l'appareil sans avoir installé les tubes d'aspiration et le sac d'aspiration. L'utilisation d'un appareil mal assemblé peut provoquer des blessures graves.

UTILISATION

RÉGULATEUR DE SURALIMENTATION

Voir la figure 7.

- Tandis que la gâchette de l'interrupteur est enfoncée, appuyer sur le bouton de suralimentation pour augmenter le débit d'air à la vitesse maximum.

UTILISATION DE LA ASPIRATEUR À FEUILLES

Voir la figure 8.

- Les roues fonctionnent mieux sur une surface plate, telle qu'un patio ou un trottoir en béton.
- L'aspirateur est conçu pour ramasser les feuilles. Veiller à ne pas aspirer de grandes brindilles. Ne pas aspirer des feuilles humides.
- Pour réduire le niveau sonore, limiter le nombre d'outils motorisés utilisés en même temps.
- Après utilisation de la aspirateur à feuilles ou de tout autre équipement, NETTOYER ! Éliminer les débris selon une méthode appropriée.

VIDAGE DU SAC DE COLLECTE DE FEUILLES

Vider régulièrement le sac de collecte de feuilles pour obtenir une performance optimale et pour éviter que le sac devienne trop lourd.

Le rabat couvrant la zone de la fermeture à glissière est sécurisé avec une attache auto-agrippante.

- Retirer le bloc-piles.
- Enlever le sac de collecte de feuilles.
- Ouvrir le rabat.
- Saisir la tirette de la fermeture à glissière et tirer vers le bas.
- Jeter correctement le contenu.
- Fermer la fermeture à glissière et le rabat.
- Réinstaller le sac de collecte de feuilles.
- Réinstaller le bloc-piles.

VÉRIFICATION DES OBSTRUCTIONS

Si l'aspirateur à feuilles semble perdre de la puissance d'aspiration, examiner les tubes pour vérifier s'il y a des bouchons ou des obstructions.

- Retirer le bloc-piles.
- Desserrer la vis à oreilles maintenant le tube supérieur.
- Tirer la vis de verrouillage pour relâcher le tube supérieur.
- Éliminer les feuilles ou débris des tubes et du logement.

ENTRETIEN

AVERTISSEMENT :

Pour empêcher un démarrage accidentel pouvant entraîner des blessures graves, toujours retirer le bloc de pile de le produit avant tout nettoyage ou entretien.

AVERTISSEMENT :

Toujours porter une protection oculaire avec écrans latéraux certifiée conforme à la norme ANSI Z87.1 ainsi qu'un protection auditive. Si cette précaution n'est pas prise, des objets peuvent être projetés dans les yeux et causer des lésions graves.

AVERTISSEMENT :

Utiliser exclusivement des pièces d'origine pour les réparations. L'usage de toute autre pièce pourrait créer une situation dangereuse ou endommager l'outil.

AVERTISSEMENT :

Ne jamais utiliser de l'eau ou une autre liquide pour nettoyer ou rincer la produit et n'exposez pas à la pluie ou conditions l'humidité. La remiser à l'intérieur dans un endroit sec. Les liquides corrosifs, l'eau et les produits chimiques peuvent s'infiltrer dans le composants électroniques et/ou le compartiment de la pile et endommager les composants électroniques et/ou le bloc-pile, ce qui peut entraîner un court-circuit, augmenter le risque d'incendie ou des blessures corporelles graves. Enlever toute accumulation de la saleté et les débris sur la produit de temps en temps avec un linge sec.

AVIS :

Vider inspecter complètement l'appareil et s'assurer qu'aucune pièce, telle que les vis, écrous, boulons, capuchons, etc., n'est endommagée, manquante ou desserrée. Serrer fermement l'ensemble des fixations et des capuchons et ne pas utiliser l'appareil tant que toutes les pièces manquantes ou endommagées n'ont pas été remplacées. Communiquer avec le service à la clientèle ou un centre de réparation qualifié pour obtenir de l'aide.

ENTRETIEN GÉNÉRAL

Éviter d'utiliser des solvants pour le nettoyage des pièces en plastique. La plupart des matières plastiques peuvent être endommagées par divers types de solvants du commerce. Utiliser un chiffon propre pour éliminer la saleté, la poussière, l'huile, la graisse, etc.

AVERTISSEMENT :

Ne jamais laisser de liquides tels que le fluide de freins, l'essence, les produits à base de pétrole, les huiles pénétrantes, etc., entrer en contact avec les pièces en plastique. Les produits chimiques peuvent endommager, affaiblir ou détruire le plastique, ce qui peut entraîner des blessures graves.

REMISAGE

- Nettoyer soigneusement la aspirateur à feuilles.
- La remiser à l'intérieur, inaccessible aux enfants. La tenir à l'écart de produits corrosifs, tels que les produits chimiques de jardinage et le sel de dégivrage.
- Éviter que la gâchette ne soit appuyée lors de la suspension de l'appareil.

Ce produit est accompagné d'une garantie limitée de cinq (5) ans pour utilisation personnel, familiales ou domestiques (90 jours pour utilisation affaires ou commerciaux). Pour obtenir les détails de la garantie, visiter le site www.ryobitools.com ou appeler (sans frais) au 1-800-860-4050.

INSTRUCCIONES IMPORTANTES DE SEGURIDAD

Cuando se usa un electrodoméstico, las precauciones básicas siempre se deben seguir, inclusive lo siguiente:



¡ADVERTENCIA!

LEA Y COMPRENDA TODAS LAS INSTRUCCIONES ANTES DE UTILIZAR ESTE FUELLE. Para reducir el riesgo de calambre, el fuego y/o la herida personal grave.

- **Familiarícese con su aspiradora de hojas eléctrica. Lea cuidadosamente el manual del operador. Aprenda sus usos y limitaciones, así como los posibles peligros específicos de esta aspiradora de hojas.** Con el cumplimiento de esta regla se reduce el riesgo de una descarga eléctrica, incendio o lesión seria.
- **No permita que los niños usen la aspiradora de hojas.** No es un juguete. Debe tenerse extrema precaución cuando se use cerca de niños.
- **Sólo utilice accesorios recomendados por el fabricante para cada modelo en particular se describe en este manual.** Accesorios que pueden ser adecuados para una aspiradora de hojas pueden significar un riesgo de lesiones si se emplean con otra aspiradora de hojas. Sólo utilice el producto de la forma descrita en este manual.
- **No manipule el cargador, incluso la clavija del cargador y las terminales del cargador, con las manos mojadas.**
- **No coloque ningún objeto en las aberturas. No la utilice con ninguna abertura bloqueada; manténgalas libres de polvo, pelusa, pelo y cualquier cosa que pueda reducir el flujo de aire.**
- **No cargue la unidad en el exterior.**
- **Mantenga el cabello, la ropa holgada, los dedos y todas las partes del cuerpo alejados de las aberturas y piezas móviles de la unidad.**
- **Apague todos los controles antes de extraer la batería.**
- **Tenga especial cuidado al limpiar escaleras o escalones.**
- **No utilice aspiradora de hojas en entornos explosivos, como los existentes alrededor de líquidos, gases y polvos inflamables.** La aspiradora de hojas eléctricas generan chispas que pueden encender el polvo y los vapores inflamables.
- **Mantenga limpia y bien iluminada el área de trabajo.** Una mesa de trabajo desordenada y una mala iluminación son causas comunes de accidentes.
- **Mantenga alejados a transeúntes, niños y demás presentes por lo menos a 15 metros (50 pies) de distancia al utilizar una aspiradora de hojas eléctrica.** Toda distracción puede causar la pérdida del control de la aspiradora de hojas.
- **Toda aspiradora de hojas que utiliza baterías, ya sea integradas o separadas, debe recargarse únicamente con el cargador especificado para la batería.** Un cargador que puede ser adecuado para un tipo de batería puede significar un riesgo de incendio si se emplea con otro tipo de batería.
- **Utilice la aspiradora de hojas activadas con baterías únicamente con la batería específicamente indicada.** El empleo de otras baterías puede presentar un riesgo de incendio.
- **Cargue solamente con el cargador indicado.** Para utilizar con paquetes de baterías de 40 V, consulte el folleto de la herramienta/aparato/paquete de baterías/cargador complementario 988000-842.
- **No utilice la cargador si está dañado el cable o la clavija, ya que podría causar un cortocircuito y una descarga eléctrica.** Si el cargador se encuentra dañado, un técnico de centro de servicio autorizado.
- **Si el aparato de mano no está funcionando adecuadamente, se dejó caer, se dañó, se dejó a la intemperie, o se dejó caer dentro del agua, regrésela al centro de servicio autorizado.**
- **Permanezca alerta, preste atención a lo que esté haciendo y aplique su sentido común al utilizar la aspiradora de hojas eléctrica. No utilice la aspiradora de hojas si está cansado, trastorno o se encuentra bajo los efectos de alguna droga, alcohol o medicamento.** Un momento de inatención al utilizar la aspiradora de hojas eléctrica puede causar lesiones corporales de gravedad.
- **Recójase el cabello si lo tiene largo, de manera que le quede arriba de los hombros para evitar que se enrede en las piezas en movimiento.**
- **Evite el arranque accidental de la unidad. Asegúrese de que el interruptor esté en la posición de aseguramiento o de apagado antes de instalar la batería.** Llevar la aspiradora de hojas con el dedo en el interruptor o instalar la batería en la aspiradora de hojas con el interruptor activado es causa común de accidentes.
- **Póngase equipo de seguridad. Siempre póngase protección ocular.** Cuando lo exijan las circunstancias, debe ponerse careta contra el polvo, zapatos de seguridad antiderrapantes, casco y protección auditiva.
- **No vista ropas holgadas ni porte joyas. Recójase el cabello si está largo.** Las ropas holgadas y las joyas, así como el cabello largo, pueden resultar atraídas hacia el interior de las ventilas.
- **No utilice la unidad al estar en una escalera, en el tejado, en el árbol, o en un soporte inestable.** Una postura estable sobre una superficie sólida permite un mejor control de la aspiradora de hojas en situaciones inesperadas.
- **No utilice la aspiradora de hojas si el interruptor no la enciende ni apaga.** Una aspiradora de hojas que no puede controlarse con el interruptor es peligrosa y debe repararse.

INSTRUCCIONES IMPORTANTES DE SEGURIDAD

- **Antes de efectuar ajustes, de cambiar accesorios o de guardar la aspiradora de hojas, desconecte la batería de la aspiradora de hojas o ponga el interruptor en la posición de aseguramiento o apagado.** Tales medidas preventivas de seguridad reducen el riesgo de poner en marcha accidentalmente la aspiradora de hojas.
- **Cuando no esté usando la batería, manténgala alejada de objetos metálicos tales como: clips, monedas, llaves, clavos, tornillos y otros objetos metálicos pequeños que puedan establecer una conexión entre ambos terminales.** Al establecer una conexión directa entre los dos terminales se puede causar chispas, quemaduras o incendios.
- **Reviselas piezas móviles estándares alineadas o atoradas, si hay piezas rotas o toda otra condición que pudiese afectar el funcionamiento de la aspiradora de hojas. Si se daña la aspiradora de hojas, llévela a servicio antes de volver a utilizarla.** Numerosos accidentes son causados por aspiradora de hojas mal cuidadas.
- **Mantenga la aspiradora de hojas y su mango secos, limpios y sin aceite ni grasa.** Siempre utilice un paño limpio para la limpieza de la unidad. Nunca utilice fluidos para frenos, gasolina, productos a base de petróleo ni solventes fuertes para limpiar la aspiradora de hojas. Con el cumplimiento de esta regla se reduce el riesgo de una pérdida de control y el deterioro de la carcasa de plástico de la unidad.
- **Siempre use gafas de seguridad con protección lateral.** Los anteojos comunes sólo tienen lentes resistentes a los impactos. NO son anteojos de seguridad. Con el cumplimiento de esta regla se reduce el riesgo de posibles lesiones oculares.
- **Siempre póngase protección ocular con la marca de cumplimiento de la norma ANSI Z87.1 junto con protección auditiva.**
- **Protéjase los pulmones. Use una careta o mascarilla contra el polvo si la operación genera mucho polvo.** Con el cumplimiento de esta regla se reduce el riesgo de lesiones corporales serias.
- **Protéjase los oídos. Durante períodos prolongados de utilización del producto, póngase protección para los oídos.** Con el cumplimiento de esta regla se reduce el riesgo de lesiones corporales serias.
- **Las aspiradora de hojas de baterías no se necesitan conectar a una toma de corriente; por lo tanto, siempre están en condiciones de funcionamiento. Está consciente de los posibles peligros cuando no esté usando la aspiradora de hojas de baterías o cuando esté cambiando los accesorios de la misma.** Con el cumplimiento de esta regla se reduce el riesgo de una descarga eléctrica, incendio o lesión corporal seria.
- **Si se maltratan las baterías, puede derramarse líquido de las mismas; evite todo contacto con éste.** En caso de contacto, lávese con agua. Si el líquido llega a tocar los ojos, además busque atención médica. El líquido que sale despedido de la bateía puede causar irritaciones o quemaduras.
- **No utilice un paquete de baterías o un artefacto que esté dañado o modificado.** Las baterías dañadas o modificadas pueden tener un funcionamiento impredecible que provoque incendios, explosiones o riesgo de lesiones.
- **No exponga el paquete de baterías o el artefacto al fuego o a temperaturas excesivas.** La exposición al fuego o a temperatura sobre los 130 °C (265 °F) puede provocar explosiones.
- **Siga todas las instrucciones de carga y no cargue el paquete de baterías ni el aparato fuera del rango de temperaturas especificado en las instrucciones.** Si realiza la carga en forma incorrecta o fuera de las temperaturas del rango especificado puede dañar la batería y aumentar el riesgo de incendios.
- **No modifique ni intente reparar el dispositivo o el paquete de baterías, excepto según se indica en las instrucciones de uso y mantenimiento.**
- **No coloque aspiradora de hojas de baterías ni las baterías mismas cerca del fuego o del calor.** De esta manera se reduce el riesgo de explosiones y de lesiones.
- **No exponga las aspiradora de hojas eléctricas a la lluvia ni a condiciones de humedad.** La introducción de agua en una aspiradora de hojas eléctrica aumenta el riesgo de descargas eléctricas.
- **Póngase pantalones, botas y guantes gruesos.** Evite ropas holgadas o joyas que pudieran resultar atrapadas en piezas móviles de la máquina o del motor.
- **No accione el equipo cuando esté descalzo o al llevar puestas sandalias o calzado liviano similar.** Use calzado de seguridad que le proteja sus pies y mejore su postura en superficies resbaladizas.
- **Mantenga los pies bien afirmados y el equilibrio.** No trate de alcanzar demasiado lejos. Se puede perder el equilibrio al tratar de alcanzar demasiado lejos.
- **Revise el área de trabajo cada vez antes de utilizar esta aspiradora de hojas.** Retire todos los objetos como piedras, vidrio roto, clavos, alambre o cuerda que puedan salir disparados o enredarse en la máquina.
- **No apunte la boquilla de la aspiradora de hojas hacia personas o mascotas.**
- **Nunca utilice la unidad sin el equipo adecuado instalado.** Siempre asegúrese de instalar los tubos de la aspiradora de hojas. El uso de una unidad ensamblada de manera inapropiada podría resultar en lesiones personales graves.
- **Mientras no se esté utilizando, la aspiradora de hojas debe almacenarse en el interior, en un sitio seco y bajo llave, lejos del alcance de los niños.**




INSTRUCCIONES IMPORTANTES DE SEGURIDAD

- **No cuelgue la unidad de una manera que el gatillo quede presionado.**
- **Mantenga a todos los circunstantes, niños y animales por lo menos a 15 metros (50 pies) de distancia.**
- **No incinere esta aspiradora de hojas o un paquete de baterías desgastado o dañado seriamente.** La batería puede explotar si se la expone al fuego.
- **El servicio del instrumento debe ser realizado sólo por personal calificado de reparación.** Atienda a o la conservación realizada por el personal sin título puede tener como resultado un riesgo de la herida.
- Apague el motor, espere hasta que todas las piezas se detengan y retire la paquete de baterías antes al limpiarla o darle mantenimiento.
- **Nunca use agua ni otros líquidos para limpiar o enjuagar la product y no esponga la unidad a la lluvia ni de condiciones húmedas. Almacene la unidad en el interior en un lugar seco.** Los líquidos corrosivos, el agua, y los productos químicos pueden ingresar los componentes eléctricos del producto y/o al compartimiento de la batería y dañar los componentes eléctricos o el paquete de la batería, lo que podría resultar en un corto circuito, mayor riesgo de incendio y lesiones personales graves. Retire la acumulación de suciedad y los residuos limpiando el producto con un trapo seco de manera ocasional.
- **Al atender a un instrumento, el uso el reemplazo sólo idéntico despide.** Siga las instrucciones en la sección de la Conservación de este manual. El uso de partes o fracaso no autorizados seguir la Conservación las Instrucciones pueden crear un riesgo del golpe o la herida.
- **Nunca utilice el soplador cerca del fuego, chimeneas, cenizas al rojo vivo, asadores, etc.** El uso cerca del fuego o las cenizas calientes puede propagar incendios y producir lesiones serias y/o daños a los bienes.
- **Nunca use la aspiradora de hojas para aspirar productos químicos, fertilizantes o sustancias tóxicas.** Si aspira estas sustancias, el operador o las personas cercanas podrían sufrir lesiones graves.
- **Nunca coloque el soplador en ninguna superficie, excepto que sea una superficie dura y limpia cuando el motor se encuentra en funcionamiento.** Es posible que la entrada de aire recoja grava, arena y otros residuos y los arroje al operador o a los espectadores, lo que puede causar lesiones serias.
- **Para uso doméstico únicamente.**
- Retire el paquete de baterías de la fuente de alimentación cuando no esté en uso, antes de darle servicio y antes de guardarla. Tales medidas preventivas de seguridad reducen el riesgo de poner en marcha accidentalmente la herramienta.
- No utilice este producto si no hay luz suficiente.
- No recoja líquidos combustibles o inflamables, como la gasolina, ni utilice en áreas donde puedan estar presentes.
- No recoja nada que esté quemándose o ardiendo, como colillas de cigarrillos o cenizas calientes.
- No coloque ningún objeto en las aberturas. No utilice el aparato si tiene alguna abertura bloqueada; manténgalas libres de polvo, pelusa, cabello y cualquier cosa que pueda reducir el flujo de aire.
- No apunte la boquilla de la aspiradora de hojas /aspiradora hacia personas o mascotas.
- Cuando utilice la unidad como aspiradora, siempre instale los tubos y el saco de aspiración. Asegúrese de que el saco de la aspiradora esté con el cierre completamente cerrado cuando esté funcionado la unidad para evitar que salgan desechos disparados.
- No utilice la aspiradora sin el saco de la misma instalado; los desechos lanzados por la herramienta podrían causar lesiones serias. Siempre cierre completamente el saco de la aspiradora antes de utilizarla.
- Las aspas del propulsor giratorio pueden causar lesiones serias. Detenga siempre el motor, quite la batería y asegúrese de que las hojas del impulsor hayan dejado de girar antes de abrir la puerta de la aspiradora o de instalar o cambiar los tubos. No ponga la manos ni ningún objeto dentro de los tubos de la aspiradora mientras los instala en la unidad. Si no sigue estas instrucciones, podría sufrir lesiones personales graves.
- Evite situaciones que puedan prender fuego al saco de la aspiradora. No utilice la unidad cerca de llamas abiertas. No recoja con la aspiradora cenizas calientes de las chimeneas, parrillas para asar carne, baterías de broza, etc. No recoja con la aspiradora cigarros desechados a menos que las cenizas estén completamente apagadas.
- Dé mantenimiento con cuidado a la herramienta. Mantenga limpia el área del ventilador para obtener un desempeño mejor y más seguro. Siga las instrucciones para un correcto mantenimiento.
- No intente despejar las obstrucciones de la herramienta sin antes retirar el paquete de baterías.
- **Guarde estas instrucciones.** Consúltelas con frecuencia y empléelas para instruir a otras personas que puedan utilizar esta herramienta. Si presta a alguien esta herramienta, facilítele también las instrucciones.












GUARDE ESTAS INSTRUCCIONES

SÍMBOLOS

Las siguientes palabras de señalización y sus significados tienen el objeto de explicar los niveles de riesgo relacionados con este producto.

SÍMBOLO	SEÑAL	SIGNIFICADO
	PELIGRO:	Indica una situación peligrosa, la cual, si no se evita, causará la muerte o lesiones serias.
	ADVERTENCIA:	Indica una situación peligrosa, la cual, si no se evita, podría causar la muerte o lesiones serias.
	PRECAUCIÓN:	Indica una situación peligrosa, la cual, si no se evita, podría causar lesiones menores o leves.
	AVISO:	(Sin el símbolo de alerta de seguridad) Indica la información que se considera importante, pero no relacionada con lesiones potenciales (por ej. en relación a daños a la propiedad).

Es posible que se empleen en este producto algunos de los siguientes símbolos. Le suplicamos estudiarlos y aprender su significado. Una correcta interpretación de estos símbolos le permitirá utilizar mejor y de manera más segura el producto.

SÍMBOLO	NOMBRE	DENOMINACIÓN/EXPLICACIÓN
	Alerta de seguridad	Indica un peligro posible de lesiones personales.
	Lea el manual del operador	Para reducir el riesgo de lesiones, el usuario debe leer y comprender el manual del operador antes de usar este producto.
	Protección para los ojos y oídos	Siempre póngase protección ocular con protección lateral con la marca de cumplimiento de la norma ANSI Z87.1 junto con protección auditiva.
	Hojas del impulsor	Las hojas giratorias del impulsor pueden causar graves lesiones
	Alerta de condiciones húmedas	No exponga la batería, el compartimento de la batería o componentes electrónicos a la lluvia, el agua o líquidos. No exponga la producto a la lluvia o a lugares húmedos, ni cargue la batería en esas condiciones.
	Mantenga alejadas a las personas presentes	Mantenga a los circunstantes a una distancia mínima de 15 m (50 pies).
	Cabello largo	Si no mantiene el cabello largo lejos de la entrada de aire, puede producirse lesiones.
	Tubo de la aspiradora de hojas	No utilice la unidad sin el tubo montados en su lugar.
	Ropa holgada	Si no impide que la entrada de aire succione la ropa holgada, Tpuede producirse lesiones.
	Rebote	Cualquier objeto lanzado puede rebotar y producir lesiones personales o daños materiales.
	Símbolo de reciclado	Este producto contiene baterías de iones de litio (Li-ion). Es posible que algunas leyes municipales, estatales o federales prohíban desechar las baterías en la basura normal. Consulte a las autoridades reguladoras de desechos para obtener información en relación con las alternativas de reciclado y desecho disponibles.

SÍMBOLOS

Es posible que se empleen en este producto algunos de los siguientes símbolos. Le suplicamos estudiarlos y aprender su significado. Una correcta interpretación de estos símbolos le permitirá utilizar mejor y de manera más segura el producto.

SÍMBOLO	NOMBRE	DENOMINACIÓN/EXPLICACIÓN
V	Volts	Voltaje
min	Minutos	Tiempo
—	Corriente continua	Tipo o característica de corriente
n_0	Velocidad en vacío	Velocidad de rotación, en vacío
.../min	Por minuto	Revoluciones, carreras, velocidad superficial, órbitas, etc., por minuto

CARACTERÍSTICAS

ESPECIFICACIONES DEL PRODUCTO

Motor 40 V, corr. cont.
Selector de velocidad variable Bajo/alto variable

FAMILIARÍCESE CON LA ASPIRADORA DE HOJAS

Vea la figura 1.

Para usar este producto con la debida seguridad, se debe comprender la información indicada en la herramienta misma y en este manual, y se debe comprender también el trabajo que intenta realizar. Antes de usar este producto, familiarícese con todas las características de funcionamiento y normas de seguridad del mismo.

BOLSA DE RECOLECCIÓN DE HOJAS

La bolsa de recolección de hojas con cierre es fácil de quitar y vaciar.

TUBOS DE LA ASPIRADORA DE HOJAS

Los tubos de la aspiradora de hojas se ensamblan sin tener que usar herramientas.

SELECTOR DE VELOCIDAD VARIABLE

El selector de velocidad variable, ubicado para su conveniencia en el mango de la herramienta, controla la velocidad de la aspiradora.

OPERACIÓN CON RUEDAS

El conjunto de las ruedas se coloca en el tubo inferior de la aspiradora y puede ajustarse según la preferencia del usuario.

ARMADO

DESEMPAQUETADO

Este producto requiere armado.

- Extraiga cuidadosamente de la caja, el producto y los accesorios. Asegúrese de que estén presentes todos los artículos enumerados en la **Lista de empaquetado**.

ADVERTENCIA:

No utilice este producto si alguna pieza incluida en la **Lista de empaquetado** ya está ensamblada al producto cuando lo desempaqueta. El fabricante no ensambla las piezas de esta lista en el producto. Éstas deben ser instaladas por el usuario. El uso de un producto que puede haber sido ensamblado de forma inadecuada podría causar lesiones personales graves.

- Inspeccione cuidadosamente el producto para asegurarse de que no haya sufrido ninguna rotura o daño durante el transporte.
- No deseche el material de empaquetado hasta que haya inspeccionado cuidadosamente el producto y la haya utilizado satisfactoriamente.
- Si hay piezas dañadas o faltantes, le suplicamos llamar al 1-800-860-4050, donde le brindaremos asistencia.

LISTA DE EMPAQUETADO

Carcasa de la aspiradora de hojas
Tubo superior de la aspiradora
Tubo inferior de la aspiradora
Conjunto de las ruedas
Bolsa de recolección de hojas
Manual del operador

ADVERTENCIA:

Si hay piezas dañadas o faltantes, no utilice esta producto sin haber reemplazado todas las piezas. Usar este producto con partes dañadas o faltantes puede causar lesiones serias al operador.

ADVERTENCIA:

No intente modificar este producto ni hacer accesorios no recomendados para la misma. Cualquier alteración o modificación constituye maltrato, el cual puede causar una condición peligrosa y como consecuencia, posibles lesiones corporales serias.

ADVERTENCIA:

Para evitar un arranque accidental que podría causar lesiones corporales serias, siempre desmonte de la herramienta el paquete de baterías al montarle piezas a aquélla.

ADVERTENCIA:

Las hojas giratorias del impulsor podrían causar lesiones severas. Detenga siempre el motor, quite la batería y asegúrese de que las hojas del impulsor hayan dejado de girar antes de quitar la cubierta de entrada, o instalar o cambiar los tubos. No coloque las manos ni ningún otro objeto en los tubos de la aspiradora cuando estén instalados en la unidad. Si no sigue estas instrucciones, podría sufrir lesiones personales graves.

ADVERTENCIA:

Verifique que todas las protecciones y los tubos estén en su lugar ante de usar. Si la aspiradora de hojas se cae, detenga su funcionamiento y verifique que no se hayan producido daños. Si alguna protección, pieza o tubo se dañó o falta, no use la aspiradora de hojas hasta que haya sido reparada por un centro de servicio calificado. Usar la aspiradora de hojas con protecciones, piezas o tubos dañados o faltantes puede causar lesiones personales graves o mayores daños a la aspiradora de hojas.

CÓMO ENSAMBLAR LOS TUBOS DE LA ASPIRADORA

Vea las figuras 2 y 3.

- Afloje el tornillo de mariposa que está sobre la salida de la carcasa de la aspiradora.
- El tornillo de bloqueo del orificio inferior está preinstalado y funciona a resorte. Hará un sonido de clic al insertar completamente el tubo superior de la aspiradora.
- Empuje el tubo superior en la salida de la carcasa de la aspiradora.
- Ajuste con seguridad el tornillo de mariposa.
NOTA: El tornillo de mariposa debe estar completamente ajustado; de lo contrario, la aspiradora no arrancará. Esto evita arranques accidentales cuando el tubo no está instalado.
- Alinee las orejetas del tubo inferior con las ranuras del tubo superior. Empuje el tubo inferior hacia dentro hasta que encaje.

ARMADO

INSTALACIÓN DEL CONJUNTO DE LAS RUEDAS

Vea la *figure 4*.

- Deslice el conjunto de las ruedas en el tubo inferior como se muestra en la imagen, con las ruedas orientadas hacia el extremo del tubo.
- Presione la orejeta del conjunto de las ruedas y deslícela hacia arriba o hacia abajo para ajustar su posición según la preferencia del usuario.

COLOCACIÓN DE LA BOLSA DE RECOLECCIÓN DE HOJAS

Vea la *figure 5*.

- Deslice la abertura de la bolsa sobre la abertura inferior curvada de la carcasa.
- Enganche la bolsa en la parte trasera de la base de la carcasa.
- Empuje la abertura de la bolsa hacia delante hasta que quede conectada a la parte frontal de la base de la carcasa y la orejeta encaje para asegurar la bolsa a la carcasa.
- Deslice la orejeta de extremo abierto en el gancho del tubo superior para ajustar la bolsa al tubo.

FUNCIONAMIENTO

ADVERTENCIA:

No permita que su familiarización con las aspiradora de hojas lo vuelva descuidado. Tenga presente que un descuido de un instante es suficiente para causar una lesión grave.

ADVERTENCIA:

Siempre póngase protección ocular con protección lateral con la marca de cumplimiento de la norma ANSI Z87.1 junto con protección auditiva. La inobservancia de esta advertencia puede causar el lanzamiento de objetos hacia los ojos y otras lesiones graves.

ADVERTENCIA:

No utilice ningún aditamento o accesorio no recomendado por el fabricante de esta aspiradora de hojas. El empleo de aditamentos o accesorios no recomendados podría causar lesiones serias.

AVISO:

Antes de cada uso, inspeccione todo el producto para ver si detecta daños, o piezas faltantes o flojas, como tornillos, arandelas, mangueras, pernos, tapas, etc. Ajuste bien todos los tornillos y tapas, y no ponga en funcionamiento el producto hasta reemplazar todas las piezas faltantes o dañadas. Comuníquese con el departamento de atención al cliente o con un centro de servicio autorizado para obtener ayuda.

USOS

Esta aspiradora de hojas puede emplearse para los fines enumerados abajo:

- Limpiar hojas y otra suciedad en el césped
- Mantener los pisos y las entradas libres de recortes de hierba, hojas, agujas de pino y otra suciedad

Para obtener instrucciones específicas de carga, lea el manual del operador que se incluye con el cargador y la batería.

PARA DESMONTAR Y MONTAR EL PAQUETE DE BATERÍAS

Vea la *figura 6*.

ADVERTENCIA:

Retire siempre el paquete de baterías de la herramienta antes de instalar las piezas, realizar ajustes, limpiarla o cuando no la utilice. Retirar el paquete de baterías evitará que la unidad se accione accidentalmente y provoque lesiones graves.

Para conectar:

- Coloque el paquete de baterías en la aspiradora de hojas. Alinee la costilla realizada exterior del paquete de baterías con la ranura interior del receptáculo para baterías de aspiradora de hojas.

ADVERTENCIA:

Asegúrese de que la traba de la parte inferior del paquete de baterías quede insertada en su lugar y que el paquete de baterías esté totalmente asentado y firme antes de poner la máquina en funcionamiento. No asentar el paquete de baterías correctamente podría provocar que el paquete de baterías se caiga y cause lesiones personales graves.

FUNCIONAMIENTO

AVISO:

Al colocar el paquete de baterías en la herramienta, asegúrese que la costilla realzada del mismo quede alineada con la parte inferior de la herramienta y de que los pestillos entren adecuadamente en su lugar. Si no se instala debidamente el paquete de baterías pueden dañarse los componentes internos.

Para el desmontaje:

- Localice el pestillo situados de la parte inferior del paquete de baterías y oprímalos en para liberar éste de la aspiradora de hojas.

ENCENDIDO Y APAGADO DE LA ASPIRADORA DE HOJAS

Vea la figura 7.

- Para arrancar la aspiradora de hojas, oprima el gatillo del interruptor.
- Para detener la aspiradora de hojas, suelte el gatillo del interruptor.

⚠ ADVERTENCIA:

Las herramientas de baterías siempre están en condiciones de funcionamiento. Por lo tanto, siempre debe estar asegurado el interruptor cuando no esté usándose o el operador lo lleve por un lado. Retire el paquete de baterías al transportar o trasladar la aspiradora de hojas a fin de evitar arranques accidentales que podría causar lesiones serias.

⚠ ADVERTENCIA:

Nunca use la unidad sin los tubos o la bolsa de la aspiradora de hojas instalados. El uso de una unidad ensamblada de manera inapropiada podría resultar en lesiones personales graves.

CONTROL DE ALIMENTACIÓN TURBO

Vea la figura 7.

- Mientras está presionado el gatillo del interruptor, presione la alimentación turbo para incrementar el caudal de aire hasta la velocidad máxima.

FUNCIONAMIENTO DE LA ASPIRADORA DE HOJAS

Vea la figura 8.

- Las ruedas funcionan mejor cuando se usan en una superficie plana, como un piso de concreto o la acera.
- La aspiradora está diseñada para levantar hojas. Tenga cuidado de no aspirar ramas grandes. No aspire hojas húmedas.
- Para reducir el nivel de ruido, limite a uno el número de equipos utilizados a la vez.
- Después de utilizar sopladores o cualquier otro equipo, ¡LIMPIE! Deseche de forma adecuada los desechos.

CÓMO VACIAR LA BOLSA DE RECOLECCIÓN DE HOJAS

Vacíe periódicamente la bolsa de recolección de hojas para lograr el mejor rendimiento de la unidad y evitar que la bolsa pese demasiado.

La solapa que cubre el área del cierre queda sujeta con un material adherente.

- Quite el paquete de baterías.
- Quite la bolsa de recolección de hojas.
- Abra la solapa.
- Agarre de la franja para tirar del cierre y tire hacia abajo.
- Deseche el contenido de forma apropiada.
- Cierre los cierres y la solapa.
- Vuelva a colocar la bolsa de recolección de polvo.
- Vuelva a instalar el paquete de baterías.

CÓMO REVISAR SI HAY OBSTRUCCIONES

Si la aspiradora de hojas parece perder potencia de succión, revise los tubos para ver si hay obstrucciones.

- Quite el paquete de baterías.
- Afloje el tornillo de mariposa que sostiene el tubo superior.
- Tire del tornillo de bloqueo para liberar el tubo superior.
- Quite la suciedad o las hojas de los tubos y el área de la carcasa.

MANTENIMIENTO

ADVERTENCIA:

Para evitar lesiones corporales serias, siempre retire el paquete de baterías de la herramienta al limpiarla o darle mantenimiento.

ADVERTENCIA:

Siempre póngase protección ocular con protección lateral con la marca de cumplimiento de la norma ANSI Z87.1 junto con protección auditiva. Si no cumple esta advertencia, los objetos que salen despedidos pueden producirle lesiones serias en los ojos.

ADVERTENCIA:

Al dar servicio a la unidad, sólo utilice piezas de repuesto idénticas. El empleo de piezas diferentes puede causar un peligro o dañar el producto.

ADVERTENCIA:

Nunca use agua ni otros líquidos para limpiar o enjuagar la product y no exponga la unidad a la lluvia ni de condiciones húmedas. Almacene la unidad en el interior en un lugar seco. Los líquidos corrosivos, el agua, y los productos químicos pueden ingresar los componentes eléctricos del producto y/o al compartimiento de la batería y dañar los componentes eléctricos o el paquete de la batería, lo que podría resultar en un corto circuito, mayor riesgo de incendio y lesiones personales graves. Retire la acumulación de suciedad y los residuos limpiando el producto con un trapo seco de manera ocasional.

AVISO:

Vacíe e inspeccione todo el producto para ver si detecta daños, o piezas faltantes o flojas, como tornillos, arandelas, mangueras, pernos, tapas, etc. Ajuste bien todos los tornillos y tapas, y no ponga en funcionamiento el producto hasta reemplazar todas las piezas faltantes o dañadas. Comuníquese con el departamento de atención al cliente o con un centro de servicio cualificado para obtener ayuda.

MANTENIMIENTO GENERAL

Evite el empleo de solventes al limpiar piezas de plástico. La mayoría de los plásticos son susceptibles a diferentes tipos de solventes comerciales y pueden resultar dañados. Utilice paños limpios para eliminar la suciedad, el polvo, el aceite, la grasa, etc.

ADVERTENCIA:

No permita en ningún momento que fluidos para frenos, gasolina, productos a base de petróleo, aceites penetrantes, etc., lleguen a tocar las piezas de plástico. Las sustancias químicas pueden dañar, debilitar o destruir el plástico, lo cual a su vez puede producir lesiones corporales serias.

ALMACENAMIENTO

- Limpie toda materia extraña presente en la aspiradora de hojas.
- Almacene la unidad en el interior, inaccesible a los niños. Evite que la unidad entre en contacto con agentes corrosivos como las sustancias químicas para el jardín y las sales para derretir el hielo.
- No cuelgue la unidad de una manera que el gatillo quede presionado.

Este producto tiene una garantía limitada de cinco años para fines personales, familiares o domésticos (90 días para usos trabajo o comercial). Para obtener detalles sobre la garantía, diríjase a www.ryobitools.com o llame sin cargo al 1-800-860-4050.



OPERATOR'S MANUAL
MANUEL D'UTILISATION / MANUAL DEL OPERADOR
40 VOLT LEAF VACUUM
ASPIRATOR 40 V / ASPIRADORA DE 40 V
RY40405/RV40405VN/RV40405VNM

• **PARTS AND SERVICE:** Prior to requesting service or purchasing replacement parts, please obtain your item, manufacturing, and serial numbers from the product data plate.

ITEM NO. _____

MANUFACTURING NO. _____

SERIAL NO. _____

HOW TO OBTAIN REPLACEMENT PARTS: Replacement parts can be purchased online at www.ryobitools.com or by calling 1-800-860-4050. Replacement parts can also be obtained at one of our service centers.

HOW TO LOCATE A SERVICE CENTER: Service centers can be located online at www.ryobitools.com or by calling 1-800-860-4050.

HOW TO OBTAIN CUSTOMER OR TECHNICAL SUPPORT: To obtain customer or technical support please contact us at 1-800-860-4050.

RYOBI is a registered trademark of Ryobi Limited and is used pursuant to a license granted by Ryobi Limited.

• **PIÈCES ET SERVICE :** Avant de faire la demande de service ou l'achat de pièces de remplacement, veuillez obtenir le numéro d'article, le numéro de fabrication et le numéro de série à partir de la plaque de données du produit.

NUMÉRO D'ARTICLE _____

NUMÉRO DE FABRICATION _____

NUMÉRO DE SÉRIE _____

COMMENT OBTENIR LES PIÈCES DE REMPLACEMENT : Les pièces de remplacement peuvent être achetées en ligne sur le site www.ryobitools.com ou par téléphone au 1-800-860-4050. Les pièces de remplacement peuvent être obtenues à un de nos centres de service.

COMMENT TROUVER UN CENTRE DE SERVICE : Les centres de service peuvent être localisés en ligne au www.ryobitools.com ou en téléphonant au 1-800-860-4050.

COMMENT OBTENIR DE L'AIDE EN CONTACTANT LE SERVICE À LA CLIENTÈLE : Pour contacter le service à la clientèle pour une question technique ou pour tout autre renseignement, veuillez nous téléphoner au 1-800-860-4050.

RYOBI est une marque déposée de Ryobi Limited et est utilisée en vertu d'une licence accordée par Ryobi Limited.

• **PIEZAS DE REPUESTO Y SERVICIO:** Antes de solicitar servicio técnico o comprar piezas de repuesto, obtenga su número de artículo, el número de fabricación y el número de serie de la placa de datos del producto.

NÚMERO DE ARTÍCULO _____

NÚMERO DE FABRICACIÓN _____

NÚMERO DE SERIE _____

CÓMO OBTENER PIEZAS DE REPUESTO: Las piezas de repuesto se pueden comprar en nuestro sitio en la red mundial, en la dirección www.ryobitools.com o llamando al 1-800-860-4050. Las piezas de repuesto también se pueden obtener en uno de nuestros centros de servicio.

CÓMO LOCALIZAR UN CENTRO DE SERVICIO: Puede encontrar los centros de servicio visitando nuestro sitio en la red mundial, en la dirección www.ryobitools.com or by calling 1-800-860-4050.

CÓMO OBTENER SERVICIO O ASISTENCIA TÉCNICA AL CONSUMIDOR: Para obtener servicio o asistencia técnica al consumidor, sírvase comunicarse con nosotros llamando al 1-800-860-4050.

RYOBI es una marca registrada de Ryobi Limited y se utiliza conforme a una licencia otorgada por Ryobi Limited.

TECHTRONIC INDUSTRIES POWER EQUIPMENT

P.O. Box 1288, Anderson, SC 29622, USA
1-800-860-4050 • www.ryobitools.com