

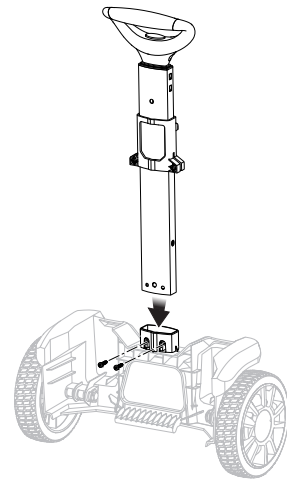
RY40306 QUICK REFERENCE GUIDE

⚠ WARNING:

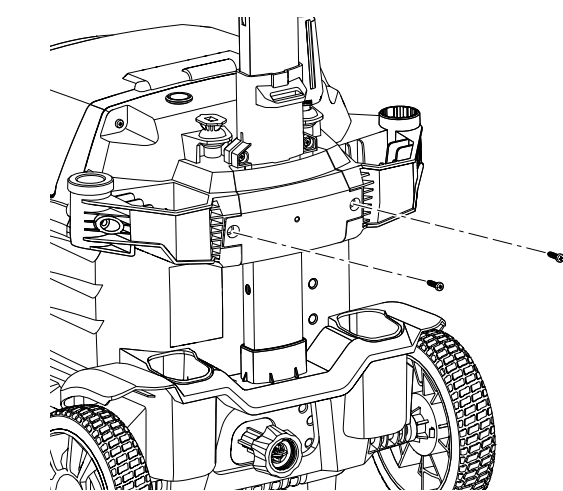
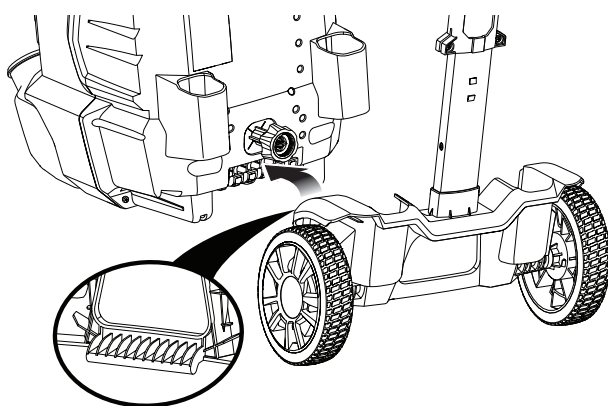
This Quick Reference Guide is not a substitute for reading the operator's manual. To reduce the risk of injury or death, user must read and understand operator's manual before using this product. All page references refer to the operator's manual.

FIRST TIME ASSEMBLY

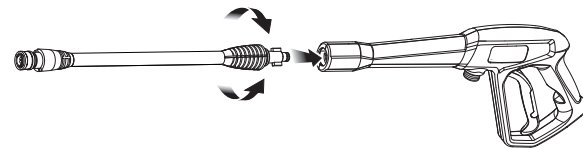
1 Attaching the handle to the wheel assembly (see page 7).



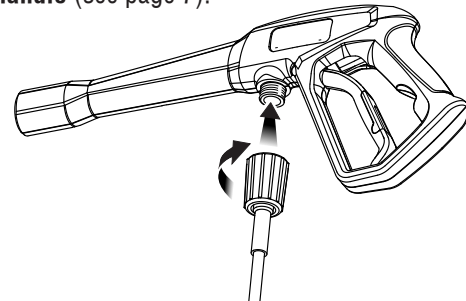
2 Install the handle and wheel assembly to the pressure washer. (see page 7).



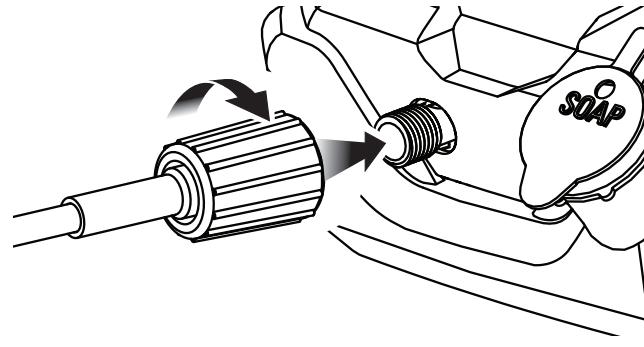
3 Connect the spray wand to the trigger handle (see page 7).



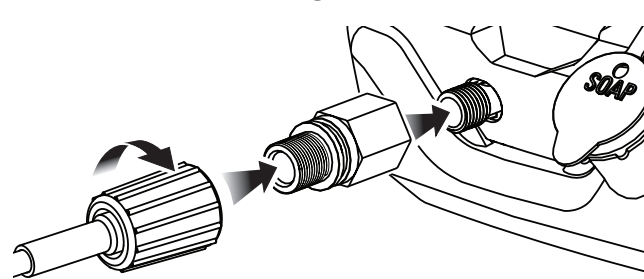
4 Connect the high pressure hose to the trigger handle (see page 7).



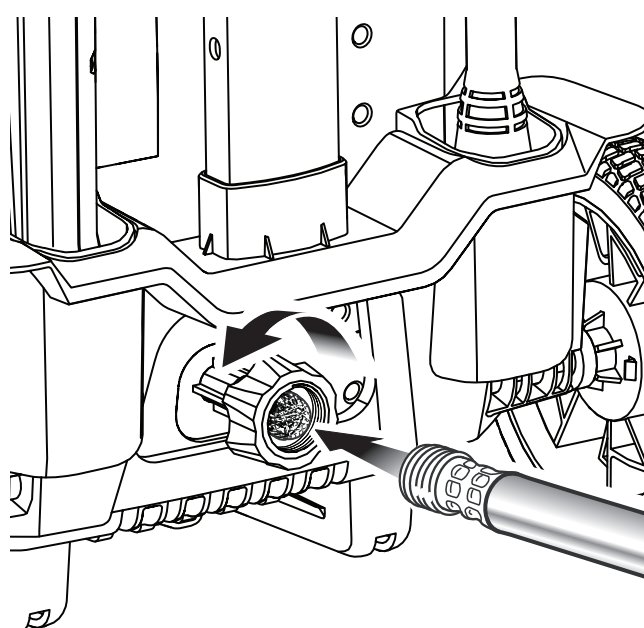
5 Connect the high pressure hose to the pump. If connecting to a non-pressurized water source, install the self priming adaptor. (see page 7).



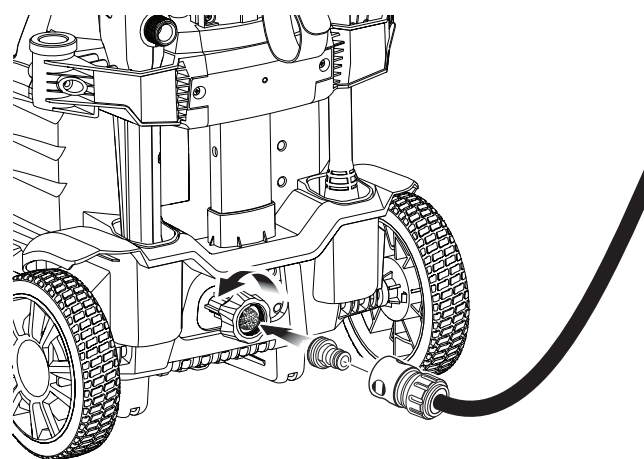
OR



6 Connect the garden hose or the siphon hose to the pressure washer (see page 8).



OR



Completely uncoil garden hose or remove completely from reel to prevent kinks.

Turn water faucet on fully or place siphon hose into water source.

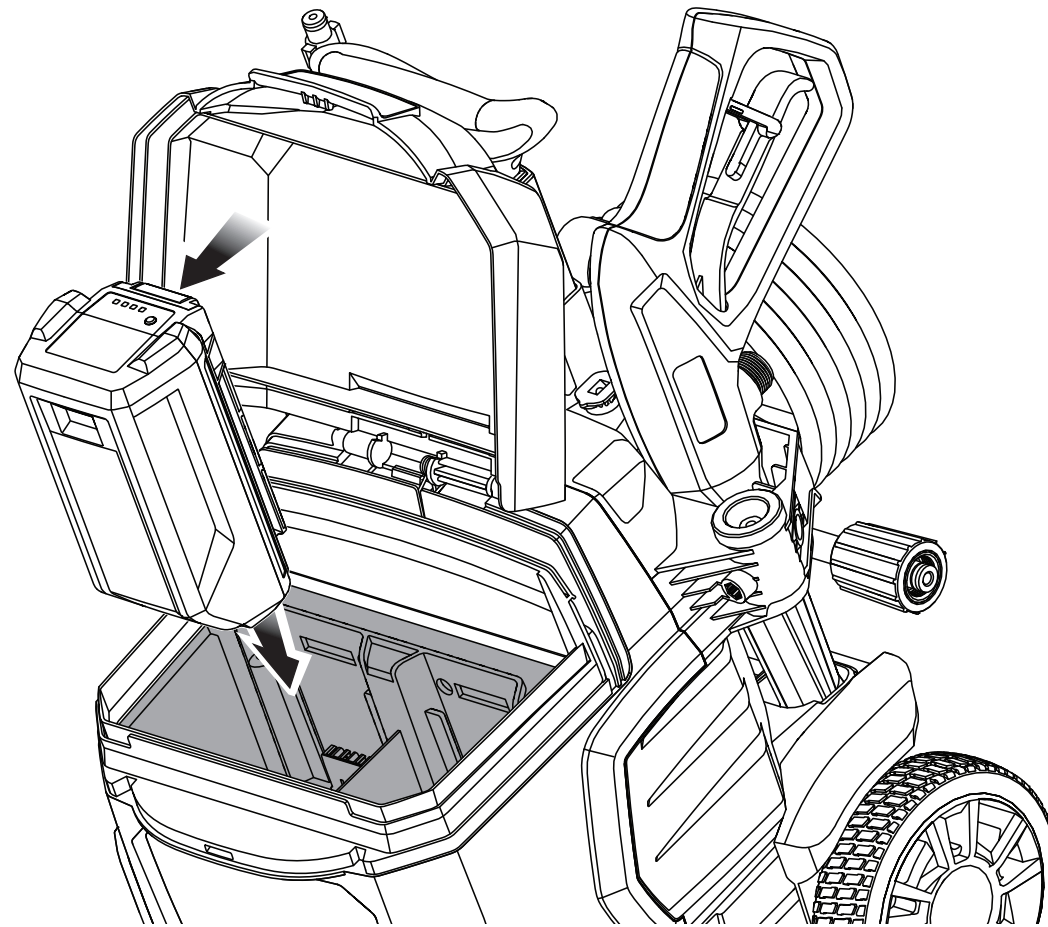
Make sure there are no leaks.

With no nozzle installed, squeeze the trigger to relieve air pressure. Hold the trigger until a steady stream of water appears.

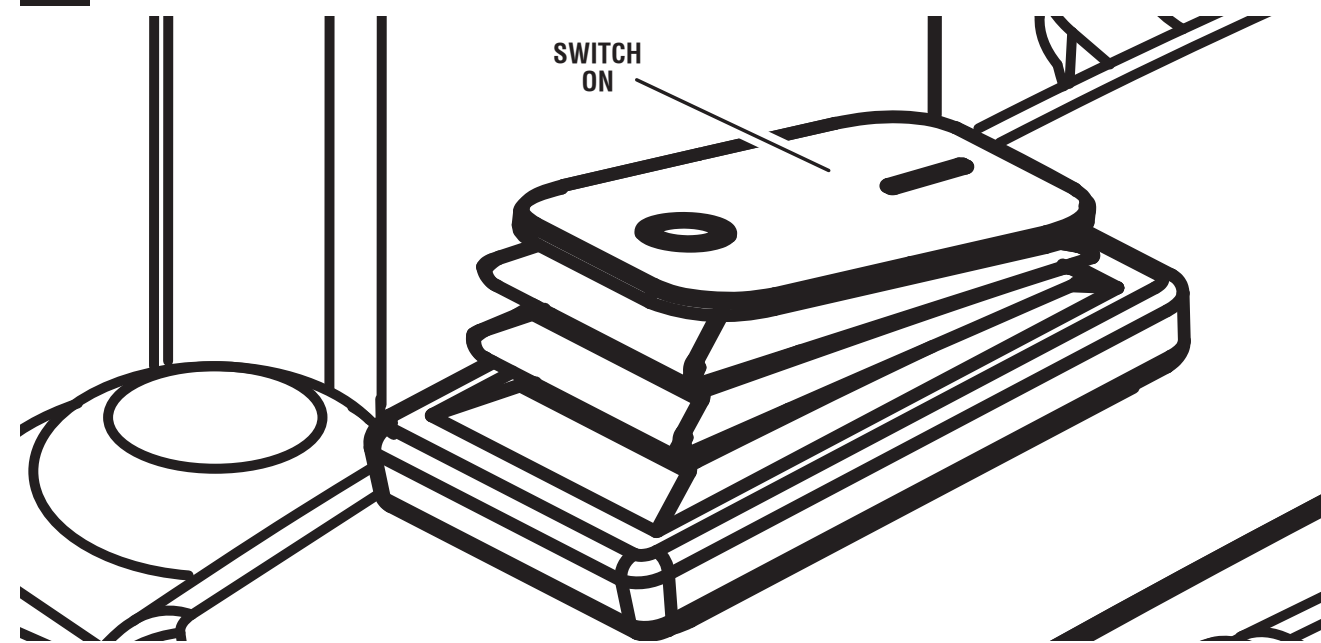
STARTING THE UNIT

NOTE: For the first use or if the unit has been stored for a long period of time, it is recommended to use a pressurized connection with a garden hose to help prime the unit before attempting to connect to a siphon hose.

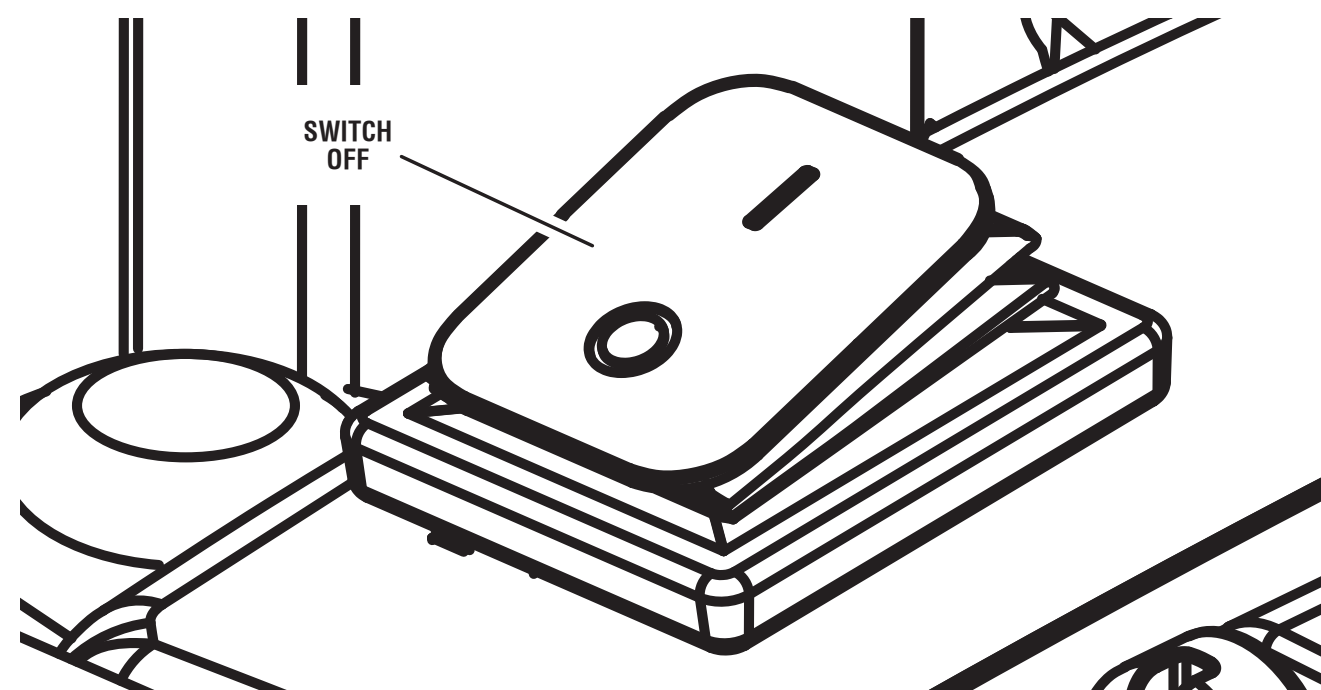
1 Install the battery pack(s) into the pressure washer (see page 9).



2 Press switch ON to start the motor (see page 9).



3 When finished, press switch OFF to stop the motor (see page 9).



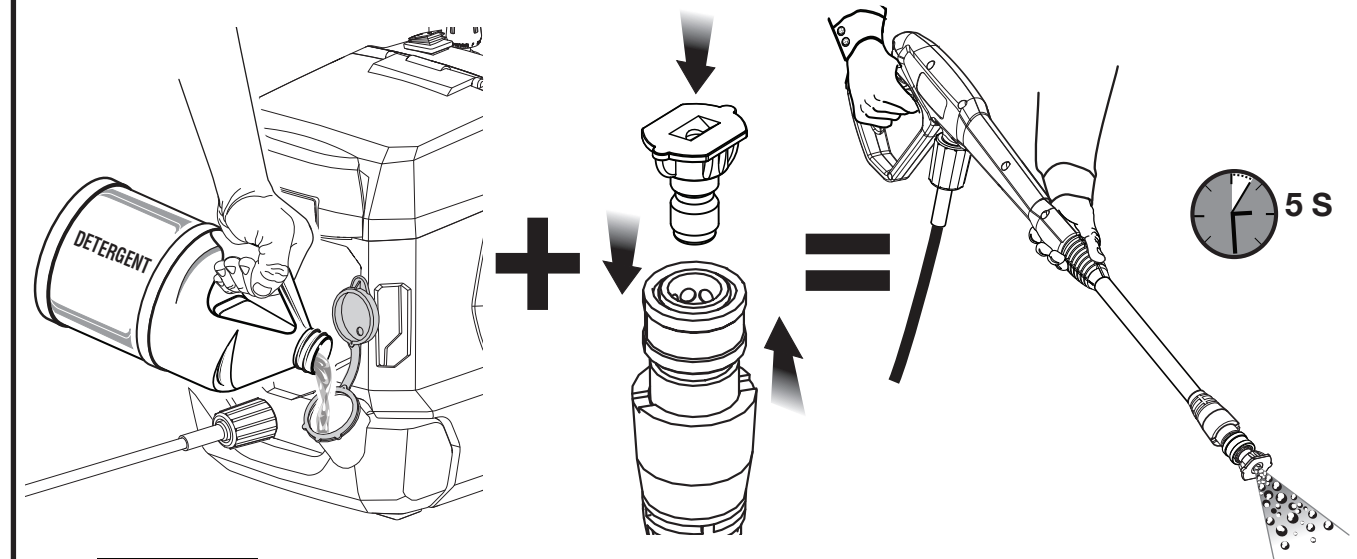
There may be residual water in the pump due to performance testing.

USING DETERGENT

1 Pour pressure washer detergent in soap tank (see page 11).

2 Install blue or black soap nozzle (see page 11).

3 Squeeze trigger and wait approx. 5 seconds for soap (see page 11).



Use of soap nozzle will activate detergent injector at a 20:1 dilution ratio.
WARNING! Never use bleach or solvent-based detergent.
 • Will damage your pump
 • Will void your warranty
 • Will damage plants/shrubs

NOZZLE SELECTION GUIDE

Use the chart below to determine the correct nozzle for your job.

TURBO NOZZLE 15° SOAP	HIGH PRESSURE (NO SOAP WHEN USING THESE NOZZLES)		LOW PRESSURE (FOR SOAP OR GENTLE RINSE)
	Turbo Nozzle	15°	Blue or Black Soap Nozzle
ABRASIVE			
Concrete, Brick, Masonry	✓	✓	✓
Siding, Gutters, House		✓	✓
Fencing, Deck, Patio		✓	✓
Lawn Equipment, Boat, RV		✓	✓

✓ Recommended Nozzle
 ✓ Use With Caution for Certain Applications

BEFORE STORING THE UNIT

1 Always add Pump Protector to the unit after each use and before storing. This will significantly improve pump life. (See page 12)
 Pump protector is available from your local retailer. For further assistance, call customer service at 1-800-525-2579.
 To add, follow the instructions provided by the Pump Protector manufacturer.



Make the most of your purchase! Go to www.ryobitools.com and register your new tool online. For questions about operating or maintaining your product please call, 1-800-525-2579.

