

REPAIR SHEET

BRAND RYOBI		DESCRIPTION 40 Volt 20 in. Lawn Mower
MODEL NO. RY401018VNM	MFG. NO. 108674001	



TTI OUTDOOR POWER EQUIPMENT, INC.

P.O. Box 1288, Anderson, SC 29622 ■ 1-800-525-2579 ■ www.ryobitools.com

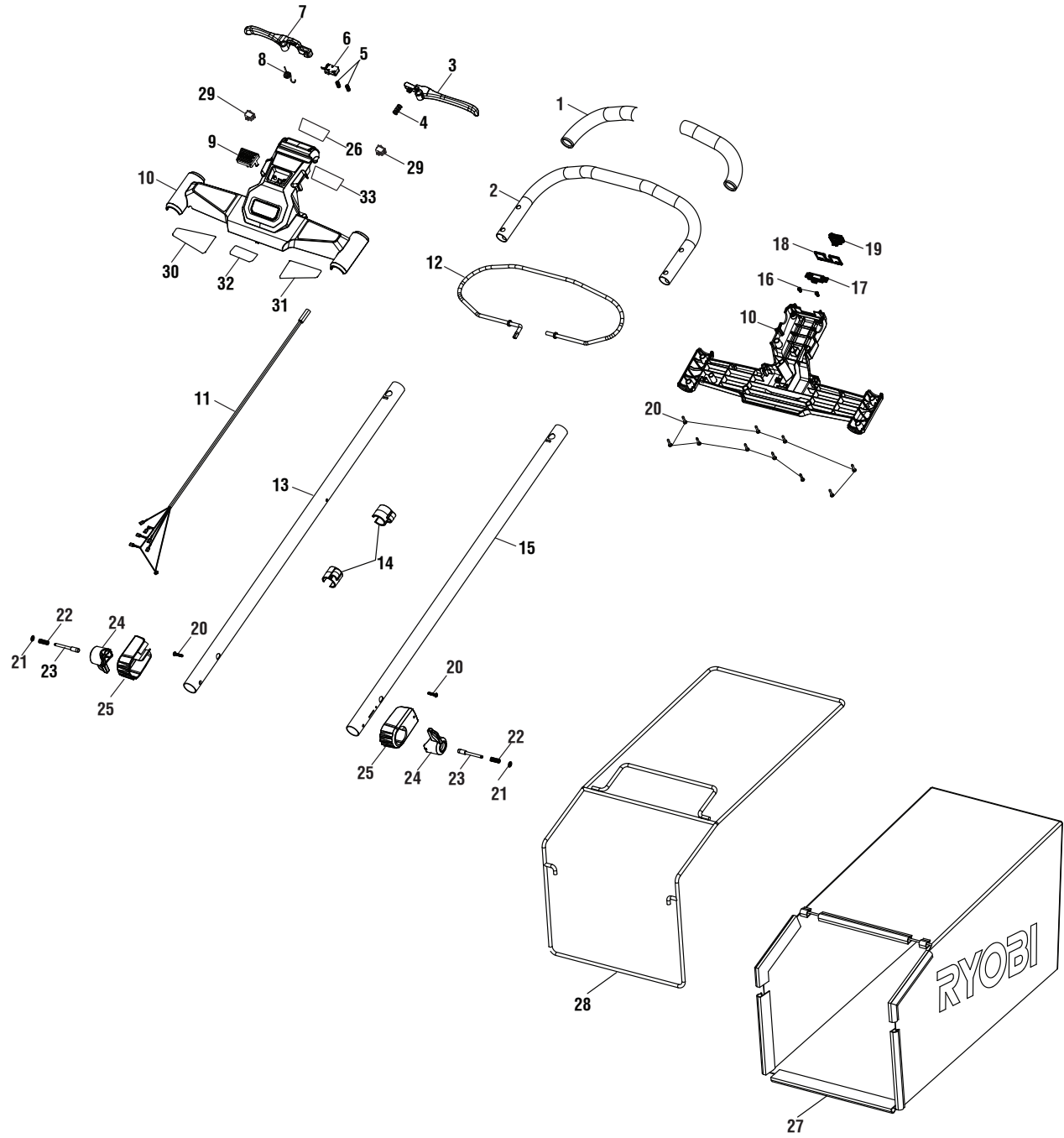
1-18-22 (Rev:01)

The model number and manufacturing location will be found on a label attached to the product. Always mention this information in all communications regarding this product and when ordering parts.



RY401018VNM

FIGURE A





RY401018VNM

PARTS LIST – FIGURE A

KEY NO.	PART NO.	DESCRIPTION	QTY.
1	566235001	Foam	2
2	699592001	Handle	1
3	544120001	Trigger Left	1
4	694218001	Trigger Spring	1
5	699704001	Spring	2
6	760689007	Micro On/Off Switch (15A)	1
	760689010	Micro On/Off Switch (6A)	1
7	544121001	Trigger (Right)	1
8	699605001	Bail Reset Spring	1
9	543975001	Start Button	1
10	205807001	Upper Handle Assembly (Inc. Key Nos. 30-34)	1
11	292329001	Wire Cord Assembly	1
12	699598001	Trigger	1
13	699650001	Lower Tube (Right)	1
14	544302001	Cord Retainer	2
15	699649001	Lower Tube (Left)	1
16	660203001	Screw (M3 x 8 mm)	2
17	270109001	Fully Variable Switch	1

KEY NO.	PART NO.	DESCRIPTION	QTY.
18	544717001	Dust Shield	1
19	532667001	Thumb Pad	1
20	661189003	Screw (M4 x 18 mm, T20 Torx Pan Hd.)	12
21	659472001	Retaining Ring	2
22	694490001	Detent Pin Spring	2
23	674293001	Detent Pin	2
24	543972001	Adjustment Knob	2
25	543971001	Adjustment Knob Bushing	2
26	940779411	Handle Speed Label	1
27	317926001	Grass Catcher	1
28	699601001	Grass Catcher Frame	1
29	760551001	Switch	2
30	940779420	Upper Handle Label (Left)	1
31	940705544	40v Ryobi Logo Label	1
32	940779419	Upper Handle Label (Right)	1
33	940779412	Starting Label	1
	Not Shown:		
	998000762	Operator's Manual	

**RY401018VNM****PARTS LIST – FIGURE B**

KEY NO.	PART NO.	DESCRIPTION	QTY.
1	311280001	Key Assembly	1
2	639118002	Blade Spacer Plate (Metal)	1
3	940779476	Start Key Label (SP)	1
4	205805001	Carry Handle (Inc. Key No. 64)	1
5	613717001	Door Magnet	1
6	205803001	Battery Cover (Inc. Key No. 58)	1
7	205806001	Top Housing (Inc. Key Nos. 54, 57, 61-63 & 67-69)	1
8	664004001	Screw (1/4-15 x .75 mm, T30 Torx Pan Hd.)	5
9	292305001	Inner Wire Between Transmission and Circuit Board Assembly	1
10	870601002	Connector	2
11	205809001	Front Fender (Inc. Key Nos. 57 & 60)	1
12	526912001	Key Connector Base	1
13	660608001	Screw (M4 x 12 mm, T20 Torx Pan Hd.)	2
14	292163001	Battery Holder And Wire Assembly	1
15	205802001	Rear Door (Inc. Key No. 59)	1
16	544164001	Mulching Plug	1
17	699832001	Rear Door Torque Spring	1
18	622946001	Rear Door Shaft	1
19	663149001	Screw w/Shoulder (M8 x 35.7 mm, T45 Torx Pan Hd.)	2
20	663155001	Screw (M6 x 64 mm, T30 Torx Pan Hd.)	6
21	680260001	E-Ring	1
22	674279001	Left Handle Bracket	1
23	656134001	Handle Bracket Nut Plate	1
24	513211001	Cord Clip	3
25	660608002	Screw (M4 x 16.5 mm, T20 Torx Pan Hd.)	4
26	656136001	Right Handle Bracket Nut	1
27	205808001	Deck (Inc. Key No. 55)	1
28	674280001	Right Handle Bracket	1
29	656663001	Height Adjustment Plate	1

KEY NO.	PART NO.	DESCRIPTION	QTY.
30	280582014	Drive Motor Controller 40v Self-Propelled Mower	1
31	699603001	Torsion Spring	1
32	622893001	Side Discharge Cover Shaft	1
33	205801001	Side Discharge (Inc. Key No. 65)	1
34	543958001	Side Discharge Chute	1
35	292140004	Mower Controller Assembly	1
	292140005	Mower Controller Assembly	1
36	663156001	Screw (M6 x 1 mm, T30 Torx Pan Hd.)	4
37	613427001	Motor Axle Bushing	1
38	544676001	Motor Fan Blade Adapter	1
39	656080003	Blade	1
40	526920003	Blade Spacer Plate (Plastic)	1
41	679075001	Hex Nut (M10 x 1.25 mm)	1
42	699702001	Trailing Sheet Rod	1
43	535475001	Trailing Sheet	1
44	695152001	Retention Spring	1
45	660004019	Screw (M3 x 12 mm, Pan Hd.)	2
46	205804001	Height Adjustment Knob Assembly	1
47	699669001	Torsion Spring	1
48	699604001	Height Adjustment Rod	1
49	661189003	Screw (M4 x 18 mm, T20 Torx Pan Hd.)	2
50	679044001	E-Ring	1
51	660925011	Screw (M4 x 8 mm)	2
52	790055001	Cable Tie	2
53	659472001	Retaining Ring	1
54	941588966	Data Label - TUV	1
	941588967	Data Label - UL	1
55	940779408	Deck Side Label	1
56	940779409	QR Code Label	1

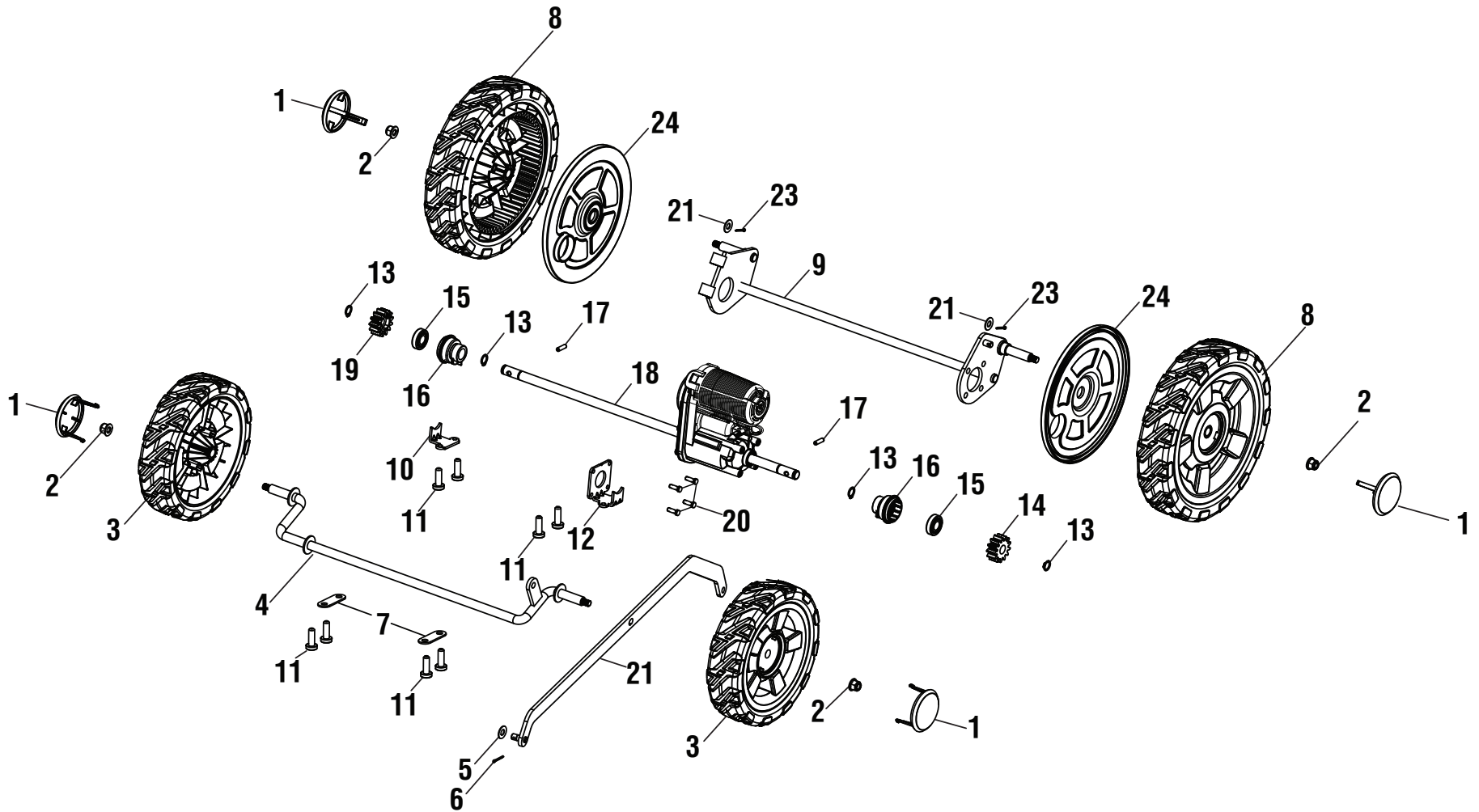


RY401018VNM

PARTS LIST – FIGURE B

KEY NO.	PART NO.	DESCRIPTION	QTY.
57	940779410	Push Front Bumper Label	1
58	940779395	Icon Label	1
59	940779396	Danger - Trilingual Label	1
60	940779398	3-In-1 Front Label	1
61	940779399	Battery Storage Label	1
62	940779402	Hero Brushless Logo Label	1

KEY NO.	PART NO.	DESCRIPTION	QTY.
63	940779403	Non-Hero Brushless Logo Label	1
64	940779400	Carry Handle Accent Label	1
65	941641001	Cpsc Hands Label	1
66	940705552	40v Ryobi Logo Label	1
67	940779503	Battery Wet Conditions Label	1
68	940779476	Start Key Label (SP)	1

FIGURE C



RY401018VNM

PARTS LIST – FIGURE C

KEY NO.	PART NO.	DESCRIPTION	QTY.
1	542861001	Wheel Hub Cap	4
2	678774012	Flange Nut (M8 X 1.25 mm)	4
3	317161004	8 in. Wheel	2
4	699599001	Front Wheel Axle	1
5	639013001	Flat Washer (ID 8.4 x OD18 x 1t)	2
6	678279004	Cotter Pin	2
7	639116012	Front Axle Press Plate	2
8	317159003	10 in. Wheel w/Bushing Assembly	2
9	699612001	Rear Wheel Axle	1
10	656321001	Rear Axle Mount Plate	1
11	664004001	Screw (1/4-15 x .75 mm, T30 Torx Pan Hd.)	8
12	656131001	Transmissions Mounting Plate	1

KEY NO.	PART NO.	DESCRIPTION	QTY.
13	690698001	Snap Ring	4
14	613239005	Left Gear	1
15	682164001	Ball Bearing	2
16	544086001	Rear Axle Bearing Cup	2
17	622068004	Gear Shaft	2
18	210605001	GT Transmissions Assembly	1
19	613239004	Right Gear	1
20	660927002	Screw (M5 x 14.5 mm, T20 Torx Pan Hd.)	4
21	656079001	Connecting Bar	1
22	639013001	Washer (ID8.4 x OD18 1t)	2
23	678279004	Cotter Pin	2
24	535046002	Wheel Cover	2

