

# REPAIR SHEET

BRAND

**RYOBI**

DESCRIPTION

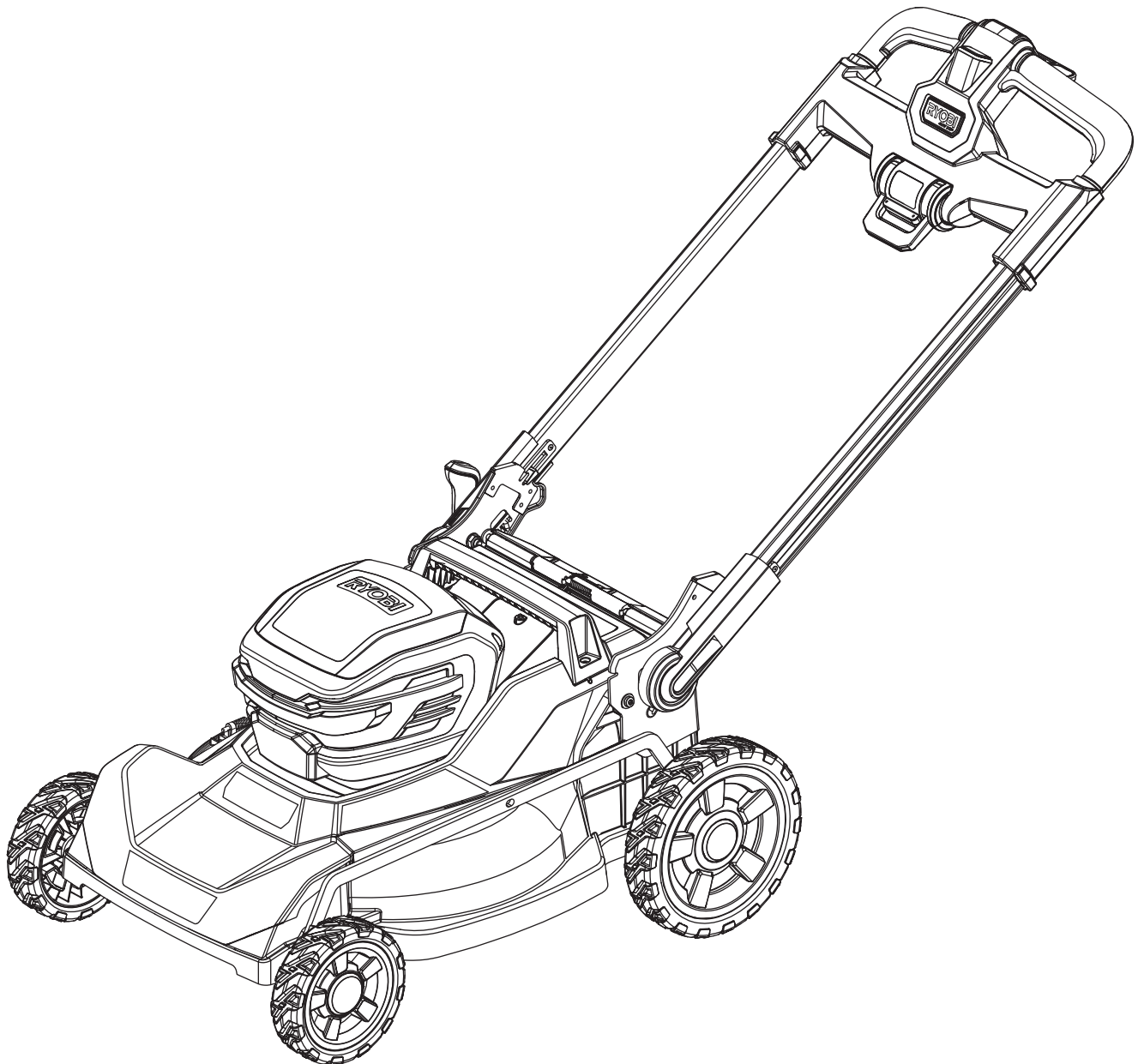
MODEL NO.

**RY401015US**

MFG. NO.

**107565001**

**40 Volt  
21 in. Lawn Mower**



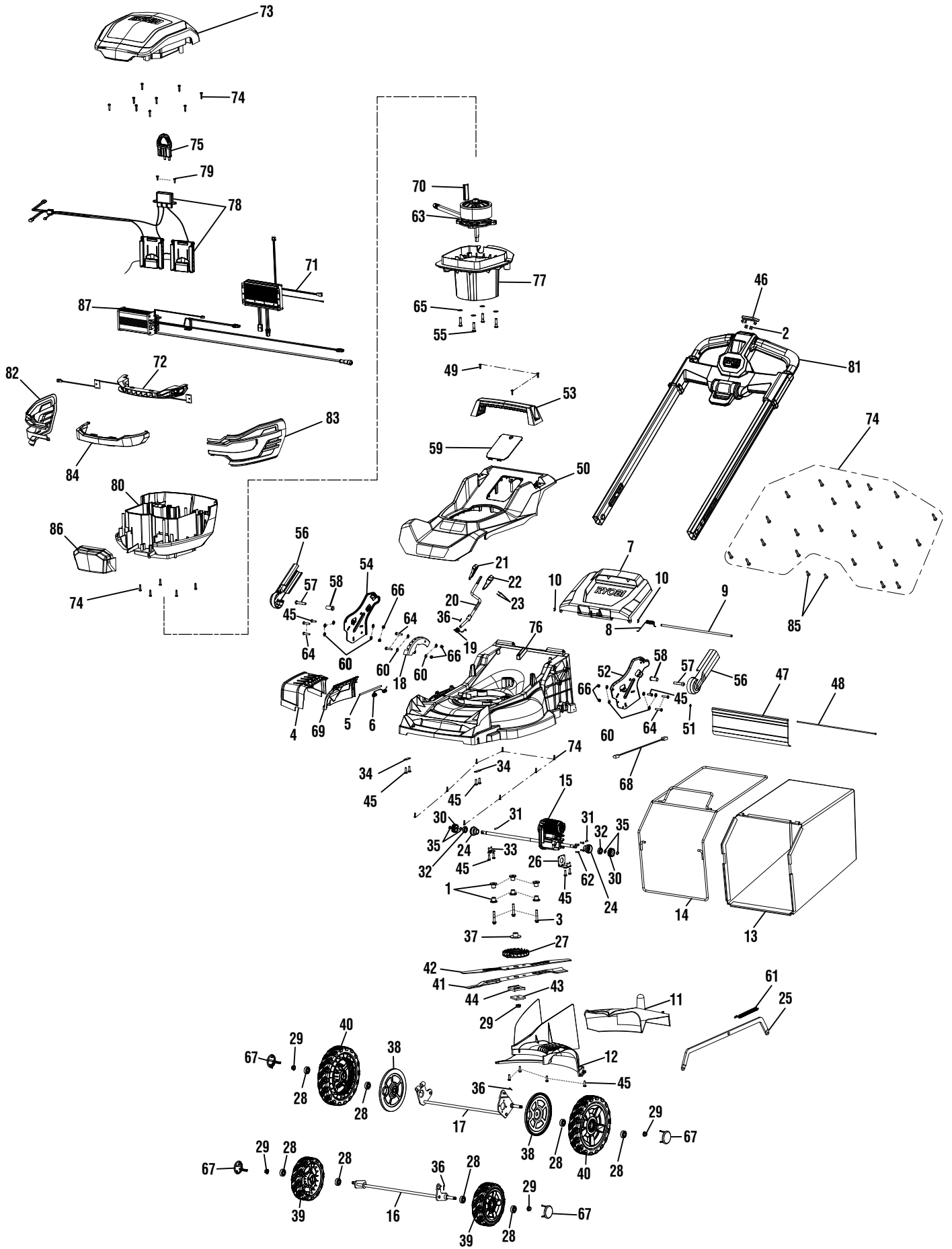
**TECHTRONIC INDUSTRIES POWER EQUIPMENT**

P.O. Box 1288, Anderson, SC 29622 ■ 1-800-525-2579 ■ [www.ryobitools.com](http://www.ryobitools.com)

4-19-21 (Rev:02)

*The model number and manufacturing location will be found on a label attached to the product. Always mention this information in all communications regarding this product and when ordering parts.*

# RYOBI RY401015US



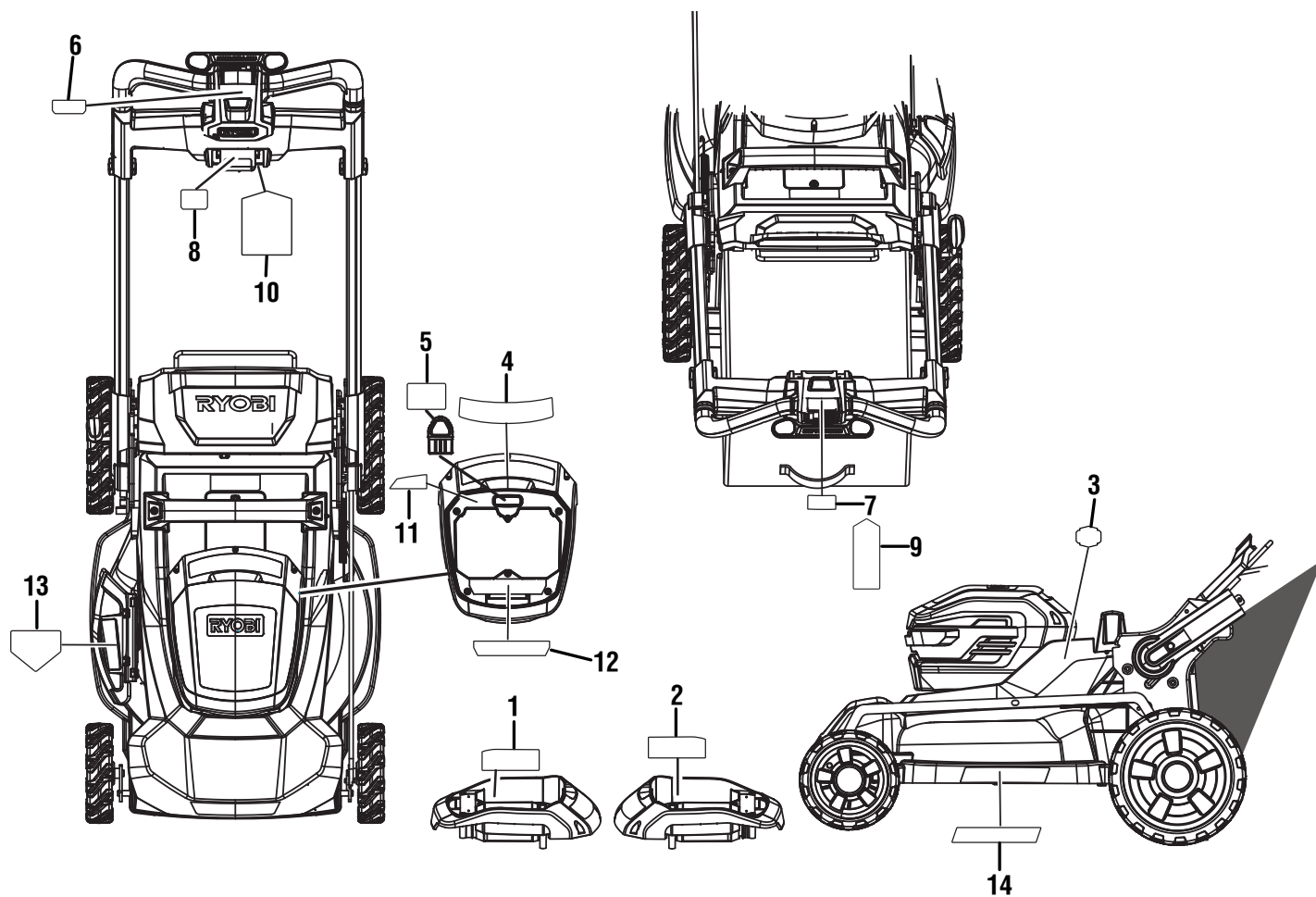


# RY401015US

## PARTS LIST

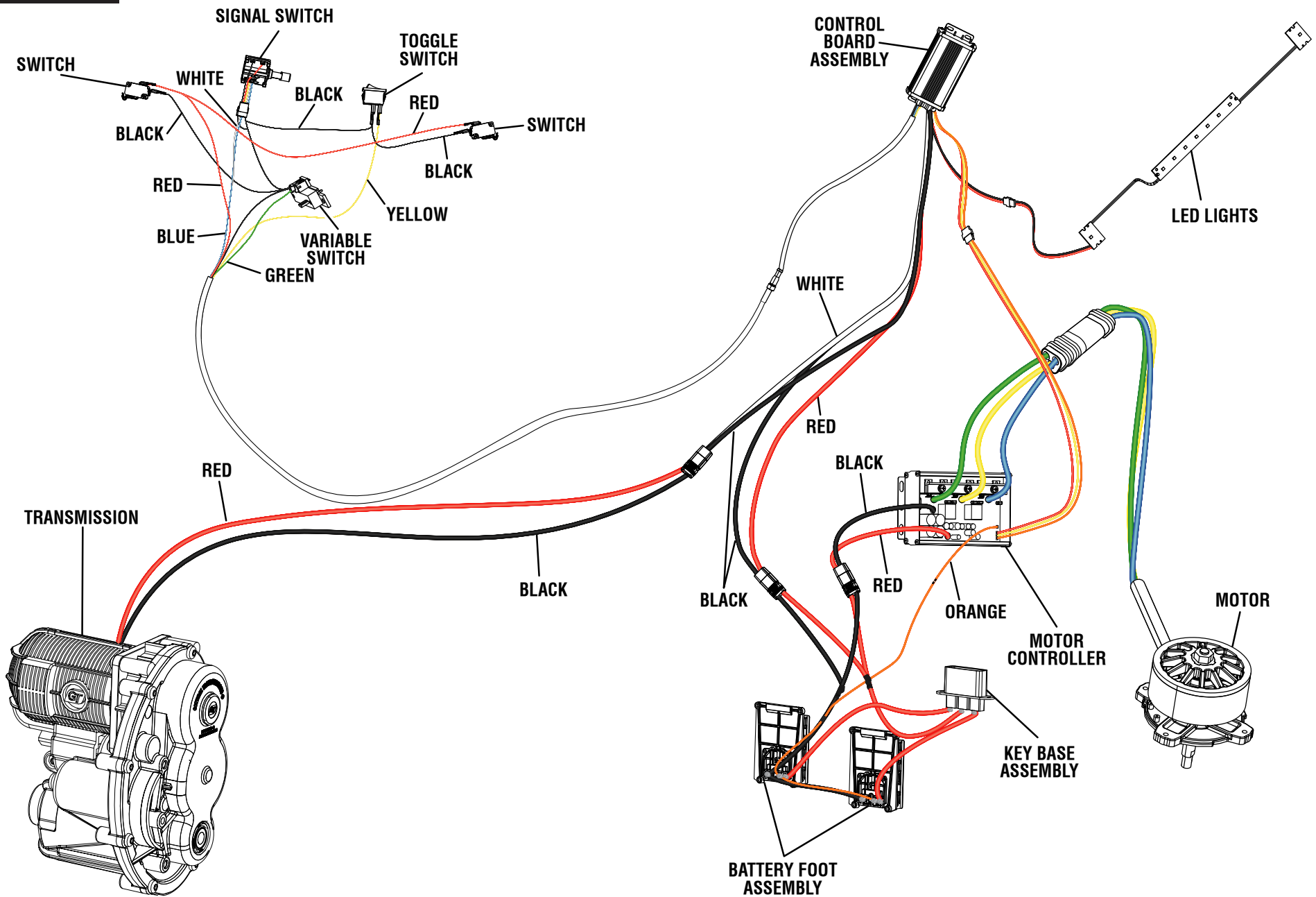
KEY NO.	PART NO.	DESCRIPTION	QTY.
1	614652001	Engine Spacer	6
2	699475001	Spring	2
3	661505033	Screw (M8 x 50 mm)	3
4	541644001	Side Charge Deflector	1
5	698355001	Side Cover Hinge Rod	1
6	699080002	Mulch Cover Spring	1
7	541381002	Rear Door	1
8	698995001	Rear Door Torsion Spring	1
9	622754001	Rear Door Axle	1
10	678880001	E-Ring	2
11	541643002	Mulching Plug	1
12	541380002	Discharge Baffle	1
13	970834002	Grass Bag	1
14	659320002	Grass Bag Frame	1
15	210449007	Transmission	1
16	659706001	Front Axle	1
17	659707001	Rear Axle	1
18	659324003	Height Adjustment Bracket	1
19	699325001	Torsion Spring	1
20	658929002	Height Adjustment Handle	1
21	538937002	Height Adjustment Knob (Right)	1
22	538938002	Height Adjustment Knob (Left)	1
23	660004019	Screw (M3 x 12 mm)	2
24	614676002	Bearing	2
25	659957001	Linkage	1
26	659708001	Connecting Plate	1
27	535080003	Motor Fan Blade Adapter	1
28	681957001	Ball Bearing	8
29	679075001	Hex Nut (M10 x 1.25 in.)	5
30	613239001	Drive Gear	2
31	622068001	Gear Shaft	2
32	682164001	Ball Bearing	2
33	639116011	Rear Axle Press Plate	1
34	639116012	Front Axle Press Plate	2
35	690698001	Snap Ring	4
36	678279004	Cotter Pin	3
37	613427001	Motor Axle Bushing	1
38	535046001	Wheel Cover	2
39	317161002	8 in. Wheel Assembly	2
40	317160002	11 in. Wheel Assembly	2
41	682534001	21 in. Bottom Blade	1
42	682533001	21 in. Top Blade	1
43	639118002	Plastic Spacer	1
44	526920003	Metal Spacer	1
45	664004003	Screw (M1/4-15 x 1 mm, T30 Torx Pan Hd.)	14
46	534988005	Blade Button	1

KEY NO.	PART NO.	DESCRIPTION	QTY.
47	541601002	Trailing Shield	1
48	674157001	Trailing Shield Pin	1
49	660629005	Screw (M10-14 x 0.78 mm, T25 Torx Pan Hd.)	3
50	317812001	Top Cover w/Labels	1
51	659472001	Retaining Ring	1
52	659747002	Handle Bracket (Left)	1
53	537116002	Carry Handle	1
54	659746002	Handle Bracket (Right)	1
55	660722002	Screw (M6 x 26 mm)	4
56	538869002	Hinge Cover	2
57	663110001	Screw (M10 x 48 mm, Hex Hd.)	2
58	614861003	Handle Bushing	2
59	542610001	Top Cover Door	1
60	638387005	Washer	14
61	699325003	Compression Spring	1
62	660927002	Screw (M5 X 14.5 mm, T20 Torx Pan Hd.)	4
63	742745001	Motor Assembly	1
64	663126001	Screw (M1/4 in.-20UNC x 31.75 mm, T30 Torx Pan Hd.)	6
65	638557001	Washer (OD15 x ID6.2 x 0.8t)	4
66	678016006	Nut (1/4 UNC)	6
67	542861001	Wheel Hub Cap	4
68	292305001	Inner Wire w/Connector Between Transmission and Control Board	1
69	541361003	Side Discharge Door	1
70	542614001	Wire Harness Cover	1
71	285001002	Cutting Controller Assembly	1
72	318032001	Power Head LED Assembly	1
73	317814001	Battery Cover Assembly (Inc. Labels)	1
74	661189003	Screw (M4 x 18 mm, T20 Torx Pan Hd.)	44
75	318030001	Start Key Assembly	1
76	317813001	Deck with Labels	1
77	535014003	Motor Bucket	1
78	318031001	Key Base and Battery Foot Assembly	1
79	660608001	Screw (M4 x 12 mm, T20 Torx Pan Hd.)	2
80	535005002	Battery Housing Bottom	1
81	317168001	Handle Assembly	1
82	535007001	Battery Housing Front Vents (Right)	1
83	535006001	Battery Housing Front Vents (Left)	1
84	535081001	LED Clear Window Lens	1
85	661189002	Screw (M4 x 10 mm, T20 Torx Pan Hd.)	2
86	536862001	Front Plug Cover	1
87	280999002	Control Board Assembly	1
	<b>Not Shown:</b>		
	543394002	Wire Harness Clip	
	998000428	Operator's Manual (960087588)	



**LABELS**

KEY NO.	PART NO.	DESCRIPTION	QTY.
1	940779340	Start Key Warning Label	1
2	940779339	Danger Label (SP)	1
3	940779336	Made in USA Label	1
4	941851158	Main Danger Label (EN/FR)	1
5	918016070	Start Key Battery Port Callout Hangtag	1
6	940705546	40V RYOBI HANDLE Logo Label	1
7	940779335	Instructions Label	1
8	940779337	ONE TOUCH Handle Release Label	1
9	918016066	SMART TREK Instructions Hangtag	1
10	918016067	Handle Folding Instructions Hangtag	1
11	950219159	QR Code Label	1
12	940779333	Battery Wet Conditions / Data Label	1
13	941641001	Cut Finger label	1
14	940779330	21 in. Cross Cut Label (Right)	1
15	940779338	SMART TREK Self-Propelled Logo Label	1
16	940779334	CROSSCUT 3-in-1 Logo	1
17	940779331	BRUSHLESS Logo Label	1



### WIRING DIAGRAM