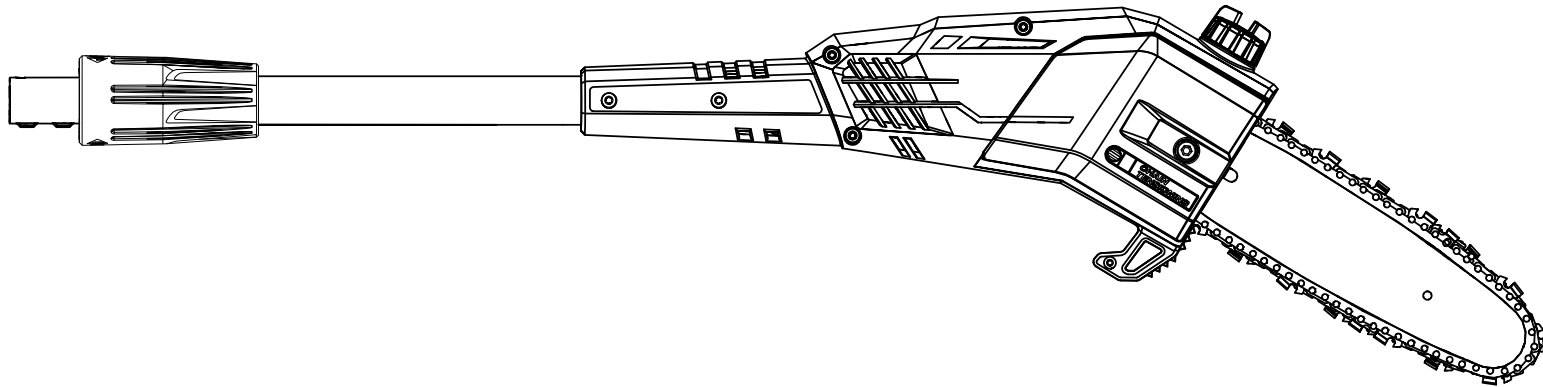


# REPAIR SHEET

BRAND <b>RYOBI</b>		DESCRIPTION <b>Pole Saw Attachment</b>
MODEL NO. <b>RY40051</b>	MFG. NO. <b>311069006</b>	



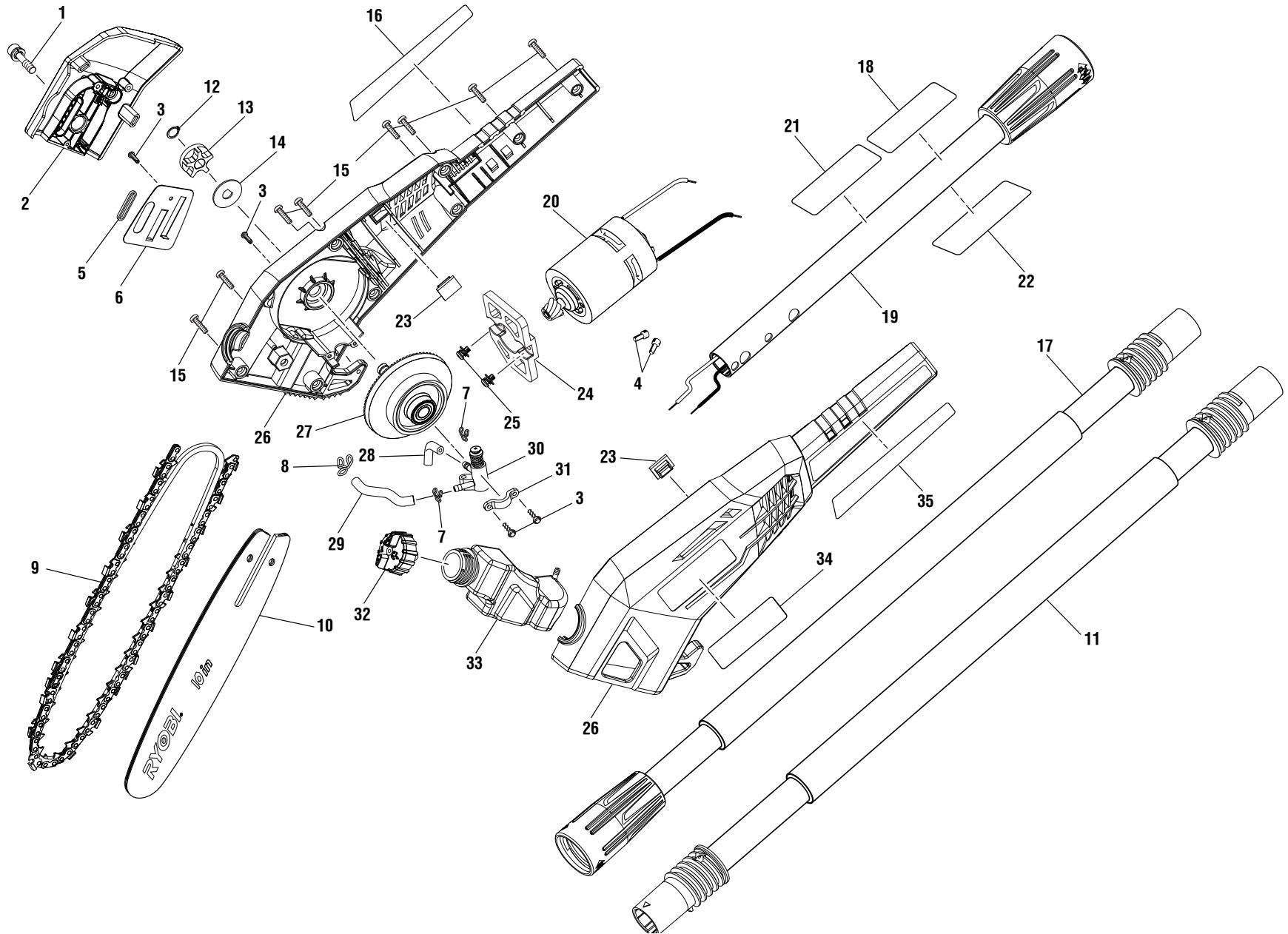
## TECHTRONIC INDUSTRIES POWER EQUIPMENT

P.O. Box 1288, Anderson, SC 29622 ■ 1-800-860-4050 ■ [www.ryobitools.com](http://www.ryobitools.com)

8-5-20 (Rev:01)

*The model number and manufacturing location will be found on a label attached to the product. Always mention this information in all communications regarding this product and when ordering parts.*

# RYOBI RY40051



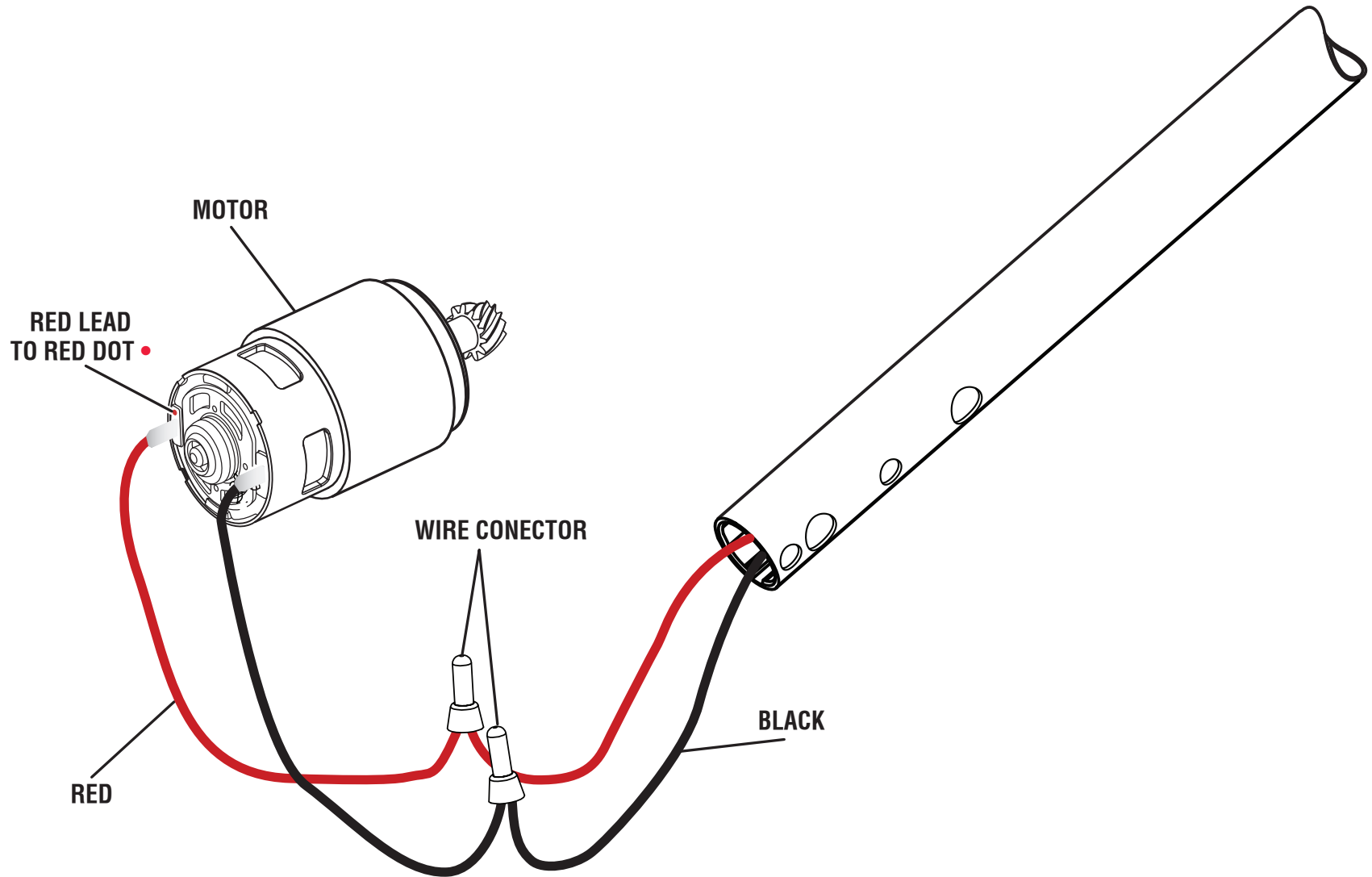


RY40051

PARTS LIST

KEY NO.	PART NO.	DESCRIPTION	QTY.
1	660058008	Screw (M6 x 25 mm)	1
2	316589001	Chain Cover Assembly	1
3	660005006	Screw (M3 x 10 mm, Pan Hd.)	4
4	790021001	Wire Connector	2
5	570820001	Rubber Seal	1
6	634561003	Guide Bar Plate	1
7	690700001	Hose Clip	2
8	690700005	Hose Clip	1
9	682115001	Chain	1
10	316668001	Guide Bar	1
11	311075001	Boom Assembly	1
12	670608002	Retaining Ring	1
13	610323001	Sprocket	1
14	690733001	"D" Washer (OD24 x ID 10 x 1.2t)	1
15	661189003	Screw (M4 x 18 mm, T20 Torx Pan Hd.)	8
16	941851095	40V Lithium Label (Right)	1
17	311081002	Extended Boom Assembly	1
18	941851096	Icon Warning Label (English)	1
19	316998001	Upper Pole Assembly (Inc. Key Nos. 18 and 21-22)	1

KEY NO.	PART NO.	DESCRIPTION	QTY.
20	311070002	Motor Assembly	1
21	941588698	Data Label	1
22	941851098	Warning Label (French/Spanish)	1
23	570115001	Rubber Plate	2
24	642037001	Mounting Plate	1
25	T661845001	Screw w/Washer (M5 x 9 mm, Pan Hd.)	2
26	380046001	Motor Housing Assembly (Inc. Key Nos. 16 and 34-35)	1
27	311071001	Gear Assembly	1
28	570807001	Inlet Tube	1
29	570807002	Outlet Tube	1
30	300946003	Oil Pump Assembly	1
31	531003001	Clamp	1
32	310983001	Oil Tank Cap Assembly	1
33	311072001	Oil Tank Assembly (Inc. Key Nos. 28-29 and 32)	1
34	941851093	Logo Label	1
35	941851094	40V Lithium Label (Left)	1
	<b>Not Shown:</b>		
	998000274	Operator's Manual	



**WIRING DIAGRAM**