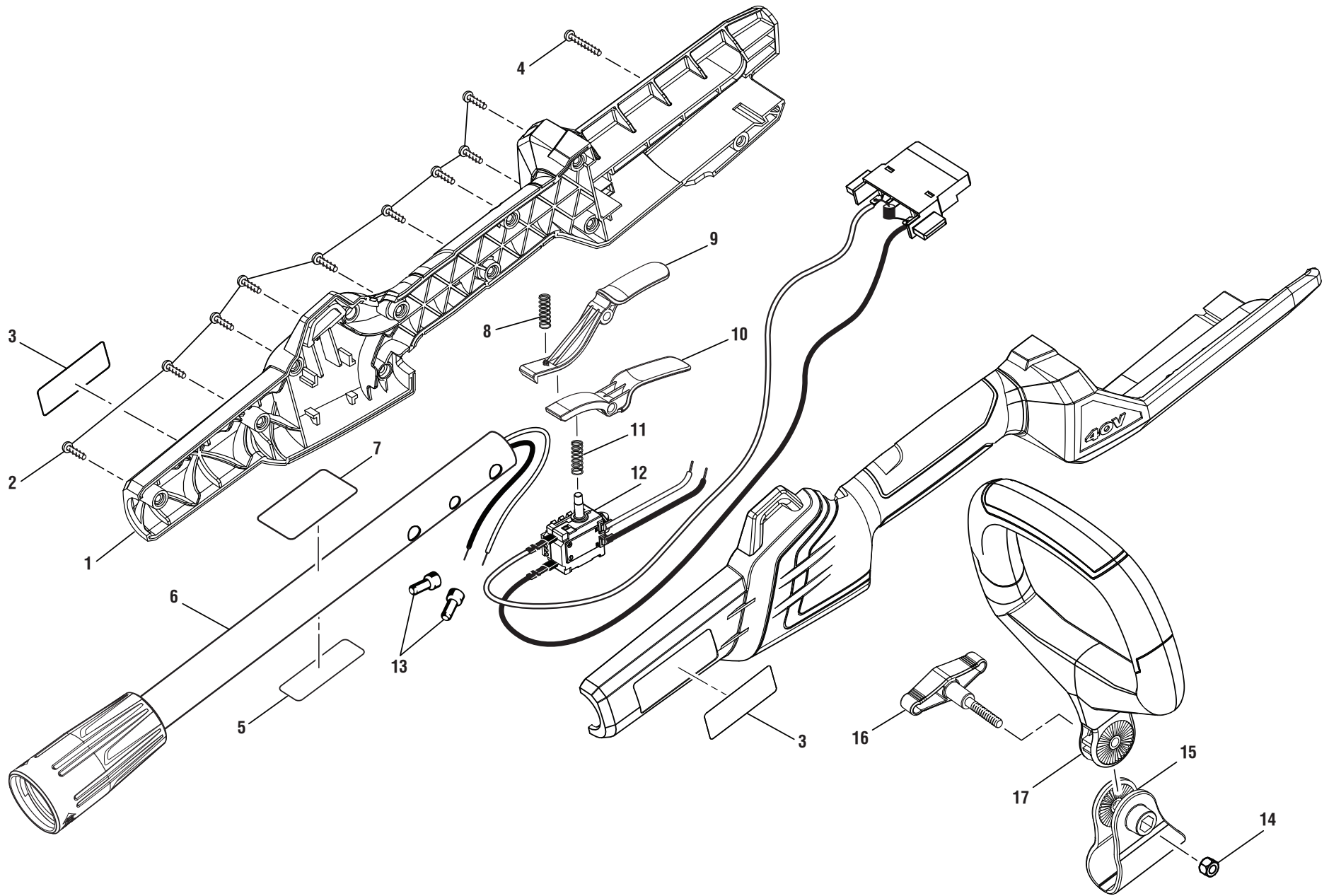


**RYOBI**  
**40 V Power Head**  
**Item No. RY40001B/RY40001BVNM**  
**Mfg. No. 311114008/316198001**  
**Repair sheet**

**TECHTRONIC INDUSTRIES POWER EQUIPMENT**

P.O. Box 1288  
Anderson, SC 29622  
Phone 1-800-860-4050  
[www.ryobitools.com](http://www.ryobitools.com)

RYOBI POWER HEAD – ITEM NO. RY40001B/R40001BVNM



**RYOBI POWER HEAD – ITEM NO. RY40001B/RY40001BVNM**

The model number will be found on a label attached to the **UPPER TUBE ASSEMBLY**. Always mention the model number of your **POWER HEAD** when requesting service or ordering repair parts.

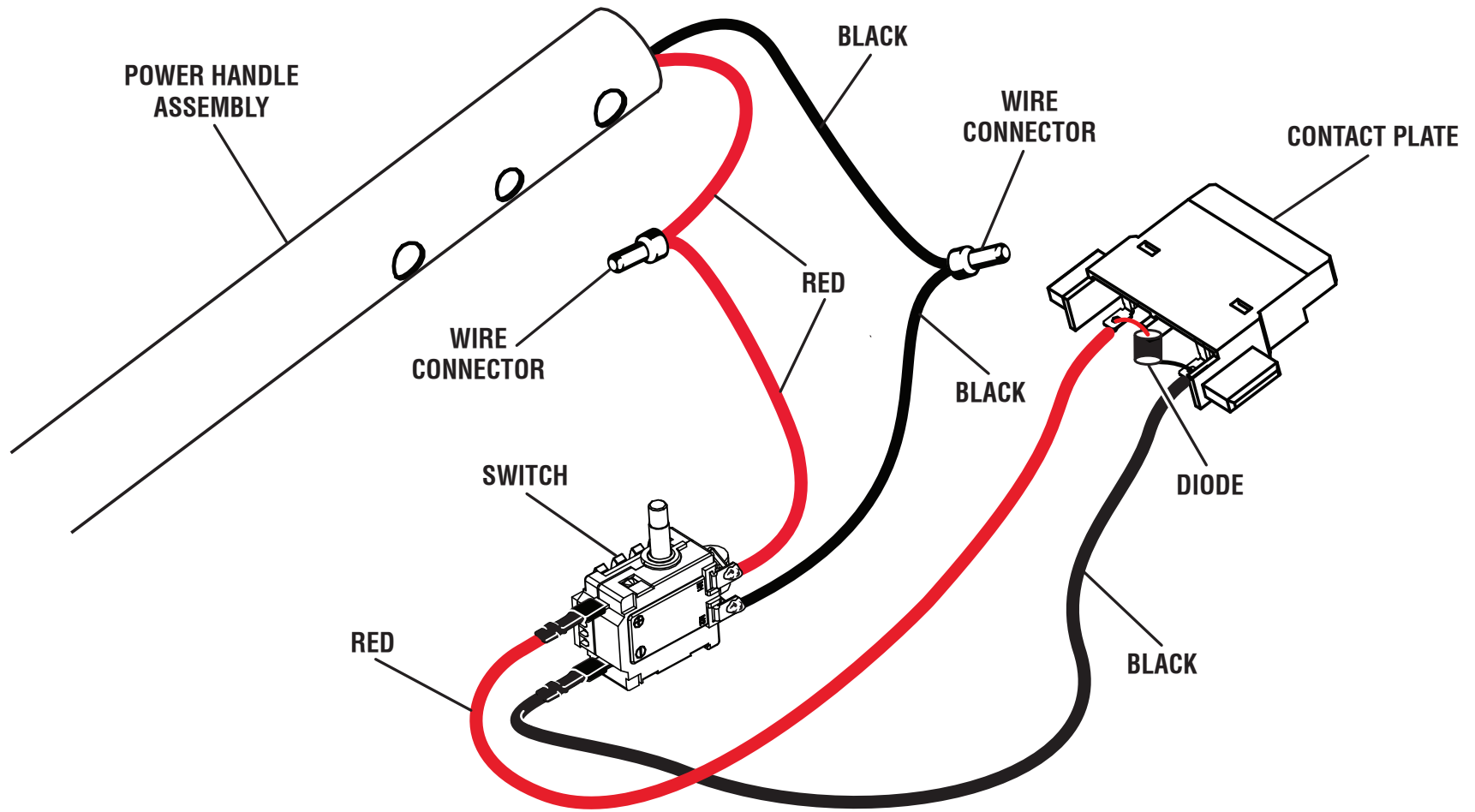
<b>KEY NO.</b>	<b>PART NUMBER</b>	<b>DESCRIPTION</b>	<b>QTY</b>
1	314756001	Rear Handle Assembly (Inc. Key No. 3).....	1
2	661817001	Screw (M4 x 14 mm, T15 Torx Pan Hd.).....	9
3	941545002	Logo Label.....	2
4	660208104	Screw (M4 x 30 mm, T15 Torx Pan Hd.).....	1
5	941851099	Data Label (RY40001B).....	1
	941588606	Data Label (RY40001BVNM).....	1
6	314794001	Upper Tube Assembly (Inc. Key Nos. 5 and 7, RY40001B).....	1
	316316001	Upper Tube Assembly (Inc. Key Nos. 5 and 7, RY40001BVNM).....	1
7	941851103	Warning Icon Label.....	1
8	679973002	Compression Spring (Trigger Lock).....	1
9	525589001	Lock Off Button (Trigger Lock).....	1
10	525590001	Switch Trigger.....	1
11	679973001	Compression Spring (Trigger).....	1
12	314755001	Switch and Contact Plate Assembly.....	1
13	790009004	Wire Connector.....	2
14	680196006	Hex Nut (M6).....	1
15	310921001	Bracket Assembly.....	1
16	314754001	Handle Knob Assembly.....	1
17	311158001	Auxiliary Handle Assembly (Inc. Key Nos. 14-16).....	1

**Not Shown**

995000646 Operator's Manual (RY40050, RY40001B)

998000009 Operator's Manual (RY40506)

1-16-20  
(Rev:03)



WIRING DIAGRAM