

RYOBI
CHAIN SAWS
MODEL NO. RY3714 & RY3716
MFG NO. 090382003 & 090382002
REPAIR SHEET

TECHTRONIC INDUSTRIES POWER EQUIPMENT

P.O. Box 1288
Anderson, SC 29622
Phone 1-800-860-4050
www.ryobitools.com

RYOBI CHAIN SAWS – MODEL NUMBER RY3714 & RY3716

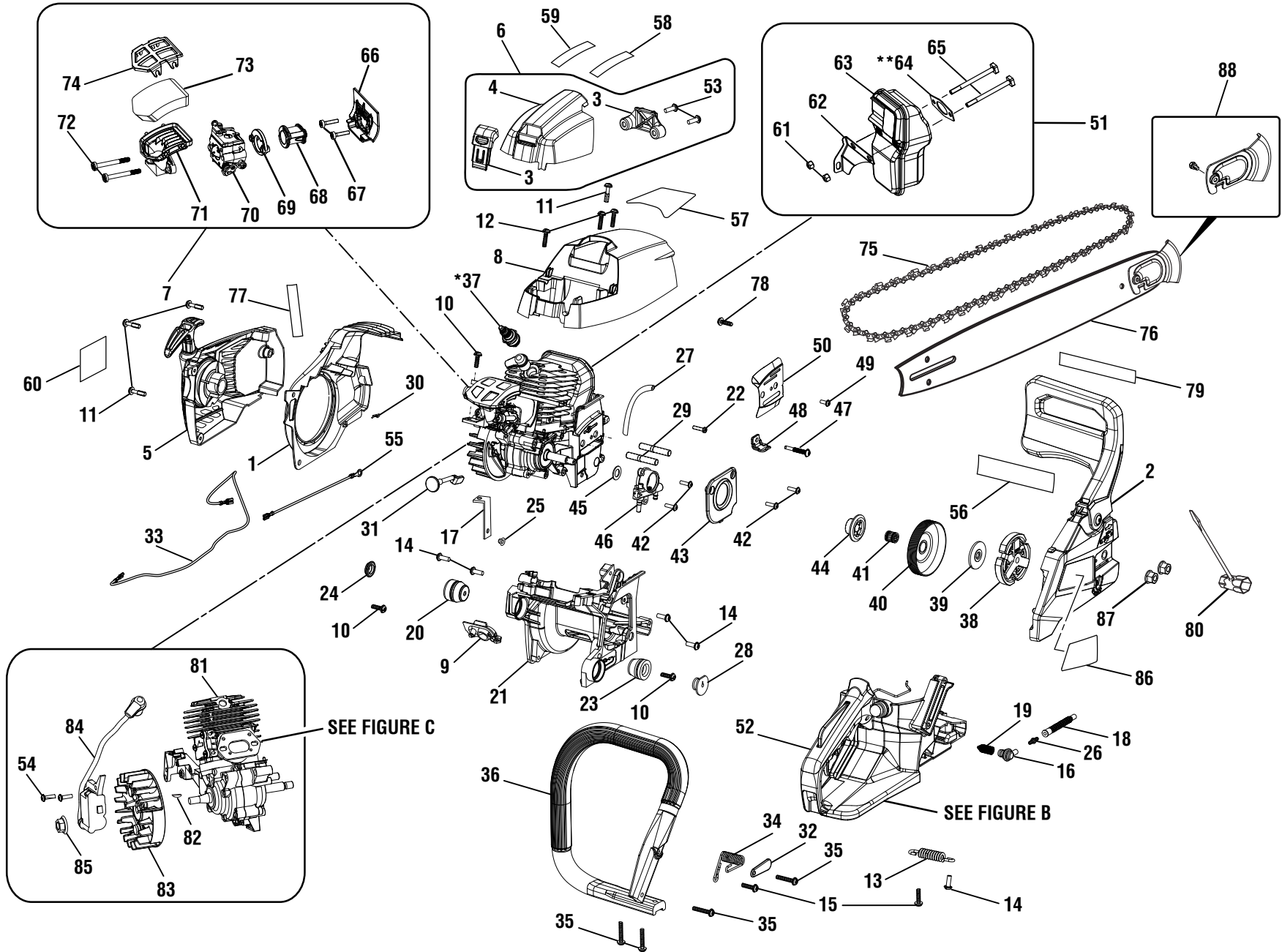


FIGURE A

RYOBI CHAIN SAWS – MODEL NUMBER RY3714 & RY3716

The model number and mfg number will be found on a label attached to the rear handle housing. Always mention the model number and mfg number in all correspondence regarding your **CHAIN SAW** or when ordering replacement parts.

PARTS LIST

KEY NO.	PART NUMBER	DESCRIPTION	QTY	KEY NO.	PART NUMBER	DESCRIPTION	QTY
1	533483001	Cylinder Baffle	1	22	518411001	Pin (Oil Pump Outlet)	1
2	313866003	Clutch Cover Assembly (RY3714; Inc. Key Nos. 56 & 79)	1	23	561426001	Damper Rubber	1
	313866002	Clutch Cover Assembly (RY3716; Inc. Key Nos. 56 & 79)	1	24	518435001	Damper Cap	1
3	314046001	Carburetor Cover Latch and Bracket Assembly	1	25	678320001	Eyelet	1
4	532595001	Carburetor Cover Housing	1	26	518413001	Joint For Pipe In Comp	1
5	313867001	Starter Housing Assembly (Inc. Key Nos. 60 & 77)	1	27	563968002	Oil Pump Rubber Tube (Outlet)	1
6	313868001	Carburetor Cover Assembly (Inc. Key Nos. 58-59)	1	28	518434001	Damper Cap (T)	1
7	311457003	Intake Assembly	1	29	660503006	Bar Stud (5/16-18 x 23.5 mm / 5/16-18 x 18 mm)	2
8	313869001	Cylinder Housing Assembly (Inc. Key No. 57) ..	1	30	631034001	Hair Pin	1
9	518417001	Grommet	1	31	518415005	Choke Rod	1
10	660918003	Screw (M5 x 16 mm, T25 Torx Pan Hd.)	3	32	678332001	Damper Plate	1
11	660637001	Screw (M5 x 22 mm, T25 Torx Pan Hd.)	4	33	291894001	Lead Wire Assembly (Red)	1
12	660918001	Screw (M5 x 14 mm, T25 Torx Pan Hd.)	3	34	678322001	Damper Spring	1
13	678321001	Damper Spring	1	35	660918002	Screw (M5 x 27 mm, T25 Torx Pan Hd.)	4
14	660917002	Screw (M5 x 0.8 mm, T25 Torx Pan Hd.)	5	36	518691001	Handle	1
15	660918004	Screw (M5 x 14 mm, T25 Torx Pan Hd.)	2	37	870174005	* Spark Plug (BOSCH/WSR6F)	1
16	561421001	Oil Filter Grommet	1	38	310535001	Clutch	1
17	901376002	Band Stopper	1	39	678313002	Thrust Plate	1
18	561449001	Pipe In Oil Pump Rubber	1	40	309418001	Clutch Drum	1
19	678407001	Cone Spring	1	41	681933001	Clutch Drum Needle Bearing	1
20	561428001	Rubber Damper	1	42	660916003	Screw (M4 x 14 mm, T20 Torx Pan Hd.)	4
21	518442006	Engine Case	1	43	518414001	Oil Pump Cover	1
				44	518865001	Oil Pump Drive Gear	1
				45	638289001	Washer (ID10.2 x OD18 x 1t)	1
				46	309516001	Oil Pump	1

* Standard Hardware Item – May Be Purchased Locally

** Non-Reuseable Parts

RYOBI CHAIN SAWS – MODEL NUMBER RY3714 & RY3716

The model number and mfg number will be found on a label attached to the rear handle housing. Always mention the model number and mfg number in all correspondence regarding your **CHAIN SAW** or when ordering replacement parts.

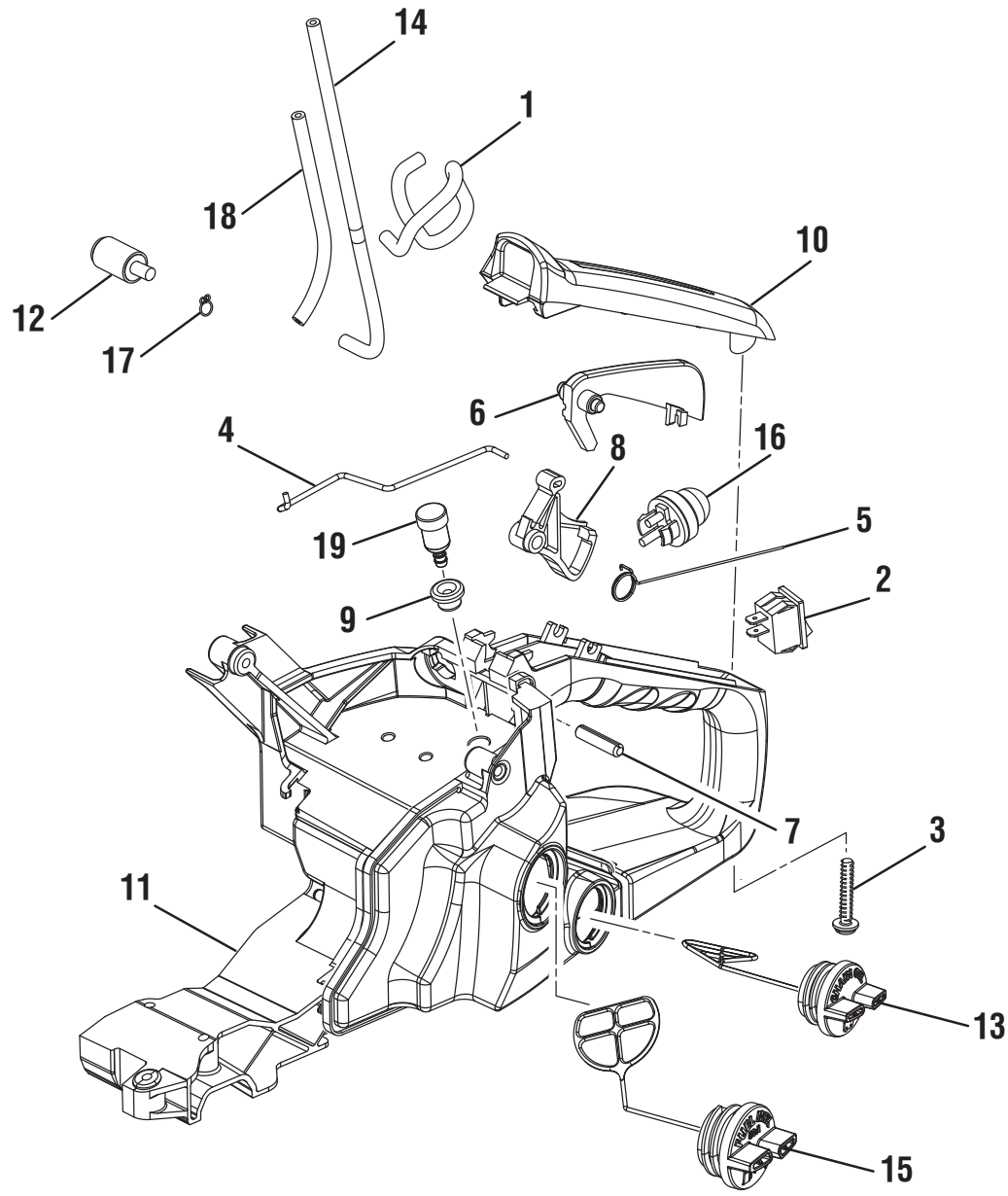
PARTS LIST

KEY NO.	PART NUMBER	DESCRIPTION	QTY	KEY NO.	PART NUMBER	DESCRIPTION	QTY
47	660931001	Screw (M4 x 33 mm, T25 Torx Pan Hd.).....	1	72	660454015	Screw (M5 x 44 mm, T25 Torx Hd. Carburetor)..	2
48	631035004	Chain Catcher	1	73	560873013	Foam Air Filter	1
49	660916001	Screw (M4 x 12 mm, T20 Torx Pan Hd.).....	1	74	534173001	Air Filter Retainer	1
50	638309003	Chain Guard Plate	1	75	901212004	14 in. Chain (RY3714, 3/8LP, 52DL)	1
51	311458001	Exhaust Assembly	1		901361002	16 in. Chain (RY3716, 3/8LP, 56DL)	1
52	307246005	Chassis & Handle Components	1	76	311482001	14 in. Guide Bar Assembly (RY3714)	1
53	660922001	Screw (M4 x 10 mm, T20 Torx Pan Hd.).....	2		311482002	16 in. Guide Bar Assembly (RY3716)	1
54	660916003	Screw (M4 x 14 mm, T20 Torx Hd.).....	2	77	940654088	Combustion Warning Label.....	1
55	291893001	Lead Wire Assembly (Black).....	1	78	660917004	Screw (M5 x 11 mm., T25 Torx Pan Hd.).....	1
56	941009059	Chain Brake Label (RY3714)	1	79	941009045	Pull To Release Brake Label.....	1
	941009057	Chain Brake Label (RY3716)	1	80	631055005	Combination Wrench.....	1
57	941009044	Warning Label	1	81	309893007	Short Block.....	1
58	941010023	Starting Label (Right).....	1	82	690688001	Woodruff Key.....	1
59	941010022	Starting Label (Left)	1	83	309001002	Flywheel Assembly	1
60	941009046	Starting House Label.....	1	84	309266003	Ignition Assembly	1
61	678311001	Hex Nut (M5, Muffler)	2	85	690689001	Hex Flange Nut (M8).....	1
62	638293004	Muffler Bracket	1	86	941009075	Bar Cover Label.....	1
63	309377006	Muffler	1	87	678339003	Hex Nut (5/16-18).....	2
64	901380001	** Gasket (Muffler)	1	88	314926001	Bar Nose Kit	1
65	660915001	Muffler Bolt (M5 x 62 mm, Square Hd.).....	2		Not Shown:		
66	518864003	Heat Dam	1		995000483	Operator's Manual	
67	662395001	Bolt (M9 x 19 mm, T25 Torx Pan Hd.)	2		580438012	14 in. Scabbard (RY3714)	
68	570243003	Intake Boot	1		580699012	16 in. Scabbard (RY3716)	
69	678694002	Intake Bracket	1		1-9-20		
70	308054203	Carburetor Assembly.....	1		(Rev:04)		
71	518465002	Air Box Base.....	1				

* Standard Hardware Item – May Be Purchased Locally

** Non-Reuseable Parts

FIGURE B



RYOBI CHAIN SAWS – MODEL NUMBER RY3714 & RY3716

The model number and mfg number will be found on a label attached to the rear handle housing. Always mention the model number and mfg number in all correspondence regarding your **CHAIN SAW** or when ordering replacement parts.

PARTS LIST

KEY NO.	PART NUMBER	DESCRIPTION	QTY
1	570373019	Fuel Hose (Primer Assembly to Carburetor, 160 mm)	1
2	760961009	Switch	1
3	660918002	Screw (M5 x 27 mm, T25 Torx Pan Hd.)	1
4	638295001	Throttle Rod	1
5	678325001	Throttle Spring	1
6	518428004	Safety Lockout.....	1
7	638296001	Spring Pin	1
8	518466004	Trigger	1
9	561424001	Grommet.....	1
10	518429001	Grip Cover.....	1
11	308550008	Handle.....	1
12	300759005	Fuel Filter Assembly.....	1
13	308612006	Chain Oil Cap.....	1
14	562967003	LP-1500 Tubing (205.00 mm).....	1
15	308611005	Fuel Cap Assembly	1
16	300780002	Primer Assembly	1
17	690699001	Hose Clip	1
18	570373017	Fuel Hose (Primer Assembly to Tank, 153 mm).....	1
19	308583001	Fuel Breather Assembly	1