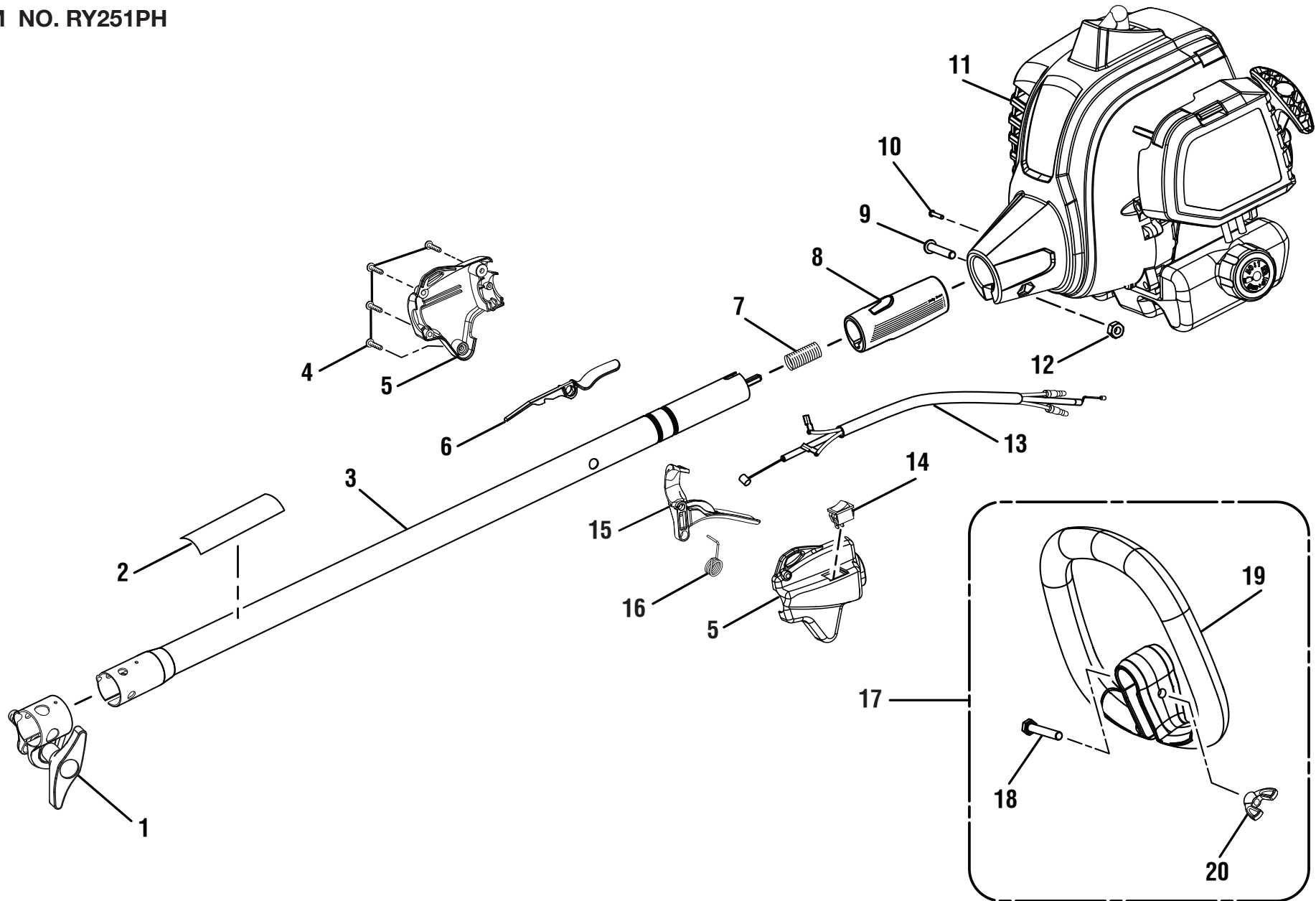


RYOBI
25cc String Trimmers
Manufacturing Numbers
090333005, 090333006, and 090333007
Item Numbers
RY251PH, RY252CS and RY253SS
Repair Sheet

FIGURE A
ITEM NO. RY251PH



RYOBI 25cc STRING TRIMMERS – ITEM NUMBERS RY251PH, RY252CS and RY253SS

PARTS LIST (FIGURE A)

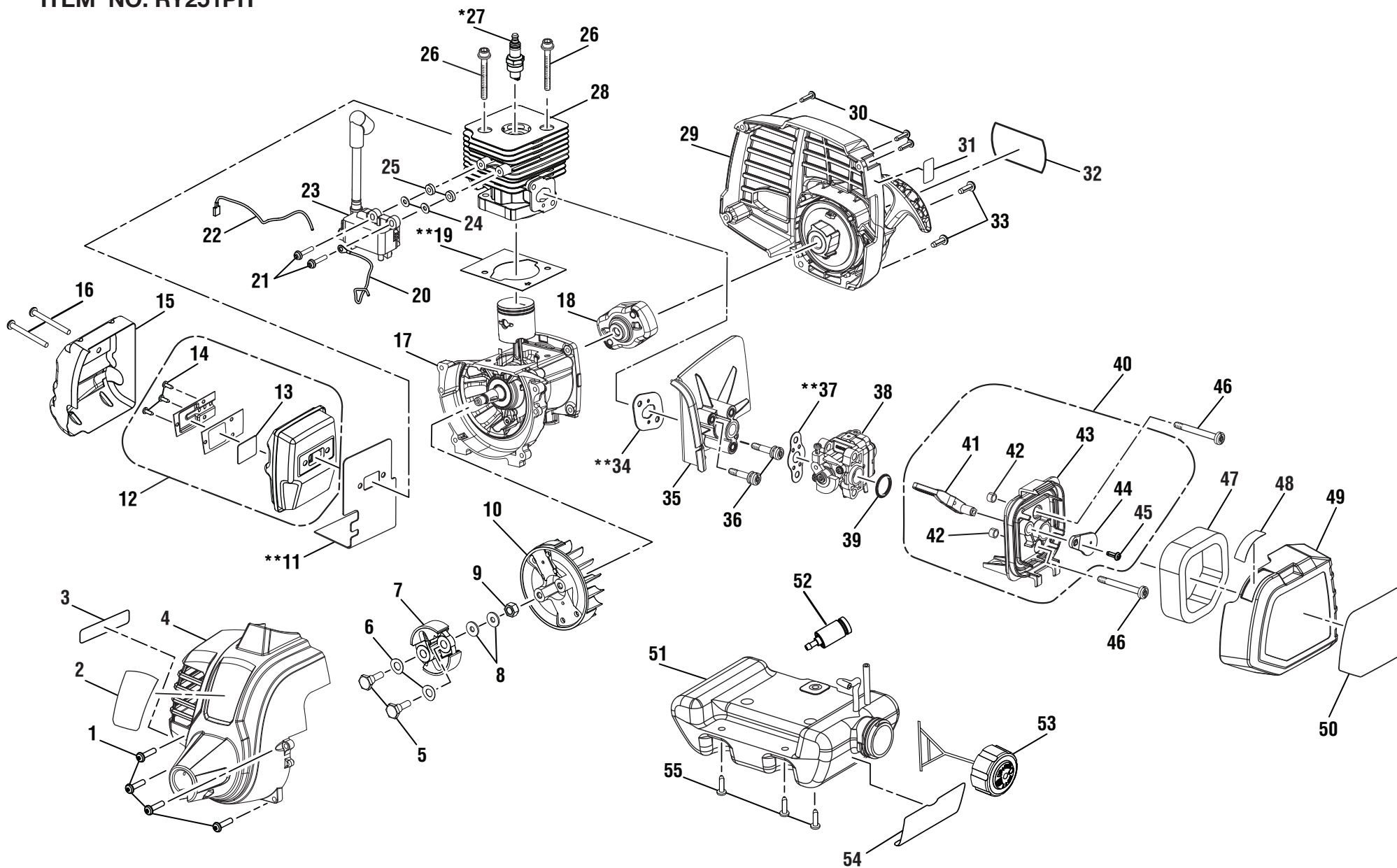
KEY NO.	PART NUMBER	DESCRIPTION	QTY
1	308045012	Boom Clamp Assembly	1
2	940657164	Warning Icon Label.....	1
3	308470060	Upper Boom Assembly (Inc. Key Nos. 1-2).....	1
4	660563002	Screw (M4 x 20 mm, T20 Torx Hd. S.T.)	4
5	310831005	Control Handle Assembly (Inc. Key No. 4)	1
6	518695009	Trigger Lock	1
7	690140011	Compression Spring.....	1
8	570234002	Rear Handle Grip	1
9	T660697001	Screw (M6 x 30 mm, T27 Torx Button Hd.)	1
10	660925011	Screw (M4 x 8 mm, T20 Torx Pan Hd. S.T.).....	1
11	307164002	Powerhead Assembly w/Labels	1
12	678029002	Hex Nut (M6 x 1).....	1
13	307318001	Throttle Cable and Wire Assembly	1
14	760961002	On/Stop Switch	1
15	518696016	Trigger.....	1
16	690694002	Trigger Spring	1
17	308991003	Front Handle Assembly (Inc. Key Nos. 18-20).....	1
18	660643008	Screw (1/4-20 x 40 mm, Cap Hex Hd.)	1
19	526764001	Front Handle	1
20	518949001	Wing Nut (1/4-20)	1

NOT SHOWN

991000147 Operator's Manual (RY251PH, 961494004)
 991000148 Operator's Manual (RY252CS & RY253SS, 961494005)
 8-11-16
 (Rev:01)

RYOBI 25cc STRING TRIMMERS – ITEM NUMBERS RY251PH, RY252CS and RY253SS

FIGURE B
ITEM NO. RY251PH



RYOBI 25cc STRING TRIMMERS – ITEM NUMBERS RY251PH, RY252CS and RY253SS

PARTS LIST (FIGURE B)

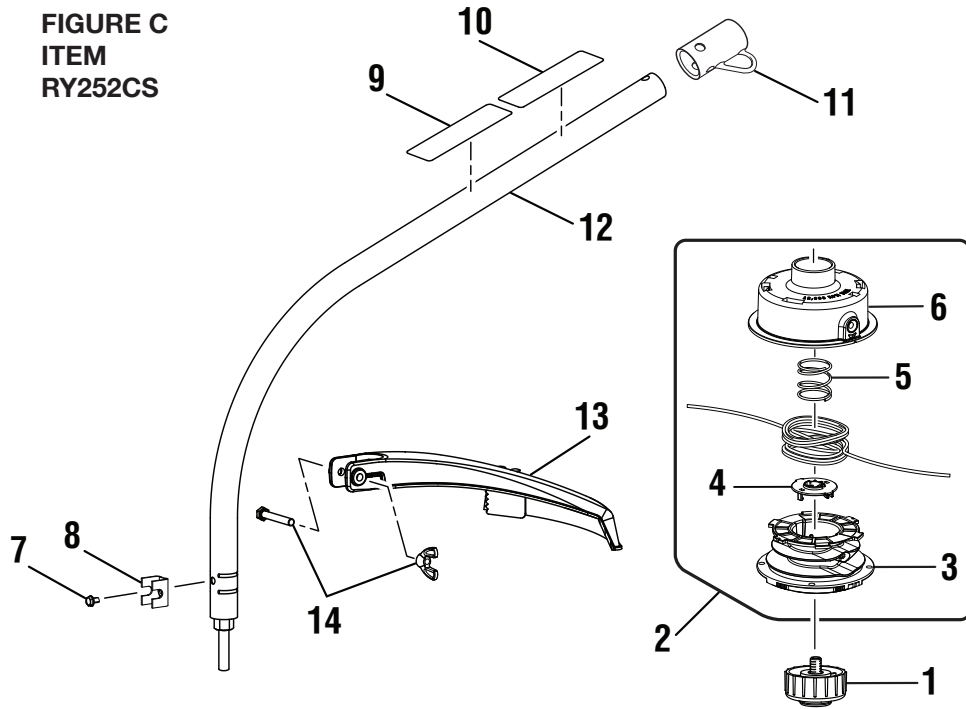
KEY NO.	PART NUMBER	DESCRIPTION	QTY	KEY NO.	PART NUMBER	DESCRIPTION	QTY
1	660344001	Screw w/Washer (M5 x 20 mm, T20 Torx Pan Hd.).....	4	30	660563001	Screw (M4 x 18 mm, T20 Torx Pan Hd. S.T.).....	3
2	940627041	Logo Label (Front)	1	31	941788001	Primer Bulb Location Label	1
3	940654088	Combustion Warning Label	1	32	940627042	Logo Label (Rear)	1
4	310304006	Front Housing Assembly (Inc. Key Nos. 2-3).....	1	33	660351001	Cap Screw w/Washer (M5 x 16 mm, T25 Torx Soc. Hd.)..	2
5	660353001	Clutch Shoulder Bolt (M6 x 22.5 mm, Hex Hd.)	2	34	903033001	** Insulator Gasket	1
6	690696001	Curved Washer	2	35	528275001	Heat Dam Insulator.....	1
7	307091001	Clutch Assembly.....	1	36	662210001	Screw (M5 x 27 mm, T25 Torx Pan Hd. S.T.).....	2
8	690695001	Washer (ID6 x OD15 x 1.2t)	2	37	903034001	** Gasket	1
9	690689001	Flywheel Nut.....	1	38	307160001	Carburetor Assembly.....	1
10	307156001	Flywheel.....	1	39	563841001	Carburetor O-Ring.....	1
11	630002032	** Muffler Gasket	1	40	307191001	Airbox Base Assembly (Inc. Key Nos. 41-45).....	1
12	300748043	Muffler Assembly (Inc. Key Nos. 13-14)	1	41	591442001	Choke Lever	1
13	638268001	Screen	1	42	678515015	Compression Limiters.....	2
14	660870001	Screw (6-20 x 1/4 in., T20 Torx Pan Hd. S.T.).....	3	43	591440001	Air Box Base.....	1
15	638027002	Heat Shield	1	44	590946001	Choke Plate	1
16	660347001	Screw (M5 x 50 mm, T25 Torx Pan Hd.).....	2	45	660345001	Screw (M4 x 12 mm, T20 Torx Pan Hd. S.T.).....	1
17	307192001	Crankcase Assembly.....	1	46	660454015	Screw (M5 x 44 mm, T20 Torx Pan Hd.).....	2
18	308004003	Starter Cup	1	47	560873001	Air Filter	1
19	900709007	** Gasket	1	48	940647111	Choke Position Label	1
20	290143002	Lead Wire (Red)	1	49	308649003	Airbox Cover (Inc. Key Nos. 48 & 50)	1
21	660968001	Screw w/Washer (M4 x 19 mm, T20 Torx Pan Hd. S.T.)....	2	50	940686168	Starting Instructions Label	1
22	290143001	Lead Wire (Black).....	1	51	308682055	Fuel Tank and Cap Assembly (Inc. Key Nos. 52-54).....	1
23	291337001	Coil Boot Assembly	1	52	310976001	Fuel Filter	1
24	690969001	Washer (ID4.2 x OD10 x 1t)	2	53	310816018	Fuel Cap Assembly.....	1
25	590462001	Spacer (Phenolic)	2	54	940864004	Fuel Mixture Label	1
26	660342001	Screw (M5 x 22 mm, Soc. Hd.).....	2	55	660970002	Shoulder Screw (M4 x 14 mm, T25 Torx Truss Hd. S.T.)...3	
27	870174002	* Spark Plug (Champion RCJ4).....	1				
28	642368001	Cylinder	1				
29	307157002	Rear Housing and Starter Assembly (Inc. Key Nos. 31-32).....	1				
					Not Shown:		
					000998930	Spark Arrestor Kit (Inc. Key Nos. 13-14)	
					120900222	High Altitude Kit (Not Included)	

* Standard Hardware Item – May Be Purchased Locally

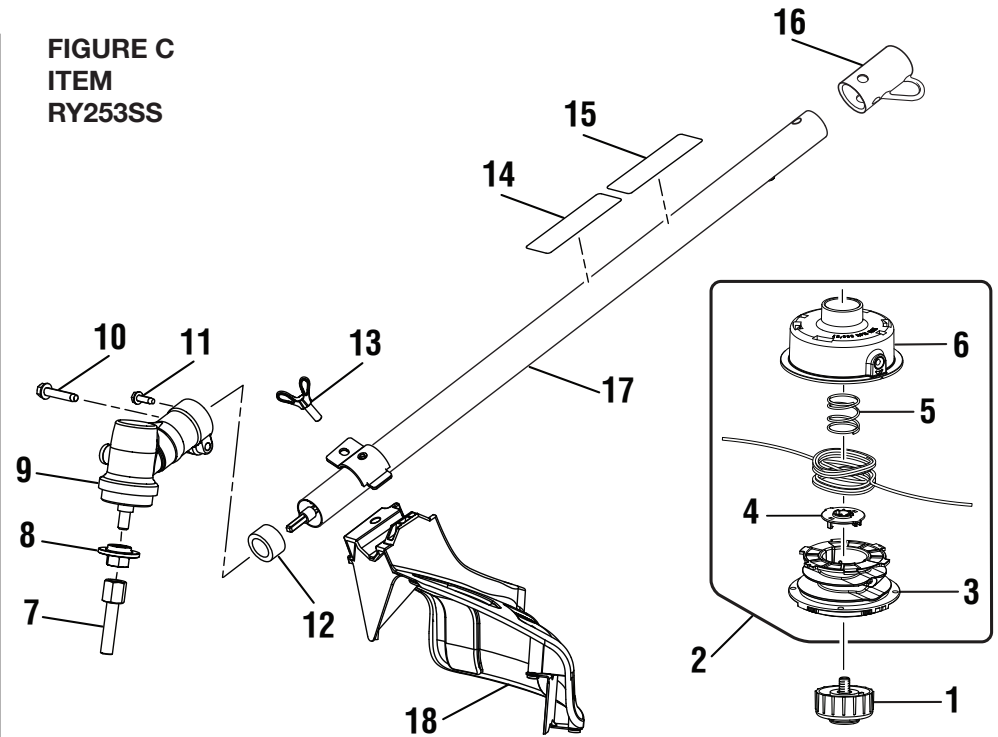
** Non-Reuseable Parts = Keys 11, 19, 34 and 37

RYOBI 25cc STRING TRIMMERS – ITEM NUMBERS RY251PH, RY252CS and RY253SS

**FIGURE C
ITEM
RY252CS**



**FIGURE C
ITEM
RY253SS**



KEY NO.	PART NUMBER	DESCRIPTION	QTY
1	308042002	Bump Knob (Black).....	1
2	309562008	Trimmer Head Assembly (.095) (Inc. Key Nos. 3-6).....	1
3	310412005	Spool Assembly (Inc. Key No. 4).....	1
4	526939001	String Guide.....	1
5	679958001	Compression Spring.....	1
6	310643005	Housing and Eyelet Assembly.....	1
7	660647001	Screw (#10-32 x 3/8 in., Hex Washer Hd. S.T.).....	1
8	638001001	Clamp.....	1
9	940726013	Expand-it Label.....	1
10	940657165	Warning Icon Label.....	1
11	518019002	Storage Hanger Cap.....	1
12	307486001	Curved Shaft Assembly (Inc. Key Nos. 7-11).....	1
13	308052010	Grass Deflector Assembly (Inc. Key No. 14).....	1
14	120650007	Fastener Kit.....	1

KEY NO.	PART NUMBER	DESCRIPTION	QTY
1	308042003	Bump Knob (Red).....	1
2	309562008	Trimmer Head Assembly (.095) (Inc. Key Nos. 3-6).....	1
3	310412005	Spool Assembly (Inc. Key No. 4).....	1
4	526939001	String Guide.....	1
5	679958001	Compression Spring.....	1
6	310643005	Housing and Eyelet Assembly.....	1
7	678019002	Trimmer Head Shaft Adaptor.....	1
8	678011002	Flanged Washer.....	1
9	308210009	Gear Case Assembly.....	1
10	660642001	Screw (1/4-20 x 1-1/4 in., Hex Washer Hd. S.T.).....	1
11	660641001	Screw (10-24 x 5/8 in., Hex Washer Hd. S.T.).....	1
12	518367001	Spacer.....	1
13	660886001	Wing Screw (1/4-20 x 7/8 in.).....	1
14	940726013	Expand-it Label.....	1
15	940657165	Warning Icon Label.....	1
16	518019002	Storage Hanger Cap.....	1
17	308035047	Straight Shaft Assembly (Inc. Key Nos. 14-16).....	1
18	308473001	Grass Deflector Assembly (Inc. Key No. 13).....	1