



EXPAND-IT
ATTACHMENTS



OPERATOR'S MANUAL

MANUEL D'UTILISATION

MANUAL DEL OPERADOR

STRAIGHT SHAFT TRIMMER

ATTACHMENT WITH 3-IN-1

TRIMMER HEAD ACCESSORIES

ARBRE DROIT ACCESSOIRE

TAILLE-BORDURES AVEC ACCESSOIRES

POUR TÊTE À TAILLE-BORDURES 3-EN-1

ACCESORIO PARA RECORTAR

DE EJE RECTO CON ACCESORIOS DE

CABEZAL DE RECORTADORA 3 EN 1

RY15526/Ry15529

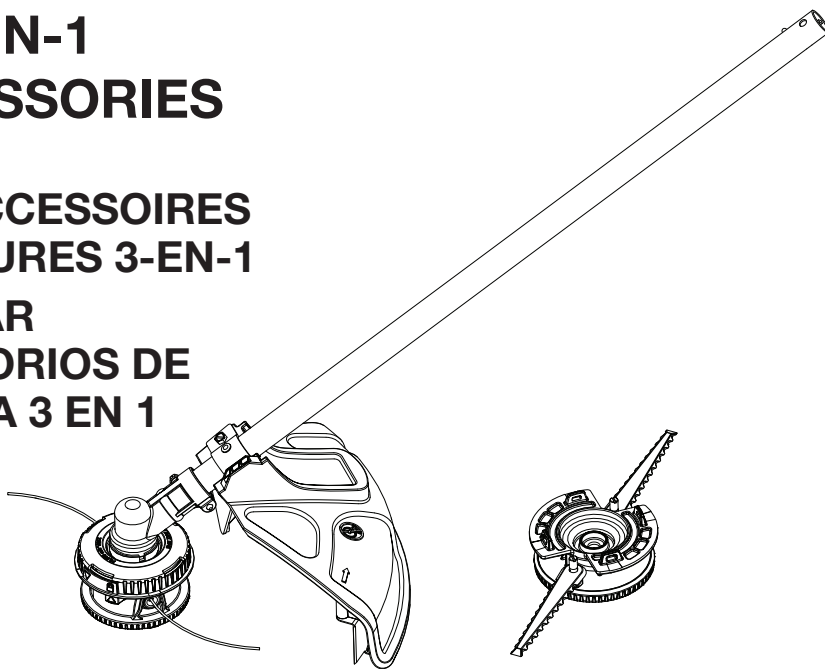


TABLE OF CONTENTS

- General Safety Rules2
- Specific Safety Rules2
- Grass Trimmer Safety Warnings3
- Symbols4
- Features5
- Assembly 5-6
- Operation 7-8
- Maintenance 9-10
- Troubleshooting 10
- Parts Ordering/Service..... Back Page

TABLE DES MATIÈRES

- Règles de sécurité générales2
- Règles de sécurité particulières2
- Avertissements de sécurité pour coupe-herbe3
- Symboles4
- Caractéristiques5
- Assemblage 5-6
- Utilisation 7-8
- Entretien 9-10
- Dépannage 11
- Commande de pièces/ réparation Page arrière

ÍNDICE DE CONTENIDO

- Reglas de seguridad generales2
- Reglas de seguridad específicas2
- Advertencias de seguridad de la recortadora de césped3
- Símbolos4
- Características5
- Armado 5-6
- Funcionamiento 7-8
- Mantenimiento 9-10
- Corrección de problemas 11
- Pedidos de piezas/ servicio Pág. posterior

⚠ WARNING: To reduce the risk of injury, the user must read and understand the operator's manual before using this product.

⚠ AVERTISSEMENT : Pour réduire les risques de blessures, l'utilisateur doit lire et veiller à bien comprendre le manuel d'utilisation avant d'employer ce produit.

⚠ ADVERTENCIA: Para reducir el riesgo de lesiones, el usuario debe leer y comprender el manual del operador antes de usar este producto.

SAVE THIS MANUAL FOR FUTURE REFERENCE

CONSERVER CE MANUEL POUR FUTURE RÉFÉRENCE

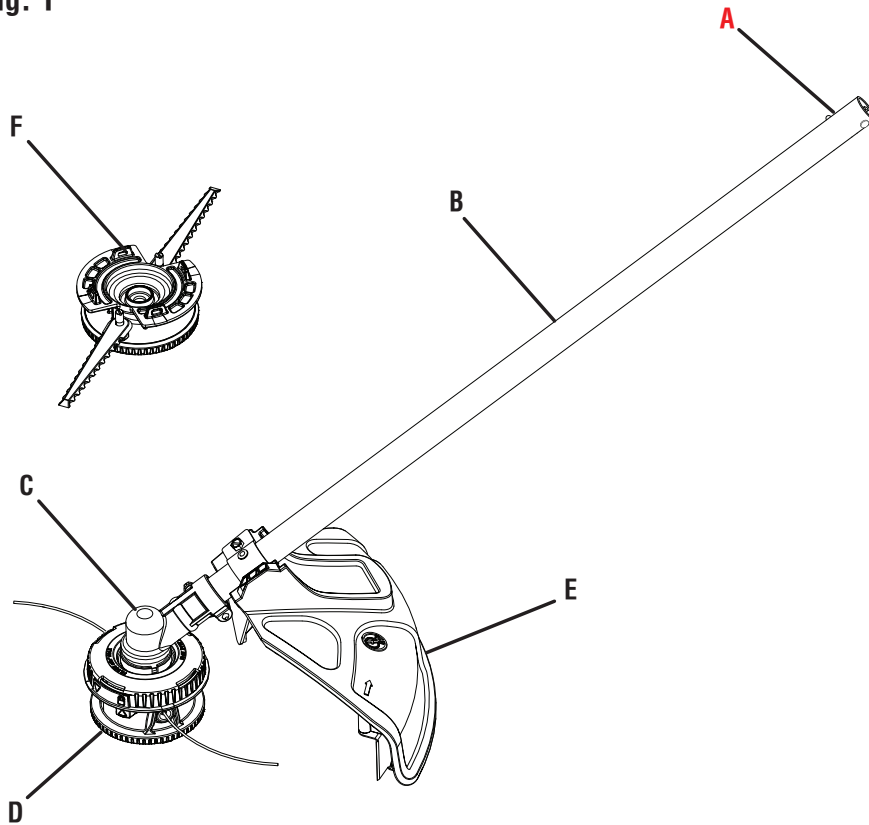
GUARDE ESTE MANUAL PARA FUTURAS CONSULTAS

See this fold-out section for all of the figures referenced in the operator's manual.

Consulter l'encart à volets afin d'examiner toutes les figures mentionnées dans le manuel d'utilisation.

Consulte esta sección desplegable para ver todas las figuras a las que se hace referencia en el manual del operador.

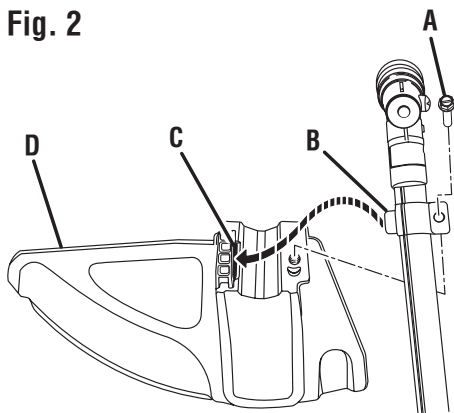
Fig. 1



- A - Hanger cap (capuchon de suspension, tapa de suspensión)
- B - Trimmer shaft (arbre du taille-bordures, eje de la recortadora)
- C - Gear head (carter d'engrenages, cabezal de engranajes)

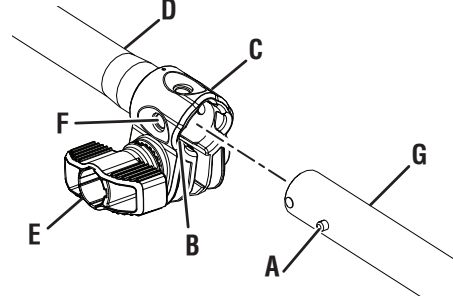
- D - Bump feed trimmer head housing (boîtier de tête à avance par coups, carcasa del cabezal de recortadora de alimentación por golpe)
- E - Grass deflector (déflecteur d'herbe, deflector de pasto)
- F - Fixed line/blade housing (boîtier de fil/lame fixe, carcasa de línea fija/hoja)

Fig. 2



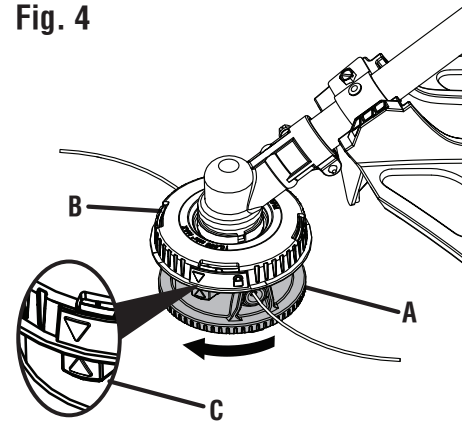
- A - Bolt (boulon, perno)
- B - Tab (languette, orejeta)
- C - Slot (fente, ranura)
- D - Grass deflector (déflecteur d'herbe, deflector de pasto)

Fig. 3



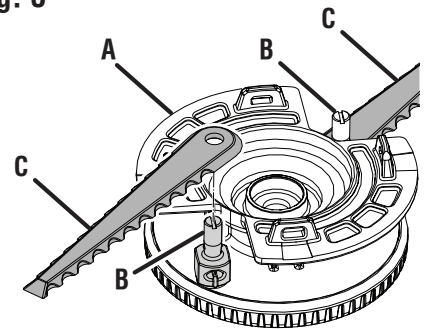
- A - Button (bouton, botón)
- B - Guide recess (logement guide, hueco guía)
- C - Coupler (coupleur, acoplador)
- D - Power head shaft (arbre du bloc moteur, eje del cabezal motor)
- E - Knob (bouton, perilla)
- F - Positioning hole (trou de positionnement, orificio de posicionamiento)
- G - Attachment shaft (arbre d'accessoire, eje del aditamento)

Fig. 4



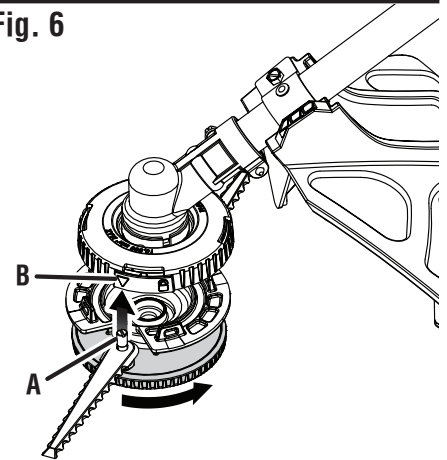
- A - Lower bump feed trimmer head housing (boîtier inférieur de tête à avance par coups, carcasa del cabezal de recortadora de alimentación por golpe inferior)
- B - Upper housing (boîtier supérieur, carcasa superior)
- C - Arrows aligned (flèches alignées, flechas alineadas)

Fig. 5



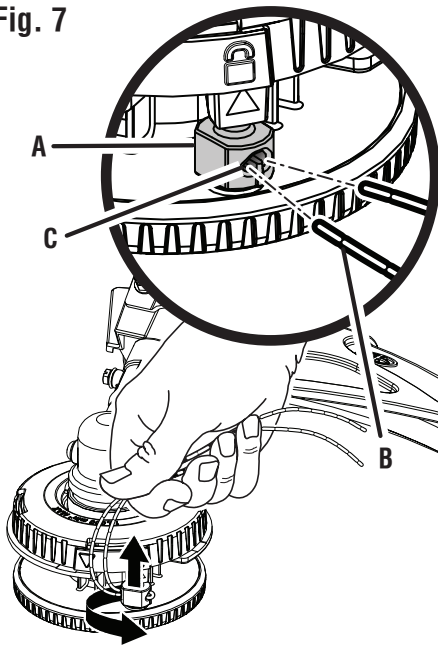
- A - Fixed line/blade housing (boîtier de fil/lame fixe, carcasa de línea fija/hoja)
- B - Posts (poteaux, postes)
- C - Blades (lames, hojas)

Fig. 6



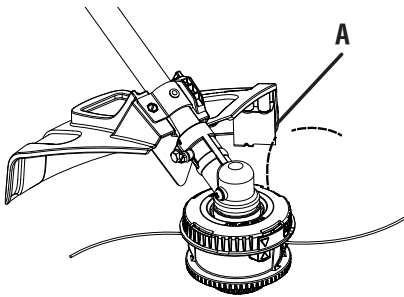
- A - Posts (poteaux, postes)
- B - Arrows (flèches, flechas)

Fig. 7



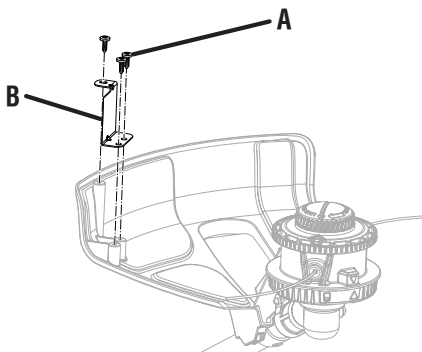
- A - Posts (poteaux, postes)
- B - Pre-cut line (morceau de fil précoupé, trozo de línea precortada)
- C - Eyelet (œillet, ojillos)

Fig. 8



- A - Line cut-off blade (lame coupe-ligne, cuchilla de corte)

Fig. 9



- A - Screw (vis, tornillo)
- B - Line cut-off blade (lame coupe-ligne, cuchilla de corte)

Fig. 10



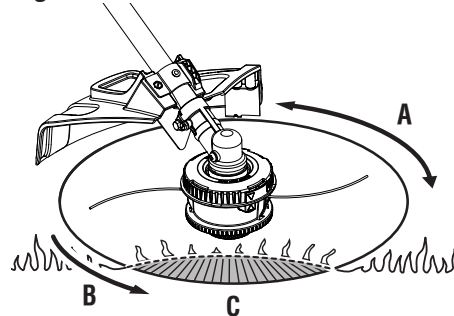
PROPER OPERATING POSITION / BONNE POSITION DE TRAVAIL / POSICIÓN CORRECTA PARA EL MANEJO DE LA HERRAMIENTA

Fig. 11



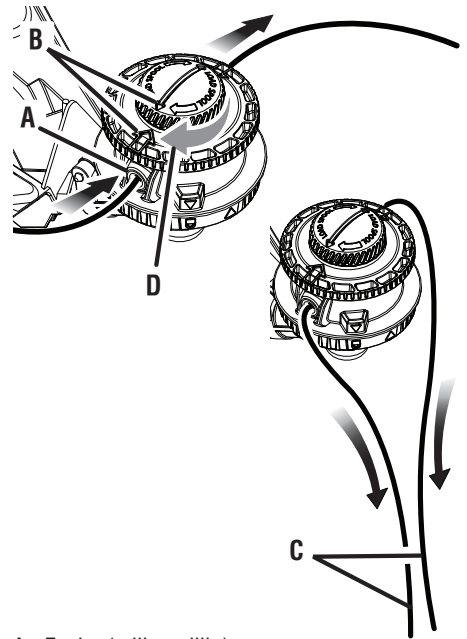
PROPER OPERATING POSITION / BONNE POSITION DE TRAVAIL / POSICIÓN CORRECTA PARA EL MANEJO DE LA HERRAMIENTA

Fig. 12



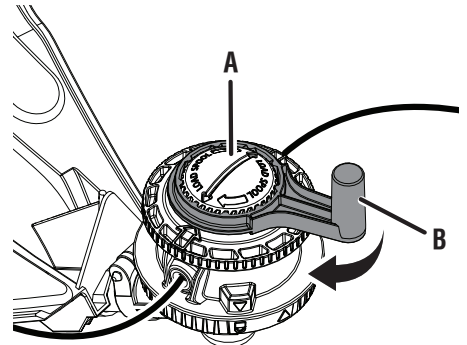
- A - Dangerous cutting area (zone de coupe dangereuse, área peligrosa de corte)
- B - Direction of rotation (sens de rotation, sentido de rotación)
- C - Best cutting area (zone d'efficacité maximum, mejor área de corte)

Fig. 13



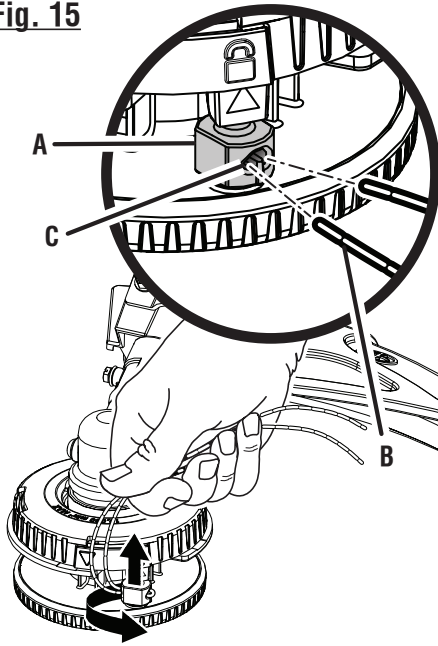
- A - Eyelet (œillet, ojo)
- B - Arrows (flèches, flechas)
- C - Pull lines (tirer vers l'extérieur, tira del hilo)
- D - Rotate the bump knob (tourner le capuchon du mécanisme de coup dans le sens horaire, gire a la derecha el perilla percusiva)

Fig. 14



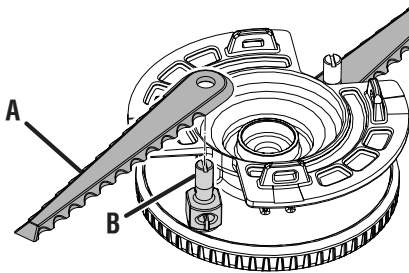
- A - SPEED WINDER™ (SPEED WINDER™, SPEED WINDER™)
- B - Bump knob (capuchon du mécanisme de coup, perilla percusiva)

Fig. 15



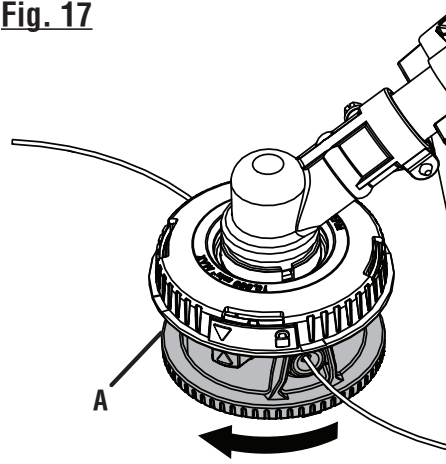
- A - Post (poteau, poste)
- B - Eyelet (œillet, ojillos)
- C - Line (ligne, línea)

Fig. 16



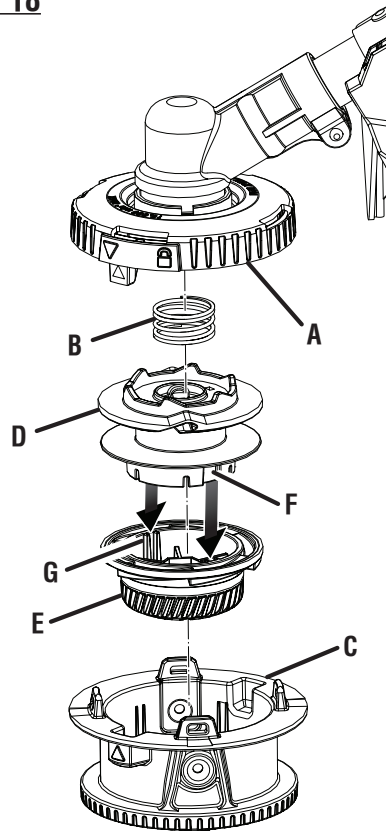
- A - Blade (lame, hoja)
- B - Post (poteau, poste)

Fig. 17



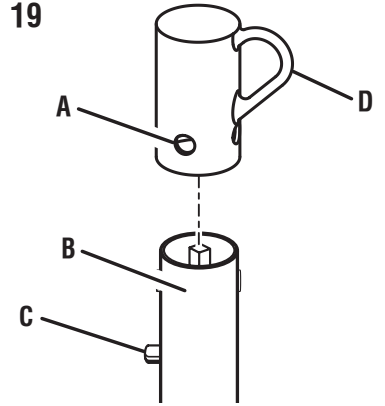
- A - String head housing (boîtier de tête de coupe, alojamiento del cabezal de hilo)

Fig. 18



- A - Upper string head housing (boîtier supérieure de tête de coupe, alojamiento superior del cabezal de hilo)
- B - Spring (ressort, resorte)
- C - Lower string head housing (boîtier inférieur de tête de coupe, alojamiento del cabezal de hilo)
- D - Spool (bobine, carrete)
- E - Bump knob (capuchon du mécanisme de coup, perilla percusiva)
- F - Spool slots (fentes de bobine, ranuras de carrete)
- G - Knob ribs (côte de bouton, costillas de la perilla)

Fig. 19



- A - Hole (trou, orificio)
- B - Secondary hole (trou secondaire, orificio secundario)
- C - Button (bouton, botón)
- D - Hanger cap (capuchon de suspension, tapa de suspensión)

GENERAL SAFETY RULES

WARNING:

Read and understand all instructions. Failure to follow all instructions listed below may result in electric shock, fire, and/or serious personal injury.

SAVE THESE INSTRUCTIONS

- Read these instructions and the instructions for the power head thoroughly before using the straight shaft trimmer attachment.
- Know the tool. Read and understand the operator's manual and observe the warnings and instruction labels affixed to the tool.
- Do not allow children or untrained individuals to use this unit.
- Always wear eye protection with side shields marked to comply with ANSI Z87.1.
- Wear heavy long pants, boots, and gloves. Do not wear loose fitting clothing, short pants, jewelry of any kind, or go barefoot.
- Secure long hair so it is above shoulder level to prevent entanglement in any moving parts.
- Keep all bystanders, children, and pets at least 50 ft. away. Bystanders should be encouraged to wear eye protection.
- Stay alert, watch what you are doing, and use common sense when operating a power tool. Do not use tool while tired or under the influence of drugs, alcohol, or medica-

tion. A moment of inattention while operating power tools may result in serious personal injury.

- Do not operate in poor lighting.
- Do not overreach. Keep proper footing and balance at all times. Proper footing and balance enables better control of the tool in unexpected situations.
- Keep all parts of your body away from any moving part.
- Do not touch areas around the muffler or cylinder of the power head. These parts get hot from operation. Failure to heed this warning could result in possible serious personal injury.
- Always stop the engine and remove the spark plug wire before making any adjustments or repairs except for carburetor adjustments.
- Inspect unit before each use for loose fasteners and damaged or missing parts. Correct before using the trimmer attachment. Failure to do so can cause serious injury.
- Use only original manufacturer's replacement parts. Failure to do so may cause poor performance, possible injury, and will void your warranty.
- Do not, under any circumstance, use any attachment or accessory on this product, which was not provided with the product, or identified as appropriate for use with this product in the operator's manual.
- Avoid dangerous environments. Do not use the attachment in damp or wet locations. Do not use in rain.
- Use the right attachment. Do not use attachment for any job except that for which it is intended.

SPECIFIC SAFETY RULES

- Replace string head if cracked, chipped, or damaged in any way. Be sure the string head is properly installed and securely fastened. Failure to do so can cause serious injury.
- Make sure all deflectors and handles are properly and securely attached.
- Use only flexible, non-metallic line recommended by the manufacturer. Never use wire, wire rope, or flail blades, which can break off and become dangerous projectiles.
- Never operate string trimmer without the grass deflector in place and in good condition.
- Maintain a firm grip on both handles while trimming.

- Keep string head below waist level. Never cut with the string head located over 30 in. or more above the ground.
- Clear the work area before each use. Remove all objects such as rocks, broken glass, nails, wire, or string which can be thrown or become entangled in the cutting line.
- Save these instructions. Refer to them frequently and use them to instruct others who may use this tool. If you loan someone this tool, loan them these instructions also to prevent misuse of the product and possible injury.




NOTE: SEE YOUR POWER HEAD OPERATOR'S MANUAL FOR ADDITIONAL SPECIFIC SAFETY RULES.

GRASS TRIMMER SAFETY WARNINGS







- **Do not use the machine in bad weather conditions, especially when there is a risk of lightning.** This decreases the risk of being struck by lightning.
- **Thoroughly inspect the area for wildlife where the machine is to be used.** Wildlife may be injured by the machine during operation.
- **Thoroughly inspect the area where the machine is to be used and remove all stones, sticks, wires, bones, and other foreign objects.** Thrown objects can cause personal injury.
- **Before using the machine, always visually inspect to see that the cutter or blade and the cutter or blade assembly are not damaged.** Damaged parts increase the risk of injury.
- **Follow instructions for changing accessories.** Improperly tightened blade securing nuts or bolts may either damage the blade or result in it becoming detached.
- **Wear eye, ear, and hand protection.** Adequate protective equipment will reduce personal injury by flying debris or accidental contact with the cutting line or blade.
- **While operating the machine, always wear non-slip and protective footwear. Do not operate the machine when barefoot or wearing open sandals.** This reduces the chance of injury to the feet from contact with the moving blade.
- **While operating the machine, always wear long trousers.** Exposed skin increases the likelihood of injury from thrown objects.
- **Keep bystanders away while operating the machine.** Thrown debris can result in serious personal injury.
- **Always use two hands when operating the machine.** Hold the machine with both hands to avoid loss of control.
- **Hold the grass trimmer by the insulated gripping surfaces only, because the cutting line or blade may contact hidden wiring.** Cutting line or blades contacting a “live” wire may make exposed metal parts of the machine “live” and could give the operator an electric shock.
- **Always keep proper footing and operate the machine only when standing on the ground.** Slippery or unstable surfaces may cause a loss of balance or control of the machine.
- **Do not operate the machine on excessively steep slopes.** This reduces the risk of loss of control, slipping and falling which may result in personal injury.
- **When working on slopes, always be sure of your footing, always work across the face of slopes, never up or down and exercise extreme caution when changing direction.** This reduces the risk of loss of control, slipping and falling which may result in personal injury.
- **Keep all parts of the body away from the cutting line or blade when the machine is operating. Before you start the machine, make sure the cutting line or blade is not contacting anything.** A moment of inattention while operating the machine may result in injury to yourself or others.
- **Do not operate the machine above waist height.** This helps prevent unintended cutter or blade contact and enables better control of the machine in unexpected situations.
- **When cutting brush or saplings that are under tension, be alert for spring back.** When the tension in the wood fibres is released, the brush or sapling may strike the operator and/or throw the machine out of control.
- **Use extreme caution when cutting brush and saplings.** The slender material may catch the blade and be whipped toward you or pull you off balance.
- **Maintain control of the machine and do not touch blades and other hazardous moving parts while they are still in motion.** This reduces the risk of injury from moving parts.
- **Carry the machine with the machine switched off and away from your body.** Proper handling of the machine will reduce the likelihood of accidental contact with the moving blade.
- **Only use replacement cutting lines, cutting heads and blades specified by the manufacturer.** Incorrect replacement parts may increase the risk of breakage and injury.
- **When clearing jammed material or servicing the machine, make sure the switch is off and the battery pack is removed.** Unexpected actuation of the machine while clearing jammed material or servicing may result in serious personal injury.

SYMBOLS

The following signal words and meanings are intended to explain the levels of risk associated with this product.

SYMBOL	SIGNAL	MEANING
	DANGER:	Indicates a hazardous situation, which, if not avoided, will result in death or serious injury.
	WARNING:	Indicates a hazardous situation, which, if not avoided, could result in death or serious injury.
	CAUTION:	Indicates a hazardous situation, that, if not avoided, may result in minor or moderate injury.
	NOTICE:	(Without Safety Alert Symbol) Indicates information considered important, but not related to a potential injury (e.g. messages relating to property damage).

Some of the following symbols may be used on this product. Please study them and learn their meaning. Proper interpretation of these symbols will allow you to operate the product better and safer.

SYMBOL	NAME	EXPLANATION
	Safety Alert Symbol	Indicates a potential personal injury hazard.
	Read Operator's Manual	To reduce the risk of injury, user must read and understand operator's manual before using this product.
	Eye and Hearing Protection	Always wear eye protection with side shields marked to comply with ANSI Z87.1, along with hearing protection when operating this equipment.
	Keep Bystanders Away	Keep all bystanders at least 50 ft. away.
	Ricochet	Thrown objects can ricochet and result in personal injury or property damage.
	No Blade	Do not install or use any type of blade on a product displaying this symbol.

FEATURES

PRODUCT SPECIFICATIONS

Line Cutting Width.....	13 in. and 15 in.
Line Diameter:	
Gas Power Head.....	0.080 in. to 0.095 in. max.
Cordless Power Head	0.080 in. max. round or 0.095 in. twisted
Electric Power Head.....	0.080 in. max. round or 0.080 in. to 0.095 in. max. twisted

KNOW YOUR STRING TRIMMER ATTACHMENT

See Figure 1.

The safe use of this product requires an understanding of the information on the product and in this operator's manual as well as a knowledge of the project you are attempting. Before use of this product, familiarize yourself with all operating features and safety rules.

ADJUSTABLE CUTTING DIAMETER

The cutting diameter is adjustable from 13 in. and 15 in. by rotating the line cutoff blade.

BUMP FEED TRIMMER HEAD HOUSING

Use the bump feed trimmer head housing for string trimming when using spooled replacement line.

FIXED LINE/BLADE HOUSING

Install the fixed line/blade housing when using pre-cut trimmer line for string trimming or the provided blades for cutting thicker weeds or pulpy stalks.

GRASS DEFLECTOR

The trimmer includes a grass deflector that helps protect you from flying debris.

ASSEMBLY

UNPACKING

This product requires assembly.

- Carefully remove the items from the box. Make sure that all items listed in the **Packing List** are included.

WARNING:

Do not use this product if any parts in the **Packing List** are already assembled to your product when you unpack it. Parts on this list are not assembled to the product by the manufacturer and require customer installation. Use of a product that may have been improperly assembled could result in serious personal injury.

- Inspect the unit carefully to make sure no damage occurred during shipping.
- Do not discard the packing material until you have carefully inspected and satisfactorily operated the product.
- If any parts are damaged or missing, please call 1-800-525-2579 for assistance.

PACKING LIST

RYOBI™ EXPAND-IT Straight Shaft Trimmer Attachment
(with Bump Feed Trimmer Head Housing installed)
SPEED WINDER™
Fixed Line/Blade Housing
0.095 in. Spiral Replacement Line
0.095 in. Pre-cut Line Pieces
Trimmer Head Blades
Grass Deflector
Operator's Manual

WARNING:

If any parts are damaged or missing do not operate this product until the parts are replaced. Use of this product with damaged or missing parts could result in serious personal injury.

WARNING:

Do not attempt to modify this product or create accessories not recommended for use with this product. Any such alteration or modification is misuse and could result in a hazardous condition leading to possible serious personal injury.

ASSEMBLY

WARNING:

Do not connect to power head until assembly is complete. Failure to comply could result in accidental starting and possible serious personal injury.

ATTACHING THE GRASS DEFLECTOR

See Figure 2.

WARNING:

The line cut-off blade on the grass deflector is sharp. Avoid contact with the blade. Failure to avoid contact can result in serious personal injury.

NOTE: Install the grass deflector before the attachment is connected to the power head.

- Remove the bolt from the grass deflector.
- Insert the tab on the mounting bracket in the slot on the grass deflector.
- Align the hole in the mounting bracket with the hole in the grass deflector.
- Insert the bolt through the mounting bracket and into the grass deflector.
- Tighten the bolt securely.

JOINING THE POWER HEAD TO THE STRAIGHT SHAFT TRIMMER ATTACHMENT

See Figure 3.

WARNING:

Never attach or adjust any attachment while power head is running. Failure to stop the engine or motor may cause serious personal injury.

The trimmer attachment connects to the power head by means of a coupler device.

- Remove the hanger cap from the attachment shaft.
- Loosen the knob on the coupler of the power head shaft.
- Push in the button located on the trimmer attachment. Align the button with the guide recess on the power head coupler and slide the two shafts together. Rotate attachment shaft until button locks into the positioning hole.

NOTE: If the button does not release completely in the positioning hole, the shafts are not locked into place. Slightly rotate from side to side until the button is locked into place.

- Tighten the knob securely.

WARNING:

Be certain the knob is fully tightened before operating equipment. Check it periodically for tightness during use to avoid serious injury.

REMOVING THE ATTACHMENT FROM THE POWER HEAD

For removing or changing the attachment:

- Stop the engine or motor.
- Loosen the knob.
- Push in the button and twist the shafts to remove and separate ends.

INSTALLING THE FIXED LINE/BLADE HOUSING

See Figures 4 - 7.

NOTE: Do not attempt to install line and blades in the fixed line/blade housing at the same time.

- Stop the engine or motor, disconnect the spark plug wire for gas power heads, remove the battery pack for cordless power heads, or disconnect the plug from the power source for electric power heads.
- Remove the bump feed trimmer head housing by rotating the lower housing counterclockwise so the arrow on the upper housing aligns with the outside arrow on the bump feed housing.

NOTE: The housing is spring loaded and will self eject when unlocked. It is not necessary to remove the upper string head housing from the drive shaft.

- If you intend to use the fixed line/blade housing with blades, install the blades onto the posts now.
 - Place the blade over the post and press down until it is fully seated.
- Align the posts on the fixed line/blade housing with the arrows on the upper housing.
- Push the housing together and rotate the lower housing clockwise until the arrow aligns with the lock symbol on the upper housing to secure the head in place.
- If you did not install blades and intend to use the fixed line/blade housing with pre-cut line instead, install the line now.
 - Fold a piece of pre-cut line in half so each half is equal in length.
 - Insert the ends of the line through the eyelets in the post and pull tight.
 - Repeat with the other post.
- The fixed line/blade housing is now ready to use.

OPERATION

WARNING:

Do not allow familiarity with this product to make you careless. Remember that a careless fraction of a second is sufficient to inflict serious injury.

WARNING:

Always wear eye protection with side shields marked to comply with ANSI Z87.1. Failure to do so could result in objects being thrown into your eyes, resulting in possible serious injury.

WARNING:

Never use blades, flailing devices, wire, or rope on this product. Do not use any attachments or accessories not recommended by the manufacturer of this product. The use of attachments or accessories not recommended can result in serious personal injury.

NOTICE:

Before each use, inspect the entire product for damaged, missing, or loose parts such as screws, nuts, bolts, caps, etc. Tighten securely all fasteners and caps and do not operate this product until all missing or damaged parts are replaced. Please contact customer service or a qualified service center for assistance.

APPLICATIONS

You may use this product for the purpose listed below:

- Trimming grass and weeds from around porches, fences, and decks when using with trimmer line
- Cutting thicker weeds or pulpy stalks when using blades

LINE TRIMMING CUT-OFF BLADE

See Figures 8 - 9.

The trimmer is equipped with a line trimming cut-off blade on the grass deflector. For best cutting, advance line until it is trimmed to length by the cut-off blade. Advance the line whenever you hear the engine running faster than normal, or when trimming efficiency diminishes. This will maintain best performance and keep the line long enough to advance properly.

This trimmer is currently set at the 13 in. cutting swath. To adjust to a cutting swath of 15 in.:

- Stop the engine or motor.
- Loosen the blade screw then rotate the line cut-off blade 180°.
- Tighten the blade screw.

OPERATING THE TRIMMER

See Figures 10-11.

WARNING:

Engine housing on gas power heads may become hot during trimmer operation. Do not rest or place your arm, hand, or any body part against the engine housing during trimmer operation. Only hold the trimmer as shown in figures 10-11, with all body parts clear of engine housing. Extended contact with the engine housing can result in burns or other injuries.

WARNING:

Always position the unit on the operator's right side. The use of the unit on the operator's left side will expose the user to hot surfaces and can result in possible burn injury.

WARNING:

To avoid burns from hot surfaces, never operate unit with the bottom of the engine above waist level.

Hold the trimmer with your right hand on the rear handle and your left hand on the front handle. Keep a firm grip with both hands while in operation. Trimmer should be held at a comfortable position with the rear handle about hip height.

Always operate trimmer at full throttle for gas power heads or with the switch trigger fully pressed for cordless and electric power heads. Cut tall grass from the top down. This will prevent grass from wrapping around the shaft housing and string head which may cause damage from overheating. If grass becomes wrapped around the string head, STOP THE ENGINE or MOTOR, disconnect the spark plug wire for gas power heads, remove the battery pack for cordless power heads, or disconnect the plug from the power source for electric power heads, and remove the grass. Prolonged cutting at partial throttle will result in lubricant dripping from the muffler.

WARNING:

Always hold the string trimmer away from the body keeping clearance between the body and the product. Any contact with the housing or string trimmer cutting head can result in burns and/or other serious personal injury.

CUTTING TIPS

See Figures 10 - 12.

- Avoid hot surfaces by always keeping the tool away from your body. (Proper operating positions shown in figures 10-11.)
- Keep the trimmer tilted toward the area being cut; this is the best cutting area.

OPERATION

- The trimmer cuts when passing the unit from left to right. This will avoid throwing debris at the operator. Avoid cutting in the dangerous area shown in figure 12.
- Use the tip of line to do the cutting; do not force string head into uncut grass.
- Wire and picket fences cause extra line wear and breakage. Stone and brick walls, curbs, and wood may wear line rapidly.
- Avoid trees and shrubs. Tree bark, wood moldings, siding, and fence posts can easily be damaged by the line.
- Do not attempt to touch or stop moving accessory. Coasting blades or line can cause injury.

When using blades:

- Do not attempt to use the fixed line/blade housing for edging. This will cause premature wear on the blades.
- Inspect trimmer head before each use and periodically during long periods of use. If either blade is bent, warped, cracked, chipped, or damaged, discontinue use immediately and replace the blades.
- Never cut any material over 1/4 in. diameter.
- After releasing the switch trigger, keep rotating accessory in thicker weeds or pulpy stalks until it stops. Maintain proper control until the accessory has completely stopped rotating.

WARNING:

To avoid damaging blades or fixed line/blade housing, allow at least 1 foot of clearance between the blades and any nearby objects. Never use blades near sidewalks, fencing, posts, siding, buildings, or other immovable objects. Damaged blades or accessories can cause serious personal injury.

ADVANCING THE CUTTING LINE ON THE BUMP FEED TRIMMER HEAD

Line advance is controlled by tapping the string head on grass while running motor at full speed.

- Run engine at full throttle for gas power heads or with the switch trigger fully pressed for cordless and electric power heads.
- Tap the bump knob on ground to advance line. The line advances each time the knob is tapped. Do not hold the knob on the ground.

NOTE: The line trimming cut-off blade on the grass deflector will cut the line to the correct length.

NOTE: If the line is worn too short you may not be able to advance the line by tapping it on the ground. If so, STOP THE ENGINE or MOTOR, disconnect the spark plug wire for gas power heads, remove the battery pack for cordless power heads, or disconnect the plug from the power source for electric power heads, and manually advance the line.

To advance the cutting line manually:

- Stop the engine or motor, disconnect the spark plug wire for gas power heads, remove the battery pack for cordless power heads, or disconnect the plug from the power source for electric power heads.
- Push the bump knob in while pulling on line(s) to manually advance the line.

MAINTENANCE

WARNING:

Before inspecting, cleaning, or servicing the machine, shut off engine or motor, wait for all moving parts to stop, and disconnect spark plug wire and move it away from spark plug or disconnect from power supply. Failure to follow these instructions can result in serious personal injury or property damage.

WARNING:

Always wear eye protection with side shields marked to comply with ANSI Z87.1. Failure to do so could result in objects being thrown into your eyes, resulting in possible serious injury.

WARNING:

When servicing, use only identical replacement parts. Use of any other parts could create a hazard or cause product damage.

NOTICE:

Periodically inspect the entire product for damaged, missing, or loose parts such as screws, nuts, bolts, caps, etc. Tighten securely all fasteners and caps and do not operate this product until all missing or damaged parts are replaced. Please contact customer service or a qualified service center for assistance.

GENERAL MAINTENANCE

Avoid using solvents when cleaning plastic parts. Most plastics are susceptible to damage from various types of commercial solvents and may be damaged by their use. Use clean cloths to remove dirt, dust, oil, grease, etc.

WARNING:

Do not at any time let brake fluids, gasoline, petroleum-based products, penetrating oils, etc., come in contact with plastic parts. Chemicals can damage, weaken or destroy plastic which could result in serious personal injury.

LINE AND BLADE REPLACEMENT

See Figures 13 - 16.

Use original manufacturer's replacement line for best performance.

- Stop the engine or motor, disconnect the spark plug wire for gas power heads, remove the battery pack for cordless power heads, or disconnect the plug from the power source for electric power heads.

When using the bump feed trimmer head:

- Rotate the bump knob clockwise as necessary to align the arrows on the bump knob with the arrows on the string head housing.
- Cut one piece of trimmer line 10 ft. long. Insert the line into the eyelet on the string head housing. Push until the end of the line comes out the other side of the housing. Pull the line until equal amounts of line appear on both sides of the housing.

NOTE: Line may jam if more than 10 ft. is loaded.

- Either by hand or using the SPEED WINDER™, rotate the bump knob clockwise to wind the line on the spool until approximately 6 in. of line is showing on each side.

NOTE: For best results, after every five to seven revolutions of the SPEED WINDER™, pull both line ends taut for best loading results and to help prevent line from tangling.

- Push the bump knob down while pulling on line(s) to manually advance the line.

When using line in the fixed line/blade housing:

- Remove old line from the string head by pulling one side of the line.
- Fold an 11 in. piece of pre-cut line in half so each half is equal in length.
- Insert the ends of the line through the eyelet in the post and pull tight.
- Repeat with the other post.

When using blades in the fixed line/blade housing:

- Remove the fixed line/blade housing by rotating the lower housing counterclockwise so the posts and the arrows on the upper housing align, then pull the lower housing away from the upper housing.
- Remove the used blades and discard.
- Install the new blades, making sure they are fully seated.
- Reinstall the fixed line/blade housing as previously described.

CLEARING BUMP FEED TRIMMER HEAD LINE JAM AND/OR REPLACING BUMP KNOB

See Figures 17 - 18.

- Stop the engine or motor, disconnect the spark plug wire for gas power heads, remove the battery pack for cordless power heads, or disconnect the plug from the power source for electric power heads.
- Remove the bump feed trimmer head housing by rotating the lower housing counterclockwise so the arrow on the upper housing aligns with the outside arrow on the bump feed housing.

NOTE: The housing is spring loaded and will self eject when unlocked. It is not necessary to remove the upper string head housing from the drive shaft.

MAINTENANCE

- Push the spool and bump knob through the string head housing and remove the string from the spool.
- If replacing the bump knob, remove the old knob from the spool. Align the knob ribs with the spool slots and place the new bump knob onto the spool. If you are not replacing the bump knob, skip this step.
- Insert the bump knob and spool assembly through the opening in the string head housing.
- Align the arrows on the lower string head housing with the arrows on the upper string head housing.
- Push the housing together and rotate the lower housing clockwise until the arrows on the lower housing are aligned with the lock on the upper housing.
- Install line as described in **Line and Blade Replacement**.

ATTACHING THE STORAGE HANGER

See Figure 19.

There are two ways to hang the attachment for storage.

- To use the hanger cap, push in the button and place the hanger cap over the end of the attachment shaft. Slightly rotate the cap from side to side until the button locks into place.
- The secondary hole in the attachment shaft can be used for hanging purposes as well.

STORING THE ATTACHMENT

- Store the attachment in a well-ventilated place that is inaccessible to children.
- Keep away from corrosive agents such as garden chemicals and deicing salts.

REPLACEMENT PARTS

0.095 in. Spiral Replacement Line (Bulk).....AC04148
 0.095 in. Spiral Replacement Line (Pre-cut).....AC053N1FL
 Replacement Blades AC053N1FB
Available at homedepot.com

TROUBLESHOOTING

PROBLEM	POSSIBLE CAUSE	SOLUTION
Line will not advance	Line is welded to itself.	Lubricate with silicone spray.
	Not enough line on spool.	Install more line. Refer to Line and Blade Replacement earlier in this manual.
	Line is worn too short.	Pull lines while alternately pressing down on and releasing bump knob.
	Line is tangled on spool.	Remove line from spool and rewind. Refer to Line and Blade Replacement earlier in this manual.
Grass wraps around boom housing and string head	Cutting tall grass at ground level.	Cut tall grass from the top down to prevent wrapping.



CALL US FIRST

For any questions about operating or maintaining your product, call the RYOBI Help Line!
 Your product has been fully tested prior to shipment to ensure your complete satisfaction.

This product has a Five-year Limited Warranty for personal, family, or household use (90 days for business or commercial use). For warranty details, visit www.ryobitools.com or call (toll free) 1-800-525-2579.

RÈGLES DE SÉCURITÉ GÉNÉRALES



AVERTISSEMENT :

Lire et veiller à bien comprendre toutes les instructions. Le non-respect de toutes les instructions ci-dessous peut entraîner un choc électrique, un incendie et/ou des blessures graves.

CONSERVER CES INSTRUCTIONS

- Lire attentivement ces instructions et celles du moteur avant d'utiliser cet accessoire.
- Apprendre à connaître l'outil. Lire et veiller à bien comprendre le manuel de l'opérateur et observer les avertissements et les instructions des autocollants apposés sur l'outil.
- Ne pas laisser des enfants ou des personnes n'ayant pas reçu une formation adéquate utiliser cet outil.
- Toujours porter une protection oculaire avec écrans latéraux certifiée conforme à la norme ANSI Z87.1.
- Porter des pantalons longs, des chaussures de travail et des gants épais. Ne pas porter de vêtements amples, shorts, bijoux quels qu'ils soient et ne pas travailler pieds nus.
- Attacher les cheveux longs pour les maintenir au-dessus des épaules, afin qu'ils ne se prennent pas dans les pièces en mouvement.
- Garder les badauds, enfants et animaux domestiques à une distance minimum de 15 m (50 pi). Recommander aux personnes présentes de porter une protection oculaire.
- Rester attentif, prêter attention au travail, et faire preuve de bon sens lors de l'utilisation de tout outil électrique. Ne pas utiliser cet outil en état de fatigue ou sous l'influence d'alcool, de drogues ou de médicaments. Un moment d'inattention pendant l'utilisation d'un outil électrique peut entraîner des blessures graves.

- Ne pas travailler sous un éclairage insuffisant.
- Ne pas travailler hors de portée. Toujours se tenir bien campé et en équilibre. Des pieds bien campés et un bon équilibre permettent de mieux contrôler l'outil en cas de situation imprévue.
- Garder toutes les parties du corps à l'écart des pièces en mouvement.
- Ne pas toucher les zones autour de l'échappement ou du cylindre du moteur. Ces pièces deviennent très chaudes en cours de fonctionnement. Ne pas prendre cette précaution pourrait entraîner des blessures graves.
- Toujours arrêter le moteur et débrancher le fil de la bougie avant d'effectuer tout entretien ou réglage, à l'exception des réglages du carburateur.
- Inspecter l'appareil avant chaque utilisation pour s'assurer qu'il n'y a pas de fixations desserrées ou de pièces endommagées ou manquantes. Effectuer les corrections requises avant d'utiliser l'accessoire taille-bordures. Ne pas prendre cette précaution peut entraîner des risques de blessures graves.
- Utiliser exclusivement des pièces de rechange d'origine. Toute dérogation peut entraîner un mauvais fonctionnement, des blessures graves et l'annulation de la garantie.
- N'utiliser en aucun cas un accessoire non fourni avec le produit, ou non indiqué comme pouvant être utilisé sur l'outil dans le manuel d'utilisation.
- Éviter les environnements dangereux. Ne pas utiliser l'accessoire dans des endroits humides ou mouillés. Ne pas utiliser sous la pluie.
- Utiliser l'accessoire approprié. Ne pas utiliser l'accessoire dans une application pour laquelle il n'a pas été prévu.

RÈGLES DE SÉCURITÉ PARTICULIÈRES

- Si la tête de coupe est fendue, brisée ou endommagée de quelque façon que ce soit, la remplacer. S'assurer que la tête de coupe est correctement installée et solidement assujettie. Ne pas prendre cette précaution peut entraîner des risques de blessures graves.
- S'assurer que tous les déflecteurs et toutes les poignées sont correctement installés et solidement fixés.
- N'utiliser que le fil flexible et non métallique recommandé par le fabricant. Ne jamais utiliser un fil métallique, un câble ou des lames de fléau susceptibles de devenir des projectiles dangereux.
- Ne jamais utiliser le taille-bordures si le déflecteur d'herbe n'est pas en place et en bon état.
- Tenir fermement les deux poignées pendant le travail.
- Tenir la tête de coupe au-dessous du niveau de la taille. Ne jamais couper en tenant la tête de coupe à plus de 76 centimètres (30 po) du sol.
- Débayer la zone de travail avant chaque utilisation. La débarrasser de tous les objets tels que cailloux, verre brisé, clous, fils métalliques, cordes, etc. risquant d'être projetés ou de se prendre dans la ligne de coupe.
- Conserver ces instructions. Les consulter fréquemment et les utiliser pour instruire les autres utilisateurs éventuels. Si cet outil est prêté, il doit être accompagné de ces instructions, afin d'éviter un usage incorrect et d'éventuelles blessures.




NOTE : CONSULTEZ LE MANUEL D'UTILISATION DE BLOC MOTEUR POUR DE TÊTE POUR DES SUPPLEMENTAIRE RÈGLES DE SÉCURITÉ PARTICULIÈRES.

AVERTISSEMENTS DE SÉCURITÉ POUR COUPE-HERBE







- **Ne pas utiliser la machine dans de mauvaises conditions météorologiques, surtout lorsqu'il y a un risque de foudre.** Ceci évitera le risque d'être frappé par la foudre.
- **Inspecter soigneusement la zone pour déterminer si un animal se trouve où la machine doit être utilisée.** La faune peut être blessée par la machine pendant son fonctionnement.
- **Inspecter soigneusement la zone où la machine doit être utilisée, et retirer tous les pierres, les bâtons, les fils, les os et autres objets étrangers.** Les objets projetés peuvent provoquer des blessures.
- **Avant d'utiliser la machine, toujours inspecter visuellement pour vous assurer que la ligne de coupe ou la lame et l'ensemble de ligne ou de lame ne sont pas endommagés.** Les pièces endommagées augmentent le risque de blessure.
- **Suivre les instructions pour changer les accessoires.** Les écrous ou les boulons retenant la lame mal serrés peuvent endommager la lame ou lui permettre de se détacher.
- **Porter une protection pour les yeux, les oreilles et les mains.** Un équipement de protection adéquat réduira les blessures causées par des débris volants ou un contact accidentel avec la ligne de coupe ou la lame.
- **Lors de l'utilisation de la machine, toujours porter des chaussures antidérapantes et protectrices. Ne pas utiliser la machine pieds nus ou avec des sandales ouvertes.** Cela réduit les risques de blessures aux pieds en cas de contact avec la lame en mouvement.
- **Lors de l'utilisation de la machine, toujours porter un pantalon.** La peau exposée augmente la probabilité de blessures causées par des objets projetés.
- **Éloigner les personnes présentes lors de l'utilisation de la machine.** Les débris projetés peuvent entraîner des blessures graves.
- **Toujours utiliser les deux mains lors de l'utilisation de la machine.** Tenir la machine à deux mains pour éviter toute perte de contrôle.
- **Tenir le coupe-herbe par les surfaces de préhension isolées uniquement, car la ligne de coupe ou la lame peuvent entrer en contact avec des fils cachés.** La ligne de coupe ou les lames entrant en contact avec un fil sous tension peuvent rendre « sous tension » les parties métalliques exposées de la machine et électrocuter l'opérateur.
- **Toujours se tenir bien campé et n'utiliser la machine que lorsqu'on est debout au sol.** Les surfaces glissantes ou instables peuvent entraîner une perte d'équilibre ou de contrôle de la machine.
- **Ne pas utiliser la machine sur des pentes trop raides.** Cela réduit le risque de perte de contrôle, de glissement et de chute pouvant entraîner des blessures.
- **Lorsqu'on travaille sur des pentes, toujours s'assurer de sa position, toujours travailler à l'horizontale sur la face des pentes, pas en la montant et en la descendant, et être extrêmement prudent lors du changement de direction.** Cela réduit le risque de perte de contrôle, de glissement et de chute pouvant entraîner des blessures.
- **Garder toutes les parties du corps éloignées de la ligne de coupe ou de la lame lorsque la machine fonctionne. Avant de démarrer la machine, s'assurer que la ligne de coupe ou la lame n'entre en contact avec rien.** Un moment d'inattention lors de l'utilisation de la machine peut entraîner des blessures à vous-même ou à autrui.
- **Ne pas utiliser la machine au-dessus de la taille.** Cela permet d'éviter tout contact involontaire de la ligne de coupe ou de la lame et permet un meilleur contrôle de la machine dans des situations inattendues.
- **Lorsqu'on coupe des broussailles ou de jeunes arbres qui sont sous tension, faire attention au rebond.** Lorsque la tension dans les fibres de bois est relâchée, la broussaille ou les jeunes arbres peuvent frapper l'opérateur ou faire perdre le contrôle sur la machine.
- **Être extrêmement prudent lors de la coupe des broussailles et des jeunes arbres.** Le matériau mince peut attraper la lame et être fouetté vers vous ou vous déséquilibrer.
- **Garder le contrôle de la machine et ne pas toucher les lames et autres pièces mobiles dangereuses pendant qu'elles sont encore en mouvement.** Cela réduit le risque de blessure causée par les pièces mobiles.
- **Transporter la machine arrêtée loin de votre corps.** Une manipulation correcte de la machine réduira les risques de contact accidentel avec la lame en mouvement.
- **Utiliser uniquement des lignes de coupe, des têtes de coupe et des lames de rechange indiquées par le fabricant.** Des pièces de rechange incorrectes peuvent augmenter le risque de bris et de blessure.
- **Lorsqu'on dégage un matériau coincé ou qu'on effectue l'entretien de la machine, s'assurer que l'interrupteur est éteint et que la pile est retirée.** Un actionnement inattendu de la machine lors du nettoyage du matériau coincé ou de l'entretien peut entraîner des blessures graves.

SYMBOLES

Les termes de mise en garde suivants et leur signification ont pour but d'expliquer le degré de risques associé à l'utilisation de ce produit.

SYMBOLE	SIGNAL	SIGNIFICATION
	DANGER :	Indique une situation dangereuse qui, si elle n'est pas évitée, aura pour conséquences des blessures graves ou mortelles.
	AVERTISSEMENT :	Indique une situation dangereuse qui, si elle n'est pas évitée, pourrait entraîner des blessures graves ou mortelles.
	ATTENTION :	Indique une situation dangereuse qui, si elle n'est pas évitée, pourrait entraîner des blessures légères ou de gravité modérée.
	AVIS :	(Sans symbole d'alerte de sécurité) Indique les informations jugées importantes sans toutefois représenter un risque de blessure (ex. : messages concernant les dommages matériels).

Certains des symboles ci-dessous peuvent être présents sur la produit. Veiller à les étudier et à apprendre leur signification. Une interprétation correcte de ces symboles permettra d'utiliser la produit plus efficacement et de réduire les risques.

SYMBOLE	NOM	EXPLICATION
	Symbole d'alerte de sécurité	Indique un risque de blessure potentiel.
	Lire le manuel d'utilisation	Pour réduire les risques de blessures, l'utilisateur doit lire et veiller à bien comprendre le manuel d'utilisation avant d'utiliser ce produit.
	Protection oculaire et auditive	Toujours porter une protection oculaire avec écrans latéraux certifiée conforme à la norme ANSI Z87.1. ainsi qu'un protection auditive.
	Ne laisser personne s'approcher	Ne jamais laisser quiconque se tenir à moins de 15 m (50 pi) de l'outil.
	Ricochet	Les objets projetés peuvent ricocher et infliger des blessures ou causer des dommages matériels.
	Ne pas utiliser de lame	Ne jamais utiliser une lame quelconque sur un outil portant ce symbole.

CARACTÉRISTIQUES

FICHE TECHNIQUE

Largeur de coupe de ligne.....	330 et 381 mm (13 po et 15 po)
Diamètre de coupe :	
Ensemble moteur à essence.....	2,0 mm à 2,4 mm max. (0,08 po à 0,095 po max.)
Ensemble moteur sans fil.....	2,0 mm max. (0,08 po max.) rond ou 2,4 mm (0,095 po) torsadé
Ensemble moteur électrique	2,0 mm max. (0,08 po max.) rond ou 2,0 mm à 2,4 mm max. (0,08 po à 0,095 po max.) torsadé

APPRENDRE À CONNAÎTRE L'ACCESSOIRE TAILLE-BORDURES À ARBRE DROIT

Voir la figure 1.

La sécurité d'utilisation de ce produit exige la compréhension des informations apposées sur le produit et contenues dans ce manuel d'utilisation, ainsi que la connaissance du travail à exécuter. Avant d'utiliser ce produit, se familiariser avec toutes ses fonctions et règles de sécurité.

DIAMÈTRE DE COUPE RÉGLABLE

Les diamètres de coupe de 330 et 381 mm (13 et 15 po) se règlent en tournant la lame de sectionnement du fil.

BOÎTIER DE TÊTE À AVANCE PAR COUPS

Se servir du boîtier de tête à avance par coups pour tailler les bordures lorsqu'un fil de remplacement embobiné est utilisé.

BOÎTIER DE FIL/LAME FIXE

Installer le boîtier de fil/lame fixe lors de l'utilisation d'un fil précoupé pour tailler les bordures ou des lames fournies pour couper les mauvaises herbes plus épaisses ou les tiges pulpeuses.

DÉFLECTEUR D'HERBE

Le taille-bordures est équipé d'un déflecteur d'herbe qui protège l'opérateur des débris projetés.

ASSEMBLAGE

DÉBALLAGE

Ce produit nécessite l'assemblage

- Avec précaution, sortir le produit et les accessoires de la boîte. S'assurer que toutes les pièces figurant sur la **Liste de contrôle d'expédition** sont incluses.

AVERTISSEMENT :

Ne pas utiliser le produit si, en le déballant, vous constatez que des éléments figurant dans la **Liste de contrôle d'expédition** sont déjà assemblés. Certaines pièces figurant sur cette liste n'ont pas été assemblées par le fabricant et exigent une installation. Le fait d'utiliser un produit qui a été assemblé de façon inadéquate peut entraîner des blessures.

- Examiner soigneusement le produit pour s'assurer que rien n'a été brisé ou endommagé en cours de transport.
- Ne pas jeter les matériaux d'emballage avant d'avoir soigneusement examiné le produit et avoir vérifié qu'il fonctionne correctement.
- Si des pièces sont manquantes ou endommagées, appeler le 1-800-525-2579.

LISTE DE CONTRÔLE D'EXPÉDITION

Arbre droit accessoire Taille-bordures RYOBI™ EXPAND-IT (avec le boîtier de tête à avance par coups installé)
SPEED WINDER™
Boîtier de fil/lame fixe
Fil de remplacement spirale de 2,4 mm (0,095 po)
Morceaux de fil précoupé de 2,41 mm (0,095 po)
Lames de tête de taille-bordures
Déflecteur d'herbe
Manuel d'utilisation

AVERTISSEMENT :

Si des pièces manquent ou sont endommagées, ne pas utiliser ce produit avant qu'elles aient été remplacées. Le fait d'utiliser ce produit même s'il contient des pièces endommagées ou s'il lui manque des pièces peut entraîner des blessures graves.

AVERTISSEMENT :

Ne pas essayer de modifier cet produit ou de créer des accessoires non recommandés pour le produit. De telles altérations ou modifications sont considérées comme un usage abusif et peuvent créer des conditions dangereuses, risquant d'entraîner des blessures graves.

ASSEMBLAGE

AVERTISSEMENT :

Ne pas brancher sur le bloc-moteur avant d'avoir terminé l'assemblage. Le non-respect de cet avertissement peut causer un démarrage accidentel, entraînant des blessures graves.

INSTALLATION DU DÉFLECTEUR D'HERBE

Voir la figure 2.

AVERTISSEMENT :

La lame coupe ligne du déflecteur est tranchante. Éviter de la toucher. Le contact avec la lame peut causer des blessures graves.

NOTE : Installer le déflecteur d'herbe avant de fixer l'accessoire sur l'ensemble moteur.

- Retirer le boulon du déflecteur d'herbe.
- Insérer la languette du support de montage dans la fente du déflecteur d'herbe.
- Aligner le trou du support de montage sur le trou du déflecteur d'herbe.
- Insérer le boulon dans le support et le déflecteur d'herbe.
- Serrer le boulon fermement.

RACCORDEMENT DU BLOC-MOTEUR À L'ACCESSOIRE TAILLE-BORDURES À ARBRE DROIT

Voir la figure 3.

AVERTISSEMENT :

Ne jamais installer ou ajuster un accessoire lorsque le moteur tourne. Ceci pourrait causer des blessures graves.

L'accessoire taille-bordures se raccorde au bloc-moteur à l'aide d'un dispositif de couplage.

- Retirer l'anneau de suspension de l'arbre d'accessoire.
- Desserrer le bouton du coupleur de l'arbre du bloc moteur.
- Appuyer sur le bouton se trouvant sur l'accessoire de taille-bordures. Aligner le bouton sur la rainure guide du bloc moteur et emboîter les deux arbres. Tourner l'arbre de l'accessoire jusqu'à ce que le bouton de verrouillage s'engage dans le trou de positionnement.

NOTE : Si le bouton ne s'engage pas complètement dans le trou de positionnement, les arbres ne sont pas solidement maintenus l'un dans l'autre. Tourner légèrement les arbres dans les deux sens jusqu'à ce que le bouton s'engage complètement.

- Serrer le bouton fermement.

AVERTISSEMENT :

S'assurer que le bouton est bien serré avant d'utiliser l'outil. Vérifier de temps à autre pour éviter le risque de blessures graves.

RETRAIT DE L'ACCESSOIRE DU BLOC MOTEUR

Retrait ou remplacement de l'accessoire :

- Arrêter le moteur ou du moteur électrique.
- Desserrer le bouton.
- Enfoncer le bouton et tourner les arbres pour retirer et séparer les extrémités.

INSTALLATION DU BOÎTIER DE FIL/LAME FIXE

Voir les figures 4 à 7.

NOTE : Ne pas tenter d'installer le fil et les lames dans le boîtier de fil/lame fixe en même temps.

- Arrêter le moteur, déconnecter le câble de bougie pour les têtes à essence, retirer le bloc-piles pour les têtes électriques sans fil ou débrancher la prise de la source d'alimentation pour les têtes électriques.
- Enlever le boîtier de tête à avance par coups en tournant le boîtier inférieur dans le sens antihoraire, de sorte à aligner les flèches du boîtier supérieur sur les flèches extérieures du boîtier de tête à avance par coups.

NOTE : Le boîtier est à ressorts et s'éjecte automatiquement quand il est déverrouillé. Il n'est pas nécessaire de retirer le boîtier supérieur de tête de coupe hors de l'arbre d'entraînement.

- S'il est prévu d'utiliser le boîtier de fil/lame fixe avec les lames, installer maintenant les lames sur les montants.
 - Placer la lame sur le montant et appuyer dessus jusqu'à ce qu'elle soit complètement en position.
- Aligner les montants du boîtier de fil/lame fixe sur les flèches du boîtier supérieur.
- Appuyer sur le boîtier et tourner le boîtier inférieur dans le sens horaire jusqu'à aligner les flèches sur le symbole du verrou situé sur le boîtier supérieur, afin de sécuriser la tête en place.
- Si les lames n'ont pas été installées et qu'il est plutôt prévu d'utiliser le boîtier de fil/lame fixe avec le fil pré-coupé, installer maintenant le fil.
 - Plier en deux un morceau de fil pré-coupé, en s'assurant que chaque moitié a la même longueur.
 - Insérer les bouts du fil dans les œillets du montant et tirer fermement.
 - Répéter pour l'autre montant.
- Le boîtier de fil/lame fixe est maintenant prêt à être utilisé.

UTILISATION

AVERTISSEMENT :

Ne pas laisser la familiarité avec este produit faire oublier la prudence. Ne pas oublier qu'une fraction de seconde d'inattention peut entraîner des blessures graves.

AVERTISSEMENT :

Toujours porter une protection oculaire avec écrans latéraux certifiée conforme à la norme ANSI Z87.1. Si cette précaution n'est pas prise, des objets peuvent être projetés dans les yeux et causer des lésions graves.

AVERTISSEMENT :

Ne jamais utiliser de lames ou de dispositifs à fléau, fil et cordes sur ce produit. Ne pas utiliser d'outils ou accessoires non recommandés par le fabricant pour cet produit. L'utilisation de pièces et accessoires non recommandés peut entraîner des blessures graves.

AVIS :

Avant chaque utilisation, inspecter au complet le produit afin de s'assurer qu'aucune pièce (vis, écrous, boulons, chapeaux, etc.) n'est endommagée, manquante ou desserrée. Serrer solidement toutes les pièces de fixation et les chapeaux et ne pas utiliser le produit tant que toutes les pièces manquantes ou endommagées n'ont pas été remplacées. Pour obtenir de l'aide, veuillez communiquer avec le service à la clientèle ou un centre de réparations qualifié.

APPLICATIONS

Cet produit peut être utilisé pour les application ci-dessous :

- Enlever aisément des mauvaises herbes et l'herbe du pourtour des porches, barrières, et des terrasses lors de l'utilisation de ligne de taille-bordures
- Couper les mauvaises herbes épaisses et les tiges pulpeuses lors de l'utilisation de lames

LAME DE SECTIONNEMENT DE LIGNE

Voir les figures 8 et 9.

Ce taille-bordures est équipé d'une lame de sectionnement de ligne montée sur le déflecteur d'herbe. Pour obtenir une coupe optimale, faire progresser le fil jusqu'à ce qu'il soit coupé à la longueur correcte par la lame coupe-ligne. Le fil doit être avancé chaque fois que le moteur tourne à une vitesse supérieure à la normale ou lorsque la coupe devient moins efficace. Ceci permet de maintenir une efficacité maximum et de maintenir une longueur de fil suffisante pour avancer correctement.

Cette taille-bordure est actuellement réglée au 330 mm (13 po) largeur de coupe. Pour ajuster à une largeur de coupe de 381 mm (15 po) :

- Arrêter le moteur ou du moteur électrique.
- Desserrer la tornillo de la hojatorne alors la lame de sectionnement du fil 180°.
- Serrer la tornillo de la hoja.

UTILISATION DU TAILLE-BORDURES

Voir les figures 10 et 11.

AVERTISSEMENT :

Le logement du moteur peut devenir chaud pendant l'utilisation du taille bordures à fil (sur les ensembles moteur à essence). Éviter de placer ou d'appuyer le bras, la main ou toute autre partie du corps contre le logement du moteur pendant l'utilisation du taille bordures. Tenir l'outil uniquement dans la position illustrée à les figures 10 et 11 en s'assurant qu'aucune partie du corps ne se trouve à proximité du logement du moteur. Un contact prolongé avec le logement du moteur peut entraîner des brûlures ou d'autres blessures.

AVERTISSEMENT :

Toujours tenir l'outil à sa droite. L'utilisation à gauche exposerait l'utilisateur aux surfaces chaudes, créant ainsi des risques de brûlures.

AVERTISSEMENT :

Pour éviter le contact avec les parties brûlantes, ne jamais travailler avec le bas du moteur au-dessus du niveau de la taille.

Tenir le taille-bordures avec la main droite sur la poignée arrière et la main gauche sur la poignée avant. Garder une prise ferme sur les deux poignées pendant le fonctionnement. Le taille-bordures doit être tenu dans une position confortable, la poignée arrière se trouvant à peu près à hauteur de la taille.

Toujours utiliser le taille bordures à plein régime si celui-ci est doté d'un ensemble moteur à essence, ou en appuyant complètement sur la gâchette s'il est doté d'un ensemble moteur sans fil ou électrique. Couper les herbes hautes de haut en bas. Ceci empêchera l'herbe de s'enrouler sur le tube de l'arbre moteur et la tête de coupe, ce qui pourrait causer des dommages dus à une surchauffe. Si l'herbe s'enroule sur la tête de coupe, **ARRÊTER LE MOTEUR**, débrancher le fil de bougie s'il s'agit d'un ensemble moteur à essence, retirer le bloc-piles de l'ensemble moteur sans fil ou débrancher la fiche de la source d'alimentation s'il s'agit d'un ensemble moteur électrique, et enlever l'herbe.

UTILISATION

AVERTISSEMENT :

Toujours tenir le taille-bordures à l'écart de soi en maintenant une distance de sécurité entre le corps et l'équipement. Tout contact avec le boîtier ou avec la tête de coupe du taille-bordures peut causer des brûlures et / ou d'autres blessures graves.

CONSEILS DE COUPE

Voir les figures 10 à 12.

- Éviter les surfaces très chaudes en maintenant toujours l'outil à l'écart du corps. (Position de travail correcte illustrée à les figures 10 et 11.)
- Pour une efficacité maximum, garder le taille-bordures incliné vers la zone de coupe.
- Pour couper avec le taille-bordures à arbre droit, utiliser un mouvement de balayage de gauche à droite. Ceci évite que les débris soient projetés en direction de l'opérateur. Éviter de couper dans la zone dangereuse comme le montre l'illustration à la figure 12.
- Couper avec l'extrémité de la ligne; ne pas forcer la tête de coupe dans l'herbe non coupée.
- Les palissades en métal et en bois accélèrent l'usure de la ligne et peuvent la faire casser. Les murs en pierre et brique, trottoirs et pièces de bois peuvent user la ligne rapidement.
- Contourner les arbres et buissons. L'écorce des arbres, les moulures en bois, le lambrisage et les piquets de palissades peuvent être endommagés par la ligne.
- Ne pas essayer de toucher ou d'arrêter l'accessoire en rotation. Une lame ou une ligne continuant à fonctionner après l'arrêt peut occasionner des blessures.

Lors de l'utilisation des lames :

- Ne pas tenter l'utilisation de cet accessoire pour boîtier de fil/lame fixe pour couper les bordures. Ceci provoquera une usure prématurée des lames.
- Inspecter la tête de coupe avant chaque utilisation et périodiquement pendant les périodes d'utilisation prolongées. Cesser immédiatement l'utilisation et remplacer la lame si cette dernière est pliée, voilée, fissurée, ébréchée, ou endommagée.
- Ne jamais couper de tiges de plus de 6,4 mm (1/4 po) de diamètre.
- Après relâcher la gâchette, garder l'accessoire en rotation dans de l'herbe épaisse ou des tiges pulpeuses, jusqu'à ce qu'ils s'immobilise. Garder le contrôle de l'outil jusqu'à ce que l'accessoire soit complètement immobilisée.

AVERTISSEMENT :

Pour éviter d'endommager les lames ou boîtier de fil/lame fixe, laisser une distance d'au moins 304,8 mm (12 po) entre les lames et les objets avoisinants. Ne jamais utiliser de lames près de trottoirs, clôtures, poteaux, bâtiments ou autres objets fixes. Des lames ou des accessoires endommagés peuvent causer des blessures graves.

AVANCE DE LA LIGNE DE COUPE SUR LA TÊTE À AVANCE PAR COUPS

L'avance de la ligne est obtenue en tapant la tête de coupe sur le gazon, le moteur tournant à plein régime.

- Faire fonctionner le moteur à plein régime s'il s'agit d'un ensemble moteur à essence, ou en appuyant complètement sur la gâchette s'il s'agit d'un ensemble moteur sans fil ou électrique.
- Taper le capuchon du mécanisme de coup sur le sol pour faire avancer la ligne. La ligne avance chaque fois que la tête de coupe est frappée sur le sol. Ne pas maintenir le bouton contre le sol.

NOTE : La lame du déflecteur d'herbe coupe la ligne à la longueur correcte.

NOTE : Si la ligne devient trop courte, il peut ne pas être possible de la faire avancer en tapant la tête de coupe sur le sol. Dans ce cas, **ARRÊTER LE MOTEUR**, débrancher le fil de bougie s'il s'agit d'un ensemble moteur à essence, retirer le bloc-piles de l'ensemble moteur sans fil ou débrancher la fiche de la source d'alimentation s'il s'agit d'un ensemble moteur électrique, et tirer la ligne à la main.

Avance manuelle de la ligne de coupe :

- Arrêter le moteur, débrancher le fil de bougie s'il s'agit d'un ensemble moteur à essence, retirer le bloc-piles de l'ensemble moteur sans fil ou débrancher la fiche de la source d'alimentation s'il s'agit d'un ensemble moteur électrique.
- Appuyer sur le capuchon du mécanisme de coup et tirer sur la ou les lignes pour sortir la longueur désirée.

ENTRETIEN

AVERTISSEMENT :

Avant d'inspecter, nettoyer ou entretenir l'équipement, couper le moteur, attendre que toutes les pièces en mouvement s'arrêtent, déconnecter le fil de la bougie et l'écarter de la bougie ou débranchez la scie de l'alimentation. Le non-respect de ces instructions peut entraîner des blessures graves ou des dégâts matériels.

AVERTISSEMENT :

Toujours porter une protection oculaire avec écrans latéraux certifiée conforme à la norme ANSI Z87.1. Si cette précaution n'est pas prise, des objets peuvent être projetés dans les yeux et causer des lésions graves.

AVERTISSEMENT :

Utiliser exclusivement des pièces d'origine pour les réparations. L'usage de toute autre pièce peut créer une situation dangereuse ou endommager l'outil.

AVIS :

Inspecter périodiquement au complet le produit afin de s'assurer qu'aucune pièce (vis, écrous, boulons, chapeaux, etc.) n'est endommagée, manquante ou desserrée. Serrer solidement toutes les pièces de fixation et les chapeaux et ne pas utiliser le produit tant que toutes les pièces manquantes ou endommagées n'ont pas été remplacées. Pour obtenir de l'aide, veuillez communiquer avec le Service à la clientèle ou un centre de réparations qualifié.

ENTRETIEN GÉNÉRAL

Éviter d'utiliser des solvants pour le nettoyage des pièces en plastique. La plupart des matières plastiques peuvent être endommagées par divers types de solvants du commerce. Utiliser un chiffon propre pour éliminer la saleté, la poussière, l'huile, la graisse, etc.

AVERTISSEMENT :

Ne jamais laisser de liquides tels que le fluide de freins, l'essence, les produits à base de pétrole, les huiles pénétrantes, etc., entrer en contact avec les pièces en plastique. Les produits chimiques peuvent endommager, affaiblir ou détruire le plastique, ce qui peut entraîner des blessures graves.

REPLACEMENT DE LIGNE ET DE LAME

Voir les figures 13 à 16.

Utiliser du fil de remplacement d'origine pour obtenir un rendement optimal.

- Arrêter le moteur, débrancher le fil de bougie s'il s'agit d'un ensemble moteur à essence, retirer le bloc-piles de l'ensemble moteur sans fil ou débrancher la fiche de la source d'alimentation s'il s'agit d'un ensemble moteur électrique.

Lors de l'utilisation de la tête à avance par coups :

- Au besoin, tourner la capuchon du mécanisme de coup dans le sens horaire afin d'aligner les flèches de la capuchon du mécanisme de coup avec les flèches du logement de la tête de coupe.
- Couper un morceau d'une longueur de 3,04 m (10 pi) de ligne. Insérer le ligne dans l'oeillet du boîtier de tête de coupe. Pousser jusqu'à ce que l'extrémité du ligne sorte de l'autre côté de la tête de coupe. Tirer sur le ligne de l'autre côté de façon à laisser deux segments de ligne égaux de chaque côté de la boîtier de tête de coupe.

NOTE : Le ligne risque de coincer si la quantité enroulée est supérieure à 3,04 m (10 pi).

- Manuellement ou avec la SPEED WINDER™, tourner la capuchon du mécanisme de coup dans le sens horaire pour enrouler le ligne autour de celle-ci jusqu'à ce qu'environ 152,4 mm (6 po) de ligne apparaisse de chaque côté de la bobine.

NOTE : Pour obtenir des résultats optimaux, tirer et tendre les deux extrémités du ligne chaque fois que le rembobineur a effectué sept tours afin d'améliorer les résultats d'enroulement et aider à prévenir l'enchevêtrement du ligne.

- Appuyer sur la retenue de bobine tout en tirant sur la ou les ligne(s) pour les avancer manuellement.

Lors de l'utilisation de fil dans le boîtier de fil/lame fixe :

- Enlever l'ancien fil de la tête de coupe, en tirant sur un côté du fil.
- Plier en deux un morceau de fil pré-coupé de 279,4 mm (11 po), en s'assurant que chaque moitié a la même longueur.
- Insérer les bouts du fil dans l'oeillet du montant et tirer fermement.
- Répéter pour l'autre montant.

Lors de l'utilisation de lames dans le boîtier de fil/lame fixe :

- Enlever le boîtier de fil/lame fixe en tournant le boîtier inférieur dans le sens antihoraire, de sorte à aligner les montants et les flèches du boîtier supérieur, puis tirer le boîtier inférieur loin du boîtier supérieur.
- Retirer les lames usées et les jeter.
- Installer les nouvelles lames, en veillant à les mettre complètement en position.
- Installer de nouveau le boîtier de fil/lame fixe comme il est décrit précédemment.

DÉCOINCEMENT DU LIGNE ET/OU REPLACEMENT DU CAPUCHON DU MÉCANISME DE COUP DE BOÎTIER DE TÊTE À AVANCE PAR COUPS

Voir les figures 17 et 18.

- Arrêter le moteur, débrancher le fil de bougie s'il s'agit d'un ensemble moteur à essence, retirer le bloc-piles de l'ensemble moteur sans fil ou débrancher la fiche de la source d'alimentation s'il s'agit d'un ensemble moteur électrique.
- Enlever le boîtier de tête à avance par coups en tournant le boîtier inférieur dans le sens antihoraire, de sorte à aligner les flèches du boîtier supérieur sur les flèches extérieures du boîtier de tête à avance par coups.
NOTE : Le boîtier est à ressorts et s'éjecte automatiquement quand il est déverrouillé. Il n'est pas nécessaire de retirer le boîtier supérieur de tête de coupe hors de l'arbre d'entraînement.
- Tirer la bobine et le capuchon du mécanisme de coup par le logement de la tête de ligne et retirer le ligne de la bobine.
- Si l'on remplace le couvercle du mécanisme de coup, retirer le capuchon usagé de la bobine. Aligner les nervures du capuchon avec les fentes de la bobine puis installer le nouveau capuchon du mécanisme de coup sur la bobine. Passer cette étape si le capuchon du mécanisme de coup n'est pas remplacé.
- Insérer le capuchon du mécanisme de coup et la bobine dans l'ouverture du logement de la tête de ligne.
- Aligner les flèches du logement inférieur de la tête de ligne avec les flèches du logement supérieur de la tête de ligne.

- Presser les deux parties du logement ensemble et tourner le boîtier inférieur dans le sens horaire jusqu'à aligner les flèches du boîtier inférieur sur le verrou du boîtier supérieur.
- Installer le ligne tel que décrit à la section intitulée **Remplacement de ligne et de lame.**

INSTALLATION DE L'ANNEAU DE SUSPENSION

Voir la figure 19.

Il existe deux façons de suspendre l'accessoire pour le remisage.

- Pour installer l'anneau de suspension, appuyer sur le bouton et emboîter le capuchon sur l'extrémité de l'arbre d'accessoire. Tourner légèrement le capuchon dans un sens et l'autre pour enclencher le bouton.
- Le trou secondaire de l'arbre d'accessoire peut également être utilisé pour suspendre l'accessoire.

REMISAGE DE L'ACCESSOIRE

- Ranger l'accessoire dans un endroit bien aéré inaccessible aux enfants.
- La tenir à l'écart de produits corrosifs, tels que les produits chimiques de jardinage et le sel de dégivrage.

PIÈCES DE REMPLACEMENT

Fil de remplacement:

Fil spirale de 2,4 mm (0,095 po) (rouleau).....AC04148

Fil spirale de 2,4 mm (0,095 po) (précoupé).....AC053N1FL

Lames de rechange..... AC053N1FB

Disponible sur le site www.homedepot.com

DÉPANNAGE

PROBLÈME	CAUSE POSSIBLE	SOLUTION
La ligne n'avance pas	Ligne soudée sur elle-même.	Lubrifier avec un produit au silicone.
	Pas assez de ligne sur la bobine.	Installer une nouvelle ligne. Voir Remplacement de ligne et de lame , plus haut dans ce manuel.
	Ligne trop courte.	Tirer les lignes en appuyant sur la bobine et en la relâchant alternativement.
	Ligne emmêlée sur la bobine.	Retirer la ligne de el capuchon et la réenrouler. Consulter la section du présent manuel qui traite du Remplacement de ligne et de lame .
L'herbe s'enroule sur le tube de l'arbre moteur et la tête de coupe	Coupe de hautes herbes au ras du sol.	Couper les herbes hautes du haut en bas.



NOUS APPELER D'ABORD

Pour toute question concernant l'utilisation ou l'entretien utiliser ce produit, appeler le service d'assistance téléphonique RYOBI!

Le taille-bordures à été entièrement testé avant expédition pour assurer la complète satisfaction de l'utilisateur.

Ce produit est accompagné d'une garantie limitée de cinq (5) ans pour utilisation personnel, familiales ou domestiques (90 jours pour utilisation affaires ou commerciaux). Pour obtenir les détails de la garantie, visiter le site www.ryobitools.com ou appeler (sans frais) au 1-800-525-2579.

REGLAS DE SEGURIDAD GENERALES



ADVERTENCIA:

Lea y comprenda todas las instrucciones. El incumplimiento de las instrucciones señaladas abajo puede causar descargas eléctricas, incendios y lesiones serias.

GUARDE ESTAS INSTRUCCIONES

- Lea detenidamente estas instrucciones y las instrucciones para su cabezal motor antes de utilizar el accesorio para recortar de eje recto.
- Familiarícese con la herramienta. Lea y comprenda el manual del operador y observe las advertencias y etiquetas de instrucciones adheridas a la herramienta.
- No permita que utilicen esta unidad niños ni personas carentes de la debida instrucción para su manejo.
- Siempre póngase protección ocular con protección lateral con la marca de cumplimiento de la norma ANSI Z87.1.
- Póngase pantalones, botas y guantes gruesos. No se ponga ropa holgada, pantalones cortos, joyería de ningún tipo ni ande descalzo.
- Recójase el cabello si lo tiene largo, de manera que le quede arriba de los hombros para evitar que se enrede en las piezas en movimiento.
- Mantenga a todos los circunstantes, niños y animales por lo menos a 15 m (50 pies) de distancia. Debe exhortarse a los circunstantes a ponerse protección para los ojos.
- Permanezca alerta, preste atención a lo que esté haciendo, y aplique el sentido común al utilizar herramientas eléctricas. No utilice la herramienta si está cansado o se encuentra bajo los efectos de alguna droga, alcohol o medicamento. Un momento de inatención al utilizar una herramienta eléctrica puede causar lesiones corporales serias.

- No utilice este producto si no hay luz suficiente.
- No estire el cuerpo para alcanzar mayor distancia. Mantenga una postura firme y buen equilibrio en todo momento. Una postura firme y un buen equilibrio permiten un mejor control de la herramienta en situaciones inesperadas.
- Mantenga todas las partes del cuerpo alejadas de toda pieza móvil.
- No toque las áreas alrededor del silenciador o del cilindro del cabezal motor. Estas piezas se calientan durante el funcionamiento. La inobservancia de esta advertencia puede causar lesiones serias.
- Siempre apague el motor y desconecte el cable de la bujía antes de efectuar cualquier tarea de ajuste o reparación, excepto ajustes del carburador.
- Inspeccione la unidad antes de cada uso para verificar que no haya pernos sueltos no partes dañadas o faltantes. Efectúe las correcciones necesarias antes de utilizar el accesorio para recortar. La inobservancia de esta advertencia puede causar lesiones serias.
- Sólo utilice piezas de repuesto del fabricante original. De lo contrario puede originarse un mal desempeño de la herramienta y lesiones corporales, además de anularse la garantía.
- En ninguna circunstancia, use accesorio o accesorio alguno en este producto, que no se haya suministrado con el producto mismo, o que no esté identificado como apropiado para el uso con este producto en el manual del operador.
- Evite los entornos peligrosos de trabajo. No use el accesorio en lugares húmedos o mojados. No lo use en la lluvia.
- Utilice el accesorio adecuado para la tarea. No utilice este producto para ninguna función diferente de las especificadas.

REGLAS DE SEGURIDAD ESPECÍFICAS

- Reemplace el cabezal del hilo si estuviese agrietado, astillado o dañado de alguna manera. Asegúrese de que el cabezal del hilo esté debidamente instalado y firmemente asegurado. La inobservancia de esta advertencia puede causar lesiones corporales serias.
- Asegúrese que todos los deflectores y las asas estén acoplados debidamente y de manera segura.
- Utilice únicamente la cuerda no metálica recomendada por el fabricante. Nunca utilice alambre, cable metálico o cuchillas trilladoras; todos estos pueden romperse y convertirse en peligroso proyectiles.
- Nunca utilice la recortadora de hilo si el deflector de césped no está en posición y en buenas condiciones de funcionamiento.
- Al usar la recortadora, sujétela firmemente en ambas asas.

- Mantenga el cabezal del hilo por debajo del nivel de la cintura. Nunca corte con el cabezal del hilo a más de 76 cm (30 pulg.) del suelo.
- Despeje el área de trabajo cada vez antes de utilizar esta herramienta. Retire todos los objetos tales como piedras, vidrios rotos, clavos, alambre o cuerdas que pudiesen resultar lanzados o enredados en el hilo de corte.
- Guarde estas instrucciones. Consúltelas con frecuencia y empléelas para instruir a otras personas que puedan utilizar esta herramienta. Si presta a alguien esta herramienta, facilítele también las instrucciones con el fin de evitar un uso indebido del producto y posibles lesiones.




NOTA: VEA LA MANUAL DEL OPERADOR DE CABEZAL DE MOTOR PARA REGLAS DE SEGURIDAD ESPECÍFICAS ADICIONALES.

ADVERTENCIAS DE SEGURIDAD DE LA RECORTADORA DE CÉSPED







- **No use la máquina en condiciones de clima adverso, especialmente cuando haya riesgo de relámpagos.** Esto disminuye el riesgo de ser alcanzado por un relámpago.
- **Inspeccione cuidadosamente el área para cerciorarse de que no haya animales donde use la máquina.** De haberlos, podría dañarlos durante la operación.
- **Inspeccione cuidadosamente el área donde quiera usar la máquina y quite piedras, palos, alambres, huesos y otros elementos extraños.** Los objetos que salgan arrojados pueden causar lesiones personales.
- **Antes de usar la máquina, inspeccione visualmente la herramienta para asegurarse de que el cortador o la cuchilla, o el conjunto del cortador o la cuchilla no estén dañados.** Las partes dañadas incrementan el riesgo de lesiones.
- **Siga las instrucciones para cambiar los accesorios.** Las tuercas o pernos que sostienen la cuchilla mal ajustados pueden dañar la cuchilla o hacer que esta se salga.
- **Use protección ocular, para oídos y manos.** Un equipo de protección adecuado reducirá las lesiones personales por suciedad flotante o contacto accidental con la línea o cuchilla de corte.
- **Mientras use la máquina, use siempre calzado protector y que evite resbalos. No use la máquina descalzo o con calzado abierto tipo sandalias.** Esto reduce la posibilidad de lesiones en los pies por contacto con la cuchilla en movimiento.
- **Mientras usa la máquina, use siempre pantalones largos.** La piel expuesta incrementa la posibilidad de lesiones con objetos arrojados.
- **Mantenga alejados a los transeúntes mientras usa la máquina.** La suciedad arrojada puede causar lesiones personales graves.
- **Use siempre dos manos al usar la máquina.** Sostenga la máquina con ambas manos para no perder el control.
- **Sostenga la recortadora de césped de las superficies de agarre insuladas solamente, ya que la línea de corte o cuchilla podrían entrar en contacto con cables ocultos.** La línea de corte o las cuchillas que entren en contacto con un cable electrificado podrían electrificar partes expuestas de metal de la máquina, lo que podría darle al operador una descarga eléctrica.
- **Pise siempre con estabilidad y use la máquina solamente parado en el suelo.** Las superficies resbaladizas o inestables podrían causar la pérdida de estabilidad o control de la máquina.
- **No use la máquina en pendientes demasiado empinadas.** Esto reduce la posibilidad de pérdida de control, resbalos o caídas, que podrían resultar en lesiones personales.
- **Cuando trabaje en pendientes, asegúrese de pisar con firmeza, trabaje siempre en sentido transversal a la pendiente, nunca moviéndose hacia arriba o hacia abajo, y tenga extremo cuidado al cambiar de dirección.** Esto reduce el riesgo de pérdida de control, resbalos y caídas, que podrían resultar en lesiones personales graves.
- **Mantenga todas las partes del cuerpo alejadas de la línea de corte o cuchilla cuando use la máquina. Antes de iniciar la máquina, asegúrese de que la línea de corte o cuchilla no estén en contacto con nada.** Un momento de distracción al usar la máquina podría ocasionarle lesiones a usted u otras personas.
- **No use la máquina sobre la altura de la cadera.** Esto ayuda a evitar el contacto no intencionado con el cortador o la cuchilla, y otorga mayor control de la máquina en situaciones inesperadas.
- **Cuando corte arbustos o arbolitos que estén bajo tensión, tenga cuidado cuando estos vuelvan a su posición original.** Cuando se libera la tensión en las fibras de la madera, el arbusto o los arbolitos pueden golpear al operador y hacer que pierda el control de la máquina.
- **Tenga extremo cuidado al cortar arbustos o arbolitos.** El material delgado puede agarrar la hoja y darle un latigazo o hacer que pierda el equilibrio.
- **Mantenga el control de la máquina y no toque las cuchillas ni otras partes en movimiento peligrosas mientras estén en movimiento.** Esto reduce el riesgo de lesiones que puedan causarle las partes en movimiento.
- **Transporte la máquina apagada y alejada del cuerpo.** La manipulación apropiada de la máquina reducirá la posibilidad de contacto accidental con la cuchilla en movimiento.
- **Use solo líneas de corte, cabezales de cortes y cuchillas de repuesto especificadas por el fabricante.** Las piezas de repuesto inapropiadas pueden incrementar el riesgo de daños materiales o lesiones.
- **Cuando quite material atascado o haga tareas de mantenimiento en la herramienta, asegúrese de que el interruptor esté apagado y de extraer primero la batería.** La acción inesperada de la máquina al quitar material atascado o realizar tareas de mantenimiento podría resultar en lesiones personales graves.

SÍMBOLOS

Las siguientes palabras de señalización y sus significados tienen el objeto de explicar los niveles de riesgo relacionados con este producto.

SÍMBOLO	SEÑAL	SIGNIFICADO
	PELIGRO:	Indica una situación peligrosa, la cual, si no se evita, causará la muerte o lesiones serias.
	ADVERTENCIA:	Indica una situación peligrosa, la cual, si no se evita, podría causar la muerte o lesiones serias.
	PRECAUCIÓN:	Indica una situación peligrosa la cual, si no se evita, puede causar lesiones leves o moderadas.
	AVISO:	(Sin el símbolo de alerta de seguridad) e considera importante, pero no relacionada con lesiones potenciales (por ej. en relación a daños a la propiedad).

Es posible que se empleen en este producto algunos de los siguientes símbolos. Le suplicamos estudiarlos y aprender su significado para mayor seguridad al manejar este producto.

SÍMBOLO	NOMBRE	EXPLICACIÓN
	Símbolo de alerta de seguridad	Indique un risque de blessure potentiel.
	Lea el manual del operador	Para reducir el riesgo de lesiones, el usuario debe leer y comprender el manual del operador antes de usar este producto.
	Protección para los ojos y los oídos	Siempre póngase protección ocular con la marca de cumplimiento de la norma ANSI Z87.1 junto con protección auditiva.
	Mantenga alejadas a las personas presentes	Mantenga a los circunstantes a una distancia mínima de 15 m (50 pies).
	Rebote	Cualquier objeto lanzado puede rebotar y producir lesiones personales o daños físicos.
	No instale hoja de corte	No instale ni utilice ningún tipo de hoja de corte en ningún producto con este símbolo.

CARACTERÍSTICAS

ESPECIFICACIONES DEL PRODUCTO

Anchura del corte del hilo	330 y 381 mm (13 pulg. y 15 pulg.)
Diámetro del hilo:	
Cabezal motor a gas.....	2,0 mm a 2,4 mm max. (0,08 pulg. a 0,095 pulg. max.)
Cabezal motor inalámbrico.....	2,0 mm max. (0,08 pulg. max.) redonda o 2,4 mm (0,095 pulg.) trenzada
Cabezal motor eléctrico.....	2,0 mm max. (0,08 pulg. max.) redonda. o 2,0 mm a 2,4 mm max. (0,08 pulg. a 0,095 pulg. max.) trenzada

FAMILIARÍCESE CON EL ACCESORIO PARA RECORTAR DE EJE RECTO

Vea la figura 1.

Para usar este producto con la debida seguridad se debe comprender la información indicada en la producto misma y en este manual, y se debe comprender también el trabajo que intenta realizar. Antes de usar este producto, familiarícese con todas las características de funcionamiento y normas de seguridad del mismo.

DIÁMETRO DE CORTE AJUSTABLE

El diámetro de corte se puede ajustar de 330 mm (13 pulg.) a 381 mm (15 pulg.) haciendo girar la cuchilla de corte del hilo.

CARCASA DEL CABEZAL DE RECORTADORA DE ALIMENTACIÓN POR GOLPE

Use la carcasa del cabezal de la recortadora de alimentación por golpe para el corte con hilo cuando utilice línea de repuesto en bobina.

CARCASA DE LÍNEA FIJA/HOJA

Instale la carcasa de línea fija/hoja cuando utilice línea de recortadora precortada para el corte con hilo o las hojas provistas para cortar malezas más gruesas o tallos pulposos.

DEFLECTOR DE PASTO

La recortadora incorpora un deflector de pasto que ayuda a proteger al operador de los desechos lanzados por la herramienta.

ARMADO

DESEMPAQUETADO

Este producto debe armarse.

- Extraiga cuidadosamente de la caja la producto y los accesorios. Asegúrese de que estén presentes todos los artículos enumerados en la **Lista de empaquetado**.

ADVERTENCIA:

No utilice este producto si alguna pieza incluida en la **Lista de empaquetado** ya está ensamblada al producto cuando lo desempaqueta. El fabricante no ensambla las piezas de esta lista en el producto. Éstas deben ser instaladas por el usuario. El uso de un producto que puede haber sido ensamblado de forma inadecuada podría causar lesiones personales graves.

- Inspeccione cuidadosamente la producto para asegurarse de que no haya sufrido ninguna rotura o daño durante el transporte.
- No deseche el material de empaquetado hasta que haya inspeccionado cuidadosamente la producto y la haya utilizado satisfactoriamente.
- Si hay piezas dañadas o faltantes, le suplicamos llamar al 1-800-525-2579, donde le brindaremos asistencia.

LISTA DE EMPAQUETADO

Accesorio RYOBI™ EXPAND-IT para cortar de eje recto (con la carcasa del cabezal de recortadora de alimentación por golpe instalada)
SPEED WINDER™
Carcasa de línea fija/hoja
Línea de repuesto espiral de 2,4 mm (0,095 pulg.)
Trozos de línea precortados de 2,41 mm (0,095 pulg.)
Hojas de cabezal de recortadora
Deflector de pasto
Manual del operador

ADVERTENCIA:

Si falta o está dañada alguna pieza, no utilice este producto sin haber reemplazado la pieza. Usar este producto con partes dañadas o faltantes puede causar lesiones serias al operador.

ADVERTENCIA:

No intente modificar esta producto ni hacer accesorios no recomendados para la misma. Cualquier alteración o modificación constituye maltrato el cual puede causar una condición peligrosa, y como consecuencia posibles lesiones corporales serias.

ARMADO

ADVERTENCIA:

No conecte la unidad al cabezal motor antes de terminar de armarla. De lo contrario la unidad puede ponerse en marcha accidentalmente, con el consiguiente riesgo de lesiones serias.

MONTAJE DEL DEFLECTOR DE PASTO

Vea la figura 2.

ADVERTENCIA:

La cuchilla de cortar el hilo del deflector de pasto está afilada. Evite tocar la cuchilla. Si no evita tal contacto puede originarse lesiones corporales serias.

NOTA: Instale el deflector de pasto antes de acoplar el accesorio al cabezal motor.

- Retire el perno del deflector de pasto.
- Introduzca la orejeta del soporte de montaje en la ranura del deflector de pasto.
- Alinee el orificio en el soporte de montaje con orificio del deflector de pasto.
- Introduzca el perno a través del soporte de montaje y en el deflector de pasto.
- Apriete firmemente el perno.

ACOPLAMIENTO DEL CABEZAL DE POTENCIA AL ACCESORIO PARA RECORTAR DE EJE RECTO

Vea la figura 3.

ADVERTENCIA:

Nunca una ni ajuste ningún accesorio mientras esté funcionando el cabezal motor. Si no se detiene el motor o motor eléctrico podría causar lesiones personales graves.

El accesorio para recortar se acopla al cabezal de potencia por medio de un dispositivo acoplador.

- Quite el tapa de la suspensión del eje del accesorio.
- Afloje la perilla en el acoplador del eje del cabezal motor.
- Oprima el botón situado en el accesorio para recortar. Alinee el botón con el hueco guía situado en el acoplador del eje del cabezal motor y con un movimiento de deslizamiento una los dos ejes. Gire el accesorio para recortar de eje recto hasta que el botón se trabe en el orificio de posicionamiento.

NOTA: Si el boton no se sueltan completamente en el orificio de posicionamiento, significa que los ejes no están bien asegurados en su lugar. Gire levemente los ejes de un lado a otro hasta que el botón quede asegurado en su lugar.

- Apriete firmemente la perilla.

ADVERTENCIA:

Asegúrese de que esté bien apretada la perilla antes de utilizar el equipo. Verifique periódicamente el apriete de la misma durante el uso para evitar lesiones serias.

DESMONTAJE DEL ACCESORIO DEL CABEZAL MOTOR

Para desmontar o cambiar el accesorio:

- Apague el motor o el motor eléctrico.
- Afloje la perilla.
- Oprima el botón y gire los ejes para separar los extremos de los mismos.

INSTALACIÓN DE LA CARCASA DE LÍNEA FIJA/HOJA

Vea las figuras 4 a 7.

NOTA: No intente instalar la línea y las hojas en la carcasa de línea fija/hoja al mismo tiempo.

- Detenga el motor, desconecte el cable de la bujía de los cabezales de alimentación a gasolina, extraiga la batería de los cabezales de alimentación inalámbricos o desconecte el enchufe de la fuente de alimentación de los cabezales de alimentación eléctrica.
- Retire la carcasa de la recortadora de alimentación por golpe girando la carcasa inferior hacia la izquierda, de manera que la flecha en la carcasa superior se alinee con la flecha exterior de la carcasa de alimentación por golpe.

NOTA: La carcasa tiene un resorte y saldrá expulsada automáticamente cuando se desbloquee. No es necesario retirar la carcasa del cabezal de hilo superior de la barra de transmisión.

- Si quiere usar la carcasa de línea fija/hoja con las hojas, instale las hojas en los pernos ahora.
 - Coloque la hoja sobre el perno y presiónela hacia abajo hasta que quede bien colocada.
- Alinee los pernos en la carcasa de línea fija/hoja con las flechas de la carcasa superior.
- Una las carcasas y gire la carcasa inferior hacia la derecha hasta que la flecha quede alineada con el símbolo de bloqueo de la carcasa superior para asegurar el cabezal.
- Si no instaló las hojas y quiere usar la carcasa de línea fija/hoja con una línea precortada, coloque la línea ahora.
 - Doble un trozo de línea precortada por la mitad de modo que cada mitad tenga la misma longitud.
 - Inserte los extremos de la línea en los orificios de los pernos y tire con fuerza.
 - Repita el proceso con el otro perno.
- La carcasa de línea fija/hoja ahora está lista para usarse.

FUNCIONAMIENTO

ADVERTENCIA:

No permita que su familiarización con los productos lo vuelva descuidado. Tenga presente que un descuido de un instante es suficiente para causar una lesión grave.

ADVERTENCIA:

Siempre póngase protección ocular con protección lateral con la marca de cumplimiento de la norma ANSI Z87.1. La inobservancia de esta advertencia puede permitir que los objetos lanzados hacia los ojos puedan provocar lesiones graves.

ADVERTENCIA:

Nunca use hojas, dispositivos móviles, alambre ni cuerdas en este producto. No utilice ningún accesorio o accesorio no recomendado por el fabricante de esta producto. El empleo de accesorios o accesorios no recomendados podría causar lesiones serias.

AVISO:

Antes de cada uso, inspeccione todo el producto para detectar partes dañadas, faltantes o sueltas, como tornillos, tuercas, pernos, tapas, etc. Apriete firmemente todos los sujetadores y las tapas y no accione este producto hasta que todas las partes faltantes o dañadas sean reemplazadas. Póngase en contacto con el servicio al cliente o con un centro de servicio calificado para obtener ayuda.

APLICACIONES

Este producto puede emplearse para los fines enumerado abajo:

- Realizar con suma facilidad el recorte de céspedes y malezas alrededor de porches, cercas, y terrazas cuando se usan línea de recortadora
- Cortar solamente hierba más gruesa o tallos pulposos cuando se usan cuchillas

CUCHILLA DE CORTE DEL HILO

Vea las figuras 8 y 9.

Esta recortadora está equipada con una cuchilla de corte del hilo instalada en el deflector de pasto. Para obtener mejores resultados en el recorte, avance el hilo hasta que la cuchilla lo corte a la longitud apropiada. Avance el hilo siempre que escuche que el motor está funcionando más rápido de lo normal, o cuando disminuya la eficiencia del recorte. Esto mantendrá un desempeño óptimo y mantendrá el hilo a la suficiente longitud para que avance correctamente.

Este recortadora de hilo es puesto actualmente en el 330 mm (13 pulg.) ancho de corte. Para ajustar a un ancho de corte de 381 mm (15 pulg.):

- Apague el motor o el motor eléctrico.
- Afloje el tornillo de la hoja entonces gira la hoja 180°.
- Apriete firmemente el tornillo de la hoja.

MANEJO DE LA RECORTADORA

Vea las figuras 10 y 11.

ADVERTENCIA:

Es posible que la carcasa del motor se caliente mientras la recortadora de hilo esté en uso. No apoye ni coloque el brazo, la mano ni ninguna parte del cuerpo contra la carcasa del motor mientras la recortadora esté en uso. Sólo sostenga la recortadora como se muestra en las figuras 10 y 11 con todas las partes del cuerpo alejadas de la carcasa del motor. El contacto prolongado con la carcasa del motor puede causar quemaduras u otras lesiones.

ADVERTENCIA:

Siempre coloque la unidad al lado derecho de usted. Si se utiliza la unidad colocándola en el lado izquierdo del cuerpo, el usuario expone éste a superficies calientes, lo cual puede causar lesiones por quemadura.

ADVERTENCIA:

Para evitar quemaduras causadas por tocar superficies calientes, al utilizar esta unidad nunca coloque la parte inferior de la misma arriba del nivel de la cintura.

Sujete la recortadora con la mano derecha en el mango trasero y coloque la mano izquierda en el mango delantero. Sujete firmemente la unidad con ambas manos durante la operación. Se recomienda sujetar la recortadora en una posición cómoda, con el mango trasero a la altura de la cadera.

Para los cabezales motores a gas, accione siempre la recortadora a toda marcha o presione el gatillo del interruptor por completo para los cabezales motores inalámbrico o eléctricos. Corte la hierba alta desde la parte superior hacia abajo. Esto evitará que la hierba se enrolle alrededor del alojamiento del eje y del cabezal del hilo que pudiese causar daño por calentamiento excesivo. Si la hierba se enrolla alrededor del cabezal del hilo, **DETENGA EL MOTOR**, desconecte el cable de la bujía para los cabezales motores a gas, retire el paquete de baterías de las cabezal motores inalámbrico o desconecte la clavija del suministro de corriente para los cabezales motores eléctricos, y desprendra la hierba.

FUNCIONAMIENTO

ADVERTENCIA:

Siempre sujete la recortadora de hilo lejos del cuerpo, manteniendo un espacio entre el cuerpo y la herramienta. Cualquier contacto del cuerpo con la armazón o el cabezal de corte de la recortadora de hilo puede producir quemaduras y/o otras lesiones serias.

SUGERENCIAS PARA CORTAR

Vea las figuras 10 a 12.

- Evite tocar las superficies calientes de la herramienta; para ello, manténgala lejos del cuerpo. (La posición correcta de manejo de la herramienta se muestra en las figuras 10 y 11).
- Mantenga la recortadora inclinada hacia el área de corte; ésta es la mejor área de corte.
- La recortadora de eje curvo corta cuando se pasa la unidad de izquierda a derecha. La recortadora de eje recto corta cuando se pasa la unidad de izquierda a derecha. De esta manera se evita el lanzamiento de desechos hacia el operador. Evite cortar en el área peligrosa mostrada en la ilustración en la figura 12.
- Use la punta del hilo para efectuar el recorte; no fuerce el cabezal del hilo hacia la hierba sin cortar.
- Las cercas de alambre y de estacas causa desgaste adicional en el hilo, incluso la ruptura. Los muros de piedra y de ladrillo, los cordones y la madera pueden gastar rápidamente el hilo.
- Evite el contacto con árboles y los arbustos. La corteza de los árboles, las molduras de madera, los revestimientos de las paredes y los postes de las cercas pueden resultar dañados fácilmente por el hilo.
- No intente tocar o detener las cuchillas mientras continúe girando. Las hojas o la línea en funcionamiento podrían causar lesiones.

Al usar hojas:

- No intente utilizar la carcasa de línea fija/hoja para bordear. Esto hará que las hojas se desgasten de forma prematura.
- Revise el cabezal de corte antes de usarlas y con cierta regularidad durante períodos de uso prolongados. Si alguna de las hojas está doblada, arqueada, rajada, astillada o dañada, deje de usarla de inmediato y reemplazar las hojas.
- Nunca corte ningún material de diámetro superior a 6,4 mm (1/4 pulg.).
- Después de soltar el gatillo del interruptor, mantenga el accesorio girando en maleza espesa o tallos pulposos hasta el detenga. Mantenga un control adecuado de la herramienta hasta que se detenga por completo el accesorio.

ADVERTENCIA:

Para evitar que se dañen las hojas o la carcasa de línea fija/hoja, deje al menos 304,8 mm (12 pulg.) de espacio libre entre las hojas y cualquier objeto cercano. Nunca utilice ninguna hoja cerca de aceras, cercas, postes, tinglados, edificaciones ni de ningún objeto fijo. Una hoja o accesorio dañados pueden causar lesiones personales de gravedad.

AVANCE DEL HILO DE CORTE EN EL CABEZAL DE RECORTADORA DE ALIMENTACIÓN POR GOLPE

El avance del hilo se controla golpeando levemente el cabezal del hilo contra el pasto mientras el funciona a la máxima aceleración.

- Para los cabezales motores a gas, haga funcionar el motor a toda marcha o presione el gatillo del interruptor por completo para los cabezales motores inalámbrico o eléctricos.
- Golpee el perilla percusiva sobre el suelo para hacer avanzar el hilo. El hilo avanza cada vez que se golpea sobre el suelo el retén del carrete. No mantenga el perilla sobre el suelo.

NOTA: La cuchilla de cortar el hilo montada en el deflector de pasto corta el hilo a la longitud correcta.

NOTA: Si el hilo se gasta hasta quedar muy corto quizá no pueda avanzar el hilo tras golpear el cabezal contra el suelo. Si así fuese, **DETENGA EL MOTOR**, desconecte el cable de la bujía para los cabezales motores a gas, retire el paquete de baterías de las cabezales motores inalámbrico o desconecte la clavija del suministro de corriente para los cabezales motores eléctricos y avance manualmente el hilo.

Para avanzar manualmente el hilo de corte:

- Detenga el motor, desconecte el cable de la bujía para los cabezales motores a gas, retire el paquete de baterías de las cabezales motores inalámbrico o desconecte la clavija del suministro de corriente para los cabezales motores eléctricos.
- Empuje hacia adentro el perilla percusiva mientras tira del hilo, o hilos, según sea el caso, para avanzar manualmente el hilo.

MANTENIMIENTO

ADVERTENCIA:

Antes de inspeccionar, limpiar o dar mantenimiento a la máquina, apague el motor, espere hasta que se detengan todas las piezas en movimiento, desconecte el cable de la bujía y apártelo de la bujía o desconecte la herramienta del suministro de corriente. El incumplimiento de estas instrucciones puede provocar lesiones personales graves o daños materiales.

ADVERTENCIA:

Siempre póngase protección ocular con protección lateral con la marca de cumplimiento de la norma ANSI Z87.1. La inobservancia de esta advertencia puede permitir que los objetos lanzados hacia los ojos puedan provocar lesiones graves.

ADVERTENCIA:

Al dar servicio a la unidad, sólo utilice piezas de repuesto idénticas. El empleo de piezas diferentes podría causar un peligro o dañar el producto.

AVISO:

Inspeccione periódicamente todo el producto para detectar partes dañadas, faltantes o sueltas, como tornillos, tuercas, pernos, tapas, etc. Apriete firmemente todos los sujetadores y las tapas y no accione este producto hasta que todas las partes faltantes o dañadas sean reemplazadas. Póngase en contacto con el servicio al cliente o con un centro de servicio calificado para obtener ayuda.

MANTENIMIENTO GENERAL

Evite el empleo de solventes al limpiar piezas de plástico. La mayoría de los plásticos son susceptibles a diferentes tipos de solventes comerciales y pueden resultar dañados. Utilice paños limpios para eliminar la suciedad, el polvo, el aceite, la grasa, etc.

ADVERTENCIA:

No permita en ningún momento que fluidos para frenos, gasolina, productos a base de petróleo, aceites penetrantes, etc., lleguen a tocar las piezas de plástico. Los productos químicos pueden dañar, debilitar o destruir el plástico, lo cual podría causar lesiones serias.

REABASTECIMIENTO DEL HILO Y DEL HOJA

Vea las figuras 13 a 16.

Use hilo de repuesto del fabricante original para obtener el mejor desempeño.

- Detenga el motor, desconecte el cable de la bujía para los cabezales motores a gas, retire el paquete de baterías de las cabezales motores analámbrico o desconecte la clavija del suministro de corriente para los cabezales motores eléctricos.

Cuando utilice el cabezal de recortadora de alimentación por golpe:

- Gire la perilla percusiva hacia la derecha según sea necesario para alinear las flechas de la perilla percusiva con las flechas en el alojamiento del cabezal del hilo.
- Corte una pieza de hilo de 3,04 m (10 pies) de largo. Inserte el hilo en el ojillo ubicado en el alojamiento de la cabezal de hilo. Empuje hasta que el extremo del hilo salga por el otro lado del cabezal del hilo. Tire del hilo del otro lado hasta que obtenga la misma cantidad de hilo en ambos lados del alojamiento.

NOTA: Es posible que el hilo se atasque si carga más de 3,04 m (10 pies).

- A mano o usando la SPEED WINDER™, gire el perilla percusiva hacia la derecha para enrollar el hilo en éste hasta obtener aproximadamente 152,4 mm (6 pulg.) de hilo en cada lado.

NOTA: Cada cinco a siete revoluciones del SPEED WINDER™, tire de ambos extremos de la línea con firmeza para lograr mejores resultados de carga y ayudar a evitar que la línea se enrede.

- Presione el bump knob a la vez que tira del hilo, o hilos, para avanzar manualmente el hilo.

Cuando use línea en la carcasa de línea fija/hoja:

- Retire la línea vieja del cabezal de hilo tirando de un lado de la línea.
- Doble un trozo de línea precortada de 279,4 mm (11 pulg.) por la mitad de modo que cada mitad tenga la misma longitud.
- Inserte los extremos de la línea en los orificios de los pernos y tire con fuerza.
- Repita el proceso con el otro perno.

Cuando use hojas en la carcasa de línea fija/hoja:

- Retire la carcasa de línea fija/hoja girando la carcasa inferior hacia la izquierda para que los pernos y las flechas del alojamiento superior queden alineados; luego, retire la carcasa inferior de la carcasa superior.
- Retire las hojas usadas y deséchelas.
- Instale las hojas nuevas, asegurándose de que queden bien colocadas.
- Vuelva a colocar la carcasa de línea fija/hoja como se describió anteriormente.

MANTENIMIENTO

ELIMINAR ATASCAMIENTO DEL HILO Y/O REEMPLAZAR LA PERILLA PERCUSIVA DEL CABEZAL DE RECORTADORA DE ALIMENTACIÓN POR GOLPE

Vea las figuras 17 y 18.

- Detenga el motor, desconecte el cable de la bujía para los cabezales motores a gas, retire el paquete de baterías de las cabezales motores inalámbrico o desconecte la clavija del suministro de corriente para los cabezales motores eléctricos.
- Retire la carcasa de la recortadora de alimentación por golpe girando la carcasa inferior hacia la izquierda, de manera que la flecha en la carcasa superior se alinee con la flecha exterior de la carcasa de alimentación por golpe.
NOTA: La carcasa tiene un resorte y saldrá expulsada automáticamente cuando se desbloquee. No es necesario retirar la carcasa del cabezal de hilo superior de la barra de transmisión.
- Empuje el carrete y la perilla percusiva a través del alojamiento de cabezal de hilo y extraiga el hilo del carrete.
- Si reemplaza la perilla percusiva, extraiga la vieja perilla del carrete. Alinee las costillas de la perilla con las ranuras del carrete, y luego coloque la nueva perilla percusiva en el carrete. Si no reemplaza la perilla percusiva, omita este paso.
- Inserte el conjunto de la perilla percusiva y el carrete a través de la apertura del alojamiento del cabezal del hilo.
- Alinee las flechas del alojamiento del cabezal de hilo inferior con las flechas del alojamiento del cabezal de hilo superior.

- Empuje los alojamientos al mismo tiempo y gire la carcasa inferior hacia la derecha hasta que las flechas de la carcasa inferior queden alineadas con el bloqueo de la carcasa superior.
- Coloque el hilo como se describe en la sección **Reabastecimiento del hilo y del hoja.**

MONTAJE DEL COLGADOR DE ALMACENAMIENTO

Vea la figura 19.

Hay dos formas de colgar el accesorio para guardarlo.

- Para usar la tapa de suspensión, oprima el botón y coloque la tapa en el extremo del eje del accesorio. Gire levemente la tapa de un lado a otro hasta que quede asegurado en su lugar el botón.
- El orificio secundario del eje del accesorio también se puede utilizar para colgarlo.

ALMACENAMIENTO DEL ACCESORIO

- Almacene el accesorio en un espacio bien ventilado que sea inaccesible para los niños.
- Evite que la unidad entre en contacto con agentes corrosivos como las sustancias químicas para el jardín y las sales para derretir el hielo.

PIEZAS DE REPUESTO

Línea de repuesto:

- Espiral de 2,4 mm (0,095 pulg.) (a granel)AC04148
 - Espiral de 2,4 mm (0,095 pulg.) (precortado).....AC053N1FL
 - Cuchillas de reemplazo AC053N1FB
- Disponibles en homedepot.com*

CORRECCIÓN DE PROBLEMAS

PROBLEMA	CAUSA POSIBLE	SOLUCIÓN
No avanza el hilo	El hilo se pegó a sí mismo.	Lubrique con rociador de silicón.
	No hay suficiente hilo en el carrete.	Instale más hilo. Vea la sección Reemplazo del hilo y del hoja arriba en este manual.
	El hilo se desgastó hasta quedar muy corto.	Tire de los hilos a la vez que alternadamente presiona y suelta la perilla percusiva.
	El hilo está enredado en el carrete.	Retire el hilo del carrete y vuelva a enrollarlo. Vea la sección Reemplazo del hilo y del hoja arriba en este manual.
El césped se enrolla alrededor del alojamiento del eje y del cabezal del hilo	Se está cortando la hierba alta a nivel del suelo.	Corte la hierba alta desde la parte superior hacia abajo.



LLÁMENOS PRIMERO

¡Si tiene preguntas sobre el funcionamiento o el mantenimiento este producto, llame al teléfono de atención al consumidor de RYOBI!

La recortadora ha sido probada enteramente antes de embarcarse para asegurar la satisfacción del consumidor.

Este producto tiene una garantía limitada de cinco años para fines personales, familiares o domésticos (90 días para usos trabajo o comercial). Para obtener detalles sobre la garantía, diríjase a www.ryobitools.com o llame sin cargo al 1-800-525-2579.



OPERATOR'S MANUAL MANUEL D'UTILISATION / MANUAL DEL OPERADOR

STRAIGHT SHAFT TRIMMER ATTACHMENT WITH 3-IN-1 TRIMMER HEAD ACCESSORIES

ARBRE DROIT ACCESSOIRE TAILLE-BORDURES
AVEC ACCESSOIRES POUR TÊTE À TAILLE-BORDURES 3-EN-1
ACCESORIO PARA RECORTAR DE EJE RECTO CON ACCESORIOS
DE CABEZAL DE RECORTADORA 3 EN 1

RY15526/RY15529

• **PARTS AND SERVICE:** Prior to requesting service or purchasing replacement parts, please obtain your item, manufacturing, and serial numbers from the product data plate.

ITEM NO.* _____ MANUFACTURING NO. _____

SERIAL NO. _____

* Model/item number on product may have additional letters at the end. These letters designate manufacturing information and should be provided when calling for service.

HOW TO OBTAIN REPLACEMENT PARTS: Replacement parts can be purchased online at www.ryobitools.com or by calling 1-800-525-2579. Replacement parts can also be obtained at one of our service centers.

HOW TO LOCATE A SERVICE CENTER: Service centers can be located online at www.ryobitools.com or by calling 1-800-525-2579.

HOW TO OBTAIN CUSTOMER OR TECHNICAL SUPPORT: To obtain customer or technical support please contact us at 1-800-525-2579.

RYOBI is a trademark of Ryobi Limited and is used pursuant to a license granted by Ryobi Limited.

• **PIÈCES ET SERVICE :** Avant de faire la demande de service ou l'achat de pièces de remplacement, veuillez obtenir le numéro d'article, le numéro de fabrication et le numéro de série à partir de la plaque de données du produit.

NUMÉRO D'ARTICLE* _____ NUMÉRO DE FABRICATION _____

NUMÉRO DE SÉRIE _____

* Le numéro de modèle/article sur le produit peut contenir des lettres supplémentaires à la fin. Ces lettres désignent les informations du fabricant et doivent être fournies lors d'un appel de demande de service.

COMMENT OBTENIR LES PIÈCES DE REMPLACEMENT : Les pièces de remplacement peuvent être achetées en ligne sur le site www.ryobitools.com ou par téléphone au 1-800-525-2579. Les pièces de remplacement peuvent être obtenues à un de nos centres de service.

COMMENT TROUVER UN CENTRE DE SERVICE : Les centres de service peuvent être localisés en ligne au www.ryobitools.com ou en téléphonant au 1-800-525-2579.

COMMENT OBTENIR DE L'AIDE EN CONTACTANT LE SERVICE À LA CLIENTÈLE : Pour contacter le service à la clientèle pour une question technique ou pour tout autre renseignement, veuillez nous téléphoner au 1-800-525-2579.

RYOBI est une marque de Ryobi Limited et est utilisée en vertu d'une licence accordée par Ryobi Limited.

• **PIEZAS DE REPUESTO Y SERVICIO:** Antes de solicitar servicio técnico o comprar piezas de repuesto, obtenga su número de artículo, el número de fabricación y el número de serie de la placa de datos del producto.

NÚMERO DE ARTÍCULO* _____ NÚMERO DE FABRICACIÓN _____

NÚMERO DE SERIE _____

* El número de modelo/artículo que figura en el producto podría tener letras adicionales al final. Estas designan información de fabricación y deben suministrarse cuando llame para obtener asistencia o servicio.

CÓMO OBTENER PIEZAS DE REPUESTO: Las piezas de repuesto se pueden comprar en nuestro sitio en la red mundial, en la dirección www.ryobitools.com o llamando al 1-800-525-2579. Las piezas de repuesto también se pueden obtener en uno de nuestros centros de servicio.

CÓMO LOCALIZAR UN CENTRO DE SERVICIO: Puede encontrar los centros de servicio visitando nuestro sitio en la red mundial, en la dirección www.ryobitools.com or by calling 1-800-525-2579.

CÓMO OBTENER SERVICIO O ASISTENCIA TÉCNICA AL CONSUMIDOR: Para obtener servicio o asistencia técnica al consumidor, sírvase comunicarse con nosotros llamando al 1-800-525-2579.

RYOBI es una marca de Ryobi Limited y se utiliza conforme a una licencia otorgada por Ryobi Limited.

TECHTRONIC INDUSTRIES POWER EQUIPMENT

995000924
12-1-20 (REV:03)

P.O. Box 1288, Anderson, SC 29622, USA
1-800-525-2579 • www.ryobitools.com