

# REPAIR SHEET

BRAND

**RYOBI**

DESCRIPTION

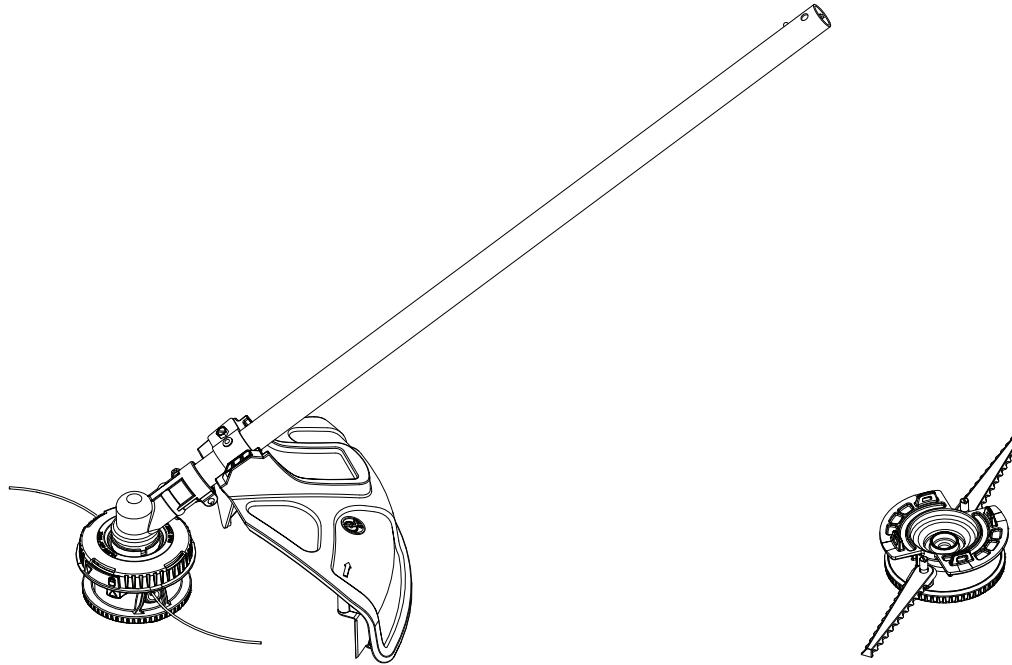
**EXPAND-IT Straight Shaft  
Trimmer Attachment with  
3-in-1 Trimmer Head Accessories**

MODEL NO.

**RY15526  
RY15526VNM**

MFG. NO.

**311247005  
311247101**

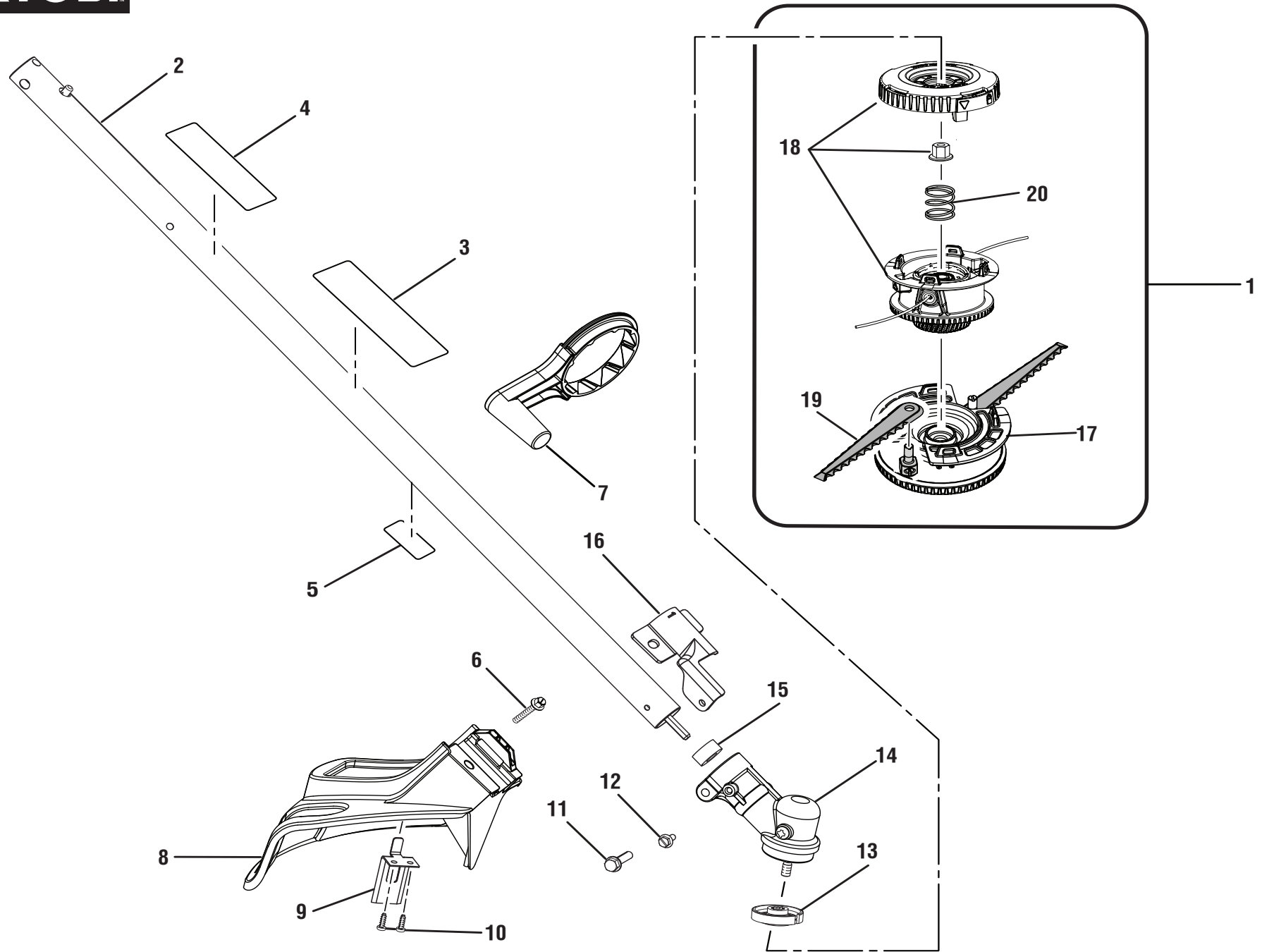


**TECHTRONIC INDUSTRIES POWER EQUIPMENT**

P.O. Box 1288, Anderson, SC 29622 ■ 1-800-525-2579 ■ [www.ryobitools.com](http://www.ryobitools.com)

7-6-21 (Rev:03)

*The model number and manufacturing location will be found on a label attached to the product. Always mention this information in all communications regarding this product and when ordering parts.*





# RY15526/RV15526VNM

## PARTS LIST

KEY NO.	PART NO.	DESCRIPTION	QTY.
1	315614001	String Head Reel Assembly (Inc. Key Nos. 17-20)	1
2	311247008	Straight Shaft Assembly (RY15526, Inc. Key Nos. 3-5)	1
	311247009	Straight Shaft Assembly (RV15526VNM, Inc. Key Nos. 3-5)	1
3	940749005	Warning Icon Label	1
4	941851149	RYOBI EXPAND-IT Label	1
5	941588453	Data Label (RY15526)	1
	941588468	Data Label (RV15526VNM)	1
6	660738002	Screw (1/4-20 x 1-1/4 in., Hex Washer Hd.)	1
7	532048003	Crank Handle	1
8	313285005	Grass Deflector Assembly (Inc. Key Nos. 6 & 9-10)	1
9	638016003	Line Cut-off Blade	1
10	662148001	Screw (M4.5 mm x 1 mm, Pan Hd.)	2

KEY NO.	PART NO.	DESCRIPTION	QTY.
11	660642001	Screw (1/4-20 x 1-1/4 in., Hex Washer Hd.)	1
12	660641001	Screw (10-24 x 5/8 in., Hex Washer Hd.)	1
13	678011001	Flanged Washer	1
14	308210009	Gear Head	1
15	518367001	Spacer	1
16	638125001	Grass Deflector Clamp	1
17	314795003	Fixed Line (0.095 in.) and Blade Housing Assembly	1
18	314608005	Bump Feed Trimmer Head Assembly (Inc. Key No. 20)	1
19	537603002	Flail Blade	2
20	679958001	Compression Spring	1
	<b>Not Shown:</b>		
	995000924	Operator's Manual	