

RYOBI
Electric Pressure Washer
Item No. RY141612VNM
Mfg. Nos. 095079009/095079370
Replacement Parts List

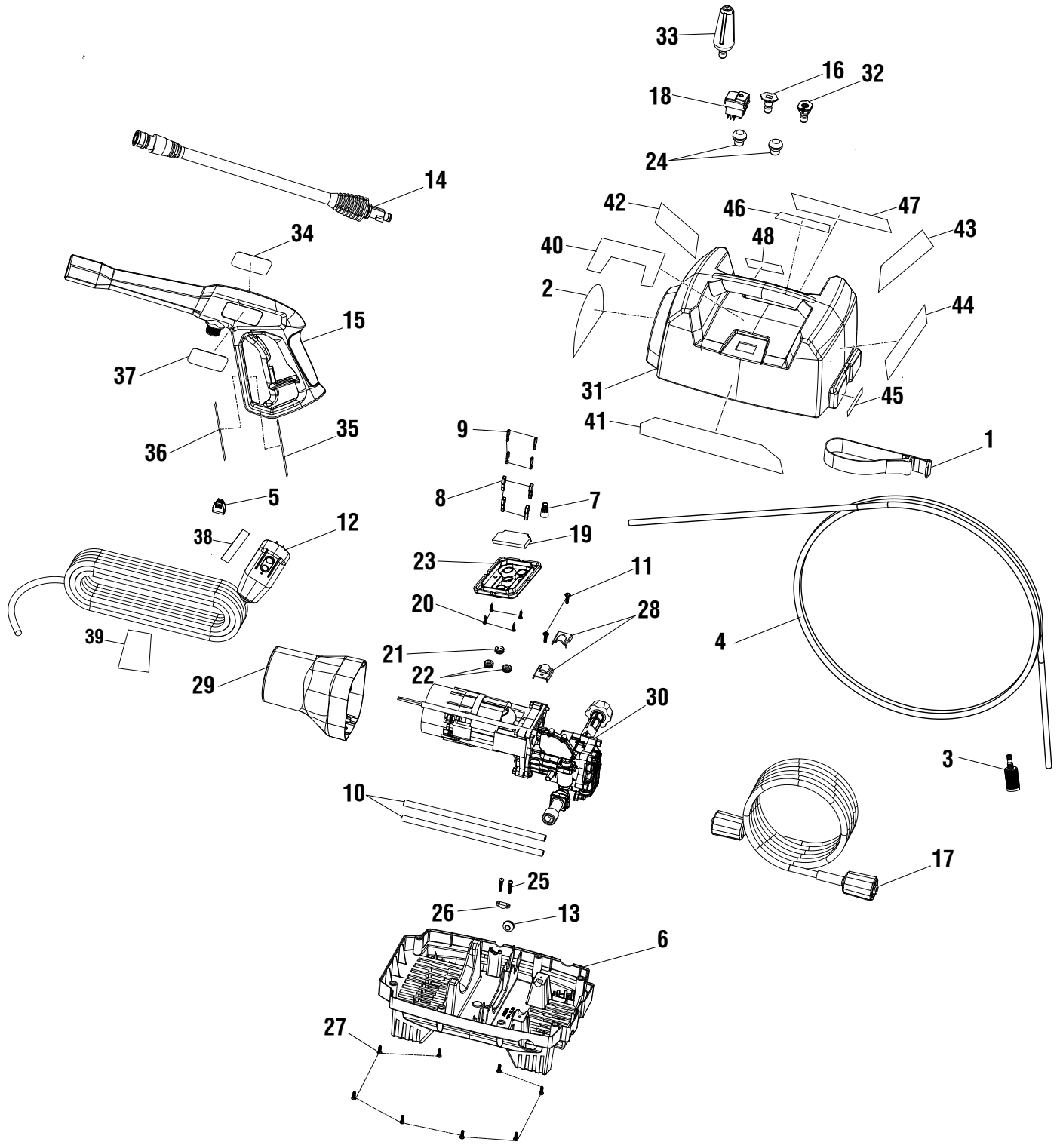
TECHTRONIC INDUSTRIES POWER EQUIPMENT

P.O. Box 1288, Anderson, SC 29622

Phone 1-800-860-4050

www.ryobitools.com

RYOBI ELECTRIC PRESSURE WASHER – MODEL NO. RY141612VNM

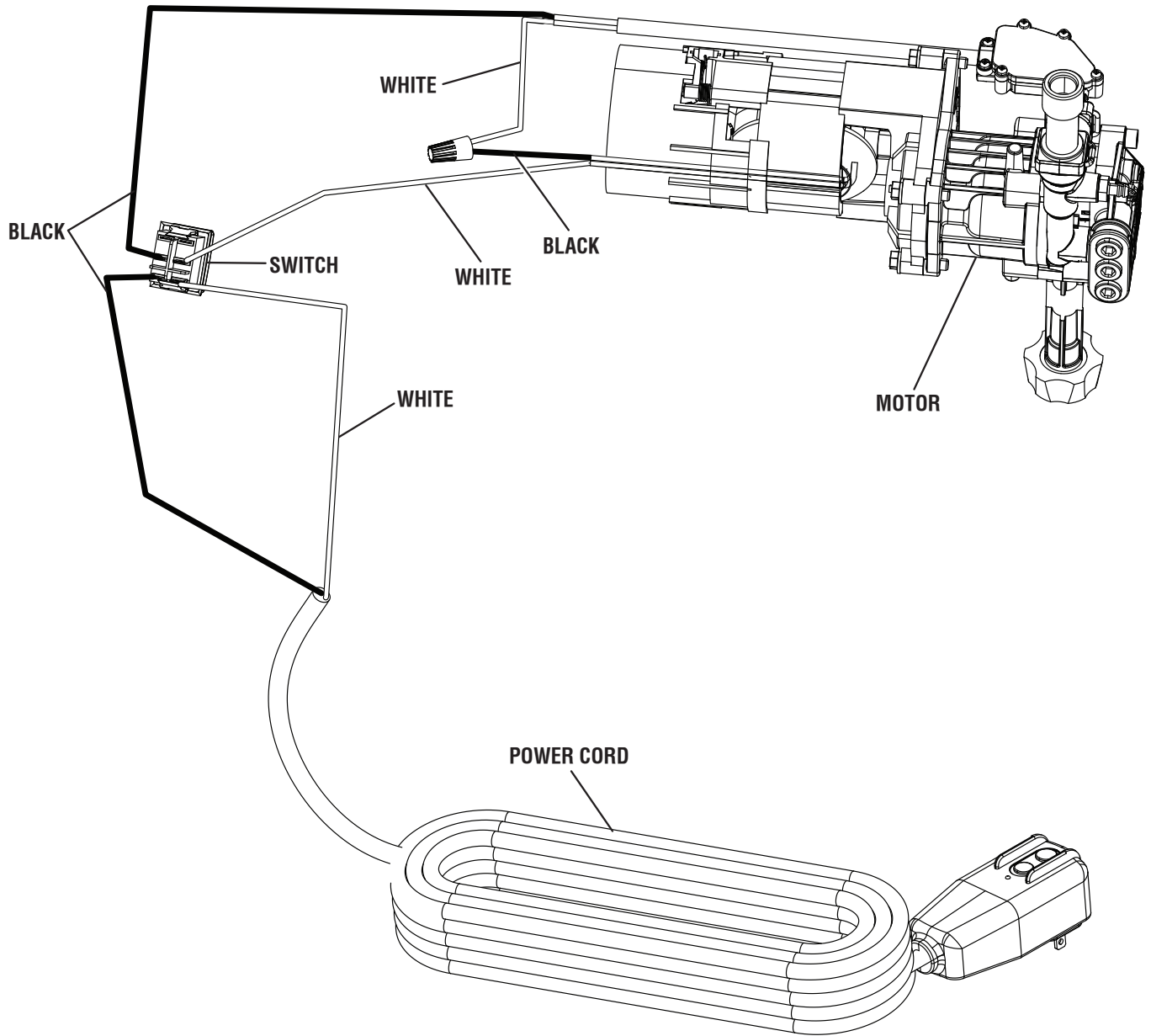


RYOBI ELECTRIC PRESSURE WASHER – MODEL NO. RY141612VNM

The item number will be found on a label attached to pump housing. Always mention the model number in all correspondence regarding your **PRESSURE WASHER** or when ordering replacement parts.

KEY NO.	PART NUMBER	DESCRIPTION	QTY	KEY NO.	PART NUMBER	DESCRIPTION	QTY
1	310801001	Hose Storage Strap.....	1	27	661403016	Screw (M4.2 x 15 mm)	8
2	940654339	Regulatory Danger Label.....	1	28	636204001	Motor Clamp Plate	2
3	308103015	Chemical Siphon Filter	1	29	522038007	Air Shroud	1
4	561399003	Detergent Injection Hose.....	1	30	NOTE A	Motor and Pump Assembly.....	1
5	528499001	Cord Clip	1	31	522032037	Upper Housing	1
6	522038031	Lower Housing	1	32	308698028	15° Nozzle	1
7	870601001	Wire Nut	1	33	308311032	Turbo Nozzle	1
8	527784005	Sleeve.....	4	34	940786053	Trigger Handle Logo Label	1
9	630236004	Terminal Connector	4	35	940324024	Trigger Handle Warning Label (FR/SP)	1
10	570113003	Thermal Sleeve.....	2				
11	661403014	Screw (M4.2 x 16 mm, Washer Hd.).....	2	36	940904013	Trigger Handle Rating Label.....	1
12	290426022	Power Cord Assembly.....	1	37	940324040	Trigger Handle Warning Label (ENG)	1
13	561383025	Grommet (Housing)	1	38	940324013	Cordwrap Warning Label	1
14	308494075	Spray Wand Assembly	1	39	940603006	Cord Plug Label	1
15	308760059	Trigger Handle	1	40	940698055	On/Off Label.....	1
16	308706013	Soap Nozzle	1	41	940779213	Performance Label.....	1
17	308835074	High Pressure Hose	1	42	961039007	Nozzle Hangtag.....	1
18	760504007	Power Switch	1	43	940473008	Notice/Warning Hang Tag	1
19	980414038	Foam	1	44	940707038	Danger Icon Label (ENG/FR)....	1
20	661403015	Screw (M2.9 x 14 mm)	4	45	940786062	Soap Tube Attachment Label...	1
21	561383025	Grommet (Motor Wire).....	1	46	940786059	Nozzle Selection Label.....	1
22	561383021	Grommet (ID7.2 x OD11).....	2	47	940617193	Starting Instructions Label	1
23	536489001	Switch Cover.....	1	48	941486008	Inquiries Label	1
24	561383021	Nozzle Grommet	2		Not Shown:		
25	661610008	Screw (M3.5 x 20 mm)	2		995000187	Operator's Manual	
26	522051003	Cord Clamp.....	1				

NOTE A: Techtronic Industries Power Equipment, Inc. will not provide a complete motor/pump as a replacement part. Contact our service department for assistance.



WIRING DIAGRAM