

REPAIR SHEET

BRAND

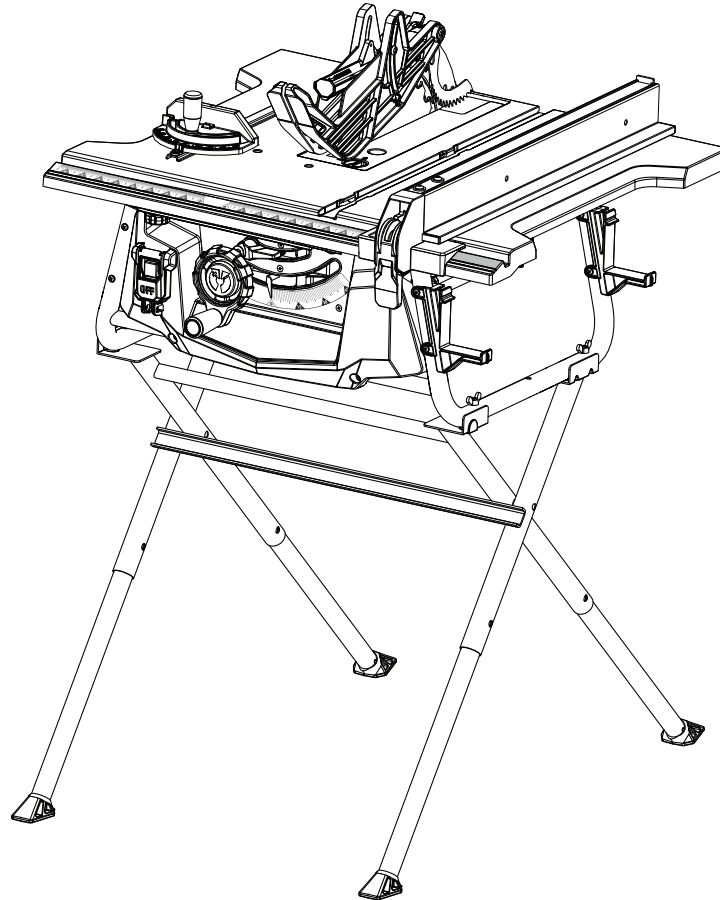
RYOBI

DESCRIPTION

10 in. Table Saw

MODEL NO.

RTS12/RTS12T

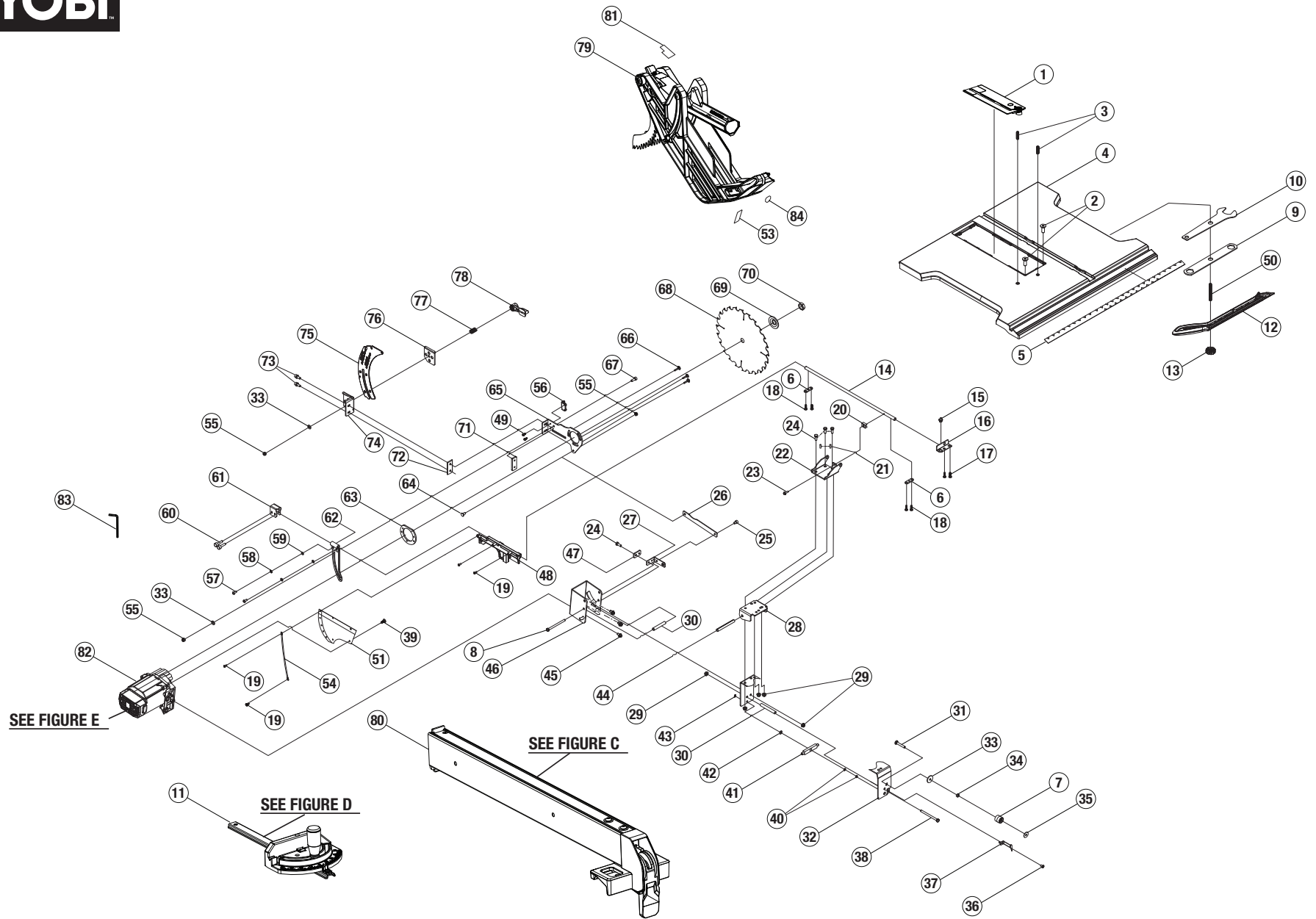


TTI CONSUMER POWER TOOLS, INC.

P.O. Box 1288, Anderson, SC 29622 ■ 1-800-525-2579 ■ www.ryobitools.com

3-5-26 (Rev:09)

The model number and manufacturing location will be found on a label attached to the product. Always mention this information in all communications regarding this product and when ordering parts.





RTS12/RTS12T

PARTS LIST – FIGURE A

KEY NO.	PART NO.	DESCRIPTION	QTY.
1-CN	089240035711	Throat Plate Assembly	1
1-VN	089240081703		
2	089240035072	Screw (M3 X 8 mm)	2
3	089240035002	Set Screw (M8 x 30 mm, Soc. Hd.)	2
4-CN	089240035085	Table	1
4-VN	089240081013		
5	089240035906	Rip Scale Label	1
6	089240035067	Pivot Bracket Holding Plate	2
7	089240035013	Spacer	1
8	080015001437	Screw (1/4-20 x 3-1/4 in., Hex Hd.)	1
9-CN	080015001505	Combination Blade Wrench	1
9-VN	089240081015		
10-CN	080015001506	Open End Wrench	1
10-VN	089240081014		
11	089240035706	Miter Gauge Assembly	1
12-CN	089240035007	Push Stick	1
12-VN	089240081016		
13	089240035006	Knob	1
14	089240035033	Rod	1
15	089240035068	Eccentric Shaft	1
16	089240035069	Adjustment Plate	1
17	089110101021	Screw w/Washer (M6 x 15 mm, Hex Soc. Hd.)	2
18	089110101024	Screw w/Washer (M6 x 12 mm, Hex. Soc. Hd.)	4
19	089240061005	Screw (M4 x 12 mm)	4
20	080015001443	Block	1
21	080015001445	Spring Pin (D4 x 13 mm)	2
22-CN	089240015042	Upper Bracket	1
22-VN	089240081022		
23	089037007011	Screw w/Washer (M5 x 20 mm, Hex Hd.)	1

KEY NO.	PART NO.	DESCRIPTION	QTY.
24	080015001446	Screw (1/4-20 x 3/4 in., Hex Flange Hd.)	4
25	089240062003	Screw (M6 x 8 mm, Special Hex. Soc. Hd.)	1
26	089037007012	Pull Rod	1
27	089240015045	Mounting Bracket	1
28-CN	089240035075	Middle Bracket	1
28-VN	089240081025		
29	080015001603	Lock Nut (1/4 in.)	6
30	089240035039	Spacer	2
31	089240036028	Carriage Bolt (1/4 in. x 62 mm)	1
32-CN	089240015209	Work Plate	1
32-VN	089240081024		
33	089110101033	Washer (OD16 x ID1/4 x 1t)	3
34	080015001455	Hex Nut (1/4-20)	1
35	089240063075	Washer (OD22 x ID6.5 x 2.5t)	1
36	089240015054	Screw w/Washer (M4 x 8 mm, Round Hd.)	1
37	089240035012	Bevel Indicator	1
38	089240035037	Screw (1/4-20 x 3-1/4 in., Hex Hd.)	1
39	089240061006	Screw (#8-32 UNC x 3/8 in.)	1
40	089037007034	Hex Nut (3/8-16)	2
41	089037007033	Block	1
42	089037011047	Washer (OD13 x ID6.5 x 0.5t)	1
43	089037007029	C-Ring	1
44	080015001458	Spring Pin (D8 x 90 mm)	1
45	080015001436	Screw (M6 x 18 mm, Hex Flange Hd.)	3
46-CN	089037007016	Motor Bracket	1
46-VN	089240081023		
47	089240015047	Support Board	1
48	089240015048	Bracket (Guard Fabric)	1
49	089240035030	Screw (M4 x 10 mm)	2

If a key number has multiple part numbers, please order the part that corresponds with the country of origin shown on the product's data label. CN = China TW = Taiwan VN = Vietnam



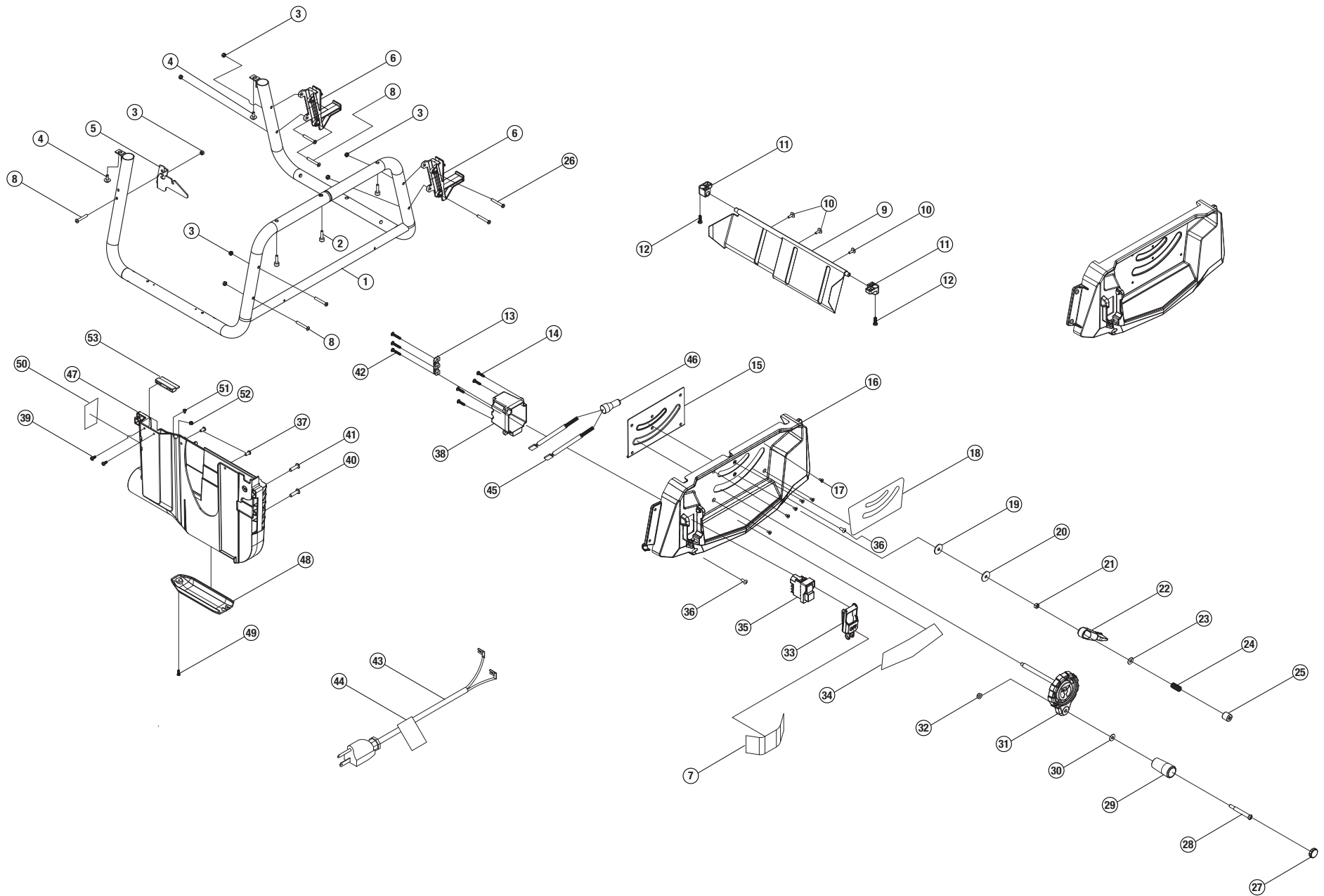
RTS12/RTS12T

PARTS LIST — FIGURE A (cont.)

KEY NO.	PART NO.	DESCRIPTION	QTY.
50	089240035005	Screw (M8 x 60 mm)	1
51	089240035035	Guard Fabric	1
52	089240035039	Spacer	1
53	089240028908	Side Barrier Warning Label (Left)	1
54	089240035036	Linkage B	1
55	089110101101	Lock Nut (M6)	3
56	089240035032	Restrictive Plate	1
57	089037007101	Screw (M5 x 10 mm, Button Hd.)	2
58	089037007100	Washer (D5)	2
59	089037007099	Washer (OD12 x ID5 x 1.5t)	2
60	089240015072	Screw w/Washer (M5 x 25 mm)	2
61	089240015073	Bracket	1
62	089037007098	Support Plate	1
63	089037007097	Lever Support	1
64	089037007015	Carriage Bolt (M6 x 15.5 mm)	1
65-CN	089037007019	Lever	1
65-VN	089240081021		
66	089037007017	Screw (M4 x 0.7 mm)	3
67	089037007018	Screw (M6 x 15 mm, Hex Soc. Hd.)	1
68	089240035011	Blade (10 in., 24 Tooth)	1
69	089240035010	Outer Blade Washer	1
70	080015001410	Blade Nut (5/8-18)	1
71	089037007020	Clamp Lock	1
72	089037007021	Clamp	1

KEY NO.	PART NO.	DESCRIPTION	QTY.
73	089037007022	Screw w/Washer (M6 x 20 mm, Hex Soc. Hd.)	2
74	089240035073	Riving Knife Base	1
75	089240036013	Riving Knife	1
76	089037011030	Bracket	1
77	089037007096	Compression Spring	1
78	089037007709	Lever Assembly	1
79-CN	089240036706	Blade Guard Assembly	1
79-VN	089240081705		
80	089240035705	Rip Fence Assembly	1
81	089037007908	Warning Label (Upper Barrier)	1
82	089240035703	Motor Assembly	1
83	089110102005	Hex Key Wrench (M5 x 75 mm)	1
84	089240028909	Side Barrier Warning Label (Right)	1
	Not Shown:		
	089240036001	Optional Dado Throat Plate Assembly	
CN	089290001909	Styrofoam Removal Warning Label	
	995000800	Operator's Manual	

If a key number has multiple part numbers, please order the part that corresponds with the country of origin shown on the product's data label. CN = China TW = Taiwan VN = Vietnam





RTS12/RTS12T

PARTS LIST – FIGURE B

KEY NO.	PART NO.	DESCRIPTION	QTY.
1-CN	089240035089	Frame	1
1-VN	089240035090		
2	089240015002	Screw (M6 x 40 mm, Flat Hd.)	3
3	089110101012	Lock Nut (M5)	7
4	089240035028	Screw w/Washer (M5 x 15 mm, Round Hd.)	2
5	089240035091	Barrier Storage Plate	1
6-CN	089240035027	Fence Storage Holder	2
6-VN	089240081020		
7	089037011910	Switch Warning Label	1
8	089240035018	Screw (M5 x 35 mm, Round Hd.)	5
9	089240035008	Dust Cover	1
10	089240015093	Screw (M4 x 12 mm, Truss Hd.)	3
11	089240015091	Holder	2
12	089240015090	Screw (M5 x 12 mm, Truss Hd.)	2
13	089110101069	Cord Clamp	1
14	089240022022	Screw (M4 x 15 mm)	4
15-CN	089240035088	Reinforcement Plate	1
15-VN	089240081019		
16-CN	089240035086	Front Panel Assembly (Inc. Key Nos. 18 & 34)	1
16-VN	089240035087		
17	080015001473	Screw (M4 x 7 mm, Flat Hd.)	6

KEY NO.	PART NO.	DESCRIPTION	QTY.
18	089240035024	Front Panel/Bevel Scale Label	1
19	089240015200	Plastic Washer (OD25 x ID6.5 x 2t)	1
20	089240015201	Washer (OD25 x ID6.5 x 1.5t)	1
21	080015001455	Hex Nut (1/4-20)	1
22	089240036027	Bevel Lock Lever	1
23	089110101033	Washer (OD16 x ID1/4 in. x 1t)	1
24	089240035071	Compression Spring	1
25	089037007108	Cap	1
26	089240035026	Screw (M5 x 42 mm)	2
27	089240035023	Hand Grip Cap	1
28	089045008061	Screw (1/4-24 x 55 mm)	1
29	089240015010	Hand Grip	1
30	080015001479	Washer (OD13 x ID1/4 in. x 1.5t)	1
31	089240061704	Hand Wheel Assembly	1
32	089110102180	Lock Nut (1/4-20)	1
33-CN	089240036026	Switch Cover	1
33-VN	089240081018		
34	089240035904	Front Panel Warning Label	1
35	089240028147	Switch	1
36	089240015019	Screw (M5 x 12 mm, Truss Hd.)	2
37	089240015116	Screw (M4 x 10 mm, Truss Hd.)	2

If a key number has multiple part numbers, please order the part that corresponds with the country of origin shown on the product's data label.

CN = China

TW = Taiwan

VN = Vietnam



RTS12/RTS12T

PARTS LIST – FIGURE B

KEY NO.	PART NO.	DESCRIPTION	QTY.
38-CN	089240061003	Switch Box	1
38-VN	089240081017		
39	089240015116	Screw (M4 x 10 mm)	2
40	089240015087	Screw (M6 x 20 mm, Truss Soc. Hd.)	1
41	089240015088	Screw (M6 x 30 mm, Truss Soc. Hd.)	1
42	089240035079	Screw (#8-16 x 19.05 mm, Truss Hd.)	3
43-CN	CN- 089240061703	Power Cord Assembly (Inc. Key Nos. 44-46)	1
43-VN	VN- 089240081702		
44	CN- 089240028906	Power Cord Warning Label	1
45-CN	CN- 089240035016	Output Wire (14 AWG x 60 mm)	2
45-VN	VN- 089240081035		
46	089240021020	Close End Connector	1

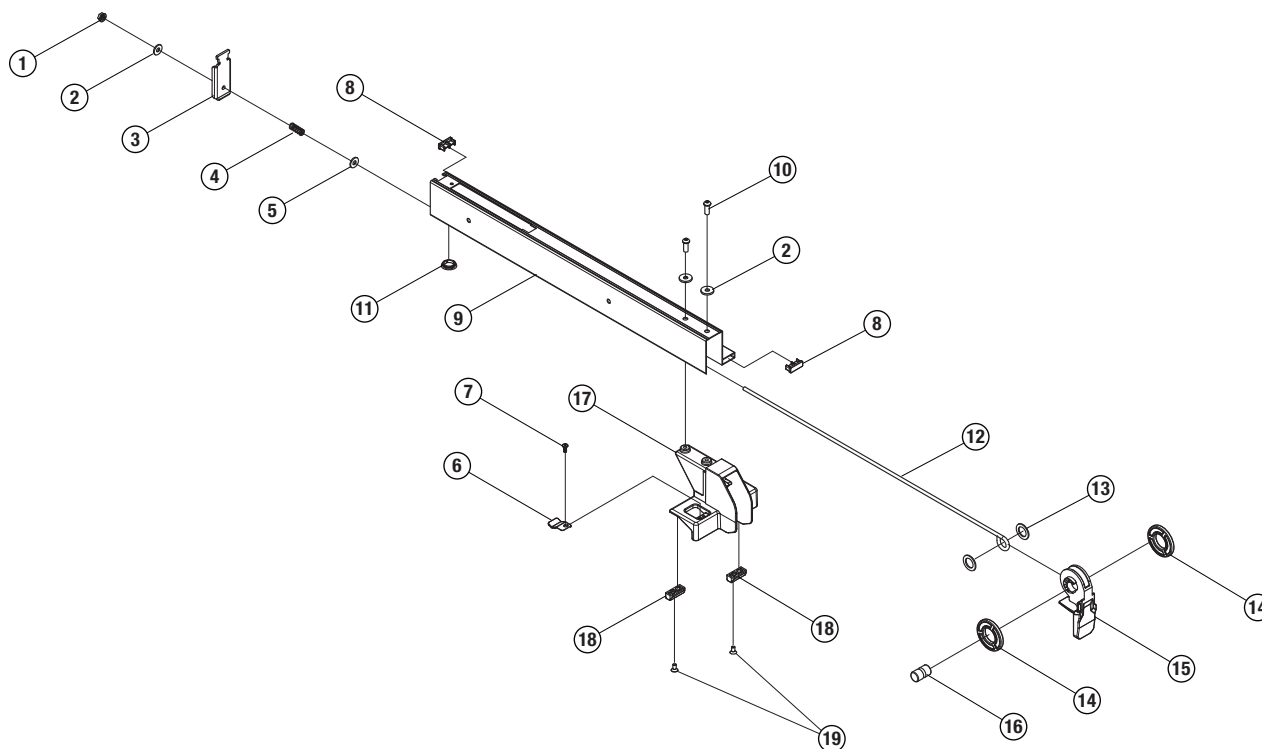
KEY NO.	PART NO.	DESCRIPTION	QTY.
47-CN	CN- 089240035709	Dust Chute (Inc. Key No. 50)	1
47-TW	TW- 089240061702		
47-VN	VN- 089240081701		
48	089240015202	Dust Chute Door	1
49	089240015084	Screw (M4 x 10 mm, Truss Hd.)	1
50-CN	089240035901	Data Label	1
50-TW	089240061902		
50-VN	089240081901		
51	089240015188	Screw (M4 x 5 mm, Truss Hd.)	1
52	089240015089	Lock Nut (M4)	1
53	089240035009	Plastic Cap	1

If a key number has multiple part numbers, please order the part that corresponds with the country of origin shown on the product's data label. CN = China TW = Taiwan VN = Vietnam

PARTS LIST – FIGURE C

KEY NO.	PART NO.	DESCRIPTION	QTY.
1	089110101101	Lock Nut (M6)	1
2	089110101102	Washer (ID6.5 x OD16 x 1.5t)	3
3	089240015164	Rear Clamp	1
4	089110101104	Compression Spring	1
5	080015001479	Washer (OD13 x ID1/4 x 1.5t)	1
6	089240035058	Indicator	1
7	089240015197	Screw (M4 x 10 mm, Truss Hd.)	1
8	089240035055	Low Fence End Cap	2
9-CN	089240035057	Rip Fence	1
9-VN	089240081031		
10	089240061001	Screw (M6 x 15 mm, Truss Soc. Hd.)	2

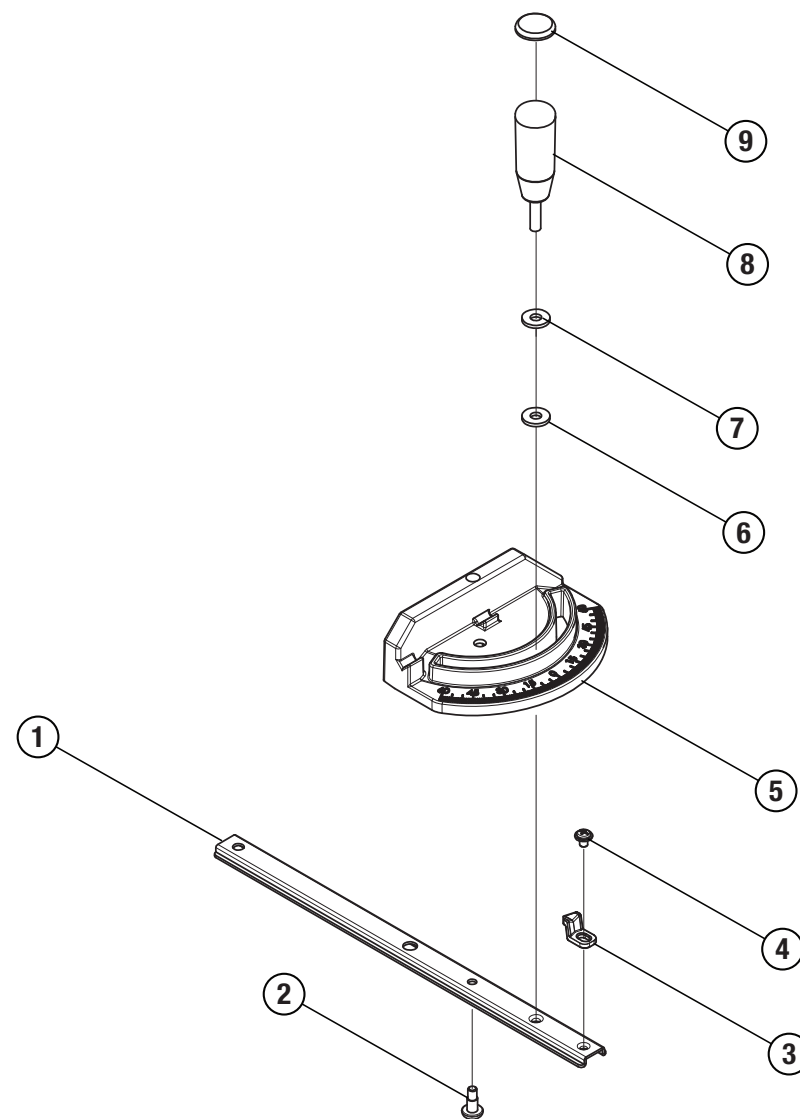
KEY NO.	PART NO.	DESCRIPTION	QTY.
11	089110101120	Fence Block	1
12	089240035054	Rod	1
13	089110101108	Washer (OD25 x ID16 x 1.5t)	2
14	089110101115	Crank Gasket	2
15-CN	089240015158	Fence Lever	1
15-VN	089240081030		
16	089110101114	Crank Shaft	1
17-CN	089240015167	Fence Bracket	1
17-VN	089240081032		
18	089240035077	Glide Block	2
19	089240015170	Screw (8-32 x 8.5 mm, Flat Hd.)	2



If a key number has multiple part numbers, please order the part that corresponds with the country of origin shown on the product's data label. CN = China TW = Taiwan VN = Vietnam

PARTS LIST – FIGURE D

KEY NO.	PART NO.	DESCRIPTION	QTY.
1	089240035060	Miter Gauge Rod	1
2	089240035059	Pointer	1
3	080015001662	Screw w/Washer (3/16-24 x 1/4 in.)	1
4	089037007078	Screw (M4 x 14.8 mm)	1
5-CN	CN- 089240035078	Miter Gauge	1
5-VN	VN- 089240081033		
6	080015001475	Nylon Washer (OD16 x ID6.5 x 2t)	1
7	080015001560	Washer (OD16 x ID6.5 x 2t)	1
8	089040002005	Miter Gauge Knob	1
9	089040002006	Miter Gauge Cap	1

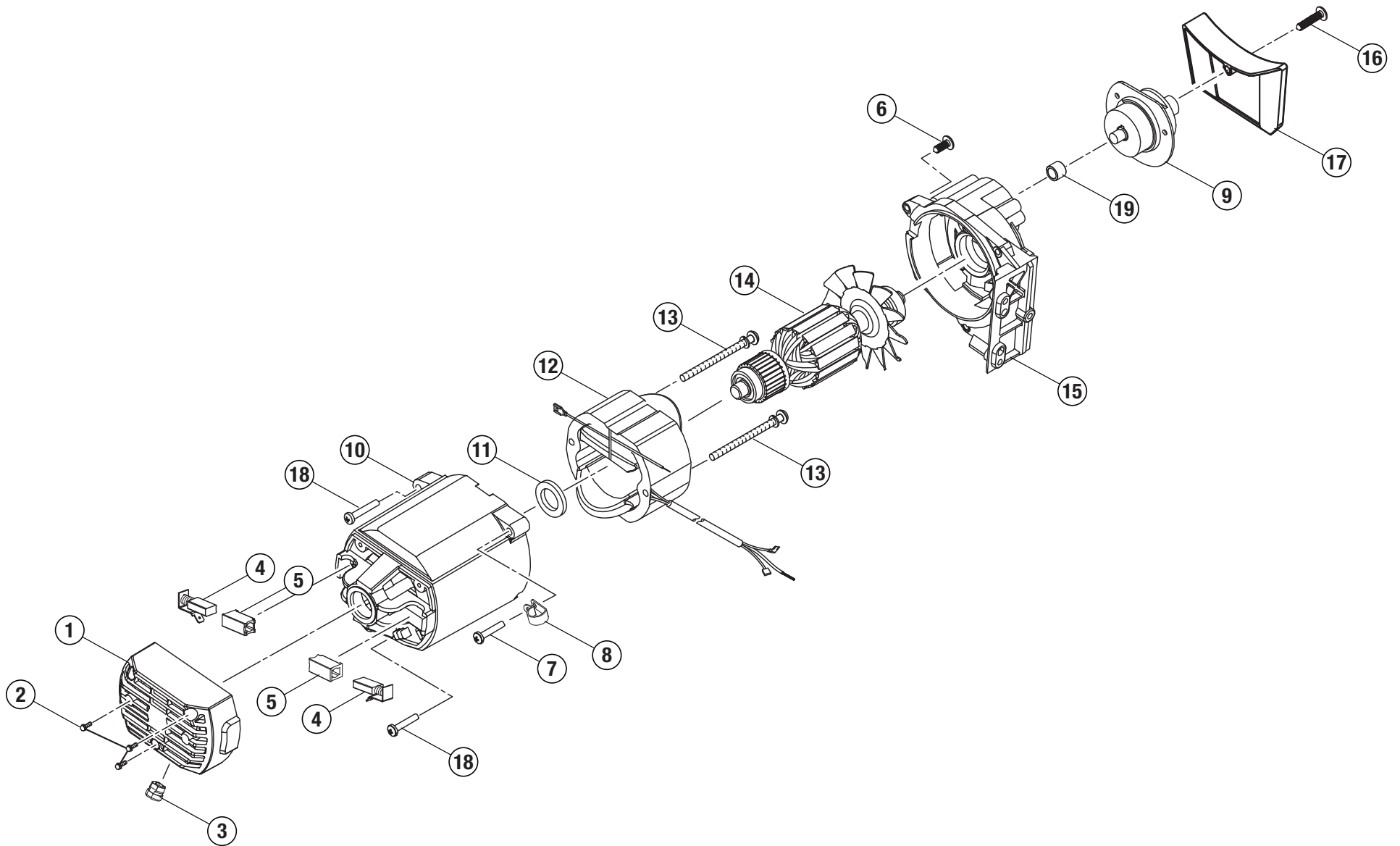


If a key number has multiple part numbers, please order the part that corresponds with the country of origin shown on the product's data label.

CN = China

TW = Taiwan

VN = Vietnam



NOTE: The assembly shown represents an important part of the double insulated system. To avoid the possibility of alteration or damage to the system, service should be performed by your nearest RYOBI Authorized Service Center. Contact your nearest RYOBI Authorized Service Center for service.



RTS12/RTS12T

PARTS LIST – FIGURE E

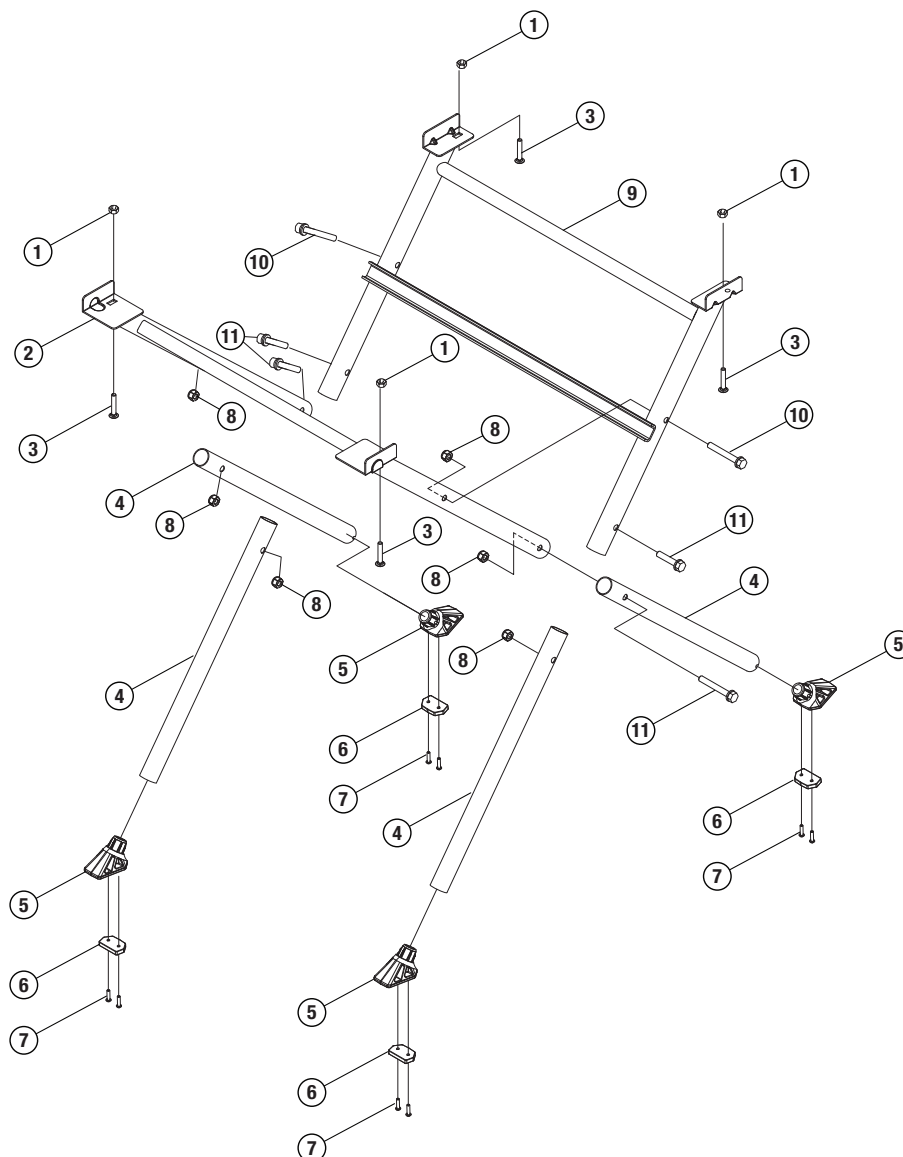
KEY NO.	PART NO.	DESCRIPTION	QTY.
1-CN	089240015120	Motor End Cap	1
1-VN	089240081029	Motor End Cap	1
2	089240015028	Screw (M4 x 12 mm, Round Hd.)	3
3	089240015140	Strain Relief	1
4	080015001641	Brush Assembly	2
5	089037007050	Brush Holder	2
6	089240061006	Screw (#8-32 UNC x 3/8 in.)	1
7	089240061007	Screw w/Washer (M5 x 35 mm, Round. Hd.)	3
8	089110101081	Wire Clamp	1
9	089240035043	Arbor Assembly	1
10-CN	089240015121	Motor Housing	1
10-VN	089240081028	Motor Housing	1

KEY NO.	PART NO.	DESCRIPTION	QTY.
11	080015001424	Wavy Washer (M6 x 16 mm)	1
12	089240035046	Field Assembly	1
13	089290001182	Screw w/Washer (M5 x 65 mm, Truss Hd.)	2
14	089240061705	Armature Assembly w/Bearings	1
15-CN	089240061708	Gear Box Assembly w/Bearing	1
15-VN	089240081704		
16	089240063083	Screw (17 mm, Self-Tapping)	1
17	089240035042	Gear Box Cover	1
18	089240035047	Screw w/S-Washer (M5 x 65 mm)	2
19	089110102263	Needle Bearing	1

If a key number has multiple part numbers, please order the part that corresponds with the country of origin shown on the product's data label. CN = China TW = Taiwan VN = Vietnam

PARTS LIST – FIGURE F

KEY NO.	PART NO.	DESCRIPTION	QTY.
1	089006017081	Nut (M6)	4
2-CN	089240035061	Inner Leg Assembly	1
2-VN	089240081008	Inner Leg Assembly	1
3	089240015118	Carriage Bolt (M6 x 40 mm)	4
4-CN	089240035062	Extension Tube	4
4-VN	089240081009		
5	089240035063	Plastic Foot Pad	4
6	089240035064	Rubber Foot Pad	4
7	089041038027	Self Tapping Screw (M4 x 12 mm)	8
8	000999130010	Lock Nut (M8)	6
9-CN	089240035065	Outer Leg Assembly	1
9-VN	089240081010		
10	089240015181	Screw (M8 x 65 mm, Hex Hd.)	2
11	089240035066	Screw (M8 x 35 mm, Hex Hd.)	4
Not Shown:			
CN	089240035711	Complete Stand Assembly (Inc. Key Nos. 1-11)	
VN	089240081703		
	089240061701	Stand Hardware Bag	



If a key number has multiple part numbers, please order the part that corresponds with the country of origin shown on the product's data label.

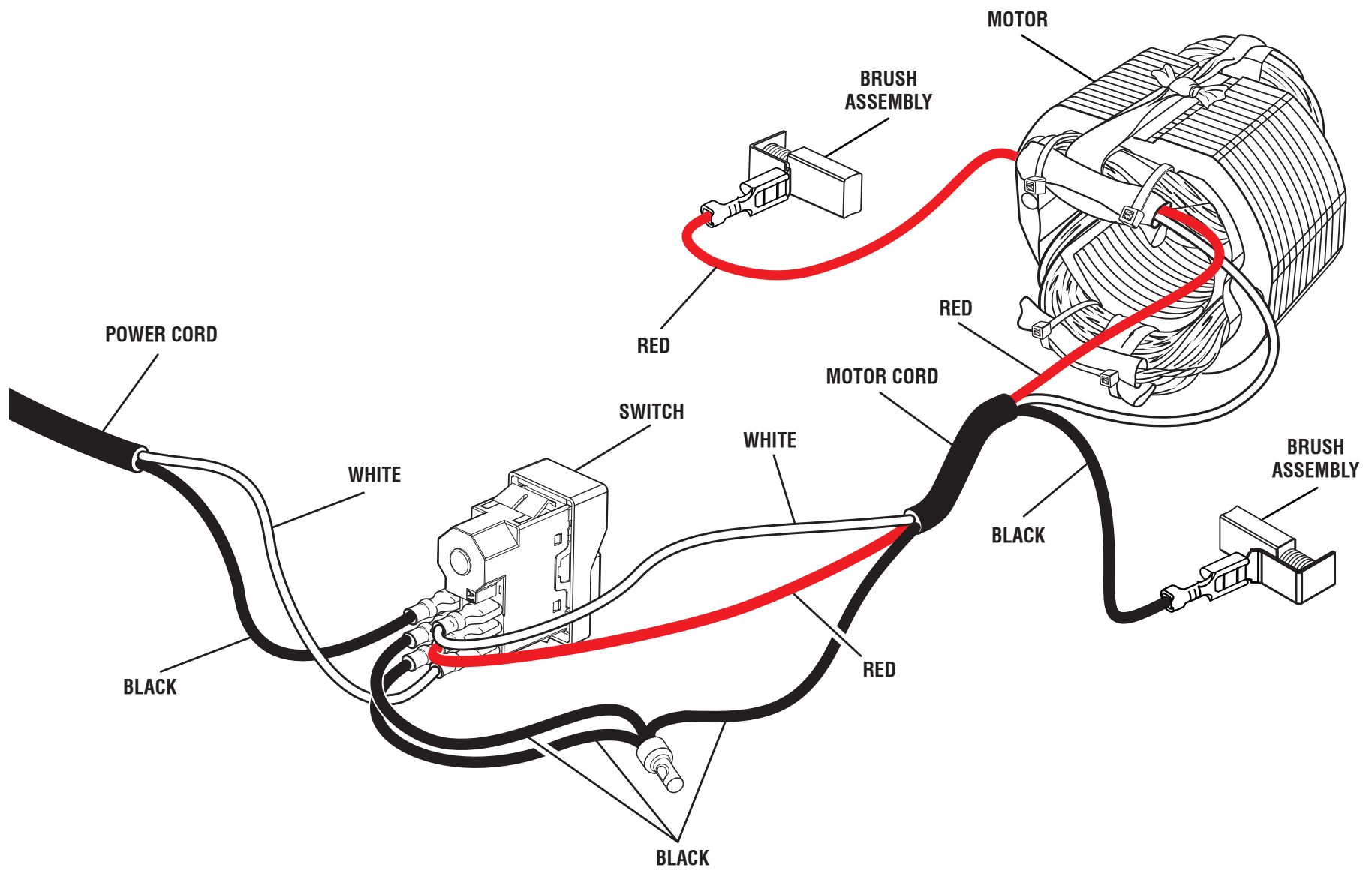
CN = China

TW = Taiwan

VN = Vietnam



RTS12/RTS12T



WIRING DIAGRAM