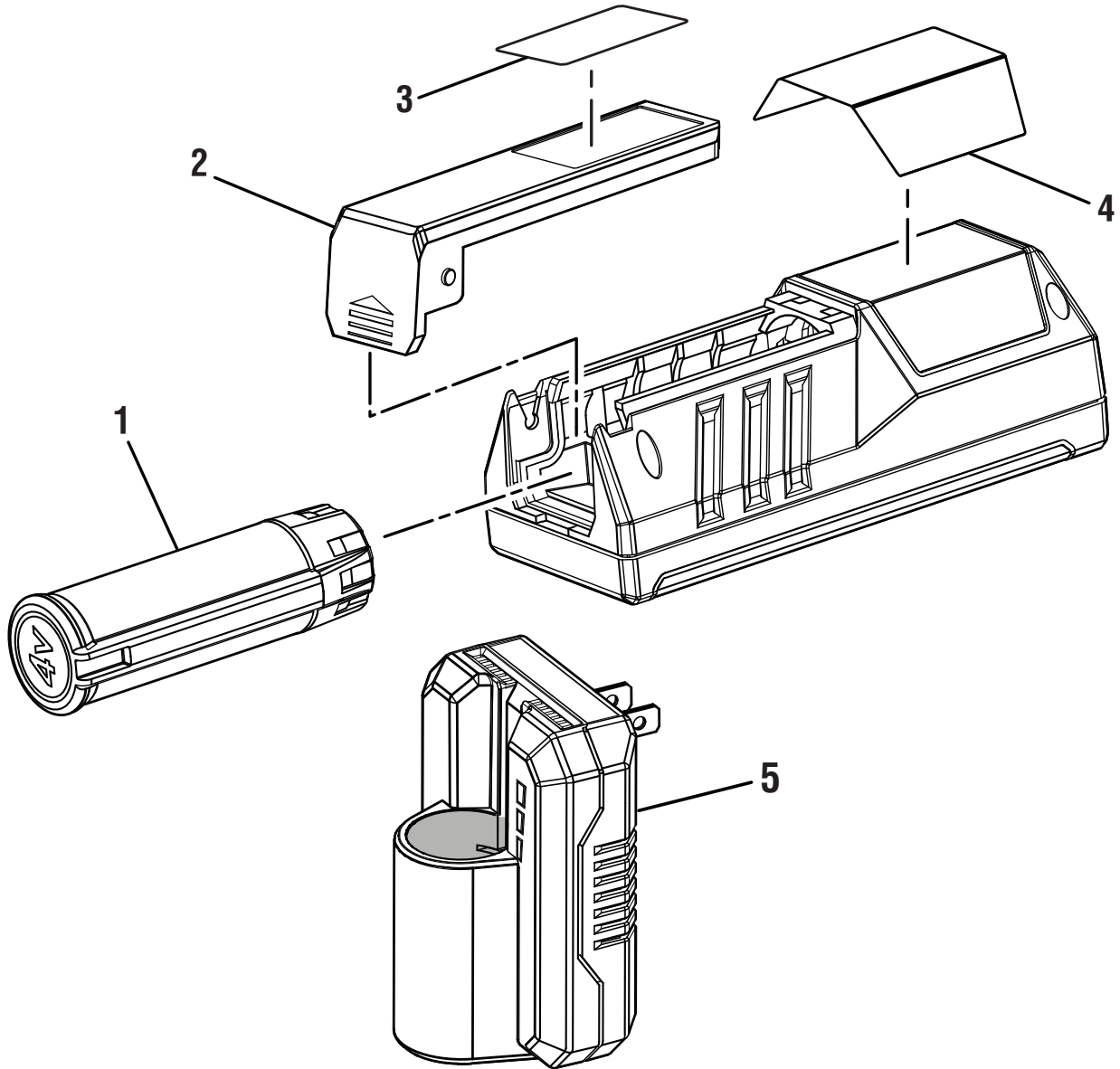


**TEK4® 4 Volt Lithium-ion  
4V Laser Distance Measure II  
Model No. RP4011  
Repair Sheet**

## RYOBI LASER DISTANCE MEASURE II – MODEL NO. RP4011

The model number will be found on a label attached to the housing. Always mention the model number in all correspondence regarding your **LASER DISTANCE MEASURE II** or when ordering replacement parts.



### PARTS LIST

KEY PART NO. NUMBER	DESCRIPTION	QTY.	KEY PART NO. NUMBER	DESCRIPTION	QTY.
1	130166003	Battery Pack (AP4001, 4 Volt Li-ion).....	1	<b>NOT SHOWN:</b>	
2	07-204-Y02H	Battery Door Assembly .....	1	82-940-204-X00	Carrying Pouch .....
3	83-204-Y00R000	Data Label.....	1	988000338	Operator's Manual (RP4011)..
4	83-204-X02R001	Warning Label .....	1	987000654	Operator's Manual (AP4700)..
5	140129002	Charger (AP4700, 4 Volt Li-ion) .....	1	987000706	Operator's Manual (AP4001)..
				10-25-10 (REV:01)	