



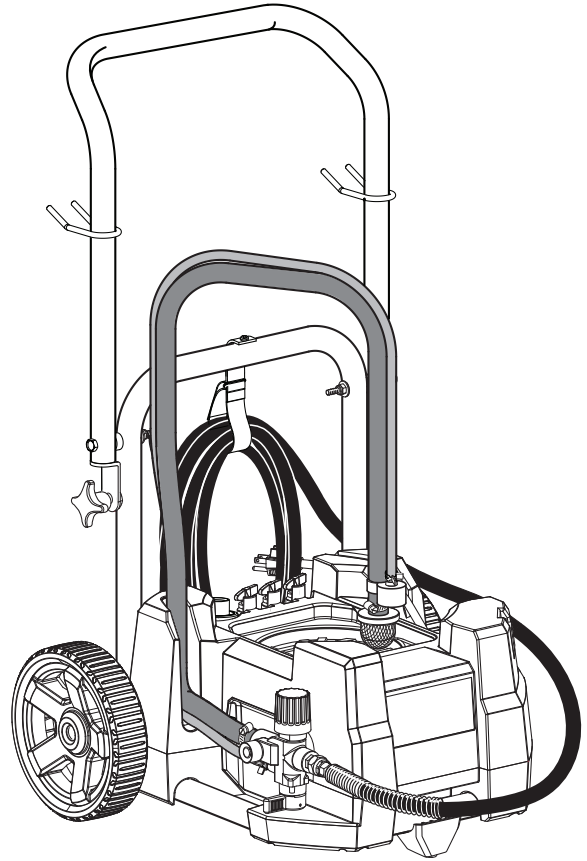
# OPERATOR'S MANUAL

MANUEL D'UTILISATION  
MANUAL DEL OPERADOR

## PAINT STATION TOOL

STATION DE PEINTURE  
ESTACIÓN DE PINTURA

RAP200G



Your product has been engineered and manufactured to our high standard for dependability, ease of operation, and operator safety. When properly cared for, it will give you years of rugged, trouble-free performance.

**⚠ WARNING:** To reduce the risk of injury, the user must read and understand the operator's manual before using this product. If you do not understand the warnings and instructions in the operator's manual, do not use this product.

### SAVE THIS MANUAL FOR FUTURE REFERENCE

Cette produit a été conçue et fabriquée conformément aux strictes normes de fiabilité, simplicité d'emploi et sécurité d'utilisation. Correctement entretenu, cet outil vous donnera des années de fonctionnement robuste et sans problème.

Su producto ha sido diseñado y fabricado de conformidad con nuestras estrictas normas para brindar fiabilidad, facilidad de uso y seguridad para el operador. Con el debido cuidado, le brindará muchos años de sólido funcionamiento y sin problemas.

**⚠ AVERTISSEMENT :** Pour réduire les risques de blessures, l'utilisateur doit lire et veiller à bien comprendre le manuel d'utilisation avant d'employer ce produit.

**⚠ ADVERTENCIA:** Para reducir el riesgo de lesiones, el usuario debe leer y comprender el manual del operador antes de usar este producto.

Merci de votre achat.

Le agradecemos su compra.

**CONSERVER CE MANUEL POUR  
FUTURE RÉFÉRENCE**

**GUARDE ESTE MANUAL PARA  
FUTURAS CONSULTAS**

# TABLE OF CONTENTS

■ Introduction .....	2
■ Warranty .....	2
■ Important Safety Instructions .....	3
■ Specific Safety Rules.....	4
■ Symbols.....	5
■ Electrical .....	6
■ Features.....	7
■ Assembly .....	7-8
■ Operation.....	9-12
■ Maintenance.....	13
■ Troubleshooting.....	14-15
■ Figure numbers (illustrations) .....	16-19
■ Parts Ordering / Service .....	Back page

## INTRODUCTION

This product has many features for making its use more pleasant and enjoyable. Safety, performance, and dependability have been given top priority in the design of this product making it easy to maintain and operate.

## WARRANTY

### **RYOBI® POWER TOOL - LIMITED TWO YEAR WARRANTY AND 90 DAY EXCHANGE POLICY**

One World Technologies, Inc., warrants its RYOBI® power tools with the following conditions:

**90-DAY EXCHANGE POLICY:** During the first 90 days after date of purchase, you may either request service under this warranty or you may exchange any RYOBI® power tool which does not work properly due to defective workmanship or materials by returning the power tool to the dealer from which it was purchased. To receive a replacement power tool or requested warranty service, you must present proof of purchase and return all original equipment packaged with the original product. The replacement power tool will be covered by the limited warranty for the balance of the two year period from the date of the original purchase.

**WHAT THIS WARRANTY COVERS:** This warranty covers all defects in workmanship or materials in your RYOBI® power tool for a period of two years from the date of purchase. With the exception of batteries, power tool accessories are warranted for ninety (90) days. Batteries are warranted for two years.

**HOW TO GET SERVICE:** Just return the power tool, properly packaged and postage prepaid, to an Authorized Service Center. You can obtain the location of the Service Center nearest you by contacting a service representative at One World Technologies, Inc., P.O. Box 1207, Anderson, SC 29622-1207, by calling 1-800-525-2579 or by logging on to [www.ryobitools.com](http://www.ryobitools.com). When you request warranty service, you must also present proof of purchase documentation, which includes the date of purchase (for example, a bill of sale). We will repair any faulty workmanship, and either repair or replace any defective part, at our option. We will do so without any charge to you. We will complete the work in a reasonable time, but, in any case, within ninety (90) days or less.

**WHAT'S NOT COVERED:** This warranty applies only to the original purchaser at retail and may not be transferred. This warranty only covers defects arising under normal usage and does not cover any malfunction, failure or defects resulting from misuse, abuse, neglect, alteration, modification or repairs by other than Authorized Service Centers. One World Technologies, Inc. makes no warranties, representations or promises as to the quality or performance of its power tools other than those specifically stated in this warranty.

**ADDITIONAL LIMITATIONS:** Any implied warranties granted under state law, including warranties of merchantability or fitness for a particular purpose, are limited to two years from the date of purchase. One World Technologies, Inc. is not responsible for direct, indirect, or incidental damages, so the above limitations and exclusions may not apply to you. This warranty gives you specific legal rights, and you may also have other rights which vary from state to state.

# IMPORTANT SAFETY INSTRUCTIONS

## **WARNING:**

**SAVE THESE INSTRUCTIONS.** To reduce the risks of fire or explosion, electric shock, and the injury to persons, read and understand all instructions included in this manual. Be familiar with the controls and the proper usage of the equipment.

## **READ ALL INSTRUCTIONS**

- **KNOW YOUR POWER TOOL.** Read the operator's manual carefully. Learn the machine's applications and limitations as well as the specific potential hazards related to this tool.

**WARNING:** To reduce the risk of fire or explosion:

- Do not spray flammable or combustible materials near an open flame or sources of ignition such as cigarettes, motors, and electrical equipment.
- For units intended for use with only water-based or mineral spirit-type materials with a minimum flash point of 60°C (140°F), do not spray or clean with liquids having a flash point less than 60°C (140°F).
- Paint or solvent flowing through the equipment is able to result in static electricity. Static electricity creates a risk of fire or explosion in the presence of paint or solvent fumes. All parts of the spray system, including the pump, hose assembly, pistol-grip sprayer, and objects in and around the spray area shall be properly grounded to protect against static discharge and sparks.
- Use only conductive or grounded high-pressure airless paint sprayer hoses specified by the manufacturer.
- Verify that all containers and collection systems are grounded to prevent static discharge.
- Connect to a grounded outlet and use grounded extension cords. Do not use a 3 to 2 adapter.
- Do not use a paint or a solvent containing halogenated hydrocarbons.
- Keep spray area well ventilated. Keep a good supply of fresh air moving through the area. Keep pump assembly in a well ventilated area.
- Do not smoke in the spray area.
- Do not operate light switches, engines, or similar spark producing products in the spray area.
- Keep area clean and free of paint or solvent containers, rags, and other flammable materials.
- Know the contents of the paints and solvents being sprayed. Read all Material Safety Data Sheets (MSDS) and container labels provided with the paints and solvents. Follow the paint and solvent manufacturer's safety instructions.
- Fire extinguisher equipment shall be present and working.

**WARNING:** To reduce the risk of skin injection:

- Do not aim the nozzle at, or spray any person or animal.
- Keep hands and other body parts away from the discharge. For example, do not try to stop leaks with any part of the body.
- Always use the nozzle tip guard. Do not spray without nozzle tip guard in place.
- Only use a spray tip specified by the manufacturer.
- Use caution when cleaning and changing spray tips. In the case where the spray tip clogs while spraying, follow the manufacturer's instructions for turning off the unit and relieving the pressure before removing the spray tip to clean.
- Do not leave the unit energized or under pressure while unattended. When the unit is not in use, turn off the unit and relieve the pressure in accordance with the manufacturer's instructions.
- High pressure spray is able to inject toxins into the body and cause serious bodily injury. In the event that injection occurs, seek medical attention immediately.
- Check hoses and parts for signs of damage. Replace any damaged hoses or parts.
- This system is capable of producing 2800 psi. Only use replacement parts or accessories that are specified by the manufacturer and are rated a minimum of 3000 psi.
- Always engage the trigger lock when not spraying. Verify the trigger lock is functioning properly.
- Verify that all connections are secure before operating the unit.
- Know how to stop the unit and bleed pressure quickly. Be thoroughly familiar with the controls.
- For household use only.

**WARNING:** To reduce the risk of injury:




- Always wear appropriate gloves, eye protection marked to comply with ANSI Z87.1, and a respirator or mask when painting.
- Do not operate or spray near children. Keep children away from equipment at all times.
- Do not overreach or stand on an unstable support. Keep effective footing and balance at all times.
- Stay alert and watch what you are doing.
- Do not operate the unit when fatigued or under the influence of drugs or alcohol.
- Do not kink or overbend the hose.
- Do not expose the hoses to temperatures or to pressures in excess of those specified by the manufacturer.
- Do not use the hose as a strength member to pull or lift the equipment.

# SPECIFIC SAFETY RULES






- **Keep guards in place and in working order.** Never operate the tool with any guard or cover removed. Make sure all guards are operating properly before each use.
- **To reduce the risk of injury,** keep children and visitors away. All visitors should wear safety glasses and be kept a safe distance from work area.
- **Keep the area of operation clear of all persons,** particularly small children, and pets.
- **Use right tool.** Don't force tool or attachment to do a job it was not designed for. Don't use it for a purpose not intended.
- **Do not operate the equipment while barefoot or when wearing sandals or similar lightweight footwear.** Wear protective footwear that will protect your feet and improve your footing on slippery surfaces.
- **Exercise caution to avoid slipping or falling.**
- **Always wear safety glasses with side shields.** Everyday eyeglasses have only impact-resistant lenses; they are **NOT** safety glasses.
- **Use only recommended accessories.** The use of improper accessories may cause risk of injury.
- **Follow the maintenance instructions specified in this manual.**
- **Check damaged parts.** Before further use of the tool, a guard or other part that is damaged should be carefully checked to determine that it will operate properly and perform its intended function. Check for alignment of moving parts, binding of moving parts, breakage of parts, mounting, and any other conditions that may affect its operation. A guard or other part that is damaged must be properly repaired or replaced by an authorized service center to avoid risk of personal injury.
- **Never leave tool running unattended.** Turn power off. Don't leave tool until it comes to a complete stop.
- Follow manufacturer's recommendations for safe loading, unloading, transport, and storage of machine.
- **Be thoroughly familiar with controls.** Know how to stop the product and bleed pressure quickly.
- **Keep tool dry, clean, and free from oil and grease.** Always use a clean cloth when cleaning. Never use brake fluids, gasoline, petroleum-based products, or any solvents to clean tool.
- **Do not use tool if switch does not turn it off.** Have defective switches replaced by an authorized service center.
- **Before cleaning, repairing, or inspecting,** shut off the motor and make certain all moving parts have stopped.
- **Avoid dangerous environment.** Don't use in damp or wet locations or expose to rain. Keep work area well lit.
- **Never direct a paint stream toward people or pets, or any electrical device.**
- **Never start the machine** if ice has formed in any part of the equipment.
- **WARNING: High pressure spray can be dangerous if subject to misuse.** The spray must not be directed at persons, animals, electrical devices, or the machine itself.
- **Keep away from hot parts.**
- **Check bolts and nuts** for looseness before each use. A loose bolt or nut may cause serious motor problems.
- **Before storing, allow the product to cool.**
- **Store in a cool, well-ventilated area,** safely away from spark and/or flame-producing equipment.
- **When servicing use only identical replacement parts.** Use of any other parts may create a hazard or cause product damage.
- **Never use the sprayer without a spray tip installed.**
- **An injection injury can lead to possible amputation.** See a physician immediately.
- **Never put your hand in front of the spray tip when in use.** Gloves will not always provide protection against an injection injury.
- **Wear protective clothing to keep paint off skin and hair, along with a mask or respirator during use.** Paints, solvents, and other materials can be harmful if inhaled or if they come into contact with the body.
- **Always unplug the paint station, shut the unit off and release pressure before servicing, cleaning the tip or guard, changing the tip, or leaving unattended.**
- **Plastic can cause sparks. Never hang plastic to enclose a spray area.** Do not use plastic drop cloths when spraying flammable materials.
- **Do not spray outdoors on windy days.**
- **Do not attempt to clean or unclog the spray tip with your finger.**
- **Make sure your extension cord is in good condition.** When using an extension cord, be sure to use one heavy enough to carry the current your product will draw. A wire gauge size (A.W.G.) of at least **14** is recommended for an extension cord 50 feet or less in length. A cord exceeding 100 feet is not recommended. If in doubt, use the next heavier gauge. The smaller the gauge number, the heavier the cord. An undersized cord will cause a drop in line voltage resulting in loss of power and overheating.
- **Save these instructions.** Refer to them frequently and use them to instruct other users. If you loan someone this tool, loan them these instructions also.

# SYMBOLS

The following signal words and meanings are intended to explain the levels of risk associated with this product.

SYMBOL	SIGNAL	MEANING
	<b>DANGER:</b>	Indicates an imminently hazardous situation, which, if not avoided, will result in death or serious injury.
	<b>WARNING:</b>	Indicates a potentially hazardous situation, which, if not avoided, could result in death or serious injury.
	<b>CAUTION:</b>	Indicates a potentially hazardous situation, which, if not avoided, may result in minor or moderate injury.
	<b>NOTICE:</b>	(Without Safety Alert Symbol) Indicates important information not related to an injury hazard, such as a situation that may result in property damage.

Some of the following symbols may be used on this product. Please study them and learn their meaning. Proper interpretation of these symbols will allow you to operate the product better and safer.

SYMBOL	NAME	DESIGNATION/EXPLANATION
	Safety Alert	Indicates a potential personal injury hazard.
	Read Operator's Manual	To reduce the risk of injury, user must read and understand operator's manual before using this product.
	Eye Protection	Always wear eye protection with side shields marked to comply with ANSI Z87.1.
	Risk of Injection	To reduce the risk of injection or injury, never direct a fluid stream towards people or pets or place any body part in the stream. Leaking hoses and fittings are also capable of causing injection injury. Do not hold hoses or fittings.
V	Volts	Voltage
PSI	Pounds Per Square Inch	Fluid Pressure
GPM	Gallons Per Minute	Amount fluid used per minute of continuous use.
A	Amperes	Current
Hz	Hertz	Frequency (cycles per second)
min	Minutes	Time
~	Alternating Current	Type of current
$n_0$	No Load Speed	Rotational speed, at no load
	Class II Tool	Double-insulated construction
.../min	Per Minute	Revolutions, strokes, surface speed, orbits etc., per minute

# ELECTRICAL

## EXTENSION CORDS

Use only 3-wire extension cords that have 3-prong grounding plugs and 3-pole receptacles that accept the product's plug. When using a power tool at a considerable distance from the power source, use an extension cord heavy enough to carry the current that the product will draw. An undersized extension cord will cause a drop in line voltage, resulting in a loss of power and causing the motor to overheat. Use the chart provided below to determine the minimum wire size required in an extension cord. Only round jacketed cords listed by Underwriter's Laboratories (UL) should be used.

\*\*Ampere rating (on product data plate)

0-2.0    2.1-3.4    3.5-5.0    5.1-7.0    7.1-12.0    12.1-16.0

Cord Length	Wire Size (A.W.G.)					
	0-2.0	2.1-3.4	3.5-5.0	5.1-7.0	7.1-12.0	12.1-16.0
25'	16	16	16	16	14	14
50'	16	16	16	14	14	12
100'	16	16	14	12	10	—

\*\*Used on 12 gauge - 20 amp circuit.

**NOTE:** AWG = American Wire Gauge

When working with the product outdoors, use an extension cord that is designed for outside use. This is indicated by the letters "W-A" or "W" on the cord's jacket.

Before using an extension cord, inspect it for loose or exposed wires and cut or worn insulation.

### **WARNING:**

Keep the extension cord clear of the working area. Position the cord so that it will not get caught on lumber, tools, or other obstructions while you are working with a power tool. Failure to do so can result in serious personal injury.

### **WARNING:**

Check extension cords before each use. If damaged replace immediately. Never use the product with a damaged cord since touching the damaged area could cause electrical shock resulting in serious injury.

## ELECTRICAL CONNECTION

This product is powered by a precision-built electric motor. It should be connected to a power supply that is **120V, AC only (normal household current), 60 Hz**. Do not operate this product on direct current (DC). A substantial voltage drop will cause a loss of power and the motor will overheat. If the product does not operate when plugged into an outlet, double check the power supply.

## GROUNDING INSTRUCTIONS

This product must be grounded. In the event of a malfunction or breakdown, grounding provides a path of least resistance for electric current to reduce the risk of electric shock. This product is equipped with an electric cord having an equipment-grounding conductor and a grounding plug. The plug must be plugged into a matching outlet that is properly installed and grounded in accordance with all local codes and ordinances.

Do not modify the plug provided. If it will not fit the outlet, have the proper outlet installed by a qualified electrician.

### **WARNING:**

Improper connection of the grounding plug can result in a risk of electric shock. When repair or replacement of the cord is required, do not connect the grounding wire to either flat blade terminal. The wire with insulation having an outer surface that is green with or without yellow stripes is the grounding wire.

Check with a qualified electrician or service personnel if the grounding instructions are not completely understood, or if in doubt as to whether the product is properly grounded.

Repair or replace a damaged or worn cord immediately.

This product is for use on a nominal 120 V circuit and has a grounding plug similar to the plug illustrated in figure 1. Only connect the product to an outlet having the same configuration as the plug. Do not use an adapter with this product.

# FEATURES

## PRODUCT SPECIFICATIONS

Flow Rate .....	0.24 GPM
Pressure .....	800 - 2800 PSI
Input .....	120 V, 60 Hz, AC only, 7.0 Amp

## KNOW YOUR PAINT STATION

See Figure 2, page 16.

The safe use of this product requires an understanding of the information on the product and in this operator's manual as well as a knowledge of the project you are attempting. Before use of this product, familiarize yourself with all operating features and safety rules.

### 25 FT. HIGH PRESSURE HOSE

Paint station includes a 25 ft. high pressure hose to reach longer distances with the pistol-grip sprayer or roller without having to move the paint station.

### 2800 PSI PISTON PUMP

Maintains pressure as needed for spraying and rolling.

### MANUAL VALVE RELEASE

Dried paint or other debris can clog the check valve and prevent the unit from priming correctly. Pressing the Manual Valve Release button before each start keeps paint flowing cleanly through the check valve and allows quick and easy start-up of the unit.

## ON-BOARD ACCESSORY STORAGE

Paint station includes on-board accessory storage for convenient access to pistol-grip sprayer, spray tips, hose adapter and high pressure hose.

### PAINT ROLLER

The paint roller accepts any 9 in. standard rollers up to 3/4 in. nap size.

### PISTOL-GRIP SPRAYER

The pistol-grip sprayer provides a smooth finish.

### REVERSIBLE SPRAY TIP

The unit includes a reversible sprays tip that will work for a wide variety of projects and prevents paint from clogging.

### HIGH/LOW PRESSURE DIAL

Variable pressure control to easily match pressure with the material being applied.

- Lower pressure is for priming, cleaning and for thinner materials or rolling applications.
- Higher pressure is ideal for latex and spraying applications.

# ASSEMBLY

## UNPACKING

This product requires assembly.

- Carefully lift the product from the carton and place on a level work surface.

### WARNING:

Do not use this product if any parts on the Loose Parts List are already assembled to your product when you unpack it. Parts on this list are not assembled to the product by the manufacturer and require customer installation. Use of a product that may have been improperly assembled could result in serious personal injury.

- Inspect the tool carefully to make sure no breakage or damage occurred during shipping.
- Do not discard the packing material until you have carefully inspected and satisfactorily operated the tool.
- If any parts are damaged or missing, please call 1-800-525-2579 for assistance.

## LOOSE PARTS LIST

See figure 3, page 16.

Description	Qty.
Paint station tool with paint container lid .....	1
Pistol-grip sprayer with nozzle tip guard.....	1
Roller head .....	1
Roller handle .....	1
9 in. roller.....	1
Roller cap .....	2
Wheel .....	2
Axle.....	2
Hitch pin .....	2
25 ft. grounded high pressure hose .....	1
515 Reversible spray tip.....	1
Garden hose attachment.....	1
Operator's manual (not shown).....	1

# ASSEMBLY

## WARNING:

If any parts are damaged or missing do not operate this tool until the parts are replaced. Failure to heed this warning could result in serious personal injury.

## WARNING:

Do not attempt to modify this tool or create accessories not recommended for use with this tool. Any such alteration or modification is misuse and could result in a hazardous condition leading to possible serious personal injury.

## WARNING:

Do not connect to power supply until assembly is complete. Failure to comply could result in accidental starting and possible serious personal injury.

## TOOLS NEEDED

Adjustable wrench (2), 2 mm hex key

## INSTALLING THE WHEELS

See Figure 4, page 17.

To attach the wheels to the base:

- Locate the axle assembly.
- Slip the axle into the wheel hole.
- Lifting the paint station slightly, slide the axle, wheel, and small washer into the wheel mounting hole in the machine base.
- Push the hitch pin into the hole on the end of the axle to secure assembly.
- Repeat with the second wheel.

## FOLDING THE HANDLE

See Figures 5, page 17.

- **To raise the handle:** Pull the handle up and turn the knob clockwise to tighten.
- **To lower the handle (for storing):** Turn the handle release knob counterclockwise to loosen the handle and fold it down.

## WARNING:

Never use the handle to lift the paint sprayer. Failure to heed this warning could result in serious personal injury.

## CONNECTING HIGH PRESSURE HOSE/PISTOL-GRIP SPRAYER

See Figure 6, page 17.

**To connect the high pressure hose to the paint station:**

- Screw the collar on the high pressure hose onto the spray hose outlet located on the pump.
- Tighten securely with an adjustable wrench.

**To connect the pistol-grip sprayer to the high pressure hose:**

- Screw the collar on the high pressure hose onto the pistol-grip sprayer by turning the hose collar clockwise.
- Use an adjustable wrench to hold the nut on the pistol-grip sprayer and another to turn and tighten the nut on hose end and tighten securely.

## INSTALLING REVERSIBLE SPRAY TIP AND NOZZLE TIP GUARD ON PISTOL-GRIP SPRAYER

See Figure 7, page 17.

See operator's instructions for flushing, priming and cleaning **before** installing nozzle tip guard and spray tip. Note all warnings regarding use of pistol-grip sprayer and the possibility of injection.

- Turn lock-off thumbscrew counterclockwise to lock sprayer trigger.
- Install nozzle seat and cap into nozzle tip guard.
- Thread nozzle tip guard assembly onto sprayer and tighten securely.
- Select spray tip and push securely into nozzle tip guard.
- Keep pistol-grip sprayer trigger locked when not in use.

## INSTALLING PAINT ROLLER

See Figure 8, page 17.

- Place roller caps in each end of the paint roller.
- Align pins in the end of each roller cap to the holes inside the roller head. Push out on the side of the roller head until the roller snaps into place.



# OPERATION

## **WARNING:**

Do not allow familiarity with this product to make you careless. Remember that a careless fraction of a second is sufficient to inflict serious injury.

## **WARNING:**

Always wear eye protection marked to comply with ANSI Z87.1. Failure to do so could result in objects being thrown into your eyes resulting in possible serious injury.

## **WARNING:**

Do not use any attachments or accessories not recommended by the manufacturer of this product. The use of attachments or accessories not recommended can result in serious personal injury.

## ACCESSORIES

All accessories used with this product must be rated greater than 3000 psi. Ensure compatibility and fit before using any accessory with this product.

## **WARNING:**

Risk of fire or explosion - spray area must be well ventilated and away from spark or flames. Failure to heed this warning could result in serious personal injury.

## APPLICATIONS

You may use this product for the purposes listed below:

- Exterior painting and staining of decks, outdoor furniture, fences, and interior/exterior rolling of walls.

## **WARNING:**

To reduce the risk of injection NEVER change spray tip without locking the lock-out thumbscrew on the sprayer and NEVER point sprayer at any part of the body, persons, or unit itself. In case of skin injection, seek medical attention immediately. Failure to heed this may cause serious personal injury.

## LOCKING THE PISTOL-GRIP SPRAYER

See Figure 9, page 17.

Always lock the pistol-grip sprayer trigger when you have stopped spraying to prevent the sprayer from being bumped or triggered accidentally and causing injection.

- Turn lock-off thumbscrew counterclockwise to lock sprayer trigger.
- Turn lock-off thumbscrew clockwise to unlock sprayer trigger.

## RELEASE PRESSURE PROCEDURE

Always follow this procedure when shutting paint station OFF for any reason. This procedure releases pressure in the high pressure hose.

- On pistol-grip sprayer, turn lock-off thumbscrew counterclockwise to lock sprayer trigger.
- Turn ON/OFF switch OFF.
- Turn prime/spray lever to PRIME, as shown in figure 10. This releases pump pressure.
- Unlock sprayer trigger and point to inside wall of paint container releasing unused paint or stain back into container. This releases pressure in the hose and pistol-grip sprayer.
- Turn lock-off thumbscrew counterclockwise to lock sprayer trigger.
- Leave prime/spray lever in the PRIME position until ready to spray again.

## FLUSHING THE PAINT STATION

Before using your new paint station or before beginning a new project or changing colors, it is important to thoroughly flush the paint station of any storage fluid, previous cleaning fluid, or material left in the system. Follow instructions for **Cleaning the Paint Station** before beginning any project.

## SET UP AND PRIMING

See Figure 10-12, pages 17-18.

User must prime the pump and sprayer before beginning any spraying or rolling.

The paint sprayer is designed to hold different container sizes. You may use a 5 gallon, 2 gallon, 1 gallon, or 1 gallon square container.

Fill paint container with desired paint or stain. Place lid on container.

- Remove nozzle tip guard and spray tip from pistol-grip sprayer.
- Place intake tube in paint container.
- Set return tube over waste container to flush out waste material.
- Turn prime/spray lever to PRIME.
- Turn HIGH/LOW pressure control to LOW pressure.
- Plug in the paint station.
- Press and release the Manual Valve Release button to make sure the check valve is clear.
- Turn ON/OFF switch ON.
- When material begins to flow through return tube set return tube into paint container and clip to intake tube.
- Point pistol-grip sprayer (without guard and spray tip in place) into waste container.
- Turn prime/spray lever to SPRAY.
- Unlock sprayer trigger.

# OPERATION

- Turn HIGH/LOW pressure control from LOW to HIGH until pump starts.
- Spray into waste container until all air, water, cleaning fluid is expelled and only paint comes out.  
**NOTE:** When the motor stops, this indicates that the pump and hoses are under pressure. If the motor continues to run, re-prime by turning the prime/spray lever to PRIME.
- Turn lock-off thumbscrew counterclockwise to lock sprayer trigger.
- Turn ON/OFF switch OFF.
- Replace nozzle tip guard and reversible spray tip onto pistol-grip sprayer.
- Unit is ready to spray.

## SELECTING A SPRAY TIP

See Figure 13, page 18.

Spray tips come in a variety of hole sizes and fan widths. Your unit includes a reversible spray tip with a hole size of .015 in. that will work for a wide variety of applications. The 515 spray tip has a fan width of 10-12 in.

**HOLE SIZE:** Spray tip hole size determines the flow rate, that is the amount of paint that is discharged from sprayer. A larger hole size is best for thicker materials. A smaller hole size is best for thinner materials.

**FAN SIZE:** Fan width determines the size of the spray pattern when sprayer is held approximately 12 in. from surface to be painted.

A narrow fan width will provide thicker coverage of material and is better suited for small, tight areas.

A wide fan width will give thinner coverage of material and provide better coverage on large, broad areas.

**SPRAY TIP NUMBERS:** When selecting a spray tip, the last three numbers of the spray tip number contains information on hole size and fan width.

For example if the spray tip number is 515, the 5, when doubled, is the approximate fan width of paint when applied 12 inches from surface. The last two numbers, 15, refer to the hole size in inches. In this case .015 in.

Tip hole size	Coatings				
	Light		Medium		Heavy
	Stains	Enamels	Primers	Interior Paints	Exterior Paints
0.011	•				
0.013	•	•			
0.015		•	•	•	
0.017			•	•	•
0.019			•	•	•
0.021					•

**SPRAY TIP WEAR:** It is important to replace or spray tips when they become worn. A worn spray tip will cause uneven application and finish of material. Over time the spray tip hole size increases and the width of the fan spray decreases.

When using latex paint, spray tips need to be replaced between 15 and 40 gallons. For oil based materials, replace spray tips after 35 to 60 gallons of use.

To increase the life of your spray tips, use the lowest pressure setting needed to apply an even coating of material.

## WARNING:

This is a high pressure device. To reduce the risk of injury, user must read and understand operator's manual. To reduce the risk of injection do not point sprayer at any part of the body, persons, or unit itself. In case of skin injection, seek medical attention immediately. Failure to heed this may cause serious personal injury.

## SPRAYING

See Figure 14, page 18.

- Ensure surface to be painted is free of dust, dirt, and grease.
- Mask or cover any areas not intended to be painted or stained. Be aware of wind that may cause your paint or stain to spray into areas not desired. Always use drop cloths or other cover to protect areas that are not intended to be painted or stained.
- Select spray tip and seat securely into nozzle tip guard. Arrow on spray tip should face direction of spray.
- Plug in the paint station.
- Prime unit. Follow **Set Up and Priming** instructions.
- Turn ON/OFF switch ON.
- Turn prime/spray lever to SPRAY.
- Turn HIGH/LOW pressure control clockwise to SPRAY icon (HIGH pressure). Pressure can be adjusted to reach desired spray pattern and coverage.
- Unlock pistol-grip sprayer trigger. Begin spraying.

**NOTE:** If spray tip becomes clogged, turn 180° and spray into waste container to clear clog. Return spray tip to spray position and continue spraying.

- Lock pistol-grip sprayer trigger and follow **release pressure procedure** when finished or stopping for any reason.

## PAINTING TIPS

See Figures 15-16, page 18.

- Practice spraying on a piece of scrap material to test your spray pattern before beginning. If you cannot get a good spray pattern see **Troubleshooting** section.
- To create an even coating over the entire surface:
  - Keep the sprayer an even distance from the area being sprayed, about 12 inches from the spray tip of the sprayer to the surface being sprayed.
  - Operate the sprayer in straight horizontal strokes. Do not hold the sprayer at an angle. This will result in uneven coverage.

# OPERATION

- Depress the trigger to start the spray at the beginning of the stroke and release the trigger as you end the stroke. To prevent material build-up, do not keep the trigger depressed as you proceed to the next stroke.
- Make one pass for each stroke. Overlap strokes in halves for full coverage.
- When finished, return any unused paint or stain to its original container and thoroughly clean the sprayer.

## PAINTING WITH THE ROLLER ATTACHMENT

See Figures 17 - 18, pages 18 - 19.

**NOTE:** The pistol-grip sprayer is used to control the flow of paint into the roller attachment. Pull the trigger only when more paint is needed on the roller.

- Turn lock-off thumbscrew counterclockwise to lock pistol-grip sprayer trigger.
- Turn off paint station and release pressure from spraying.
- Assemble the 9 in. roller into the roller head according to the **Installing Paint Roller** section of this manual.
- Remove nozzle tip guard and spray tip from pistol-grip sprayer.
- Thread roller handle onto sprayer (make sure rubber washer is in the roller handle before assembling).
- Tighten securely with an adjustable wrench.
- Snap roller head onto roller handle (make sure latches are completely engaged).
- Turn ON/OFF switch ON.
- Turn HIGH/LOW pressure control to ROLLING icon (LOW pressure).
- Turn prime/spray lever to SPRAY.
- Squeeze the trigger. Once the roller has paint, release the trigger and squeeze again only when more paint is needed.

**NOTE:** Do not continuously squeeze the trigger. For best results, after every third stroke, pull trigger for 1 second, release, then continue to paint.

- Grasp the roller handle grip with one hand while holding the trigger handle with the other hand. Do not force the roller against the surface you are painting.
- To create an even coating over the entire surface:
  - Apply paint or stain in an area several feet wide in a zig-zag direction.
  - Roll back and forth repeatedly over the same area until the entire area is covered and the roller marks are smoothed out.
  - If additional coats are necessary, let paint or stain dry completely between coats.
- When finished, lock pistol-grip sprayer trigger and follow **Release Pressure Procedure**.
- Unplug the paint station.

## WARNING:

To reduce the risk of fire or explosion: Do not use with flammable liquids (i.e., paint stripper, paint remover, brush cleaner, mineral spirits, lacquer thinner, turpentine, acetone, gasoline, kerosene, etc.). Use only water (for water based paints) or Klean Strip® Green Safer Paint Thinner (for oil-based paints or varnish).

## OVERNIGHT STORAGE (UP TO 12 HOURS)

**NOTE:** These instructions are for latex paint and water based materials only. If you are using oil-based material, refer to **Cleaning the Paint Station** and **Long Term Storage** for instructions. Stains and oil based materials do not keep for any extended period of time.

- Lock pistol-grip sprayer and follow **Release Pressure Procedure**.
- Turn ON/OFF switch OFF.
- Unplug the paint station.
- Close lid on paint container. Wrap damp cloth around tubes. Wrap tubes with plastic to seal out air.
- Wrap pistol-grip sprayer with damp cloth and place in plastic bag. Seal bag.
- Store for short time out of sunlight. For longer storage, follow instructions for **Cleaning the Paint Station**.

## CLEANING THE PAINT STATION

See Figures 19 - 20, page 19.

The solution used to clean the sprayer is determined by the type of material that has been sprayed. For anything other than latex material use Klean Strip® Green Safer Paint Thinner (for oil-based paints or varnish).

## NOTICE:

It is important to thoroughly clean paint station and pistol-grip sprayer after each use or when changing paint color. Allowing paint or stain to remain in an idle tool for an extended period of time can cause its hoses to clog and its moving parts to seize.

- Always use drop cloths or other cover to protect areas from possible spills.
- Lock pistol-grip sprayer and follow **Release Pressure Procedure**.
- Unplug the paint station.
- Remove the spray tip and nozzle tip guard from sprayer.
- Use spray tip cleaning brush to clean material from spray tip holes.

# OPERATION

- Soak spray tip(s) and nozzle tip guard in water (for water based paints) or Klean Strip® Green Safer Paint Thinner (for oil-based paints or varnish), rinse.
- Return any unused paint or stain to its original container. If using paint station container, rinse clean with water (for water based paints) or Klean Strip® Green Safer Paint Thinner (for oil-based paints or varnish). Empty into waste container.
- Remove filter from intake tube, soak in cleaning fluid and rinse.
- Fill paint station container with water (for water based paints) or Klean Strip® Green Safer Paint Thinner (for oil-based paints or varnish).

**NOTE:** If flushing or cleaning using water for water based materials, It may be easier to use a garden hose and the garden hose attachment (included). Remove filter from intake tube (1) and attach intake tube to garden hose with attachment. (2)

- Place intake tube to paint station container.
- Place return tube in original paint container.
- Place original paint container right next to waste container.
- Turn prime/spray lever to PRIME.
- Turn HIGH/LOW pressure control counterclockwise to LOW pressure.
- Turn ON/OFF switch ON.

The paint station will draw cleaning fluid up the intake tube through the pump and out the return tube into the paint container. Move the return tube from the paint container to the waste container as soon as the cleaning fluid starts to come out of the return tube.

- Turn prime/spray lever to SPRAY.
- Unlock pistol-grip sprayer.
- Point pistol-grip sprayer at the interior side of original paint container to run out paint in system so as not to waste paint.
- Move the pistol-grip sprayer from the paint container to the waste container as soon as the cleaning fluid starts to come out sprayer.
- Let fluid run through system for at least 1 minute (until clean fluid is noticed).

**NOTE:** If using the garden hose adapter, turn on garden hose and run water through system until water runs clear.

- Leave system running for approximately one minute or until cleaning fluid runs clear.
- Turn prime/spray lever to PRIME.

- Turn ON/OFF switch OFF.
- Unplug the paint station.
- Dispose of dirty water (or Klean Strip® Green Safer Paint Thinner) in accordance with federal, state, and local ordinances.

## TO CLEAN THE PAINT ROLLER:

- Always use drop cloths or other cover to protect areas from possible spills.
- Disconnect the roller head from the roller handle and pour the remaining paint or stain from the roller head and roller handle into the original container.
- Thoroughly clean the roller and accessories by soaking and rinsing in water (for water based paints) or Klean Strip® Green Safer Paint Thinner (for oil-based paints or varnish).

## CLEANING THE PISTOL-GRIP SPRAYER FILTER

See Figure 21, page 19.

- Shut down the paint station using **Release Pressure Procedure**.
- Unplug the paint station.
- Check that pistol-grip sprayer trigger is locked off.
- Remove pistol-grip sprayer from the high pressure hose using two adjustable wrenches.
- Unscrew hex socket screw and lock nut to release trigger guard from plate on the base of sprayer.
- Using wrench, turn handle counterclockwise to remove.
- Remove filter from handle, noting direction of filter.
- Thoroughly clean filter container with water (for water based paints) or Klean Strip® Green Safer Paint Thinner (for oil-based paints or varnish).
- If filter has any holes, replace with new filter. NEVER puncture filter with any object.
- Replace filter in handle, tapered end down facing back of sprayer. Sprayer will not work if filter is improperly inserted in handle.
- Reassemble pistol-grip sprayer in reverse order, tighten securely.

# MAINTENANCE

## **WARNING:**

When servicing, use only identical replacement parts. Use of any other parts may create a hazard or cause product damage.

## **WARNING:**

Always wear eye protection with side shields marked to comply with ANSI Z87.1. Failure to do so could result in fluids entering your eyes resulting in possible serious injury.

## MAINTENANCE PROCEDURES

Avoid using solvents when cleaning plastic parts. Most plastics are susceptible to damage from various types of commercial solvents and may be damaged by their use. Use clean cloths to remove dirt, dust, oil, grease, etc.

## **WARNING:**

Do not at any time let brake fluids, gasoline, petroleum based products, penetrating oils, etc., come in contact with plastic parts. Chemicals can damage, weaken, or destroy plastic which may result in serious personal injury.

## LONG-TERM STORAGE

*See Figure 22, page 19.*

When storing the paint station for 16 hours or more, a thorough cleaning is recommended.

- Shutdown paint station.
- Thoroughly clean paint station and sprayer according to instructions.
- Be sure that machine and tubes are clear any water or fluid as these may freeze.
- Coil 25 ft. high pressure hose and store on back of tool with hook and loop straps.
- Keep intake tube and prime tube in paint container. Store filter and sprayer in plastic bag and seal.
- Fold handle over front of tool.

# TROUBLESHOOTING

PROBLEM	CAUSE	POSSIBLE SOLUTION
Motor does not run.	Paint station is not plugged in On/Off switch in OFF position Paint station has shut off while under pressure No current coming from outlet Extension cord is damaged or has low voltage A fuse has blown on paint station Motor is not working properly	Make sure unit is plugged in Turn On/Off switch to ON Turn the high/low pressure knob to maximum pressure or release pressure by turning Prime/Spray lever to Prime Test the power supply voltage Replace extension cord Contact Authorized Service center Contact Authorized Service Center
Pressure setting is too low	HIGH/LOW pressure control set too high.	Turn HIGH/LOW pressure control clockwise
Pump does not prime	Prime/Spray valve is in Spray position Inlet screen is clogged or intake tube is not immersed Inlet valve check ball is stuck Intake tube is loose	Turn Prime/Spray lever to Prime Clean debris off inlet screen and make sure intake tube is at bottom of paint bucket Press Manual Valve Release Button Remove intake tube and place a pencil into the inlet section to dislodge the ball, allowing pump to prime properly. Tighten intake tube with flat-head screwdriver
Paint station starts but does not circulate paint when Prime/Spray lever is turned to Prime	Paint container is empty or intake tube is not fully submerged in fluid Suction filter is clogged Prime/Spray valve is clogged	Fill paint container with material and submerge intake tube into material Clean suction filter Contact Authorized Service Center
Motor seems to be running properly but pressure drops when pistol-grip is triggered	Reversible spray tip is worn Spray tip is clogged Suction tube and filter are loose or damaged Pistol-grip sprayer filter is clogged Material being sprayed is too thick Inlet valve is damaged or worn Intake tube is loose	Replace spray tip Turn spray tip 180° and spray to clean Reinstall or replace suction tube and filter as needed Clean or replace pistol-grip sprayer filter Follow material manufacturer's directions and thin material as needed Replace inlet valve Tighten intake tube
Prime/spray lever is set to spray but there is flow through the prime tube	Prime/spray lever is dirty or damaged	Contact Authorized Service Center
Pistol-grip sprayer leaks	Internal sprayer parts are worn or damaged	Contact Authorized Service Center

# TROUBLESHOOTING

PROBLEM	CAUSE	POSSIBLE SOLUTION
Nozzle tip guard leaks	Nozzle tip guard or spray tip where assembled improperly	Reassemble according to nozzle tip guard and Spray tip assembly instructions.
Pistol-grip sprayer will not spray	Spray tip is clogged Pistol-grip sprayer filter is clogged Spray tip is not fully seated into nozzle tip guard	Turn spray tip 180° and spray to clean Clean or replace pistol-grip sprayer filter Reassemble according to nozzle tip guard and Spray tip assembly instructions.
Paint pattern is weak or uneven	Pressure is set to low Pistol-grip sprayer or intake tube filter is clogged Intake tube is loose at inlet valve Spray tip is worn Material being sprayed is too thick Loss of pressure	Turn High-low pressure knob clockwise to increase pressure Clean or replace filters Tighten tube fitting Replace spray tip Follow material manufacturer's directions and thin material as needed See Cause/Possible solutions for " <b>Pressure setting is too low,</b> " and " <b>Motor seems to be running properly but pressure drops when pistol-grip is triggered</b> "

**NOTE: FIGURES (ILLUSTRATIONS) START ON PAGE 16 AFTER SPANISH LANGUAGE SECTION.**

# TABLE DES MATIÈRES

■ Introduction .....	2
■ Garantie .....	2
■ Instructions importantes concernant la sécurité .....	3
■ Règles de sécurité particulières .....	4
■ Symboles .....	5
■ Caractéristiques électriques .....	6
■ Caractéristiques .....	7
■ Assemblage .....	7-8
■ Utilisation .....	9-12
■ Entretien .....	13
■ Dépannage .....	14-15
■ Figure numéros (illustrations).....	16-19
■ Commande de pièces / réparation.....	Page arrière

## INTRODUCTION

Ce produit offre de nombreuses fonctions destinées à rendre son utilisation plus plaisante et satisfaisante. Lors de la conception de ce produit, l'accent a été mis sur la sécurité, les performances et la fiabilité, afin d'en faire un outil facile à utiliser et à entretenir.

## GARANTIE

### OUTILS ÉLECTRIQUES RYOBI® – GARANTIE LIMITÉE DE DEUX ANS ET POLITIQUE D'ÉCHANGE DE 90 JOURS

One World Technologies, Inc., garantit ses outils électriques dans les conditions suivantes :

**POLITIQUE D'ÉCHANGE DE 90 JOURS :** En cas de défaillance due à des vices de matériaux ou de fabrication au cours des 90 jours suivant la date d'achat, l'acheteur pourra faire réparer tout outil électrique RYOBI® au titre de cette garantie ou le retourner l'établissement où il a été acheté. Pour obtenir un outil en échange ou demander la réparation en garantie, l'équipement complet devra être retourné, dans son emballage d'origine, accompagné d'une preuve d'achat. L'outil fourni en échange sera couvert par la garantie limitée pour le restant de la période de validité de deux ans à compter de la date d'achat.

**CE QUI EST COUVERT PAR LA GARANTIE :** Cette garantie couvre tous les vices de matériaux et de fabrication de cet outil électrique RYOBI®, pour une période de deux ans, à compter de la date d'achat. À l'exception des batteries, les accessoires sont garantis pour une période de quatre-vingt-dix (90) jours. Les piles sont garanties deux ans.

**RÉPARATIONS SOUS GARANTIE :** Il suffit de retourner l'outil, correctement emballé, en port payé, à un centre de réparations agréé. L'adresse du centre de réparations agréé le plus proche peut être obtenue en contactant un représentant du service après-vente par courrier, à l'adresse One World Technologies, Inc., P.O. Box 1207, Anderson, SC 29622-1207, par téléphone au 1-800-525-2579 ou par courriel, à l'adresse Internet [www.ryobitools.com](http://www.ryobitools.com). Lors de toute demande de réparation sous garantie, une preuve d'achat datée (par exemple un reçu de vente) doit être fournie. Nous nous engageons à réparer tous les défauts de fabrication et à réparer ou remplacer, à notre choix, toutes les pièces défectueuses. Les réparations et remplacements seront gratuits. Les réparations sous garantie seront effectuées dans un délai raisonnable, ne dépassant en aucun cas quatre-vingt-dix (90) jours.

**CE QUI N'EST PAS COUVERT :** La garantie ne couvre que l'acheteur au détail original et n'est pas transférable. Cette garantie ne couvre que les défauts résultant d'une utilisation normale. Elle ne couvre pas les problèmes de fonctionnement, défaillances ou autres défauts résultant d'un usage incorrect ou abusif, de la négligence, de la modification, de l'altération ou de réparations effectuées par quiconque autre qu'un centre de réparations agréé. One World Technologies, Inc. ne fait aucune autre garantie, représentation ou promesse concernant la qualité et les performances de cet outil électrique, autres que celles expressément indiquées dans le présent document.

**AUTRES LIMITATIONS :** Toutes les garanties implicites accordées par les lois en vigueur, y compris les garanties de valeur marchande ou d'adéquation à un usage particulier, sont limitées à une durée de deux ans, à compter de la date d'achat. One World Technologies, Inc. déclinant toute responsabilité pour les dommages directs ou indirects, les limitations et exclusions peuvent ne pas s'appliquer à chaque acheteur. Cette garantie donne au consommateur des droits spécifiques, et celui-ci peut bénéficier d'autres droits, qui varient selon les états ou provinces.



# INSTRUCTIONS IMPORTANTES CONCERNANT LA SÉCURITÉ

## **AVERTISSEMENT :**

**CONSERVER CES INSTRUCTIONS.** Pour réduire les risques d'incendie ou d'explosion, choc électrique, et la blessure aux personnes lire et veiller à bien comprendre toutes instructions incluses le manuel. Familiarisez-vous avec toutes les commandes et l'utilisation correcte de l'équipement.

## **LIRE TOUTES LES INSTRUCTIONS**

- **APPRENDRE À CONNAÎTRE L'OUTIL.** Lire attentivement le manuel d'utilisation. Apprendre les applications et les limites de l'outil, ainsi que les risques spécifiques relatifs à son utilisation.

**AVERTISSEMENT :** Pour réduire les risques d'incendie ou d'explosion :

- Ne pas pulvériser de substances inflammables ou combustibles à proximité des flammes vives ou des sources d'inflammation comme les cigarettes, les moteurs et l'équipement électrique.
- Dans le cas des unités uniquement compatibles avec des substances à base d'eau ou avec des essences minérale ayant un point d'éclair de 60 °C (140 °F), ne pulvériser aucun liquide ayant un point d'éclair inférieur à 60 °C (140 °F) et n'effectuer aucune opération de nettoyage avec ce type de liquide.
- La peinture ou le solvant qui circule dans l'équipement peut créer de l'électricité statique. L'électricité statique crée un risque d'incendie ou d'explosion en présence de vapeurs de peinture ou de solvant. Toutes les pièces du système de pulvérisation, y compris la pompe, le tuyau, le pulvérisateur ainsi que les objets se trouvant dans la zone de pulvérisation ou autour de celle-ci, doivent être correctement mises à la terre afin d'assurer une protection contre les décharges statiques et les étincelles.
- Utiliser uniquement les tuyaux flexibles haute pression conducteurs ou mis à la terre pour pulvérisateur de peinture sans air recommandés par le fabricant
- S'assurer que tous les contenants et les systèmes de captage sont mis à la terre afin d'empêcher les décharges statiques.
- Brancher l'outil dans une prise de courant mise à la terre et utiliser des cordons prolongateurs avec mise à la terre. Ne pas utiliser un adaptateur 3 voies vers 2 voies.
- Ne pas utiliser une peinture ou un solvant qui contient des hydrocarbures halogénés.
- L'aire de pulvérisation doit être bien ventilée. S'assurer que le lieu de travail comprend une bonne alimentation en air frais. Garder l'ensemble de pompe dans un endroit bien ventilé. Ne pas pulvériser la pompe elle-même.
- Ne pas fumer à proximité du l'aire de pulvérisation.
- Ne pas faire fonctionner les interrupteurs d'éclairage, les moteurs ou d'autres dispositifs produisant des étincelles à proximité du l'aire de pulvérisation.
- Garder le lieu de travail propre et exempt de contenants de peinture ou de solvant, de chiffons et d'autres matériaux inflammables.
- Bien connaître le contenu des peintures et des solvants qui sont pulvérisés. Lire toutes les fiches signalétiques et les étiquettes du contenant fournies avec les peintures et les solvants. Suivre les instructions de sécurité du fabricant concernant les peintures et les solvants.

- On doit retrouver un extincteur sur le lieu de travail et celui-ci doit fonctionner.

**AVERTISSEMENT :** Pour réduire les risques d'injection:

- Ne pas orienter la buse ou pulvériser en direction des personnes ou des animaux.
- Garder les mains et les autres parties du corps à l'écart de la décharge. Par exemple, ne pas tenter de bloquer une fuite avec une partie du corps.
- Toujours utiliser le protecteur d'embout. Ne pas utiliser l'outil si le protecteur d'embout n'est pas en place.
- Utiliser seulement un embout de pulvérisation recommandé par le fabricant.
- Faire preuve de prudence au moment de nettoyer et de changer preuve les embouts de pulvérisation. Si l'embout de pulvérisation s'encrasse pendant l'opération, suivre les instructions du fabricant pour éteindre l'unité et relâcher la pression avant de retirer l'embout pour le nettoyer.
- Ne pas laisser l'unité sans surveillance lorsque celle-ci est en marche ou sous pression. Lorsque l'unité n'est pas utilisée, l'éteindre et relâcher la pression conformément aux instructions du fabricant.
- Le pulvérisateur haute pression peut injecter des substances toxiques dans le corps et entraîner des blessures graves. Au cas où ce genre d'injection surviendrait, consulter immédiatement un médecin.
- Vérifier les tuyaux flexibles et les pièces afin de s'assurer qu'ils ne sont pas endommagés. Remplacer tout tuyau flexible endommagé ou toute pièce endommagée.
- Ce système peut produire une pression de 17 236,89 kPa (2 800 psi). Utiliser uniquement des pièces de remplacement ou des accessoires recommandés par le fabricant et qui tolèrent une pression nominale de 17236,89 kPa (3 000 psi).
- Toujours enclencher le verrou de la gâchette lorsqu'aucune opération de pulvérisation n'est requise. S'assurer que le verrou de la gâchette fonctionne correctement.
- S'assurer que tous les raccords sont solides avant d'utiliser cette unité.
- Savoir comment arrêter rapidement l'unité. Se familiariser avec toutes les commandes.
- Pour l'usage de ménage seulement.

**AVERTISSEMENT :** Pour réduire les risques de blessure :




- Toujours porter une protection oculaire certifiée conforme à la norme ANSI Z87.1, ainsi qu'un appareil respiratoire ou un masque approprié au moment de peindre.
- Ne pas utiliser ou pulvériser le produit à proximité des enfants. Garder les enfants à l'écart de l'équipement en tout temps.
- Ne pas travailler hors de portée ou se tenir sur un support instable. Se tenir bien campé et en équilibre en tout temps.
- Rester attentif et prêter attention au travail.
- Ne pas utiliser cet appareil en cas de fatigue ou sous l'influence de l'alcool ou de drogues.
- Ne pas entortiller ou courber excessivement le tuyau flexible.
- Ne pas exposer le tuyau flexible à des températures ou à des pressions qui dépassent celles recommandées par le fabricant.
- Ne pas utiliser le tuyau flexible comme élément de renforcement pour tirer ou soulever l'équipement.

# RÈGLES DE SÉCURITÉ PARTICULIÈRES






- **Maintenir tous les dispositifs de protection en place** et en bon état de fonctionnement. Ne jamais utiliser l'outil avec des couvercles ou dispositifs de protection retirés. S'assurer que tous les dispositifs de protection fonctionnent correctement avant chaque utilisation.
- **Pour réduire les risques de blessures**, garder les enfants et visiteurs à l'écart. Tous les visiteurs doivent porter des lunettes de sécurité et se tenir à bonne distance de la zone de travail.
- **Ne laisser personne approcher la zone de travail**, particulièrement les petits enfants et les animaux domestiques.
- **Utiliser l'outil approprié.** Ne pas utiliser l'outil ou un accessoire pour effectuer un travail pour lequel il n'est pas conçu. Ne pas utiliser l'outil pour une application non prévue.
- **Ne pas faire fonctionner l'équipement pied-nu ou en portant des sandales ou des chaussures légères similaires.** Porter des chaussures de sécurité protégeant les pieds et améliorant l'équilibre sur des surfaces glissantes.
- **Faire preuve de prudence pour éviter de glisser ou tomber.**
- **Toujours porter des lunettes de sécurité avec écrans latéraux.** Les lunettes de vue ordinaires sont munies seulement de verres résistants aux impacts ; ce ne sont **PAS** des lunettes de sécurité.
- **N'utiliser que les accessoires recommandés.** L'emploi de tout accessoire inadapté peut présenter un risque de blessure.
- **Suivre les instructions d'entretien spécifiées dans ce manuel.**
- **Vérifier l'état des pièces.** Avant d'utiliser l'outil de nouveau examiner soigneusement les pièces et dispositifs de protection qui semblent endommagés afin de déterminer s'ils fonctionnent correctement et s'ils remplissent les fonctions prévues. Vérifier l'alignement des pièces mobiles, s'assurer qu'aucune pièce n'est bloquée ou cassée, vérifier la fixation de chaque pièce et s'assurer qu'aucun autre problème ne risque d'affecter le bon fonctionnement de l'outil. Pour éviter les risques de blessures, toute protection ou pièce endommagée doit être correctement réparée ou remplacée dans un centre de réparations agréé.
- **Ne jamais laisser un outil en fonctionnement sans surveillance.** Ne pas s'éloigner de l'outil avant qu'il soit parvenu à un arrêt complet.
- **Suivre les recommandations du fabricant** pour charger, décharger, transporter et entreposer l'unité en toute sécurité.
- **Se familiariser complètement avec les commandes.** Veiller à savoir arrêter la machine et relâcher la pression rapidement.
- **Garder l'outil sec, propre et exempt d'huile ou de graisse.** Toujours utiliser un chiffon propre pour le nettoyage. Ne jamais utiliser de liquide de freins, d'essence ou de produits à base de pétrole pour nettoyer l'outil.
- **Ne pas utiliser l'outil si le commutateur ne permet pas de l'arrêter.** Faire remplacer les commutateurs défectueux dans un centre de réparations agréé.
- **Avant de nettoyer, réparer ou inspecter**, couper le moteur et vérifier que toutes les pièces en mouvement sont arrêtées.
- **Éviter les environnements dangereux.** Ne pas utiliser dans des endroits mouillés ou humides, ne pas exposer à la pluie. Garder le lieu de travail bien éclairé.
- **Ne jamais diriger un jet de peinture vers des personnes, des animaux et des appareils électriques.**
- **Ne jamais mettre la machine en marche** si de la glace s'est formée sur quelque partie que ce soit.
- **AVERTISSEMENT : Les pulvérisateurs à haute pression peuvent être dangereux s'ils sont utilisés incorrectement.** Le pulvérisateur ne doit pas être dirigé vers des personnes, animaux, dispositifs électriques ou l'équipement lui-même.
- **Rester à l'écart des pièces brûlantes.**
- **Vérifier le serrage de la boulonnerie** avant chaque utilisation. Un boulon ou écrou desserré peut causer de sérieux problèmes de moteur.
- **Laisser le produit refroidir avant de remiser l'outil.**
- **Remiser dans un endroit frais, bien aéré, à l'écart d'étincelle et/ou d'appareils produisant des flammes.**
- **Utiliser exclusivement des pièces identiques à celles d'origine pour les réparations.** L'usage de toute autre pièce pourrait créer une situation dangereuse ou endommager l'outil.
- **Ne pas utiliser l'outil si l'embout de pulvérisation n'est pas en place.**
- **Les conséquences d'une blessure par injection peuvent aller jusqu'à l'amputation.** Consulter immédiatement un médecin.
- **Ne jamais mettre les mains devant l'embout de pulvérisation pendant l'utilisation.** Le fait de porter des gants ne protège pas toujours l'utilisateur des blessures par injection.
- **Porter des vêtements protégeant la peau et les cheveux de la peinture, ainsi qu'un masque ou un respirateur pendant l'utilisation.** Les peintures, les solvants et les autres substances peuvent être dangereux s'ils sont inhalés ou s'ils entrent en contact avec le corps.
- **Toujours débrancher le pulvérisateur, éteindre l'unité et relâcher la pression avant de procéder à l'entretien ou au nettoyage de l'embout ou du dispositif de protection de l'embout, de changer d'embout, ou de laisser l'unité sans surveillance.**
- **Le plastique peut provoquer des étincelles. Ne jamais suspendre du plastique pour clôturer une aire de pulvérisation.** Ne pas utiliser de toiles de peintre en plastique au moment de pulvériser des substances inflammables.
- **Ne pas pulvériser à l'extérieur lors de journées venteuses.**
- **Ne pas tenter de nettoyer ou de dégraisser l'embout de pulvérisation avec son doigt.**
- **S'assurer que le cordon prolongateur est en bon état. Si un cordon prolongateur est utilisé, s'assurer que sa capacité est suffisante pour supporter le courant de fonctionnement de l'outil. Un calibre de fil (A.W.G) d'au minimum 14 est recommandé pour un cordon prolongateur de 15 m (50 pi) ou moins. L'usage d'un cordon de plus de 30 m (100 pi) est déconseillé. En cas de doute, utiliser un cordon du calibre immédiatement supérieur. Moins le numéro de calibre est élevé, plus la capacité du fil est grande.** Un cordon de capacité insuffisante causerait une baisse de la tension de ligne, entraînant une perte de puissance et une surchauffe.
- **Conserver ces instructions.** Les consulter fréquemment et les utiliser pour instruire d'autres utilisateurs. Si cet outil est prêté, il doit être accompagné de ces instructions.

# SYMBOLES

Les termes de mise en garde suivants et leur signification ont pour but d'expliquer le degré de risques associé à l'utilisation de ce produit.

SYMBOLE	SIGNAL	SIGNIFICATION
	<b>DANGER :</b>	Indique une situation extrêmement dangereuse qui, si elle n'est pas évitée, aura pour conséquences des blessures graves ou mortelles.
	<b>AVERTISSEMENT :</b>	Indique une situation potentiellement dangereuse qui, si elle n'est pas évitée, pourrait entraîner des blessures graves ou mortelles.
	<b>ATTENTION :</b>	Indique une situation potentiellement dangereuse qui, si elle n'est pas évitée, pourrait entraîner des blessures légères ou de gravité modérée.
	<b>AVIS :</b>	(Sans symbole d'alerte de sécurité) Indique une information importante ne concernant pas un risque de blessure comme une situation pouvant occasionner des dommages matériels.

Certains des symboles ci-dessous peuvent être présents sur le produit. Veiller à les étudier et à apprendre leur signification. Une interprétation correcte de ces symboles permettra d'utiliser le produit plus efficacement et de réduire les risques.

SYMBOLE	NOM	DÉSIGNATION / EXPLICATION
	Symbole d'alerte de sécurité	Indique un risque de blessure potentiel.
	Lire le manuel d'utilisation	Pour réduire les risques de blessures, l'utilisateur doit lire et veiller à bien comprendre le manuel d'utilisation avant d'utiliser ce produit.
	Protection oculaire	Always wear eye protection with side shields marked to comply with ANSI Z87.1.
	Risque d'injection	Pour réduire les risques d'injection ou de blessures, ne jamais diriger un jet de liquide vers des personnes ou des animaux, ou placer l'une ou l'autre des parties du corps devant le jet. Les fuites sur les tuyaux et les raccords peuvent également causer des blessures par injection. Ne pas tenir les tuyaux ou les raccords.
V	Volts	Tension
PSI	Livres par pouce carré	Pression des fluides
GPM	Gallons par minute	Quantité de liquide utilisée par minute lors d'une utilisation continue.
A	Ampères	Intensité
Hz	Hertz	Fréquence (cycles par seconde)
min	Minutes	Temps
~	Courant alternatif	Type de courant
$n_0$	Vitesse à vide	Vitesse de rotation à vide
	Outil de la classe II	Construction à double isolation
.../min	Par minute	Tours, coups, vitesse périphérique, orbites, etc., par minute

# CARACTÉRISTIQUES ÉLECTRIQUES

## CORDONS PROLONGATEURS

Utiliser exclusivement des cordons prolongateurs à trois fils doté d'une fiche à prise de terre branchés sur une prise triphasée compatible avec la fiche de l'outil. Lors de l'utilisation d'un outil électrique à grande distance d'une prise secteur, veiller à utiliser un cordon prolongateur d'une capacité suffisante pour supporter l'appel de courant de l'outil. Un cordon de capacité insuffisante causerait une baisse de la tension de ligne, entraînant une perte de puissance et une surchauffe. Se reporter au tableau ci-dessous pour déterminer le calibre minimum de fil requis pour un cordon donné. Utiliser exclusivement des cordons à gaine ronde homologués par Underwriter's Laboratories (UL).

\*\*Intensité nominale (sur la plaquette signalétique de l'outil)

0-2,0    2,1-3,4    3,5-5,0    5,1-7,0    7,1-12,0    12,1-16,0

Longueur du cordon	Calibre de fil (A.W.G.)					
	0-2,0	2,1-3,4	3,5-5,0	5,1-7,0	7,1-12,0	12,1-16,0
25'	16	16	16	16	14	14
50'	16	16	16	14	14	12
100'	16	16	14	12	10	—

\*\*Utilisé sur circuit de calibre 12 – 20 A.

NOTE : AWG = American Wire Gauge

Pour les travaux à l'extérieur, utiliser un cordon prolongateur spécialement conçu à cet effet. La gaine des cordons de ce type porte l'inscription « W-A » ou « W ».

Avant d'utiliser un cordon prolongateur, vérifier que ses fils ne sont ni détachés ni exposés et que son isolation n'est ni coupée, ni usée.



### AVERTISSEMENT :

Maintenir le cordon prolongateur à l'écart de la zone de travail. Lors du travail avec un cordon électrique, placer le cordon de manière à ce qu'il ne risque pas de se prendre dans les pièces de bois, outils et autres obstacles. Ne pas prendre cette précaution peut entraîner des blessures graves.



### AVERTISSEMENT :

Vérifier l'état des cordons prolongateurs avant chaque utilisation. Remplacer immédiatement tout cordon endommagé. Ne jamais utiliser un outil dont le cordon d'alimentation est endommagé car tout contact avec la partie endommagée pourrait causer un choc électrique et des blessures graves.

## CONNEXION ÉLECTRIQUE

Cet outil est équipé d'un moteur électrique de précision. Elle doit être branchée uniquement sur une **alimentation 120 V, c.a. (courant résidentiel standard), 60 Hz**. Ne pas utiliser cet produit sur une source de courant continu (c.c.). Une chute de tension importante causerait une perte de puissance et une surchauffe du moteur. Si l'outil ne fonctionne pas une fois branché, vérifier l'alimentation électrique.

## INSTRUCTIONS DE MISE À LA TERRE

Ce produit doit être fondé. En cas de problème de fonctionnement ou de panne, la mise à la terre fournit un chemin de résistance au courant électrique, pour réduire le risque de choc électrique. Cet produit est équipé d'un cordon électrique avec conducteur et fiche de mise à la terre. Le cordon doit être branché sur une prise correctement installée et mise à la terre conformément à tous les codes et réglementations locaux en vigueur.

Ne pas modifier la fiche fournie. Si elle ne peut pas être insérée dans la prise secteur, faire installer une prise adéquate par un électricien qualifié.



### AVERTISSEMENT :

L'usage d'un cordon prolongateur incorrect peut présenter des risques de choc électrique. Si le cordon doit être réparé ou remplacé, ne pas connecter le fil de terre de l'outil sur une borne sous tension. Le fil à gaine verte, avec ou sans traceur jaune est le fil de terre.

Consulter un électricien qualifié ou le personnel de service si les instructions de mise à la terre ne sont pas bien comprises, ou en cas de doute au sujet de la mise à la terre.

Tout cordon endommagé doit être réparé ou remplacé immédiatement.

Ce produit est pour l'usage sur un nominal 120 circuit de volt et a un fonder bouche similaire au bouchon illustré dans la figure 1. Seulement connecter le produit à une sortie ayant la même configuration comme le bouchon. Ne pas utiliser un adaptateur avec ce produit.

Cet produit est conçu pour être branché sur un circuit comportant une prise telle que celle montrée à la figure 1. Sa fiche est dotée d'une broche de terre semblable à celle représentée.

# CARACTÉRISTIQUES

## FICHE TECHNIQUE

Débit.....	0,91 lpm (0.24 GPM)
Pression .....	5 515,81 -19 305,32 kPa (800 - 2800 PSI)
Alimentation .....	120 V, 60 Hz, c.a. seulement, 7,0A

## VEILLEZ À BIEN CONNAÎTRE STATION DE PEINTURE

Voir la figure 2, page 16.

L'utilisation sûre de ce produit exige une compréhension des renseignements figurant sur l'outil et contenus dans le manuel d'utilisation, ainsi qu'une bonne connaissance du projet entrepris. Avant d'utiliser ce produit, se familiariser avec toutes ses fonctions et règles de sécurité.

## TUYAU FLEXIBLE HAUTE PRESSION DE 7,62 M (25 PI)

La station de peinture comprend un tuyau flexible haute pression de 7,62 m (25 pi) qui permet d'atteindre les endroits plus éloignés avec le pistolet de pulvérisation ou le rouleau à peindre sans avoir à déplacer l'appareil.

## POMPE À PISTON DE 17 236,89 kPa (2 800 PSI)

Maintient la pression nécessaire aux applications de pulvérisation et de roulage.

## SOUPAPE DE DÉCHARGE MANUELLE

La peinture séchée et les autres débris peuvent obstruer le clapet antiretour et empêcher l'unité d'être amorcée correctement. Le fait d'appuyer sur le bouton de la soupape de décharge manuelle de la vanne avant chaque démarrage permet à la peinture de s'écouler aisément dans le clapet antiretour, ce qui facilite et accélère le démarrage de l'unité.

## RANGEMENT POUR ACCESSOIRES INTÉGRÉ

La station de peinture comprend un rangement pour accessoires intégré pour un accès pratique au pistolet de pulvérisation, aux embouts de pulvérisation, à l'adaptateur du tuyau flexible et au tuyau flexible haute pression.

## ENSEMBLE DE ROULEAU À PEINDRE

Le rouleau à peindre est compatible avec n'importe quel rouleau de 228,6 mm (9 po), à poils de 9,53 mm (3/4 po) maximum.

## PISTOLET DE PULVÉRISATION

Le pistolet de pulvérisation permet d'assurer une finition en douceur.

## EMBOUTS DE PULVÉRISATION RÉVERSIBLES

L'unité comprend deux embouts de pulvérisation réversibles qui conviennent à une vaste gamme de projets et qui empêchent la peinture d'encrasser l'outil.

## RÉGULATEUR DE PRESSION « HIGH/LOW » (ÉLEVÉE/FAIBLE)

Régulateur de pression pour adapter facilement la pression à l'enduit appliqué.

- Pression faible pour l'amorçage et le nettoyage, ainsi que pour les enduits plus fluides et le roulage.
- Pression élevée idéale pour les latex et les applications de pulvérisation.

# ASSEMBLAGE

## DÉBALLAGE

Ce produit doit être assemblé.

- Sortir soigneusement la produit du carton et la poser sur un plan de travail horizontal.



### AVERTISSEMENT :

Ne pas utiliser le produit si, en le déballant, vous constatez que des éléments figurant dans la la liste d'expédition sont déjà assemblés. Certaines pièces figurant sur cette liste n'ont pas été assemblées par le fabricant et exigent une installation. Le fait d'utiliser un produit qui a été assemblé de façon inadéquate peut entraîner des blessures.

- Examiner soigneusement le produit pour s'assurer que rien n'a été brisé ou endommagé en cours de transport.

- Ne pas jeter les matériaux d'emballage avant d'avoir soigneusement examiné le produit et avoir vérifié qu'il fonctionne correctement.
- Si des pièces sont manquantes ou endommagées, appeler le 1-800-525-2579.

## LISTE D'EXPÉDITION

Voir la figure 3, page 16.

Description	Qté
Station de peinture avec couvercle .....	1
Pistolet de pulvérisation avec protecteur d'embout .....	1
Tête du rouleau .....	1
Poignée du rouleau .....	1
Rouleau de 228,6 mm (9 po) .....	1
Capuchon du rouleau .....	2

# ASSEMBLAGE

Roue.....	2
Essieu.....	2
Goupille de sûreté.....	2
Tuyau flexible haute pression mis à la terre de 7,62 m (25 pi).....	1
Embout de pulvérisation réversible 515.....	1
Accessoire du boyau d'arrosage.....	1
Manuel d'utilisation (pas illustré).....	1

## AVERTISSEMENT :

Si des pièces manquent ou sont endommagées, ne pas utiliser ce produit avant qu'elles aient été remplacées. Le non-respect de cette précaution peut entraîner des blessures graves.

## AVERTISSEMENT :

Ne pas essayer de modifier ce produit ou de créer des accessoires non recommandés pour le produit. De telles altérations ou modifications sont considérées comme un usage abusif et peuvent créer des conditions dangereuses, risquant d'entraîner des blessures graves.

## AVERTISSEMENT :

Ne pas brancher sur le secteur avant d'avoir terminé l'assemblage. Le non respect de cet avertissement peut causer un démarrage accidentel, entraînant des blessures graves.

## OUTILS NÉCESSAIRES

Clé réglable (2), clé hexagonale de 2 mm

## INSTALLATION DES ROUES

Voir la figure 4, page 17.

Pour fixer les roues sur la base :

- Repérer l'ensemble essieu.
- Glisser l'essieu dans le trou de la roue.
- Soulever légèrement la station de peinture, glisser l'essieu, avec roue et petit rondelle, dans le trou de montage de la roue à la base de l'unité.
- Pousser la goupille de blocage dans le trou situé à l'extrémité de l'essieu pour fixer solidement l'ensemble.
- Répéter l'opération pour la deuxième roue.

## PLIER LA POIGNÉE

Voir la figure 5, page 17.

- **Pour lever la poignée :** Soulever la poignée et tourner le bouton dans le sens des aiguilles d'une montre pour serrer.
- **Pour abaisser la poignée (aux fins d'entreposage) :** Tourner le bouton de dégagement de la poignée dans le sens contraire aux aiguilles d'une montre pour relâcher et plier la poignée.

## AVERTISSEMENT :

Ne jamais utiliser la poignée pour soulever le pulvérisateur de peinture. Le non-respect de cette précaution peut entraîner des blessures graves.

## BRANCHEMENT DU TUYAU FLEXIBLE HAUTE PRESSION ET DU PISTOLET DE PULVÉRISATION

Voir la figure 6, page 17.

**Pour raccorder le tuyau flexible haute pression à la station de peinture :**

- Visser la bague du tuyau flexible haute pression sur la sortie du tuyau flexible de pulvérisation situé sur la pompe
- Serrer solidement le tout à l'aide d'une clé à ouverture réglable.

**Pour raccorder le pistolet de pulvérisation au tuyau flexible haute pression :**

- Visser la bague du tuyau flexible haute pression sur le pistolet de pulvérisation en tournant la bague du tuyau flexible dans le sens horaire.
- Utiliser une clé réglable pour retenir l'écrou du pistolet de pulvérisation et une autre clé pour tourner et serrer l'écrou de l'extrémité du tuyau flexible. Serrer solidement le tout.

## INSTALLATION DE L'EMBOÛT DE PULVÉRISATION RÉVERSIBLE ET DU PROTECTEUR D'EMBOÛT SUR LE PISTOLET DE PULVÉRISATION

Voir la figure 7, page 17.

Consulter les instructions d'utilisation afin de prendre connaissance des directives sur le rinçage, l'application du primaire et le nettoyage avant d'installer le protecteur d'embout et l'embout de pulvérisation.

Examiner tous les avertissements concernant l'utilisation du pistolet de pulvérisation et le risque d'injection.

- Tourner la vis de verrouillage à serrage à main dans le sens antihoraire pour verrouiller la gâchette du pulvérisateur.
- Installer le siège et le capuchon de la buse dans le protecteur d'embout.
- Visser l'ensemble protecteur d'embout sur le pulvérisateur et serrer solidement le tout.
- Choisir l'embout de pulvérisation approprié et le pousser solidement dans le protecteur d'embout.
- Garder la gâchette du pistolet de pulvérisation verrouillée lorsque celui-ci n'est pas utilisé.

## INSTALLATION DU ROULEAU À PEINDRE

Voir la figure 8, page 17.

- Placer un capuchon de rouleau à chaque extrémité du rouleau à peindre.
- Aligner les goupilles situées à l'extrémité de chaque capuchon de rouleau avec la fente située à l'intérieur de la tête du rouleau. Enclencher le tout en place.

# UTILISATION

## AVERTISSEMENT :

Ne pas laisser la familiarité avec le produit faire oublier la prudence. Ne pas oublier qu'une fraction de seconde d'inattention peut entraîner des blessures graves.

## AVERTISSEMENT :

Toujours porter une protection oculaire certifiée conforme à la norme ANSI Z87.1. Si cette précaution n'est pas prise, des objets peuvent être projetés dans les yeux et causer des lésions graves.

## AVERTISSEMENT :

Ne pas utiliser d'outils ou accessoires non recommandés par le fabricant pour cet outil. L'utilisation de pièces et accessoires non recommandés peut entraîner des blessures graves.

## ACCESSOIRES

Tous les accessoires utilisés avec ce produit doivent tolérer une pression nominale d'au moins 17236,89 kPa (3 000 psi). S'assurer que l'accessoire est compatible et qu'il est bien installé avant de l'utiliser avec ce produit.

## AVERTISSEMENT :

Risque d'incendie ou d'explosion – L'aire de pulvérisation doit être ventilée et située à l'écart des étincelles et des flammes. Ne pas prendre cette précaution pourrait entraîner des blessures graves.

## APPLICATIONS

Ce produit peut être utilisé pour l'application ci-dessous :

- Pour peinture ou teinture d'extérieur sur patios, meubles d'extérieur, clôtures et murs.

## AVERTISSEMENT :

Pour réduire le risque d'injection, ne JAMAIS changer d'embout de pulvérisation sans avoir verrouillé le pulvérisateur et ne JAMAIS diriger le pulvérisateur vers soi, vers quiconque ou vers l'unité. En cas d'injection cutanée, consulter immédiatement un médecin. Ne pas respecter cette directive peut entraîner des blessures graves.

## VERROUILLAGE DU PISTOLET DE PULVÉRISATION

Voir la figure 9, page 17.

Toujours verrouiller la gâchette du pistolet de pulvérisation au moment de cesser de pulvériser afin d'éviter, en cas de choc, de déclencher accidentellement le pistolet et de causer une blessure par injection.

- Tourner la vis de verrouillage à serrage à main dans le sens
- Tourner la vis de verrouillage à serrage à main dans le sens horaire afin de déverrouiller la gâchette du pulvérisateur.

## PROCÉDURE DE LIBÉRATION DE LA PRESSION

Toujours suivre cette procédure au moment de mettre la station de peinture à l'arrêt pour quelque raison que ce soit. Cette procédure permet de libérer la pression du tuyau flexible haute pression.

- Sur le pistolet de pulvérisation, tourner la vis de verrouillage à serrage à main dans le sens antihoraire afin de verrouiller la gâchette du pulvérisateur.
- Régler l'interrupteur « ON/OFF » (marche/arrêt) à la position « OFF » (arrêt).
- Tourner le levier « prime/spray » (amorçage/pulvérisation) à la position « PRIME » (amorçage), comme illustré la figure 10. Ceci libère la pression de pompe.
- Déverrouiller la gâchette du pulvérisateur et diriger ce dernier vers la paroi intérieure du réservoir de peinture, en libérant la peinture ou la teinture non utilisée dans le réservoir. Ceci libère la pression de pompe dans le tuyau et pistolet de pulvérisation.
- Tourner la vis de verrouillage à serrage à main dans le sens antihoraire afin de verrouiller la gâchette du pulvérisateur.
- Laisser le levier « prime/spray » (amorçage/pulvérisation) à la position « PRIME » (amorçage) jusqu'à la prochaine séquence de pulvérisation.

## RINÇAGE DE LA STATION DE PEINTURE

Avant d'utiliser la nouvelle station de peinture ou avant d'entamer un nouveau projet ou de changer les couleurs, il est important de bien rincer la station de peinture afin de retirer tous les liquides d'entreposage, les liquides de nettoyage usagés ou les enduits demeurés dans le système. Suivre les instructions relatives au **Nettoyage de la station de peinture** avant d'entamer tout projet.

## INSTALLATION ET AMORÇAGE

Voir les figures 10 à 12, pages 17 à 18.

Amorcer la pompe et le pulvérisateur avant d'entamer toute application de pulvérisation ou de roulage.

Le pistolet à peinture est conçu pour contenir plusieurs formats de récipients. Adapté pour les formats de contenants de 3,78, 7,5 et 18,9 litres ou 3,78 litres carré (5, 2, 1 gallon ou 1 gallon carré).

Remplir le réservoir avec la peinture ou la teinture désirée. Placer le couvercle sur le réservoir.

- Retirer le protecteur d'embout et l'embout de pulvérisation du pistolet de pulvérisation.
- Placer le tube d'admission dans le bidon de peinture.
- Installer le tube de retour au-dessus du compartiment à déchets afin d'éliminer les résidus d'enduit.
- Tourner le levier « prime/spray » (amorçage/pulvérisation) à la position « PRIME » (amorçage).
- Régler le régulateur de pression « HIGH/LOW » (élevée/faible) à la position « LOW » (faible).
- Appuyer sur le bouton de la soupape de décharge manuelle de la vanne et le relâcher pour s'assurer que le clapet antiretour est dégagé.
- Brancher la station de peinture.
- Régler l'interrupteur « ON/OFF » (marche/arrêt) à la position « On » (marche).
- Lorsque l'enduit commence à circuler dans le tube de retour, installer le tube de retour dans le réservoir de peinture et le fixer sur le tube d'admission.
- Diriger le pistolet de pulvérisation (dépourvu du protecteur d'embout et de l'embout de pulvérisation) dans le compartiment à déchets.

# UTILISATION

- Tourner le levier « prime/spray » (amorçage/pulvérisation) à la position « SPRAY » (pulvérisation).
- Déverrouiller la gâchette du pulvérisateur.
- Tourner le régulateur de pression « HIGH/LOW » (élevée/faible) de la position « LOW » (faible) à « High » (élevée) jusqu'à ce que la pompe démarre.
- Pulvériser dans le contenant à déchets jusqu'à ce que l'air, l'eau et le liquide de nettoyage soient expulsés et qu'il ne sorte que de la peinture.  
**NOTE :** Lorsque le moteur s'arrête, cela indique que la pompe et les tuyaux flexibles sont sous pression. Si le moteur continue de fonctionner, amorcer de nouveau la pompe en tournant le levier « prime/spray » (amorçage/pulvérisation) à la position « PRIME » (amorçage).
- Tourner la vis de verrouillage à serrage à main dans le sens antihoraire afin de verrouiller la gâchette du pulvérisateur.
- Régler l'interrupteur « ON/OFF » (marche/arrêt) à la position « OFF » (arrêt).
- Remplacer le protecteur d'embout et l'embout de pulvérisation réversible sur le pistolet de pulvérisation (consulter la section intitulée Choix d'un embout de pulvérisation).
- L'unité est prête pour la pulvérisation.

## CHOIX D'UN EMBOUT DE PULVÉRISATION

Voir la figure 13, page 18.

Les embouts de pulvérisation comportent des trous de différentes dimensions et des éventails de différentes largeurs.

Cet appareil comprend un embout de vaporisation réversible d'un trou de 0,381 mm (0,015 po) qui convient à une vaste gamme d'applications. L'embout 515 comporte un éventail permettant de pulvériser sur une largeur de 254 mm (10 po) à 304,8 mm (12 po).

**TAILLE DU TROU :** La taille du trou de l'embout de pulvérisation détermine le débit, c'est-à-dire, la quantité de peinture déchargée par le pulvérisateur.

Un trou de plus grande taille convient mieux aux enduits plus épais. Un trou de plus petite taille convient mieux aux enduits plus minces.

**TAILLE DE L'ÉVENTAIL :** La largeur de l'éventail détermine la taille du jet lorsque le pulvérisateur est maintenu à une distance d'environ 304,8 mm (12 po) de la surface à peindre.

Un éventail étroit assure une couverture plus épaisse de l'enduit et convient mieux aux endroits petits et étroits.

Un éventail large assure une couverture plus mince de l'enduit et convient mieux aux surfaces larges et ouvertes.

**CHIFFRES DE L'EMBOUT DE PULVÉRISATION :** Au moment de choisir l'embout de pulvérisation, noter que les trois derniers chiffres se trouvant sur l'embout renferment les renseignements sur la taille du trou et la largeur de l'éventail.

Par exemple, le numéro de l'embout de pulvérisation est 515, le chiffre « 5 », lorsqu'il est doublé, correspond à la largeur approximative de l'éventail lorsque la peinture est appliquée à une distance de 304,8 mm (12 po) de la surface. Les deux derniers chiffres (« 15 ») correspondent à la taille du trou en pouces. Dans le cas présent, 0,381 mm (0,015 po).

Taille de l'orifice de l'embout	REVÊTEMENTS				
	Léger		Moyen		Lourd
	Teintures	Émail	Primaires	Peintures d'intérieur	Peintures d'extérieur
0.011	•				
0.013	•	•			
0.015		•	•	•	
0.017			•	•	•
0.019			•	•	•
0.021					•

**USURE DE L'EMBOUT DE PULVÉRISATION :** Il importe de remplacer les embouts de pulvérisation lorsqu'ils sont usés. Si l'embout est usé, cela peut causer une application ou une finition inégale. Au fil du temps, le trou de l'embout de pulvérisation s'agrandit et l'éventail se rétrécit.

Avec la peinture au latex, il est nécessaire de remplacer les embouts de pulvérisation après avoir utilisé 56,78 l (15 gal) à 151,4 l (40 gal) d'enduit. Dans le cas des enduits à l'huile, remplacer les embouts de pulvérisation après 132,48 l (35 gal) à 227,1 mm (60 gal).

Pour augmenter la durée de vie des embouts de pulvérisation, recourir à la plus faible pression nécessaire pour appliquer un revêtement égal d'enduit.



### AVERTISSEMENT :

Il s'agit d'un dispositif haute pression. Pour réduire les risques de blessures, l'utilisateur doit lire et veiller à bien comprendre le manuel d'utilisation de l'outil. Pour réduire le risque d'injection, ne pas diriger le pulvérisateur vers soi, vers quiconque ou vers l'unité. En cas d'injection cutanée, consulter immédiatement un médecin. Ne pas respecter cette directive peut entraîner des blessures graves.

## PULVÉRISATION

Voir la figure 14, page 18.

- S'assurer que la surface à peindre est exempte de poussière, de saleté et de graisse.
- Masquer ou recouvrir les surfaces sur lesquelles on ne prévoit pas appliquer de peinture ou de teinture. Attention au vent; il pourrait entraîner la peinture ou la teinture vers des endroits non désirés. Toujours utiliser une toile de peinture ou un autre recouvrement pour protéger les zones sur lesquelles on ne prévoit pas appliquer de peinture ou de teinture.
- Choisir l'embout de pulvérisation et l'appuyer solidement dans le protecteur d'embout. La flèche située sur l'embout de pulvérisation doit faire face au sens de pulvérisation.
- Brancher la station de peinture.
- Amorcer l'unité. Suivre les instructions décrites à la section intitulée **Préparation et amorçage**.
- Régler l'interrupteur « ON/OFF » (marche/arrêt) à la position « On » (marche).
- Tourner le levier « prime/spray » (amorçage/pulvérisation) à la position « SPRAY » (pulvérisation).



# UTILISATION

■ Tourner le régulateur de pression « HIGH/LOW » (élevée/faible) dans le sens horaire vers l'icône « SPRAY » (pulvérisation) (pression élevée). Il est possible de régler la pression de manière à obtenir la forme de jet et la couverture désirées.

■ Déverrouiller la gâchette du pistolet de pulvérisation. Commencer à pulvériser.

**NOTE :** Si l'embout de pulvérisation s'encrasse, le tourner de 180° et pulvériser dans le compartiment à déchets afin d'éliminer les résidus. Régler l'embout de pulvérisation en position de pulvérisation et poursuivre l'opération.

■ Une fois l'opération terminée ou en cas d'arrêt, peu importe la raison, verrouiller la gâchette du pistolet de pulvérisation et suivre les instructions décrites à la section intitulée **Procédure de libération de la pression**.

## CONSEILS SUR L'APPLICATION DE PEINTURE

Voir les figures 15 à 16, page 18.

■ S'exercer à pulvériser sur des matériaux de rebut afin de tester la forme du jet avant de débiter l'opération. S'il est impossible d'obtenir une bonne forme de jet, consulter la section « **Dépannage** ».

■ Pour créer un revêtement égal sur toute la surface :

- Garder le pistolet à une distance égale de la zone de pulvérisation, soit de 304,8 mm (12 po) entre l'embout du pulvérisateur et la surface à pulvériser.
- Utiliser le pistolet en lui faisant effectuer des mouvements horizontaux. Ne pas tenir le pulvérisateur en angle. Cela donnera un revêtement inégal.
- Appuyer sur la gâchette pour commencer à pulvériser au début du mouvement et relâcher la gâchette à la fin du mouvement. Pour empêcher l'accumulation d'enduit, ne pas continuer d'appuyer sur la gâchette entre deux mouvements.
- Compléter un passage par mouvement. Chaque mouvement doit chevaucher la moitié du mouvement précédent pour couvrir complètement la surface.

■ Une fois l'opération terminée, remettre la peinture ou la teinture non utilisée dans son contenant d'origine et bien nettoyer le pistolet.

## APPLICATION DE PEINTURE AVEC LE ROULEAU À PEINDRE

Voir les figures 17 à 18, pages 18 à 19.

**NOTE :** Le pistolet de pulvérisation est utilisé pour contrôler le débit de peinture dans le rouleau. Appuyer sur la gâchette seulement si davantage de peinture est requise sur le rouleau.

- Tourner la vis de verrouillage à serrage à main dans le sens antihoraire pour verrouiller la gâchette du pistolet de pulvérisation.
- Éteindre la station de peinture et libérer la pression du pistolet.
- Assembler le rouleau de 228,6 mm (9 po) dans la tête du rouleau, tel que décrit à la section Installation du rouleau à peindre.
- Retirer le protecteur d'embout et l'embout de pulvérisation du pistolet de pulvérisation.
- Visser la poignée du rouleau sur le pulvérisateur (s'assurer que la rondelle en caoutchouc se trouve dans la poignée du rouleau avant de procéder à l'assemblage).
- Serrer solidement le tout au moyen d'une clé à ouverture réglable.
- Enclencher la tête du rouleau sur la poignée du rouleau (s'assurer que les attaches sont complètement engagées).
- Régler l'interrupteur « ON/OFF » (marche/arrêt) à la position « On » (marche).
- Tourner le régulateur de pression « HIGH/LOW » (élevée/faible) vers l'icône « ROLLING » (ROULAGE) (pression faible).
- Tourner le levier « prime/spray » (amorçage/pulvérisation) à la position « SPRAY » (pulvérisation).

■ Appuyer sur la gâchette. Une fois que le rouleau est rempli de peinture, relâcher la gâchette; appuyer de nouveau sur celle-ci si davantage de peinture est requise.

**NOTE :** Ne pas appuyer sur la gâchette de façon continue. Pour obtenir de meilleurs résultats, à tous les trois mouvements, appuyer sur la gâchette pendant une seconde, la relâcher puis continuer d'appliquer de la peinture.

■ Saisir le rouleau poignée d'une main tout en maintenant la gâchette la poignée de l'autre main. Ne forcez pas le rouleau contre le surface que vous peignez.

■ Pour créer un revêtement égal sur toute la surface :

- Sur une zone de plusieurs pieds de largeur, appliquer la peinture ou la teinture en zigzag.
- Rouler d'avant en arrière sur la même surface jusqu'à ce qu'elle soit entièrement recouverte et qu'aucune marque de rouleau ne demeure.
- S'il est nécessaire d'appliquer des couches supplémentaires, laisser la peinture ou la teinture sécher complètement entre chaque couche.

■ Une fois l'opération terminée, verrouiller la gâchette du pistolet de pulvérisation et suivre la **Procédure de libération de la pression**.

■ Débrancher la station de peinture.



### AVERTISSEMENT :

Pour réduire les risques d'incendie ou d'explosion : ne pas nettoyer l'appareil avec des liquides inflammables comme du décapant pour peinture, du décapeur, du nettoyant pour pinceaux, de l'essence minérale, du diluant à peinture-laque, de la térébenthine, de l'acétone, de l'essence, du kérosène, etc. Utiliser uniquement de l'eau (dans le cas de peintures à l'eau) ou du diluant de formule Klean Strip® Green Safer Paint Thinner (dans le cas de peintures ou de vernis à base d'huile).

## ENTREPOSAGE DE NUIT (JUSQU'À 12 HEURES)

**NOTE :** Ces directives concernent uniquement les peintures au latex et les enduits à l'eau. Si des enduits à l'huile sont utilisés, consulter les sections **Nettoyage de la station de peinture** et **Entreposage à long terme** afin de prendre connaissance des instructions. Les teintures et les enduits à l'huile ne peuvent être conservés pendant de longues périodes.

- Verrouiller le pistolet de pulvérisation et suivre la **Procédure de libération de la pression**.
- Régler l'interrupteur « ON/OFF » (marche/arrêt) à la position « OFF » (arrêt).
- Débrancher la station de peinture.
- Fermer le couvercle sur le réservoir. Envelopper les tubes et contenants avec du plastique pour empêcher le contact avec l'air.
- Enrouler un linge humide autour du pistolet de pulvérisation et le placer dans un sac de plastique. Sceller le sac.
- Pendant un entreposage court, garder le pistolet à l'abri de la lumière du soleil. Pour un entreposage prolongé, suivre les directives décrites à la section intitulée **Nettoyage de la station de peinture**.

# UTILISATION

## NETTOYAGE DE LA STATION DE PEINTURE

Voir les figures 19 à 20, page 19.

La solution utilisée pour nettoyer le pistolet est déterminée en fonction du type de l'enduit pulvérisé. Dans le cas d'enduits autres qu'au latex, utiliser le diluant de formule Klean Strip® Green Safer Paint Thinner (dans le cas de peintures ou de vernis à l'huile).

### AVIS :

Il est important de bien nettoyer la station de peinture et le pistolet de pulvérisation après chaque utilisation ou au moment de changer de couleur. Le fait de laisser de la peinture ou de la teinture dans un outil au repos pendant une longue période peut entraîner l'encrassement des tuyaux flexibles et le grippage des pièces mobiles de l'appareil.

- Toujours utiliser une toile de peintre ou un autre recouvrement pour protéger les zones des renversements éventuels.
- Verrouiller le pistolet de pulvérisation et suivre la **Procédure de libération de la pression**.
- Débrancher la station de peinture.
- Retirer l'embout de pulvérisation et le protecteur d'embout du pulvérisateur.
- Utiliser la brosse de nettoyage pour embouts de pulvérisation pour retirer les résidus d'enduit des trous des embouts de pulvérisation.
- Faire tremper les embouts de pulvérisation et le protecteur d'embout dans l'eau (dans le cas de peintures à l'eau) ou dans le diluant de formule Klean Strip® Green Safer Paint Thinner (dans le cas de peintures ou de vernis à l'huile), puis rincer.
- Verser toute peinture ou teinture non utilisée dans son contenant d'origine. Si le réservoir de la station de peinture est utilisé, le rincer avec de l'eau (dans le cas de peintures à l'eau) ou du diluant de formule Klean Strip® Green Safer Paint Thinner (dans le cas de peintures ou de vernis à l'huile). Vider le contenu dans le contenant à déchets.
- Retirer le filtre du tube d'admission, le faire tremper dans un nettoyant liquide, puis le rincer.
- Remplir le réservoir de la station de peinture d'eau (dans le cas de peintures à l'eau) ou de diluant de formule Klean Strip® Green Safer Paint Thinner (dans le cas de peintures ou de vernis à l'huile).  
**NOTE :** Dans le cas d'enduits à l'eau, si le produit est rincé ou nettoyé avec de l'eau, il peut être plus facile d'utiliser un boyau d'arrosage ainsi que l'accessoire pour boyau d'arrosage (inclus). Retirer le filtre du tube d'admission (1) et le fixer sur le boyau d'arrosage à l'aide de l'accessoire (2).
- Placer le tube d'admission dans le réservoir de la station de peinture.
- Placer le tube de retour dans le contenant de peinture d'origine.
- Placer le contenant de peinture d'origine à côté du contenant à déchets.
- Tourner le levier « prime/spray » (amorçage/pulvérisation) à la position « PRIME » (amorçage).
- Tourner le régulateur de pression « HIGH/LOW » (élevée/faible) dans le sens antihoraire à la position « LOW » (faible).
- Régler l'interrupteur « ON/OFF » (marche/arrêt) à la position « On » (marche).

La station de peinture achemine le nettoyant liquide dans le tube d'admission par la pompe et l'expulse par le tube de retour dans le contenant de peinture. Déplacer le tube du contenant de peinture jusqu'au contenant à déchets dès que le nettoyant liquide commence à être expulsé du tube de retour.

- Tourner le levier « prime/spray » (amorçage/pulvérisation) à la position « SPRAY » (pulvérisation).
  - Verrouiller le pistolet de pulvérisation
  - Diriger le pistolet de pulvérisation vers la paroi intérieure du contenant de peinture d'origine pour expulser la peinture du système de façon à ce qu'il n'y ait aucune perte.
  - Déplacer le pistolet de pulvérisation du contenant de peinture jusqu'au contenant à déchets dès que le nettoyant liquide commence à être expulsé du pulvérisateur.
  - Laisser le nettoyant s'écouler du système pendant au moins une minute (jusqu'à ce que le liquide s'éclaircisse).
- NOTE :** Si un boyau d'arrosage avec adaptateur est utilisé, mettre en marche le boyau et laisser couler l'eau dans le système jusqu'à ce qu'elle soit claire
- Laisser le système fonctionner pendant environ une minute ou jusqu'à ce que le nettoyant liquide soit clair.
  - Tourner le levier « prime/spray » (amorçage/pulvérisation) à la position « PRIME » (amorçage).
  - Régler l'interrupteur « ON/OFF » (marche/arrêt) à la position « OFF » (arrêt).
  - Débrancher la station de peinture.
  - Jeter l'eau sale (ou le diluant de formule blanche Klean Strip®), conformément aux ordonnances fédérales, locales et d'État.

## POUR NETTOYER LE ROULEAU À PEINDRE :

- Toujours utiliser une toile de peintre ou un autre recouvrement pour protéger les zones des renversements éventuels.
- Débrancher la tête du rouleau de la poignée du rouleau et verser la quantité restante de peinture ou de teinture de la tête du rouleau et de la poignée du rouleau dans le contenant d'origine.
- Bien nettoyer le rouleau et les accessoires en les faisant tremper et en les rinçant dans l'eau (dans le cas de peintures à l'eau) ou dans du diluant de formule Klean Strip® Green Safer Paint Thinner (dans le cas de peintures ou de vernis à l'huile).

## NETTOYAGE DU FILTRE DU PISTOLET DE PULVÉRISATION

Voir la figure 21, page 19.

- Éteindre la station de peinture en suivant la **Procédure de libération de la pression**.
- Débrancher la station de peinture.
- S'assurer que la gâchette du pistolet de pulvérisation est verrouillée.
- Retirer le pistolet de pulvérisation du tuyau flexible haute pression en utilisant deux clés à ouverture réglable.
- Dévisser la vis creuse hexagonale et l'écrou de blocage afin de libérer le dispositif de protection de la gâchette de la plaque se trouvant sur la base du pulvérisateur.
- À l'aide d'une clé, tourner la poignée dans le sens antihoraire afin de la retirer.
- Retirer le filtre de la poignée en remarquant le sens du filtre.
- Bien nettoyer le contenant du filtre avec de l'eau (dans le cas de peintures à l'eau) ou du diluant de formule Klean Strip® Green Safer Paint Thinner (dans le cas de peintures ou de vernis à l'huile).
- Si le filtre est troué, le remplacer. NE JAMAIS percer le filtre avec un objet.
- Replacer le filtre dans la poignée, en plaçant l'extrémité conique vers le bas, face à l'arrière du pulvérisateur. Le pulvérisateur ne fonctionnera pas si le filtre a été inséré incorrectement dans la poignée.
- Réassembler le pistolet de pulvérisation dans l'ordre inverse, puis serrer solidement le tout.

# ENTRETIEN



## AVERTISSEMENT :

Utiliser exclusivement des pièces d'origine pour les réparations. L'usage de toute autre pièce pourrait créer une situation dangereuse ou endommager le produit.



## AVERTISSEMENT :

Toujours porter une protection oculaire avec écrans latéraux certifiée conforme à la norme ANSI Z87.1. Le non respect de cette règle peut faire en sorte que des liquides soient projetés dans vos yeux, ce qui peut entraîner des blessures graves.

## PROCÉDURES D'ENTRETIEN

Éviter d'utiliser des solvants pour le nettoyage des pièces en plastique. La plupart des matières plastiques peuvent être endommagées par divers types de solvants du commerce. Utiliser un chiffon propre pour éliminer la saleté, la poussière, l'huile, la graisse, etc.



## AVERTISSEMENT :

Ne jamais laisser de liquides tels que le fluide de freins, l'essence, les huiles pénétrantes, etc., entrer en contact avec les pièces en plastique. Les produits chimiques peuvent endommager, affaiblir ou détruire le plastique, ce qui peut entraîner des blessures graves.

## ENTREPOSAGE À LONG TERME

*Voir la figure 22, page 19.*

Au moment d'entreposer la station de peinture pendant 16 heures ou plus, il est recommandé de bien la nettoyer.

- Arrêt de la station de peinture.
- Bien nettoyer la station de peinture et le pulvérisateur, conformément aux directives.
- S'assurer que l'unité et les tubes sont exempts d'eau ou de tout autre liquide, étant donné que les fluides sont susceptibles de geler.
- Enrouler le tuyau flexible haute pression de 7,62 m (25 pi) et le ranger à l'arrière de l'outil au moyen de courroies velcro.
- Garder le tube d'admission et le tube d'amorçage dans le contenant de peinture. Ranger le filtre et le pulvérisateur dans un sac de plastique et sceller le tout.
- Replier la poignée vers l'avant de l'outil.

# DÉPANNAGE

PROBLÈME	CAUSE	SOLUTION POSSIBLE
Le moteur ne tourne pas	<p>La station de peinture n'est pas branchée.</p> <p>L'interrupteur « On/Off » (marche/arrêt) est réglé à la position « Off » (A&lt;arrêt).</p> <p>La station de peinture s'est éteinte sous pression.</p> <p>Il n'y a pas de courant dans la prise.</p> <p>Le cordon prolongateur est endommagé ou possède une faible tension.</p> <p>Un fusible de la station de peinture a sauté.</p> <p>Le moteur ne fonctionne pas correctement.</p>	<p>S'assurer que l'unité est branchée.</p> <p>Régler l'interrupteur « On/Off » (marche/arrêt) à la position « On » (marche).</p> <p>Tourner le bouton du régulateur de pression « HIGHT/LOW » (élevée/faible) de manière à obtenir une pression maximale ou libérer la pression en tournant le levier « prime/spray » (amorçage/pulvérisation) à la position « PRIME » (amorçage).</p> <p>Mettre à l'essai la tension d'alimentation.</p> <p>Remplacer le cordon prolongateur.</p> <p>Communiquer avec un centre de réparations agréé.</p> <p>Communiquer avec un centre de réparations agréé.</p>
La pression est trop faible.	Le régulateur de pression « HIGH/LOW » (élevée/faible) est réglé à une pression trop élevée.	Tourner le régulateur de pression « HIGHT/LOW » (élevée/faible) dans le sens horaire.
La pompe ne amorçage pas.	<p>La valve « Prime/Spray » (amorçage/pulvérisation) est réglée à la position « Spray » (pulvérisation).</p> <p>Le grillage d'admission est obstrué ou le tube d'admission n'est pas immergé.</p> <p>La soupape à bille d'entrée est bloquée.</p> <p>Le tube d'admission détachées</p>	<p>Tourner le levier « Prime/Spray » (amorçage/pulvérisation) à la position « Prime » (amorçage).</p> <p>Retirer tous les débris obstruant le grillage d'admission et s'assurer que le tube d'admission se trouve au fond du contenant de peinture.</p> <p>Appuyer sur le bouton de la soupape de décharge manuelle</p> <p>Retirer le tube d'admission et insérer un crayon dans l'ouverture pour déloger la bille afin d'amorcer correctement la pompe.</p> <p>Serrer le tube d'admission à l'aide d'un tournevis à tête plate.</p>
La station de peinture démarre, mais ne fait pas circuler la peinture lorsque l'utilisateur tourne le levier « prime/spray » (amorçage/pulvérisation) à la position « PRIME » (amorçage).	<p>Le réservoir de peinture est vide ou le tube d'admission n'est pas complètement immergé dans le liquide.</p> <p>Le filtre de succion est encrassé.</p> <p>La valve « prime/Spray » (amorçage/pulvérisation) est encrassée.</p>	<p>Remplir le réservoir de peinture d'enduit et immerger le tube d'admission dans l'enduit.</p> <p>Nettoyer le filtre de succion.</p> <p>Communiquer avec un centre de réparations agréé.</p>
La forme du jet est faible ou inégale	<p>La pression est réglée à « LOW » (faible).</p> <p>Le pistolet de pulvérisation ou le filtre du tuyau du filtre est encrassé.</p> <p>Le tube du filtre est desserré à l'endroit de la valve d'entrée.</p> <p>L'embout de pulvérisation est usé.</p> <p>L'enduit pulvérisé est trop épais.</p> <p>Perte de pression.</p>	<p>Tourner le bouton du régulateur de pression « HIGHT/LOW » (élevée/faible) de manière à augmenter la pression.</p> <p>Nettoyer ou remplacer les filtres.</p> <p>Serrer le raccord du tube.</p> <p>Remplacer l'embout de pulvérisation.</p> <p>Suivre les directives du fabricant pour diluer l'enduit, au besoin.</p> <p>Consulter la section intitulée « <b>cause/solutions possibles</b> » pour le problème suivant : « <b>Le moteur semble fonctionner correctement, mais la pression diminue lorsqu'on appuie sur le pistolet de pulvérisation</b> ».</p>

# DÉPANNAGE

PROBLÈME	CAUSE	SOLUTION POSSIBLE
Le moteur semble fonctionner correctement, mais la pression diminue lorsqu'on appuie sur le pistolet de pulvérisation.	<p>L'embout de pulvérisation réversible est usé.</p> <p>L'embout de pulvérisation est encrassé.</p> <p>Le tube et le filtre de succion sont desserrés ou endommagés.</p> <p>Le filtre du pistolet de pulvérisation est encrassé.</p> <p>L'enduit pulvérisé est trop épais.</p> <p>La valve d'entrée est endommagée ou usée.</p> <p>Le tube d'admission est desserré.</p>	<p>Remplacer l'embout de pulvérisation.</p> <p>Tourner l'embout de pulvérisation de 180° et pulvériser afin de le nettoyer.</p> <p>Réinstaller ou remplacer le tube et le filtre de succion, au besoin.</p> <p>Nettoyer ou remplacer le filtre du pistolet de pulvérisation.</p> <p>Suivre les directives du fabricant pour diluer l'enduit, au besoin.</p> <p>Remplacer la valve d'entrée.</p> <p>Serrer le tube d'admission.</p>
Le levier « prime/spray » (amorçage/pulvérisation) est réglé à la position « Spray » (pulvérisation), mais du liquide circule dans le tube d'amorçage.	Le levier « prime/spray » (amorçage/pulvérisation) est sale ou endommagé	Communiquer avec un centre de réparations agréé.
Le pistolet de pulvérisation leaks des fuites	Internal sprayer parts are worn or damaged	Communiquer avec un centre de réparations agréé.
Le protecteur d'embout comporte des fuites.	Le protecteur d'embout ou l'embout de pulvérisation sont assemblés de façon incorrecte.	Réassembler le tout en suivant les directives sur l'assemblage du protecteur d'embout et de l'embout de pulvérisation.
Le pistolet de pulvérisation ne pulvérise pas	<p>L'embout de pulvérisation est encrassé.</p> <p>Le filtre du pistolet de pulvérisation est encrassé.</p> <p>L'embout de pulvérisation n'est pas complètement appuyé dans le protecteur d'embout.</p>	<p>Tourner l'embout de pulvérisation de 180° et pulvériser afin de le nettoyer.</p> <p>Nettoyer ou remplacer le filtre du pistolet de pulvérisation.</p> <p>Réassembler le tout en suivant les directives sur l'assemblage du protecteur d'embout et de l'embout de pulvérisation.</p>
La forme du jet est faible ou inégale.	<p>La pression est réglée à « LOW » (faible).</p> <p>Le pistolet de pulvérisation ou le filtre du tuyau du filtre est encrassé.</p> <p>Le tube du filtre est desserré à l'endroit de la valve d'entrée.</p> <p>L'embout de pulvérisation est usé.</p> <p>L'enduit pulvérisé est trop épais.</p> <p>Perte de pression.</p>	<p>Tourner le bouton du régulateur de pression « HIGHT/LOW » (élevée/faible) de manière à augmenter la pression.</p> <p>Nettoyer ou remplacer les filtres.</p> <p>Serrer le raccord du tube.</p> <p>Remplacer l'embout de pulvérisation.</p> <p>Suivre les directives du fabricant pour diluer l'enduit, au besoin.</p> <p>Consulter la section intitulée « <b>cause/solutions possibles</b> » pour le problème suivant : « <b>Le moteur semble fonctionner correctement, mais la pression diminue lorsqu'on appuie sur le pistolet de pulvérisation</b> ».</p>

**FIGURES (ILLUSTRATIONS) COMMENÇANT SUR 16 DE PAGE APRÈS LA SECTION ESPAGNOL.**

# ÍNDICE DE CONTENIDO

■ Introducción.....	2
■ Garantía .....	2
■ Reglas de seguridad generales .....	3
■ Reglas de seguridad específicas.....	4
■ Símbolos.....	5
■ Aspectos eléctricos .....	6
■ Características.....	7
■ Armado .....	7-8
■ Funcionamiento .....	9-12
■ Mantenimiento.....	13
■ Corrección de problemas .....	14-15
■ Figura numeras (ilustraciones).....	16-19
■ Pedidos de piezas / Servicio .....	Pág. posterior

## INTRODUCCIÓN

Este producto ofrece numerosas características para hacer más agradable y placentero su uso. En el diseño de este producto se ha conferido prioridad a la seguridad, el desempeño y la fiabilidad, por lo cual se facilita su manejo y mantenimiento.

## GARANTÍA

### HERRAMIENTAS ELÉCTRICAS RYOBI® – GARANTÍA LIMITADA DE DOS AÑOS Y POLÍTICA DE INTERCAMBIO A LOS 90 DÍAS

One World Technologies, Inc., garantiza sus herramientas eléctricas con las siguientes condiciones:

**POLÍTICA DE INTERCAMBIO A LOS 90 DÍAS:** Durante los primeros 90 días a partir de la fecha de compra, usted puede solicitar servicio al amparo de esta garantía o puede intercambiar cualquier herramienta eléctrica RYOBI® que no funcione correctamente debido a defectos en los materiales o en la mano de obra, devolviéndola en el establecimiento donde la adquirió. Para recibir la herramienta eléctrica de reemplazo o el servicio de garantía solicitado, debe presentar documentación de prueba de la compra, y devolver el equipo original empaquetado con el producto original. La herramienta eléctrica de reemplazo queda cubierta por la garantía limitada por el resto del período de garantía de dos años a partir de la fecha de la compra original.

**LO QUE CUBRE ESTA GARANTÍA:** Esta garantía cubre todos los defectos en material y en mano de obra empleados en la herramienta eléctrica RYOBI® por un período de dos años a partir de la fecha de compra. Con excepción de las baterías, los accesorios de las herramientas eléctricas están garantizados por noventa (90) días. Las baterías están garantizadas por dos años.

**FORMA DE OBTENER SERVICIO:** Simplemente envíe la herramienta eléctrica debidamente empaquetada y con el flete pagado por anticipado a un centro de servicio autorizado. Puede obtener información sobre la ubicación del centro de servicio autorizado más cercano escribiendo a One World Technologies, Inc., P.O. Box 1207, Anderson, SC 29622-1207, USA, llamando al 1-800-525-2579 o dirigiéndose al sitio en Internet, [www.ryobitools.com](http://www.ryobitools.com). Al solicitar servicio al amparo de la garantía, debe presentar documentación de prueba de la compra que incluya la fecha de ésta (por ejemplo un recibo de venta). Reparamos toda mano de obra deficiente del producto, y reparamos o reemplazamos cualquier pieza defectuosa, a nuestra sola discreción. Lo hacemos sin cargarle ningún costo al consumidor. Efectuamos el trabajo en un período de tiempo razonable, pero en todo caso en menos de noventa (90) días.

**LO QUE NO ESTÁ CUBIERTO:** Esta garantía se ofrece exclusivamente al comprador original al menudeo y no puede transferirse. Esta garantía sólo cubre defectos que aparezcan en el uso normal de la herramienta y no cubre ningún malfuncionamiento, falla o defecto producido por el uso indebido, maltrato, negligencia, alteración, modificación o reparación efectuada por terceros diferentes de los centros de servicio autorizados. One World Technologies, Inc. no ofrece ninguna garantía, declaración o promesa en relación con la calidad o el desempeño de sus herramientas eléctricas más que las señaladas específicamente en esta garantía.

**LIMITACIONES ADICIONALES:** Toda garantía otorgada de conformidad con las leyes estatales, incluidas las garantías de comerciabilidad o idoneidad para un uso en particular, está limitada a dos años a partir de la fecha de compra. One World Technologies, Inc. no es responsable de daños directos, indirectos o incidentales, por lo tanto es posible que las limitaciones y exclusiones descritas arriba no se apliquen en el caso de usted. Esta garantía le confiere derechos legales específicos, y es posible que usted goce de otros derechos, los cuales pueden variar de estado a estado.

# REGLAS DE SEGURIDAD GENERALES

## **ADVERTENCIA:**

**GUARDE ESTAS INSTRUCCIONES.** Para reducir el riesgo de incendio o explosión, descarga eléctrica, y la lesiones a personas, lea y comprenda todas instrucciones incluidas en este manual. Familiarícese con todos los controles y la forma correcta de utilizar la equipo.

## **LEA TODAS LAS INSTRUCCIONES.**

- **FAMILIARÍCESE CON SU HERRAMIENTA ELÉCTRICA.** Lea cuidadosamente el manual del operador. Aprenda sus usos y limitaciones, así como los posibles peligros específicos de esta herramienta.

**ADVERTENCIA:** Para reducir el riesgo de estallido o explosión:

- No rocíe materiales inflamables ni combustibles cerca de llamas abiertas o fuentes de ignición, como cigarrillos, motores y equipos eléctricos.
- No rocíe ni limpie con líquidos que tengan un punto de inflamación menor a 60 °C (140 °F) las unidades diseñadas para ser utilizadas sólo con materiales a base de agua o de un tipo de alcohol mineral con un punto de inflamación mínimo de 60 °C (140°F).
- La pintura o el solvente que fluyen a través del equipo pueden generar electricidad estática. La electricidad estática produce un riesgo de incendio o explosión en presencia de emanaciones de pintura o de solvente. Todas las partes del sistema rociador, incluida la bomba, el conjunto de mangueras, el rociador y los objetos situados dentro y alrededor del área de rociado, deberán tener una descarga a tierra adecuada para protegerlas contra descargas de estática y chispas.
- Use únicamente mangueras de alta presión para rociadores de pintura a presión de materiales conductores o con conexión a tierra especificadas por el fabricante.
- Verifique que todos los contenedores y sistemas de recolección tengan conexión a tierra para evitar descargas estáticas.
- Conecte la unidad a una toma de corriente con conexión a tierra y utilice cordones de extensión con conexión a tierra. No utilice un adaptador de 3 a 2.
- No use una pintura o un solvente que contenga hidrocarburos halogenados.
- Mantenga el área de rociado bien ventilada. Mantenga una buena circulación de aire fresco en el área. Mantenga el conjunto de la bomba en un área bien ventilada. No rocíe el conjunto de la bomba.
- No fume en el área donde se área de rociado.
- No utilice interruptores de luz, motores o productos similares que produzcan chispas en el área donde se área de rociado.
- Mantenga el área limpia y sin contenedores de pintura o solvente, trapos y otros materiales inflamables.
- Conozca el contenido de las pinturas y los solventes que se rocían. Lea todas las hojas de datos sobre la seguridad de materiales (MSDS) y las etiquetas de los contendores que se proveen con las pinturas y los solventes. Siga las instrucciones de seguridad del fabricante de la pintura y el solvente.
- Tenga a mano un extinguidor de incendios que funcione.

**ADVERTENCIA:** Para reducir el riesgo de inyección:

- No apunte la boquilla ni rocíe en dirección a personas ni animales.
- Mantenga las manos y demás partes del cuerpo lejos de la descarga. Por ejemplo, no intente detener fugas con ninguna parte del cuerpo.
- Use siempre la protección para la punta de la boquilla. No rocíe sin la protección para la punta de la boquilla.
- Utilice únicamente una punta de rociado especificada por el fabricante.
- Tenga precaución al limpiar y cambiar las puntas de rociado. En el caso en que la punta de rociado se obstruya durante el rociado, siga las instrucciones del fabricante para apagar la unidad y aliviar la presión antes de retirar la punta de rociado para limpiarla.
- No deje la unidad conectada a la corriente ni bajo presión mientras está desatendida. Cuando no use la unidad, apáguela y alivie la presión de conformidad con las instrucciones del fabricante.
- El rociado a alta presión puede inyectar toxinas en el cuerpo y provocar lesiones corporales graves. En el caso en que se produzca la inyección, busque atención médica de inmediato.
- Inspeccione que las mangueras y las piezas no muestren señales de daño. Reemplace cualquier manguera o pieza dañada.
- Este sistema es capaz de producir 19 305,32 kPa (2 800 psi). Utilice solamente piezas o accesorios de repuesto especificados por el fabricante y que tengan una capacidad nominal de 20 684,84 kPa (3 000 psi), como mínimo.
- Accione siempre el seguro del gatillo cuando no esté rociando. Verifique que el seguro del gatillo esté funcionando correctamente.
- Antes de hacer funcionar la unidad, verifique que todas las conexiones sean seguras.
- Sepa cómo detener la unidad rápidamente. Familiarícese completamente con los controles.
- Para uso doméstico únicamente.

**ADVERTENCIA:** Para reducir el riesgo de lesiones:

- Cuando esté pintando, use siempre protección ocular adecuada con la marca de cumplimiento de la norma ANSI Z87.1 y un respirador o máscara.
- No utilice la unidad ni rocíe cerca de los niños. Mantenga alejados a los niños del equipo en todo momento.
- No se estire demasiado ni se pare sobre un soporte inestable. Mantenga los pies bien asentados y el equilibrio en todo momento.
- Permanezca alerta y preste atención a lo que esté haciendo.
- No use la unidad si está cansado o se encuentra bajo los efectos de alguna droga o del alcohol.
- No retuerza ni doble en exceso la manguera.
- No exponga la manguera a temperaturas o presiones que excedan las especificadas por el fabricante.
- No use la manguera como un elemento de fuerza para tirar del equipo o levantarlo.




# REGLAS DE SEGURIDAD ESPECÍFICAS

- **Mantenga las protecciones en su lugar** y en buenas condiciones de trabajo. Nunca utilice la herramienta con ninguna de las protecciones o cubiertas quitadas. Asegúrese de que todas las protecciones estén funcionando de forma correcta antes de utilizar la unidad.
- **Para reducir el riesgo de lesiones**, mantenga a alejados a niños y demás circunstantes. Todos los presentes deben llevar puestos anteojos de seguridad y permanecer a una distancia segura del área de trabajo.
- **Mantenga alejadas del área de trabajo a todas las personas**, particularmente a los niños de corta edad, y también a las mascotas.
- **Use la herramienta adecuada a la tarea.** No fuerce la herramienta ni ningún accesorio a efectuar tareas para las que no están hechos. No la use para propósitos no indicados en las instrucciones.
- **No accione el equipo cuando esté descalzo o al llevar puestas sandalias o calzado liviano similar.** Use calzado de seguridad que le proteja sus pies y mejore su postura en superficies resbaladizas.
- **Tenga suma precaución para evitar resbalarse o caer.**
- **Siempre use gafas de seguridad con protección lateral.** Los anteojos de uso diario tienen lentes resistentes a golpes únicamente; **NO** son anteojos de seguridad.
- **Utilice sólo accesorios recomendados.** El empleo de accesorios inadecuados puede presentar riesgos de lesiones.
- **Siga las instrucciones de la mantenimiento especificadas en este manual.**
- **Inspeccione las piezas dañadas.** Antes de seguir utilizando la herramienta, es necesario inspeccionar cuidadosamente toda protección o pieza dañada para determinar si funcionará correctamente y desempeñará la función a la que está destinada. Verifique la alineación de las partes móviles, que no haya atoramiento de las mismas, que no haya piezas rotas, el montaje de las piezas y cualquier otra condición que pudiera afectar su funcionamiento. Toda protección o pieza que esté dañada debe repararse apropiadamente o reemplazarse en un centro de servicio autorizado.
- **Nunca deje desatendida ninguna herramienta en funcionamiento. Apague la herramienta.** No se aleje de la herramienta hasta no verla completamente detenida.
- **Siga las recomendaciones del fabricante para cargar, descargar, transportar y guardar la máquina en forma segura.**
- **Familiarícese completamente con los controles.** Aprenda a detener la máquina y a liberar rápidamente la presión.
- **Mantenga la herramienta seca, limpia y libre de aceite y grasa.** Siempre utilice un paño limpio para la limpieza de la unidad. Nunca utilice fluidos para frenos, gasolina, productos a base de petróleo ni solventes para limpiar la herramienta.
- **No utilice la herramienta si el interruptor no apaga.** Lleve todo interruptor defectuoso a un centro de servicio autorizado para que lo reparen.
- **Antes de limpiar, reparar o inspeccionar la máquina**, apague el motor y cerciórese de que se hayan detenido todas las partes en movimiento.
- **Evite tener un entorno de trabajo peligroso.** No utilice herramientas eléctricas en lugares húmedos o mojados ni las esponja a la lluvia. Mantenga bien iluminada el área de trabajo.
- **Nunca dirija un chorro de agua en dirección de personas o animales, ni hacia dispositivos eléctricos.**
- **Nunca ponga en marcha la máquina** si se ha formado hielo en cualquier parte del equipo.
- **ADVERTENCIA: Los chorros de alta presión pueden ser peligrosos si se utilizan indebidamente.** Nunca dirija el chorro a personas, animales, dispositivos eléctricos ni a la máquina misma.
- **Evite el contacto con las partes calientes de la unidad.**
- **Antes de cada uso, inspeccione los pernos y las tuercas** para verificar que están apretados. Una tuerca o perno sueltos pueden causar problemas graves en el motor.
- **Antes de guardar deje que se enfríe el producto.**
- **Guarde la unidad en un lugar frío y bien ventilado**, a una distancia segura de todo equipo generador de chispas o llamas.
- **Al dar servicio a la unidad, sólo utilice piezas de repuesto idénticas.** El empleo de piezas diferentes puede causar un peligro o dañar el producto.
- **Nunca utilice el rociador sin la punta de rociado instalada.**
- **Una lesión por inyección puede ocasionar una posible amputación.** Consulte a un médico de inmediato.
- **Nunca coloque la mano delante de la punta de rociado cuando use la unidad.** Los guantes no siempre brindan protección contra lesiones por inyección.
- **Cuando utilice la unidad, use ropa de protección que no permita que la pintura entre en contacto con la piel ni el cabello, junto con una máscara o un respirador.** Las pinturas, los solventes y otros materiales pueden ser dañinos si se inhalan o si entran en contacto con el cuerpo.
- **Siempre desenchufe el estación de pintura, apague la unidad y libere presión antes de dar servicio a la unidad, limpiar la punta o la protección, cambiar la punta o dejar desatendida la unidad.**
- **El plástico puede provocar chispas. Nunca utilice plástico para cercar un área de rociado.** No use protecciones de plástico al rociar materiales inflamables.
- **No rocíe en exteriores en días ventosos.**
- **No intente limpiar ni destapar la punta de rociado con el dedo.**
- **Asegúrese de que esté en buen estado el cordón de extensión. Al utilizar un cordón de extensión, utilice uno del suficiente calibre para soportar la corriente que consume el producto. Se recomienda que los conductores sean de calibre 14 (A.W.G.) por lo menos, para un cordón de extensión de 50 pies (15 metros) de largo o menos. No se recomienda utilizar un cordón de más de 100 pies (30 metros) de largo. Si tiene dudas, utilice un cordón del calibre más grueso siguiente. Cuanto menor es el número de calibre, mayor es el grueso del cordón.** Un cordón de un calibre insuficiente causa una caída en el voltaje de línea, y produce recalentamiento y pérdida de potencia.
- **Guarde estas instrucciones.** Consúltelas frecuentemente y utilícelas para instruir a otros usuarios. Si presta a alguien esta herramienta, facilítele también las instrucciones








# SÍMBOLOS

Las siguientes palabras de señalización y sus significados tienen el objeto de explicar los niveles de riesgo relacionados con este producto.

SÍMBOLO	SEÑAL	SIGNIFICADO
	<b>PELIGRO:</b>	Indica una situación peligrosa inminente, la cual, si no se evita, causará la muerte o lesiones serias.
	<b>ADVERTENCIA:</b>	Indica una situación peligrosa posible, la cual, si no se evita, podría causar la muerte o lesiones serias.
	<b>PRECAUCIÓN:</b>	Indica una situación potencialmente peligrosa la cual, si no se evita, puede causar lesiones leves o moderadas.
	<b>AVISO:</b>	(Sin el símbolo de alerta de seguridad) Indica información importante no relacionada con ningún peligro de lesiones, como una situación que puede ocasionar daños físicos.

Es posible que se empleen en este producto algunos de los siguientes símbolos. Le suplicamos estudiarlos y aprender su significado. Una correcta interpretación de estos símbolos le permitirá utilizar mejor y de manera más segura el producto.

SYMBOL	NAME	DESIGNATION/EXPLANATION
	Alerta de seguridad	Indica un peligro posible de lesiones personales.
	Lea manual del operador	Para reducir el riesgo de lesiones, el usuario debe leer y comprender el manual del operador.
	Protección ocular	Siempre póngase protección ocular con protección lateral con la marca de cumplimiento de la norma ANSI Z87.1.
	Riesgo de inyección	Para reducir el riesgo de inyección o lesiones, nunca dirija un chorro de líquido hacia personas o mascotas ni ponga ninguna parte del cuerpo en el chorro. Las fugas presentes en mangueras y adaptadores también pueden causar lesiones por inyección. No sujete las mangueras ni los adaptadores.
V	Voltios	Voltaje
PSI	Libras por pulgada cuadrada	Presión del líquido
GPM	Galones por minuto	Cantidad de líquido usada por minuto de uso continuo.
A	Amperios	Corriente
Hz	Hertz	Frecuencia (ciclos por segundo)
min	Minutos	Tiempo
~	Corriente alterna	Tipo de corriente
$n_0$	Velocidad en vacío	Velocidad de rotación, en vacío
	Herramienta Clase II	Fabricación con doble aislamiento
.../min	Por minuto	Revoluciones, carreras, velocidad superficial, órbitas, etc., por minuto

# ASPECTOS ELÉCTRICOS

## CABLES DE EXTENSIÓN

Sólo utilice cables de extensión de 3 conductores con clavijas de tres puntas y contactos de tres polos que acepten la clavija del cable de la herramienta. Si la herramienta eléctrica debe situarse a una distancia importante de la toma de corriente, asegúrese de que el cable de extensión que utilice tenga el grosor suficiente para soportar el consumo de corriente de la herramienta. Un cable de extensión de un grueso insuficiente causará caída del voltaje de la línea, además de producir pérdida de potencia y recalentamiento del motor. Basese en la tabla que se presenta abajo para calcular el calibre mínimo requerido de los conductores del cable de extensión. Solamente deben utilizarse cordones con forro redondo registrados en Underwriter's Laboratories (UL).

\*\*Amperaje (aparece en la placa de datos de la herramienta)

0-2.0 2.1-3.4 3.5-5.0 5.1-7.0 7.1-12.0 12.1-16.0

Longitud del cordón	Calibre conductores (AWG)					
	0-2.0	2.1-3.4	3.5-5.0	5.1-7.0	7.1-12.0	12.1-16.0
25'	16	16	16	16	14	14
50'	16	16	16	14	14	12
100'	16	16	14	12	10	—

\*\*Se usa en los circuitos de calibre 12, de 20 amperes.

**NOTA:** AWG = American Wire Gauge

Al trabajar con la herramienta a la intemperie, utilice un cable de extensión fabricado para uso en exteriores. Tal característica está indicada con las letras "W-A" o "W" en el forro del cable.

Antes de utilizar un cable de extensión, inspecciónelo para ver si tiene conductores flojos o expuestos y aislamiento cortado o gastado.

### ADVERTENCIA:

Mantenga el cable de extensión fuera del área de trabajo. Al trabajar con una herramienta eléctrica, coloque el cable de tal manera que no pueda enredarse en la madera, herramientas ni otros obstáculos. La falta de atención a esta advertencia puede redundar en lesiones graves.

### ADVERTENCIA:

Inspeccione los cables de extensión cada vez antes de usarlos. Si están dañados, reemplácelos de inmediato. Nunca utilice la herramienta con un cable dañado, ya que si toca la parte dañada puede sufrir una descarga eléctrica, con las consecuentes lesiones graves.

## CONEXIÓN ELÉCTRICA

Esta herramienta está impulsada por un motor eléctrico fabricado con precisión. Debe conectarse únicamente a **una línea de voltaje de 120 V, de corriente alterna (corriente normal para uso doméstico), 60 Hz**. No utilice esta herramienta con corriente continua (c.c.). Una caída considerable de voltaje causa pérdida de potencia y recalentamiento del motor. Si la sierra no funciona al conectarla en una toma de corriente, vuelva a revisar el suministro de corriente.

## VELOCIDAD Y CABLEADO

La velocidad en vacío de esta herramienta es de 4800 rpm aproximadamente. Esta velocidad no es constante y disminuye durante el corte o con un voltaje bajo. En cuanto al voltaje, el cableado dentro del taller es tan importante como la potencia nominal del motor. Una línea pensada sólo para iluminación no puede alimentar el motor de una herramienta eléctrica. El cable que tiene el calibre suficiente para una distancia corta, será demasiado delgado para una distancia mayor. Una línea que alimenta una herramienta eléctrica puede no ser suficiente para alimentar dos o tres herramientas.

## INSTRUCCIONES DE CONEXIÓN A TIERRA

Este producto debe conectarse a tierra. En caso de un mal funcionamiento o desperfecto, la conexión a tierra brinda a la corriente eléctrica una trayectoria de mínima resistencia para disminuir el riesgo de una descarga eléctrica. Esta herramienta está equipada de un cordón eléctrico con un conductor y una clavija de conexión a tierra para equipo. La clavija debe conectarse en una toma de corriente igual que esté instalada y conectada a tierra correctamente, de conformidad con los códigos y reglamentos de la localidad.

No modifique la clavija suministrada. Si no entra en la toma de corriente, llame a un electricista calificado para que instale una toma de corriente adecuada.

### ADVERTENCIA:

Si se conecta de forma incorrecta el conductor de conexión a tierra del equipo puede presentarse un riesgo de descarga eléctrica. Si es necesaria la reparación o reemplazo del cordón eléctrico o de la clavija, no conecte el conductor de conexión a tierra a una terminal portadora de corriente. El conductor con aislamiento que tiene una superficie exterior verde con o sin tiras amarillas es el conductor de conexión a tierra del equipo.

Consulte a un electricista calificado o técnico de servicio si no ha comprendido completamente las instrucciones de conexión a tierra o si no está seguro si la herramienta está bien conectada a tierra. Repare o reemplace de inmediato todo cordón dañado o gastado. Este producto se debe usar con un circuito de 120 V nominales y tiene una clavija de conexión a tierra similar a la clavija que se muestra en la figura 1. Conecte el producto únicamente a una toma de corriente que tenga la misma configuración que la clavija. No use un adaptador con este producto.

Este producto debe utilizarse conectada a un circuito con una toma de corriente como la mostrada en la figura 1. También dispone de una patilla de conexión a tierra como la mostrada.

# CARACTERÍSTICAS

## ESPECIFICACIONES DEL PRODUCTO

Caudal.....	0,91 lpm (0.24 GPM)
Presión .....	5 515,81 -19 axle5,32 kPa (800 - 2800 PSI)
Corriente de entrada .....	120 V, sólo corr. alt., 60 Hz, 7 A

## CONOZCA SU ESTACIÓN DE PINTURA

Vea la figura 2, página 17.

El uso seguro que este producto requiere la comprensión de la información impresa en la herramienta y en el manual del operador así como ciertos conocimientos sobre el proyecto a realizar. Antes de usar este producto, familiarícese con todas las características de funcionamiento y normas de seguridad.

## MANGUERA DE ALTA PRESIÓN DE 7,62 m (25 PIES)

La estación de pintura incluye una manguera de alta presión de 7,62 m (25 pies) para alcanzar distancias mayores con el rociador o el rodillo con empuñadura de pistola sin tener que mover la estación de pintura.

## BOMBA DE PISTONES DE 19 305,32 kPA (2 800 PSI)

Mantiene la presión, según sea necesario, para rociar y utilizar el rodillo.

## LIBERACIÓN RÁPIDA DE LA VÁLVULA

La pintura seca u otros desechos pueden obstruir la válvula de retención e impedir que la unidad se cebé correctamente. Presionar el botón de liberación de válvula manual de la válvula antes de cada arranque hace que la pintura fluya limpiamente a través de la válvula de retención, y permite un encendido rápido y fácil de la unidad.

## LUGAR PARA GUARDAR ACCESORIOS EN LA UNIDAD

La estación de pintura incluye un lugar para guardar accesorios en la unidad para acceder con comodidad al rociador con empuñadura de pistola, a las puntas de rociado, al adaptador para manguera y a la manguera de alta presión.

## CONJUNTO DEL RODILLO PARA PINTAR

El rodillo para pintar acepta cualquier rodillo de 228,6 mm (9 pulg.) con pelo de hasta 19,05 mm (3/4 pulg.).

## ROCIADOR CON EMPUÑADURA DE PISTOLA

El rociador con empuñadura de pistola proporciona un acabado parejo.

## PUNTAS DE ROCIADO INVERTIBLES

La unidad incluye dos puntas de rociado invertibles que sirven para una amplia variedad de proyectos y evitan que la pintura forme obstrucciones.

## DISCO DE CONTROL DE PRESIÓN ALTA/BAJA

El control de presión variable permite adaptar la presión fácilmente al material que se está aplicando.

- La presión más baja se utiliza para el cebado, la limpieza y para materiales de menor espesor o aplicaciones con rodillo.
- La presión más alta es ideal para aplicaciones de látex y de rociado.

# ARMADO

## DESEMPAQUETADO

Este producto requiere armarse.

- Extraiga cuidadosamente de la caja la producto y los accesorios. Asegúrese de que estén presentes todos los artículos enumerados en la lista de empaquetado.



### ADVERTENCIA:

No utilice este producto si alguna pieza incluida en la lista de empaquetado ya está ensamblada al producto cuando lo desempaqueta. El fabricante no ensambla las piezas de esta lista en el producto. Éstas deben ser instaladas por el usuario. El uso de un producto que puede haber sido ensamblado de forma inadecuada podría causar lesiones personales graves.

- Inspeccione cuidadosamente la producto para asegurarse de que no haya sufrido ninguna rotura o daño durante el transporte.

- No deseche el material de empaquetado hasta que haya inspeccionado cuidadosamente la producto y la haya utilizado satisfactoriamente.
- Si hay piezas dañadas o faltantes, le suplicamos llamar al 1-800-525-2579, donde le brindaremos asistencia.

## LISTA DE EMPAQUETADO

Vea la figura 3, página 16.

Descripción	Cant.
Herramienta de estación de pintura con tapa de recipiente de pintura .....	1
Rociador con empuñadura de pistola con protección para la punta de la boquilla.....	1
Cabezal del rodillo.....	1
Mango del rodillo.....	1
Rodillo de 228,6 mm (9 pulg.) .....	1

# ARMADO

Tapa del rodillo .....	2
Rueda.....	2
Eje.....	2
Pasador del enganche .....	2
Manguera de alta presión con conexión a tierra de 7,62 m (25 pies).....	1
Punta de rociado invertible 515 .....	1
Accesorio para manguera de jardín .....	1
Manual del operador (no se ilustra).....	1

## ADVERTENCIA:

Si falta o está dañada alguna pieza, no utilice este producto sin haber reemplazado la pieza. Usar este producto con partes dañadas o faltantes puede causar lesiones serias al operador.

## ADVERTENCIA:

No intente modificar esta herramienta ni hacer accesorios no recomendados para ella. Cualquier alteración o modificación constituye un uso indebido, y puede crear una situación peligrosa que culmine en lesiones corporales graves.

## ADVERTENCIA:

No conecte la unidad a la toma de corriente antes de terminar de armarla. De lo contrario, la unidad puede ponerse en marcha accidentalmente, con el consiguiente riesgo de lesiones graves.

## HERRAMIENTAS NECESARIAS

Llave ajustable (2), llave hexagonal de 2 mm

## INSTALACIÓN DE LAS RUEDAS

Vea la figura 4, página 17.

Para fijar las ruedas a la base:

- Localice el conjunto del eje.
- Deslice el eje dentro del agujero de la rueda.
- Levantando levemente la estación de pintura, deslice el eje, la rueda y la pequeña arandela dentro del agujero de montaje de la rueda en la base de la máquina.
- Empuje el pasador de enganche dentro del agujero en el extremo del eje para fijar el conjunto.
- Repita el proceso con la segunda rueda.

## PLEGADO DEL MANGO

Vea la figura 5, página 17.

- **Para levantar el mango:** Tire de la empuñadura hacia arriba y gire la perilla en sentido horario para ajustar.
- **Para bajar el mango (para guardar la unidad):** Gire la perilla de liberación de la empuñadura en sentido antihorario para desajustar la empuñadura y plegarla.

## ADVERTENCIA:

Nunca use el mango para levantar el rociador de pintura. La inobservancia de esta advertencia podría causar lesiones personales serias.

## CONEXIÓN DE LA MANGUERA DE ALTA PRESIÓN/ROCIADOR CON EMPUÑADURA DE PISTOLA

Vea la figura 6, página 17.

**Para conectar la manguera de alta presión a la estación de pintura:**

- Atornille el collar de la manguera de alta presión a la toma de la manguera para rociar ubicada en la bomba.
- Apriételo firmemente con una llave ajustable.

**Para conectar el rociador con empuñadura de pistola a la manguera de alta presión:**

- Atornille el collar de la manguera de alta presión al rociador con empuñadura de pistola girando el collar de la manguera hacia la derecha.
- Use una llave ajustable para sujetar la tuerca al rociador con empuñadura de pistola y otra para girar y apretar la tuerca en el extremo de la manguera y apretarla firmemente.

## INSTALACIÓN DE LA PUNTA DE ROCIADO INVERTIBLE Y LA PROTECCIÓN PARA LA PUNTA DE LA BOQUILLA EN EL ROCIADOR CON EMPUÑADURA DE PISTOLA

Vea la figura 7, página 17.

Vea las instrucciones para el operador sobre lavado, cebado y limpieza **antes** de instalar la protección para la punta de la boquilla y la punta de rociado. Tenga en cuenta todas las advertencias sobre el rociador con empuñadura de pistola y la posibilidad de inyección.

- Gire el tornillo de mariposa de seguro de apagado hacia la izquierda para asegurar el gatillo del rociador.
- Instale el asiento y la tapa de la boquilla dentro de la protección para la punta de la boquilla.
- Enrosque el conjunto de la protección para la punta de la boquilla en el rociador y apriételo firmemente.
- Seleccione la punta de rociado y empújela firmemente dentro de la protección para la punta de la boquilla.
- Mantenga el gatillo del rociador con empuñadura de pistola con el seguro cuando no esté en uso.

## INSTALACIÓN DEL RODILLO PARA PINTAR

Vea la figura 8, página 17.

- Coloque las tapas del rodillo en cada extremo del rodillo para pintar.
- Alinee los pasadores en el extremo de cada tapa del rodillo, con los agujeros dentro del cabezal del rodillo. Empuje hacia afuera del lado del cabezal del rodillo hasta que el rodillo entre en su lugar.

# FUNCIONAMIENTO

## **ADVERTENCIA:**

No permita que su familiarización con este producto le vuelva descuidado. Tenga presente que un descuido de un instante es suficiente para causar una lesión grave.

## **ADVERTENCIA:**

Siempre póngase protección ocular con protección lateral con la marca de cumplimiento de la norma ANSI Z87.1. La inobservancia de esta advertencia podría ocasionar la entrada de fluidos en sus ojos y provocar lesiones graves.

## **ADVERTENCIA:**

No utilice ningún aditamento o accesorio no recomendado por el fabricante de esta herramienta. El empleo de aditamentos o accesorios no recomendados podría causar lesiones serias.

## ACCESORIOS

Todos los accesorios que se usan con este producto deben tener una capacidad nominal mínima de 20 684,84 kPa (3,000 psi). Antes de usar cualquier accesorio con este producto, asegúrese de que sea compatible y apto.

## **ADVERTENCIA:**

Riesgo de incendio o explosión. El área de rociado debe estar bien ventilada y lejos de chispas o llamas. La inobservancia de esta advertencia puede causar lesiones serias.

## USOS

Este producto puede emplearse para el fines enumerado abajo:

- Para aplicación exterior de pintura y tinte en terrazas, muebles de exteriores, cercas y para utilizar el rodillo en paredes interiores/exteriores.

## **ADVERTENCIA:**

Para reducir el riesgo de inyección, NUNCA cambie la punta de rociado sin colocar el seguro del rociador y NUNCA apunte el rociador hacia ninguna parte del cuerpo, personas ni hacia la unidad misma. En el caso de inyección en la piel, busque atención médica de inmediato. La inobservancia de esta indicación podría causar lesiones personales serias.

## COLOCACIÓN DEL SEGURO AL ROCIADOR CON EMPUÑADURA DE PISTOLA

Ve la figura 9, página 17.

Siempre coloque el seguro del gatillo del rociador con empuñadura de pistola cuando deje de rociar para evitar que el rociador se golpee o se accione accidentalmente y cause la inyección.

- Gire el tornillo de mariposa de seguro de apagado a la izquierda para asegurar el gatillo del rociador.

- Gire el tornillo de mariposa de seguro de apagado a la derecha para desasegurar el gatillo del rociador.

## PROCEDIMIENTO DE ALIVIO DE PRESIÓN

Siga siempre este procedimiento al apagar la estación de pintura por cualquier razón. Este procedimiento alivia la presión de la manguera de alta presión.

- En el rociador con empuñadura de pistola, gire el tornillo de mariposa de seguro de apagado a la izquierda para asegurar el gatillo del rociador
- Coloque el interruptor de ENCENDIDO/APAGADO en la posición de APAGADO.
- Coloque la palanca de cebado/rociado en la posición de CEBADO, como se muestra en la figura 10. Esto suelta bomba presión.
- Desasegure el gatillo del rociador, apunte hacia la pared interior del contenedor de pintura y libere la pintura o el tinte que no haya utilizado dentro del contenedor. Esto suelta presión en la manguera y rociador con empuñadura de pistola.
- Gire el tornillo de mariposa de seguro de apagado a la izquierda para asegurar el gatillo del rociador.
- Deje la palanca de cebado/rociado en la posición de CEBADO hasta estar listo para rociar de nuevo.

## LAVADO DE LA ESTACIÓN DE PINTURA

Antes de usar su nueva estación de pintura, antes de comenzar un nuevo proyecto o al cambiar de color, es importante lavar bien la estación de pintura para retirar todo el líquido acumulado, el líquido de limpieza usado antes o el material que haya quedado en el sistema. Siga las instrucciones para la Limpieza de la estación de pintura antes de comenzar cualquier proyecto.

## MONTAJE Y CEBADO

Ve las figuras 10 a 12, páginas 17-18.

El usuario debe cebar la bomba y el rociador antes de comenzar a rociar o utilizar el rodillo.

El rociador de pintura está diseñado para adaptarse a diferentes tamaños de recipiente. Puede usar un recipiente de 1 galón cuadrado, 1 galón, 2 galones o 5 galones.

Llene el contenedor con la pintura o el tinte deseado. Coloque la tapa en el contenedor.

- Retire la protección para la punta de la boquilla y la punta de rociado del rociador con empuñadura de pistola.
- Coloque el tubo de entrada en la cubeta de pintura.
- Monte el tubo de retorno sobre el contenedor de desechos para lavar y expulsar el material de desecho.
- Coloque la palanca de cebado/rociado en la posición de CEBADO.
- Coloque el control de presión ALTA/BAJA en la posición de presión BAJA.
- Presione y suelte el botón de liberación de válvula manual para asegurarse de que la válvula de retención no esté obstruida.
- Enchufe la estación de pintura.
- Coloque el interruptor de ENCENDIDO/APAGADO en la posición de ENCENDIDO.
- Cuando el material comience a fluir a través del tubo de retorno, coloque el tubo de retorno dentro del contenedor de pintura y sujételo al tubo de entrada.

# FUNCIONAMIENTO

- Apunte el rociador con empuñadura de pistola (sin la protección ni la punta de rociado) dentro del contenedor de desechos.
  - Coloque la palanca de cebado/rociado en la posición de ROCIADO.
  - Desasegure el gatillo del rociador.
  - Gire el control de presión ALTA/BAJA de la posición BAJA a la posición ALTA, hasta que arranque la bomba.
  - Rocíe dentro del contenedor de desechos hasta expulsar todo el aire, el agua y el líquido de limpieza y salga pintura únicamente.
- NOTA:** Cuando el motor se apaga, esto indica que la bomba y las mangueras están bajo presión. Si el motor continúa funcionando, vuelva a cebarlo colocando la palanca de cebado/rociado en la posición de CEBADO.
- Gire el tornillo de mariposa de seguro de apagado a la izquierda para asegurar el gatillo del rociador.
  - Coloque el interruptor de ENCENDIDO/APAGADO en la posición de APAGADO.
  - Vuelva a colocar la protección para la punta de la boquilla y la punta de rociado invertible en el rociador con empuñadura de pistola (vea **Selección de la punta de rociado**)
  - La unidad está lista para rociar.

## SELECCIÓN DE LA PUNTA DE ROCIADO

Vea la figura 13, página 18.

Las puntas de rociado vienen con diversos tamaños de agujero y anchos de abanico.

La unidad incluye una boquilla de rociado reversible con un tamaño de agujero de 0,381 mm (0,015 pulg.) que son útiles para diversas aplicaciones. La punta de rociado 515 tiene un ancho de abanico de entre 254 mm (10 pulg.) y 304,8 mm (12 pulg.).

**TAMAÑO DEL AGUJERO:** El tamaño del agujero de la punta de rociado determina el caudal, es decir, la cantidad de pintura que se descarga del rociador.

Un tamaño de agujero más grande es mejor para materiales de mayor espesor. Un tamaño de agujero más pequeño es mejor para materiales de menor espesor.

**TAMAÑO DE ABANICO:** El ancho de abanico determina el tamaño del patrón de rociado cuando se sostiene el rociador a, aproximadamente, 304,8 mm (12 pulg.) de la superficie que se desea pintar.

Un ancho de abanico estrecho proporciona una cobertura de material de mayor espesor y es más apropiado para áreas pequeñas y reducidas.

Un ancho de abanico amplio brinda una cobertura de material de menor espesor y proporciona una mejor cobertura en áreas grandes y extensas.

**NÚMEROS DE LA PUNTA DE ROCIADO:** Al seleccionar la punta de rociado, los últimos tres números del número de la punta de rociado contienen la información sobre el tamaño del agujero y el ancho del abanico.

Por ejemplo, si el número de la punta de rociado es 515, el 5, al duplicarlo, es el ancho de abanico aproximado de la pintura cuando se aplica a 304,8 mm (12 pulg.) de la superficie. Los últimos dos números, 15, expresan el tamaño del agujero en pulgadas. En este caso, 0,381mm (0,015 pulg.).

Tamaño de la punta de la manguera	CAPAS				
	Liviana		Media		Cargada
	Tintes	Es-maltes	Pinturas base	Pintura para interiores	Pintura para exteriores
0.011	•				
0.013	•	•			
0.015		•	•	•	
0.017			•	•	•
0.019			•	•	•
0.021					•

**DESGASTE DE LA PUNTA DE ROCIADO:** Es importante cambiar las puntas de rociado cuando se desgastan. Una punta de rociado desgastada provoca una aplicación de material y un acabado desparejos. Con el tiempo, el tamaño del agujero de la punta de rociado aumenta y el ancho de abanico de rociado disminuye.

Al usar pintura látex, las puntas de rociado deben cambiarse después de usar entre 56,78 l (15 gal.) y 151,4 l (40 gal.). Cuando use materiales a base de aceite, cambie las puntas de rociado después de usar entre 132,48 l (35 gal.) y 227,1 l (60 gal.).

Para prolongar la vida útil de sus puntas de rociado, use la configuración de presión más baja necesaria para aplicar una capa pareja de material.

### ADVERTENCIA:

Esta es una unidad de alta presión. Para reducir el riesgo de lesiones, el usuario debe leer y comprender el manual del operador. Para reducir el riesgo de inyección, no apunte el rociador a ninguna parte del cuerpo, a otra persona ni a la unidad misma. En el caso de inyección en la piel, busque atención médica de inmediato. La inobservancia de esta indicación podría causar lesiones personales serias.

## ROCIADO

Vea la figura 14, página 18.

- Asegúrese de que la superficie que se pintará no tenga polvo, suciedad ni grasa.
- Tape o cubra cualquier área que no deba ser pintada o teñida. Esté atento al viento que puede hacer que la pintura o el tinte se rocíen en áreas no deseadas. Utilice siempre protecciones de tela u otras cubiertas para proteger las áreas que no deban pintarse o teñirse.
- Seleccione la punta de rociado y asíéntela firmemente dentro de la protección para la punta de la boquilla. La flecha en la punta de rociado debe quedar orientada en la dirección de rociado.
- Enchufe la estación de pintura.
- Unidad de cebado. Siga las instrucciones de **Montaje y cebado**.

# FUNCIONAMIENTO

- Coloque el interruptor de ENCENDIDO/APAGADO en la posición de ENCENDIDO.
- Coloque la palanca de cebado/rociado en la posición de ROCIADO.
- Gire el control de presión ALTA/BAJA a la derecha hasta el icono de ROCIADO (presión ALTA). La presión puede ajustarse hasta alcanzar el patrón de rociado y la cobertura deseados.
- Desasegure el gatillo del rociador con empuñadura de pistola. Comience a rociar.  
**NOTA:** Si la punta de rociado se obstruye, gírela 180° y rocíe dentro del contenedor de desechos para despejar la obstrucción. Vuelva a colocar la punta de rociado en la posición de rociado y continúe rociando.
- Asegure el gatillo del rociador con empuñadura de pistola y siga el **Procedimiento de alivio de presión** cuando termine de rociar o se detenga por cualquier razón.

## CONSEJOS PARA PINTAR

Vea las figuras 15 a 16, página 18.

- Practique rociar sobre un pedazo de material de desecho para probar su patrón de rociado antes de comenzar. Si no puede lograr un buen patrón de rociado vea la sección **Corrección de problemas**.
- Para producir una capa pareja sobre toda la superficie:
  - Mantenga el rociador a una distancia pareja del área que esté rociando: aproximadamente, 304,8 mm (12 pulg.) desde la punta de rociado del rociador hasta la superficie que esté rociando.
  - Accione el rociador en pasadas rectas horizontales. No sostenga el rociador en ángulo. Esto genera una cobertura despareja.
  - Oprima el gatillo para comenzar con el rociado al inicio de la pasada y suéltelo cuando termine con la pasada. Para evitar la acumulación de material, no mantenga oprimido el gatillo cuando cambie a la siguiente pasada.
  - Pase una vez por cada pasada. Superponga las pasadas por la mitad para lograr una cobertura completa.
- Cuando termine, vuelva a colocar la pintura o el tinte que no haya utilizado en su contenedor original, y limpie bien el rociador

## PINTAR CON EL ACCESORIO DE RODILLO

Vea las figuras 17 a 18, páginas 18 y 19.

- **NOTA:** El rociador con empuñadura de pistola se usa para controlar el caudal de pintura que ingresa en el accesorio de rodillo. Tire del gatillo únicamente cuando necesite más pintura en el rodillo.
- Gire el tornillo de mariposa de seguro de apagado a la izquierda para asegurar el gatillo del rociador.
- Apague la estación de pintura y alivie la presión de rociado.
- Monte el rodillo de 228,6 mm (9 pulg.) dentro del cabezal del rodillo según la **Instalación del rodillo para pintar**.
- Retire la protección para la punta de la boquilla y la punta de rociado del rociador con empuñadura de pistola.
- Enrosque el mango del rodillo en el rociador (asegúrese de que la arandela de goma esté dentro del mango del rodillo antes de armarlo).
- Apriételo firmemente con una llave ajustable.
- Introduzca a presión el cabezal del rodillo en el mango del rodillo (asegúrese de que los pestillos estén totalmente trabados).
- Coloque el interruptor de ENCENDIDO/APAGADO en la posición de ENCENDIDO.
- Coloque el control de presión ALTA/BAJA en el icono de RODILLO (presión BAJA).

- Coloque la palanca de cebado/rociado en la posición de ROCIADO.
- Prima el gatillo. Una vez que el rodillo tenga pintura, suelte el gatillo, y oprímalo de nuevo únicamente cuando necesite más pintura.  
**NOTA:** No oprima el gatillo constantemente. Para obtener resultados óptimos, cada tres pasadas, tire del gatillo durante 1 segundo, suéltelo, y luego continúe pintando.
- Sujete el rodillo de empuñadura con una mano mientras sostiene el gatillo manejar con la otra mano. No fuerce el rodillo contra la superficie que está pintando.
- Para producir una capa pareja sobre toda la superficie:
  - Aplique pintura o tinte en un área de varios pies de ancho en dirección de zig-zag.
  - Pase el rodillo hacia atrás y hacia adelante repetidamente sobre la misma área hasta que toda el área quede cubierta y se borren las marcas del rodillo.
  - Si se necesitan capas adicionales, deje que la pintura o el tinte se sequen completamente entre capas.
- Cuando termine, asegure el gatillo del rociador con empuñadura de pistola y siga el **Procedimiento de alivio de presión**.
- Desenchufe la estación de pintura.



### ADVERTENCIA:

Para reducir el riesgo de incendio o explosiones: No use la unidad con líquidos inflamables (p. ej., decapante para pinturas, quitapinturas, limpiador para brochas, destilados de petróleo, diluyente de laca, trementina, acetona, gasolina, queroseno, etcétera). Use únicamente agua (para pinturas a base de agua) o diluyente de pintura de fórmula Klean Strip® Green Safer Paint Thinner (para pinturas o barniz a base de aceite).

## GUARDADO DURANTE LA NOCHE (HASTA 12 HORAS)

**NOTA:** Estas instrucciones son únicamente para pintura látex y materiales a base de agua. Si está usando materiales a base de aceite, consulte las secciones **Limpieza de la estación de pintura y Guardado de la unidad a largo plazo** para obtener instrucciones. Los tintes y los materiales a base de aceite no se mantienen durante un período prolongado.

- Asegure el rociador con empuñadura de pistola y siga el **Procedimiento de alivio de presión**.
- Coloque el interruptor de ENCENDIDO/APAGADO en la posición de APAGADO.
- Desenchufe la estación de pintura.
- Cierre la tapa del contenedor. Envuelva un paño húmedo alrededor de los tubos. Envuelva los tubos y el recipiente con plástico para sellarlos y evitar la entrada de aire.
- Envuelva el rociador con empuñadura de pistola con un paño húmedo y colóquelo en una bolsa de plástico. Selle la bolsa.
- Guárdelo por poco tiempo, fuera del alcance de la luz solar. Para guardarlo durante más tiempo, siga las instrucciones de Limpieza de la estación de pintura.

# FUNCIONAMIENTO

## LIMPIEZA DE LA ESTACIÓN DE PINTURA

Vea las figuras 19 a 20 página 19.

La solución que se utiliza para limpiar el rociador se determina según el tipo de material que se ha rociado. Para cualquier otro material que no sea látex use diluyente de pintura de fórmula Klean Strip® Green Safer Paint Thinner (para pinturas o barniz a base de aceite).

### AVISO:

Es importante limpiar bien la estación de pintura y el rociador con empuñadura de pistola después de cada uso o al cambiar de color de pintura. Dejar que la pintura o el tinte permanezcan en una herramienta sin uso durante un período prolongado puede provocar que sus mangueras se obstruyan y sus piezas móviles se agarroten.

- Utilice siempre protecciones de tela u otras cubiertas para proteger las áreas de posibles derrames.
- Asegure el rociador con empuñadura de pistola y siga el **Procedimiento de alivio de presión**.
- Desenchufe la estación de pintura.
- Retire la protección para la punta de la boquilla y la punta de rociado del rociador.
- Use el cepillo para limpiar de la punta de rociado para limpiar el material de los agujeros de las puntas de rociado.
- Sumerja la(s) punta(s) de rociado y la protección para la punta de la boquilla en agua (para pinturas a base de agua) o diluyente de pintura de fórmula Klean Strip® Green Safer Paint Thinner (para pinturas o barniz a base de aceite) y luego enjuague.
- Vuelva a colocar la pintura o el tinte que no haya utilizado en su contenedor original. Si está usando el contenedor de la estación de pintura, enjuáguelo con agua (para pinturas a base de agua) o con diluyente de pintura de fórmula blanca Klean Strip® (para pinturas o barniz a base de aceite). Vacíelo dentro del contenedor de desechos.
- Retire el filtro del tubo de entrada, sumérjalo en líquido de limpieza y enjuáguelo.
- Llene el contenedor de la estación de pintura con agua (para pinturas a base de agua) o con diluyente de pintura de fórmula Klean Strip® Green Safer Paint Thinner (para pinturas o barniz a base de aceite).

**NOTA:** Si está lavando o limpiando con agua o materiales a base de agua, puede resultar más fácil usar una manguera de jardín y el accesorio para manguera de jardín (incluido). Retire el filtro del tubo de entrada (1) y conecte el tubo de entrada a la manguera de jardín con el accesorio (2).

- Coloque el tubo de entrada en el contenedor de la estación de pintura.
- Coloque el tubo de retorno en el contenedor de pintura original.
- Coloque el contenedor de pintura original justo al lado del contenedor de desechos.
- Coloque la palanca de cebado/rociado en la posición de CEBADO.
- Gire el control de presión ALTA/BAJA a la izquierda hasta la posición de presión BAJA
- Coloque el interruptor de ENCENDIDO/APAGADO en la posición de ENCENDIDO.

La estación de pintura hará pasar el líquido de limpieza por el tubo de entrada, a través de la bomba y hacia afuera del tubo de retorno dentro de la cubeta de pintura. Mueva el tubo de retorno desde la cubeta de pintura hacia el contenedor de desechos tan pronto como el líquido de limpieza empiece a salir del tubo de retorno.

- Coloque la palanca de cebado/rociado en la posición de ROCIADO.

- Desasegure el gatillo del rociador con empuñadura de pistola.
- Apunte el rociador con empuñadura de pistola hacia el lado interior del contenedor de pintura original para eliminar la pintura del sistema y no desperdiciarla.
- Mueva el rociador con empuñadura de pistola desde la cubeta de pintura hacia el contenedor de desechos tan pronto como el líquido de limpieza empiece a salir por el rociador.
- Deje que el líquido circule por el sistema durante, al menos, 1 minuto (hasta que note que el líquido sale limpio).

**NOTA:** Si está usando el adaptador de la manguera de jardín, encienda la manguera de jardín y deje correr el agua a través del sistema hasta que el agua salga transparente.

- Deje el sistema en funcionamiento durante, aproximadamente, un minuto o hasta que el líquido de limpieza salga transparente.
- Coloque la palanca de cebado/rociado en la posición de CEBADO.
- Coloque el interruptor de ENCENDIDO/APAGADO en la posición de APAGADO.
- Desenchufe la estación de pintura.
- Deseche el agua sucia (o diluyente de pintura de fórmula Klean Strip® Green Safer Paint Thinner) de conformidad con las ordenanzas federales, estatales y locales.

## PARA LIMPIAR EL RODILLO PARA PINTAR:

- Utilice siempre protecciones de tela u otras cubiertas para proteger las áreas de posibles derrames.
- Desconecte el cabezal del rodillo del mango del rodillo y vierta la pintura o el tinte restantes del cabezal del rodillo y del mango del rodillo dentro del contenedor original.
- Limpie bien el rodillo y los accesorios sumergiéndolos y enjuagándolos en agua (para pinturas a base de agua) o diluyente de pintura de fórmula Klean Strip® Green Safer Paint Thinner (para pinturas o barniz a base de aceite).

## LIMPIEZA DEL FILTRO DEL ROCIADOR CON EMPUÑADURA DE PISTOLA

Vea la figura 22, página 19.

- Apague la estación de pintura usando el **Procedimiento de alivio de presión**.
- Desenchufe la estación de pintura.
- Verifique que el gatillo del rociador con empuñadura de pistola esté asegurado en la posición de apagado.
- Retire el rociador con empuñadura de pistola de la manguera de alta presión usando dos llaves ajustables.
- Desatornille el tornillo de cabeza hueca hexagonal y la tuerca de seguridad para soltar la protección del gatillo de la placa que se encuentra en la base del rociador.
- Con la llave, gire el mango a la izquierda y retírela.
- Retire el filtro del mango, teniendo en cuenta la dirección del filtro.
- Limpie bien el contenedor del filtro con agua (para pinturas a base de agua) o con diluyente de pintura de fórmula Klean Strip® Green Safer Paint Thinner (para pinturas o barniz a base de aceite).
- Si el filtro tiene algún agujero, cámbielo por un filtro nuevo. NUNCA perfora el filtro con ningún objeto.
- Vuelva a colocar el filtro en el mango, con el extremo cónico hacia abajo orientado a la parte trasera del rociador. El rociador no funcionará si está mal introducido en el mango.
- Vuelva a armar el rociador con empuñadura de pistola en orden inverso, y apriételo firmemente.



# MANTENIMIENTO

## **ADVERTENCIA:**

Al dar servicio a la unidad, sólo utilice piezas de repuesto idénticas. El empleo de piezas diferentes puede causar un peligro o dañar el producto.

## **ADVERTENCIA:**

Siempre use gafas de seguridad o anteojos protectores con protección lateral al usar herramientas eléctricas o al soplar el polvo con aire comprimido. Si la operación genera mucho polvo, también póngase una mascarilla contra el polvo.

## MANTENIMIENTO GENERAL

Evite el empleo de solventes al limpiar piezas de plástico. La mayoría de los plásticos son susceptibles a diferentes tipos de solventes comerciales y pueden resultar dañados. Utilice paños limpios para eliminar la suciedad, el polvo, el aceite, la grasa, etc.

## **ADVERTENCIA:**

No permita en ningún momento que fluidos para frenos, gasolina, productos a base de petróleo, aceites penetrantes, etc., lleguen a tocar las piezas de plástico. Las sustancias químicas pueden dañar, debilitar o destruir el plástico, lo cual a su vez puede producir lesiones corporales serias.

## GUARDADO DE LA UNIDAD A LARGO PLAZO

*Vea la figura 22, página 19.*

Cuando guarde la estación de pintura durante 16 horas o más, se recomienda una limpieza minuciosa.

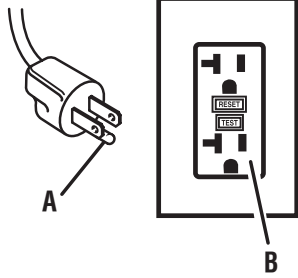
- Apague la estación de pintura.
- Limpie bien la estación de pintura y el rociador según las instrucciones.
- Asegúrese de que la máquina y los tubos no tengan agua ni líquido, ya que pueden congelarse.
- Enrolle la manguera de alta presión de 7,62 m (25 pies) y guárdela en la parte posterior de la herramienta con las correas de gancho y lazada.
- Guarde el tubo de entrada y el tubo de cebado en el contenedor de pintura de 13,25 l (3,5 gal.). Guarde el filtro y el rociador en una bolsa de plástico y séllela.
- Pliegue el mango por la parte frontal de la herramienta.

# CORRECCIÓN DE PROBLEMAS

PROBLEMA	CAUSA	POSIBLE SOLUCIÓN
El motor no funciona	<p>La estación de pintura no está enchufada</p> <p>El interruptor de encendido/apagado está en la posición de APAGADO</p> <p>La estación de pintura se ha apagado mientras estaba bajo presión</p> <p>No llega corriente desde la toma de corriente</p> <p>El cordón de extensión está dañado o tiene voltaje bajo</p> <p>Se ha quemado un fusible de la estación de pintura</p> <p>El motor no está funcionando bien</p>	<p>Asegúrese de que la unidad esté enchufada</p> <p>Coloque el interruptor de ENCENDIDO/APAGADO en la posición de ENCENDIDO</p> <p>Coloque la perilla de presión alta/baja en la presión máxima o alivie la presión colocando la palanca de cebado/rociado en Cebado</p> <p>Pruebe el voltaje del suministro de corriente</p> <p>Reemplace el cordón de extensión</p> <p>Comuníquese con un centro de servicio autorizado</p> <p>Comuníquese con un centro de servicio autorizado</p>
La configuración de presión es demasiado baja	El control de presión ALTA/BAJA está configurado demasiado alto	Gire el control de presión ALTA/BAJA hacia la derecha
La bomba no cebado	<p>La válvula de cebado/rociado se encuentra en la posición Spray (Rociado)</p> <p>El tamiz de entrada está obturado o el tubo de admisión no está sumergido</p> <p>La bola de comprobación de la válvula de entrada está atorada</p> <p>El tubo de admisión tiene una sueltas</p>	<p>Lleve la palanca Prime/Spray (Cebado/Rociado) a la posición Prime (Cebado)</p> <p>Limpie los residuos del tamiz de entrada y asegúrese de que el tubo de admisión se encuentre en el fondo del cubo de pintura</p> <p>Presione botón de liberación de válvula manual</p> <p>Extraiga el tubo de admisión y coloque un lápiz en el interior de la sección de entrada para desplazar la bola, dejando que la bomba cebe correctamente</p> <p>Apriete el tubo de admisión con un destornillador de cabeza plana</p>
La estación de pintura se enciende pero no circula pintura cuando la palanca de cebado/rociado está colocada en Cebado	<p>El contenedor de pintura está vacío o el tubo de entrada no está completamente sumergido en líquido</p> <p>El filtro de succión está obstruido</p> <p>La válvula de Cebado/Rociado está obstruida</p>	<p>Llene el contenedor de pintura con material y sumerja el tubo de entrada en el material</p> <p>Limpie el filtro de succión</p> <p>Comuníquese con un centro de servicio autorizado</p>

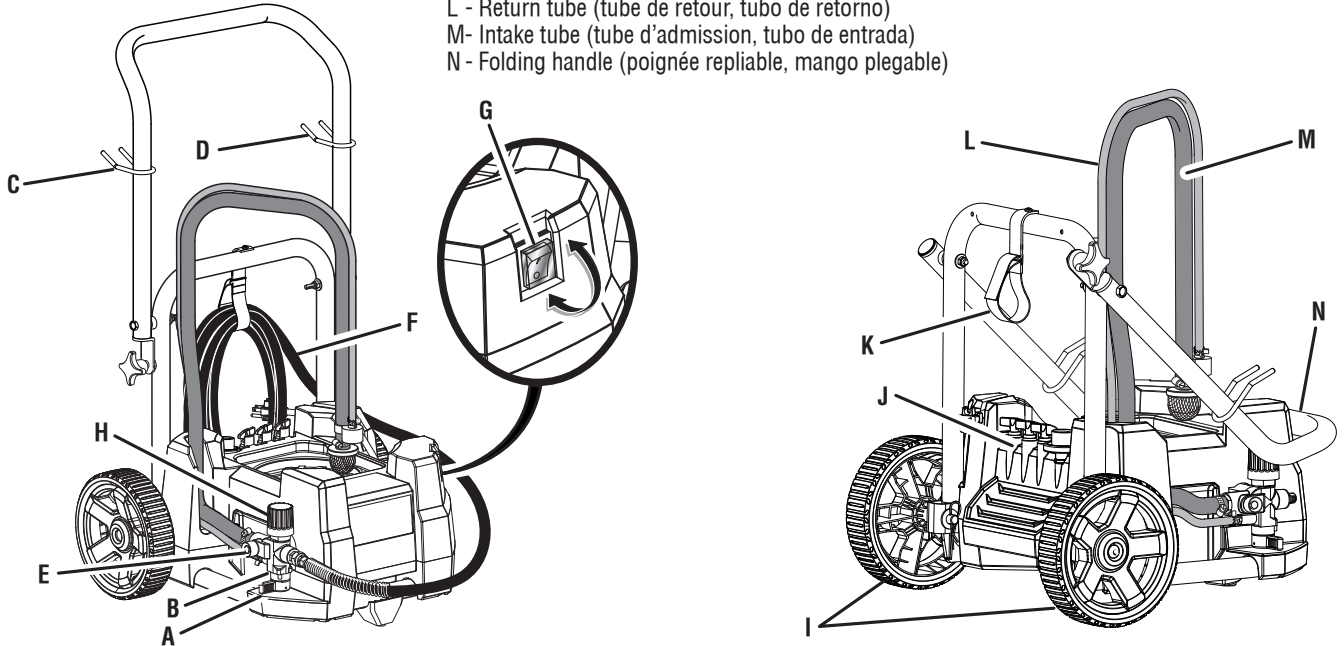
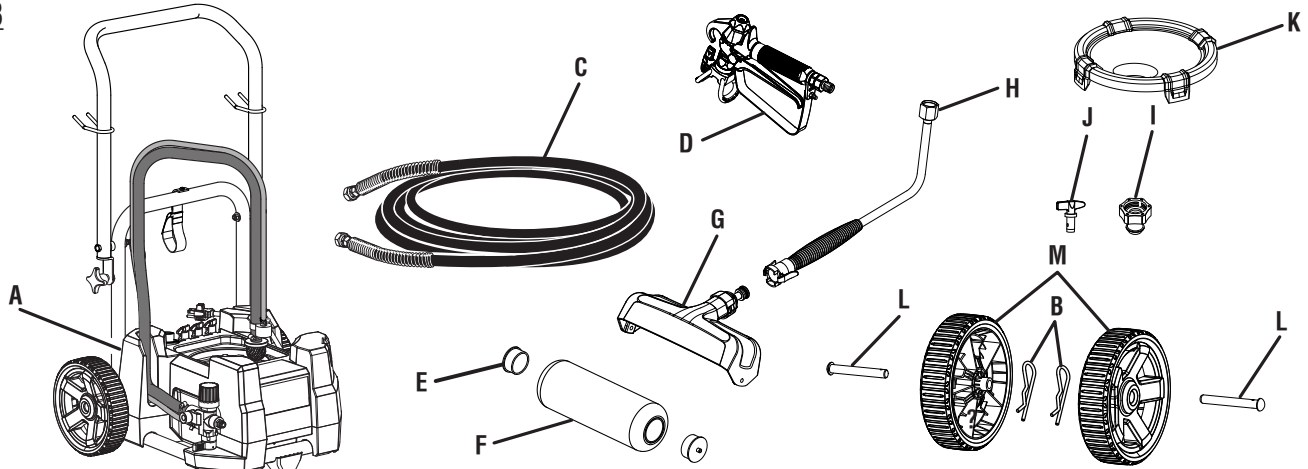
# CORRECCIÓN DE PROBLEMAS

PROBLEMA	CAUSA	POSIBLE SOLUCIÓN
El motor parece estar funcionando bien, pero la presión cae cuando se acciona la empuñadura de pistola	La punta de rociado invertible está desgastada	Reemplace la punta de rociado
	La punta de rociado está obstruida	Gire la punta de rociado 180° y rocíe para limpiar
	El tubo de succión y el filtro están flojos o dañados	Vuelva a instalar o reemplace el tubo de succión y el filtro, según sea necesario
	El filtro del rociador con empuñadura de pistola está obstruido	Limpié o reemplace el filtro del rociador con empuñadura de pistola
	El material que se está rociando es demasiado espeso	Siga las instrucciones del fabricante del material para diluir el material, según sea necesario
	La válvula de entrada está dañada o desgastada	Cambie la válvula de entrada
	El tubo de entrada está flojo	Apriete el tubo de entrada
La palanca de cebado/rociado está configurada para rociar pero sale pintura a través del tubo de cebado	La palanca de cebado/rociado está sucia o dañada	Comuníquese con un centro de servicio autorizado
El rociador con empuñadura de pistola fugas	Pulverizador partes internas están gastados o dañados	Comuníquese con un centro de servicio autorizado
La protección para la punta de la boquilla tiene fugas	La protección para la punta de la boquilla o la punta de rociado fueron armadas de manera incorrecta	Vuelva a armarlas según las instrucciones de armado de la protección para la punta de la boquilla y de la punta de rociado
El rociador con empuñadura de pistola no rocía	La punta de rociado está obstruida	Gire la punta de rociado 180° y rocíe para limpiarla
	El filtro del rociador con empuñadura de pistola está obstruido	Limpié o reemplace el filtro del rociador con empuñadura de pistola
	La punta de rociado no está asentada completamente dentro de la protección para la punta de la boquilla	Vuelva a armar según las instrucciones de armado de la protección para la punta de la boquilla y de la punta de rociado
El patrón de pintura es débil o desparejo	La presión está configurada en baja.	Gire la perilla de presión alta/baja hacia la derecha para aumentar la presión
	El rociador con empuñadura de pistola o el filtro del tubo de entrada está obstruido	Limpié o reemplace los filtros
	El tubo de entrada está flojo en la válvula de entrada	Apriete el adaptador del tubo
	La punta de rociado está desgastada	Reemplace la punta de rociado
	El material que se está rociando es demasiado espeso.	Siga las instrucciones del fabricante del material para diluir el material, según sea necesario
	Pérdida de presión	Vea la causa/las posibles soluciones en <b>“La configuración de presión es demasiado baja”</b> y <b>“El motor parece estar funcionando bien, pero la presión cae cuando se acciona la empuñadura de pistola”</b>

**Fig. 1**

- A - Grounding pin (mise à la terre broche, patilla de conexión a tierra)  
 B - GFCI receptacle (disjoncteur de fuite à la terre, receptáculos con GFCIs)

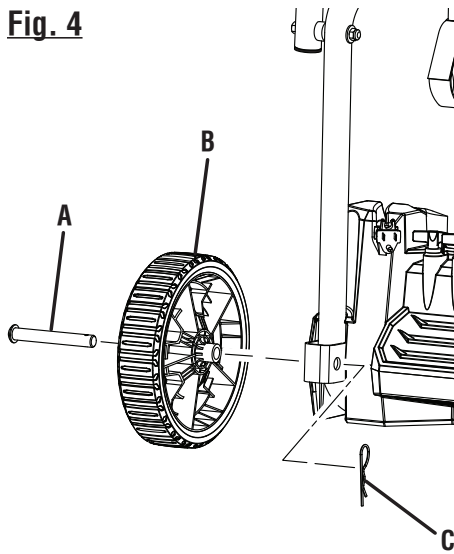
- A - Pump (pompe, bomba)  
 B - Prime/spray lever (Levier « prime/spray » (amorçage/pulvérisation), palanca de cebado/rociado)  
 C - Roller hook (crochet du rouleau, gancho del rodillo)  
 D - Pistol-grip sprayer hook (crochet du pistolet de pulvérisation, gancho del rociador con empuñadura de pistola)  
 E - Manual valve release button (bouton de la soupape de décharge manuelle, botón de liberación de válvula manual)  
 F - 25 ft. Grounded high pressure hose [tuyau flexible haute pression mis à la terre de 7,62 m (25 pi), manguera de alta presión con conexión a tierra de 7,62 m (25 pies)]  
 G - (I) ON / (O) OFF switch (interrupteur marche/arrêt, interruptor de encendido/apagado)  
 H - HIGH/LOW pressure control (Régulateur de pression « HIGH/LOW » (élevée/faible), control de presión ALTA/BAJA)  
 I - Wheels (roues, ruedas)  
 J - Accessory storage (compartiment pour accessoires, lugar para guardar accesorios)  
 K - High pressure hose storage (Compartiment pour tuyau flexible haute pression, lugar para manguera de alta presión con conexión)  
 L - Return tube (tube de retour, tubo de retorno)  
 M - Intake tube (tube d'admission, tubo de entrada)  
 N - Folding handle (poignée repliable, mango plegable)

**Fig. 2****Fig. 3**

- A - Paint station (station de peinture, estación de pintura)  
 B - Hitch pin (goupille de sûreté, pasador del enganche)  
 C - 25 ft. grounded high pressure hose (tuyau flexible haute pression mis à la terre de 7,62 m [25 pi], manguera de alta presión con conexión a tierra de 7,62 m [25 pies])  
 D - Pistol-grip sprayer with nozzle tip guard (pistolet de pulvérisation avec protecteur d'embout, rociador con empuñadura de pistola con protección para la punta de la boquilla)  
 E - Roller cap (capuchon du rouleau, tapa del rodillo)  
 F - 9 in. roller (rouleau de 228,6 mm [9 po], rodillo de 228,6 mm [9 pulg.] )  
 G - Roller head (tête du rouleau cabezal del rodillo)

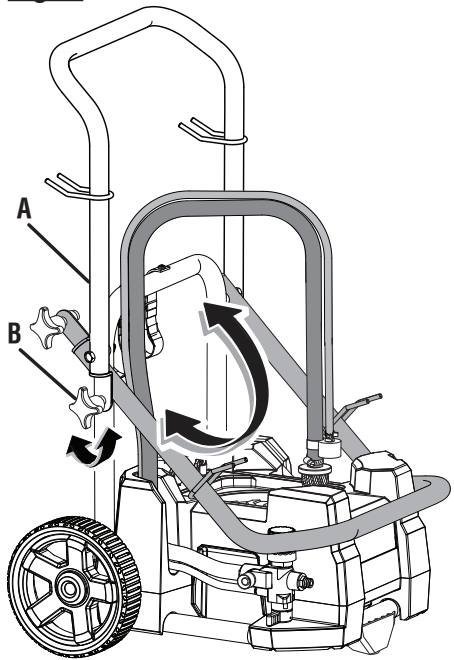
- H - Roller handle (poignée du rouleau, mango del rodillo)  
 I - Garden hose attachment (accessoire du boyau d'arrosage, accesorio para manguera de jardín)  
 J - 515 Reversible spray tip (embout de pulvérisation réversible 515, punta de rociado invertible 515)  
 K - Paint container lid (couvercle du contenant de peinture, tapa del contenedor de pintura)  
 L - Axle (essieu, eje)  
 M - Wheel (roue, rueda)

**Fig. 4**



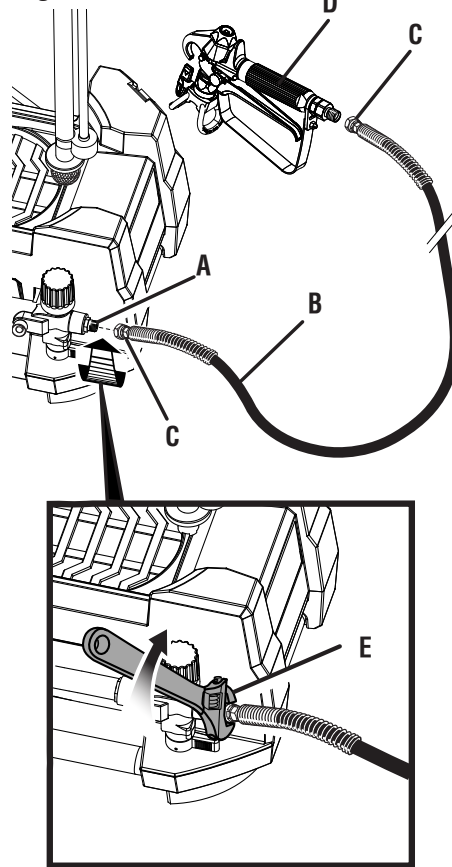
- A - Axle (essieu, eje)
- B - Wheel (roue, rueda)
- C - Hitch pin (goupille de sûreté, pasador del enganche)

**Fig. 5**



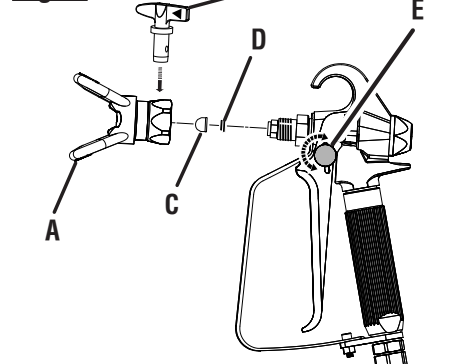
- A - Handle (poignée, mango)
- B - Handle knob (bouton de poignée, perilla de la barra del mango)

**Fig. 6**



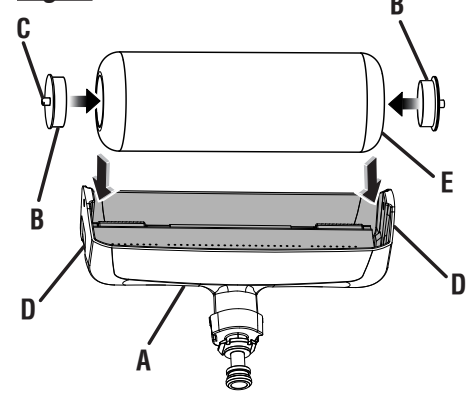
- A - Spray hose outlet (sortie du tuyau de pulvérisation, salida de la manguera para rociar)
- B - High pressure hose (tuyau flexible pression, manguera de alta presión con conexión)
- C - Hose collar (collier du tuyau flexible, collar de la manguera)
- D - Pistol-grip sprayer (pistolet de pulvérisation, rociador con empuñadura de pistola)
- E - Adjustable wrench (clé à ouverture réglable, llave ajustable)

**Fig. 7**



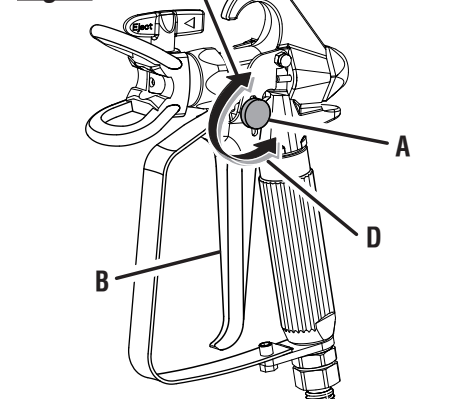
- A - Nozzle tip guard (protecteur d'embout, protección para la punta de la boquilla)
- B - Reversible spray tip (embout de pulvérisation réversible, punta de rociado invertible)
- C - Nozzle seat (siège de la buse, asiento de la boquilla)
- D - Cap (capuchon, tapa)
- E - Lock-off thumbscrew (vis de verrouillage à serrage à main, tornillo de mariposa de seguro de apagado)

**Fig. 8**



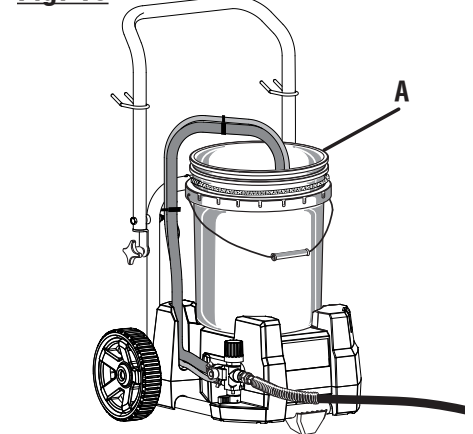
- A - Roller head (tête du rouleau, cabezal del rodillo)
- B - Roller cap (capuchon du rouleau, tapa del rodillo)
- C - Pin (goupille, pasador)
- D - Slot (fente, ranura)
- E - Roller (rouleau, rodillo)

**Fig. 9**

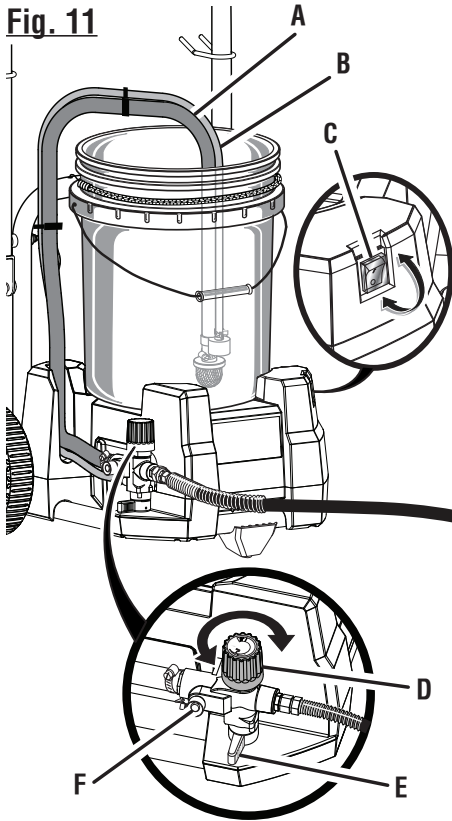


- A - Lock-off thumbscrew (vis de verrouillage à serrage à main, tornillo de mariposa de seguro de apagado)
- B - Trigger (gâchette, gatillo)
- C - Spray (pulvérisation, rociado)
- D - Lock-off (verrou, seguro de apagado)

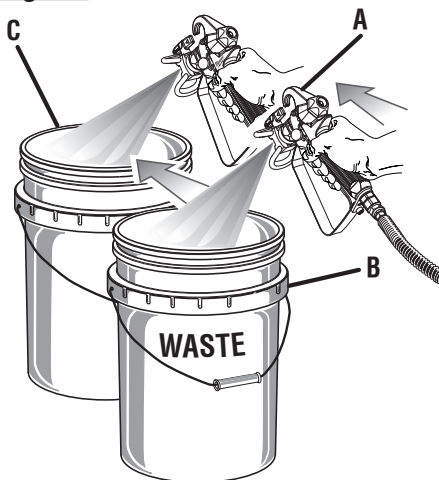
**Fig. 10**



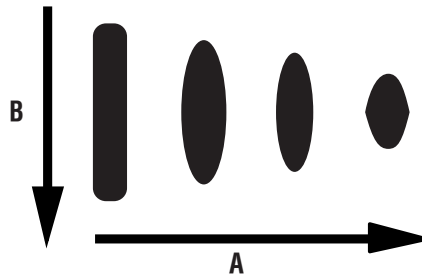
- A - 5 gallon paint container (réservoir de peinture de 18,93 l (3,5 gal), estación de pintura con contenedor de 18,93 l (5 gal.))

**Fig. 11**

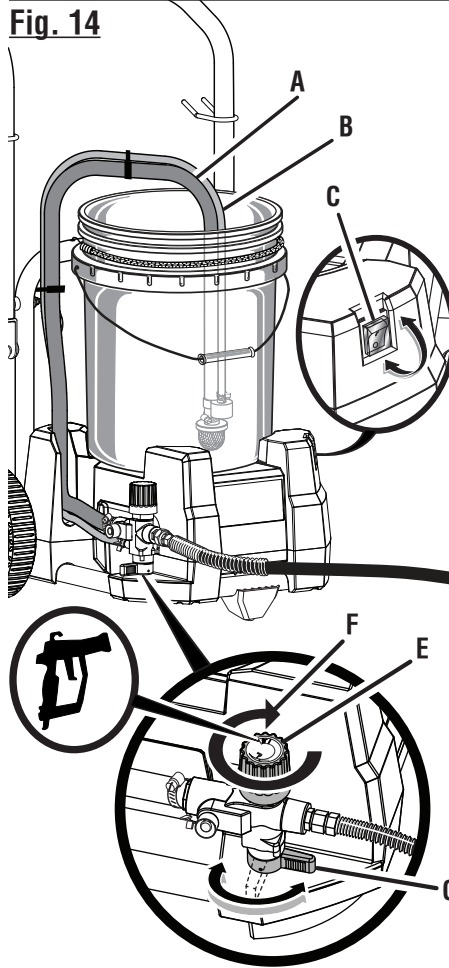
- A - Intake tube (tube d'admission, tubo de entrada)
- B - Return tube (tube de retour, tubo de retorno)
- C - On/Off switch (interrupteur marche/arrêt, interruptor de encendido/apagado)
- D - HIGH/LOW pressure control (régulateur de pression « HIGH/LOW », (élevée/faible), control de presión ALTA/BAJA)
- E - PRIME/SPRAY lever (levier « prime/spray » [amorçage/pulvérisation], palanca de cebado/rociado)
- F - Manual valve release button (bouton de la soupape de décharge manuelle, botón de liberación de válvula manual)

**Fig. 12**

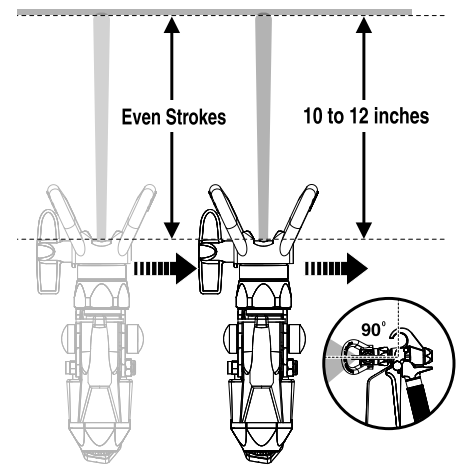
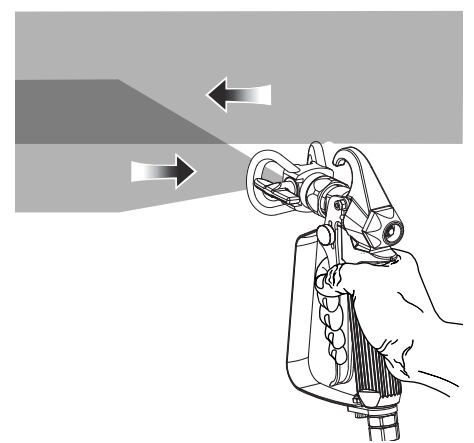
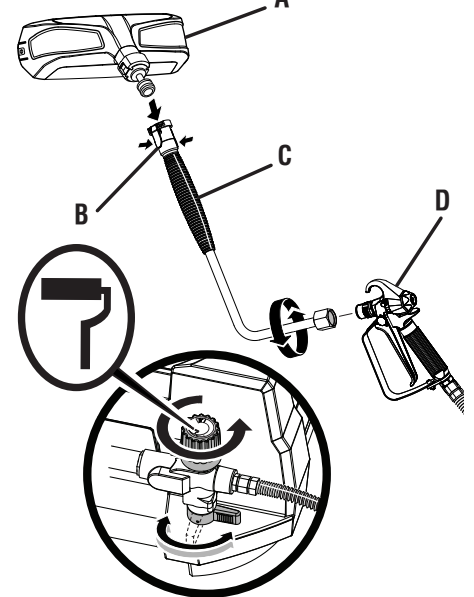
- A - Pistol-grip sprayer (pistolet de pulvérisation, rociador con empuñadura de pistola)
- B - Waste container (contenant à déchets, contenedor de desechos)
- C - Paint container (contenant de peinture, contenedor de pintura)

**Fig. 13**

- A - Orifice size increases (la taille d'orifice augmente, el tamaño del orificio aumenta)
- B - Fan width decreases (la largeur de ventilateur diminue, anchura del ventilador disminuye)

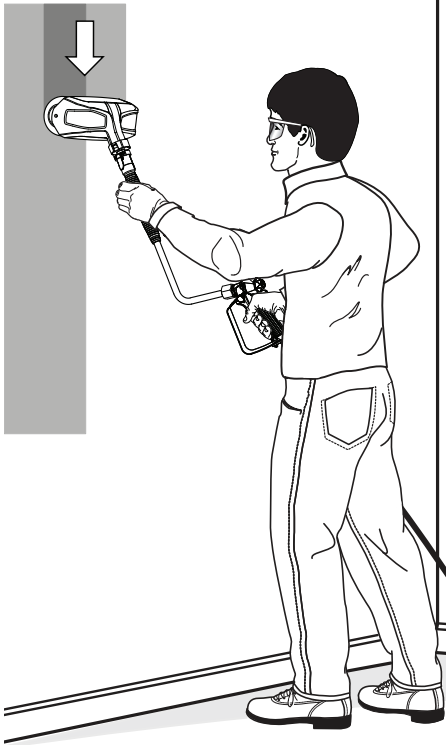
**Fig. 14**

- A - Intake tube (tube d'admission, tubo de entrada)
- B - Return tube (tube de retour, tubo de retorno)
- C - Paint container lid (couverture du contenant de peinture, tapa del contenedor de pintura)
- D - On/Off switch (interrupteur marche/arrêt, interruptor de encendido/apagado)
- E - HIGH/LOW pressure control [régulateur de pression « HIGH/LOW », (élevée/faible) control de presión ALTA/BAJA]
- F - High pressure (pression élevée, presión alta)
- G - PRIME/SPRAY lever [levier « prime/spray » (amorçage/pulvérisation), palanca de cebado/rociado]

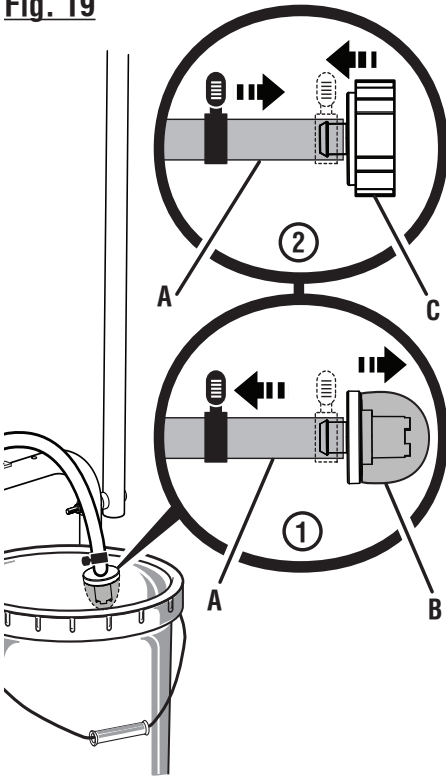
**Fig. 15****Fig. 16****Fig. 17**

- A - Roller head (tête du rouleau, cabezal del rodillo)
- B - Latches (attaches, pestillos)
- C - Roller handle (tête du rouleau, mango del rodillo)
- D - Pistol-grip sprayer (pistolet de pulvérisation, rociador con empuñadura de pistola)

**Fig. 18**

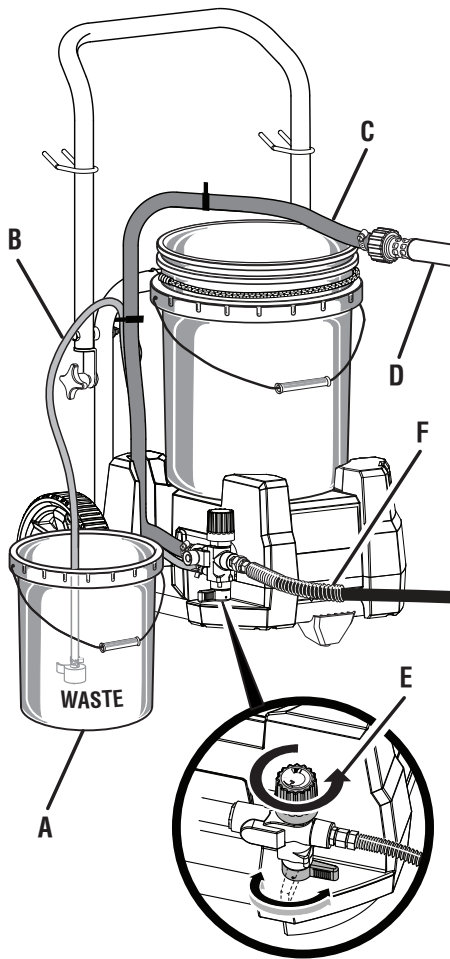


**Fig. 19**



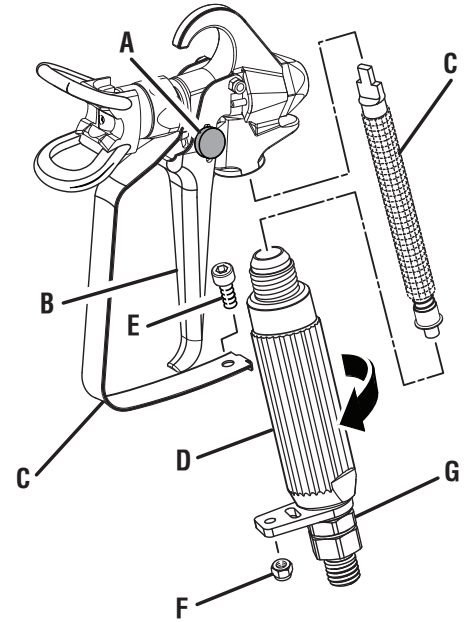
- A - Intake tube (tube d'admission, tubo de entrada)
- B - Filter (filtre, filtro)
- C - Garden hose attachment (accessoire du boyau d'arrosage, accesorio para manguera de jardin)

**Fig. 20**



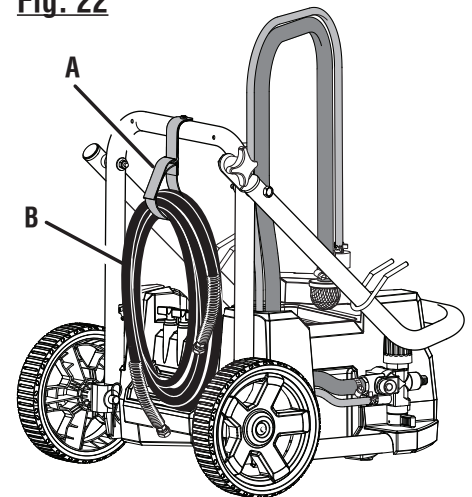
- A - Waste container (contenant à déchets, contenedor de desechos)
- B - Return tube (tube de retour, tubo de retorno)
- C - Intake tube (tube d'admission, tubo de entrada)
- D - Garden hose (tuyau d'arrosage, manguera de jardin)
- E - Low pressure (flexible basse pression, presión baja)
- F - High pressure hose (tuyau de pression, manguera de alta presión)

**Fig. 21**



- A - Lock-off thumbscrew (vis de blocage de la gâchette, tornillo de mariposa de seguro de apagado)
- B - Trigger guard (protection de gâchette, protección del gatillo)
- C - Filter (filtre, filtro)
- D - Sprayer handle (poignée de pulvérisateur, mango del rociador)
- E - Hex socket screw (tornillo de cabeza, hexagonal hueca)
- F - Lock nut (écrou de blocage, tuerca de seguridad)
- G - Sprayer nut (écrou de pulvérisateur, tuerca del rociador)

**Fig. 22**



- A - Hook and loop straps (sangle à boucles et crochets, correas de gancho y lazada)
- B - High pressure hose (tuyau flexible haute pression, manguera de alta presión)



## OPERATOR'S MANUAL / PAINT STATION TOOL

### MANUEL D'UTILISATION / STATION DE PEINTURE

### MANUAL DEL OPERADOR / ESTACIÓN DE PINTURA

#### • PARTS AND SERVICE

Prior to requesting service or purchasing replacement parts, please obtain your model and serial number from the product data plate.

- MODEL NUMBER \_\_\_\_\_
- SERIAL NUMBER \_\_\_\_\_

#### • HOW TO OBTAIN REPLACEMENT PARTS:

Replacement parts can be purchased online at [www.ryobitools.com](http://www.ryobitools.com) or by calling 1-800-525-2579. Replacement parts can also be obtained at one of our Authorized Service Centers.

#### • HOW TO LOCATE AN AUTHORIZED SERVICE CENTER:

Authorized Service Centers can be located online at [www.ryobitools.com](http://www.ryobitools.com) or by calling 1-800-525-2579.

#### • HOW TO OBTAIN CUSTOMER OR TECHNICAL SUPPORT:

To obtain Customer or Technical Support please contact us at 1-800-525-2579.

RYOBI is a registered trademark of Ryobi Limited and is used pursuant to a license granted by Ryobi Limited.

#### • PIÈCES ET SERVICE

Avant de faire la demande de service ou l'achat de pièces de remplacement, veuillez obtenir le numéro de série du modèle à partir de la plaque de données du produit.

- NUMÉRO DE MODÈLE \_\_\_\_\_
- NUMÉRO DE SÉRIE \_\_\_\_\_

#### • COMMENT OBTENIR LES PIÈCES DE REMPLACEMENT :

Les pièces de remplacement peuvent être achetées en ligne sur le site [www.ryobitools.com](http://www.ryobitools.com) ou par téléphone au 1-800-525-2579. Les pièces de remplacement peuvent être obtenues à un de nos centres de service autorisés.

#### • COMMENT TROUVER UN CENTRE DE SERVICE AUTORISÉ :

Les centres de service autorisés peuvent être localisés en ligne au [www.ryobitools.com](http://www.ryobitools.com) ou en téléphonant au 1-800-525-2579.

#### • COMMENT OBTENIR DE L'AIDE EN CONTACTANT LE SERVICE À LA CLIENTÈLE :

Pour contacter le service à la clientèle pour une question technique ou pour tout autre renseignement, veuillez nous téléphoner au 1-800-525-2579.

RYOBI est une marque déposée de RYOBI Limited et est utilisée en vertu d'une licence accordée par Ryobi Limited.

#### • PIEZAS DE REPUESTO Y SERVICIO

Antes de solicitar servicio técnico o comprar piezas de repuesto, obtenga su modelo y número de serie de la placa de datos del producto.

- NÚMERO DE MODELO \_\_\_\_\_
- NÚMERO DE SERIE \_\_\_\_\_

#### • CÓMO OBTENER PIEZAS DE REPUESTO:

Las piezas de repuesto se pueden comprar en nuestro sitio en la red mundial, en la dirección [www.ryobitools.com](http://www.ryobitools.com) o llamando al 1-800-525-2579. Las piezas de repuesto también se pueden obtener en uno de nuestros Centros de Servicio Autorizados.

#### • CÓMO LOCALIZAR UN CENTRO DE SERVICIO AUTORIZADO:

Puede encontrar los Centros de Servicio Autorizados visitando nuestro sitio en la red mundial, en la dirección [www.ryobitools.com](http://www.ryobitools.com) o llamando al 1-800-525-2579.

#### • CÓMO OBTENER SERVICIO O ASISTENCIA TÉCNICA AL CONSUMIDOR:

Para obtener Servicio o Asistencia Técnica al Consumidor, sírvase comunicarse con nosotros llamando al 1-800-525-2579.

RYOBI es una marca registrada de Ryobi Limited y se utiliza conforme a una licencia otorgada por Ryobi Limited.

#### ONE WORLD TECHNOLOGIES, INC.

1428 Pearman Dairy Road, Anderson, SC 29625 • Phone 1-800-525-2579

États-Unis, Téléphone 1-800-525-2579 • USA, Teléfono 1-800-525-2579

990000364

2-26-13 (REV:03)

[www.ryobitools.com](http://www.ryobitools.com)