

# REPAIR SHEET

BRAND

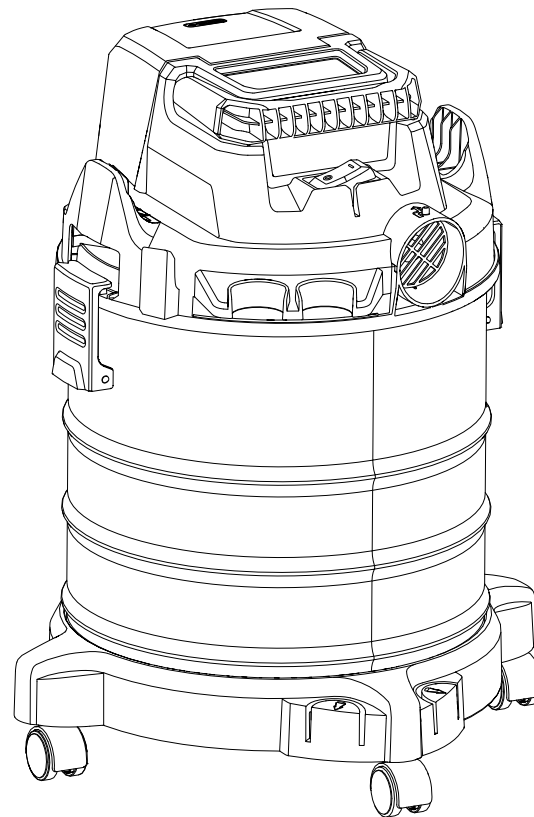
**RYOBI**

DESCRIPTION

**18 Volt Wet/Dry Vac**

MODEL/ITEM NO.

**PWV201B**



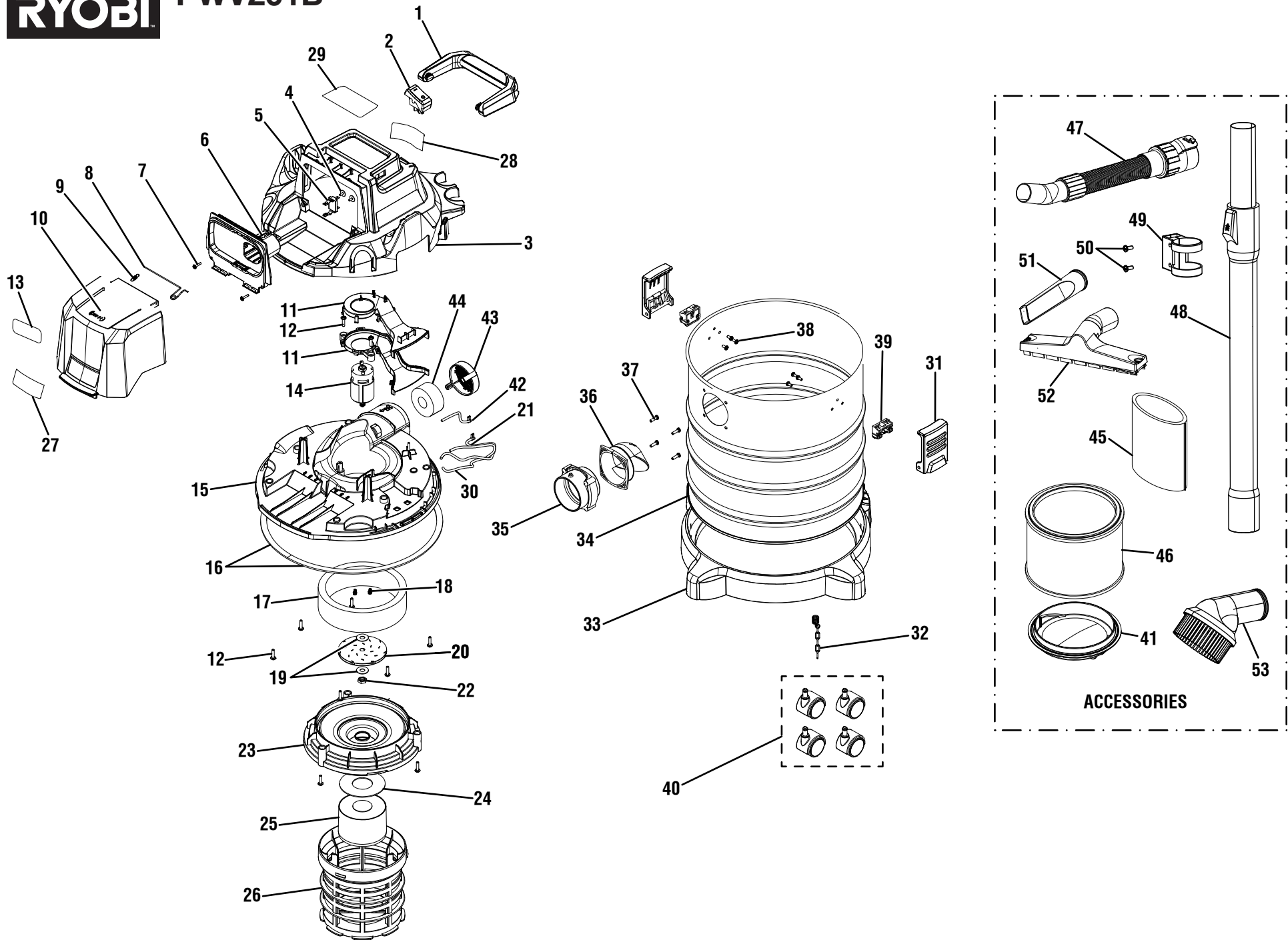
**ONE WORLD TECHNOLOGIES, INC.**

P.O. Box 1288, Anderson, SC 29622 ■ 1-800-525-2579 ■ [www.ryobitools.com](http://www.ryobitools.com)

5-27-21 (Rev:01)

*The model number and manufacturing location will be found on a label attached to the product. Always mention this information in all communications regarding this product and when ordering parts.*

# RYOBI PWV201B

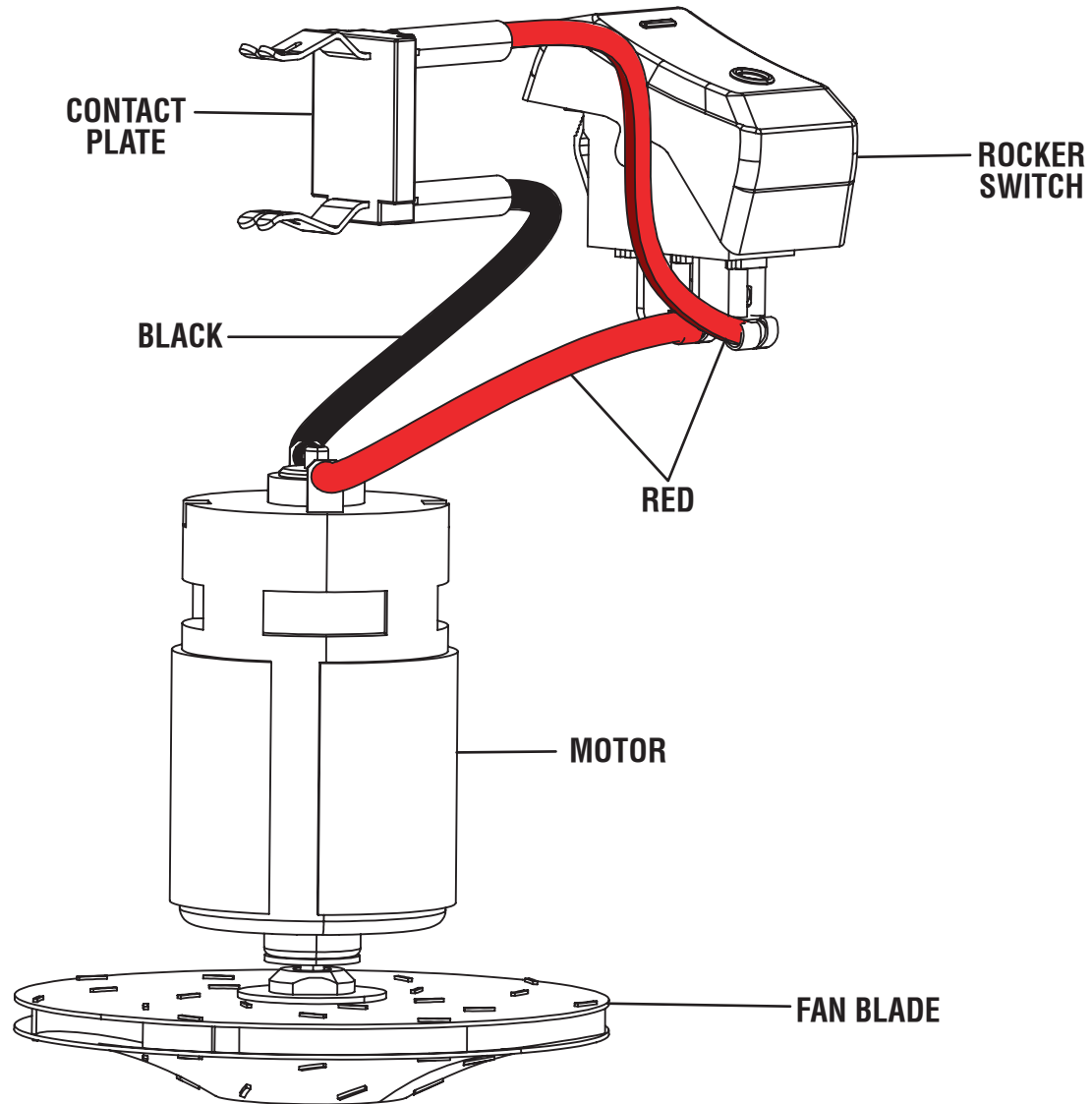


### PARTS LIST

KEY NO.	PART NO.	DESCRIPTION	QTY.
1	019071001001	Handle	1
2	019071001002	Rocker Switch	1
3	019071001003	Upper Cover	1
4	019071001004	Screw (ST2.9 x 7 mm)	2
5	019071001005	Contact Plate Holder	1
6	019071001006	Battery Chamber	1
7	019071001007	Screw (ST2.9 x 12 mm)	2
8	019071001008	Wire Shaft	1
9	019071001009	Tension Spring	1
10	019071001010	Battery Cover	1
11	019071001105	Air Director Assembly	1
12	019071001012	Screw (ST3.9 x 16 mm)	11
13	941114323	Logo Label	1
14	019071001106	Motor Assembly	1
15	019071001015	Lower Cover	1
16	019071001016	Sealing For Bottom Cover	2
17	019071001017	Air Director Sponge	1
18	019071001018	Screw (M3 x 8 mm)	2
19	019071001019	Washer	2
20	019071001020	Fan Blade	1
21	019071004001	Wire With Connect Terminals (14AWG, Red)	1

KEY NO.	PART NO.	DESCRIPTION	QTY.
22	019071001022	Nut (M8)	1
23	019071001023	Filter Top Cover	1
24	019071001024	Floater Sealing	1
25	019071001025	Floater Cup	1
26	019071001026	Filter Inter Support	1
27	01907100403K	Gallon Callout Label	1
28	01907100401K	Data/Icon Label (UL)	1
	01907100411K	Data/Icon Label (Non-UI)	1
29	01907100402K	Warning Label	1
30	019071004002	Wire (14AWG, Black)	1
31	019071001104	Lid Assembly	2
32	019071001032	Ground Chain	1
33	019071001033	Tank Support	1
34	019071001034	Tank	1
35	019071001035	Inlet Hole	1
36	019071001036	Inlet Cover	1
37	019071001037	Screw (ST3.9 x 14 mm)	4
38	019071001038	Screw (ST3.5 x 8 mm)	6
39	019071001039	Lid Support	2
40	019071001102	Caster Assembly	4
41	019071004012	Filter Cover	1

KEY NO.	PART NO.	DESCRIPTION	QTY.
42	019071004003	Wire With Connect Terminals (14AWG, RED)	1
43	019071001043	Outlet Cover	1
44	019071001044	Outlet Sponge	1
45	019071004010	Foam Filter Sponge	1
46	019071004011	Cartridge Filter	1
47	019071004004	Hose	1
48	019162001001	Telescoping Wand	1
49	019162001002	Telescoping Wand Storage Clip	1
50	019071004007	Screw (ST3.9 x 12 mm)	2
51	019071004008	Crevice Tool	1
52	019071004009	Floor Nozzle	1
53	019071001054	Dust Brush	1
	<b>Not Shown:</b>		
	998000593	Operator's Manual	1
	019071001101	Floater Assembly (Inc. Key Nos. 24-25)	1
	019071001103	Tank Assembly (Inc. Key Nos. 32-39)	1



**WIRING DIAGRAM**